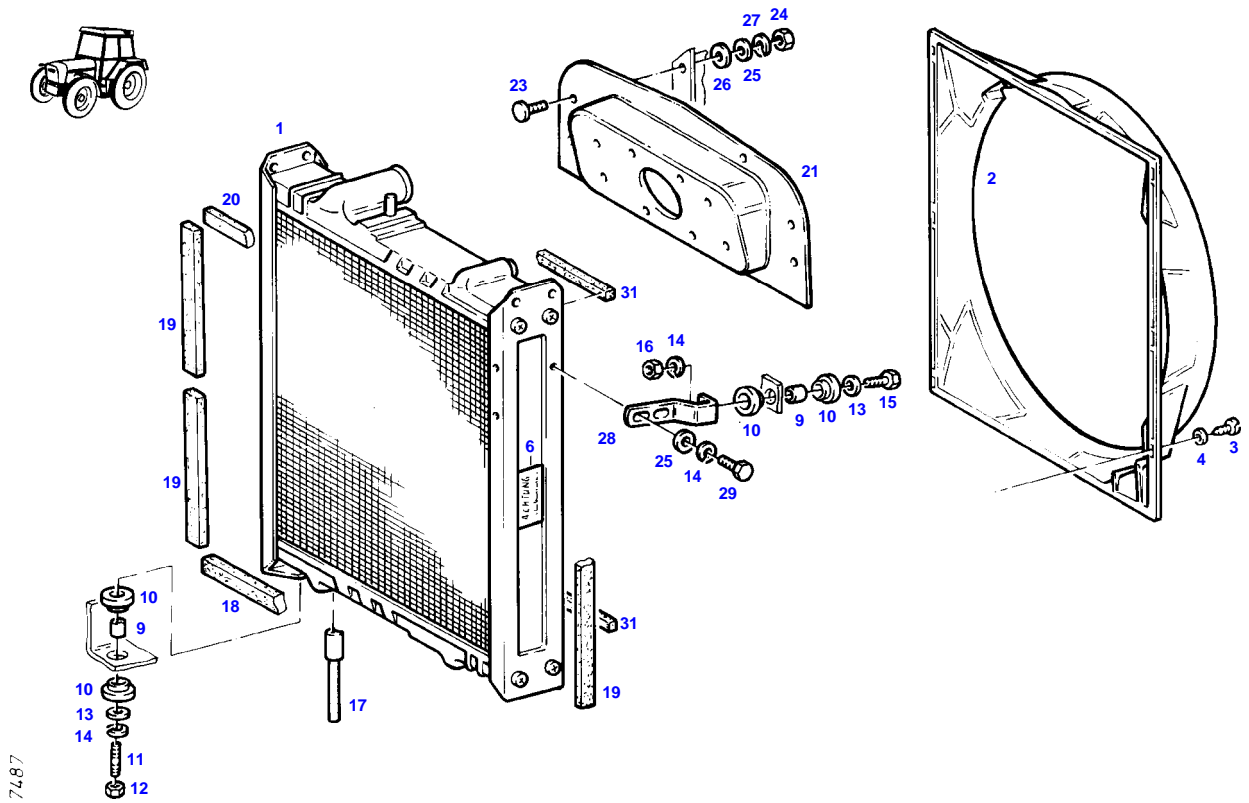


**TABLE OF CONTENT**

<b>Page Number</b>	<b>Page Title</b>	<b>Page Reference</b>
01-000-TOC	ENGINE, FUEL AND EXHAUST SYSTEM	01-000-TOC
02-000-TOC	AXLES	02-000-TOC
03-000-TOC	STEERING SYSTEM	03-000-TOC
04-000-TOC	DRIVE TRAIN SYSTEM	04-000-TOC
05-000-TOC	COMPRESSED AIR SYSTEM	05-000-TOC
06-000-TOC	HYDRAULIC SYSTEM	06-000-TOC
07-000-TOC	ELECTRICAL SYSTEM	07-000-TOC
08-000-TOC	CAB	08-000-TOC
09-000-TOC	AIR CONDITIONING AND HEATING SYSTEM	09-000-TOC
10-000-TOC	CHASSIS	10-000-TOC
11-000-TOC	WHEELS	11-000-TOC
12-000-TOC	IMPLEMENT LIFT SYSTEM FRONT	12-000-TOC
13-000-TOC	IMPLEMENT LIFT SYSTEM REAR	13-000-TOC
14-000-TOC	FRONT/REAR LOADERS	14-000-TOC
15-000-TOC	ATTACHMENTS	15-000-TOC
16-000-TOC	ACCESSORIES	16-000-TOC

FARMER 307 (175/00801-99999)  
7487



Item	Part Number	Qty	Description Comments	Technical Specification
			<-- 175/20001	
1	72348555	1	RADIATOR	
2	72395456	1	FAN COVER	
3	72315818	6	SCREW	DIN7976-ST4,2X25-C-A3L
4	72311817	6	DISC	DIN9021-4,3-140HV-A3L
6	72379109	1	MARKING PLATE	FWN66556-35X68-SCHUTZVORR.N.OE
9	72310718	4	BUSH	
10	72312479	8	UNIVERSAL SPOUT	
11	72313772	2	STUD BOLT	DIN 939 M8X30-8.8
12	72313320	2	NUT	DIN6925-M8-8-A3L
13	72311824	4	DISC	DIN9021-8,4-140HV-A3L
14	72315053	4	SPLIT WASHER	FWN 65208-8-A3L
15	72315660	2	HEXAGONAL HEAD BOLT	DIN 933 M8X35-8.8A3L
16	72313268	2	NUT	DIN 934 M8-8A3L
17	72397310	1	DRAINAGE PIPING	
18	72310182	1	STRAP	
19	72397315	4	STRAP	
20	72395459	1	STRAP	
21	72397306	1	BARRIER WALL	
23	72373806	5	TRUSS HEAD SCREW	DIN 603 M6X16-A3L
24	72313266	5	NUT	DIN 934 M6-8A3L
25	72311787	7	DISC	DIN 125-6,4-ST.A3L
26	72311788	5	DISC	DIN 125-8,4-ST.A3L
27	72315052	5	SPLIT WASHER	FWN 65208-6-A3L
28	72397309	2	HOLDER	
29	72315642	4	HEXAGONAL HEAD BOLT	DIN 933 M8 X 16-8.8A3L
31	72450560	1	SEALING STRIP 2X 470MM CUT TO LENGTH	

**<https://www.ebooklibonline.com>**

Hello dear friend!

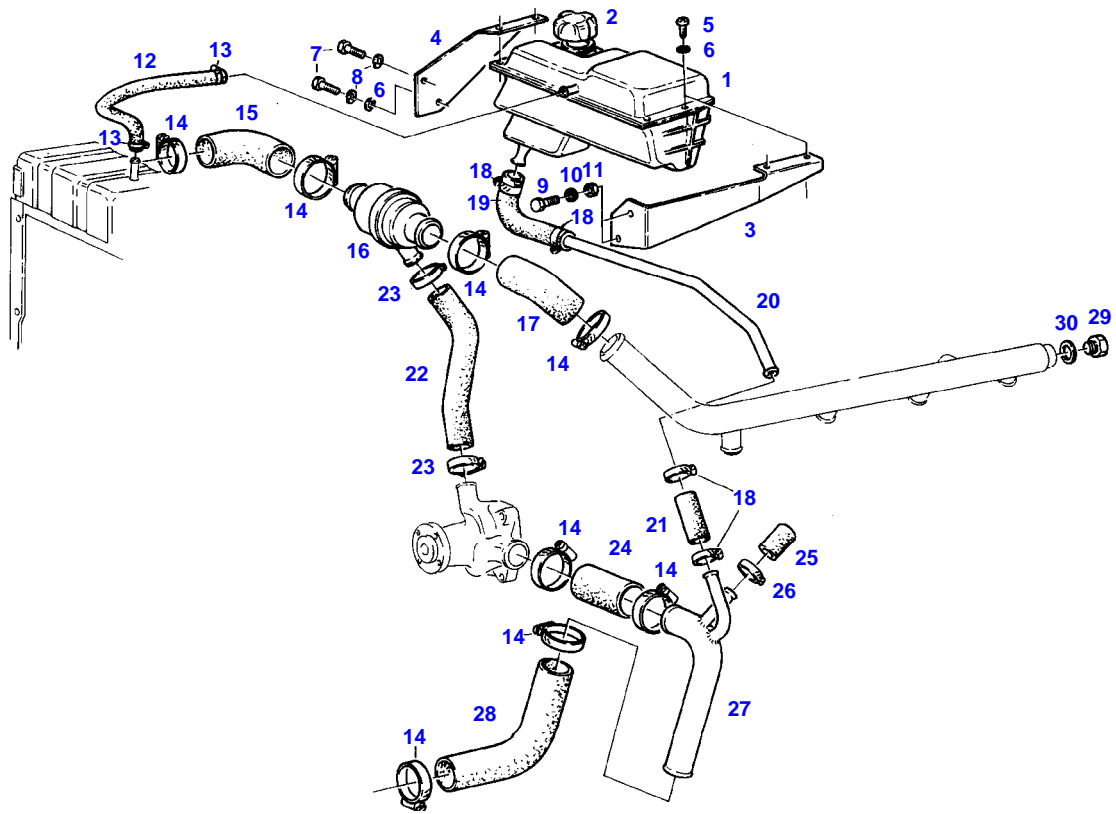
Thank you very much for reading.

Enter the link into your browser.

The full manual is available for immediate download.

**<https://www.ebooklibonline.com>**

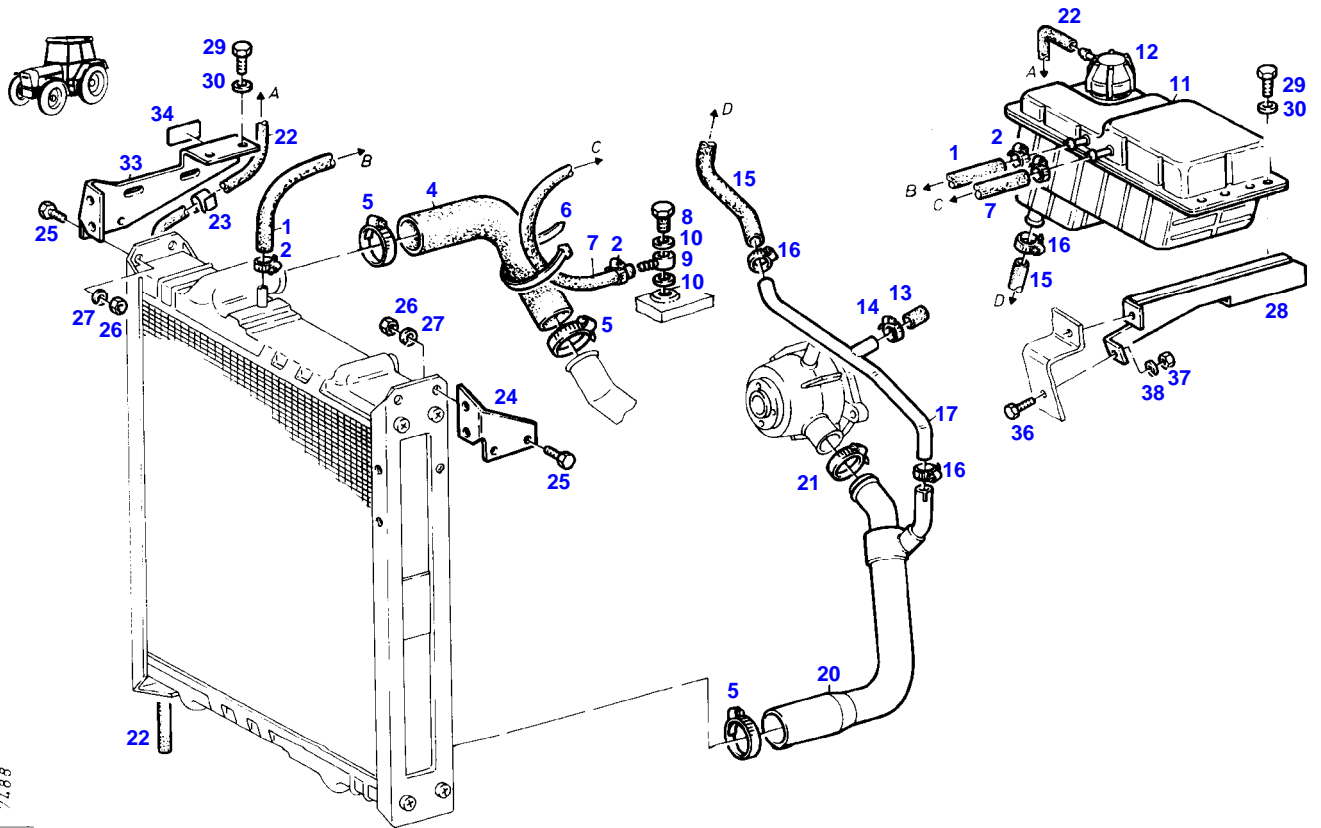
FARMER 307 (175/00801-99999)  
6336



6336

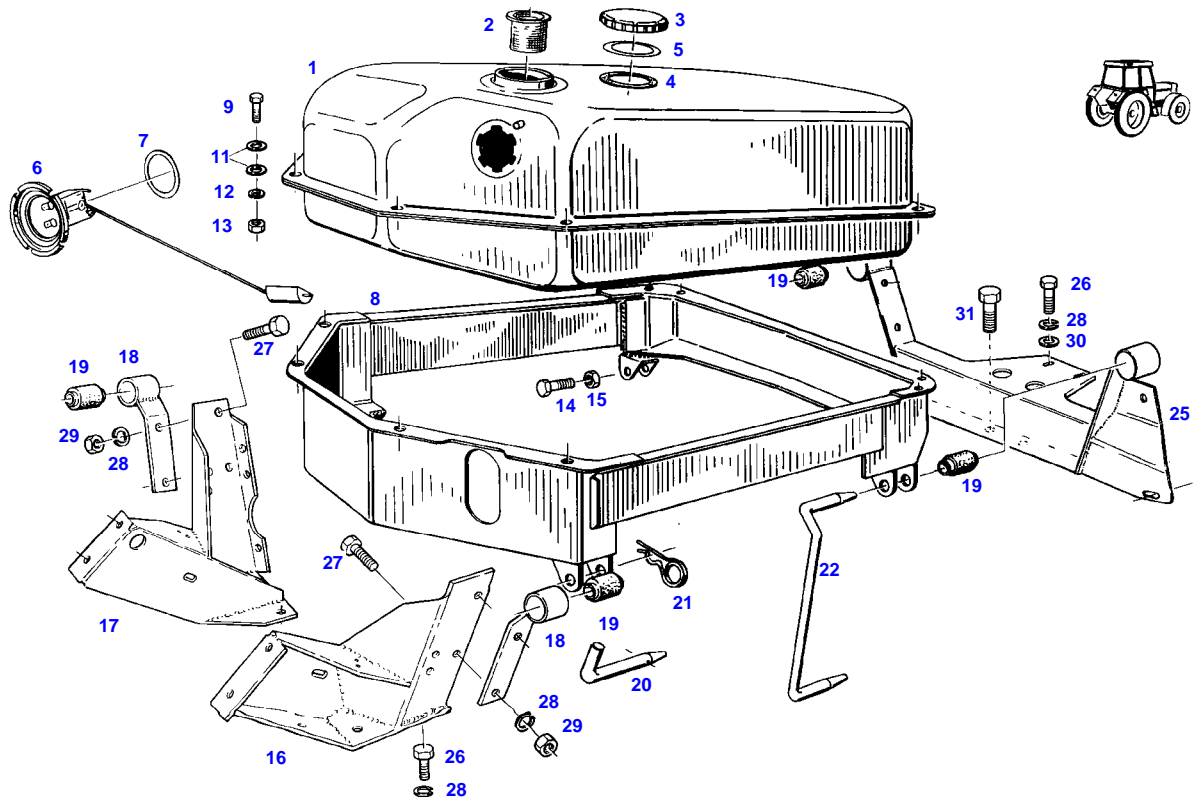
Item	Part Number	Qty	Description Comments	Technical Specification
			--> 175/20000	
1	72316897	1	EXPANSION TANK <>	
	72409370	1	CAP	
	72438345	1	HOSE CLIP	
2	72348672	1	COLLER LOCKING	
3	72392987	1	BRACKET AIR BRAKE SUPPLY EQUIPEMENT RANGE OF TEMPERATURE 1+2 / 1+2 WITH AIR BRAKE SUPPLY EQUIPEMENT	
	72395450	1	BRACKET TEMP.RANGE 1 WITH AIR CONDITION RANGE OF TEMPERATURE 1+2 WITH AIR TEMP.RANGE 1 WITH AIR CONDITION KLIMAAANLAGE 1 M.KLIMAAANLAGE	
4	72392988	1	BRACKET	
5	72315821	4	SCREW	DIN7976-ST6,3X19-C-A3L
6	72311822	5	DISC	DIN9021-6,4-140HV-A3L
7	72315629	2	HEXAGONAL HEAD BOLT	DIN 933 M6 X 12-8.8A3L
8	72315052	2	SPLIT WASHER	FWN 65208-6-A3L
9	72315642	2	HEXAGONAL HEAD BOLT	DIN 933 M8 X 16-8.8A3L
10	72315053	2	SPLIT WASHER	FWN 65208-8-A3L
11	72313268	2	NUT	DIN 934 M8-8A3L
12	72622024	1	PRESSURE HOSE 1X 185MM CUT TO LENGTH	L=0,50M 8X3,5-FWN65911
13	72438345	2	HOSE CLIP	
14	72311162	8	HOSE CLIP	
15	72393666	1	RUBBER ARCH	
16	72380193	1	THERMOSTAT	75GR+-2GR
17	72392140	1	RUBBER ARCH	
18	72311166	4	HOSE CLIP	
19	72435869	1	RUBBER ARCH	
20	72392830	1	PIPE	
21	72450412	1	HOSE 1X 50MM CUT TO LENGTH	L=1000 18X3,5 R DIN 73411
22	72436027	1	HOSE 1X 120MM CUT TO LENGTH	L=320 DIN73411-25X3,5 R
23	72311167	2	HOSE CLIP	
24	72393672	1	REDUCER	
25	72404925	1	CAP	
26	72311166	1	HOSE CLIP	
27	72357308	1	SUCTION LINE	
28	72395412	1	RUBBER ARCH	
29	72315802	1	SCREW	DIN 7604 AM22X1,5-ST
30	72315101	1	SEALING WASHER	DIN 7603 A22X27-CU

FARMER 307 (175/00801-99999)  
7488



Item	Part Number	Qty	Description Comments	Technical Specification
			<-- 175/20001	
1	72622024	1	PRESSURE HOSE 190 MM CUT TO LENGTH	L=0,50M 8X3,5-FWN65911
2	72438345	4	HOSE CLIP	
4	72395457	1	RUBBER ARCH	
5	72311170	3	HOSE CLIP	
6	72316915	1	CABLE STRAP	FWN 66650 B290X4,8-SW
7	72450289	1	PRESSURE HOSE 510 MM CUT TO LENGTH	L=550 FWN 66041-M4
8	72315806	1	BANJO BOLT	DIN 7643-6-3-A3L
9	72377528	1	RING HOSE NIPPLE	FWN65910-A-DN4
10	72315088	2	SEALING WASHER	DIN 7603 A10X13,5-CU
11	72316897	1	EXPANSION TANK	
12	72310924	1	COLLER LOCKING	
13	72404925	1	CAP	
14	72311166	1	HOSE CLIP	
15	72435869	1	RUBBER ARCH	
16	72311166	3	HOSE CLIP	
17	72357764	1	PIPE	
20	72395458	1	COOLANT LINE	
21	72311162	1	HOSE CLIP	
22	72442422	1	HOSE 1000 MM CUT TO LENGTH	L=1500MM
23	72312049	3	HOSE RETAINER	
24	72397308	1	RETAINER	
25	72315642	2	HEXAGONAL HEAD BOLT	DIN 933 M8 X 16-8.8A3L
26	72313268	6	NUT	DIN 934 M8-8A3L
27	72315053	6	SPLIT WASHER	FWN 65208-8-A3L
28	72397312	1	BRACKET	
29	72315821	4	SCREW	DIN7976-ST6,3X19-C-A3L
30	72311822	6	DISC	DIN9021-6,4-140HV-A3L
33	72395461	1	RETAINER	
34	72397318	1	MARKING PLATE	
36	72315629	1	HEXAGONAL HEAD BOLT	DIN 933 M6 X 12-8.8A3L
37	72313266	1	NUT	DIN 934 M6-8A3L
38	72315052	1	SPLIT WASHER	FWN 65208-6-A3L

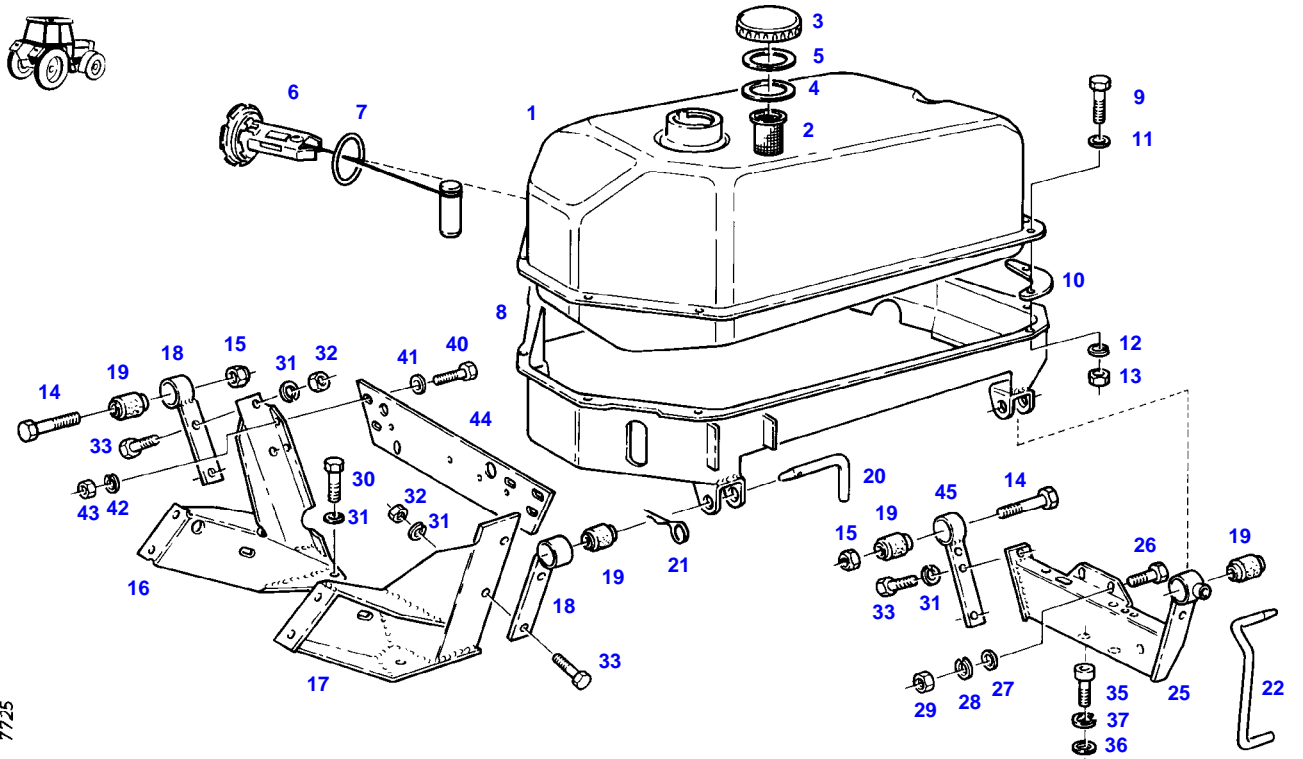
FARMER 307 (175/00801-99999)  
5179



5179

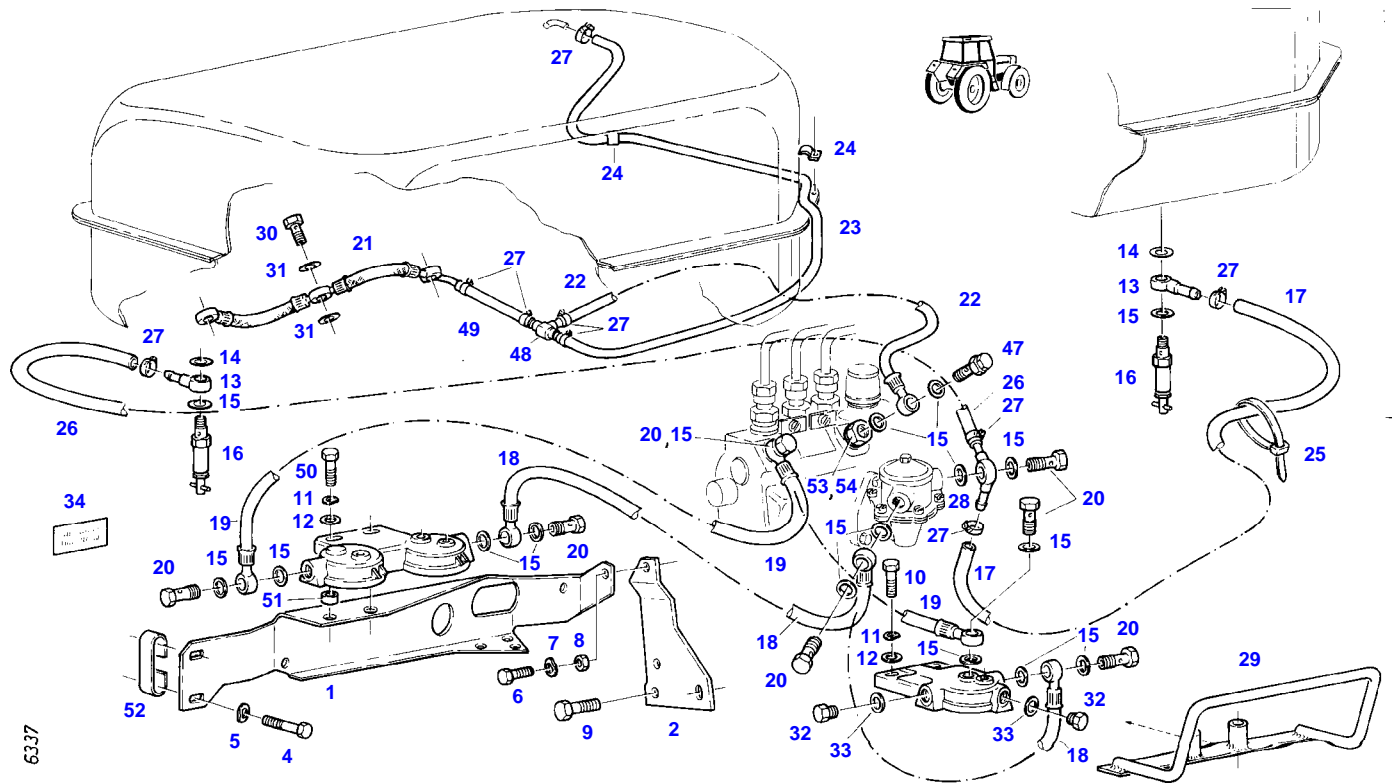
Item	Part Number	Qty	Description Comments	Technical Specification
			--> 175/20000	
1	72348236	1	FUEL TANK <>	
	72348556	1	FUEL LEVEL SENSOR	
2	72433112	1	STRAINER	60X100-MS
3	72380143	1	FUEL CAP KOEHLER ><4	M.BELUEF
	72348297	1	FUEL CAP LOCKABLE BLAU ><4+5	
4	72330725	1	SEAL BLAU	
	72312304	1	RUBBER SEAL KOEHLER	
5	72330726	1	SEAL BLAU	
6	72613041	1	FUEL LEVEL SENSOR ><7	
7	72315169	1	SEALING WASHER	
8	72355536	1	TANK FRAME	
9	72315626	8	HEXAGONAL HEAD BOLT	DIN 933-M6 X 16-8.8-A3L
11	72311822	16	DISC	DIN9021-6,4-140HV-A3L
12	72315052	8	SPLIT WASHER	FWN 65208-6-A3L
13	72313266	8	NUT	DIN 934 M6-8A3L
14	72315719	2	HEXAGONAL HEAD BOLT	DIN 933 M12X60-8.8A3L
15	72313325	2	NUT	DIN 980-VM12-8-A3L
16	72355440	1	BRACKET	
17	72355441	1	BRACKET	
18	72356758	2	SUPPORT ARM	
19	72310644	4	RUBBER BUSHING	
20	72404932	2	BEARING PIN	
21	72311183	2	HAIR COTTER PIN	DIN 11024-4-A3L
22	72393676	1	BEARING PIN	
25	72355727	1	CROSSMEMBER	
26	72315642	8	HEXAGONAL HEAD BOLT	DIN 933 M8 X 16-8.8A3L
27	72315653	4	HEXAGONAL HEAD BOLT	DIN 933 M8 X 25-8.8A3L
28	72315053	12	SPLIT WASHER	FWN 65208-8-A3L
29	72313268	4	NUT	DIN 934 M8-8A3L
30	72311788	2	DISC	DIN 125-8,4-ST.A3L
31	72315675	2	HEXAGONAL HEAD BOLT	DIN 933 M10X16-8.8A3L

FARMER 307 (175/00801-99999)  
7725



Item	Part Number	Qty	Description Comments	Technical Specification
			<-- 175/20001	
1	72348236	1	FUEL TANK	
2	72433112	1	STRAINER	60X100-MS
3	72380143	1	FUEL CAP KOEHLER	M.BELUEF
	72348297	1	><4 FUEL CAP LOCKABLE BLAU	
			><4+5	
4	72330725	1	SEAL BLAU	
	72312304	1	RUBBER SEAL KOEHLER	
5	72330726	1	SEAL BLAU	
6	72348556	1	FUEL LEVEL SENSOR ><7 <-- G148.200.060.011	
7	72315169	1	SEALING WASHER	
8	72355536	1	TANK FRAME	
9	72315626	8	HEXAGONAL HEAD BOLT	DIN 933-M6 X 16-8.8-A3L
10	72393006	2	SHEET METAL	
11	72311822	16	DISC	DIN9021-6,4-140HV-A3L
12	72315052	8	SPLIT WASHER	FWN 65208-6-A3L
13	72313266	8	NUT	DIN 934 M6-8A3L
14	72315719	2	HEXAGONAL HEAD BOLT	DIN 933 M12X60-8.8A3L
15	72313325	2	NUT	DIN 980-VM12-8-A3L
16	72355440	1	BRACKET	
17	72355441	1	BRACKET	
18	72356758	2	SUPPORT ARM	
19	72310644	4	RUBBER BUSHING	
20	72407288	2	BEARING PIN	
21	72311183	2	HAIR COTTER PIN	DIN 11024-4-A3L
22	72393681	1	BEARING PIN	
25	72357771	1	CROSSMEMBER	
26	72315689	2	HEXAGONAL HEAD BOLT	DIN 933 M10X35-8.8A3L
27	72311789	2	DISC	DIN 125-10,5-ST.A3L
28	72317122	2	SPRING WASHER	DIN 137 B10-MECH.VZK
29	72313272	2	NUT	DIN 934 M10-8A3L
30	72315642	6	HEXAGONAL HEAD BOLT	DIN 933 M8 X 16-8.8A3L
31	72315053	12	SPLIT WASHER	FWN 65208-8-A3L
32	72313268	4	NUT	DIN 934 M8-8A3L
33	72315653	4	HEXAGONAL HEAD BOLT	DIN 933 M8 X 25-8.8A3L
35	72374066	2	SOCKET HEAD BOLT	DIN 912 M12X20-8.8
36	72311804	2	DISC	DIN 433-13-ST.A3L
37	72315055	2	SPLIT WASHER	FWN 65208-12-A3L
40	72315631	4	HEXAGONAL HEAD BOLT	DIN 933 M6 X 20-8.8A3L
41	72311822	4	DISC	DIN9021-6,4-140HV-A3L
42	72315052	4	SPLIT WASHER	FWN 65208-6-A3L
43	72313266	4	NUT	DIN 934 M6-8A3L
44	72397321	1	SHEET METAL	
45	72357768	1	SUPPORT ARM	

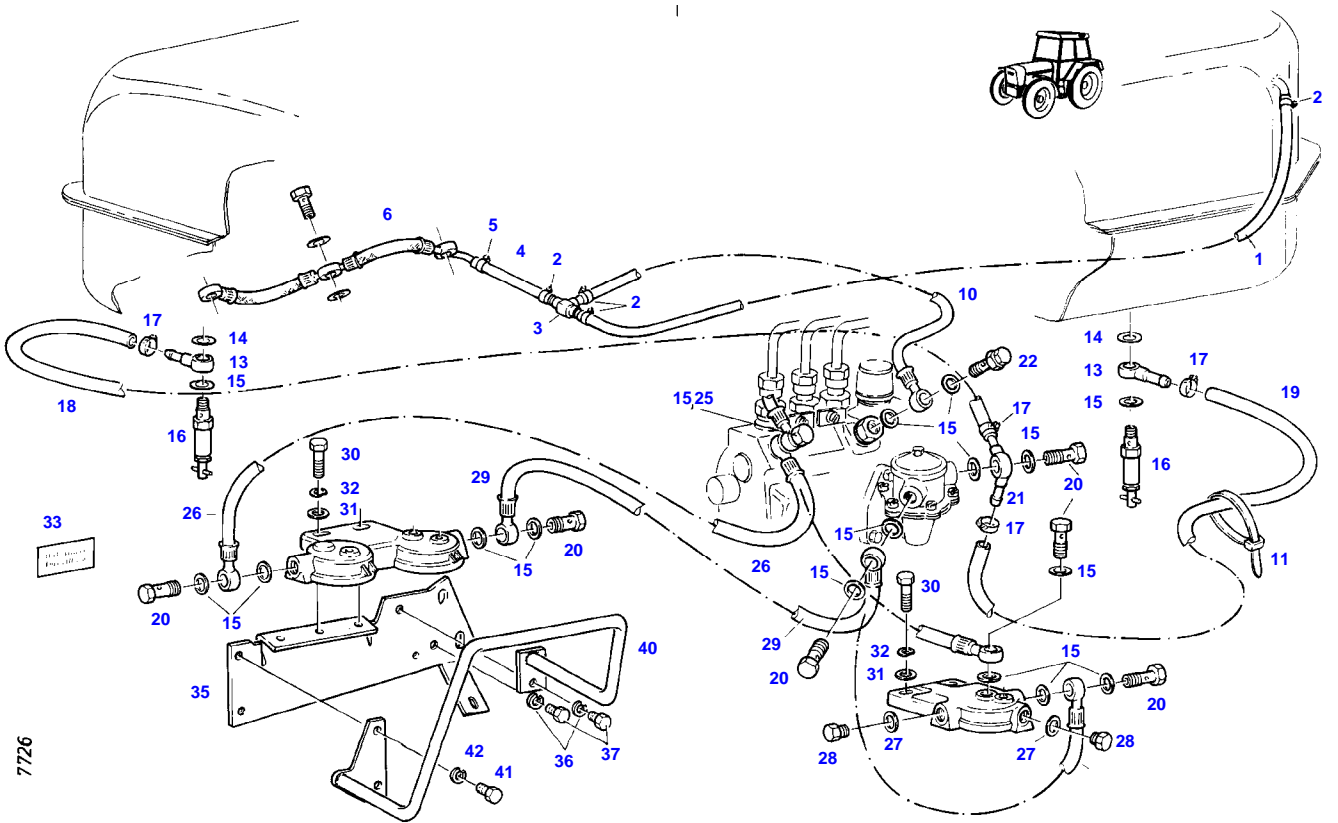
FARMER 307 (175/00801-99999)  
6337



6337

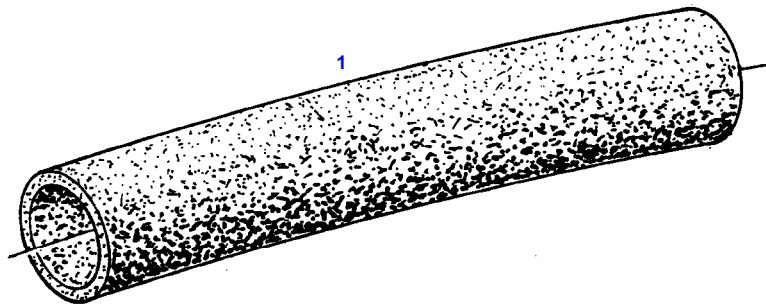
Item	Part Number	Qty	Description Comments	Technical Specification
			--> 175/20000	
1	72354920	1	FILTER RETAINER	
2	72393679	1	RETAINING SHEET METAL	
4	72315691	1	HEXAGONAL HEAD BOLT	DIN 933 M10X40-8.8A3L
	72315689	1	HEXAGONAL HEAD BOLT	DIN 933 M10X35-8.8A3L
5	72317122	2	SPRING WASHER	DIN 137 B10-MECH.VZK
6	72315642	1	HEXAGONAL HEAD BOLT	DIN 933 M8 X 16-8.8A3L
7	72315053	1	SPLIT WASHER	FWN 65208-8-A3L
8	72313268	1	NUT	DIN 934 M8-8A3L
9	72374490	2	HEXAGONAL HEAD BOLT	DIN 933 M14X20-8.8
	72374493	2	HEXAGONAL HEAD BOLT	DIN 933 M14X30-8.8
10	72315547	2	HEXAGONAL HEAD BOLT	DIN 931 M10X60-8.8A3L
	72315681	2	HEXAGONAL HEAD BOLT	DIN 933 M10X25-8.8A3L
11	72315054	2	SPLIT WASHER	FWN 65208-10-A3L
12	72311789	2	DISC	DIN 125-10,5-ST.A3L
13	72377531	2	RING HOSE NIPPLE	FWN65910-A-DN8
14	72315093	2	SEALING WASHER	DIN 7603 A12X18-CU
15	72315095	14	SEALING WASHER	DIN 7603 A14X20-CU
16	72380159	2	FUEL SHUT-OFF VALVE	
17	72450303	1	PRESSURE HOSE 980 MM CUT TO LENGTH	L=1000
18	72356760	1	FUEL LINE	
19	72355537	1	FUEL LINE	
20	72315808	4	BANJO BOLT	DIN 7643-10-3-A3L
21	72329530	1	LEAKAGE OIL LINE	
22	72356761	1	FUEL LINE	
23	72378086	-	PRESSURE HOSE	FWN 66041-P4
24	72398941	2	FASTENING COLLAR	
25	72316916	3	CABLE STRAP	FWN 66650 B175X4-SW
26	72450303	1	PRESSURE HOSE 880 MM CUT TO LENGTH	L=1000
27	72438345	4	HOSE CLIP	
	72438345	5	HOSE CLIP	
28	72377533	1	DOUBLE NIPPLE	FWN65910-DN8-120GR
29	72355462	1	HOLDER	
30			NOT USED	
31			NOT USED	
32	72315799	2	PLUG	DIN 7604 AM14X1,5-A3L
33	72315095	2	SEALING WASHER	DIN 7603 A14X20-CU
34	72393682	1	MARKING PLATE ARABIAN-ENGLISH	
47	72380268	1	BLEED AND DRAIN VALVE	
48	72380023	1	TEE FITTING	
49	72450301	1	PRESSURE HOSE 150 MM CUT TO LENGTH	L=1000
51	72310738	2	BUSH	
52	72399913	1	HOLDER	
53			NOT USED	
54			NOT USED	

FARMER 307 (175/00801-99999)  
7726



7726

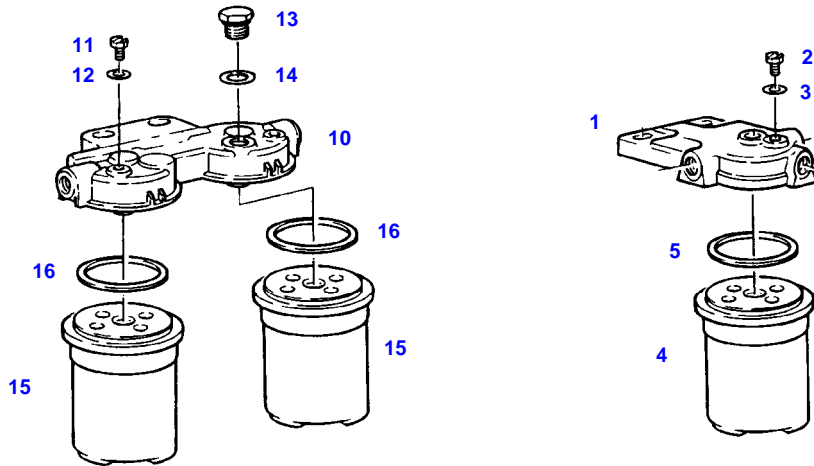
Item	Part Number	Qty	Description Comments	Technical Specification
			<-- 175/20001	
1	72450301	1	PRESSURE HOSE 750 MM CUT TO LENGTH	L=1000
2	72438345	4	HOSE CLIP	
3	72380023	1	TEE FITTING	
4	72450301	1	PRESSURE HOSE 150 MM CUT TO LENGTH	L=1000
5	72438345	1	HOSE CLIP	
6	72329530	1	LEAKAGE OIL LINE	
10	72356761	1	FUEL LINE	
11	72316916	3	CABLE STRAP	FWN 66650 B175X4-SW
13	72377531	2	RING HOSE NIPPLE	FWN65910-A-DN8
14	72315093	2	SEALING WASHER	DIN 7603 A12X18-CU
15	72315095	15	SEALING WASHER	DIN 7603 A14X20-CU
16	72380159	2	FUEL SHUT-OFF VALVE	
17	72438345	4	HOSE CLIP	
18	72450303	1	PRESSURE HOSE 800 MM CUT TO LENGTH	L=1000
19	72450303	1	PRESSURE HOSE 980 MM CUT TO LENGTH	L=1000
20	72315808	3	BANJO BOLT	DIN 7643-10-3-A3L
21	72377533	1	DOUBLE NIPPLE	FWN65910-DN8-120GR
22	72380268	1	BLEED AND DRAIN VALVE	
25	72310187	1	DOUBLE BOLT	
26	72355537	1	FUEL LINE	
27	72315095	2	SEALING WASHER	DIN 7603 A14X20-CU
28	72315799	2	PLUG	DIN 7604 AM14X1,5-A3L
29	72356760	1	FUEL LINE	
30	72315653	2	HEXAGONAL HEAD BOLT	DIN 933 M8 X 25-8.8A3L
31	72311824	2	DISC	DIN9021-8,4-140HV-A3L
32	72315053	2	SPLIT WASHER	FWN 65208-8-A3L
33	72393682	1	MARKING PLATE	
35	72357112	1	FILTER RETAINER	
36	72315053	3	SPLIT WASHER	FWN 65208-8-A3L
37	72315642	3	HEXAGONAL HEAD BOLT	DIN 933 M8 X 16-8.8A3L
40	72357121	1	PROTECTION BAR	
41	72315642	1	HEXAGONAL HEAD BOLT	DIN 933 M8 X 16-8.8A3L
42	72315053	1	SPLIT WASHER	FWN 65208-8-A3L



8555

Item	Part Number	Qty	Description Comments	Technical Specification
			<b>RAPE SEED OIL METHYLATED ESTER</b>	
1	72436293	1	HEAT SHRINK TUBING 1X 2500 MM CUT TO LENGTH	L=2600
	72436294	X	HEAT SHRINK TUBING 1X 3000 MM CUT TO LENGTH	L=3100
	72436295	1	HEAT SHRINK TUBING 1X 2000 MM CUT TO LENGTH	L=2100

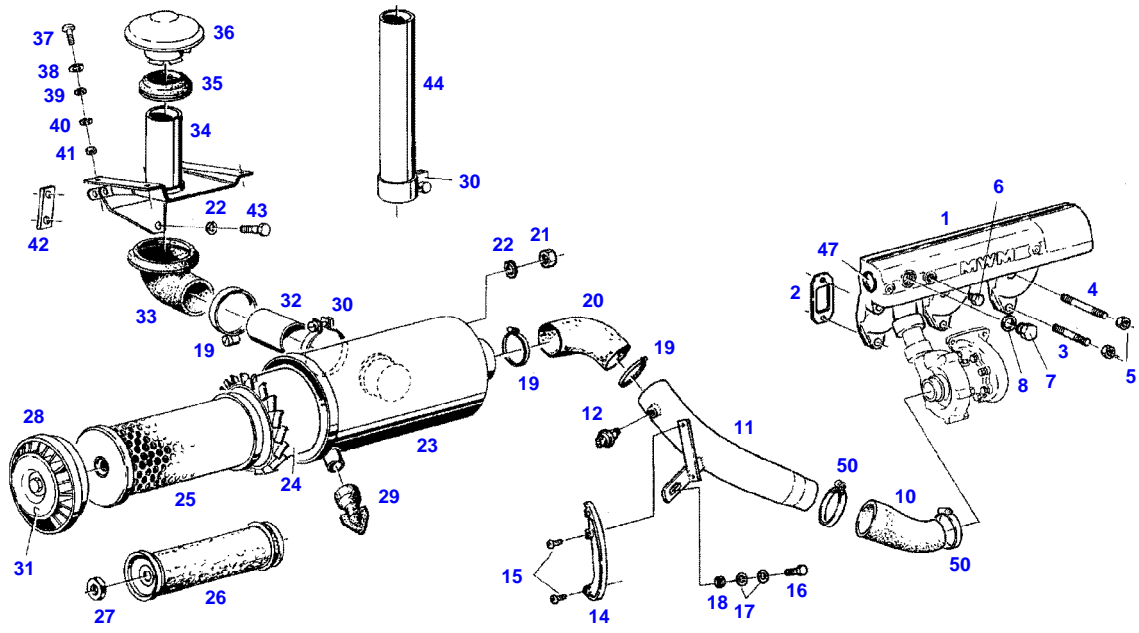
FARMER 307 (175/00801-99999)  
4952



4952

Item	Part Number	Qty	Description Comments	Technical Specification
1	72615599	1	FILTER LID ><2,3	
2	72323290	1	BLEED SCREW	
3	72315084	1	SEALING WASHER	DIN 7603 A6X10-CU
4	72416928	1	FILTER BOX ><5	
5	72314995	1	RUBBER RING PARALLEL-FILTER	
10	72380173	1	PARALLEL FILTER BOSCH ><11-16 <-- X810.190.166.000 1X <>	
	72416928	2	FILTER BOX	
	72451307	1	COVER KNECHT ><11-12 <>	PARALLELFILT.
	72416928	2	FILTER BOX	
11	72323290	2	BLEED SCREW BOSCH	
	72314699	2	BLEED SCREW KNECHT	
12	72315084	2	SEALING WASHER BOSCH	DIN 7603 A6X10-CU
	72315086	2	SEALING WASHER KNECHT	DIN 7603 A8X11,5-CU
13	72326250	1	SCREW BOSCH	
14	72315095	1	SEALING WASHER BOSCH	DIN 7603 A14X20-CU
15	72416928	2	FILTER BOX ><16	
16	72314995	2	RUBBER RING	

FARMER 307 (175/00801-99999)  
F060726



F060726

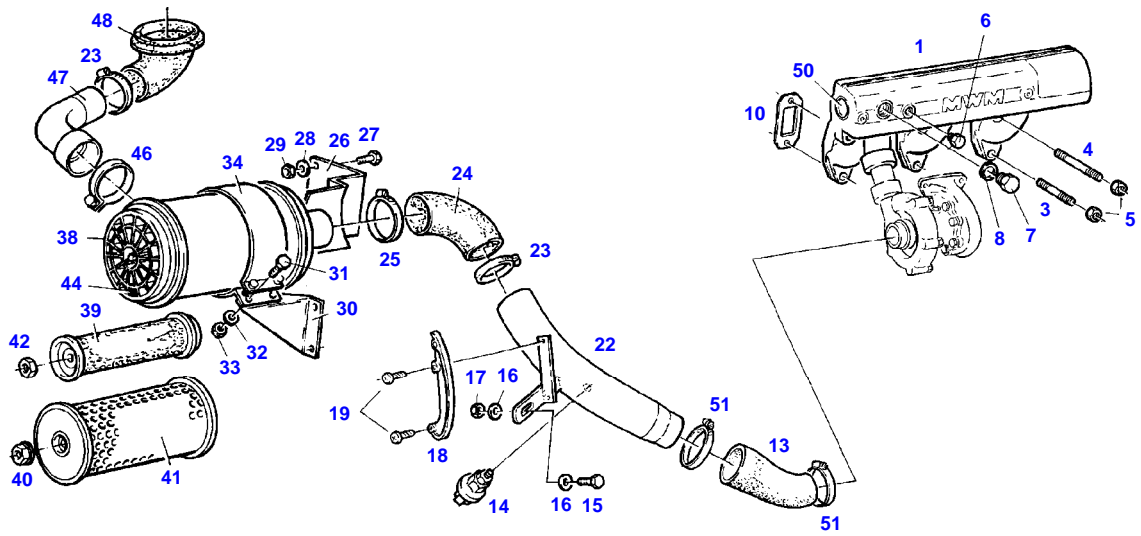


Item	Part Number	Qty	Description Comments	Technical Specification
			<b>PICLON</b> --> 175/20000	
1	72392836	1	INTAKE MANIFOLD	
2	72332145	3	MOLDED SEAL	
3	72374648	3	STUD BOLT	DIN 939 M10X40-10.9
4	72374654	3	STUD BOLT	DIN 939 M10X70-10.9
5	72373015	6	NUT	DIN70615-M10-8-A3B
6	72315433	1	SCREW	DIN 906 M14X1,5-ST
7	72373975	1	SCREW	DIN 910 M20X1,5-ST
8	72376031	1	SEALING WASHER	DIN 7603 A20X24-CU
9	72311170	1	HOSE CLIP	
10	72392837	1	RUBBER ARCH	
			<>	
	72492958	1	HOSE CLIP	59-83
11	72355443	1	INTAKE MANIFOLD	
	72420664	1	BOLT	
			AIR BRAKING SYSTEM	
	72436024	1	HOSE	L=920 DIN73411-15X3,5 R
			AIR BRAKING SYSTEM	
			1X 50MM	
	72311166	2	HOSE CLIP	
			AIR BRAKING SYSTEM	
12	72316876	1	MAINTENANCE SWITCH	
			MANN & HUMMEL	
	72379896	1	MAINTENANCE SWITCH	
			KNECHT	
14	72395417	1	SKID	
15	72315814	2	SCREW	DIN7976-ST4,8X16-F-A3L
16	72315630	1	HEXAGONAL HEAD BOLT	DIN 933 M6X18-8.8A3L
17	72311787	2	DISC	DIN 125-6,4-ST.A3L
18	72313318	1	NUT	DIN6925-M6-8-A3L
19	72373528	4	HOSE CLIP	
20	72395414	1	RUBBER ARCH	
21	72313268	4	NUT	DIN 934 M8-8A3L
22	72315053	6	SPLIT WASHER	FWN 65208-8-A3L
23	72348100	1	AIR FILTER	
			><23-30	
			NOT AVAILABLE IN SINGLE PARTS	
24	72329111	1	DIFFUSER	
25	72329734	1	MICRO-TOP CARTRIDGE	
26	72329735	1	SAFETY CARTRIDGE	
27	72372827	1	NUT	DIN 934 M16X1,5-10A3L
28	72329736	1	FLOOR	
			><29	
29	72326122	1	DUST DISCHARGE VALVE	
30	72329737	1	PIPE CLAMP	
			<-- X458.648.500.000	
31	72392986	1	ABSORPTION INDICATOR	
32	72393687	1	CONNECTING PIPE	
33	72393688	1	BELLOWS	
34	72355730	1	AIR INTAKE	
35	72393690	1	SEALING RING	
36	72330730	1	RAIN CAP	
37	72373806	4	TRUSS HEAD SCREW	DIN 603 M6X16-A3L
38	72311788	4	DISC	DIN 125-8,4-ST.A3L
39	72311787	4	DISC	DIN 125-6,4-ST.A3L
40	72315052	4	SPLIT WASHER	FWN 65208-6-A3L
41	72313266	4	NUT	DIN 934 M6-8A3L
42	72393790	1	THREADED PLATE	
43	72315645	2	HEXAGONAL HEAD BOLT	DIN 933 M8 X 12-8.8A3L
44	72384104	1	CONNECTING PIPE	
47	72377222	2	COVER	DIN 443-40
50	72492958	1	HOSE CLIP	59-83



Item	Part Number	Qty	Description Comments	Technical Specification
			PICLON <-- 175/20001	
1	72393007	1	REDUCER	
2	72311163	1	HOSE CLIP	
3	72311171	3	HOSE CLIP	
4	72355538	1	INTAKE MANIFOLD	
5	72395930	1	RUBBER ARCH	
6	72311172	1	HOSE CLIP	
10	72316876	1	MAINTENANCE SWITCH	
12	72315101	1	SEALING WASHER	DIN 7603 A22X27-CU
13	72315802	1	SCREW	DIN 7604 AM22X1,5-ST
15	72373809	5	TRUSS HEAD SCREW	DIN 603 M6X20-A3L
16	72315052	5	SPLIT WASHER	FWN 65208-6-A3L
17	72311822	1	DISC	DIN9021-6,4-140HV-A3L
18	72313266	5	NUT	DIN 934 M6-8A3L
19	72311787	4	DISC	DIN 125-6,4-ST.A3L
20	72311788	4	DISC	DIN 125-8,4-ST.A3L
22	72313268	4	NUT	DIN 934 M8-8A3L
23	72315053	4	SPLIT WASHER	FWN 65208-8-A3L
25	72348192	1	AIR FILTER ><26-31	
26	72329111	1	DIFFUSER	
27	72329734	1	MICRO-TOP CARTRIDGE	
28	72329735	1	SAFETY CARTRIDGE	
29	72329736	1	FLOOR	
30	72372827	1	NUT	DIN 934 M16X1,5-10A3L
31	72326122	1	DUST DISCHARGE VALVE	
35	72397326	1	BELLOWS	
36	72357774	1	AIR INTAKE	
37	72397329	1	SEALING RING	
38	72348784	1	RAIN CAP ><39	
39	72333025	1	PIPE CLAMP	
42	72348666	1	CONNECTING PIPE	

FARMER 307 (175/00801-99999)  
F060727

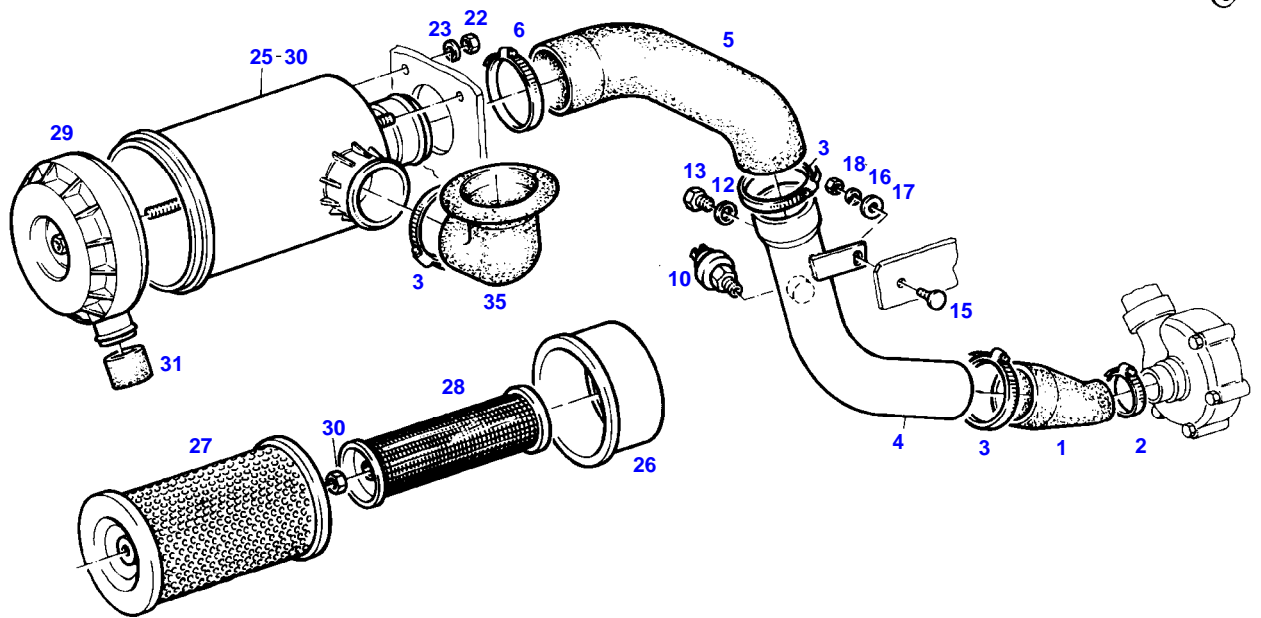


F060727



Item	Part Number	Qty	Description Comments	Technical Specification
			PICO --> 175/20000	
1	72392836	1	INTAKE MANIFOLD	
3	72374648	3	STUD BOLT	DIN 939 M10X40-10.9
4	72374654	3	STUD BOLT	DIN 939 M10X70-10.9
5	72373015	6	NUT	DIN70615-M10-8-A3B
6	72315433	1	SCREW	DIN 906 M14X1,5-ST
7	72373975	1	SCREW	DIN 910 M20X1,5-ST
8	72376031	1	SEALING WASHER	DIN 7603 A20X24-CU
10	72332145	3	MOLDED SEAL	
12	72311170	1	HOSE CLIP	
13	72392837	1	RUBBER ARCH	
			<>	
	72492958	1	HOSE CLIP	59-83
14	72316876	1	MAINTENANCE SWITCH	
15	72315630	1	HEXAGONAL HEAD BOLT	DIN 933 M6X18-8.8A3L
16	72311787	2	DISC	DIN 125-6,4-ST.A3L
17	72313318	1	NUT	DIN6925-M6-8-A3L
18	72395417	1	SKID	
19	72315814	2	SCREW	DIN7976-ST4,8X16-F-A3L
22	72355442	1	INTAKE MANIFOLD	
	72355443	1	INTAKE MANIFOLD AIR BRAKING SYSTEM	
23	72373528	3	HOSE CLIP	
24	72395421	1	RUBBER ARCH	
25	72311171	1	HOSE CLIP	
26	72356745	1	RETAINER	
27	72315645	3	HEXAGONAL HEAD BOLT	DIN 933 M8 X 12-8.8A3L
28	72315053	3	SPLIT WASHER	FWN 65208-8-A3L
29	72313268	3	NUT	DIN 934 M8-8A3L
30	72395446	1	SUPPORT	
31	72315629	2	HEXAGONAL HEAD BOLT	DIN 933 M6 X 12-8.8A3L
32	72315052	2	SPLIT WASHER	FWN 65208-6-A3L
33	72313266	2	NUT	DIN 934 M6-8A3L
34	72348547	1	PIPE CLAMP	
38	72348545	1	AIR FILTER >>39-42	
39	72332126	1	SAFETY CARTRIDGE	
40	72339030	1	COLLAR NUT	
41	72332441	1	MICRO-TOP CARTRIDGE	
42	72372827	1	NUT	DIN 934 M16X1,5-10A3L
44	72392986	1	ABSORPTION INDICATOR	
46	72373517	1	CLAMPING CLIP	
47	72356718	1	ELBOW FITTING	
48	72393688	1	BELLOWS	
50	72377222	2	COVER	DIN 443-40
51	72492958	1	HOSE CLIP	59-83

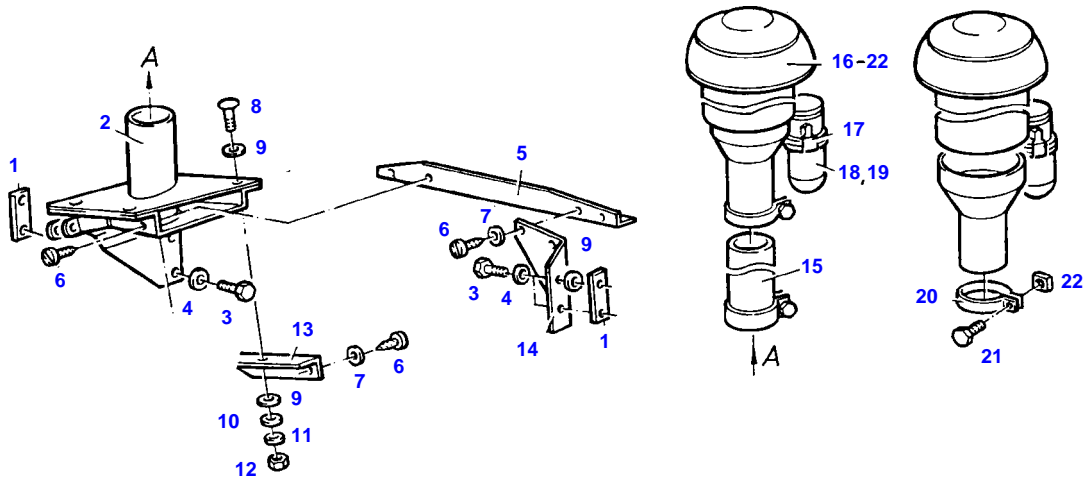
FARMER 307 (175/00801-99999)  
7496



7496

Item	Part Number	Qty	Description Comments	Technical Specification
			PICO <-- 175/20001	
1	72393007	1	REDUCER	
2	72311163	1	HOSE CLIP	
3	72311171	3	HOSE CLIP	
4	72355538	1	INTAKE MANIFOLD	
5	72395930	1	RUBBER ARCH	
6	72311172	1	HOSE CLIP	
10	72316876	1	MAINTENANCE SWITCH	
12	72315101	1	SEALING WASHER	DIN 7603 A22X27-CU
13	72315802	1	SCREW	DIN 7604 AM22X1,5-ST
15	72373809	1	TRUSS HEAD SCREW	DIN 603 M6X20-A3L
16	72315052	1	SPLIT WASHER	FWN 65208-6-A3L
17	72311822	1	DISC	DIN9021-6,4-140HV-A3L
18	72313266	1	NUT	DIN 934 M6-8A3L
22	72313268	4	NUT	DIN 934 M8-8A3L
23	72315053	4	SPLIT WASHER	FWN 65208-8-A3L
25	72348193	1	AIR FILTER ><26-30	
26	72329412	1	GUIDE RING	
27	72329734	1	MICRO-TOP CARTRIDGE	
28	72329735	1	SAFETY CARTRIDGE	
29	72329411	1	FLOOR	
30	72372827	1	NUT	DIN 934 M16X1,5-10A3L
31	72392801	1	CAP	
35	72397326	1	BELLOWS	

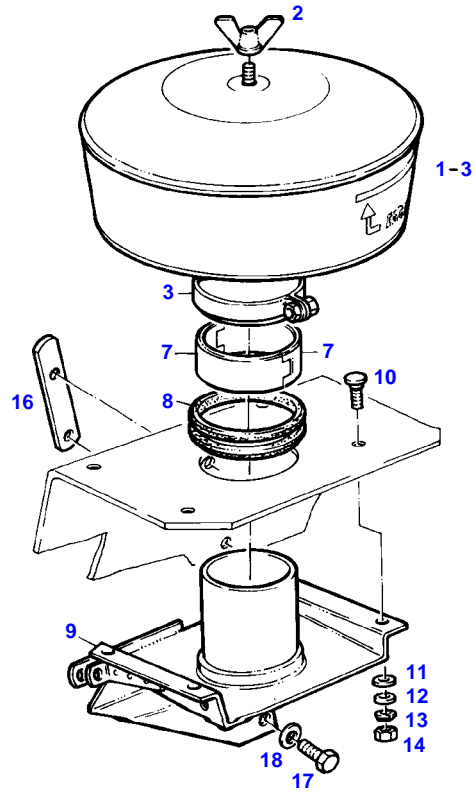
FARMER 307 (175/00801-99999)  
4270



4270

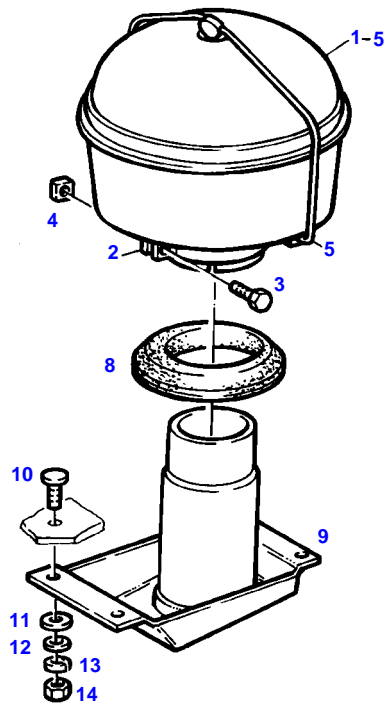
Item	Part Number	Qty	Description Comments	Technical Specification
			PICO --> 175/20000	
1	72393790	2	THREADED PLATE	
2	72356719	1	AIR INTAKE	
3	72315645	4	HEXAGONAL HEAD BOLT	DIN 933 M8 X 12-8.8A3L
4	72315053	4	SPLIT WASHER	FWN 65208-8-A3L
5	72395424	1	STIFFENING PLATE	
6	72315789	6	SCREW	DIN 7981 ST4,8X9,5-C-H-A3
7	72311785	4	DISC	DIN 125-5,3-ST.A3L
8	72373806	4	TRUSS HEAD SCREW	DIN 603 M6X16-A3L
9	72311788	9	DISC	DIN 125-8,4-ST.A3L
10	72311787	4	DISC	DIN 125-6,4-ST.A3L
11	72315052	4	SPLIT WASHER	FWN 65208-6-A3L
12	72313266	4	NUT	DIN 934 M6-8A3L
13	72395425	1	GUSSET PLATE	
14	72395423	1	GUSSET PLATE	
15	72384104	1	CONNECTING PIPE	
16	72348546	1	CYCLONE AIR CLEANER ><17-22	
17	72321921	1	CATCH	
18	72330736	1	FUNNEL	
19	72320204	1	CONTAINER	
20	72328628	1	PIPE CLAMP	
21	72328615	1	HEXAGONAL HEAD BOLT	
22	72372784	1	SQUARE NUT	DIN 557 M8-5

FARMER 307 (175/00801-99999)  
5994



7594

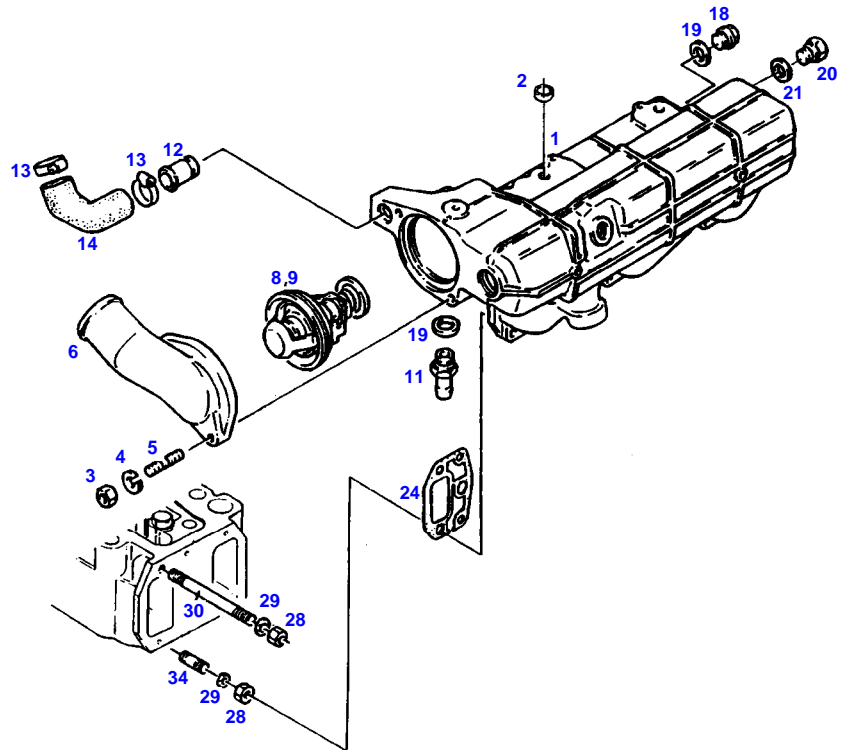
Item	Part Number	Qty	Description Comments	Technical Specification
			PICO --> 175/20000	
1	72348552	1	PRE-CLEANER >>1-3	
	72311582	1	DUST CUP	
2	72313238	1	WING NUT	
3	72332464	1	HOSE CLIP	
7	72395448	2	HALF-BEARING	
8	72393690	1	SEALING RING	
9	72356750	1	AIR INTAKE	
10	72373806	4	TRUSS HEAD SCREW	DIN 603 M6X16-A3L
11	72311788	4	DISC	DIN 125-8,4-ST.A3L
12	72311787	4	DISC	DIN 125-6,4-ST.A3L
13	72315052	4	SPLIT WASHER	FWN 65208-6-A3L
14	72313266	4	NUT	DIN 934 M6-8A3L
16	72393790	1	THREADED PLATE	
17	72315645	2	HEXAGONAL HEAD BOLT	DIN 933 M8 X 12-8.8A3L
18	72315053	2	SPLIT WASHER	FWN 65208-8-A3L



7497

Item	Part Number	Qty	Description Comments	Technical Specification
			PICO <-- 175/20001	
1	72348194	1	CYCLONE AIR CLEANER >>1-5	
	72329416	1	DUST CUP	
2	72329414	1	PIPE CLAMP	
3	72329413	1	HEXAGONAL HEAD BOLT	
4	72372783	1	SQUARE NUT	DIN 557 M6-5 A3L
5	72329415	1	HOLDER	
8	72397329	1	SEALING RING	
9	72357774	1	AIR INTAKE	
10	72373809	4	TRUSS HEAD SCREW	DIN 603 M6X20-A3L
11	72311788	4	DISC	DIN 125-8,4-ST.A3L
12	72311787	4	DISC	DIN 125-6,4-ST.A3L
13	72315052	4	SPLIT WASHER	FWN 65208-6-A3L
14	72313266	4	NUT	DIN 934 M6-8A3L

FARMER 307 (175/00801-99999)  
8980



8980

Item	Part Number	Qty	Description Comments	Technical Specification
			<-- 175/20001	
1	72393004	1	INTAKE MANIFOLD	
2	72311455	2	COVER	
3	72372805	2	NUT	DIN 934 M8-10 C2A
4	72315053	2	SPLIT WASHER	FWN 65208-8-A3L
5	72373904	2	STUD BOLT	DIN 835-M8X30-8.8
6	72397293	1	COVER	
8	72348782	1	THERMOSTAT	
			><9	
	72333024	1	THERMOSTAT 85 C SCANDINAVIA	
9	72397296	1	BRUSH SEALING	
11	72396595	1	HOSE BARB	
12	72411402	1	HOSE BARB	
			<>	
	72315101	1	SEALING WASHER	DIN 7603 A22X27-CU
13	72311168	2	HOSE CLIP	
14	72395453	1	RUBBER ARCH	
18	72315802	1	SCREW	DIN 7604 AM22X1,5-ST
19	72315101	2	SEALING WASHER	DIN 7603 A22X27-CU
20	72315798	1	PLUG	DIN 7604 AM12X1,5-ST
21	72315093	1	SEALING WASHER	DIN 7603 A12X18-CU
24	72397295	3	MOLDED SEAL	
28	72373015	9	NUT	DIN70615-M10-8-A3B
29	72386496	9	DISC	
30	72374658	3	STUD BOLT	DIN 939-M10X100-8.8
34	72374646	6	STUD BOLT	DIN 939 M10X30-8.8



**Suggest:**

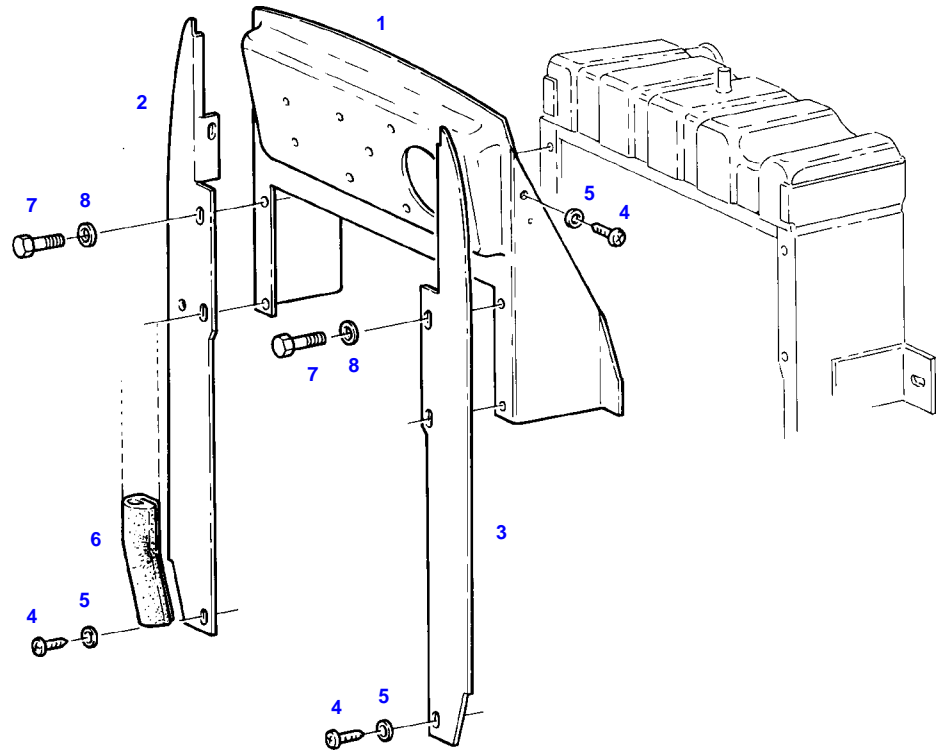
**For more complete manuals. Please go to the home page.**

**<https://www.ebooklibonline.com>**

**If the above button click is invalid. Please download this document first, and then click the above link to download the complete manual.**

**Thank you so much for reading**

FARMER 307 (175/00801-99999)  
6338



6338

Item	Part Number	Qty	Description Comments	Technical Specification
			<b>RANGE OF TEMPERATURE 1+2 / 1+2 WITH AIR BRAKE SUPPLY EQUIPEMENT</b>	
1	72355533	1	FILTER BRACKET	
2	72393001	1	SPLASH PANEL	
	72393002	1	SPLASH PANEL AIR CONDITION	
3	72392834	1	SPLASH PANEL	
4	72315785	3	SCREW	DIN 7981 ST4,2X9,5-C-H-A3
5	72311817	3	DISC	DIN9021-4,3-140HV-A3L
6	72393692	1	SEALING PROFILE	
7	72315645	4	HEXAGONAL HEAD BOLT	DIN 933 M8 X 12-8.8A3L
8	72317121	4	SPRING WASHER	DIN 137 B8-MECH.VZK

**<https://www.ebooklibonline.com>**

Hello dear friend!

Thank you very much for reading.

Enter the link into your browser.

The full manual is available for immediate download.

**<https://www.ebooklibonline.com>**