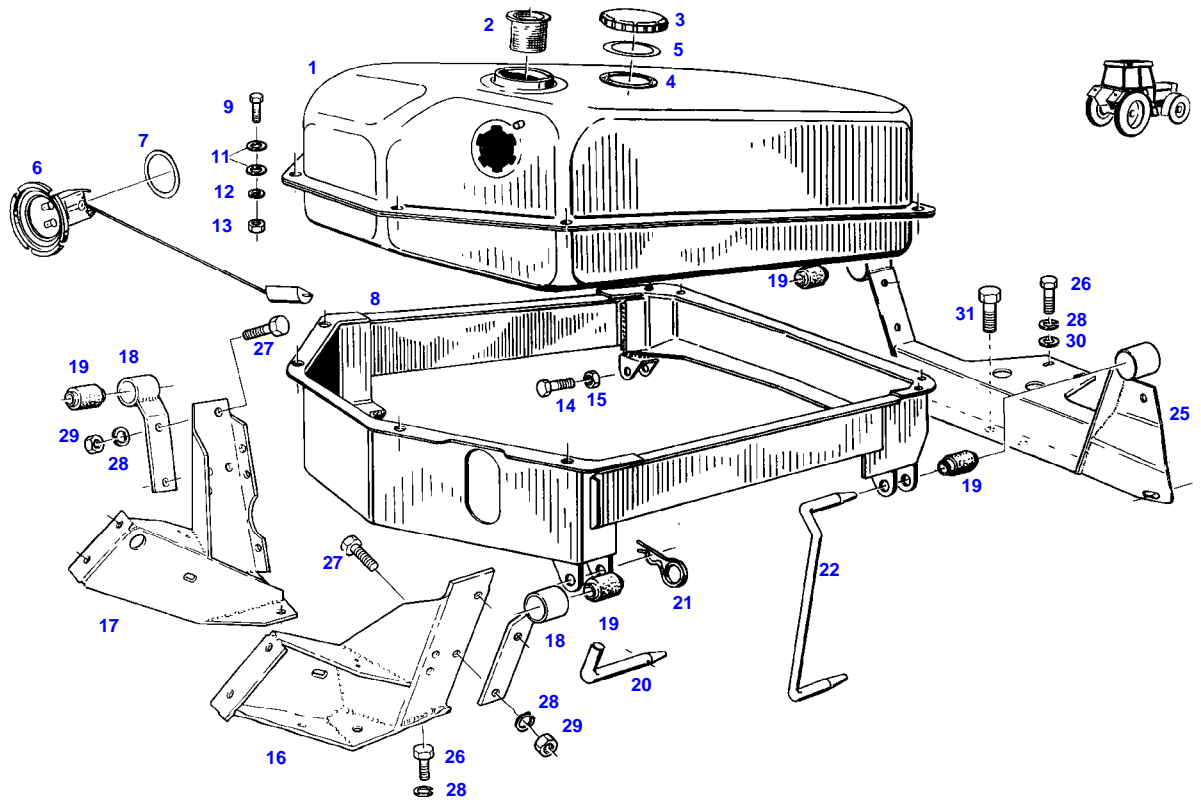


**TABLE OF CONTENT**

<b>Page Number</b>	<b>Page Title</b>	<b>Page Reference</b>
01-000-TOC	ENGINE, FUEL AND EXHAUST SYSTEM	01-000-TOC
02-000-TOC	AXLES	02-000-TOC
03-000-TOC	STEERING SYSTEM	03-000-TOC
04-000-TOC	DRIVE TRAIN SYSTEM	04-000-TOC
05-000-TOC	COMPRESSED AIR SYSTEM	05-000-TOC
06-000-TOC	HYDRAULIC SYSTEM	06-000-TOC
07-000-TOC	ELECTRICAL SYSTEM	07-000-TOC
08-000-TOC	CAB	08-000-TOC
09-000-TOC	AIR CONDITIONING AND HEATING SYSTEM	09-000-TOC
10-000-TOC	CHASSIS	10-000-TOC
11-000-TOC	WHEELS	11-000-TOC
12-000-TOC	IMPLEMENT LIFT SYSTEM FRONT	12-000-TOC
13-000-TOC	IMPLEMENT LIFT SYSTEM REAR	13-000-TOC
14-000-TOC	FRONT/REAR LOADERS	14-000-TOC
15-000-TOC	ATTACHMENTS	15-000-TOC
16-000-TOC	ACCESSORIES	16-000-TOC

FARMER 307 (170/02001-99999)  
5179



5179

Item	Part Number	Qty	Description Comments	Technical Specification
1	72348236	1	FUEL TANK <>	
	72348556	1	FUEL LEVEL SENSOR	
2	72433112	1	STRAINER	60X100-MS
3	72380143	1	FUEL CAP KOEHLER ><4	M.BELUEF
	72348297	1	FUEL CAP LOCKABLE BLAU ><4+5	
4	72330725	1	SEAL BLAU	
	72312304	1	RUBBER SEAL KOEHLER	
5	72330726	1	SEAL BLAU	
6	72613041	1	FUEL LEVEL SENSOR ><7	
7	72315169	1	SEALING WASHER	
8	72355536	1	TANK FRAME	
9	72315626	8	HEXAGONAL HEAD BOLT	DIN 933-M6 X 16-8.8-A3L
11	72311822	16	DISC	DIN9021-6,4-140HV-A3L
12	72315052	8	SPLIT WASHER	FWN 65208-6-A3L
13	72313266	8	NUT	DIN 934 M6-8A3L
14	72315719	2	HEXAGONAL HEAD BOLT	DIN 933 M12X60-8.8A3L
15	72313325	2	NUT	DIN 980-VM12-8-A3L
16	72355440	1	BRACKET	
17	72355441	1	BRACKET	
18	72356758	2	SUPPORT ARM	
19	72310644	4	RUBBER BUSHING	
20	72404932	2	BEARING PIN	
21	72311183	2	HAIR COTTER PIN	DIN 11024-4-A3L
22	72393676	1	BEARING PIN	
25	72355727	1	CROSSMEMBER	
26	72315642	8	HEXAGONAL HEAD BOLT	DIN 933 M8 X 16-8.8A3L
27	72315653	4	HEXAGONAL HEAD BOLT	DIN 933 M8 X 25-8.8A3L
28	72315053	12	SPLIT WASHER	FWN 65208-8-A3L
29	72313268	4	NUT	DIN 934 M8-8A3L
30	72311788	2	DISC	DIN 125-8,4-ST.A3L
31	72315675	2	HEXAGONAL HEAD BOLT	DIN 933 M10X16-8.8A3L

**<https://www.ebooklibonline.com>**

Hello dear friend!

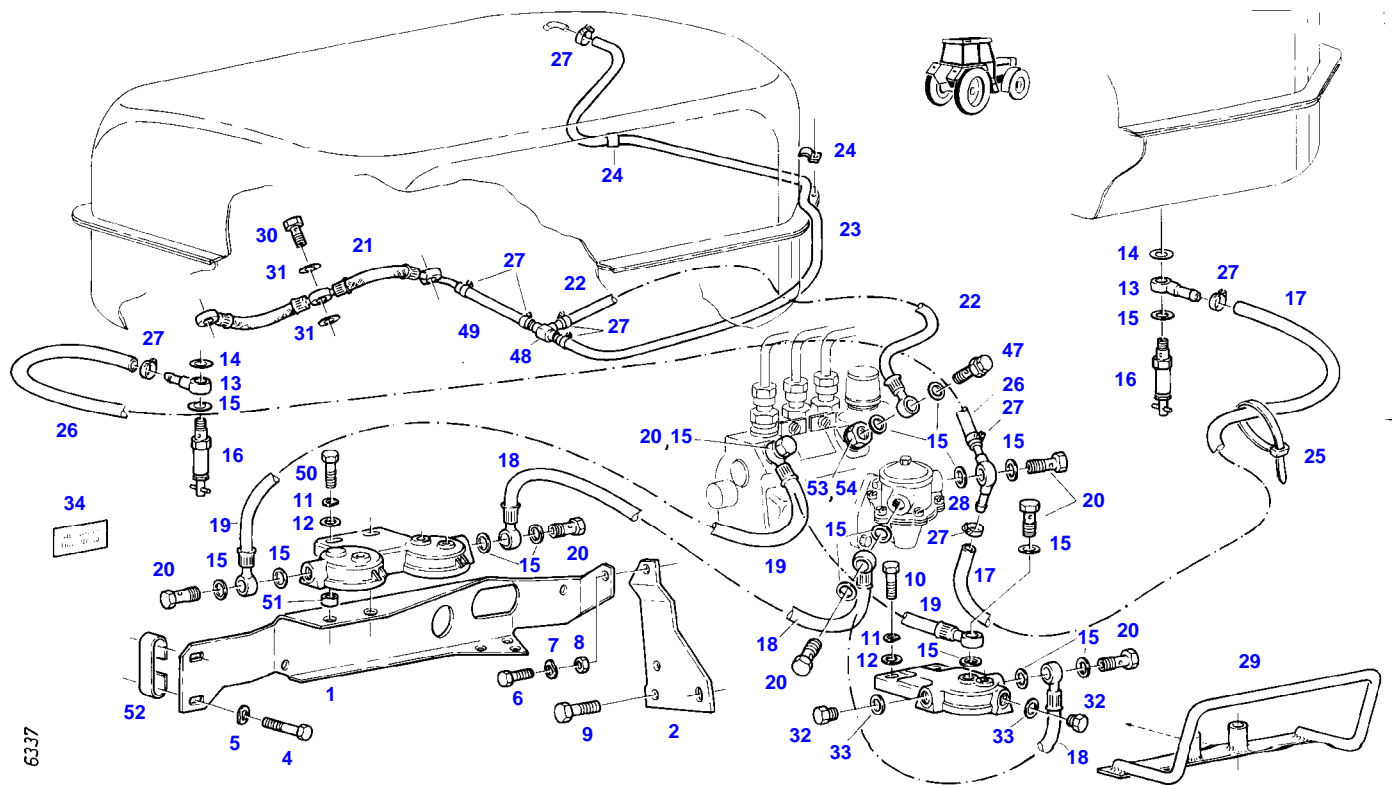
Thank you very much for reading.

Enter the link into your browser.

The full manual is available for immediate download.

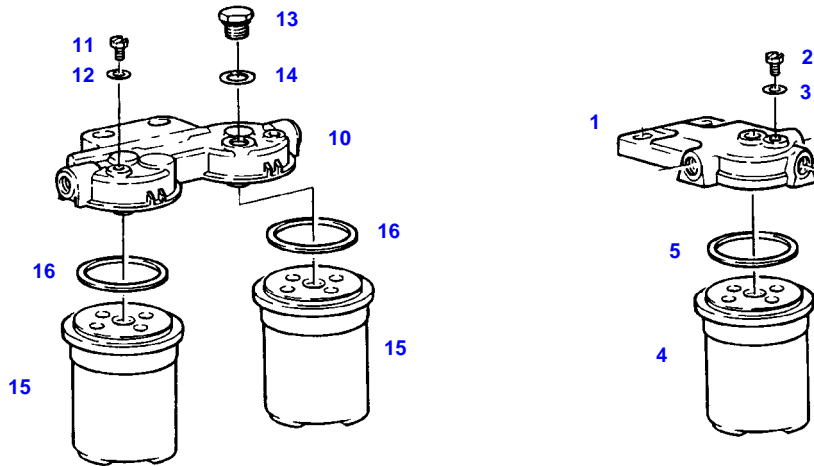
**<https://www.ebooklibonline.com>**

FARMER 307 (170/02001-99999)  
6337



Item	Part Number	Qty	Description Comments	Technical Specification
1	72354920	1	FILTER RETAINER	
2	72393679	1	RETAINING SHEET METAL	
4	72315691	1	HEXAGONAL HEAD BOLT	DIN 933 M10X40-8.8A3L
	72315689	1	HEXAGONAL HEAD BOLT	DIN 933 M10X35-8.8A3L
5	72317122	2	SPRING WASHER	DIN 137 B10-MECH.VZK
6	72315642	1	HEXAGONAL HEAD BOLT	DIN 933 M8 X 16-8.8A3L
7	72315053	1	SPLIT WASHER	FWN 65208-8-A3L
8	72313268	1	NUT	DIN 934 M8-8A3L
9	72374490	2	HEXAGONAL HEAD BOLT	DIN 933 M14X20-8.8
	72374493	2	HEXAGONAL HEAD BOLT	DIN 933 M14X30-8.8
10	72315547	2	HEXAGONAL HEAD BOLT	DIN 931 M10X60-8.8A3L
	72315681	2	HEXAGONAL HEAD BOLT	DIN 933 M10X25-8.8A3L
11	72315054	2	SPLIT WASHER	FWN 65208-10-A3L
12	72311789	2	DISC	DIN 125-10,5-ST.A3L
13	72377531	2	RING HOSE NIPPLE	FWN65910-A-DN8
14	72315093	2	SEALING WASHER	DIN 7603 A12X18-CU
15	72315095	14	SEALING WASHER	DIN 7603 A14X20-CU
16	72380159	2	FUEL SHUT-OFF VALVE	
17	72450303	1	PRESSURE HOSE 980 MM CUT TO LENGTH	L=1000
18	72356760	1	FUEL LINE	
19	72355537	1	FUEL LINE	
20	72315808	4	BANJO BOLT	DIN 7643-10-3-A3L
21	72329530	1	LEAKAGE OIL LINE	
22	72356761	1	FUEL LINE	
23	72378086	-	PRESSURE HOSE	FWN 66041-P4
24	72398941	2	FASTENING COLLAR	
25	72316916	3	CABLE STRAP	FWN 66650 B175X4-SW
26	72450303	1	PRESSURE HOSE 880 MM CUT TO LENGTH	L=1000
27	72438345	4	HOSE CLIP	
	72438345	5	HOSE CLIP	
28	72377533	1	DOUBLE NIPPLE	FWN65910-DN8-120GR
29	72355462	1	HOLDER	
30			NOT USED	
31			NOT USED	
32	72315799	2	PLUG	DIN 7604 AM14X1,5-A3L
33	72315095	2	SEALING WASHER	DIN 7603 A14X20-CU
34	72393682	1	MARKING PLATE ARABIAN-ENGLISH	
47	72380268	1	BLEED AND DRAIN VALVE	
48	72380023	1	TEE FITTING	
49	72450301	1	PRESSURE HOSE 150 MM CUT TO LENGTH	L=1000
51	72310738	2	BUSH	
52	72399913	1	HOLDER	
53			NOT USED	
54			NOT USED	

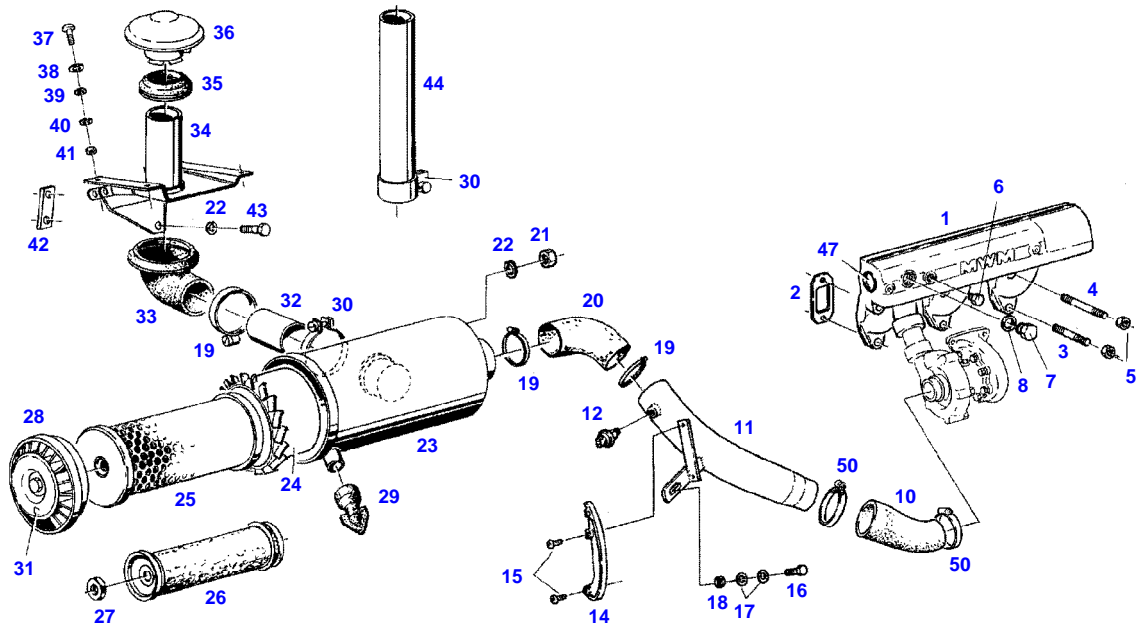
FARMER 307 (170/02001-99999)  
4952



4952

Item	Part Number	Qty	Description Comments	Technical Specification
1	72615599	1	FILTER LID ><2,3	
2	72323290	1	BLEED SCREW	
3	72315084	1	SEALING WASHER	DIN 7603 A6X10-CU
4	72416928	1	FILTER BOX ><5	
5	72314995	1	RUBBER RING PARALLEL-FILTER	
10	72380173	1	PARALLEL FILTER BOSCH ><11-16 <-- X810.190.166.000 1X <>	
	72416928	2	FILTER BOX	
	72451307	1	COVER KNECHT ><11-12 <>	PARALLELFILT.
	72416928	2	FILTER BOX	
11	72323290	2	BLEED SCREW BOSCH	
	72314699	2	BLEED SCREW KNECHT	
12	72315084	2	SEALING WASHER BOSCH	DIN 7603 A6X10-CU
	72315086	2	SEALING WASHER KNECHT	DIN 7603 A8X11,5-CU
13	72326250	1	SCREW BOSCH	
14	72315095	1	SEALING WASHER BOSCH	DIN 7603 A14X20-CU
15	72416928	2	FILTER BOX ><16	
16	72314995	2	RUBBER RING	

FARMER 307 (170/02001-99999)  
F060726

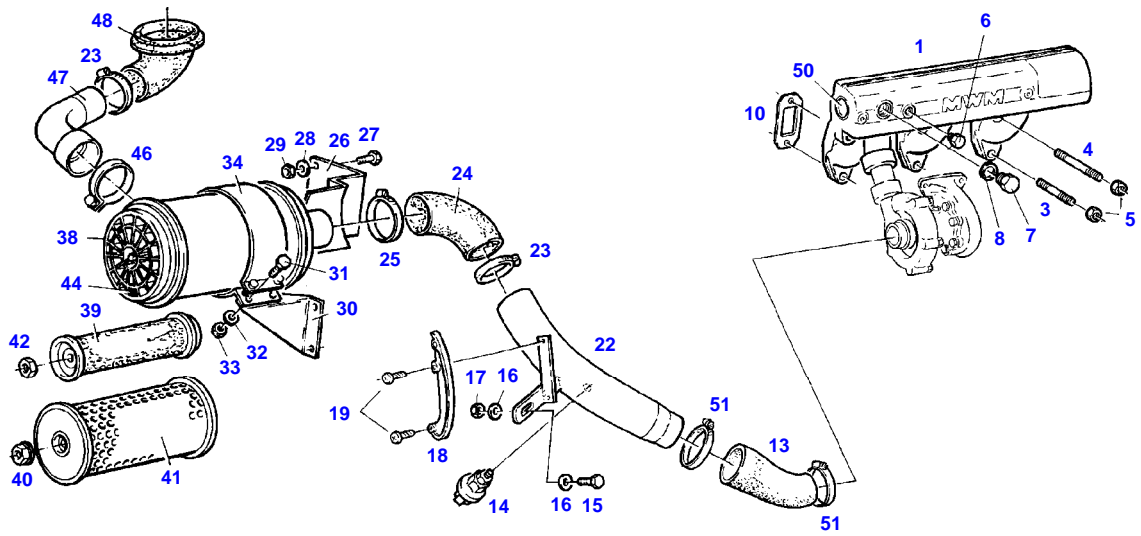


F060726



Item	Part Number	Qty	Description Comments	Technical Specification
<b>PICLON</b>				
1	72392836	1	INTAKE MANIFOLD	
2	72332145	3	MOLDED SEAL	
3	72374648	3	STUD BOLT	DIN 939 M10X40-10.9
4	72374654	3	STUD BOLT	DIN 939 M10X70-10.9
5	72373015	6	NUT	DIN70615-M10-8-A3B
6	72315433	1	SCREW	DIN 906 M14X1,5-ST
7	72373975	1	SCREW	DIN 910 M20X1,5-ST
8	72376031	1	SEALING WASHER	DIN 7603 A20X24-CU
9	72311170	1	HOSE CLIP	
10	72392837	1	RUBBER ARCH	
			<>	
	72492958	1	HOSE CLIP	59-83
11	72355443	1	INTAKE MANIFOLD	
	72420664	1	BOLT	
			AIR BRAKING SYSTEM	
	72436024	1	HOSE	L=920 DIN73411-15X3,5 R
			AIR BRAKING SYSTEM	
			1X 50MM	
	72311166	2	HOSE CLIP	
			AIR BRAKING SYSTEM	
12	72316876	1	MAINTENANCE SWITCH	
			MANN & HUMMEL	
	72379896	1	MAINTENANCE SWITCH	
			KNECHT	
14	72395417	1	SKID	
15	72315814	2	SCREW	DIN7976-ST4,8X16-F-A3L
16	72315630	1	HEXAGONAL HEAD BOLT	DIN 933 M6X18-8.8A3L
17	72311787	2	DISC	DIN 125-6,4-ST.A3L
18	72313318	1	NUT	DIN6925-M6-8-A3L
19	72373528	4	HOSE CLIP	
20	72395414	1	RUBBER ARCH	
21	72313268	4	NUT	DIN 934 M8-8A3L
22	72315053	6	SPLIT WASHER	FWN 65208-8-A3L
23	72348100	1	AIR FILTER	
			><23-30	
NOT AVAILABLE IN SINGLE PARTS				
24	72329111	1	DIFFUSER	
25	72329734	1	MICRO-TOP CARTRIDGE	
26	72329735	1	SAFETY CARTRIDGE	
27	72372827	1	NUT	DIN 934 M16X1,5-10A3L
28	72329736	1	FLOOR	
			><29	
29	72326122	1	DUST DISCHARGE VALVE	
30	72329737	1	PIPE CLAMP	
			<-- X458.648.500.000	
31	72409107	1	ABSORPTION INDICATOR	
32	72393687	1	CONNECTING PIPE	
33	72393688	1	BELLOWS	
34	72355730	1	AIR INTAKE	
35	72393690	1	SEALING RING	
36	72330730	1	RAIN CAP	
37	72373806	4	TRUSS HEAD SCREW	DIN 603 M6X16-A3L
38	72311788	4	DISC	DIN 125-8,4-ST.A3L
39	72311787	4	DISC	DIN 125-6,4-ST.A3L
40	72315052	4	SPLIT WASHER	FWN 65208-6-A3L
41	72313266	4	NUT	DIN 934 M6-8A3L
42	72393790	1	THREADED PLATE	
43	72315645	2	HEXAGONAL HEAD BOLT	DIN 933 M8 X 12-8.8A3L
44	72384104	1	CONNECTING PIPE	
47	72377222	2	COVER	DIN 443-40
50	72492958	1	HOSE CLIP	59-83

FARMER 307 (170/02001-99999)  
F060727

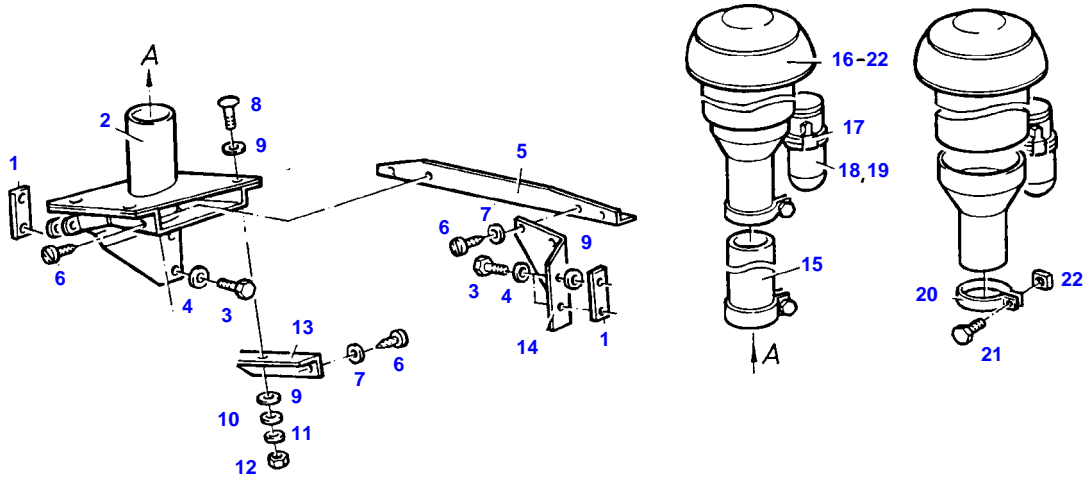


F060727



Item	Part Number	Qty	Description Comments	Technical Specification
			<b>PICO</b> <b>&lt;--170/2821</b>	
1	72392836	1	INTAKE MANIFOLD	
3	72374648	3	STUD BOLT	DIN 939 M10X40-10.9
4	72374654	3	STUD BOLT	DIN 939 M10X70-10.9
5	72373015	6	NUT	DIN70615-M10-8-A3B
6	72315433	1	SCREW	DIN 906 M14X1,5-ST
7	72373975	1	SCREW	DIN 910 M20X1,5-ST
8	72376031	1	SEALING WASHER	DIN 7603 A20X24-CU
10	72332145	3	MOLDED SEAL	
12	72311170	1	HOSE CLIP	
13	72392837	1	RUBBER ARCH	
			<>	
	72492958	1	HOSE CLIP	59-83
14	72316876	1	MAINTENANCE SWITCH	
15	72315630	1	HEXAGONAL HEAD BOLT	DIN 933 M6X18-8.8A3L
16	72311787	2	DISC	DIN 125-6,4-ST.A3L
17	72313318	1	NUT	DIN6925-M6-8-A3L
18	72395417	1	SKID	
19	72315814	2	SCREW	DIN7976-ST4,8X16-F-A3L
22	72355442	1	INTAKE MANIFOLD	
	72355443	1	INTAKE MANIFOLD AIR BRAKING SYSTEM	
23	72373528	3	HOSE CLIP	
24	72395421	1	RUBBER ARCH	
25	72311171	1	HOSE CLIP	
26	72356745	1	RETAINER	
27	72315645	3	HEXAGONAL HEAD BOLT	DIN 933 M8 X 12-8.8A3L
28	72315053	3	SPLIT WASHER	FWN 65208-8-A3L
29	72313268	3	NUT	DIN 934 M8-8A3L
30	72395446	1	SUPPORT	
31	72315629	2	HEXAGONAL HEAD BOLT	DIN 933 M6 X 12-8.8A3L
32	72315052	2	SPLIT WASHER	FWN 65208-6-A3L
33	72313266	2	NUT	DIN 934 M6-8A3L
34	72348547	1	PIPE CLAMP	
38	72348545	1	AIR FILTER	
			>>39-42	
39	72332126	1	SAFETY CARTRIDGE	
40	72339030	1	COLLAR NUT	
41	72332441	1	MICRO-TOP CARTRIDGE	
42	72372827	1	NUT	DIN 934 M16X1,5-10A3L
44	72409107	1	ABSORPTION INDICATOR	
46	72373517	1	CLAMPING CLIP	
47	72356718	1	ELBOW FITTING	
48	72393688	1	BELLOWS	
50	72377222	2	COVER	DIN 443-40
51	72492958	1	HOSE CLIP	59-83

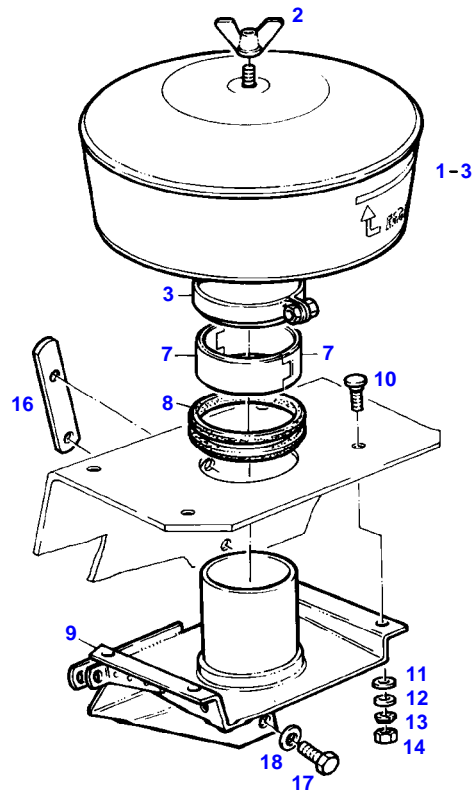
FARMER 307 (170/02001-99999)  
4270



4270

Item	Part Number	Qty	Description Comments	Technical Specification
			<b>PICO</b> <b>&lt;--170/2821</b>	
1	72393790	2	THREADED PLATE	
2	72356719	1	AIR INTAKE	
3	72315645	4	HEXAGONAL HEAD BOLT	DIN 933 M8 X 12-8.8A3L
4	72315053	4	SPLIT WASHER	FWN 65208-8-A3L
5	72395424	1	STIFFENING PLATE	
6	72315789	6	SCREW	DIN 7981 ST4,8X9,5-C-H-A3
7	72311785	4	DISC	DIN 125-5,3-ST.A3L
8	72373806	4	TRUSS HEAD SCREW	DIN 603 M6X16-A3L
9	72311788	9	DISC	DIN 125-8,4-ST.A3L
10	72311787	4	DISC	DIN 125-6,4-ST.A3L
11	72315052	4	SPLIT WASHER	FWN 65208-6-A3L
12	72313266	4	NUT	DIN 934 M6-8A3L
13	72395425	1	GUSSET PLATE	
14	72395423	1	GUSSET PLATE	
15	72384104	1	CONNECTING PIPE	
16	72348546	1	CYCLONE AIR CLEANER ><17-22	
17	72321921	1	CATCH	
18	72330736	1	FUNNEL	
19	72320204	1	CONTAINER	
20	72328628	1	PIPE CLAMP	
21	72328615	1	HEXAGONAL HEAD BOLT	
22	72372784	1	SQUARE NUT	DIN 557 M8-5

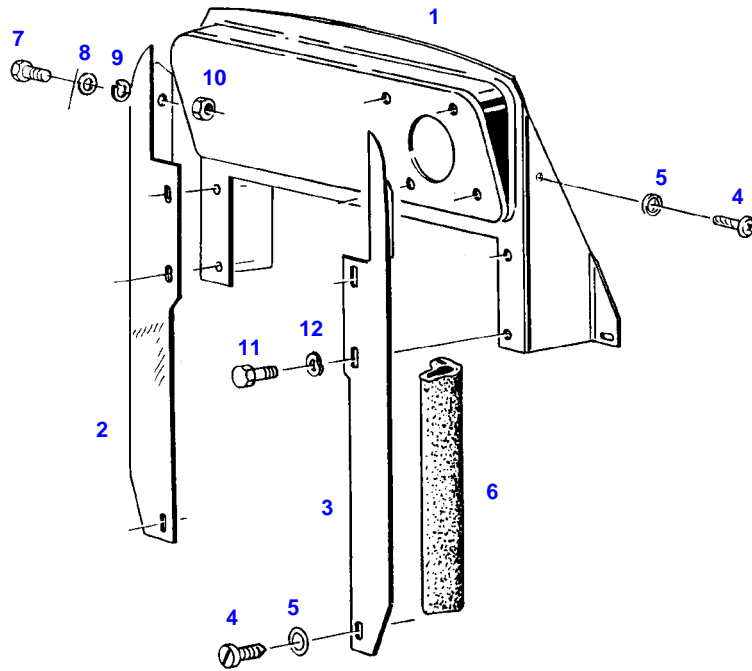
FARMER 307 (170/02001-99999)  
5994



7594

Item	Part Number	Qty	Description Comments	Technical Specification
			PICO <--170/2821	
1	72348552	1	PRE-CLEANER >>1-3	
	72311582	1	DUST CUP	
2	72313238	1	WING NUT	
3	72332464	1	HOSE CLIP	
7	72395448	2	HALF-BEARING	
8	72393690	1	SEALING RING	
9	72356750	1	AIR INTAKE	
10	72373806	4	TRUSS HEAD SCREW	DIN 603 M6X16-A3L
11	72311788	4	DISC	DIN 125-8,4-ST.A3L
12	72311787	4	DISC	DIN 125-6,4-ST.A3L
13	72315052	4	SPLIT WASHER	FWN 65208-6-A3L
14	72313266	4	NUT	DIN 934 M6-8A3L
16	72393790	1	THREADED PLATE	
17	72315645	2	HEXAGONAL HEAD BOLT	DIN 933 M8 X 12-8.8A3L
18	72315053	2	SPLIT WASHER	FWN 65208-8-A3L

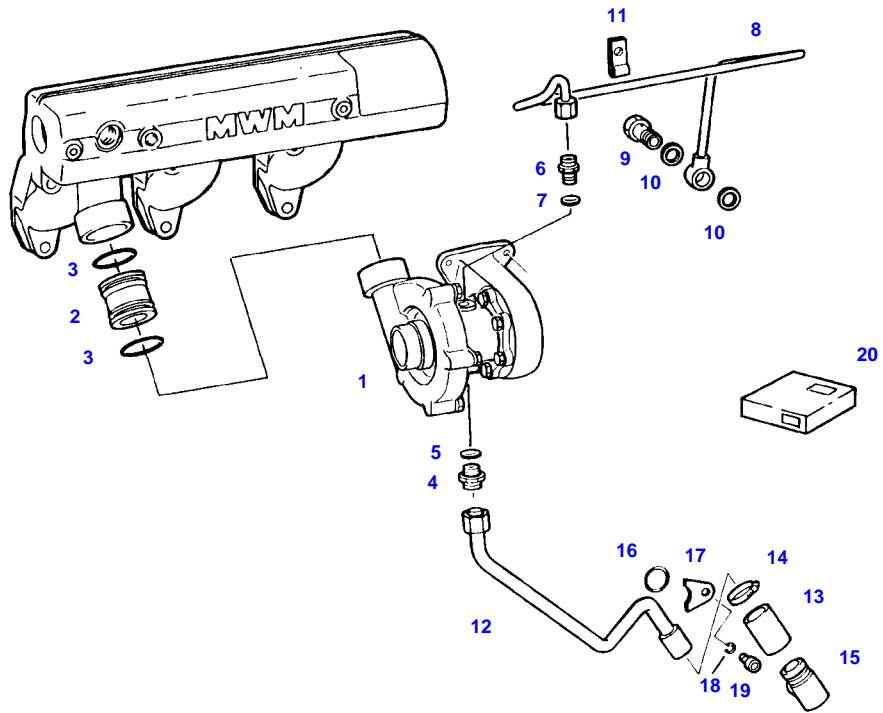
FARMER 307 (170/02001-99999)  
4908



4908

Item	Part Number	Qty	Description Comments	Technical Specification
1	72392142	1	FILTER BRACKET	
2	72392835	1	SPLASH PANEL	
3	72392834	1	SPLASH PANEL	
4	72315785	3	SCREW	DIN 7981 ST4,2X9,5-C-H-A3
5	72311817	3	DISC	DIN9021-4,3-140HV-A3L
6	72393692	1	SEALING PROFILE	
7	72315626	1	HEXAGONAL HEAD BOLT	DIN 933-M6 X 16-8.8-A3L
8	72311787	1	DISC	DIN 125-6,4-ST.A3L
9	72315052	1	SPLIT WASHER	FWN 65208-6-A3L
10	72313266	1	NUT	DIN 934 M6-8A3L
11	72315645	4	HEXAGONAL HEAD BOLT	DIN 933 M8 X 12-8.8A3L
12	72317121	4	SPRING WASHER	DIN 137 B8-MECH.VZK

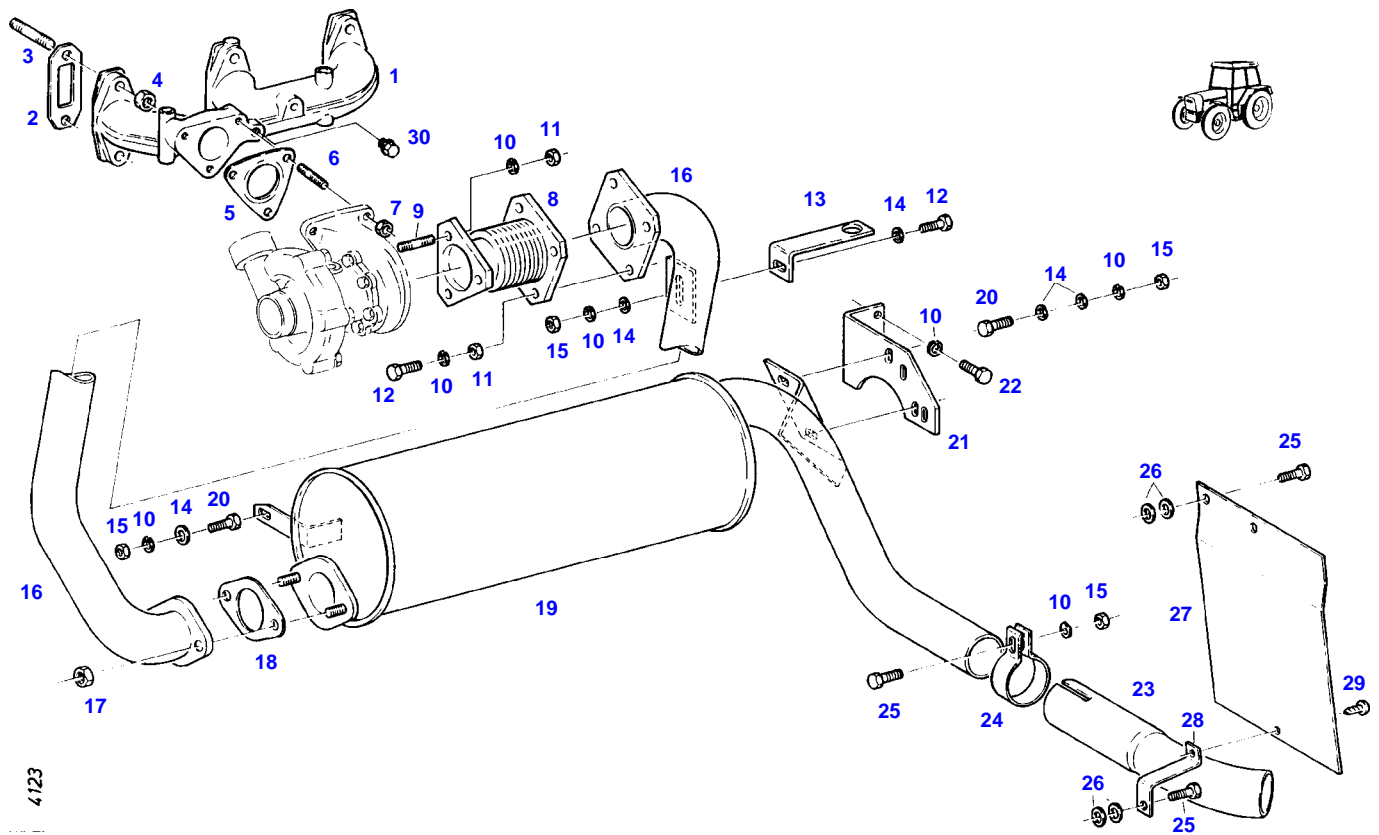
FARMER 307 (170/02001-99999)  
4115



4115

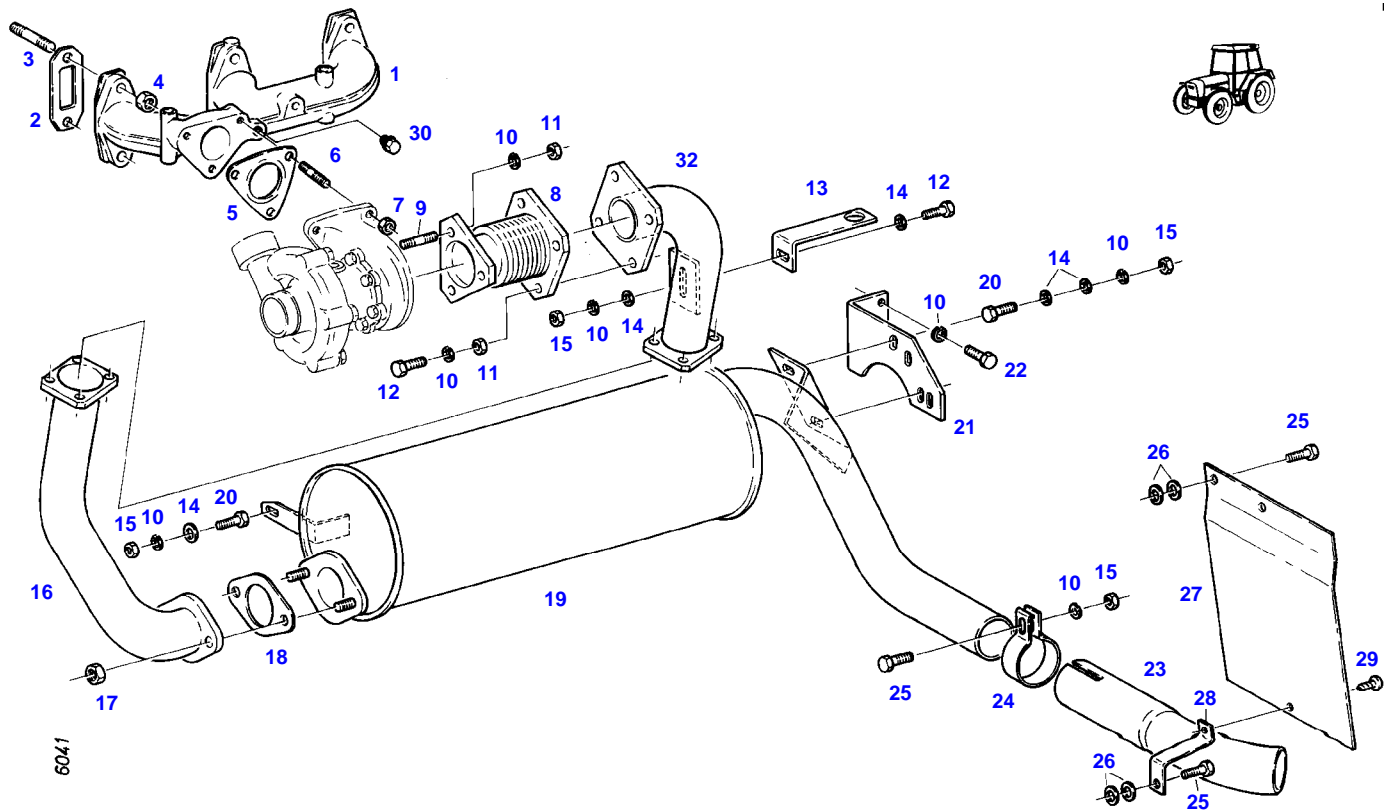
Item	Part Number	Qty	Description Comments	Technical Specification
1	72329531	1	TURBOCHARGER ><20	
2	72329534	1	CONNECTING PIECE	
3	72376526	2	O-RING	35X4
4	72377894	1	SCREW NECK	
5	72376066	1	SEALING WASHER	DIN 7603 D16X20-CU
6	72377895	1	SCREW NECK	DIN 3901-L8A-M-ST-A3L
7	72376065	1	SEALING WASHER	DIN 7603 D12X16-CU
8	72329535	1	LUBE OIL LINE	
9	72374956	1	BANJO BOLT	DIN7623/3.70-A10-6.8
10	72315098	2	SEALING WASHER	DIN 7603 A16X22-CU
11	72329536	1	PIPE CLAMP	
12	72329537	1	LUBE OIL LINE	
13	72332160	1	HOSE PIECE	
14	72311167	2	HOSE CLIP	
15	72343888	1	MANIFOLD	
16	72343889	1	SEAL	
17	72343890	1	RETAINING SHEET METAL	
18	72315053	1	SPLIT WASHER	FWN 65208-8-A3L
19	72315489	1	SOCKET HEAD BOLT	DIN 912-M8 X 16-8.8-A3L
20	72329532	1	SPARE PARTS KIT TURBO CHARGER	
	72329533	1	ROTOR ASSEMBLY SET TURBO CHARGER	

FARMER 307 (170/02001-99999)  
4123



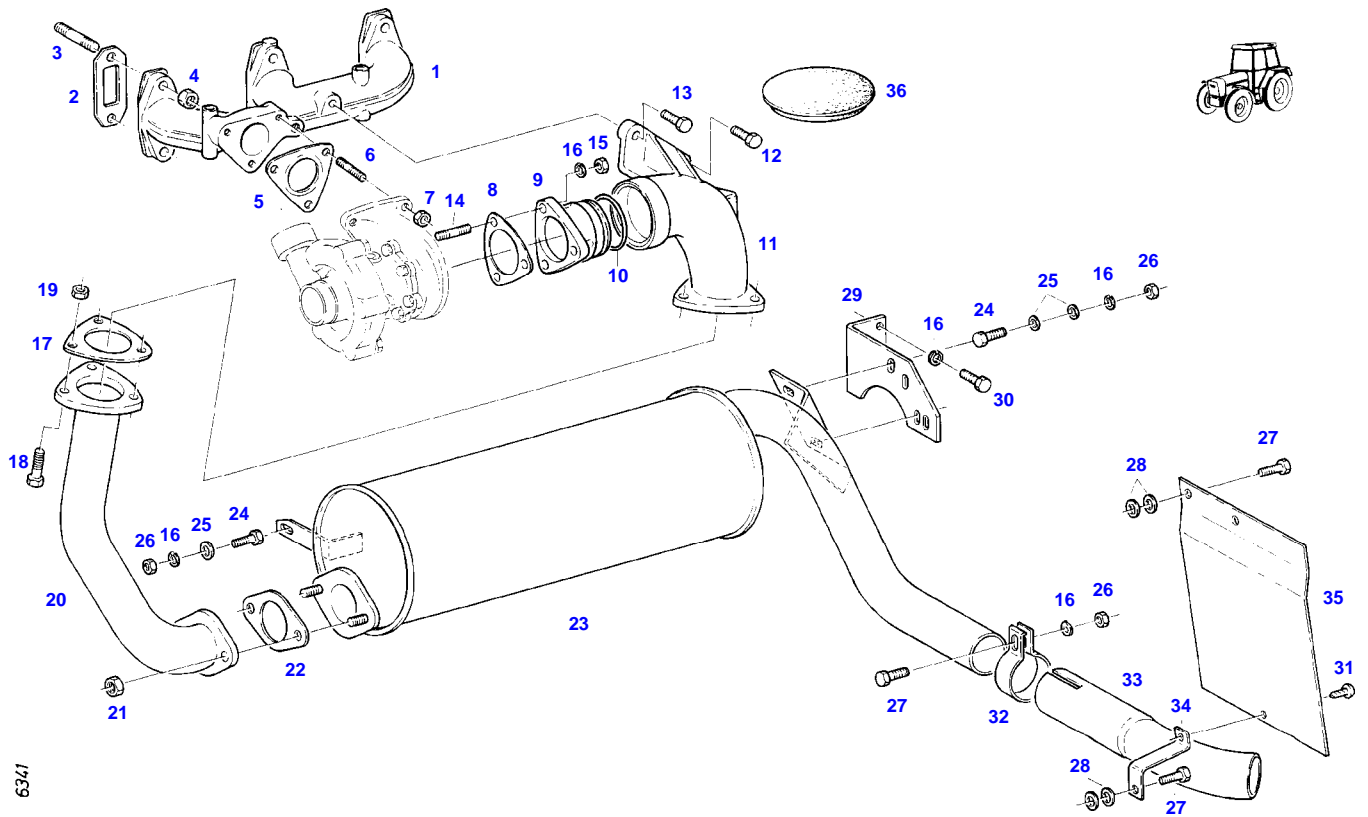
Item	Part Number	Qty	Description Comments	Technical Specification
			--> 170/3799	
1	72392839	1	EXHAUST PIPE	
2	72332145	3	MOLDED SEAL	
3	72313777	6	STUD BOLT	DIN 939 M10X35-8.8
4	72373015	6	NUT	DIN70615-M10-8-A3B
5	72329538	1	MOLDED SEAL	
6	72313770	3	STUD BOLT	FWN64891-M8X20-8.8
7	72372805	3	NUT	DIN 934 M8-10 C2A
8	72422404	1	EXHAUST COMPENSATOR <>	
	72392991	1	SEAL	
9	72313770	3	STUD BOLT	FWN64891-M8X20-8.8
10	72315053	14	SPLIT WASHER	FWN 65208-8-A3L
11	72313269	7	NUT	DIN 934 M8-8C2A
12	72315653	5	HEXAGONAL HEAD BOLT	DIN 933 M8 X 25-8.8A3L
13	72392838	1	ANGLE	
14	72311788	8	DISC	DIN 125-8,4-ST.A3L
15	72313268	5	NUT	DIN 934 M8-8A3L
16	72355447	1	EXHAUST PIPE	
17	72373015	2	NUT	DIN70615-M10-8-A3B
18	72376173	1	SEAL	DIN71511-56X82X1,5-ST AFM5M.E.
19	72355444	1	EXHAUST MUFFLER	
20	72315646	3	HEXAGONAL HEAD BOLT	DIN 933 M8X18-8.8A3L
21	72396312	1	RETAINING BRACKET	
22	72315642	2	HEXAGONAL HEAD BOLT	DIN 933 M8 X 16-8.8A3L
23	72393695	1	EXHAUST TAILPIPE	
24	72373437	1	PIPE CLAMP	DIN71555-63,5 EDELSTAHL
25	72315657	4	HEXAGONAL HEAD BOLT	DIN 933 M8 X 30-8.8A3L
26	72311824	6	DISC	DIN9021-8,4-140HV-A3L
27	72395464	1	DEFLECTOR	
28	72393697	1	RETAINER	
29	72315820	1	SCREW	DIN7976-ST6,3X13-C-A3L
30	72315431	1	SCREW	DIN 906-M10X1-ST

FARMER 307 (170/02001-99999)  
6041



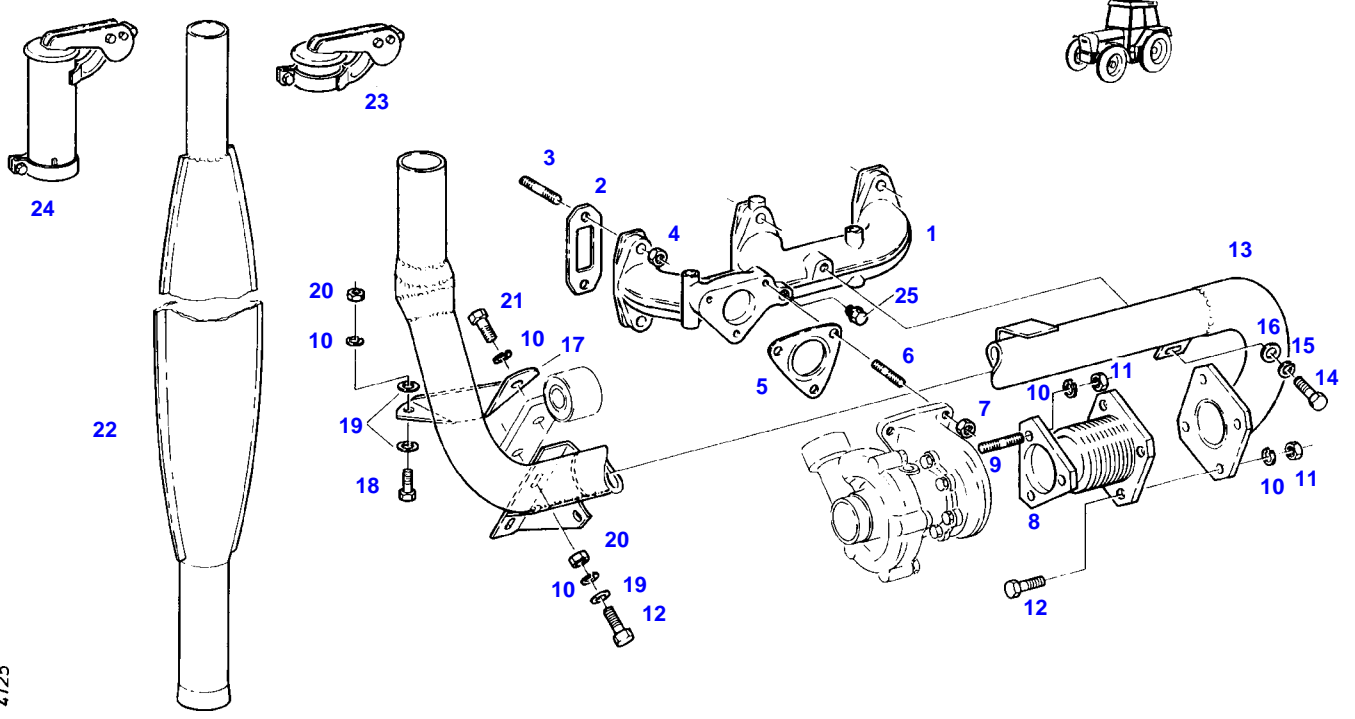
Item	Part Number	Qty	Description Comments	Technical Specification
<b>ENGINE BRAKE</b>				
1	72392839	1	EXHAUST PIPE	
2	72332145	3	MOLDED SEAL	
3	72313777	6	STUD BOLT	DIN 939 M10X35-8.8
4	72373015	6	NUT	DIN70615-M10-8-A3B
5	72329538	1	MOLDED SEAL	
6	72313770	3	STUD BOLT	FWN64891-M8X20-8.8
7	72372805	3	NUT	DIN 934 M8-10 C2A
8	72422404	1	EXHAUST COMPENSATOR <>	
	72392991	1	SEAL	
9	72313770	3	STUD BOLT	FWN64891-M8X20-8.8
10	72315053	14	SPLIT WASHER	FWN 65208-8-A3L
11	72313269	7	NUT	DIN 934 M8-8C2A
12	72315653	5	HEXAGONAL HEAD BOLT	DIN 933 M8 X 25-8.8A3L
13	72392838	1	ANGLE	
14	72311788	8	DISC	DIN 125-8,4-ST.A3L
15	72313268	5	NUT	DIN 934 M8-8A3L
16	72355455	1	EXHAUST PIPE	
17	72373015	2	NUT	DIN70615-M10-8-A3B
18	72376173	1	SEAL	DIN71511-56X82X1,5-ST AFM5M.E.
19	72355444	1	EXHAUST MUFFLER	
20	72315646	3	HEXAGONAL HEAD BOLT	DIN 933 M8X18-8.8A3L
21	72396312	1	RETAINING BRACKET	
22	72315642	2	HEXAGONAL HEAD BOLT	DIN 933 M8 X 16-8.8A3L
23	72393695	1	EXHAUST TAILPIPE	
24	72373437	1	PIPE CLAMP	DIN71555-63,5 EDELSTAHL
25	72315657	4	HEXAGONAL HEAD BOLT	DIN 933 M8 X 30-8.8A3L
26	72311824	6	DISC	DIN9021-8,4-140HV-A3L
27	72395464	1	DEFLECTOR	
28	72393697	1	RETAINER	
29	72315820	1	SCREW	DIN7976-ST6,3X13-C-A3L
30	72315431	1	SCREW	DIN 906-M10X1-ST
32	72355454	1	EXHAUST PIPE	

FARMER 307 (170/02001-99999)  
6341



Item	Part Number	Qty	Description Comments	Technical Specification
			<-- 170/3800	
1	72392839	1	EXHAUST PIPE	
2	72332145	3	MOLDED SEAL	
3	72374648	6	STUD BOLT	DIN 939 M10X40-10.9
4	72373015	6	NUT	DIN70615-M10-8-A3B
5	72329538	1	MOLDED SEAL	
6	72313770	3	STUD BOLT	FWN64891-M8X20-8.8
7	72372805	3	NUT	DIN 934 M8-10 C2A
8	72392991	1	SEAL	
9	72392990	1	FLANGE	
10	72332980	1	LAMELLAR RING	
11	72392989	1	MANIFOLD	
12	72374440	1	HEXAGONAL HEAD BOLT	DIN 933 M10X22-8.8
13	72315681	1	HEXAGONAL HEAD BOLT	DIN 933 M10X25-8.8A3L
14	72313770	3	STUD BOLT	FWN64891-M8X20-8.8
15	72313269	3	NUT	DIN 934 M8-8C2A
16	72315053	9	SPLIT WASHER	FWN 65208-8-A3L
17	72407298	1	MOLDED SEAL	
18	72315657	3	HEXAGONAL HEAD BOLT	DIN 933 M8 X 30-8.8A3L
19	72313269	3	NUT	DIN 934 M8-8C2A
20	72355522	1	EXHAUST PIPE	
	72355530	1	EXHAUST PIPE ENGINE BRAKE	
21	72313273	2	NUT	DIN 934 M10-MS
22	72376173	1	SEAL	DIN71511-56X82X1,5-ST AFM5M.E.
23	72355444	1	EXHAUST MUFFLER	
24	72315646	3	HEXAGONAL HEAD BOLT	DIN 933 M8X18-8.8A3L
25	72311788	6	DISC	DIN 125-8,4-ST.A3L
26	72313268	4	NUT	DIN 934 M8-8A3L
27	72315657	4	HEXAGONAL HEAD BOLT	DIN 933 M8 X 30-8.8A3L
28	72311824	6	DISC	DIN9021-8,4-140HV-A3L
29	72396312	1	RETAINING BRACKET	
30	72315642	2	HEXAGONAL HEAD BOLT	DIN 933 M8 X 16-8.8A3L
31	72315820	1	SCREW	DIN7976-ST6,3X13-C-A3L
32	72373437	1	PIPE CLAMP	DIN71555-63,5 EDELSTAHL
33	72393695	1	EXHAUST TAILPIPE	
34	72393697	1	RETAINER	
35	72395464	1	DEFLECTOR	
36	72395945	1	COVER	

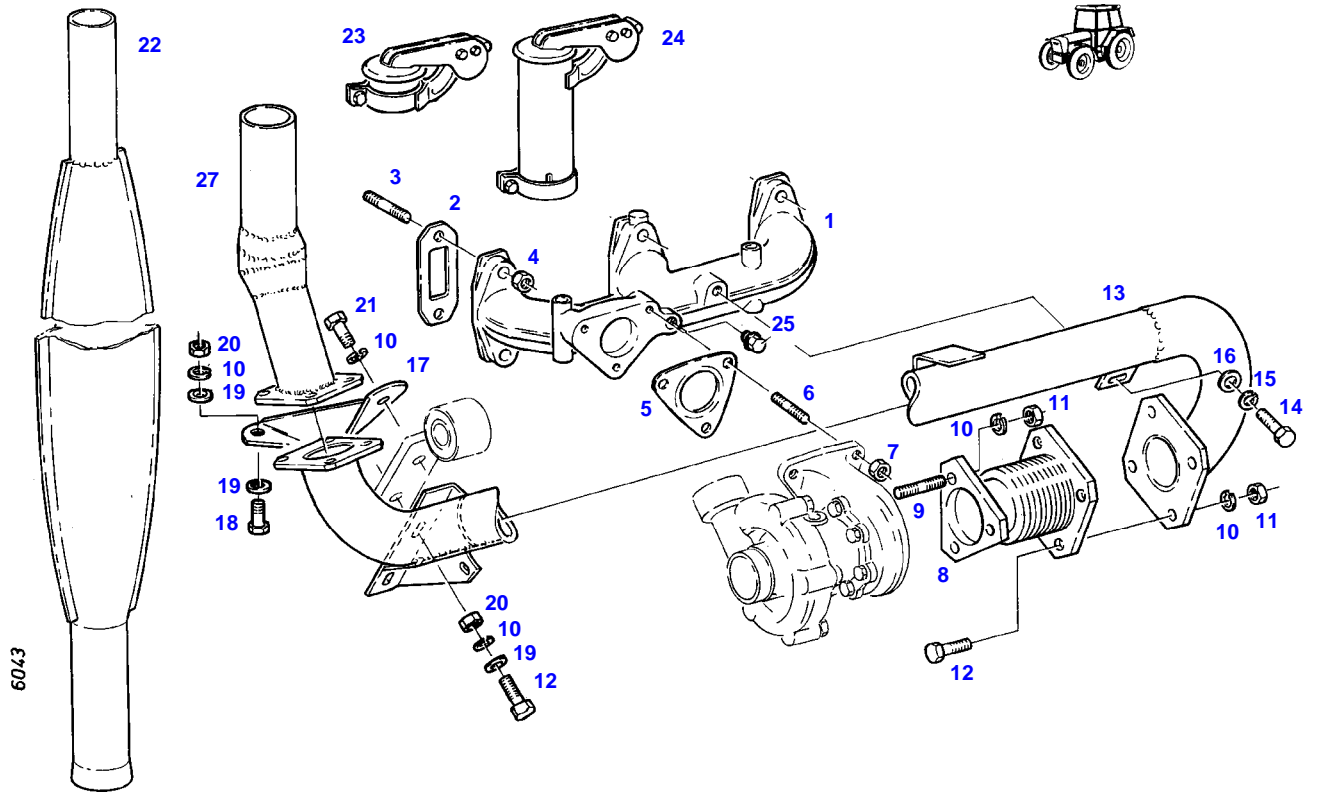
FARMER 307 (170/02001-99999)  
4125



4125

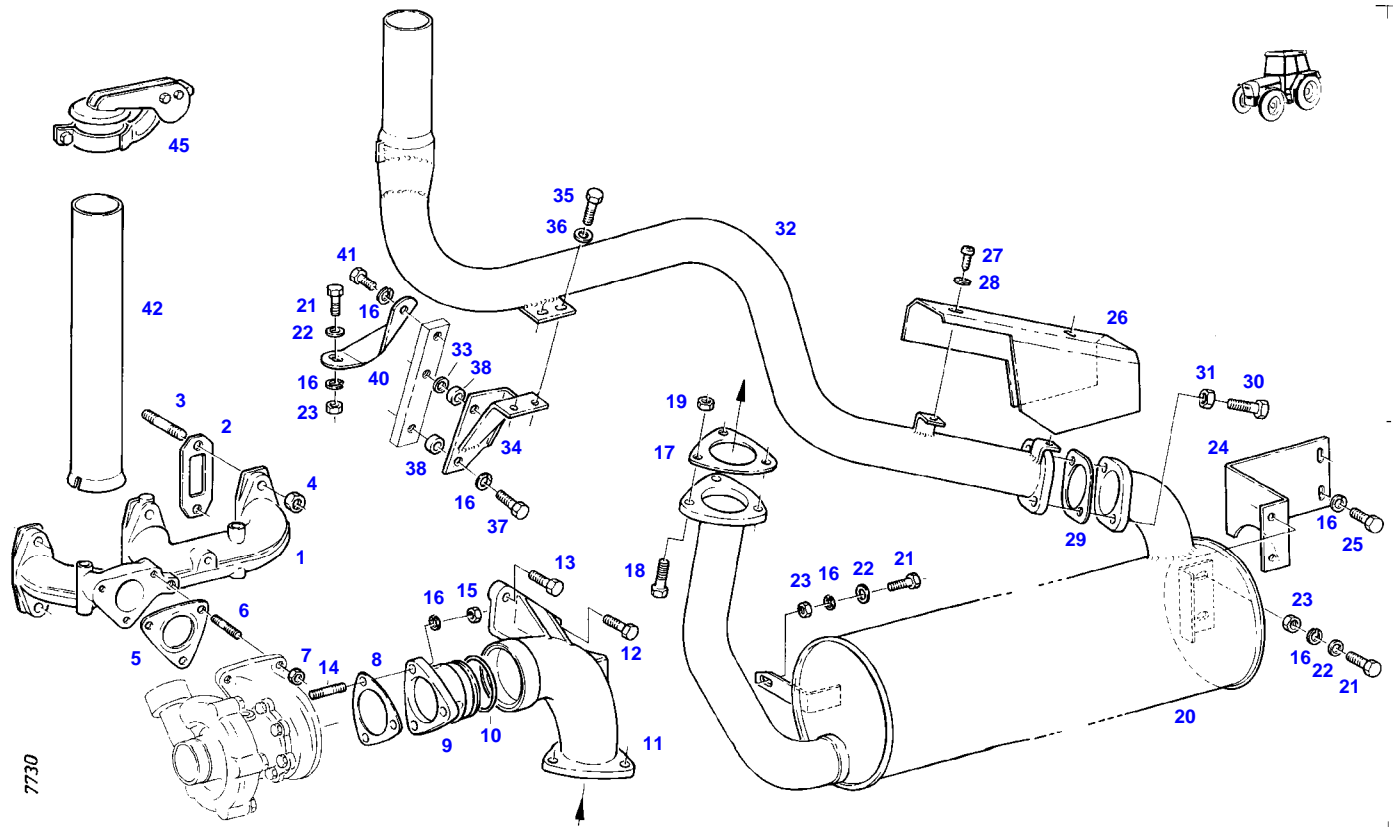
Item	Part Number	Qty	Description Comments	Technical Specification
			--> 170/3799	
1	72392839	1	EXHAUST PIPE	
2	72332145	3	MOLDED SEAL	
3	72374648	6	STUD BOLT	DIN 939 M10X40-10.9
4	72373015	6	NUT	DIN70615-M10-8-A3B
5	72329538	1	MOLDED SEAL	
6	72313770	3	STUD BOLT	FWN64891-M8X20-8.8
7	72372805	3	NUT	DIN 934 M8-10 C2A
8	72422404	1	EXHAUST COMPENSATOR	
			<>	
	72392991	1	SEAL	
9	72313770	3	STUD BOLT	FWN64891-M8X20-8.8
10	72315053	10	SPLIT WASHER	FWN 65208-8-A3L
11	72313269	7	NUT	DIN 934 M8-8C2A
12	72315654	5	HEXAGONAL HEAD BOLT	DIN 933 M8X28-8.8A3L
13	72355453	1	EXHAUST PIPE	
14	72315679	1	HEXAGONAL HEAD BOLT	DIN 933 M10X20-8.8A3L
15	72315054	1	SPLIT WASHER	FWN 65208-10-A3L
16	72311789	1	DISC	DIN 125-10,5-ST.A3L
17	72392840	1	ANGLE	
18	72315650	1	HEXAGONAL HEAD BOLT	DIN 933 M8 X 20-8.8A3L
19	72311788	2	DISC	DIN 125-8,4-ST.A3L
20	72313268	2	NUT	DIN 934 M8-8A3L
21	72315645	1	HEXAGONAL HEAD BOLT	DIN 933 M8 X 12-8.8A3L
22	72355445	1	EXHAUST MUFFLER	
23	72348549	1	EXHAUST WEATHER CAP	
24	72451055	1	EXHAUST EXTENSION	UP WITH WEATHER CAP
25	72315431	1	SCREW	DIN 906-M10X1-ST

FARMER 307 (170/02001-99999)  
6043



Item	Part Number	Qty	Description Comments	Technical Specification
<b>ENGINE BRAKE</b>				
1	72392839	1	EXHAUST PIPE	
2	72332145	3	MOLDED SEAL	
3	72374648	6	STUD BOLT	DIN 939 M10X40-10.9
4	72373015	6	NUT	DIN70615-M10-8-A3B
5	72329538	1	MOLDED SEAL	
6	72313770	3	STUD BOLT	FWN64891-M8X20-8.8
7	72372805	3	NUT	DIN 934 M8-10 C2A
8	72422404	1	EXHAUST COMPENSATOR <>	
	72392991	1	SEAL	
9	72313770	3	STUD BOLT	FWN64891-M8X20-8.8
10	72315053	10	SPLIT WASHER	FWN 65208-8-A3L
11	72313269	7	NUT	DIN 934 M8-8C2A
12	72315654	5	HEXAGONAL HEAD BOLT	DIN 933 M8X28-8.8A3L
13	72355456	1	EXHAUST PIPE	
14	72315679	1	HEXAGONAL HEAD BOLT	DIN 933 M10X20-8.8A3L
15	72315054	1	SPLIT WASHER	FWN 65208-10-A3L
16	72311789	1	DISC	DIN 125-10,5-ST.A3L
17	72392840	1	ANGLE	
18	72315650	1	HEXAGONAL HEAD BOLT	DIN 933 M8 X 20-8.8A3L
19	72311788	2	DISC	DIN 125-8,4-ST.A3L
20	72313268	2	NUT	DIN 934 M8-8A3L
21	72315645	1	HEXAGONAL HEAD BOLT	DIN 933 M8 X 12-8.8A3L
22	72355445	1	EXHAUST MUFFLER	
23	72348549	1	EXHAUST WEATHER CAP	
24	72451055	1	EXHAUST EXTENSION	UP WITH WEATHER CAP
25	72315431	1	SCREW	DIN 906-M10X1-ST
27	72355457	1	EXHAUST PIPE	

FARMER 307 (170/02001-99999)  
7730



Item	Part Number	Qty	Description Comments	Technical Specification
			<-- 170/3800	
1	72392839	1	EXHAUST PIPE	
2	72332145	3	MOLDED SEAL	
3	72374648	6	STUD BOLT	DIN 939 M10X40-10.9
4	72373015	6	NUT	DIN70615-M10-8-A3B
5	72329538	1	MOLDED SEAL	
6	72313770	3	STUD BOLT	FWN64891-M8X20-8.8
7	72372805	3	NUT	DIN 934 M8-10 C2A
8	72392991	1	SEAL	
9	72392990	1	FLANGE	
10	72332980	1	LAMELLAR RING	
11	72392989	1	MANIFOLD	
12	72374440	1	HEXAGONAL HEAD BOLT	DIN 933 M10X22-8.8
13	72315681	1	HEXAGONAL HEAD BOLT	DIN 933 M10X25-8.8A3L
14	72313770	3	STUD BOLT	FWN64891-M8X20-8.8
15	72313269	3	NUT	DIN 934 M8-8C2A
16	72315053	12	SPLIT WASHER	FWN 65208-8-A3L
17	72407298	1	MOLDED SEAL	
18	72315657	3	HEXAGONAL HEAD BOLT	DIN 933 M8 X 30-8.8A3L
19	72313269	3	NUT	DIN 934 M8-8C2A
20	72355532	1	EXHAUST MUFFLER	
			<>	
	72407298	2	MOLDED SEAL	
	72393009	1	INTERMEDIATE PIECE	
	72315539	3	HEXAGONAL HEAD BOLT	DIN 931 M8X80-8.8 A3L
	72355532	1	EXHAUST MUFFLER	
			ENGINE BRAKE	
21	72315646	4	HEXAGONAL HEAD BOLT	DIN 933 M8X18-8.8A3L
22	72311788	8	DISC	DIN 125-8,4-ST.A3L
23	72313268	4	NUT	DIN 934 M8-8A3L
24	72392992	1	RETAINING BRACKET	
25	72315642	2	HEXAGONAL HEAD BOLT	DIN 933 M8 X 16-8.8A3L
26	72392994	1	SHROUD PANEL	
27	72315820	2	SCREW	DIN7976-ST6,3X13-C-A3L
28	72311822	2	DISC	DIN9021-6,4-140HV-A3L
29	72376173	1	SEAL	DIN71511-56X82X1,5-ST AFM5M.E.
30	72315685	2	HEXAGONAL HEAD BOLT	DIN 933 M10X30-8.8A3L
31	72313273	2	NUT	DIN 934 M10-MS
32	72355523	1	EXHAUST PIPE	
33	72311809	2	DISC	DIN 440-R9-ST-A3L
34	72355526	1	RETAINER	
35	72315650	2	HEXAGONAL HEAD BOLT	DIN 933 M8 X 20-8.8A3L
36	72311824	2	DISC	DIN9021-8,4-140HV-A3L
37	72315657	2	HEXAGONAL HEAD BOLT	DIN 933 M8 X 30-8.8A3L
38	72400319	2	DISC	
40	72392840	1	ANGLE	
41	72315645	1	HEXAGONAL HEAD BOLT	DIN 933 M8 X 12-8.8A3L
42	72355528	1	END PIPE	
			<>	
	72348670	1	EXTENSION TUBE	
45	72348233	1	EXHAUST WEATHER CAP	



Item	Part Number	Qty	Description Comments	Technical Specification
<b>EXHAUST TO BOTTOM</b>				
1	72356732	1	FOOT LEVER	
2	72317146	1	LOCK WASHER	DIN6799-12-A3L
3	72394196	1	CARRIER	
4	72310596	2	BUSH	
5	72315054	1	SPLIT WASHER	FWN 65208-10-A3L
6	72313272	1	NUT	DIN 934 M10-8A3L
7	72315630	1	HEXAGONAL HEAD BOLT	DIN 933 M6X18-8.8A3L
8	72313266	1	NUT	DIN 934 M6-8A3L
9	72313318	1	NUT	DIN6925-M6-8-A3L
10	72394186	1	PULLING SPRING	
11	72313879	1	COTTER	DIN 94-5X20-ST.A3L
13	72377280	1	BELLOWS	
14	72395433	1	ROD	
15	72356729	1	LEVER	
16	72311180	3	DUO-CLIP	8 SXN10
17	72393653	2	BUSH	
18	72380934	1	STOP LIGHT SWITCH	
19	72310699	1	BUSH	
20	72380433	1	PULLING SPRING	
21	72375133	1	TENSIONING PIN	ISO8752-4X24-A-ST-OB3
22			NO LONGER AVAILABLE	
23	72316916	3	CABLE STRAP	FWN 66650 B175X4-SW
24	72379227	1	CABLE CONNECTOR	
26	72314785	1	PLUG IN SLEEVE	
27	72395435	1	ANGLE	
28	72356731	1	CARRIER	
29	72315657	2	HEXAGONAL HEAD BOLT	DIN 933 M8 X 30-8.8A3L
30	72311817	3	DISC	DIN9021-4,3-140HV-A3L
32	72355458	1	LEVER	
33	72392841	1	ROD	
34	72333529	2	CABLE CLAMP	
35	72450805	1	ROPE 1X 450 MM CUT TO LENGTH	L=1000 DIN 3055-2-FE-ZNK 15
36	72316304	1	BALL SOCKET	DIN 71805 B13-A3L
37	72313268	1	NUT	DIN 934 M8-8A3L
39	72315526	4	HEXAGONAL HEAD BOLT	DIN 931 M8X95-8.8A3L
40	72313269	4	NUT	DIN 934 M8-8C2A
42	72348207	1	ENGINE BRAKE	
43	72331323	2	SQUARE SEAL	
45	72316492	1	PULLING SPRING	
46	72315617	1	HEXAGONAL HEAD BOLT	DIN 933 M4X30-8.8A3L
47	72313263	1	NUT	DIN 934 M4-8A3L



Item	Part Number	Qty	Description Comments	Technical Specification
<b>EXHAUST UPRIGHT</b>				
1	72356732	1	FOOT LEVER	
2	72317146	1	LOCK WASHER	DIN6799-12-A3L
3	72310596	2	BUSH	
4	72315054	1	SPLIT WASHER	FWN 65208-10-A3L
5	72313272	1	NUT	DIN 934 M10-8A3L
6	72394196	1	CARRIER	
7	72315630	3	HEXAGONAL HEAD BOLT	DIN 933 M6X18-8.8A3L
8	72313266	3	NUT	DIN 934 M6-8A3L
9	72313318	2	NUT	DIN6925-M6-8-A3L
10	72394186	1	PULLING SPRING	
11	72313879	1	COTTER	DIN 94-5X20-ST.A3L
13	72377280	1	BELLOWS	
14	72395433	1	ROD	
15	72356729	1	LEVER	
16	72311180	3	DUO-CLIP	8 SXN10
17	72393653	4	BUSH	
18	72380934	1	STOP LIGHT SWITCH	
19	72310699	1	BUSH	
20	72380433	1	PULLING SPRING	
21	72375133	1	TENSIONING PIN	ISO8752-4X24-A-ST-OB3
22			NO LONGER AVAILABLE	
23	72316916	3	CABLE STRAP	FWN 66650 B175X4-SW
24	72379227	1	CABLE CONNECTOR	
26	72314785	1	PLUG IN SLEEVE	
27	72395438	1	ANGLE	
28	72356731	1	CARRIER	
29	72315657	2	HEXAGONAL HEAD BOLT	DIN 933 M8 X 30-8.8A3L
31	72356730	1	LEVER	
32	72311787	2	DISC	DIN 125-6,4-ST.A3L
33	72315052	2	SPLIT WASHER	FWN 65208-6-A3L
34	72333529	2	CABLE CLAMP	
35	72450805	1	ROPE 1X 450 MM CUT TO LENGTH	L=1000 DIN 3055-2-FE-ZNK 15
38	72313268	3	NUT	DIN 934 M8-8A3L
41	72392842	1	ROD	
42	72311309	2	CLEVIS	DIN 71752 G8X32-A3L
43	72372473	2	BOLT	FWN 64072 8X32 A3L
44	72355459	1	REVERSING LEVER	
45	72395435	1	ANGLE	
46	72314272	1	PIPE	
47	72311822	1	DISC	DIN9021-6,4-140HV-A3L
48	72315521	1	HEXAGONAL HEAD BOLT	DIN 931 M6X60-8.8A3L
49	72392843	1	ROD	
50	72315526	4	HEXAGONAL HEAD BOLT	DIN 931 M8X95-8.8A3L
51	72313269	4	NUT	DIN 934 M8-8C2A
52	72316304	1	BALL SOCKET	DIN 71805 B13-A3L
53	72348207	1	ENGINE BRAKE	
54	72331323	2	SQUARE SEAL	
56	72316492	1	PULLING SPRING	
57	72315617	1	HEXAGONAL HEAD BOLT	DIN 933 M4X30-8.8A3L
58	72313263	1	NUT	DIN 934 M4-8A3L
60	72311817	3	DISC	DIN9021-4,3-140HV-A3L



**Suggest:**

**For more complete manuals. Please go to the home page.**

**<https://www.ebooklibonline.com>**

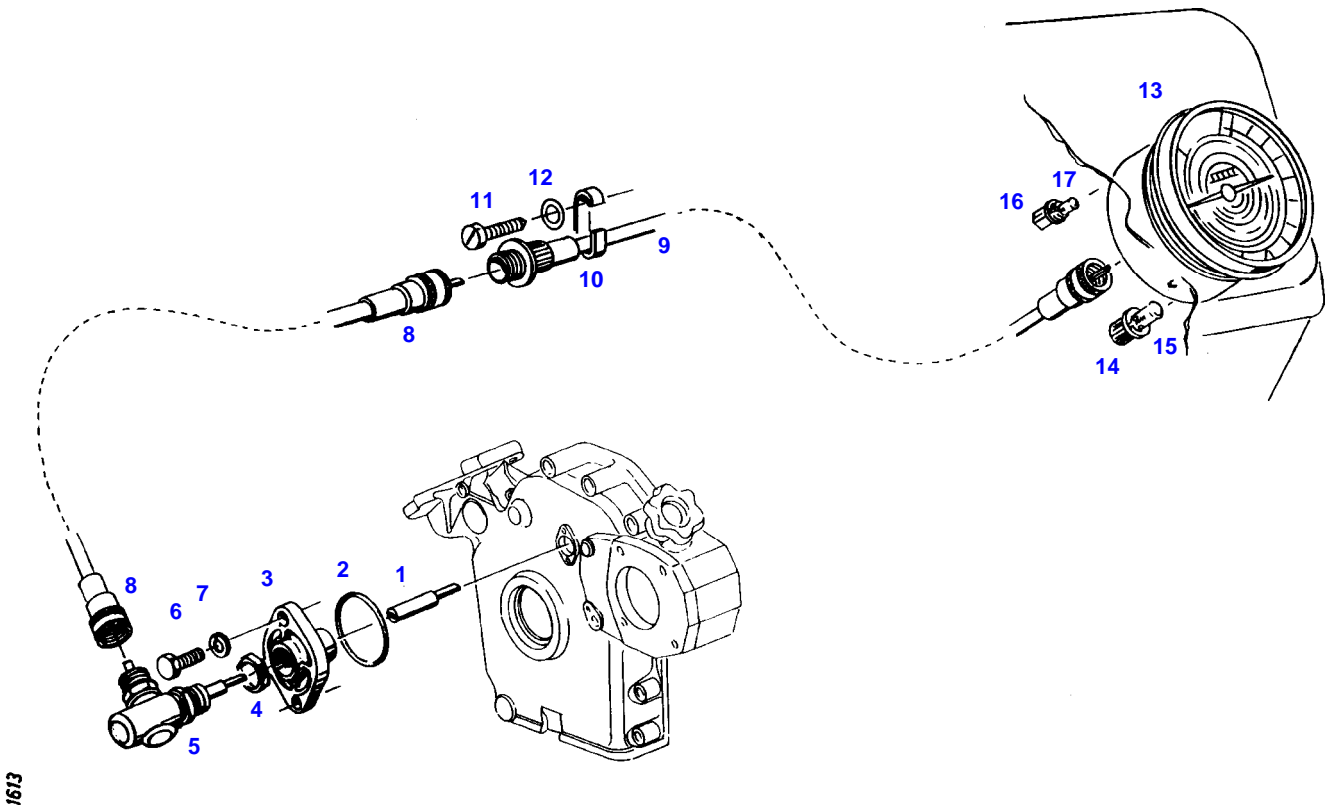
**If the above button click is invalid. Please download this document first, and then click the above link to download the complete manual.**

**Thank you so much for reading**



Item	Part Number	Qty	Description Comments	Technical Specification
			<-- 170/3800	
1	72356732	1	FOOT LEVER	
2	72317146	1	LOCK WASHER	DIN6799-12-A3L
3	72394196	1	CARRIER	
4	72310596	2	BUSH	
5	72315054	1	SPLIT WASHER	FWN 65208-10-A3L
6	72313272	1	NUT	DIN 934 M10-8A3L
7	72315630	1	HEXAGONAL HEAD BOLT	DIN 933 M6X18-8.8A3L
8	72313266	1	NUT	DIN 934 M6-8A3L
9	72313318	1	NUT	DIN6925-M6-8-A3L
10	72394186	1	PULLING SPRING	
11	72313879	1	COTTER	DIN 94-5X20-ST.A3L
13	72377280	1	BELLOWS	
14	72395433	1	ROD	
15	72356730	1	LEVER	
16	72311180	3	DUO-CLIP	8 SXN10
17	72393653	2	BUSH	
18	72380934	1	STOP LIGHT SWITCH	
19	72310699	1	BUSH	
20	72380433	1	PULLING SPRING	
21	72375133	1	TENSIONING PIN	ISO8752-4X24-A-ST-OB3
22			NO LONGER AVAILABLE	
23	72316916	3	CABLE STRAP	FWN 66650 B175X4-SW
24	72379227	1	CABLE CONNECTOR	
26	72314785	1	PLUG IN SLEEVE	
27	72395435	1	ANGLE	
28	72356731	1	CARRIER	
29	72315657	2	HEXAGONAL HEAD BOLT	DIN 933 M8 X 30-8.8A3L
30	72311817	3	DISC	DIN9021-4,3-140HV-A3L
32	72355458	1	LEVER	
33	72392998	1	ROD	
34	72333529	2	CABLE CLAMP	
35	72450805	1	ROPE 1X 450 MM CUT TO LENGTH	L=1000 DIN 3055-2-FE-ZNK 15
39	72315539	3	HEXAGONAL HEAD BOLT	DIN 931 M8X80-8.8 A3L
40	72313269	3	NUT	DIN 934 M8-8C2A
42	72348235	1	ENGINE BRAKE	
43	72407298	2	MOLDED SEAL	
45	72316492	1	PULLING SPRING	
46	72315617	1	HEXAGONAL HEAD BOLT	DIN 933 M4X30-8.8A3L
47	72313263	1	NUT	DIN 934 M4-8A3L
48	72311309	1	CLEVIS	DIN 71752 G8X32-A3L
49	72372473	1	BOLT	FWN 64072 8X32 A3L

FARMER 307 (170/02001-99999)  
1613



**<https://www.ebooklibonline.com>**

Hello dear friend!

Thank you very much for reading.

Enter the link into your browser.

The full manual is available for immediate download.

**<https://www.ebooklibonline.com>**