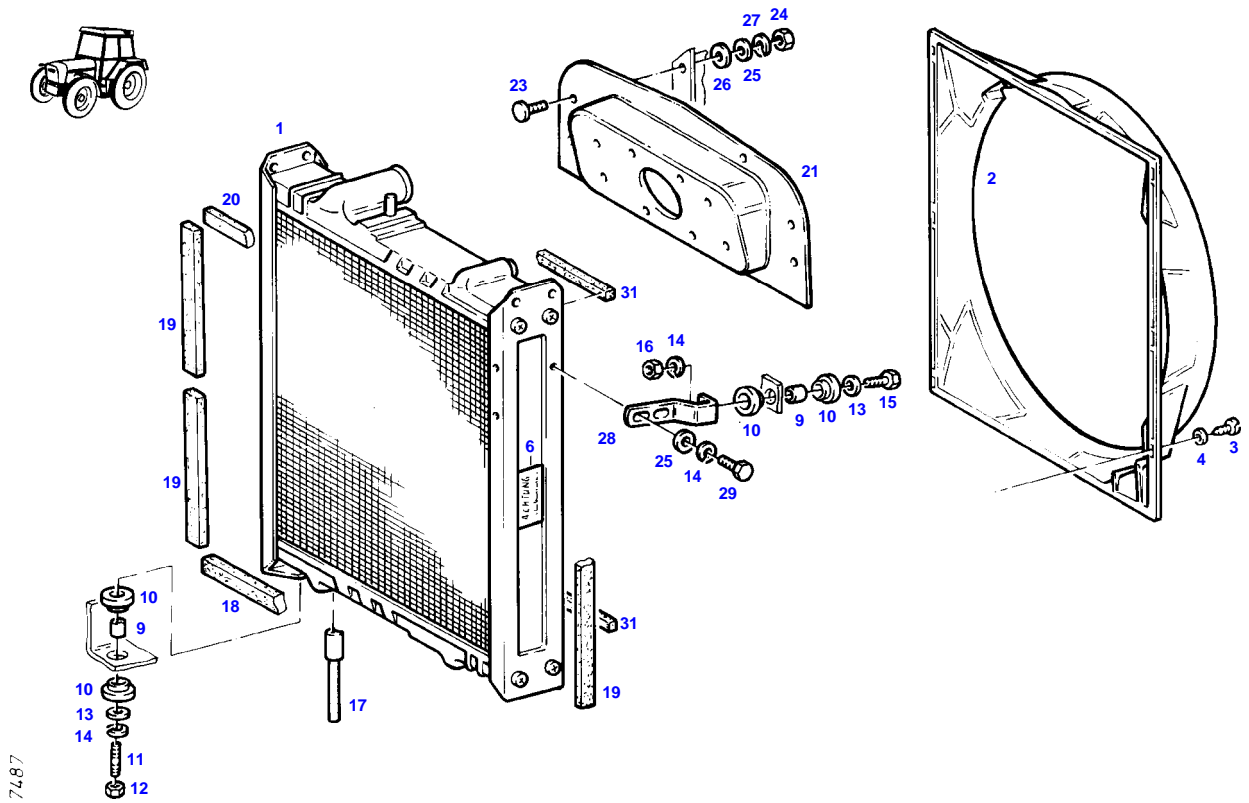


TABLE OF CONTENT

| Page Number | Page Title | Page Reference |
|--------------------|-------------------------------------|-----------------------|
| 01-000-TOC | ENGINE, FUEL AND EXHAUST SYSTEM | 01-000-TOC |
| 02-000-TOC | AXLES | 02-000-TOC |
| 03-000-TOC | STEERING SYSTEM | 03-000-TOC |
| 04-000-TOC | DRIVE TRAIN SYSTEM | 04-000-TOC |
| 05-000-TOC | COMPRESSED AIR SYSTEM | 05-000-TOC |
| 06-000-TOC | HYDRAULIC SYSTEM | 06-000-TOC |
| 07-000-TOC | ELECTRICAL SYSTEM | 07-000-TOC |
| 08-000-TOC | CAB | 08-000-TOC |
| 09-000-TOC | AIR CONDITIONING AND HEATING SYSTEM | 09-000-TOC |
| 10-000-TOC | CHASSIS | 10-000-TOC |
| 11-000-TOC | WHEELS | 11-000-TOC |
| 12-000-TOC | IMPLEMENT LIFT SYSTEM FRONT | 12-000-TOC |
| 13-000-TOC | IMPLEMENT LIFT SYSTEM REAR | 13-000-TOC |
| 14-000-TOC | FRONT/REAR LOADERS | 14-000-TOC |
| 15-000-TOC | ATTACHMENTS | 15-000-TOC |
| 16-000-TOC | ACCESSORIES | 16-000-TOC |

FARMER 306 (168/13001-99999)
7487



| Item | Part Number | Qty | Description Comments | Technical Specification |
|------|-------------|-----|--|--------------------------------|
| | | | <-- 168/20001 | |
| 1 | 72348555 | 1 | RADIATOR | |
| 2 | 72395456 | 1 | FAN COVER | |
| 3 | 72315818 | 6 | SCREW | DIN7976-ST4,2X25-C-A3L |
| 4 | 72311817 | 6 | DISC | DIN9021-4,3-140HV-A3L |
| 6 | 72379109 | 1 | MARKING PLATE | FWN66556-35X68-SCHUTZVORR.N.OE |
| 9 | 72310718 | 4 | BUSH | |
| 10 | 72312479 | 8 | UNIVERSAL SPOUT | |
| 11 | 72313772 | 2 | STUD BOLT | DIN 939 M8X30-8.8 |
| 12 | 72313320 | 2 | NUT | DIN6925-M8-8-A3L |
| 13 | 72311824 | 4 | DISC | DIN9021-8,4-140HV-A3L |
| 14 | 72315053 | 4 | SPLIT WASHER | FWN 65208-8-A3L |
| 15 | 72315660 | 2 | HEXAGONAL HEAD BOLT | DIN 933 M8X35-8.8A3L |
| 16 | 72313268 | 2 | NUT | DIN 934 M8-8A3L |
| 17 | 72397310 | 1 | DRAINAGE PIPING | |
| 18 | 72310182 | 1 | STRAP | |
| 19 | 72397315 | 4 | STRAP | |
| 20 | 72395459 | 1 | STRAP | |
| 21 | 72397306 | 1 | BARRIER WALL | |
| 23 | 72373806 | 5 | TRUSS HEAD SCREW | DIN 603 M6X16-A3L |
| 24 | 72313266 | 5 | NUT | DIN 934 M6-8A3L |
| 25 | 72311787 | 7 | DISC | DIN 125-6,4-ST.A3L |
| 26 | 72311788 | 5 | DISC | DIN 125-8,4-ST.A3L |
| 27 | 72315052 | 5 | SPLIT WASHER | FWN 65208-6-A3L |
| 28 | 72397309 | 2 | HOLDER | |
| 29 | 72315642 | 4 | HEXAGONAL HEAD BOLT | DIN 933 M8 X 16-8.8A3L |
| 31 | 72450560 | 1 | SEALING STRIP 2X 470MM CUT TO LENGTH | |

<https://www.ebooklibonline.com>

Hello dear friend!

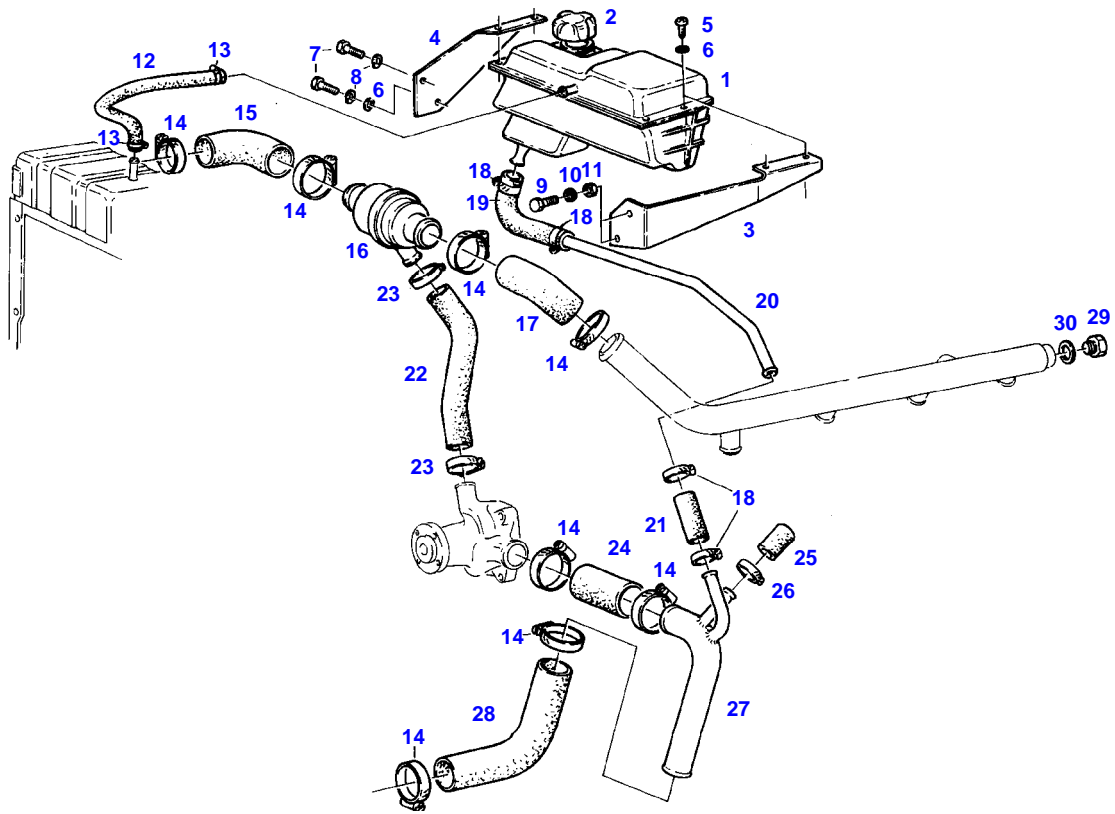
Thank you very much for reading.

Enter the link into your browser.

The full manual is available for immediate download.

<https://www.ebooklibonline.com>

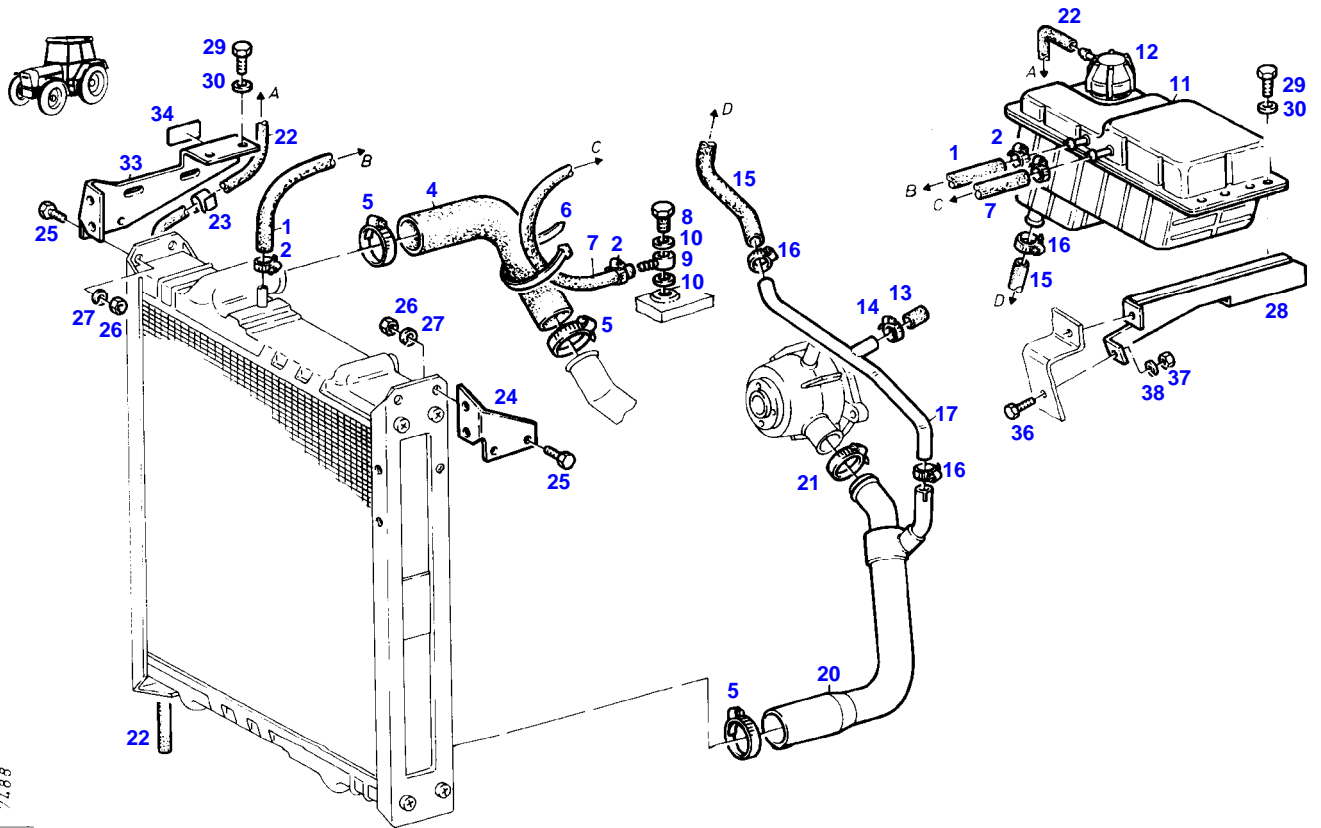
FARMER 306 (168/13001-99999)
6336



6336

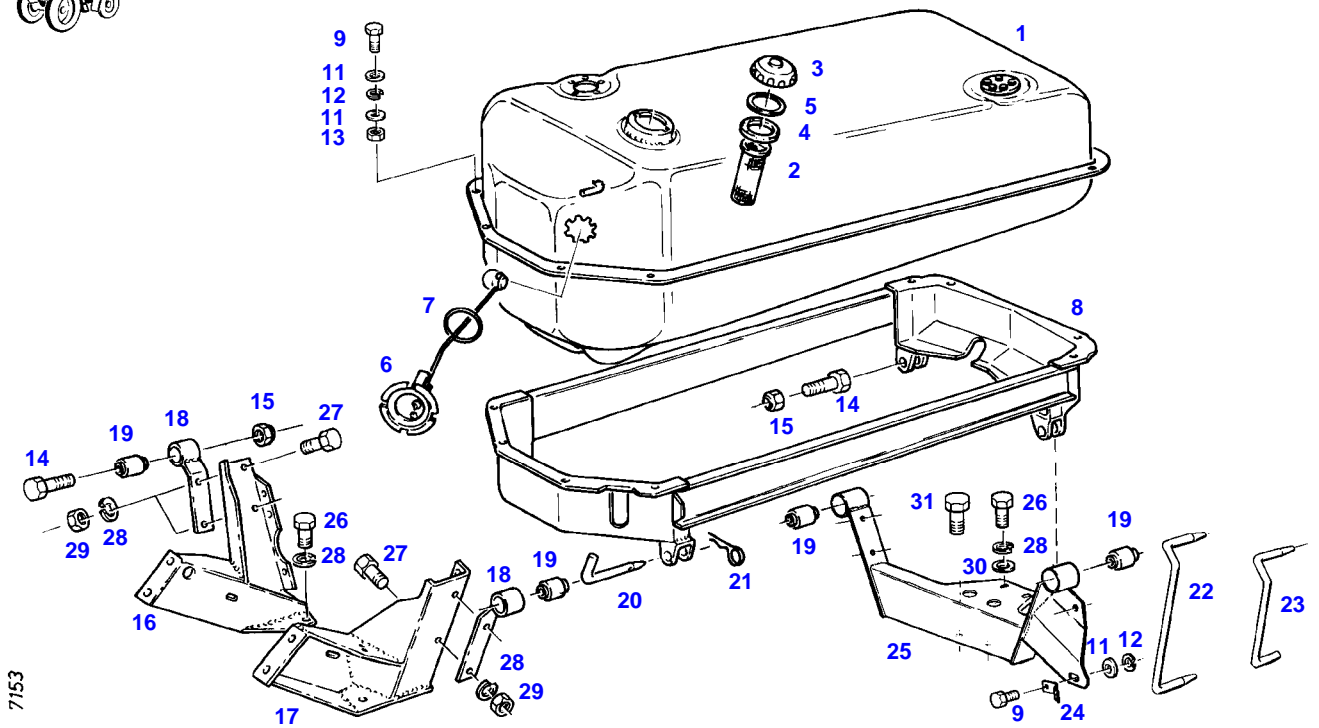
| Item | Part Number | Qty | Description Comments | Technical Specification |
|------|-------------|-----|--|---------------------------|
| | | | --> 168/20000 | |
| 1 | 72316897 | 1 | EXPANSION TANK <> | |
| | 72409370 | 1 | CAP | |
| | 72438345 | 1 | HOSE CLIP | |
| 2 | 72348672 | 1 | COLLER LOCKING | |
| 3 | 72392987 | 1 | BRACKET | |
| 4 | 72392988 | 1 | BRACKET | |
| 5 | 72315821 | 4 | SCREW | DIN7976-ST6,3X19-C-A3L |
| 6 | 72311822 | 5 | DISC | DIN9021-6,4-140HV-A3L |
| 7 | 72315629 | 2 | HEXAGONAL HEAD BOLT | DIN 933 M6 X 12-8.8A3L |
| 8 | 72315052 | 2 | SPLIT WASHER | FWN 65208-6-A3L |
| 9 | 72315642 | 2 | HEXAGONAL HEAD BOLT | DIN 933 M8 X 16-8.8A3L |
| 10 | 72315053 | 2 | SPLIT WASHER | FWN 65208-8-A3L |
| 11 | 72313268 | 2 | NUT | DIN 934 M8-8A3L |
| 12 | 72622024 | 1 | PRESSURE HOSE 1X 185MM CUT TO LENGTH | L=0,50M 8X3,5-FWN65911 |
| 13 | 72438345 | 2 | HOSE CLIP | |
| 14 | 72311162 | 8 | HOSE CLIP | |
| 15 | 72393666 | 1 | RUBBER ARCH | |
| 16 | 72380193 | 1 | THERMOSTAT | 75GR+-2GR |
| 17 | 72392140 | 1 | RUBBER ARCH | |
| 18 | 72311166 | 4 | HOSE CLIP | |
| 19 | 72435869 | 1 | RUBBER ARCH | |
| 20 | 72392830 | 1 | PIPE | |
| 21 | 72450412 | 1 | HOSE 1X 50MM CUT TO LENGTH | L=1000 18X3,5 R DIN 73411 |
| 22 | 72436027 | 1 | HOSE 1X 120MM CUT TO LENGTH | L=320 DIN73411-25X3,5 R |
| 23 | 72311167 | 2 | HOSE CLIP | |
| 24 | 72393672 | 1 | REDUCER | |
| 25 | 72404925 | 1 | CAP | |
| 26 | 72311166 | 1 | HOSE CLIP | |
| 27 | 72357308 | 1 | SUCTION LINE | |
| 28 | 72395412 | 1 | RUBBER ARCH | |
| 29 | 72315802 | 1 | SCREW | DIN 7604 AM22X1,5-ST |
| 30 | 72315101 | 1 | SEALING WASHER | DIN 7603 A22X27-CU |

FARMER 306 (168/13001-99999)
7488



| Item | Part Number | Qty | Description Comments | Technical Specification |
|------|-------------|-----|--|-------------------------|
| | | | <-- 168/20001 | |
| 1 | 72622024 | 1 | PRESSURE HOSE 190 MM CUT TO LENGTH | L=0,50M 8X3,5-FWN65911 |
| 2 | 72438345 | 4 | HOSE CLIP | |
| 4 | 72395457 | 1 | RUBBER ARCH | |
| 5 | 72311170 | 3 | HOSE CLIP | |
| 6 | 72316915 | 1 | CABLE STRAP | FWN 66650 B290X4,8-SW |
| 7 | 72450289 | 1 | PRESSURE HOSE 510 MM CUT TO LENGTH | L=550 FWN 66041-M4 |
| 8 | 72315806 | 1 | BANJO BOLT | DIN 7643-6-3-A3L |
| 9 | 72377528 | 1 | RING HOSE NIPPLE | FWN65910-A-DN4 |
| 10 | 72315088 | 2 | SEALING WASHER | DIN 7603 A10X13,5-CU |
| 11 | 72316897 | 1 | EXPANSION TANK | |
| 12 | 72310924 | 1 | COLLER LOCKING | |
| 13 | 72404925 | 1 | CAP | |
| 14 | 72311166 | 1 | HOSE CLIP | |
| 15 | 72435869 | 1 | RUBBER ARCH | |
| 16 | 72311166 | 3 | HOSE CLIP | |
| 17 | 72357764 | 1 | PIPE | |
| 20 | 72395458 | 1 | COOLANT LINE | |
| 21 | 72311162 | 1 | HOSE CLIP | |
| 22 | 72442422 | 1 | HOSE 1000 MM CUT TO LENGTH | L=1500MM |
| 23 | 72312049 | 3 | HOSE RETAINER | |
| 24 | 72397308 | 1 | RETAINER | |
| 25 | 72315642 | 2 | HEXAGONAL HEAD BOLT | DIN 933 M8 X 16-8.8A3L |
| 26 | 72313268 | 6 | NUT | DIN 934 M8-8A3L |
| 27 | 72315053 | 6 | SPLIT WASHER | FWN 65208-8-A3L |
| 28 | 72397312 | 1 | BRACKET | |
| 29 | 72315821 | 4 | SCREW | DIN7976-ST6,3X19-C-A3L |
| 30 | 72311822 | 6 | DISC | DIN9021-6,4-140HV-A3L |
| 33 | 72395461 | 1 | RETAINER | |
| 34 | 72397318 | 1 | MARKING PLATE | |
| 36 | 72315629 | 1 | HEXAGONAL HEAD BOLT | DIN 933 M6 X 12-8.8A3L |
| 37 | 72313266 | 1 | NUT | DIN 934 M6-8A3L |
| 38 | 72315052 | 1 | SPLIT WASHER | FWN 65208-6-A3L |

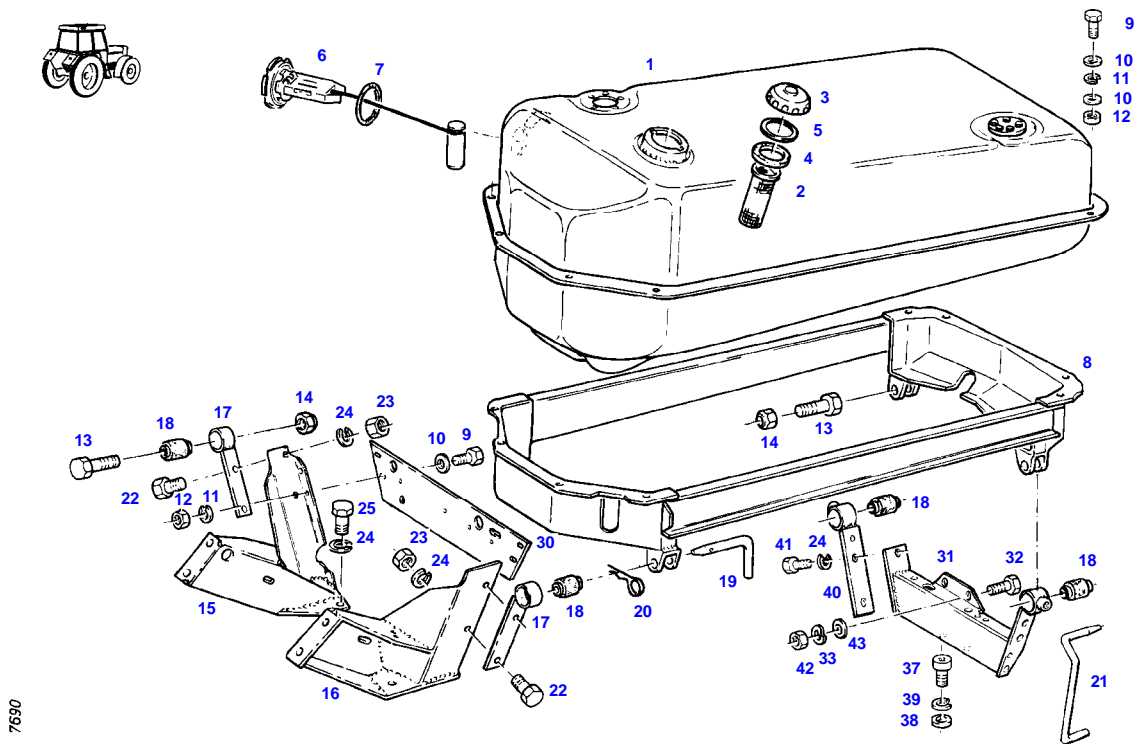
FARMER 306 (168/13001-99999)
7153



7153

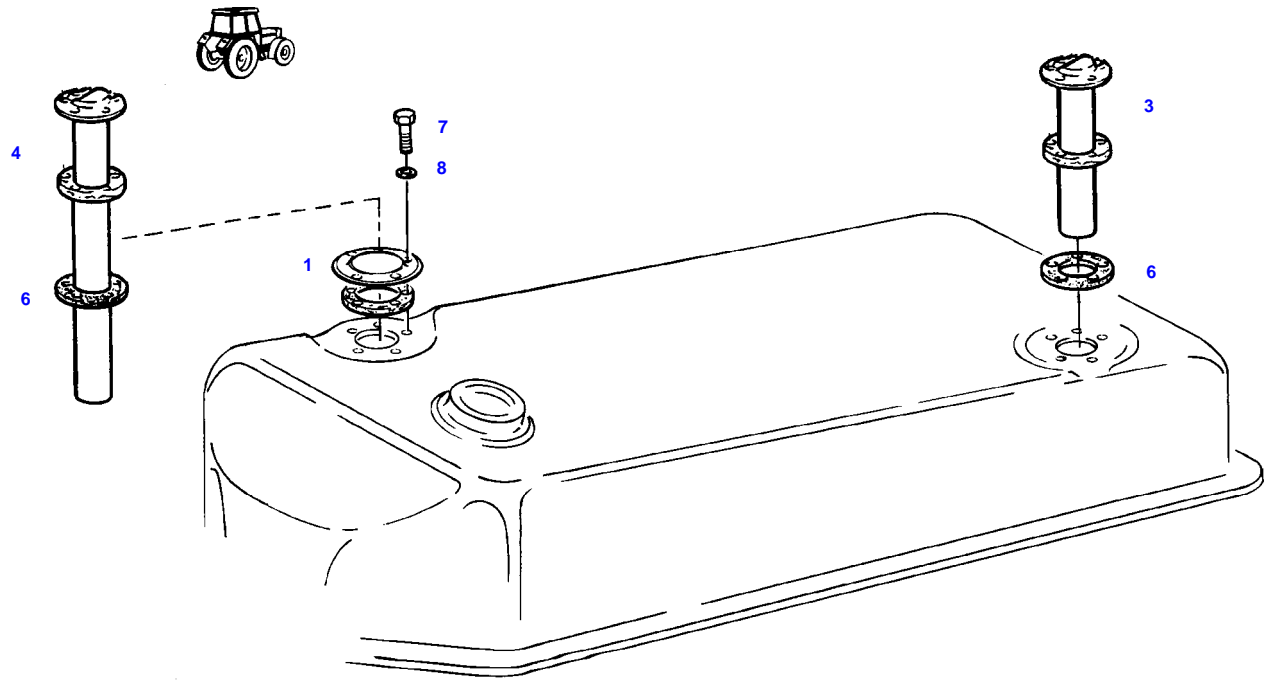
| Item | Part Number | Qty | Description Comments | Technical Specification |
|------|-------------|-----|--|-------------------------|
| | | | --> 168/20000 | |
| 1 | 72349985 | 1 | FUEL TANK <> | |
| | 72348556 | 1 | FUEL LEVEL SENSOR | |
| 2 | 72433112 | 1 | STRAINER | 60X100-MS |
| 3 | 72380143 | 1 | FUEL CAP KOEHLER | M.BELUEF |
| | 72348297 | 1 | FUEL CAP LOCKABLE BLAU ><4 | |
| 4 | 72330725 | 1 | SEAL BLAU | |
| | 72312304 | 1 | RUBBER SEAL KOEHLER | |
| 5 | 72330726 | 1 | SEAL BLAU | |
| 6 | 72613041 | 1 | FUEL LEVEL SENSOR --> 168/13114 --> 162/8455 | |
| | 72348556 | 1 | FUEL LEVEL SENSOR <-- 168/13115 <-- G148.200.060.011 | |
| 7 | 72315169 | 1 | SEALING WASHER | |
| 8 | 72357106 | 1 | TANK FRAME | |
| 9 | 72315626 | 7 | HEXAGONAL HEAD BOLT | DIN 933-M6 X 16-8.8-A3L |
| 11 | 72311822 | 12 | DISC | DIN9021-6,4-140HV-A3L |
| 12 | 72315052 | 8 | SPLIT WASHER | FWN 65208-6-A3L |
| 13 | 72313266 | 8 | NUT | DIN 934 M6-8A3L |
| 14 | 72315719 | 2 | HEXAGONAL HEAD BOLT | DIN 933 M12X60-8.8A3L |
| 15 | 72313325 | 2 | NUT | DIN 980-VM12-8-A3L |
| 16 | 72356748 | 1 | BRACKET | |
| 17 | 72356749 | 1 | BRACKET | |
| 18 | 72356758 | 2 | SUPPORT ARM | |
| 19 | 72310644 | 4 | RUBBER BUSHING | |
| 20 | 72404932 | 1 | BEARING PIN | |
| 21 | 72311183 | 1 | HAIR COTTER PIN | DIN 11024-4-A3L |
| 22 | 72393676 | 1 | BEARING PIN | |
| 23 | 72393681 | 1 | BEARING PIN | |
| 24 | 72393680 | 1 | LEAF SPRING | |
| 25 | 72355727 | 1 | CROSSMEMBER | |
| 26 | 72315642 | 8 | HEXAGONAL HEAD BOLT | DIN 933 M8 X 16-8.8A3L |
| 27 | 72315657 | 4 | HEXAGONAL HEAD BOLT | DIN 933 M8 X 30-8.8A3L |
| 28 | 72315053 | 12 | SPLIT WASHER | FWN 65208-8-A3L |
| 29 | 72313268 | 4 | NUT | DIN 934 M8-8A3L |
| 30 | 72311788 | 2 | DISC | DIN 125-8,4-ST.A3L |
| 31 | 72315675 | 2 | HEXAGONAL HEAD BOLT | DIN 933 M10X16-8.8A3L |

FARMER 306 (168/13001-99999)
7690



| Item | Part Number | Qty | Description Comments | Technical Specification |
|------|-------------|-----|--|-------------------------|
| | | | <-- 168/20001 | |
| 1 | 72349985 | 1 | FUEL TANK | |
| 2 | 72433112 | 1 | STRAINER | 60X100-MS |
| 3 | 72380143 | 1 | FUEL CAP KOEHLER | M.BELUEF |
| | 72348297 | 1 | ><4 FUEL CAP LOCKABLE BLAU | |
| | | | ><4+5 | |
| 4 | 72330725 | 1 | SEAL BLAU | |
| | 72312304 | 1 | RUBBER SEAL KOEHLER | |
| 5 | 72330726 | 1 | SEAL | |
| 6 | 72348556 | 1 | FUEL LEVEL SENSOR ><7 <-- G148.200.060.011 | |
| 7 | 72315169 | 1 | SEALING WASHER | |
| 8 | 72357106 | 1 | TANK FRAME | |
| 9 | 72315626 | 12 | HEXAGONAL HEAD BOLT | DIN 933-M6 X 16-8.8-A3L |
| 10 | 72311822 | 20 | DISC | DIN9021-6,4-140HV-A3L |
| 11 | 72315052 | 13 | SPLIT WASHER | FWN 65208-6-A3L |
| 12 | 72313266 | 13 | NUT | DIN 934 M6-8A3L |
| 13 | 72315719 | 2 | HEXAGONAL HEAD BOLT | DIN 933 M12X60-8.8A3L |
| 14 | 72313325 | 2 | NUT | DIN 980-VM12-8-A3L |
| 15 | 72356748 | 1 | BRACKET | |
| 16 | 72356749 | 1 | BRACKET | |
| 17 | 72356758 | 2 | SUPPORT ARM | |
| 18 | 72310644 | 4 | RUBBER BUSHING | |
| 19 | 72407288 | 2 | BEARING PIN | |
| 20 | 72311183 | 2 | HAIR COTTER PIN | DIN 11024-4-A3L |
| 21 | 72393681 | 1 | BEARING PIN | |
| 22 | 72315657 | 4 | HEXAGONAL HEAD BOLT | DIN 933 M8 X 30-8.8A3L |
| 23 | 72313268 | 4 | NUT | DIN 934 M8-8A3L |
| 24 | 72315053 | 12 | SPLIT WASHER | FWN 65208-8-A3L |
| 25 | 72315642 | 6 | HEXAGONAL HEAD BOLT | DIN 933 M8 X 16-8.8A3L |
| 30 | 72397321 | 1 | SHEET METAL | |
| 31 | 72357771 | 1 | CROSSMEMBER | |
| 32 | 72315689 | 2 | HEXAGONAL HEAD BOLT | DIN 933 M10X35-8.8A3L |
| 33 | 72317122 | 2 | SPRING WASHER | DIN 137 B10-MECH.VZK |
| 37 | 72374066 | 2 | SOCKET HEAD BOLT | DIN 912 M12X20-8.8 |
| 38 | 72311804 | 2 | DISC | DIN 433-13-ST.A3L |
| 39 | 72315055 | 2 | SPLIT WASHER | FWN 65208-12-A3L |
| 40 | 72357768 | 1 | SUPPORT ARM | |
| 41 | 72315653 | 2 | HEXAGONAL HEAD BOLT | DIN 933 M8 X 25-8.8A3L |
| 42 | 72313272 | 2 | NUT | DIN 934 M10-8A3L |
| 43 | 72311789 | 2 | DISC | DIN 125-10,5-ST.A3L |

FARMER 306 (168/13001-99999)
6662



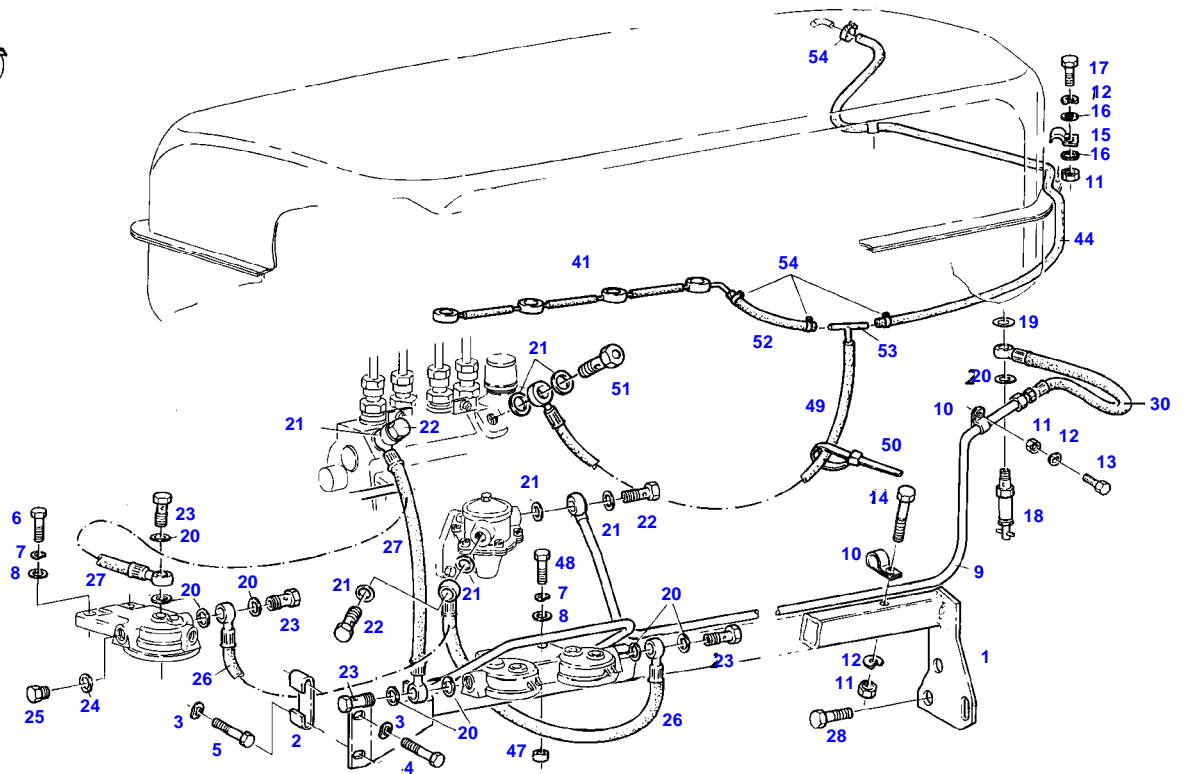
6662

| Item | Part Number | Qty | Description Comments | Technical Specification |
|------|-------------|-----|-------------------------------------|-------------------------|
| | | | --> 168/20000 | |
| 1 | 72409022 | 2 | FLANGE | |
| 3 | 72380157 | 1 | FUEL LEVEL SENSOR BOARD COMPUTER | |
| 4 | 72380156 | 1 | FUEL LEVEL SENSOR BOARD COMPUTER | |
| 6 | 72376132 | 2 | SEALING WASHER | |
| 7 | 72315619 | 10 | HEXAGONAL HEAD BOLT | DIN 933 M5X16-8.8A3L |
| 8 | 72376017 | 10 | SEALING WASHER | DIN 7603-A5X7,5-CU |

FARMER 306 (168/13001-99999)
40845

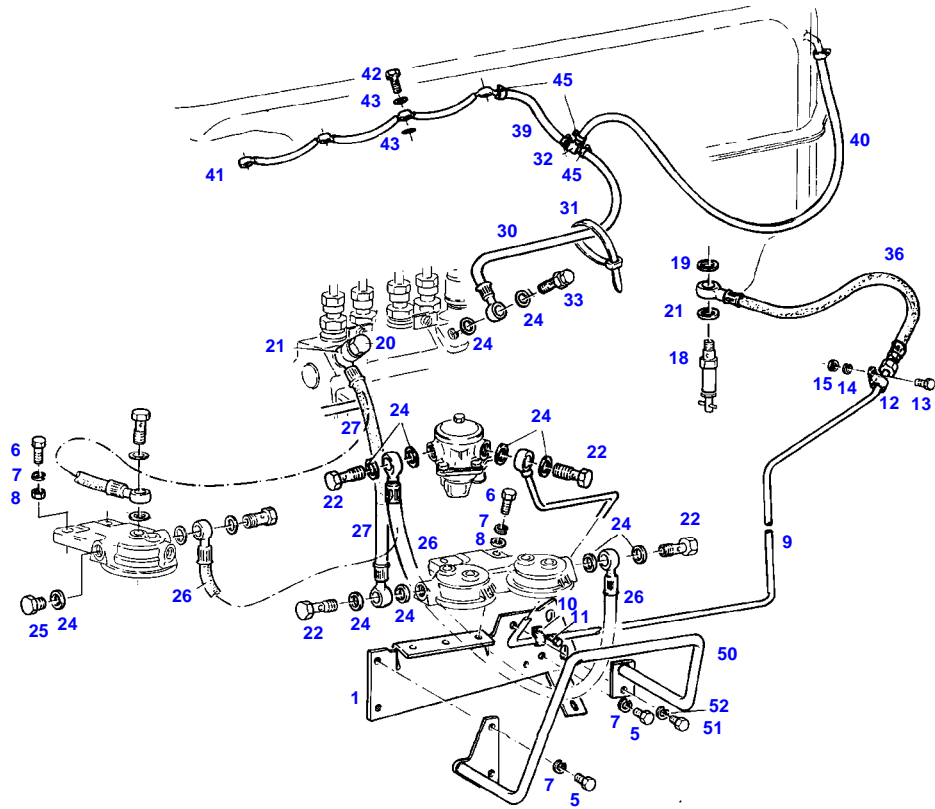


040845



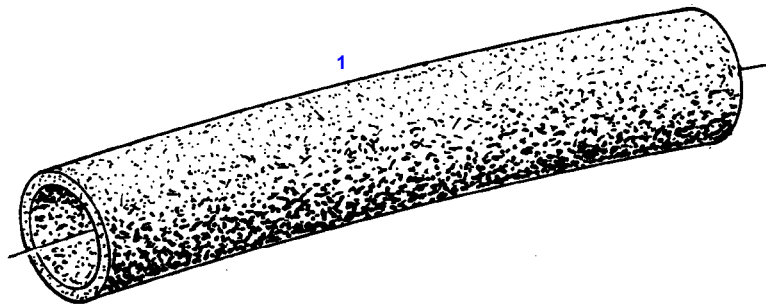
| Item | Part Number | Qty | Description Comments | Technical Specification |
|------|-------------|-----|---|-------------------------|
| | | | --> 168/20000 | |
| 1 | 72356743 | 1 | RETAINER | |
| 2 | 72399913 | 1 | HOLDER | |
| 3 | 72317122 | 2 | SPRING WASHER | DIN 137 B10-MECH.VZK |
| 4 | 72315689 | 1 | HEXAGONAL HEAD BOLT | DIN 933 M10X35-8.8A3L |
| 5 | 72315691 | 1 | HEXAGONAL HEAD BOLT | DIN 933 M10X40-8.8A3L |
| 6 | 72315657 | 2 | HEXAGONAL HEAD BOLT | DIN 933 M8 X 30-8.8A3L |
| 7 | 72315053 | 2 | SPLIT WASHER | FWN 65208-8-A3L |
| 8 | 72311824 | 2 | DISC | DIN9021-8,4-140HV-A3L |
| 9 | 72356707 | 1 | TUBING | |
| 10 | 72311241 | 2 | PIPE CLAMP | |
| 11 | 72313266 | 3 | NUT | DIN 934 M6-8A3L |
| 12 | 72315052 | 3 | SPLIT WASHER | FWN 65208-6-A3L |
| 13 | 72315626 | 1 | HEXAGONAL HEAD BOLT | DIN 933-M6 X 16-8.8-A3L |
| | 72311787 | 1 | DISC NOT ILLUSTRATED | DIN 125-6,4-ST.A3L |
| 14 | 72315637 | 1 | HEXAGONAL HEAD BOLT | DIN 933 M6X45-8.8A3L |
| 15 | 72398941 | 2 | FASTENING COLLAR | |
| 16 | 72311822 | 4 | DISC | DIN9021-6,4-140HV-A3L |
| 17 | 72315631 | 2 | HEXAGONAL HEAD BOLT | DIN 933 M6 X 20-8.8A3L |
| 18 | 72380159 | 1 | FUEL SHUT-OFF VALVE | |
| 19 | 72315093 | 1 | SEALING WASHER | DIN 7603 A12X18-CU |
| 20 | 72315095 | 7 | SEALING WASHER | DIN 7603 A14X20-CU |
| 21 | 72315095 | 6 | SEALING WASHER | DIN 7603 A14X20-CU |
| 22 | 72315808 | 2 | BANJO BOLT | DIN 7643-10-3-A3L |
| 23 | 72315808 | 3 | BANJO BOLT | DIN 7643-10-3-A3L |
| 24 | 72315095 | 2 | SEALING WASHER | DIN 7603 A14X20-CU |
| 25 | 72315799 | 2 | PLUG | DIN 7604 AM14X1,5-A3L |
| 26 | 72356760 | 1 | FUEL LINE | |
| 27 | 72355537 | 1 | FUEL LINE | |
| 28 | 72374490 | 2 | HEXAGONAL HEAD BOLT | DIN 933 M14X20-8.8 |
| | 72374493 | 2 | HEXAGONAL HEAD BOLT | DIN 933 M14X30-8.8 |
| 30 | 72357312 | 1 | HOSE LINE | |
| 41 | 72339360 | 1 | LEAKAGE OIL LINE | |
| 44 | 72435830 | 1 | PRESSURE HOSE 1100 MM CUT TO LENGTH | L=2100 |
| 47 | 72311848 | 2 | DISC | |
| 48 | 72315660 | 2 | HEXAGONAL HEAD BOLT | DIN 933 M8X35-8.8A3L |
| 49 | 72356761 | 1 | FUEL LINE | |
| 50 | 72316916 | 2 | CABLE STRAP | FWN 66650 B175X4-SW |
| 51 | 72380268 | 1 | BLEED AND DRAIN VALVE | |
| 52 | 72450301 | 1 | PRESSURE HOSE 260 MM CUT TO LENGTH | L=1000 |
| 53 | 72380023 | 1 | TEE FITTING | |
| 54 | 72438345 | 5 | HOSE CLIP | |

FARMER 306 (168/13001-99999)
7689



7689

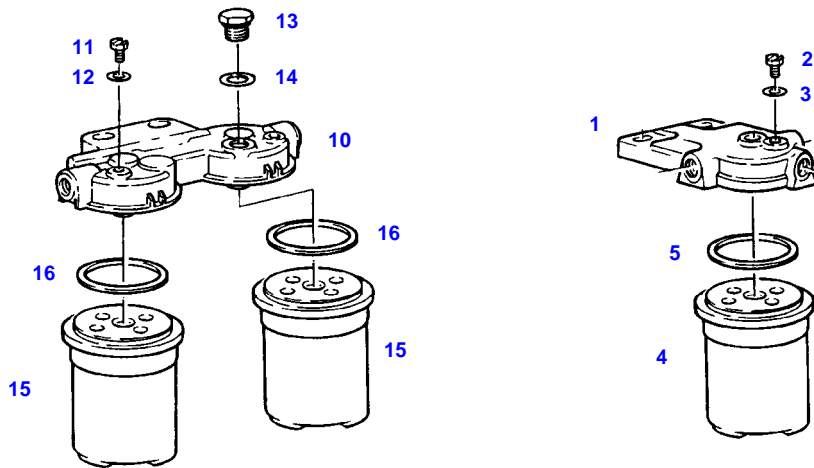
| Item | Part Number | Qty | Description Comments | Technical Specification |
|------|-------------|-----|--|-------------------------|
| | | | <-- 168/20001 | |
| 1 | 72357112 | 1 | FILTER RETAINER | |
| | | | <> | |
| | 72310699 | 1 | BUSH | |
| | 72374969 | 1 | SCREW | DIN7976-ST4,8X19-C-A3L |
| 5 | 72315642 | 3 | HEXAGONAL HEAD BOLT | DIN 933 M8 X 16-8.8A3L |
| 6 | 72315657 | 2 | HEXAGONAL HEAD BOLT | DIN 933 M8 X 30-8.8A3L |
| 7 | 72315053 | 5 | SPLIT WASHER | FWN 65208-8-A3L |
| 8 | 72311824 | 2 | DISC | DIN9021-8,4-140HV-A3L |
| 9 | 72356707 | 1 | TUBING | |
| 10 | 72311241 | 1 | PIPE CLAMP | |
| 11 | 72315819 | 1 | SCREW | DIN7976-ST4,8X13-C-A3L |
| | 72311785 | 1 | DISC | DIN 125-5,3-ST.A3L |
| 12 | 72311241 | 1 | PIPE CLAMP | |
| 13 | 72315626 | 1 | HEXAGONAL HEAD BOLT | DIN 933-M6 X 16-8.8-A3L |
| 14 | 72315052 | 1 | SPLIT WASHER | FWN 65208-6-A3L |
| 15 | 72313266 | 1 | NUT | DIN 934 M6-8A3L |
| 18 | 72380159 | 1 | FUEL SHUT-OFF VALVE | |
| 19 | 72315093 | 1 | SEALING WASHER | DIN 7603 A12X18-CU |
| 20 | 72310187 | 1 | DOUBLE BOLT | |
| 21 | 72315095 | 2 | SEALING WASHER | DIN 7603 A14X20-CU |
| 22 | 72315808 | 4 | BANJO BOLT | DIN 7643-10-3-A3L |
| 24 | 72315095 | 14 | SEALING WASHER | DIN 7603 A14X20-CU |
| 25 | 72315799 | 2 | PLUG | DIN 7604 AM14X1,5-A3L |
| 26 | 72356760 | 1 | FUEL LINE | |
| 27 | 72356760 | 1 | FUEL LINE | |
| 30 | 72356761 | 1 | FUEL LINE | |
| 31 | 72316916 | 2 | CABLE STRAP | FWN 66650 B175X4-SW |
| 32 | 72380023 | 1 | TEE FITTING | |
| 33 | 72380268 | 1 | BLEED AND DRAIN VALVE | |
| 36 | 72356762 | 1 | FUEL LINE | |
| 39 | 72450301 | 1 | PRESSURE HOSE 260 MM CUT TO LENGTH | L=1000 |
| 40 | 72450301 | 1 | PRESSURE HOSE 750 MM CUT TO LENGTH | L=1000 |
| 41 | 72332525 | 1 | LEAKAGE OIL LINE | |
| 42 | 72342985 | 4 | SCREW | |
| 43 | 72315084 | 8 | SEALING WASHER | DIN 7603 A6X10-CU |
| 45 | 72438345 | 4 | HOSE CLIP | |
| | 72438345 | 1 | HOSE CLIP | |
| 50 | 72357121 | 1 | PROTECTION BAR | |
| 51 | 72315642 | 1 | HEXAGONAL HEAD BOLT | DIN 933 M8 X 16-8.8A3L |
| 52 | 72315053 | 1 | SPLIT WASHER | FWN 65208-8-A3L |



8555

| Item | Part Number | Qty | Description Comments | Technical Specification |
|------|-------------|-----|---|-------------------------|
| | | | RAPE SEED OIL METHYLATED ESTER | |
| 1 | 72436293 | 1 | HEAT SHRINK TUBING 1X 2500 MM CUT TO LENGTH | L=2600 |
| | 72436294 | X | HEAT SHRINK TUBING 1X 3000 MM CUT TO LENGTH | L=3100 |
| | 72436295 | 1 | HEAT SHRINK TUBING 1X 2000 MM CUT TO LENGTH | L=2100 |

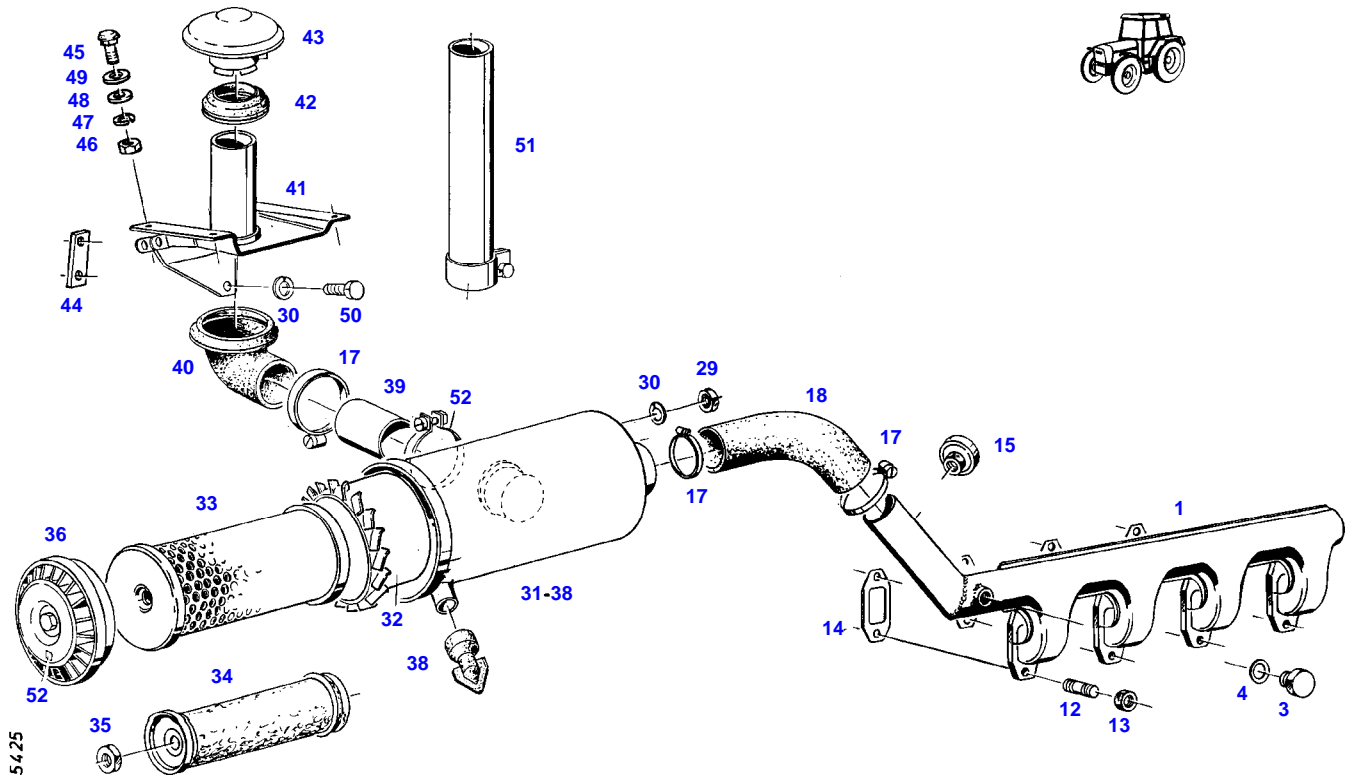
FARMER 306 (168/13001-99999)
4952



4952

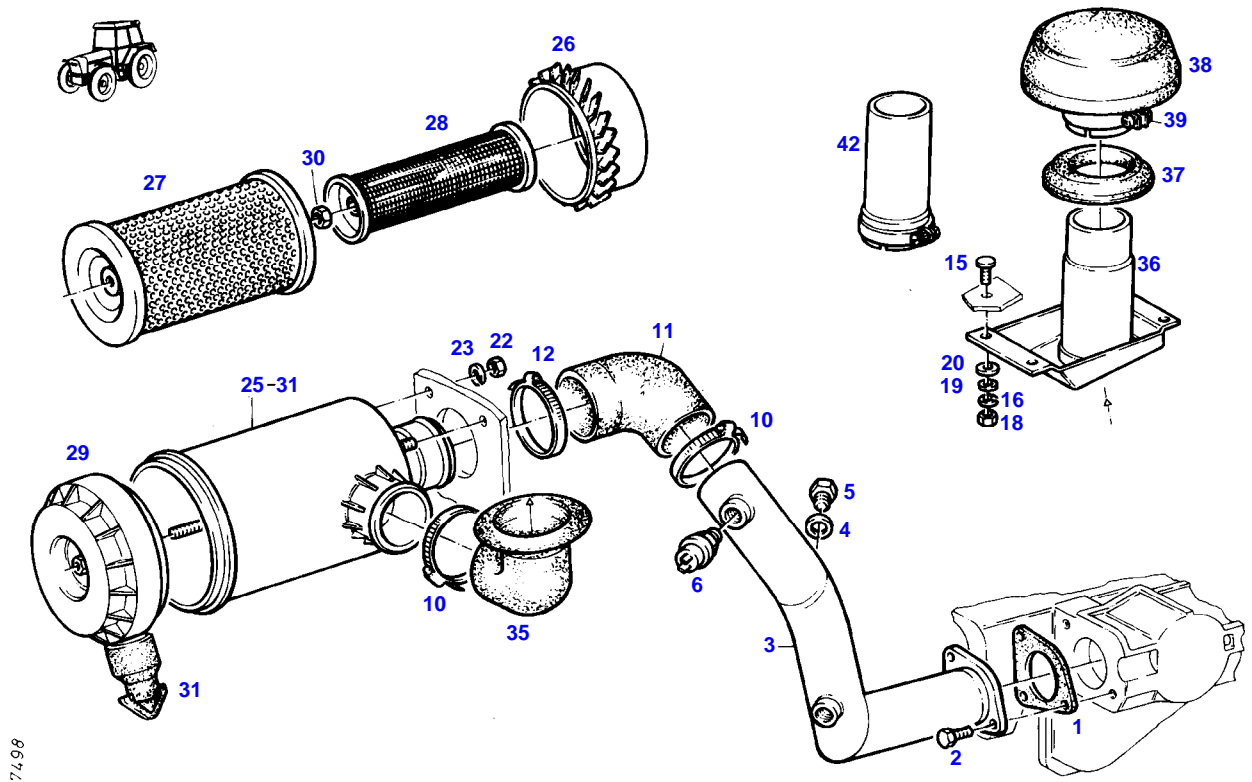
| Item | Part Number | Qty | Description Comments | Technical Specification |
|------|-------------|-----|--|-------------------------|
| 1 | 72615599 | 1 | FILTER LID ><2,3 | |
| 2 | 72323290 | 1 | BLEED SCREW | |
| 3 | 72315084 | 1 | SEALING WASHER | DIN 7603 A6X10-CU |
| 4 | 72416928 | 1 | FILTER BOX ><5 | |
| 5 | 72314995 | 1 | RUBBER RING PARALLEL-FILTER | |
| 10 | 72380173 | 1 | PARALLEL FILTER BOSCH ><11-16 <-- X810.190.166.000 1X <> | |
| | 72416928 | 2 | FILTER BOX | |
| | 72451307 | 1 | COVER KNECHT ><11,12 <> | PARALLELFILT. |
| | 72416928 | 2 | FILTER BOX | |
| 11 | 72323290 | 2 | BLEED SCREW BOSCH | |
| | 72314699 | 2 | BLEED SCREW KNECHT | |
| 12 | 72315084 | 2 | SEALING WASHER BOSCH | DIN 7603 A6X10-CU |
| | 72315086 | 2 | SEALING WASHER KNECHT | DIN 7603 A8X11,5-CU |
| 13 | 72326250 | 1 | SCREW BOSCH | |
| 14 | 72315095 | 1 | SEALING WASHER BOSCH | DIN 7603 A14X20-CU |
| 15 | 72416928 | 2 | FILTER BOX ><16 | |
| 16 | 72314995 | 2 | RUBBER RING | |

FARMER 306 (168/13001-99999)
5425



| Item | Part Number | Qty | Description Comments | Technical Specification |
|------|-------------|-----|---------------------------------------|-------------------------|
| | | | PICLON --> 168/20000 | |
| 1 | 72355752 | 1 | INTAKE MANIFOLD | |
| | 72355407 | 1 | INTAKE MANIFOLD AIR BRAKING SYSTEM | |
| 3 | 72373975 | 1 | SCREW | DIN 910 M20X1,5-ST |
| 4 | 72376031 | 1 | SEALING WASHER | DIN 7603 A20X24-CU |
| 12 | 72373922 | 8 | STUD BOLT | DIN 835-M10X25-8.8 |
| 13 | 72373015 | 8 | NUT | DIN70615-M10-8-A3B |
| 14 | 72332145 | 4 | MOLDED SEAL | |
| 15 | 72316876 | 1 | MAINTENANCE SWITCH | |
| 17 | 72373528 | 3 | HOSE CLIP | |
| 18 | 72393689 | 1 | RUBBER ARCH | |
| 29 | 72313268 | 4 | NUT | DIN 934 M8-8A3L |
| 30 | 72315053 | 6 | SPLIT WASHER | FWN 65208-8-A3L |
| 31 | 72348100 | 1 | AIR FILTER ><32-38 | |
| 32 | 72329111 | 1 | DIFFUSER | |
| 33 | 72329734 | 1 | MICRO-TOP CARTRIDGE | |
| 34 | 72329735 | 1 | SAFETY CARTRIDGE | |
| 35 | 72372827 | 1 | NUT | DIN 934 M16X1,5-10A3L |
| 36 | 72329736 | 1 | FLOOR | |
| 38 | 72326122 | 1 | DUST DISCHARGE VALVE | |
| 39 | 72393687 | 1 | CONNECTING PIPE | |
| 40 | 72393688 | 1 | BELLOWS | |
| 41 | 72355730 | 1 | AIR INTAKE | |
| 42 | 72393690 | 1 | SEALING RING | |
| 43 | 72330730 | 1 | RAIN CAP | |
| 44 | 72393790 | 1 | THREADED PLATE | |
| 45 | 72373806 | 4 | TRUSS HEAD SCREW | DIN 603 M6X16-A3L |
| 46 | 72313266 | 5 | NUT | DIN 934 M6-8A3L |
| 47 | 72315052 | 4 | SPLIT WASHER | FWN 65208-6-A3L |
| 48 | 72311787 | 4 | DISC | DIN 125-6,4-ST.A3L |
| 49 | 72311788 | 4 | DISC | DIN 125-8,4-ST.A3L |
| 50 | 72315645 | 2 | HEXAGONAL HEAD BOLT | DIN 933 M8 X 12-8.8A3L |
| 51 | 72384104 | 1 | CONNECTING PIPE | |
| 52 | 72389314 | 1 | ABSORPTION INDICATOR | |

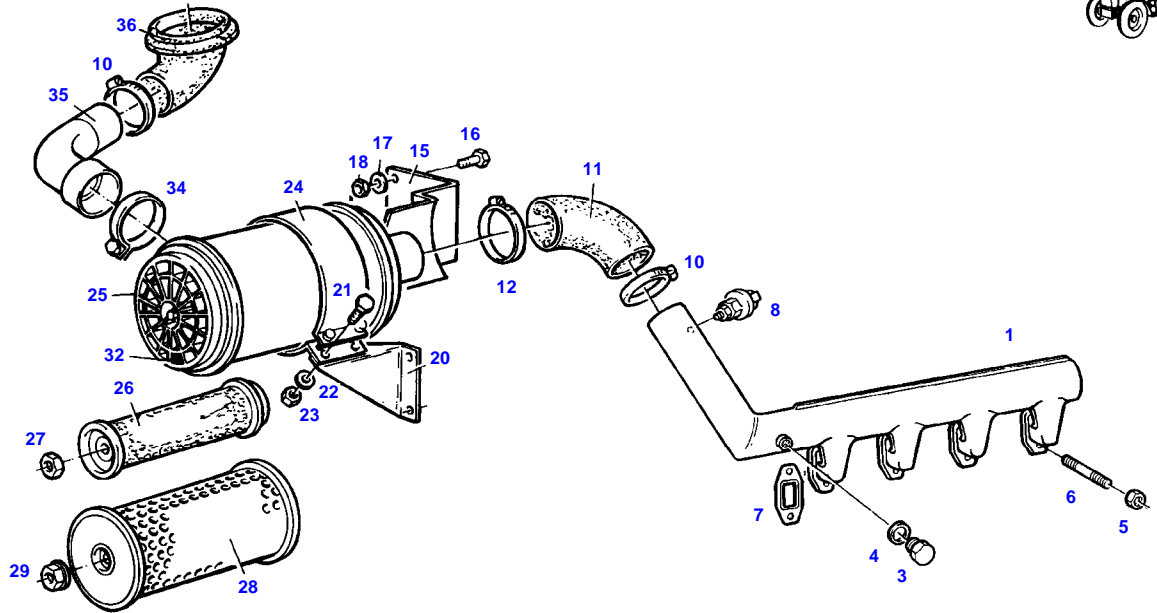
FARMER 306 (168/13001-99999)
7498



7498

| Item | Part Number | Qty | Description Comments | Technical Specification |
|------|-------------|-----|--------------------------------|-------------------------|
| | | | PICLON <-- 168/20001 | |
| 1 | 72397328 | 1 | SEAL | |
| 2 | 72315651 | 3 | HEXAGONAL HEAD BOLT | DIN 933 M8X22-8.8A3L |
| 3 | 72355409 | 1 | INTAKE MANIFOLD | |
| 4 | 72315101 | 1 | SEALING WASHER | DIN 7603 A22X27-CU |
| 5 | 72315802 | 1 | SCREW | DIN 7604 AM22X1,5-ST |
| 6 | 72316876 | 1 | MAINTENANCE SWITCH | |
| 10 | 72311171 | 2 | HOSE CLIP | |
| 11 | 72397327 | 1 | RUBBER ARCH | |
| 12 | 72311172 | 1 | HOSE CLIP | |
| 15 | 72373809 | 4 | TRUSS HEAD SCREW | DIN 603 M6X20-A3L |
| 16 | 72315052 | 4 | SPLIT WASHER | FWN 65208-6-A3L |
| 18 | 72313266 | 4 | NUT | DIN 934 M6-8A3L |
| 19 | 72311787 | 4 | DISC | DIN 125-6,4-ST.A3L |
| 20 | 72311788 | 4 | DISC | DIN 125-8,4-ST.A3L |
| 22 | 72313268 | 4 | NUT | DIN 934 M8-8A3L |
| 23 | 72315053 | 4 | SPLIT WASHER | FWN 65208-8-A3L |
| 25 | 72348192 | 1 | AIR FILTER ><26-31 | |
| 26 | 72329111 | 1 | DIFFUSER | |
| 27 | 72329734 | 1 | MICRO-TOP CARTRIDGE | |
| 28 | 72329735 | 1 | SAFETY CARTRIDGE | |
| 29 | 72329736 | 1 | FLOOR | |
| 30 | 72372827 | 1 | NUT | DIN 934 M16X1,5-10A3L |
| 31 | 72326122 | 1 | DUST DISCHARGE VALVE | |
| 35 | 72397326 | 1 | BELLOWS | |
| 36 | 72357774 | 1 | AIR INTAKE | |
| 37 | 72397329 | 1 | SEALING RING | |
| 38 | 72348784 | 1 | RAIN CAP ><39 | |
| 39 | 72333025 | 1 | PIPE CLAMP | |
| 42 | 72348666 | 1 | CONNECTING PIPE | |

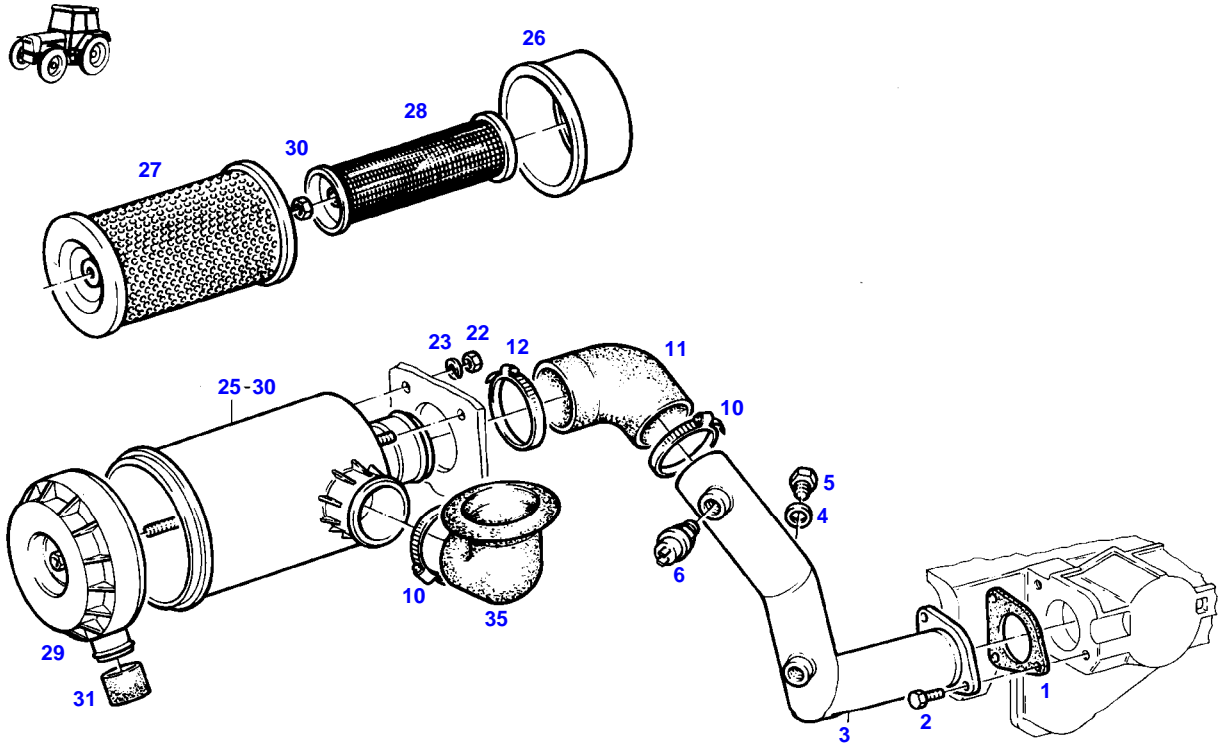
FARMER 306 (168/13001-99999)
5972



5972

| Item | Part Number | Qty | Description Comments | Technical Specification |
|------|-------------|-----|---------------------------------------|-------------------------|
| | | | PICO | |
| | | | --> 168/20000 | |
| 1 | 72355752 | 1 | INTAKE MANIFOLD | |
| | 72355407 | 1 | INTAKE MANIFOLD AIR BRAKING SYSTEM | |
| 3 | 72373975 | 1 | SCREW | DIN 910 M20X1,5-ST |
| 4 | 72376031 | 1 | SEALING WASHER | DIN 7603 A20X24-CU |
| 5 | 72373015 | 8 | NUT | DIN70615-M10-8-A3B |
| 6 | 72373922 | 8 | STUD BOLT | DIN 835-M10X25-8.8 |
| 7 | 72332145 | 4 | MOLDED SEAL | |
| 8 | 72316876 | 1 | MAINTENANCE SWITCH | |
| 10 | 72373528 | 2 | HOSE CLIP | |
| 11 | 72393709 | 1 | RUBBER ARCH | |
| 12 | 72311171 | 1 | HOSE CLIP | |
| 15 | 72356745 | 1 | RETAINER | |
| 16 | 72315645 | 3 | HEXAGONAL HEAD BOLT | DIN 933 M8 X 12-8.8A3L |
| 17 | 72315053 | 3 | SPLIT WASHER | FWN 65208-8-A3L |
| 18 | 72313268 | 3 | NUT | DIN 934 M8-8A3L |
| 20 | 72395446 | 1 | SUPPORT | |
| 21 | 72315629 | 2 | HEXAGONAL HEAD BOLT | DIN 933 M6 X 12-8.8A3L |
| 22 | 72315052 | 2 | SPLIT WASHER | FWN 65208-6-A3L |
| 23 | 72313266 | 2 | NUT | DIN 934 M6-8A3L |
| 24 | 72348547 | 1 | PIPE CLAMP | |
| 25 | 72348545 | 1 | AIR FILTER ><26-29 | |
| 26 | 72332126 | 1 | SAFETY CARTRIDGE | |
| 27 | 72339030 | 1 | COLLAR NUT | |
| 28 | 72332441 | 1 | MICRO-TOP CARTRIDGE | |
| 29 | 72372827 | 1 | NUT | DIN 934 M16X1,5-10A3L |
| 32 | 72389314 | 1 | ABSORPTION INDICATOR | |
| 34 | 72373517 | 1 | CLAMPING CLIP | |
| 35 | 72356718 | 1 | ELBOW FITTING | |
| 36 | 72393688 | 1 | BELLOWS | |

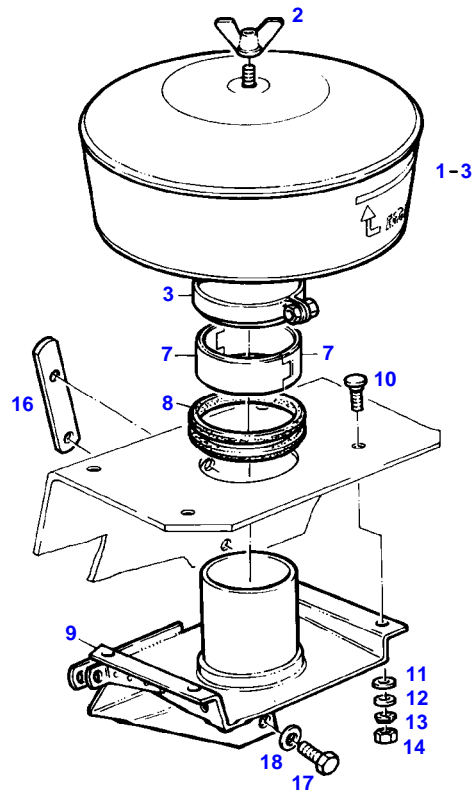
FARMER 306 (168/13001-99999)
7499



6674

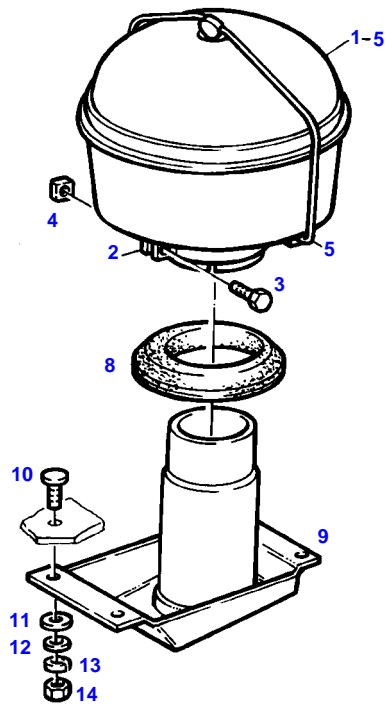
| Item | Part Number | Qty | Description Comments | Technical Specification |
|------|-------------|-----|--|-------------------------|
| | | | PICO <-- 168/20001 | |
| 1 | 72397328 | 1 | SEAL | |
| 2 | 72315651 | 3 | HEXAGONAL HEAD BOLT | DIN 933 M8X22-8.8A3L |
| 3 | 72355409 | 1 | INTAKE MANIFOLD | |
| 4 | 72315101 | 1 | SEALING WASHER | DIN 7603 A22X27-CU |
| 5 | 72315802 | 1 | SCREW | DIN 7604 AM22X1,5-ST |
| 6 | 72316876 | 1 | MAINTENANCE SWITCH | |
| 10 | 72311171 | 2 | HOSE CLIP | |
| 11 | 72397327 | 1 | RUBBER ARCH | |
| 12 | 72311172 | 1 | HOSE CLIP | |
| 22 | 72313268 | 4 | NUT | DIN 934 M8-8A3L |
| 23 | 72315053 | 4 | SPLIT WASHER | FWN 65208-8-A3L |
| 25 | 72348193 | 1 | AIR FILTER ><26-30 | |
| 26 | 72329412 | 1 | GUIDE RING | |
| 27 | 72329734 | 1 | MICRO-TOP CARTRIDGE | |
| 28 | 72329735 | 1 | SAFETY CARTRIDGE | |
| 29 | 72329411 | 1 | FLOOR | |
| 30 | 72372827 | 1 | NUT | DIN 934 M16X1,5-10A3L |
| 31 | 72392801 | 1 | CAP | |
| 35 | 72397326 | 1 | BELLOWS | |

FARMER 306 (168/13001-99999)
5994



7594

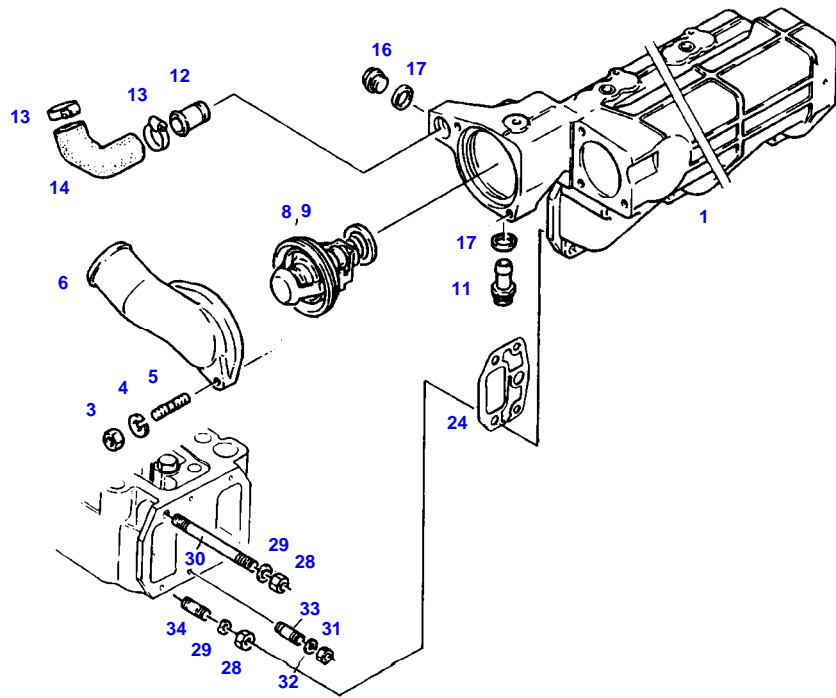
| Item | Part Number | Qty | Description Comments | Technical Specification |
|------|-------------|-----|-------------------------|-------------------------|
| | | | PICO --> 168/20000 | |
| 1 | 72348552 | 1 | PRE-CLEANER >>1-3 | |
| | 72311582 | 1 | DUST CUP | |
| 2 | 72313238 | 1 | WING NUT | |
| 3 | 72332464 | 1 | HOSE CLIP | |
| 7 | 72395448 | 2 | HALF-BEARING | |
| 8 | 72393690 | 1 | SEALING RING | |
| 9 | 72356750 | 1 | AIR INTAKE | |
| 10 | 72373806 | 4 | TRUSS HEAD SCREW | DIN 603 M6X16-A3L |
| 11 | 72311788 | 4 | DISC | DIN 125-8,4-ST.A3L |
| 12 | 72311787 | 4 | DISC | DIN 125-6,4-ST.A3L |
| 13 | 72315052 | 4 | SPLIT WASHER | FWN 65208-6-A3L |
| 14 | 72313266 | 4 | NUT | DIN 934 M6-8A3L |
| 16 | 72393790 | 1 | THREADED PLATE | |
| 17 | 72315645 | 2 | HEXAGONAL HEAD BOLT | DIN 933 M8 X 12-8.8A3L |
| 18 | 72315053 | 2 | SPLIT WASHER | FWN 65208-8-A3L |



7497

| Item | Part Number | Qty | Description Comments | Technical Specification |
|------|-------------|-----|--|-------------------------|
| | | | PICO <-- 168/20001 | |
| 1 | 72348194 | 1 | CYCLONE AIR CLEANER ><1-5 | |
| | 72329416 | 1 | DUST CUP | |
| 2 | 72329414 | 1 | PIPE CLAMP | |
| 3 | 72329413 | 1 | HEXAGONAL HEAD BOLT | |
| 4 | 72372783 | 1 | SQUARE NUT | DIN 557 M6-5 A3L |
| 5 | 72329415 | 1 | HOLDER | |
| 8 | 72397329 | 1 | SEALING RING | |
| 9 | 72357774 | 1 | AIR INTAKE | |
| 10 | 72373809 | 4 | TRUSS HEAD SCREW | DIN 603 M6X20-A3L |
| 11 | 72311788 | 4 | DISC | DIN 125-8,4-ST.A3L |
| 12 | 72311787 | 4 | DISC | DIN 125-6,4-ST.A3L |
| 13 | 72315052 | 4 | SPLIT WASHER | FWN 65208-6-A3L |
| 14 | 72313266 | 4 | NUT | DIN 934 M6-8A3L |

FARMER 306 (168/13001-99999)
7742



7742

| Item | Part Number | Qty | Description Comments | Technical Specification |
|------|-------------|-----|-----------------------------------|-------------------------|
| | | | <-- 168/20001 | |
| 1 | 72329116 | 1 | INTAKE MANIFOLD | |
| 3 | 72372805 | 2 | NUT | DIN 934 M8-10 C2A |
| 4 | 72315053 | 2 | SPLIT WASHER | FWN 65208-8-A3L |
| 5 | 72373904 | 2 | STUD BOLT | DIN 835-M8X30-8.8 |
| 6 | 72397293 | 1 | COVER | |
| 8 | 72348782 | 1 | THERMOSTAT | |
| | | | ><9 | |
| | 72333024 | 1 | THERMOSTAT 85 C SCANDINAVIA | |
| 9 | 72397296 | 1 | BRUSH SEALING | |
| 11 | 72396595 | 1 | HOSE BARB | |
| 12 | 72411402 | 1 | HOSE BARB | |
| | | | <> | |
| | 72315101 | 1 | SEALING WASHER | DIN 7603 A22X27-CU |
| 13 | 72311168 | 2 | HOSE CLIP | |
| 14 | 72395453 | 1 | RUBBER ARCH | |
| 16 | 72315802 | 1 | SCREW | DIN 7604 AM22X1,5-ST |
| 17 | 72315101 | 2 | SEALING WASHER | DIN 7603 A22X27-CU |
| 24 | 72397295 | 3 | MOLDED SEAL | |
| 28 | 72373015 | 6 | NUT | DIN70615-M10-8-A3B |
| 29 | 72315054 | 6 | SPLIT WASHER | FWN 65208-10-A3L |
| 30 | 72374658 | 3 | STUD BOLT | DIN 939-M10X100-8.8 |
| 31 | 72313269 | 3 | NUT | DIN 934 M8-8C2A |
| 32 | 72315053 | 3 | SPLIT WASHER | FWN 65208-8-A3L |
| 33 | 72397298 | 3 | STUD BOLT | |
| 34 | 72374646 | 3 | STUD BOLT | DIN 939 M10X30-8.8 |



Suggest:

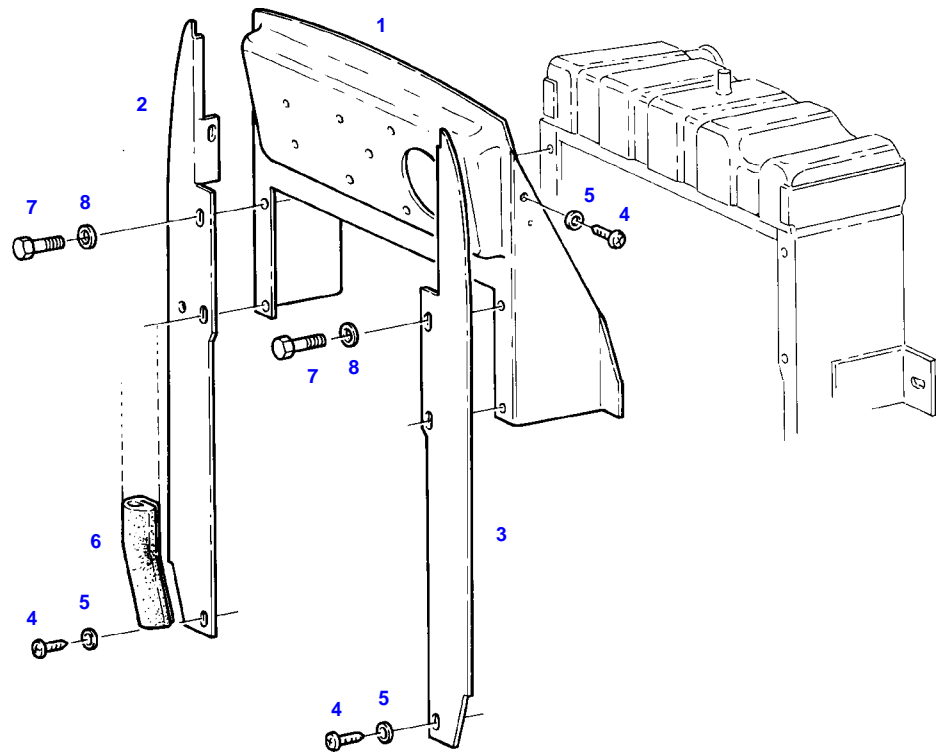
For more complete manuals. Please go to the home page.

<https://www.ebooklibonline.com>

If the above button click is invalid. Please download this document first, and then click the above link to download the complete manual.

Thank you so much for reading

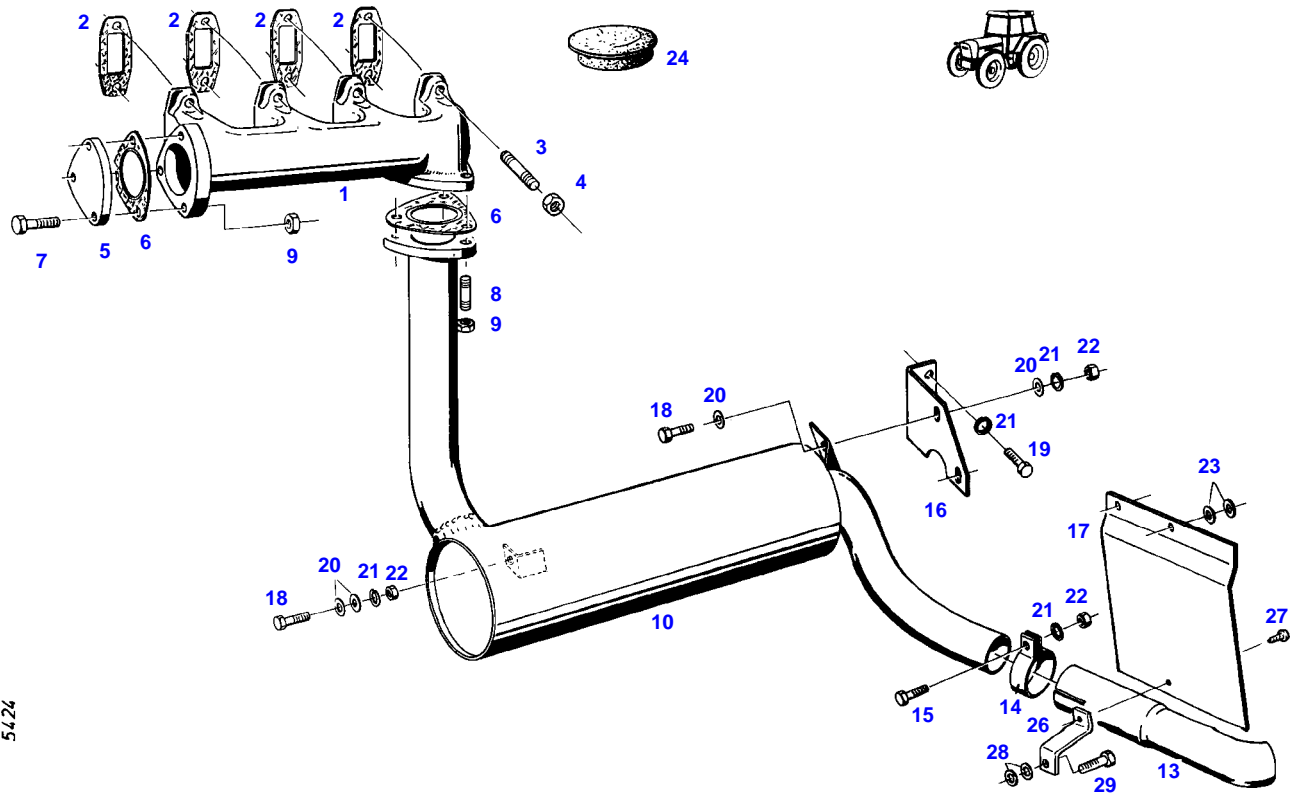
FARMER 306 (168/13001-99999)
6338



6338

| Item | Part Number | Qty | Description Comments | Technical Specification |
|------|-------------|-----|-------------------------------|---------------------------|
| | | | --> 168/20000 | |
| 1 | 72355533 | 1 | FILTER BRACKET | |
| 2 | 72393001 | 1 | SPLASH PANEL | |
| | 72393002 | 1 | SPLASH PANEL AIR CONDITION | |
| 3 | 72392834 | 1 | SPLASH PANEL | |
| 4 | 72315785 | 3 | SCREW | DIN 7981 ST4,2X9,5-C-H-A3 |
| 5 | 72311817 | 3 | DISC | DIN9021-4,3-140HV-A3L |
| 6 | 72393692 | 1 | SEALING PROFILE | |
| 7 | 72315645 | 4 | HEXAGONAL HEAD BOLT | DIN 933 M8 X 12-8.8A3L |
| 8 | 72317121 | 4 | SPRING WASHER | DIN 137 B8-MECH.VZK |

FARMER 306 (168/13001-99999)
5424



5424

<https://www.ebooklibonline.com>

Hello dear friend!

Thank you very much for reading.

Enter the link into your browser.

The full manual is available for immediate download.

<https://www.ebooklibonline.com>