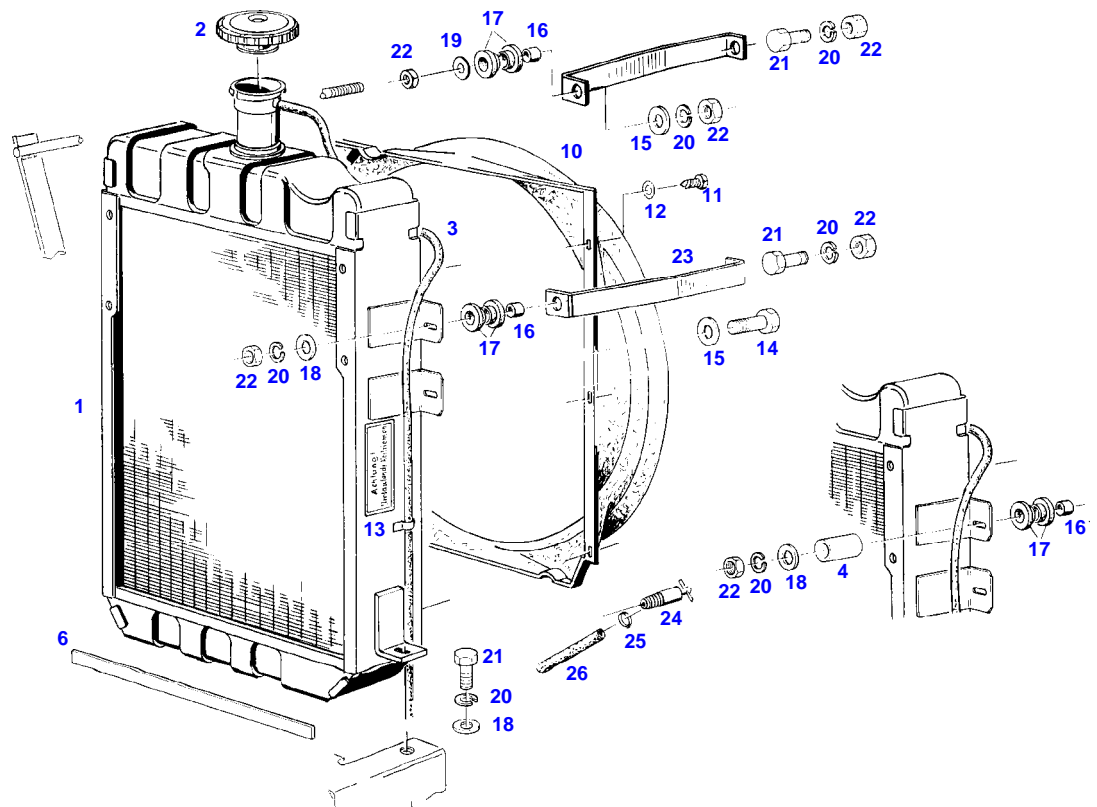


**TABLE OF CONTENT**

<b>Page Number</b>	<b>Page Title</b>	<b>Page Reference</b>
01-000-TOC	ENGINE, FUEL AND EXHAUST SYSTEM	01-000-TOC
02-000-TOC	AXLES	02-000-TOC
03-000-TOC	STEERING SYSTEM	03-000-TOC
04-000-TOC	DRIVE TRAIN SYSTEM	04-000-TOC
05-000-TOC	COMPRESSED AIR SYSTEM	05-000-TOC
06-000-TOC	HYDRAULIC SYSTEM	06-000-TOC
07-000-TOC	ELECTRICAL SYSTEM	07-000-TOC
08-000-TOC	CAB	08-000-TOC
09-000-TOC	AIR CONDITIONING AND HEATING SYSTEM	09-000-TOC
10-000-TOC	CHASSIS	10-000-TOC
11-000-TOC	WHEELS	11-000-TOC
12-000-TOC	IMPLEMENT LIFT SYSTEM FRONT	12-000-TOC
13-000-TOC	IMPLEMENT LIFT SYSTEM REAR	13-000-TOC
14-000-TOC	FRONT/REAR LOADERS	14-000-TOC
15-000-TOC	ATTACHMENTS	15-000-TOC
16-000-TOC	ACCESSORIES	16-000-TOC

FARMER 306 (168/11501-13000)  
4259



4259

Item	Part Number	Qty	Description Comments	Technical Specification
			<b>RANGE OF TEMPERATURE 2 WITH AIR CONDITION</b>	
1	72348191	1	RADIATOR ><1-3	
2	72478248	1	COLLER LOCKING	
3	72436028	1	HOSE	L=1500FWN65912-10X2-PVC-W-G
4	72400314	2	BUSH	
5	72315669	1	HEXAGONAL HEAD BOLT	DIN 933 M8X55-8.8A3L
6			NO SPARE PART	
10	72393668	1	FAN COVER	
11	72315818	4	SCREW	DIN7976-ST4,2X25-C-A3L
	72315787	2	SCREW	DIN 7981 B4,2X16-A3L
12	72311817	6	DISC	DIN9021-4,3-140HV-A3L
13	72379109	2	MARKING PLATE	FWN66556-35X68-SCHUTZVORR.N.OE
14	72315669	1	HEXAGONAL HEAD BOLT	DIN 933 M8X55-8.8A3L
15	72311888	2	DISC	
16	72310718	2	BUSH	
17	72312479	4	UNIVERSAL SPOUT	
18	72311788	3	DISC	DIN 125-8,4-ST.A3L
19	72311788	1	DISC	DIN 125-8,4-ST.A3L
20	72315053	6	SPLIT WASHER	FWN 65208-8-A3L
21	72315650	4	HEXAGONAL HEAD BOLT	DIN 933 M8 X 20-8.8A3L
22	72313268	5	NUT	DIN 934 M8-8A3L
23	72393671	2	BRACE	
24	72378063	1	RELIEF VALVE	DIN71401-CM14X1,5KEG
25	72438345	1	HOSE CLIP	
26	72389310	1	HOSE	

**<https://www.ebooklibonline.com>**

Hello dear friend!

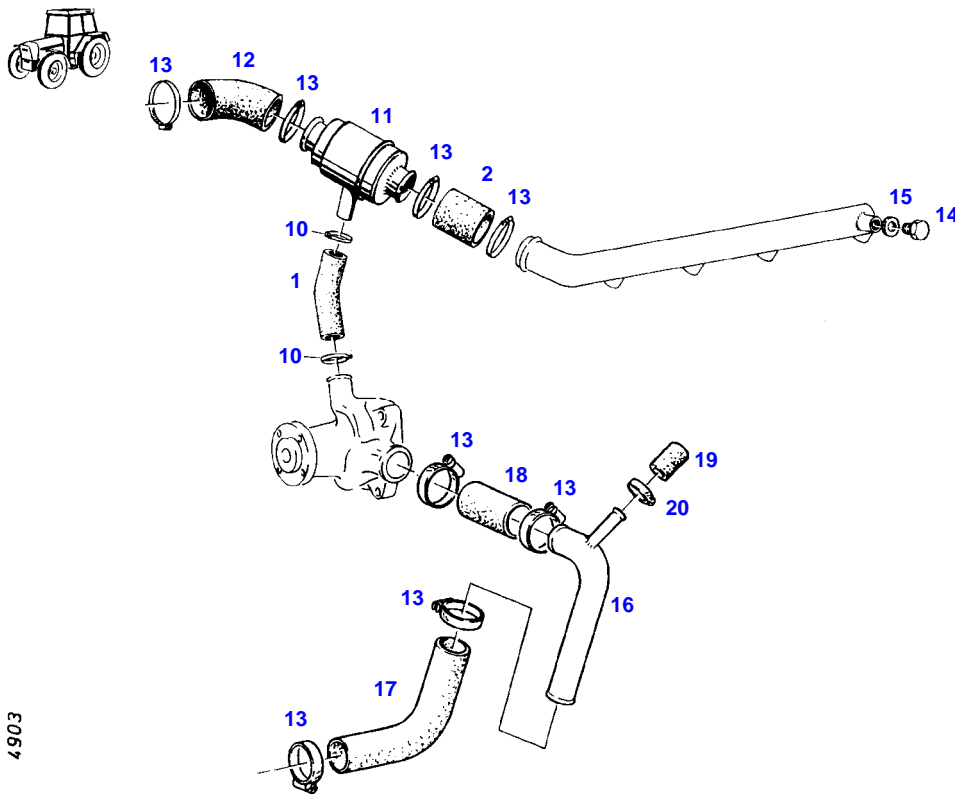
Thank you very much for reading.

Enter the link into your browser.

The full manual is available for immediate download.

**<https://www.ebooklibonline.com>**

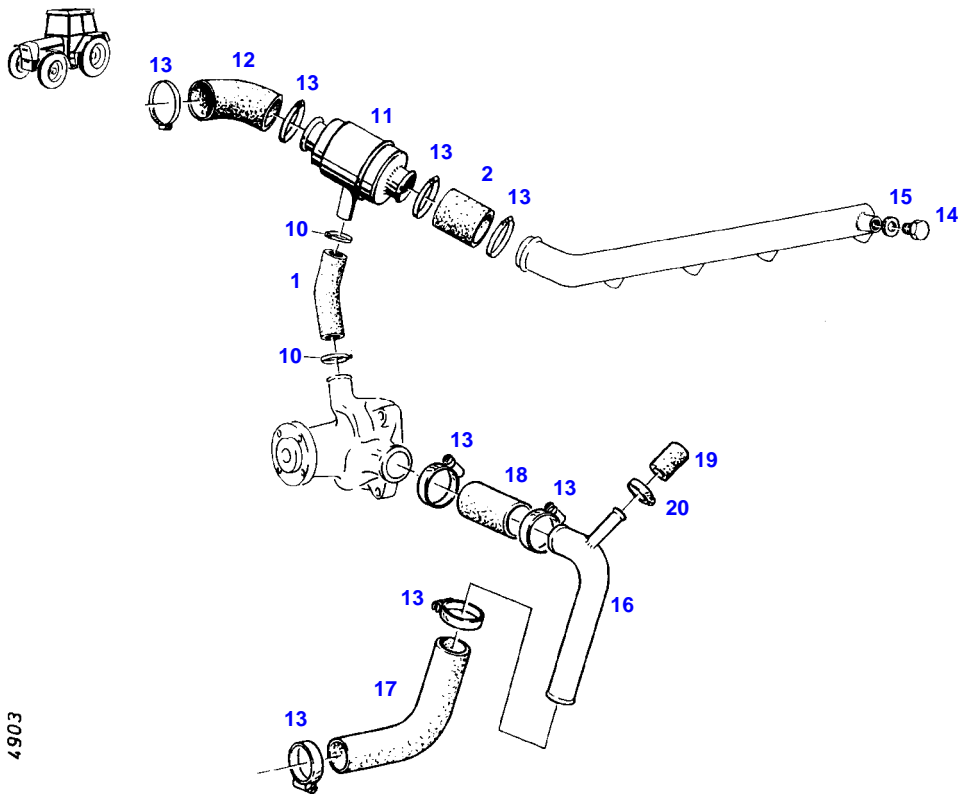
FARMER 306 (168/11501-13000)  
4903



4903

Item	Part Number	Qty	Description Comments	Technical Specification
			<b>RANGE OF TEMPERATURE 1+1 WITH AIR BRAKE SUPPLY EQUIPEMENT</b>	
1	72393670	1	RUBBER ARCH	
2	72450416	1	HOSE 1X 45MM CUT TO LENGTH	L=120 DIN73411-35X
10	72311167	2	HOSE CLIP	
11	72380193	1	THERMOSTAT	75GR+-2GR
12	72393666	1	RUBBER ARCH	
13	72311162	8	HOSE CLIP	
14	72315802	1	SCREW	DIN 7604 AM22X1,5-ST
15	72315101	1	SEALING WASHER	DIN 7603 A22X27-CU
16	72356702	1	SUCTION LINE	
17	72395412	1	RUBBER ARCH	
18	72393672	1	REDUCER	
19	72404925	1	CAP	
20	72311166	1	HOSE CLIP	

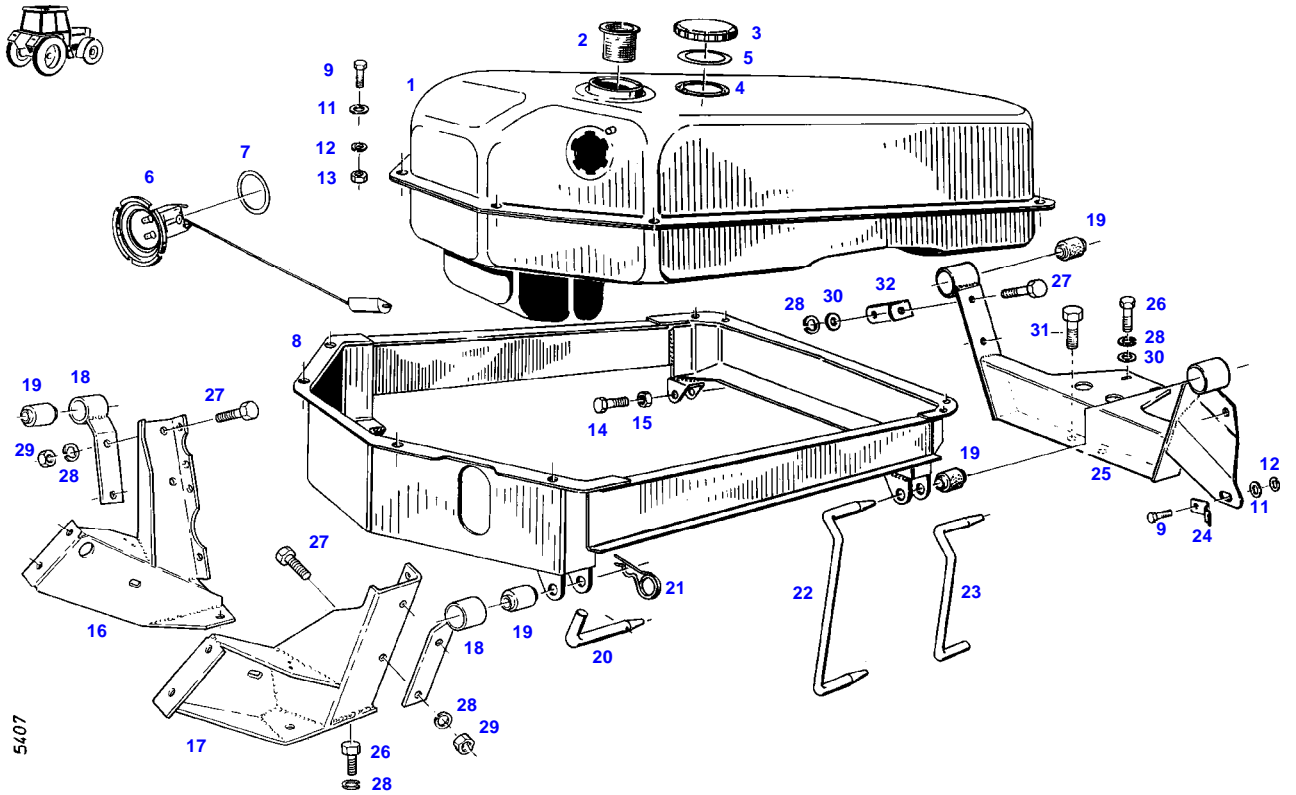
FARMER 306 (168/11501-13000)  
4903



4903

Item	Part Number	Qty	Description Comments	Technical Specification
			<b>RANGE OF TEMPERATURE 2+2 WITH AIR BRAKE SUPPLY EQUIPEMENT</b>	
1	72436027	1	HOSE 1X 120MM	L=320 DIN73411-25X3,5 R
2	72392140	1	RUBBER ARCH	
10	72311167	2	HOSE CLIP	
11	72380193	1	THERMOSTAT	75GR+-2GR
12	72393666	1	RUBBER ARCH	
13	72311162	8	HOSE CLIP	
14	72315802	1	SCREW	DIN 7604 AM22X1,5-ST
15	72315101	1	SEALING WASHER	DIN 7603 A22X27-CU
16	72356702	1	SUCTION LINE	
17	72395412	1	RUBBER ARCH	
18	72393672	1	REDUCER	
19	72404925	1	CAP	
20	72311166	1	HOSE CLIP	

FARMER 306 (168/11501-13000)  
5407

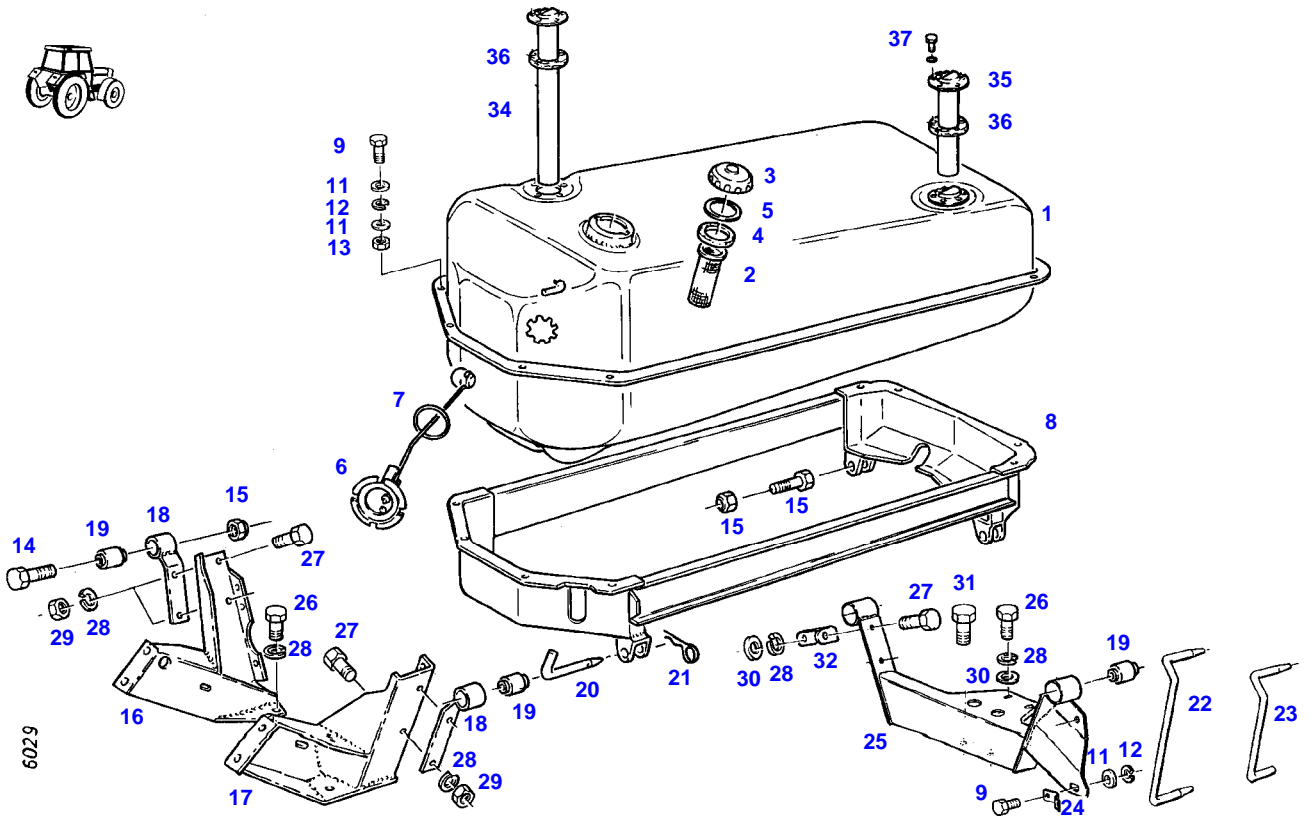


Item	Part Number	Qty	Description Comments	Technical Specification
			--> 168/12163	
1	72349985	1	FUEL TANK <>	
	72348556	1	FUEL LEVEL SENSOR	
	72409022	2	FLANGE	
	72315619	10	HEXAGONAL HEAD BOLT	DIN 933 M5X16-8.8A3L
	72376017	2	SEALING WASHER	DIN 7603-A5X7,5-CU
	72376132	2	SEALING WASHER	
	72376018	8	SEALING WASHER	DIN 7603 A5X9-VF
2	72433112	1	STRAINER	60X100-MS
3	72380143	1	FUEL CAP KOEHLER	M.BELUEF
			><3+4	
	72348297	1	FUEL CAP LOCKABLE BLAU	
			><3-5	
4	72330725	1	SEAL BLAU	
	72312304	1	RUBBER SEAL KOEHLER	
5	72330726	1	SEAL BLAU	
6	72613041	1	FUEL LEVEL SENSOR	
7	72315169	1	SEALING WASHER	
8	72357106	1	TANK FRAME	
9	72315626	7	HEXAGONAL HEAD BOLT	DIN 933-M6 X 16-8.8-A3L
11	72311822	12	DISC	DIN9021-6,4-140HV-A3L
12	72315052	8	SPLIT WASHER	FWN 65208-6-A3L
13	72313266	8	NUT	DIN 934 M6-8A3L
14	72315719	2	HEXAGONAL HEAD BOLT	DIN 933 M12X60-8.8A3L
15	72313325	2	NUT	DIN 980-VM12-8-A3L
16	72355440	1	BRACKET	
17	72355441	1	BRACKET	
18	72356758	2	SUPPORT ARM	
19	72310644	4	RUBBER BUSHING	
20	72404932	1	BEARING PIN	
21	72311183	1	HAIR COTTER PIN	DIN 11024-4-A3L
22	72393676	1	BEARING PIN	
23	72393681	1	BEARING PIN	
24	72393680	1	LEAF SPRING	
25	72355727	1	CROSSMEMBER	
26	72315642	8	HEXAGONAL HEAD BOLT	DIN 933 M8 X 16-8.8A3L
27	72315653	5	HEXAGONAL HEAD BOLT	DIN 933 M8 X 25-8.8A3L
28	72315053	13	SPLIT WASHER	FWN 65208-8-A3L
29	72313268	4	NUT	DIN 934 M8-8A3L
30	72311788	2	DISC	DIN 125-8,4-ST.A3L
31	72315675	2	HEXAGONAL HEAD BOLT	DIN 933 M10X16-8.8A3L
32	72393683	1	ANGLE	



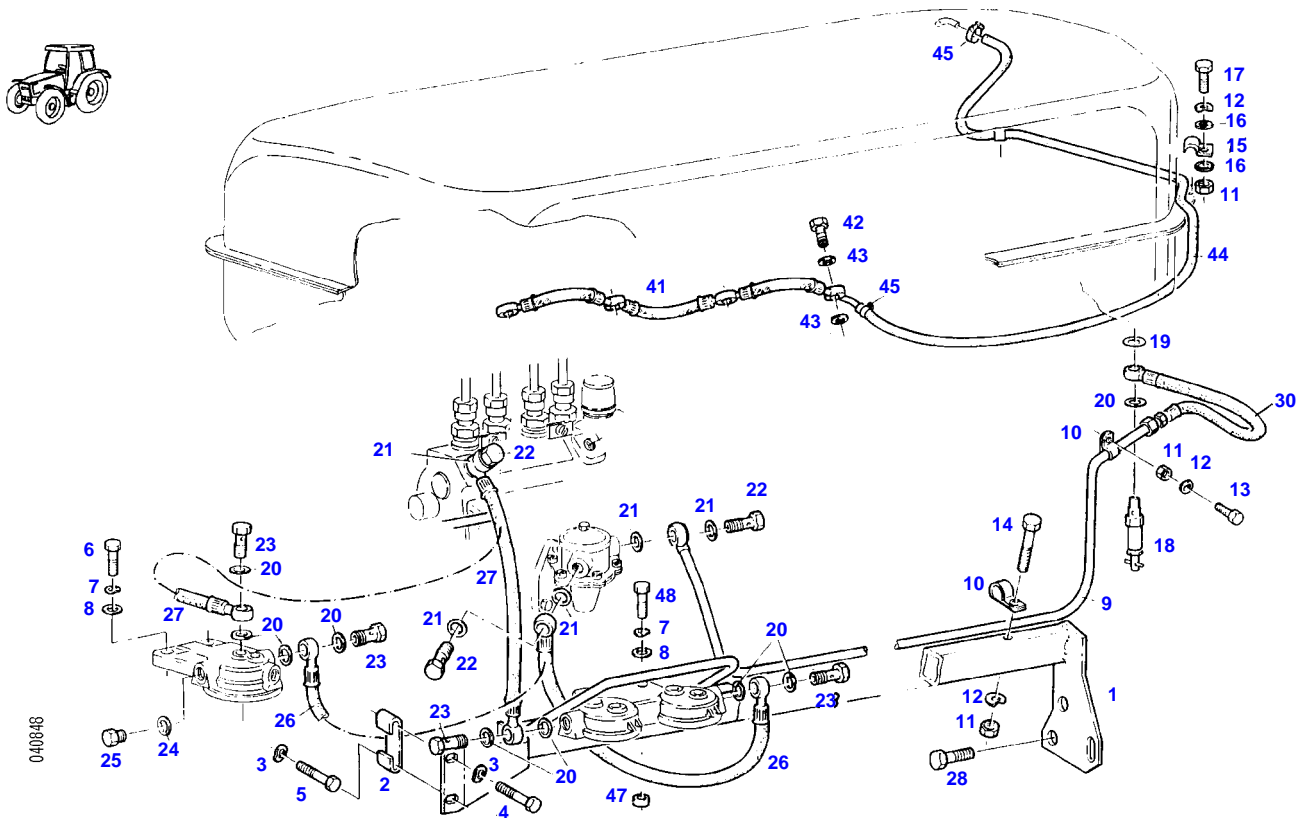
Item	Part Number	Qty	Description Comments	Technical Specification
			<-- 168/12164	
1	72349985	1	FUEL TANK	
			<>	
	72376132	2	SEALING WASHER	
	72376018	8	SEALING WASHER	DIN 7603 A5X9-VF
	72376017	2	SEALING WASHER	DIN 7603-A5X7,5-CU
	72315619	10	HEXAGONAL HEAD BOLT	DIN 933 M5X16-8.8A3L
	72409022	2	FLANGE	
	72348556	1	FUEL LEVEL SENSOR	
2	72433112	1	STRAINER	60X100-MS
3	72380143	1	FUEL CAP KOEHLER	M.BELUEF
			><3+4	
	72348297	1	FUEL CAP LOCKABLE BLAU	
			><3-5	
4	72330725	1	SEAL BLAU	
	72312304	1	RUBBER SEAL KOEHLER	
5	72330726	1	SEAL BLAU	
6	72613041	1	FUEL LEVEL SENSOR	
7	72315169	1	SEALING WASHER	
8	72357106	1	TANK FRAME	
9	72315626	7	HEXAGONAL HEAD BOLT	DIN 933-M6 X 16-8.8-A3L
11	72311822	12	DISC	DIN9021-6,4-140HV-A3L
12	72315052	8	SPLIT WASHER	FWN 65208-6-A3L
13	72313266	8	NUT	DIN 934 M6-8A3L
14	72315719	2	HEXAGONAL HEAD BOLT	DIN 933 M12X60-8.8A3L
15	72313325	2	NUT	DIN 980-VM12-8-A3L
16	72356748	1	BRACKET	
17	72356749	1	BRACKET	
18	72356758	2	SUPPORT ARM	
19	72310644	4	RUBBER BUSHING	
20	72404932	1	BEARING PIN	
21	72311183	1	HAIR COTTER PIN	DIN 11024-4-A3L
22	72393676	1	BEARING PIN	
23	72393681	1	BEARING PIN	
24	72393680	1	LEAF SPRING	
25	72355727	1	CROSSMEMBER	
26	72315642	8	HEXAGONAL HEAD BOLT	DIN 933 M8 X 16-8.8A3L
27	72315653	5	HEXAGONAL HEAD BOLT	DIN 933 M8 X 25-8.8A3L
28	72315053	13	SPLIT WASHER	FWN 65208-8-A3L
29	72313268	4	NUT	DIN 934 M8-8A3L
30	72311788	2	DISC	DIN 125-8,4-ST.A3L
31	72315675	2	HEXAGONAL HEAD BOLT	DIN 933 M10X16-8.8A3L
32	72393683	1	ANGLE	
35	72409022	2	FLANGE	
36	72376132	2	SEALING WASHER	
			<>38	
			<>	
	72376018	10	SEALING WASHER	DIN 7603 A5X9-VF
37	72315619	10	HEXAGONAL HEAD BOLT	DIN 933 M5X16-8.8A3L
38	72376018	10	SEALING WASHER	DIN 7603 A5X9-VF

FARMER 306 (168/11501-13000)  
6029



Item	Part Number	Qty	Description Comments	Technical Specification
<b>BOARD COMPUTER</b>				
1	72349985	1	FUEL TANK <>	
	72409022	2	FLANGE	
	72315619	10	HEXAGONAL HEAD BOLT	DIN 933 M5X16-8.8A3L
	72348556	1	FUEL LEVEL SENSOR	
	72376132	2	SEALING WASHER	
	72376017	2	SEALING WASHER	DIN 7603-A5X7,5-CU
	72376018	8	SEALING WASHER	DIN 7603 A5X9-VF
2	72433112	1	STRAINER	60X100-MS
3	72380143	1	FUEL CAP KOEHLER	M.BELUEF
	72348297	1	><3+4 FUEL CAP LOCKABLE BLAU ><3-5	
4	72330725	1	SEAL BLAU	
	72312304	1	RUBBER SEAL KOEHLER	
5	72330726	1	SEAL BLAU	
6	72613041	1	FUEL LEVEL SENSOR	
7	72315169	1	SEALING WASHER	
8	72357106	1	TANK FRAME	
9	72315626	7	HEXAGONAL HEAD BOLT	DIN 933-M6 X 16-8.8-A3L
11	72311822	12	DISC	DIN9021-6,4-140HV-A3L
12	72315052	8	SPLIT WASHER	FWN 65208-6-A3L
13	72313266	8	NUT	DIN 934 M6-8A3L
14	72315719	2	HEXAGONAL HEAD BOLT	DIN 933 M12X60-8.8A3L
15	72313325	2	NUT	DIN 980-VM12-8-A3L
16	72356748	1	BRACKET	
17	72356749	1	BRACKET	
18	72356758	2	SUPPORT ARM	
19	72310644	4	RUBBER BUSHING	
20	72404932	1	BEARING PIN	
21	72311183	1	HAIR COTTER PIN	DIN 11024-4-A3L
22	72393676	1	BEARING PIN	
23	72393681	1	BEARING PIN	
24	72393680	1	LEAF SPRING	
25	72355727	1	CROSSMEMBER	
26	72315642	8	HEXAGONAL HEAD BOLT	DIN 933 M8 X 16-8.8A3L
27	72315653	5	HEXAGONAL HEAD BOLT	DIN 933 M8 X 25-8.8A3L
28	72315053	13	SPLIT WASHER	FWN 65208-8-A3L
29	72313268	4	NUT	DIN 934 M8-8A3L
30	72311788	2	DISC	DIN 125-8,4-ST.A3L
31	72315675	2	HEXAGONAL HEAD BOLT	DIN 933 M10X16-8.8A3L
32	72393683	1	ANGLE	
34	72380156	1	FUEL LEVEL SENSOR	
35	72380157	1	FUEL LEVEL SENSOR	
36	72376132	2	SEALING WASHER <>38,39 <>	
	72376017	2	SEALING WASHER	DIN 7603-A5X7,5-CU
	72376018	8	SEALING WASHER	DIN 7603 A5X9-VF
37	72315619	10	HEXAGONAL HEAD BOLT	DIN 933 M5X16-8.8A3L
38	72376018	8	SEALING WASHER	DIN 7603 A5X9-VF
39	72376017	2	SEALING WASHER	DIN 7603-A5X7,5-CU

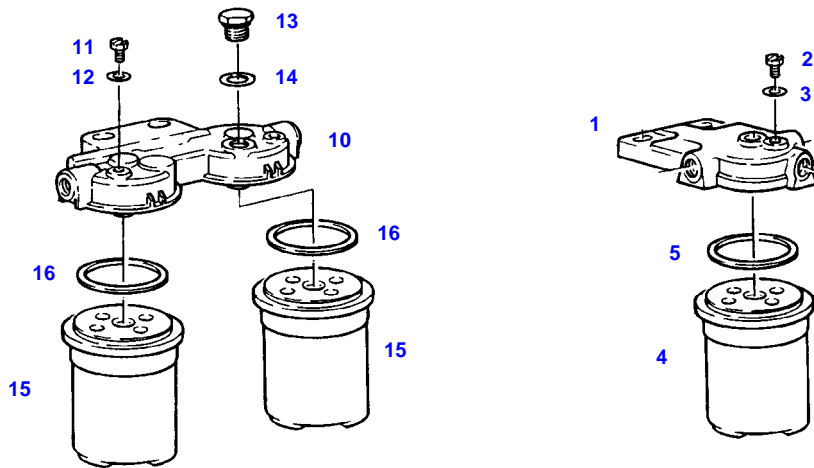
FARMER 306 (168/11501-13000)  
40848



040848

Item	Part Number	Qty	Description Comments	Technical Specification
1	72356743	1	RETAINER	
2	72399913	1	HOLDER	
3	72317122	2	SPRING WASHER	DIN 137 B10-MECH.VZK
4	72315689	1	HEXAGONAL HEAD BOLT	DIN 933 M10X35-8.8A3L
5	72315691	1	HEXAGONAL HEAD BOLT	DIN 933 M10X40-8.8A3L
6	72315657	2	HEXAGONAL HEAD BOLT	DIN 933 M8 X 30-8.8A3L
7	72315053	2	SPLIT WASHER	FWN 65208-8-A3L
8	72311824	2	DISC	DIN9021-8,4-140HV-A3L
9	72356707	1	TUBING	
10	72311241	2	PIPE CLAMP	
11	72313266	3	NUT	DIN 934 M6-8A3L
12	72315052	3	SPLIT WASHER	FWN 65208-6-A3L
13	72315626	1	HEXAGONAL HEAD BOLT	DIN 933-M6 X 16-8.8-A3L
	72311787	1	DISC	DIN 125-6,4-ST.A3L
			NOT ILLUSTRATED	
14	72315637	1	HEXAGONAL HEAD BOLT	DIN 933 M6X45-8.8A3L
15	72398941	2	FASTENING COLLAR	
16	72311822	4	DISC	DIN9021-6,4-140HV-A3L
17	72315631	2	HEXAGONAL HEAD BOLT	DIN 933 M6 X 20-8.8A3L
18	72380159	1	FUEL SHUT-OFF VALVE	
19	72315093	1	SEALING WASHER	DIN 7603 A12X18-CU
20	72315095	5	SEALING WASHER	DIN 7603 A14X20-CU
21	72315095	6	SEALING WASHER	DIN 7603 A14X20-CU
22	72315808	3	BANJO BOLT	DIN 7643-10-3-A3L
23	72315808	2	BANJO BOLT	DIN 7643-10-3-A3L
24	72315095	2	SEALING WASHER	DIN 7603 A14X20-CU
25	72315799	2	PLUG	DIN 7604 AM14X1,5-A3L
26	72356760	1	FUEL LINE	
27	72355537	1	FUEL LINE	
28	72374490	2	HEXAGONAL HEAD BOLT	DIN 933 M14X20-8.8
	72374493	2	HEXAGONAL HEAD BOLT	DIN 933 M14X30-8.8
30	72357312	1	HOSE LINE	
41	72339360	1	LEAKAGE OIL LINE	
42	72315809	4	BANJO BOLT	DIN 7643-4-5-A3L
43	72315086	8	SEALING WASHER	DIN 7603 A8X11,5-CU
44	72378086	1	PRESSURE HOSE	FWN 66041-P4
45	72438345	2	HOSE CLIP	
47	72311848	2	DISC	
48	72315660	2	HEXAGONAL HEAD BOLT	DIN 933 M8X35-8.8A3L

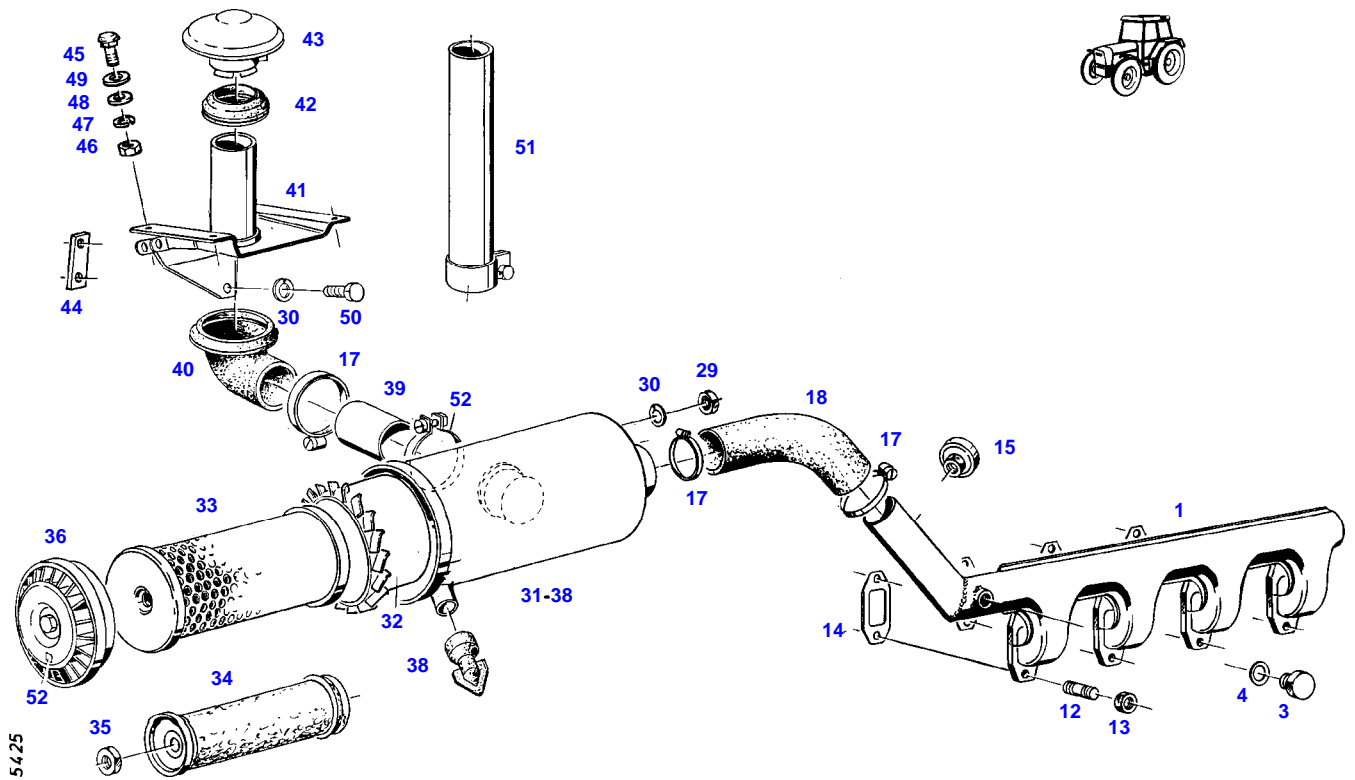
FARMER 306 (168/11501-13000)  
4952



4952

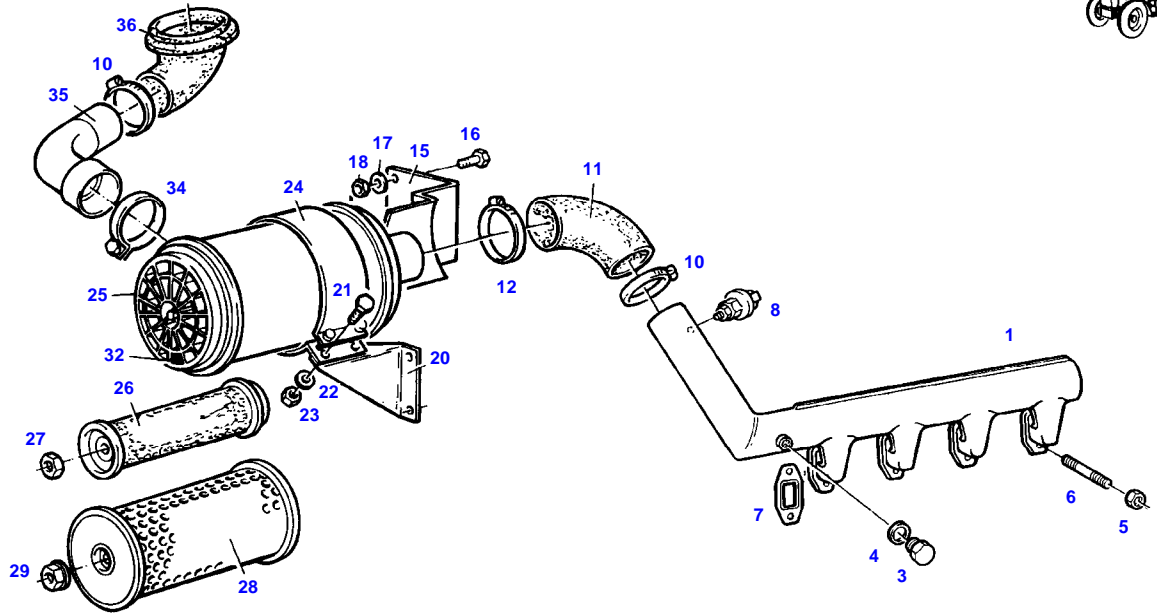
Item	Part Number	Qty	Description Comments	Technical Specification
1	72615599	1	FILTER LID ><2,3	
2	72323290	1	BLEED SCREW	
3	72315084	1	SEALING WASHER	DIN 7603 A6X10-CU
4	72416928	1	FILTER BOX ><5	
5	72314995	1	RUBBER RING PARALLEL-FILTER	
10	72380173	1	PARALLEL FILTER BOSCH ><11-16 <-- X810.190.166.000 1X <>	
	72416928	2	FILTER BOX	
	72451307	1	COVER KNECHT ><11,12 <>	PARALLELFILT.
	72416928	2	FILTER BOX	
11	72323290	2	BLEED SCREW BOSCH	
	72314699	2	BLEED SCREW KNECHT	
12	72315084	2	SEALING WASHER BOSCH	DIN 7603 A6X10-CU
	72315086	2	SEALING WASHER KNECHT	DIN 7603 A8X11,5-CU
13	72326250	1	SCREW BOSCH	
14	72315095	1	SEALING WASHER BOSCH	DIN 7603 A14X20-CU
15	72416928	2	FILTER BOX ><16	
16	72314995	2	RUBBER RING	

FARMER 306 (168/11501-13000)  
5425



Item	Part Number	Qty	Description Comments	Technical Specification
			<b>PICLON</b>	
1	72355728	1	INTAKE MANIFOLD	
	72355729	1	INTAKE MANIFOLD AIR BRAKING SYSTEM	
3	72373975	1	SCREW	DIN 910 M20X1,5-ST
4	72376031	1	SEALING WASHER	DIN 7603 A20X24-CU
12	72373922	8	STUD BOLT	DIN 835-M10X25-8.8
13	72373015	8	NUT	DIN70615-M10-8-A3B
14	72332145	4	MOLDED SEAL	
15	72316876	1	MAINTENANCE SWITCH	
17	72373528	3	HOSE CLIP	
18	72393689	1	RUBBER ARCH	
29	72313268	4	NUT	DIN 934 M8-8A3L
30	72315053	6	SPLIT WASHER	FWN 65208-8-A3L
31	72348100	1	AIR FILTER >>31-38	
32	72329111	1	DIFFUSER	
33	72329734	1	MICRO-TOP CARTRIDGE	
34	72329735	1	SAFETY CARTRIDGE	
35	72372827	1	NUT	DIN 934 M16X1,5-10A3L
36	72329736	1	FLOOR	
38	72326122	1	DUST DISCHARGE VALVE	
39	72393687	1	CONNECTING PIPE	
40	72393688	1	BELLOWS	
41	72355730	1	AIR INTAKE	
42	72393690	1	SEALING RING	
43	72330730	1	RAIN CAP	
44	72393790	1	THREADED PLATE	
45	72373806	4	TRUSS HEAD SCREW	DIN 603 M6X16-A3L
46	72313266	5	NUT	DIN 934 M6-8A3L
47	72315052	4	SPLIT WASHER	FWN 65208-6-A3L
48	72311787	4	DISC	DIN 125-6,4-ST.A3L
49	72311788	4	DISC	DIN 125-8,4-ST.A3L
50	72315645	2	HEXAGONAL HEAD BOLT	DIN 933 M8 X 12-8.8A3L
51	72384104	1	CONNECTING PIPE	
52	72389314	1	ABSORPTION INDICATOR	
	72329737	1	PIPE CLAMP <-- X458.648.500.000	

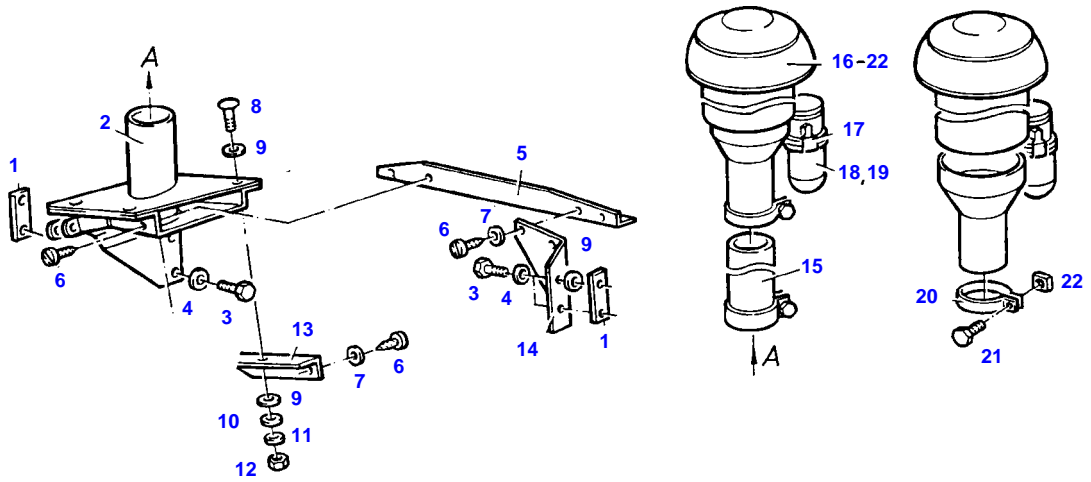
FARMER 306 (168/11501-13000)  
5972



5972

Item	Part Number	Qty	Description Comments	Technical Specification
			<b>PICO</b> <b>&lt;--168/12032</b>	
1	72355728	1	INTAKE MANIFOLD	
	72355729	1	INTAKE MANIFOLD AIR BRAKING SYSTEM	
3	72373975	1	SCREW	DIN 910 M20X1,5-ST
4	72376031	1	SEALING WASHER	DIN 7603 A20X24-CU
5	72373015	8	NUT	DIN70615-M10-8-A3B
6	72373922	8	STUD BOLT	DIN 835-M10X25-8.8
7	72332145	4	MOLDED SEAL	
8	72316876	1	MAINTENANCE SWITCH	
10	72373528	2	HOSE CLIP	
11	72393709	1	RUBBER ARCH	
12	72311171	1	HOSE CLIP	
15	72356745	1	RETAINER	
16	72315645	3	HEXAGONAL HEAD BOLT	DIN 933 M8 X 12-8.8A3L
17	72315053	3	SPLIT WASHER	FWN 65208-8-A3L
18	72313268	3	NUT	DIN 934 M8-8A3L
20	72395446	1	SUPPORT	
21	72315629	2	HEXAGONAL HEAD BOLT	DIN 933 M6 X 12-8.8A3L
22	72315052	2	SPLIT WASHER	FWN 65208-6-A3L
23	72313266	2	NUT	DIN 934 M6-8A3L
24	72348547	1	PIPE CLAMP	
25	72348545	1	AIR FILTER ><25-29	
26	72332126	1	SAFETY CARTRIDGE	
27	72339030	1	COLLAR NUT	
28	72332441	1	MICRO-TOP CARTRIDGE	
29	72372827	1	NUT	DIN 934 M16X1,5-10A3L
32	72389314	1	ABSORPTION INDICATOR	
34	72373517	1	CLAMPING CLIP	
35	72356718	1	ELBOW FITTING	
36	72393688	1	BELLOWS	

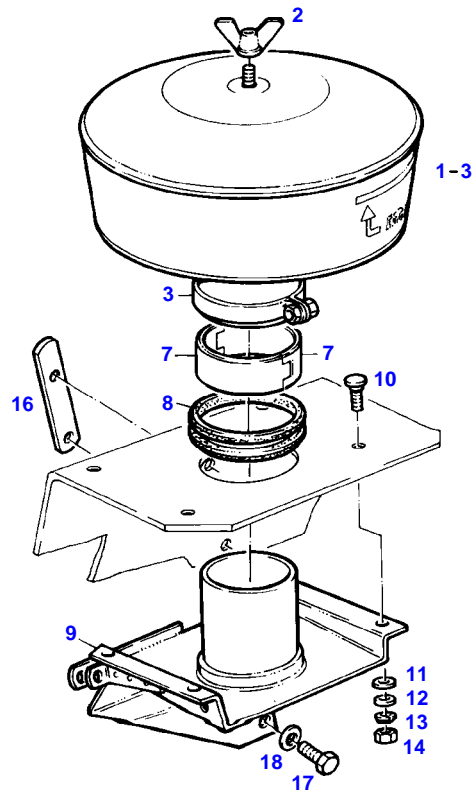
FARMER 306 (168/11501-13000)  
4270



4270

Item	Part Number	Qty	Description Comments	Technical Specification
			PICO <--168/12032	
1	72393790	2	THREADED PLATE	
2	72356719	1	AIR INTAKE	
3	72315645	4	HEXAGONAL HEAD BOLT	DIN 933 M8 X 12-8.8A3L
4	72315053	4	SPLIT WASHER	FWN 65208-8-A3L
5	72395424	1	STIFFENING PLATE	
6	72315789	6	SCREW	DIN 7981 ST4,8X9,5-C-H-A3
7	72311785	4	DISC	DIN 125-5,3-ST.A3L
8	72373806	4	TRUSS HEAD SCREW	DIN 603 M6X16-A3L
9	72311788	9	DISC	DIN 125-8,4-ST.A3L
10	72311787	4	DISC	DIN 125-6,4-ST.A3L
11	72315052	4	SPLIT WASHER	FWN 65208-6-A3L
12	72313266	4	NUT	DIN 934 M6-8A3L
13	72395425	1	GUSSET PLATE	
14	72395423	1	GUSSET PLATE	
15	72384104	1	CONNECTING PIPE	
16	72348546	1	CYCLONE AIR CLEANER ><17-22	
17	72321921	1	CATCH	
18	72330736	1	FUNNEL	
19	72320204	1	CONTAINER	
20	72328628	1	PIPE CLAMP	
21	72328615	1	HEXAGONAL HEAD BOLT	
22	72372784	1	SQUARE NUT	DIN 557 M8-5

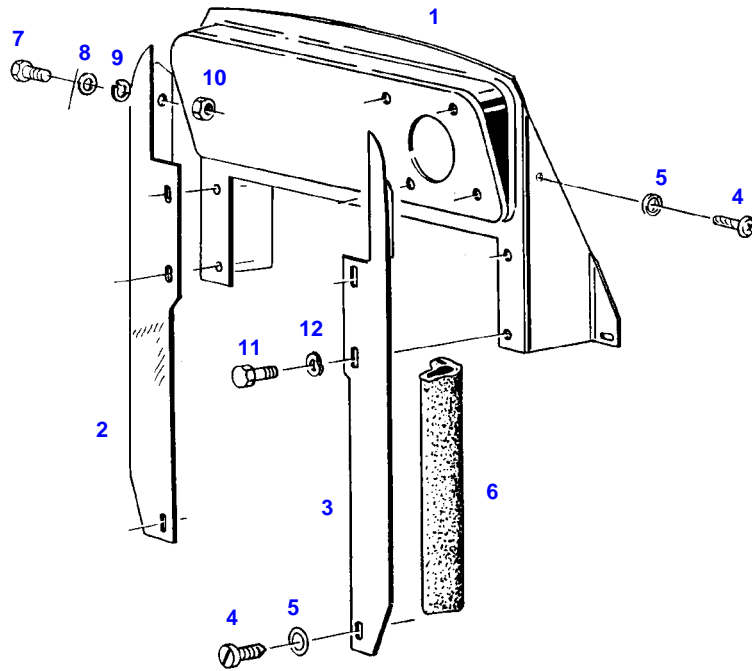
FARMER 306 (168/11501-13000)  
5994



7594

Item	Part Number	Qty	Description Comments	Technical Specification
			PICO <--168/12032	
1	72348552	1	PRE-CLEANER >>1-3	
	72311582	1	DUST CUP	
2	72313238	1	WING NUT	
3	72332464	1	HOSE CLIP	
7	72395448	2	HALF-BEARING	
8	72393690	1	SEALING RING	
9	72356750	1	AIR INTAKE	
10	72373806	4	TRUSS HEAD SCREW	DIN 603 M6X16-A3L
11	72311788	4	DISC	DIN 125-8,4-ST.A3L
12	72311787	4	DISC	DIN 125-6,4-ST.A3L
13	72315052	4	SPLIT WASHER	FWN 65208-6-A3L
14	72313266	4	NUT	DIN 934 M6-8A3L
16	72393790	1	THREADED PLATE	
17	72315645	2	HEXAGONAL HEAD BOLT	DIN 933 M8 X 12-8.8A3L
18	72315053	2	SPLIT WASHER	FWN 65208-8-A3L

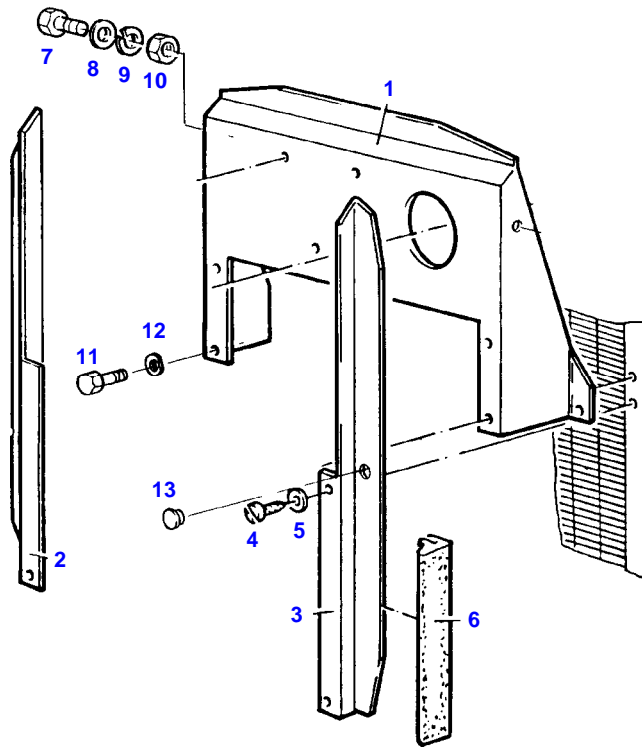
FARMER 306 (168/11501-13000)  
4908



4908

Item	Part Number	Qty	Description Comments	Technical Specification
			<b>RANGE OF TEMPERATURE 1+2 / 1+2 WITH AIR BRAKE SUPPLY EQUIPEMENT</b>	
1	72392142	1	FILTER BRACKET	
2	72392835	1	SPLASH PANEL	
	72392143	1	SPLASH PANEL AIR CONDITION	
3	72392834	1	SPLASH PANEL	
4	72315785	3	SCREW	DIN 7981 ST4,2X9,5-C-H-A3
5	72311817	3	DISC	DIN9021-4,3-140HV-A3L
6	72393692	1	SEALING PROFILE	
7	72315626	1	HEXAGONAL HEAD BOLT	DIN 933-M6 X 16-8.8-A3L
8	72311787	1	DISC	DIN 125-6,4-ST.A3L
9	72315052	1	SPLIT WASHER	FWN 65208-6-A3L
10	72313266	1	NUT	DIN 934 M6-8A3L
11	72315645	4	HEXAGONAL HEAD BOLT	DIN 933 M8 X 12-8.8A3L
12	72317121	4	SPRING WASHER	DIN 137 B8-MECH.VZK

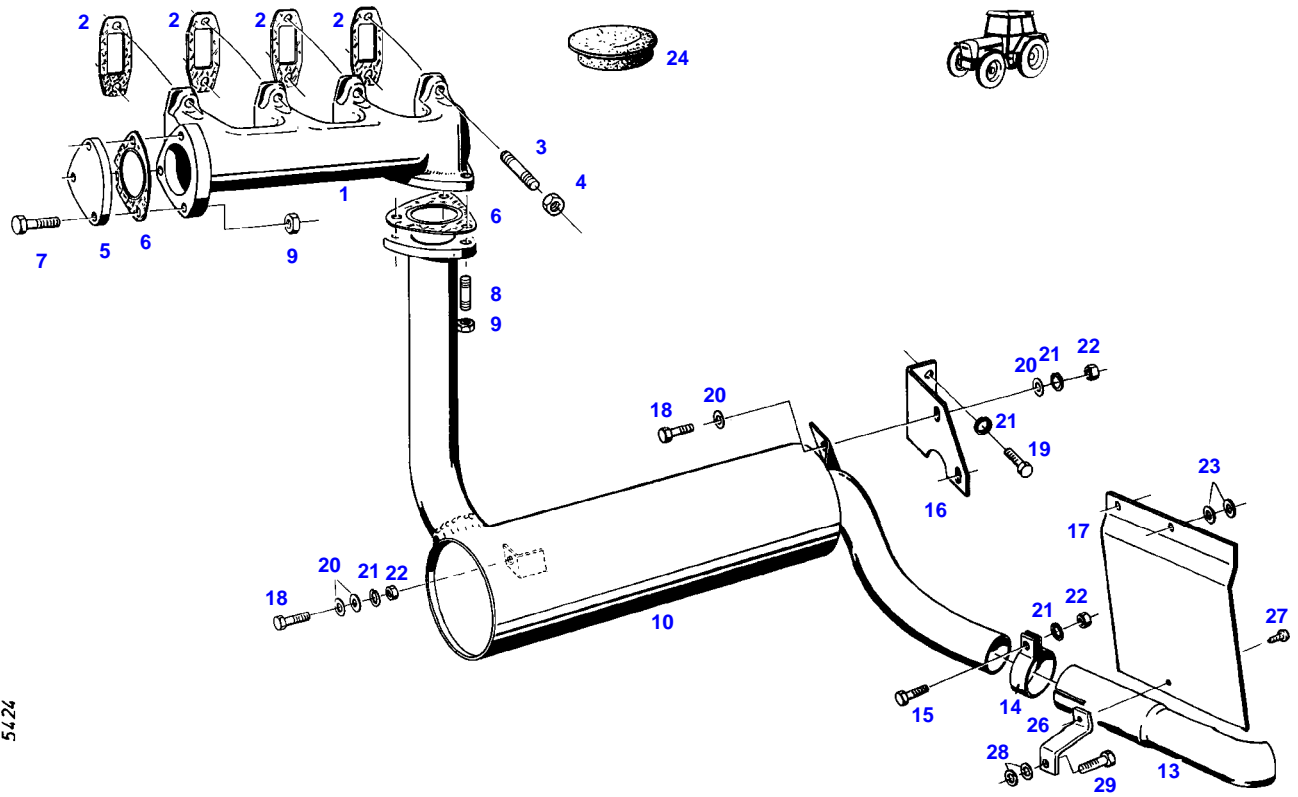
FARMER 306 (168/11501-13000)  
4909



4909

Item	Part Number	Qty	Description Comments	Technical Specification
			<b>RANGE OF TEMPERATURE 2 WITH AIR CONDITION</b>	
1	72355406	1	FILTER BRACKET	
2	72392798	1	SPLASH PANEL	
	72392799	1	SPLASH PANEL AIR CONDITION	
3	72392797	1	SPLASH PANEL	
4	72315785	4	SCREW	DIN 7981 ST4,2X9,5-C-H-A3
5	72311817	4	DISC	DIN9021-4,3-140HV-A3L
6	72393692	1	SEALING PROFILE	
7	72315629	2	HEXAGONAL HEAD BOLT	DIN 933 M6 X 12-8.8A3L
8	72311787	2	DISC	DIN 125-6,4-ST.A3L
9	72315052	2	SPLIT WASHER	FWN 65208-6-A3L
10	72313266	2	NUT	DIN 934 M6-8A3L
11	72315645	4	HEXAGONAL HEAD BOLT	DIN 933 M8 X 12-8.8A3L
12	72317121	4	SPRING WASHER	DIN 137 B8-MECH.VZK
13	72314765	1	LOCKING PLUG	

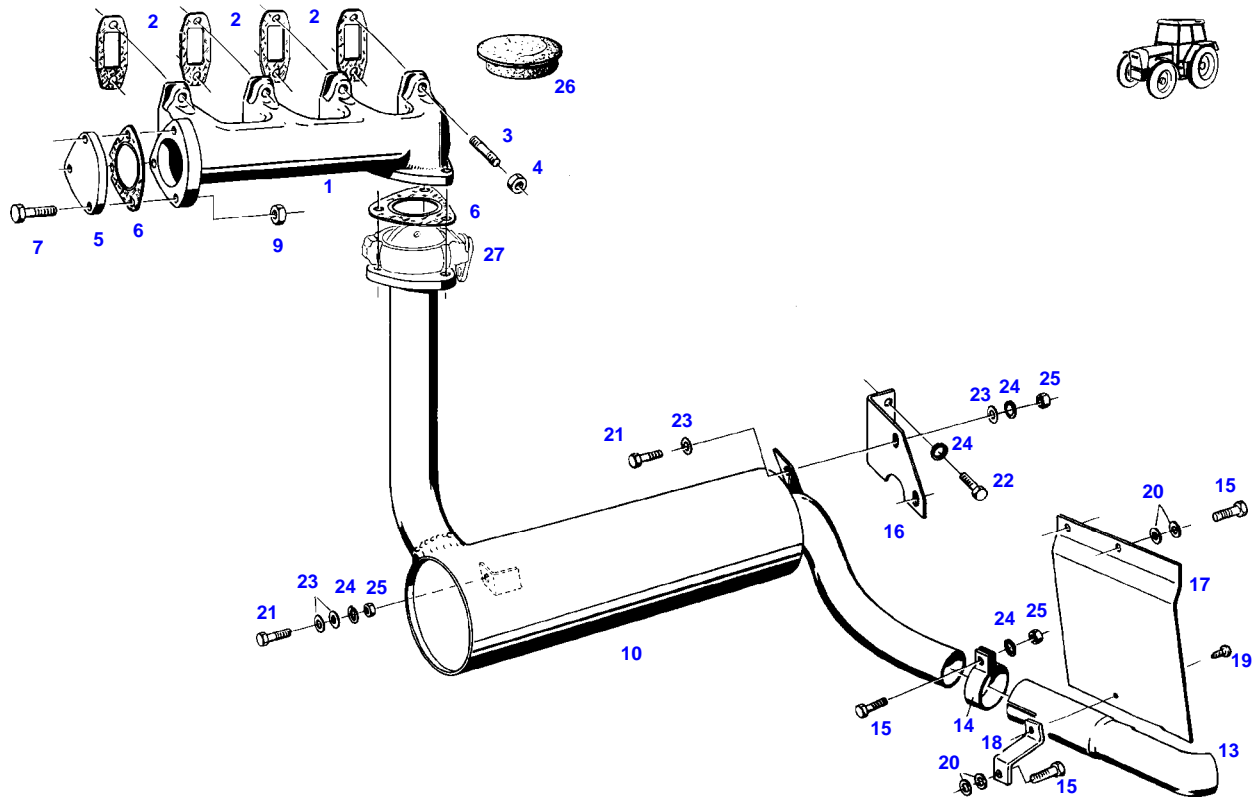
FARMER 306 (168/11501-13000)  
5424



5424

Item	Part Number	Qty	Description Comments	Technical Specification
1	72393699	1	EXHAUST COLLECTING PIPE	
2	72332145	4	MOLDED SEAL	
3	72313777	8	STUD BOLT	DIN 939 M10X35-8.8
4	72313272	8	NUT	DIN 934 M10-8A3L
5	72393700	1	BLANK FLANGE	
6	72407298	2	MOLDED SEAL	
7	72315660	3	HEXAGONAL HEAD BOLT	DIN 933 M8X35-8.8A3L
8	72313770	3	STUD BOLT	FWN64891-M8X20-8.8
9	72313269	6	NUT	DIN 934 M8-8C2A
10	72355733	1	EXHAUST MUFFLER	
	72355736	1	EXHAUST MUFFLER TO WELD IN	
13	72393695	1	EXHAUST TAILPIPE	
14	72373437	1	PIPE CLAMP	DIN71555-63,5 EDELSTAHL
15	72315657	1	HEXAGONAL HEAD BOLT	DIN 933 M8 X 30-8.8A3L
16	72396312	1	RETAINING BRACKET	
17	72395464	1	DEFLECTOR	
18	72315646	3	HEXAGONAL HEAD BOLT	DIN 933 M8X18-8.8A3L
19	72315642	2	HEXAGONAL HEAD BOLT	DIN 933 M8 X 16-8.8A3L
20	72311788	6	DISC	DIN 125-8,4-ST.A3L
21	72315053	6	SPLIT WASHER	FWN 65208-8-A3L
22	72313268	4	NUT	DIN 934 M8-8A3L
23	72311824	4	DISC	DIN9021-8,4-140HV-A3L
24	72395945	1	COVER	
26	72393697	1	RETAINER	
27	72315820	1	SCREW	DIN7976-ST6,3X13-C-A3L
28	72311824	2	DISC	DIN9021-8,4-140HV-A3L
29	72315657	3	HEXAGONAL HEAD BOLT	DIN 933 M8 X 30-8.8A3L

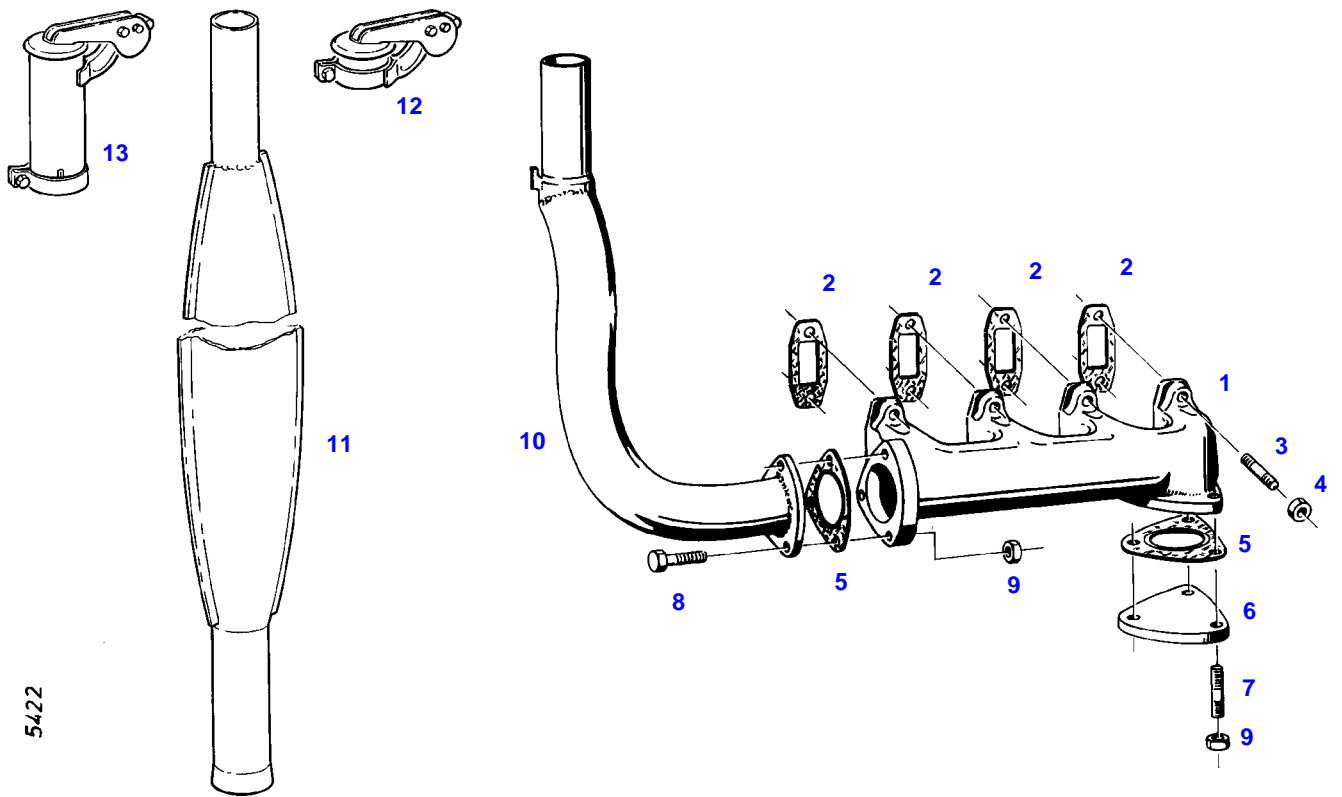
FARMER 306 (168/11501-13000)  
5423



5423

Item	Part Number	Qty	Description Comments	Technical Specification
<b>ENGINE BRAKE</b>				
1	72393699	1	EXHAUST COLLECTING PIPE	
2	72332145	4	MOLDED SEAL	
3	72313777	8	STUD BOLT	DIN 939 M10X35-8.8
4	72313272	8	NUT	DIN 934 M10-8A3L
5	72393700	1	BLANK FLANGE	
6	72407298	1	MOLDED SEAL	
7	72315660	3	HEXAGONAL HEAD BOLT	DIN 933 M8X35-8.8A3L
9	72313269	3	NUT	DIN 934 M8-8C2A
10	72355740	1	EXHAUST MUFFLER	
	72355736	1	EXHAUST MUFFLER TO WELD IN	
13	72393695	1	EXHAUST TAILPIPE	
14	72373437	1	PIPE CLAMP	DIN71555-63,5 EDELSTAHL
15	72315657	4	HEXAGONAL HEAD BOLT	DIN 933 M8 X 30-8.8A3L
16	72396312	1	RETAINING BRACKET	
17	72395464	1	DEFLECTOR	
18	72393697	1	RETAINER	
19	72315820	1	SCREW	DIN7976-ST6,3X13-C-A3L
20	72311824	6	DISC	DIN9021-8,4-140HV-A3L
21	72315646	3	HEXAGONAL HEAD BOLT	DIN 933 M8X18-8.8A3L
22	72315642	2	HEXAGONAL HEAD BOLT	DIN 933 M8 X 16-8.8A3L
23	72311788	6	DISC	DIN 125-8,4-ST.A3L
24	72315053	6	SPLIT WASHER	FWN 65208-8-A3L
25	72313266	4	NUT	DIN 934 M6-8A3L
26	72395945	1	COVER	
27			SEE ENGINE BRAKE	

FARMER 306 (168/11501-13000)  
5422



5422



**Suggest:**

**For more complete manuals. Please go to the home page.**

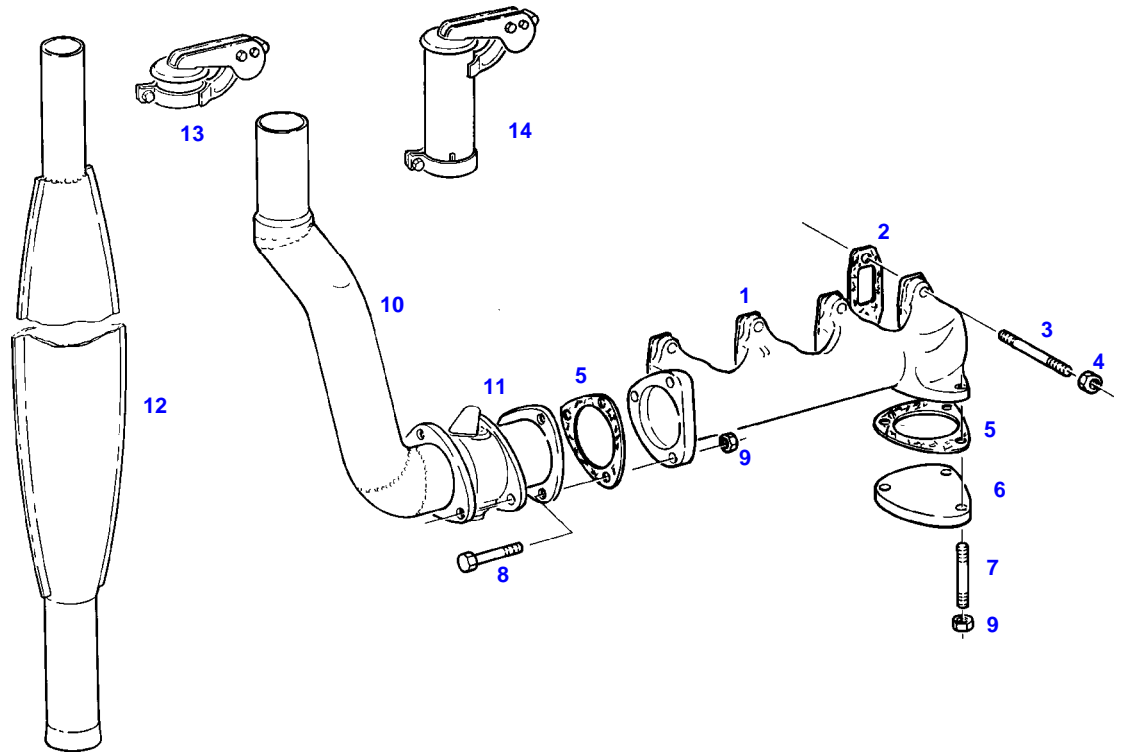
**<https://www.ebooklibonline.com>**

**If the above button click is invalid. Please download this document first, and then click the above link to download the complete manual.**

**Thank you so much for reading**

Item	Part Number	Qty	Description Comments	Technical Specification
1	72393699	1	EXHAUST COLLECTING PIPE	
2	72332145	4	MOLDED SEAL	
3	72313777	8	STUD BOLT	DIN 939 M10X35-8.8
4	72313272	8	NUT	DIN 934 M10-8A3L
5	72407298	2	MOLDED SEAL	
6	72393700	1	BLANK FLANGE	
7	72313770	3	STUD BOLT	FWN64891-M8X20-8.8
8	72315660	3	HEXAGONAL HEAD BOLT	DIN 933 M8X35-8.8A3L
9	72313269	6	NUT	DIN 934 M8-8C2A
10	72355737	1	EXHAUST PIPE	
11	72355738	1	EXHAUST MUFFLER	
	72355754	1	SPARK ARRESTER AUSTRALIA	
12	72347590	1	EXHAUST WEATHER CAP	
13	72383243	1	EXHAUST EXTENSION ><12	

FARMER 306 (168/11501-13000)  
5421



5421

**<https://www.ebooklibonline.com>**

Hello dear friend!

Thank you very much for reading.

Enter the link into your browser.

The full manual is available for immediate download.

**<https://www.ebooklibonline.com>**