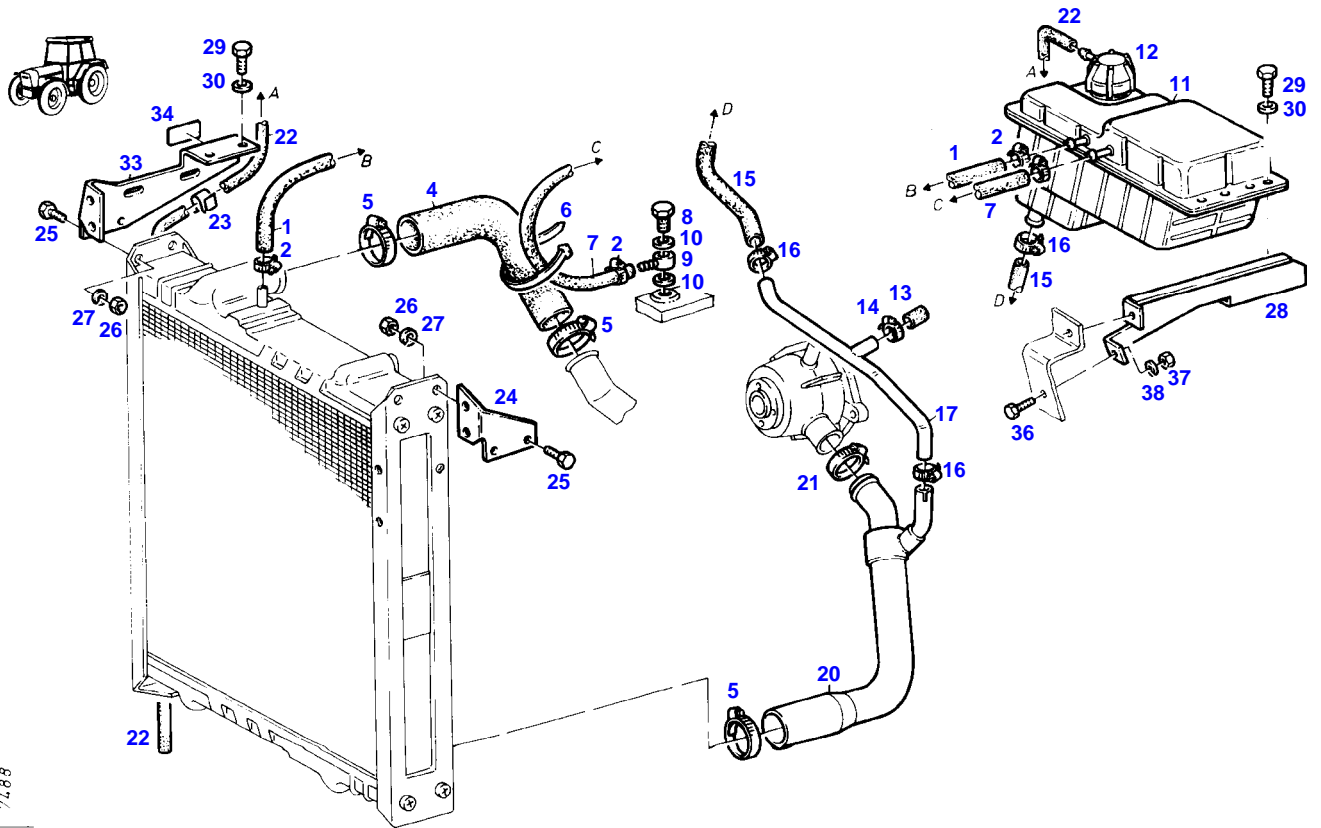


TABLE OF CONTENT

Page Number	Page Title	Page Reference
01-000-TOC	ENGINE, FUEL AND EXHAUST SYSTEM	01-000-TOC
02-000-TOC	AXLES	02-000-TOC
03-000-TOC	STEERING SYSTEM	03-000-TOC
04-000-TOC	DRIVE TRAIN SYSTEM	04-000-TOC
05-000-TOC	COMPRESSED AIR SYSTEM	05-000-TOC
06-000-TOC	HYDRAULIC SYSTEM	06-000-TOC
07-000-TOC	ELECTRICAL SYSTEM	07-000-TOC
08-000-TOC	CAB	08-000-TOC
09-000-TOC	AIR CONDITIONING AND HEATING SYSTEM	09-000-TOC
10-000-TOC	CHASSIS	10-000-TOC
11-000-TOC	WHEELS	11-000-TOC
12-000-TOC	IMPLEMENT LIFT SYSTEM FRONT	12-000-TOC
13-000-TOC	IMPLEMENT LIFT SYSTEM REAR	13-000-TOC
14-000-TOC	FRONT/REAR LOADERS	14-000-TOC
15-000-TOC	ATTACHMENTS	15-000-TOC
16-000-TOC	ACCESSORIES	16-000-TOC

FARMER 305 (162/20001-99999)
7488



7488

Item	Part Number	Qty	Description Comments	Technical Specification
1	72622024	1	PRESSURE HOSE 190 MM CUT TO LENGTH	L=0,50M 8X3,5-FWN65911
2	72438345	4	HOSE CLIP	
4	72395457	1	RUBBER ARCH	
5	72311170	3	HOSE CLIP	
6	72316915	1	CABLE STRAP	FWN 66650 B290X4,8-SW
7	72450289	1	PRESSURE HOSE 510 MM CUT TO LENGTH	L=550 FWN 66041-M4
8	72315806	1	BANJO BOLT	DIN 7643-6-3-A3L
9	72377528	1	RING HOSE NIPPLE	FWN65910-A-DN4
10	72315088	2	SEALING WASHER	DIN 7603 A10X13,5-CU
11	72316897	1	EXPANSION TANK	
12	72310924	1	COLLER LOCKING	
13	72404925	1	CAP	
14	72311166	1	HOSE CLIP	
15	72435869	1	RUBBER ARCH	
16	72311166	3	HOSE CLIP	
17	72357764	1	PIPE	
20	72395458	1	COOLANT LINE	
21	72311162	1	HOSE CLIP	
22	72442422	1	HOSE 1000 MM CUT TO LENGTH	L=1500MM
23	72312049	3	HOSE RETAINER	
24	72397308	1	RETAINER	
25	72315642	2	HEXAGONAL HEAD BOLT	DIN 933 M8 X 16-8.8A3L
26	72313268	6	NUT	DIN 934 M8-8A3L
27	72315053	6	SPLIT WASHER	FWN 65208-8-A3L
28	72397312	1	BRACKET	
29	72315821	4	SCREW	DIN7976-ST6,3X19-C-A3L
30	72311822	6	DISC	DIN9021-6,4-140HV-A3L
33	72395461	1	RETAINER	
34	72397318	1	MARKING PLATE	
36	72315629	1	HEXAGONAL HEAD BOLT	DIN 933 M6 X 12-8.8A3L
37	72313266	1	NUT	DIN 934 M6-8A3L
38	72315052	1	SPLIT WASHER	FWN 65208-6-A3L

<https://www.ebooklibonline.com>

Hello dear friend!

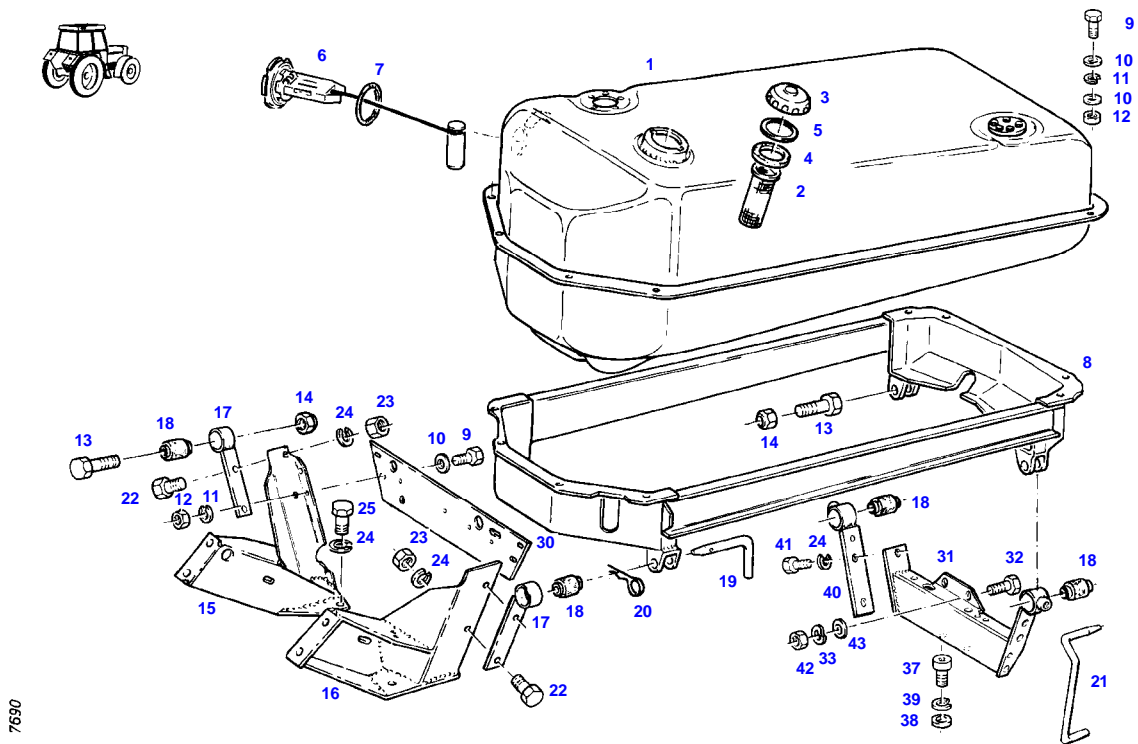
Thank you very much for reading.

Enter the link into your browser.

The full manual is available for immediate download.

<https://www.ebooklibonline.com>

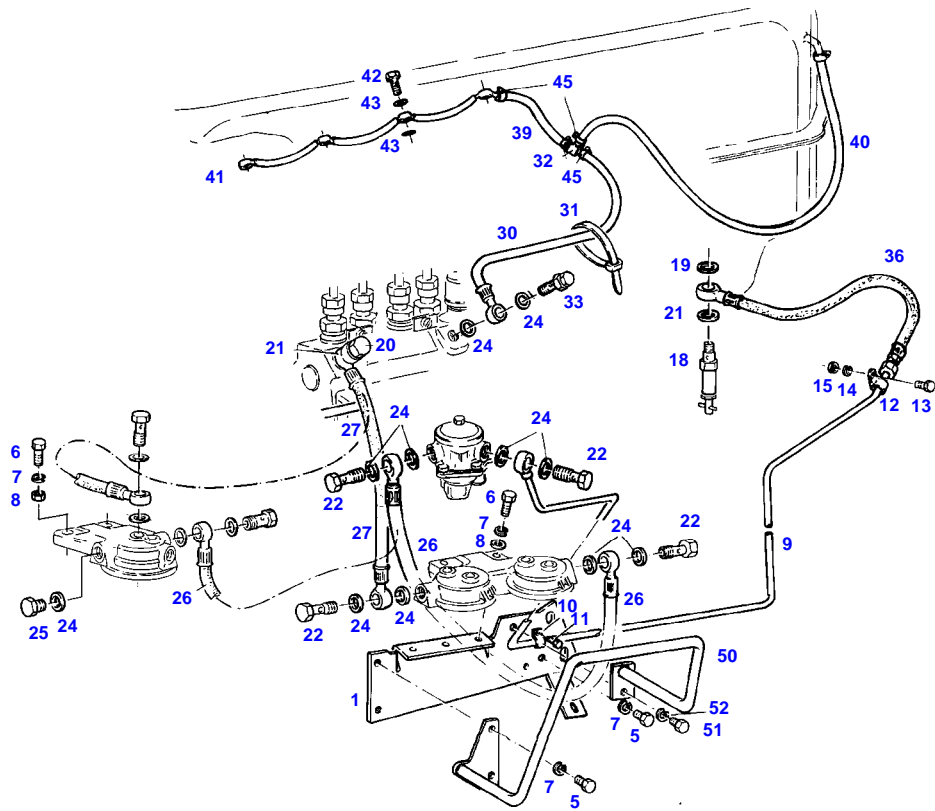
FARMER 305 (162/20001-99999)
7690



7690

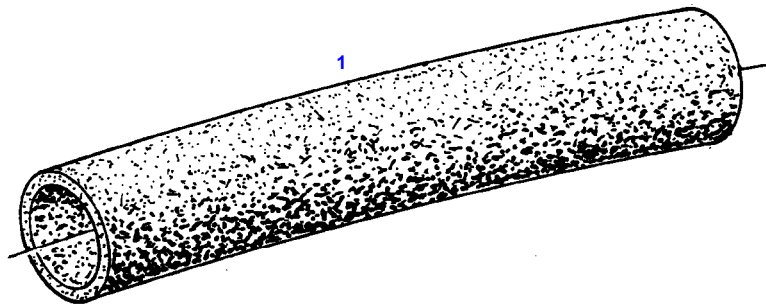
Item	Part Number	Qty	Description Comments	Technical Specification
1	72349985	1	FUEL TANK	
2	72433112	1	STRAINER	60X100-MS
3	72380143	1	FUEL CAP KOEHLER	M.BELUEF
	72348297	1	FUEL CAP LOCKABLE BLAU	
			><4	
4	72330725	1	SEAL BLAU	
	72312304	1	RUBBER SEAL KOEHLER	
5	72330726	1	SEAL	
6	72348556	1	FUEL LEVEL SENSOR	
			><7	
			<-- G148.200.060.011	
7	72315169	1	SEALING WASHER	
8	72357106	1	TANK FRAME	
9	72315626	12	HEXAGONAL HEAD BOLT	DIN 933-M6 X 16-8.8-A3L
10	72311822	20	DISC	DIN9021-6,4-140HV-A3L
11	72315052	13	SPLIT WASHER	FWN 65208-6-A3L
12	72313266	13	NUT	DIN 934 M6-8A3L
13	72315719	2	HEXAGONAL HEAD BOLT	DIN 933 M12X60-8.8A3L
14	72313325	2	NUT	DIN 980-VM12-8-A3L
15	72356748	1	BRACKET	
16	72356749	1	BRACKET	
17	72356758	2	SUPPORT ARM	
18	72310644	4	RUBBER BUSHING	
19	72407288	2	BEARING PIN	
20	72311183	2	HAIR COTTER PIN	DIN 11024-4-A3L
21	72393681	1	BEARING PIN	
22	72315657	4	HEXAGONAL HEAD BOLT	DIN 933 M8 X 30-8.8A3L
23	72313268	4	NUT	DIN 934 M8-8A3L
24	72315053	12	SPLIT WASHER	FWN 65208-8-A3L
25	72315642	6	HEXAGONAL HEAD BOLT	DIN 933 M8 X 16-8.8A3L
30	72397321	1	SHEET METAL	
31	72357771	1	CROSSMEMBER	
32	72315689	2	HEXAGONAL HEAD BOLT	DIN 933 M10X35-8.8A3L
33	72317122	2	SPRING WASHER	DIN 137 B10-MECH.VZK
37	72374066	2	SOCKET HEAD BOLT	DIN 912 M12X20-8.8
38	72311804	2	DISC	DIN 433-13-ST.A3L
39	72315055	2	SPLIT WASHER	FWN 65208-12-A3L
40	72357768	1	SUPPORT ARM	
41	72315653	2	HEXAGONAL HEAD BOLT	DIN 933 M8 X 25-8.8A3L
42	72313272	2	NUT	DIN 934 M10-8A3L
43	72311789	2	DISC	DIN 125-10,5-ST.A3L

FARMER 305 (162/20001-99999)
7689



7689

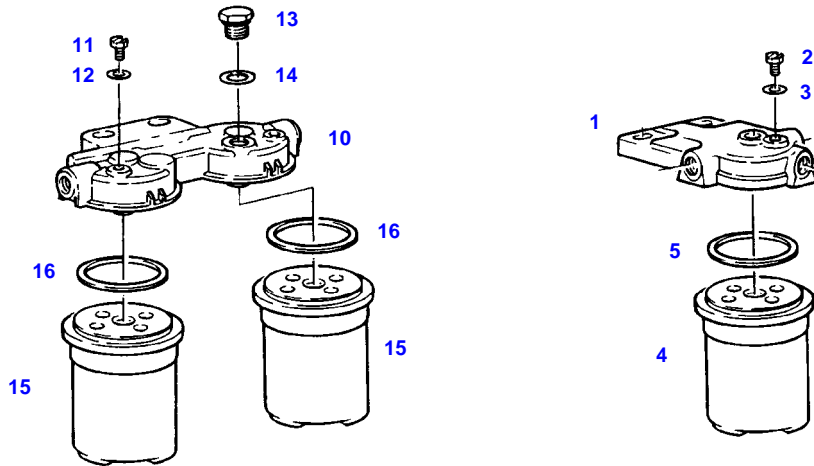
Item	Part Number	Qty	Description Comments	Technical Specification
1	72357112	1	FILTER RETAINER <>	
	72310699	1	BUSH	
	72374969	1	SCREW	DIN7976-ST4,8X19-C-A3L
5	72315642	3	HEXAGONAL HEAD BOLT	DIN 933 M8 X 16-8.8A3L
6	72315657	2	HEXAGONAL HEAD BOLT	DIN 933 M8 X 30-8.8A3L
7	72315053	5	SPLIT WASHER	FWN 65208-8-A3L
8	72311824	2	DISC	DIN9021-8,4-140HV-A3L
9	72356707	1	TUBING	
10	72311241	1	PIPE CLAMP	
11	72315819	1	SCREW	DIN7976-ST4,8X13-C-A3L
	72311785	1	DISC	DIN 125-5,3-ST.A3L
12	72311241	1	PIPE CLAMP	
13	72315626	1	HEXAGONAL HEAD BOLT	DIN 933-M6 X 16-8.8-A3L
14	72315052	1	SPLIT WASHER	FWN 65208-6-A3L
15	72313266	1	NUT	DIN 934 M6-8A3L
18	72380159	1	FUEL SHUT-OFF VALVE	
19	72315093	1	SEALING WASHER	DIN 7603 A12X18-CU
20	72310187	1	DOUBLE BOLT	
21	72315095	2	SEALING WASHER	DIN 7603 A14X20-CU
22	72315808	4	BANJO BOLT	DIN 7643-10-3-A3L
24	72315095	14	SEALING WASHER	DIN 7603 A14X20-CU
25	72315799	2	PLUG	DIN 7604 AM14X1,5-A3L
26	72356760	1	FUEL LINE	
27	72356760	1	FUEL LINE	
30	72356761	1	FUEL LINE	
31	72316916	2	CABLE STRAP	FWN 66650 B175X4-SW
32	72380023	1	TEE FITTING	
33	72380268	1	BLEED AND DRAIN VALVE	
36	72356762	1	FUEL LINE	
39	72450301	1	PRESSURE HOSE 260 MM CUT TO LENGTH	L=1000
40	72450301	1	PRESSURE HOSE 750 MM CUT TO LENGTH	L=1000
41	72332525	1	LEAKAGE OIL LINE	
42	72342985	4	SCREW	
43	72315084	8	SEALING WASHER	DIN 7603 A6X10-CU
45	72438345	4	HOSE CLIP	
	72438345	1	HOSE CLIP	
50	72357121	1	PROTECTION BAR	
51	72315642	1	HEXAGONAL HEAD BOLT	DIN 933 M8 X 16-8.8A3L
52	72315053	1	SPLIT WASHER	FWN 65208-8-A3L



8555

Item	Part Number	Qty	Description Comments	Technical Specification
			RAPE SEED OIL METHYLATED ESTER	
1	72436293	1	HEAT SHRINK TUBING 1X 2500 MM CUT TO LENGTH	L=2600
	72436294	X	HEAT SHRINK TUBING 1X 3000 MM CUT TO LENGTH	L=3100
	72436295	1	HEAT SHRINK TUBING 1X 2000 MM CUT TO LENGTH	L=2100

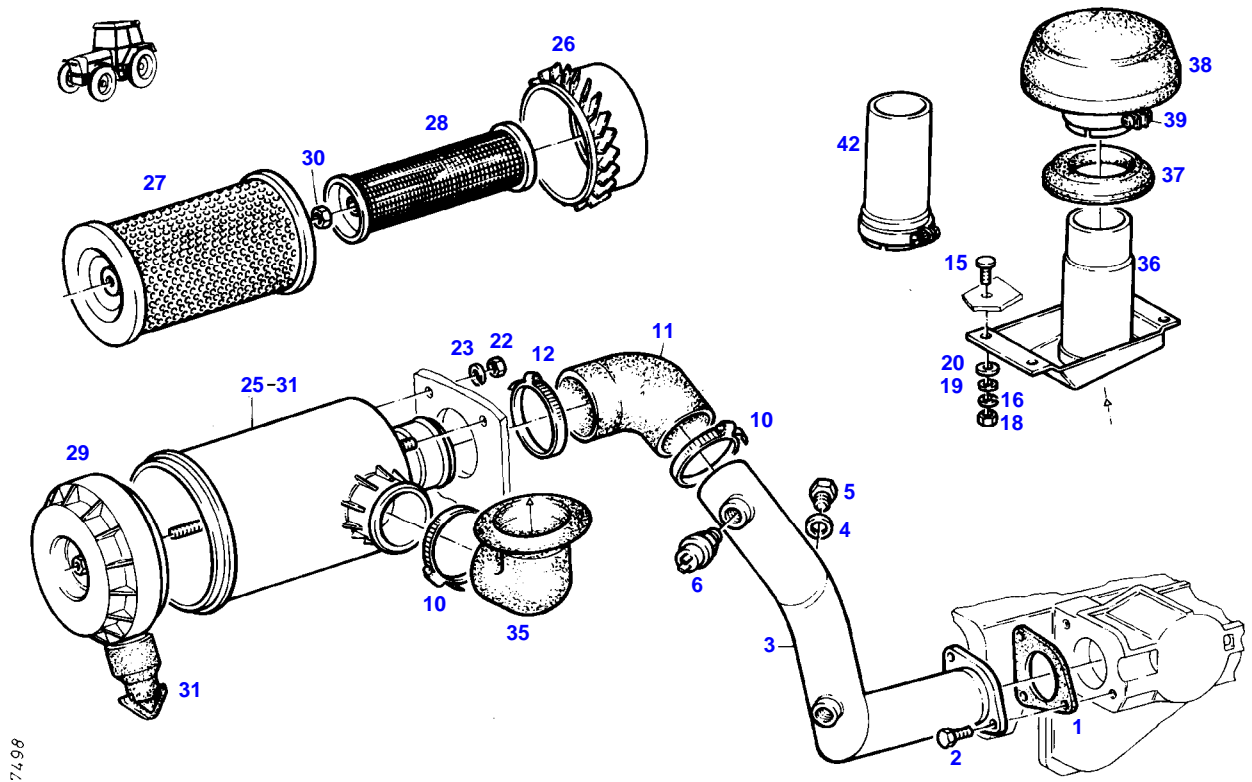
FARMER 305 (162/20001-99999)
4952



4952

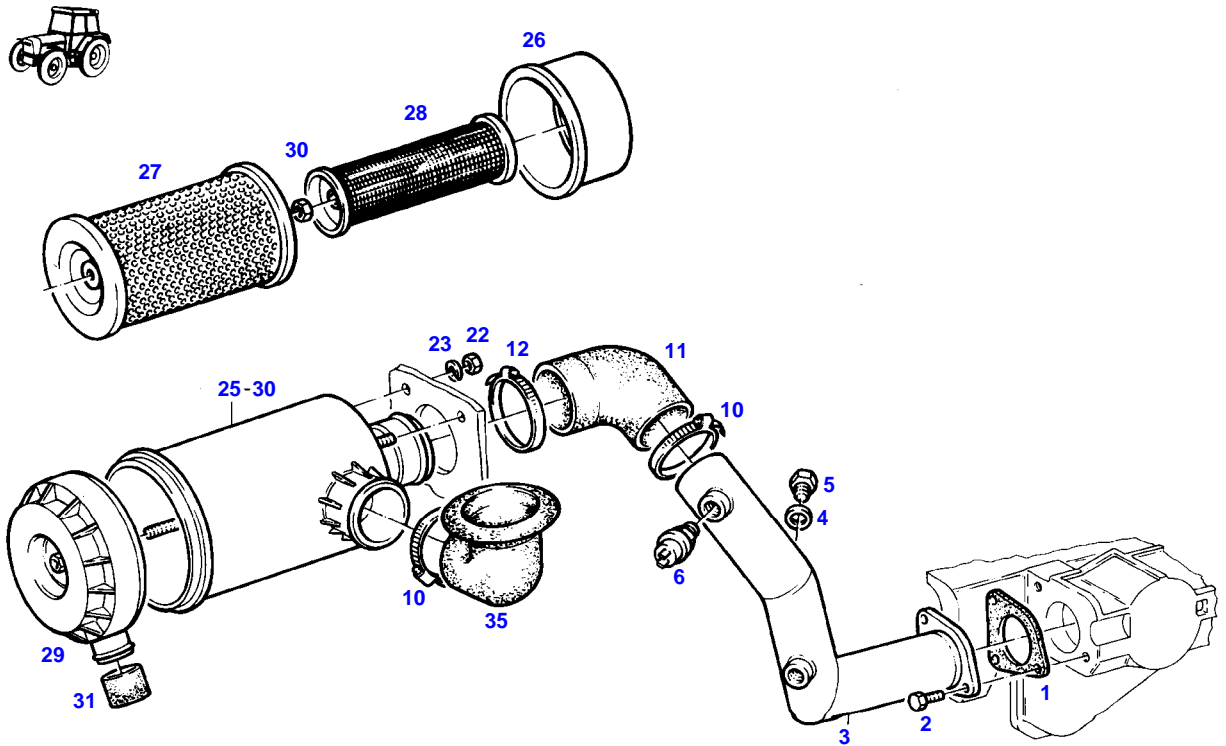
Item	Part Number	Qty	Description Comments	Technical Specification
1	72615599	1	FILTER LID ><2,3	
2	72323290	1	BLEED SCREW	
3	72315084	1	SEALING WASHER	DIN 7603 A6X10-CU
4	72416928	1	FILTER BOX ><5	
5	72314995	1	RUBBER RING PARALLEL-FILTER	
10	72380173	1	PARALLEL FILTER BOSCH ><11-16 <-- X810.190.166.000 1X <>	
	72416928	2	FILTER BOX	
	72451307	1	COVER KNECHT ><11,12 <>	PARALLELFILT.
	72416928	2	FILTER BOX	
11	72323290	2	BLEED SCREW BOSCH	
	72314699	2	BLEED SCREW KNECHT	
12	72315084	2	SEALING WASHER BOSCH	DIN 7603 A6X10-CU
	72315086	2	SEALING WASHER KNECHT	DIN 7603 A8X11,5-CU
13	72326250	1	SCREW BOSCH	
14	72315095	1	SEALING WASHER BOSCH	DIN 7603 A14X20-CU
15	72416928	2	FILTER BOX ><16	
16	72314995	2	RUBBER RING	

FARMER 305 (162/20001-99999)
7498



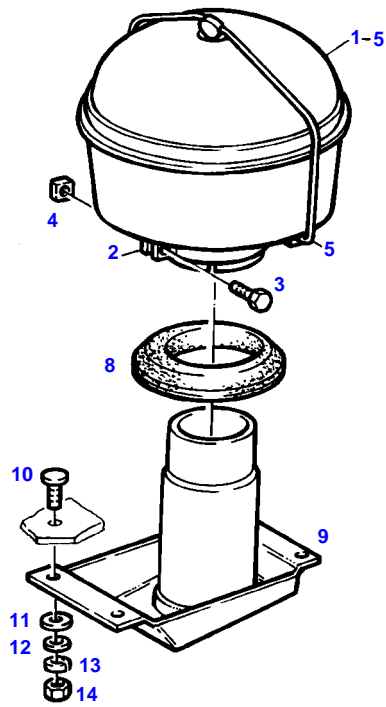
Item	Part Number	Qty	Description Comments	Technical Specification
PICLON				
1	72397328	1	SEAL	
2	72315651	3	HEXAGONAL HEAD BOLT	DIN 933 M8X22-8.8A3L
3	72355409	1	INTAKE MANIFOLD	
4	72315101	1	SEALING WASHER	DIN 7603 A22X27-CU
5	72315802	1	SCREW	DIN 7604 AM22X1,5-ST
6	72316876	1	MAINTENANCE SWITCH	
10	72311171	2	HOSE CLIP	
11	72397327	1	RUBBER ARCH	
12	72311172	1	HOSE CLIP	
15	72373809	4	TRUSS HEAD SCREW	DIN 603 M6X20-A3L
16	72315052	4	SPLIT WASHER	FWN 65208-6-A3L
18	72313266	4	NUT	DIN 934 M6-8A3L
19	72311787	4	DISC	DIN 125-6,4-ST.A3L
20	72311788	4	DISC	DIN 125-8,4-ST.A3L
22	72313268	4	NUT	DIN 934 M8-8A3L
23	72315053	4	SPLIT WASHER	FWN 65208-8-A3L
25	72348192	1	AIR FILTER ><26-31	
26	72329111	1	DIFFUSER	
27	72329734	1	MICRO-TOP CARTRIDGE	
28	72329735	1	SAFETY CARTRIDGE	
29	72329736	1	FLOOR	
30	72372827	1	NUT	DIN 934 M16X1,5-10A3L
31	72326122	1	DUST DISCHARGE VALVE	
35	72397326	1	BELLOWS	
36	72357774	1	AIR INTAKE	
37	72397329	1	SEALING RING	
38	72348784	1	RAIN CAP ><39	
39	72333025	1	PIPE CLAMP	
42	72348666	1	CONNECTING PIPE	

FARMER 305 (162/20001-99999)
7499



6674

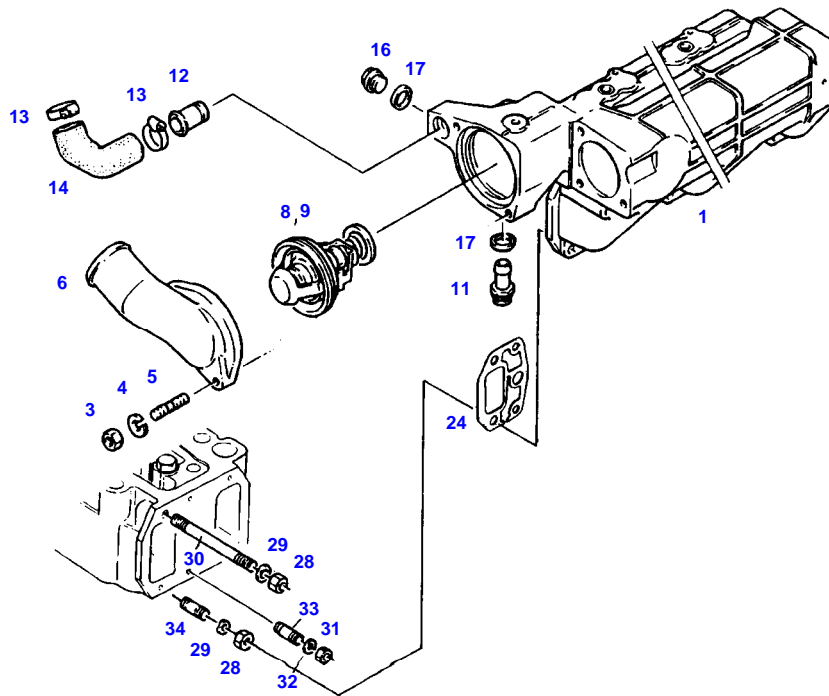
Item	Part Number	Qty	Description Comments	Technical Specification
			PICO	
1	72397328	1	SEAL	
2	72315651	3	HEXAGONAL HEAD BOLT	DIN 933 M8X22-8.8A3L
3	72355409	1	INTAKE MANIFOLD	
4	72315101	1	SEALING WASHER	DIN 7603 A22X27-CU
5	72315802	1	SCREW	DIN 7604 AM22X1,5-ST
6	72316876	1	MAINTENANCE SWITCH	
10	72311171	2	HOSE CLIP	
11	72397327	1	RUBBER ARCH	
12	72311172	1	HOSE CLIP	
22	72313268	4	NUT	DIN 934 M8-8A3L
23	72315053	4	SPLIT WASHER	FWN 65208-8-A3L
25	72348193	1	AIR FILTER ><26-30	
26	72329412	1	GUIDE RING	
27	72329734	1	MICRO-TOP CARTRIDGE	
28	72329735	1	SAFETY CARTRIDGE	
29	72329411	1	FLOOR	
30	72372827	1	NUT	DIN 934 M16X1,5-10A3L
31	72392801	1	CAP	
35	72397326	1	BELLOWS	



7497

Item	Part Number	Qty	Description Comments	Technical Specification
			PICO	
1	72348194	1	CYCLONE AIR CLEANER ><1-5	
	72329416	1	DUST CUP	
2	72329414	1	PIPE CLAMP	
3	72329413	1	HEXAGONAL HEAD BOLT	
4	72372783	1	SQUARE NUT	DIN 557 M6-5 A3L
5	72329415	1	HOLDER	
8	72397329	1	SEALING RING	
9	72357774	1	AIR INTAKE	
10	72373809	4	TRUSS HEAD SCREW	DIN 603 M6X20-A3L
11	72311788	4	DISC	DIN 125-8,4-ST.A3L
12	72311787	4	DISC	DIN 125-6,4-ST.A3L
13	72315052	4	SPLIT WASHER	FWN 65208-6-A3L
14	72313266	4	NUT	DIN 934 M6-8A3L

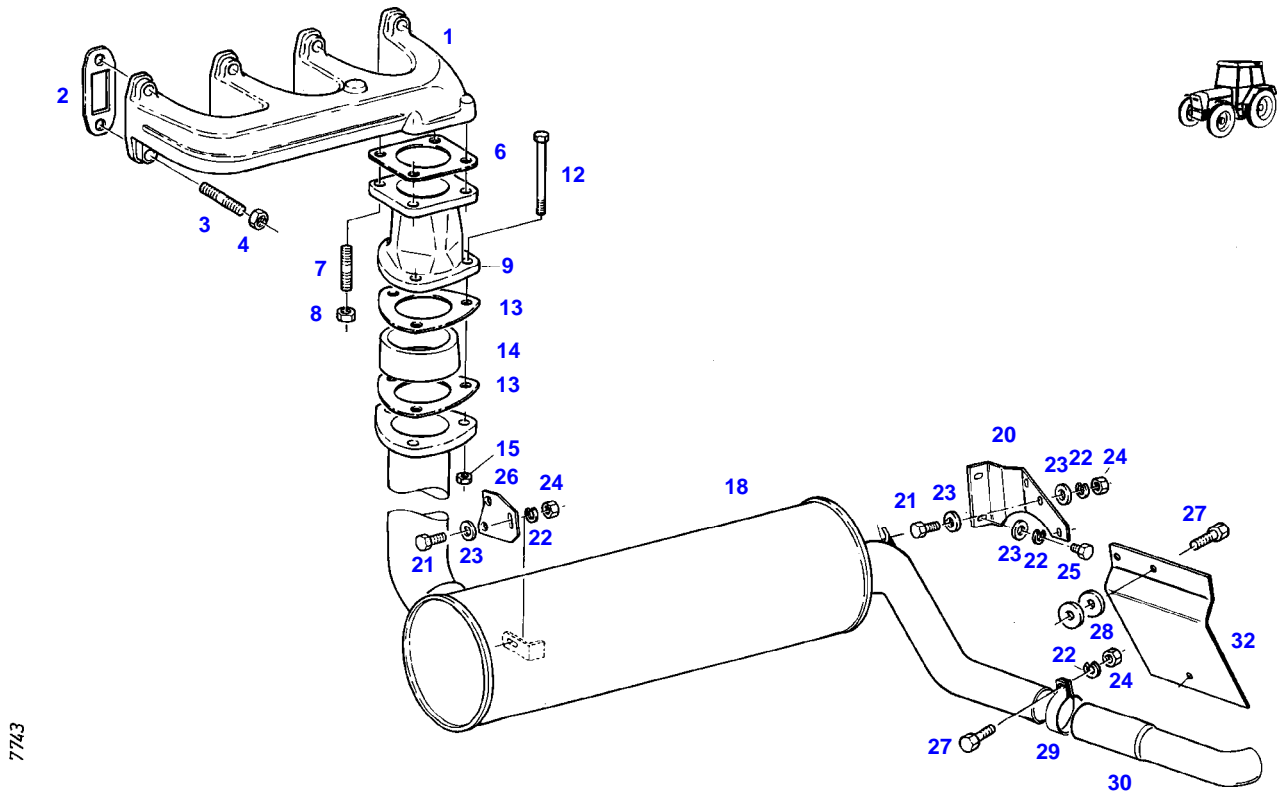
FARMER 305 (162/20001-99999)
7742



7742

Item	Part Number	Qty	Description Comments	Technical Specification
1	72329116	1	INTAKE MANIFOLD	
3	72372805	2	NUT	DIN 934 M8-10 C2A
4	72315053	2	SPLIT WASHER	FWN 65208-8-A3L
5	72373904	2	STUD BOLT	DIN 835-M8X30-8.8
6	72397293	1	COVER	
8	72348782	1	THERMOSTAT ><9	
	72333024	1	THERMOSTAT 85 C SCANDINAVIA	
9	72397296	1	BRUSH SEALING	
11	72396595	1	HOSE BARB	
12	72411402	1	HOSE BARB <>	
	72315101	1	SEALING WASHER	DIN 7603 A22X27-CU
13	72311168	2	HOSE CLIP	
14	72395453	1	RUBBER ARCH	
16	72315802	1	SCREW	DIN 7604 AM22X1,5-ST
17	72315101	2	SEALING WASHER	DIN 7603 A22X27-CU
24	72397295	3	MOLDED SEAL	
28	72373015	6	NUT	DIN70615-M10-8-A3B
29	72315054	6	SPLIT WASHER	FWN 65208-10-A3L
30	72374658	3	STUD BOLT	DIN 939-M10X100-8.8
31	72313269	3	NUT	DIN 934 M8-8C2A
32	72315053	3	SPLIT WASHER	FWN 65208-8-A3L
33	72397298	3	STUD BOLT	
34	72374646	3	STUD BOLT	DIN 939 M10X30-8.8

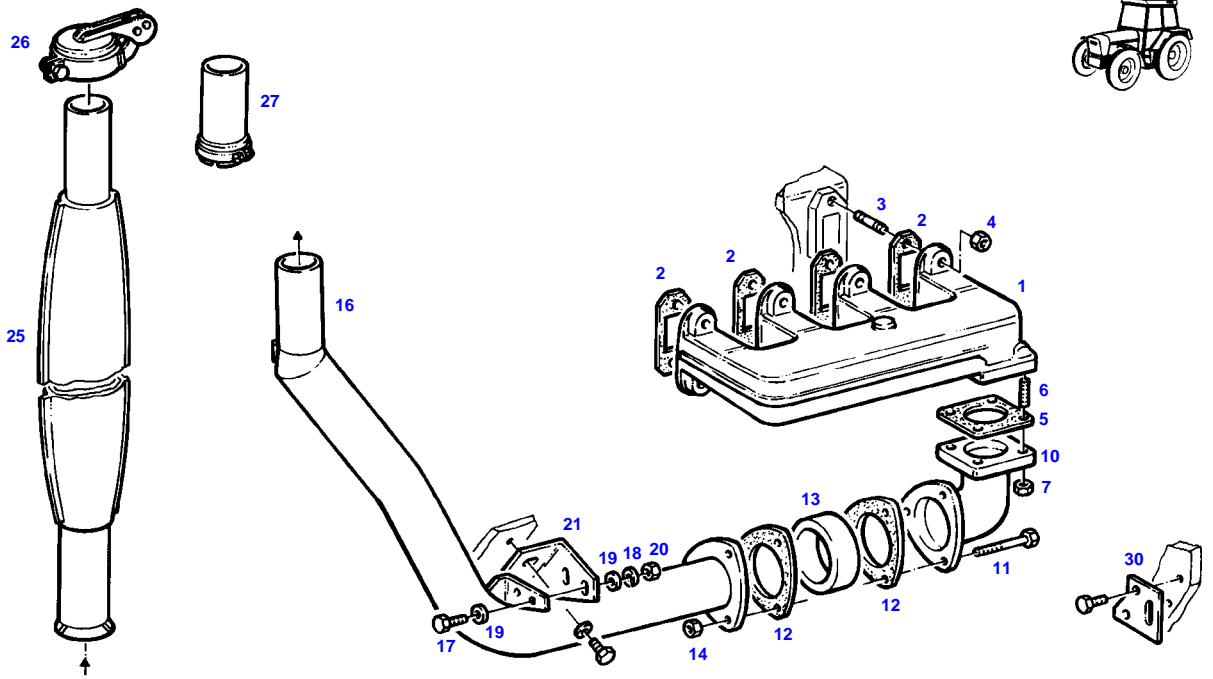
FARMER 305 (162/20001-99999)
7743



7743

Item	Part Number	Qty	Description Comments	Technical Specification
1	72392802	1	EXHAUST PIPE	
2	72332145	4	MOLDED SEAL	
3	72374647	8	STUD BOLT	DIN 939-M10X40-8.8
4	72373015	8	NUT	DIN70615-M10-8-A3B
6	72331323	1	SQUARE SEAL	
7	72374641	4	STUD BOLT	DIN 939 M10X20-8.8
8	72373015	4	NUT	DIN70615-M10-8-A3B
9	72407297	1	INTERMEDIATE PIECE	
12	72315534	3	HEXAGONAL HEAD BOLT	DIN 931 M8 X 70-8.8
13	72407298	2	MOLDED SEAL	
14	72395941	1	INTERMEDIATE PIECE	
15	72313269	3	NUT	DIN 934 M8-8C2A
18	72355410	1	EXHAUST MUFFLER	
20	72395463	1	RETAINING BRACKET	
21	72315646	3	HEXAGONAL HEAD BOLT	DIN 933 M8X18-8.8A3L
22	72315053	6	SPLIT WASHER	FWN 65208-8-A3L
23	72311788	8	DISC	DIN 125-8,4-ST.A3L
24	72313268	4	NUT	DIN 934 M8-8A3L
25	72315642	2	HEXAGONAL HEAD BOLT	DIN 933 M8 X 16-8.8A3L
26	72395934	1	RETAINING SHEET METAL	
27	72315657	3	HEXAGONAL HEAD BOLT	DIN 933 M8 X 30-8.8A3L
28	72311824	4	DISC	DIN9021-8,4-140HV-A3L
29	72392804	1	PIPE CLAMP	
30	72392803	1	EXHAUST TAILPIPE	
32	72395464	1	DEFLECTOR	

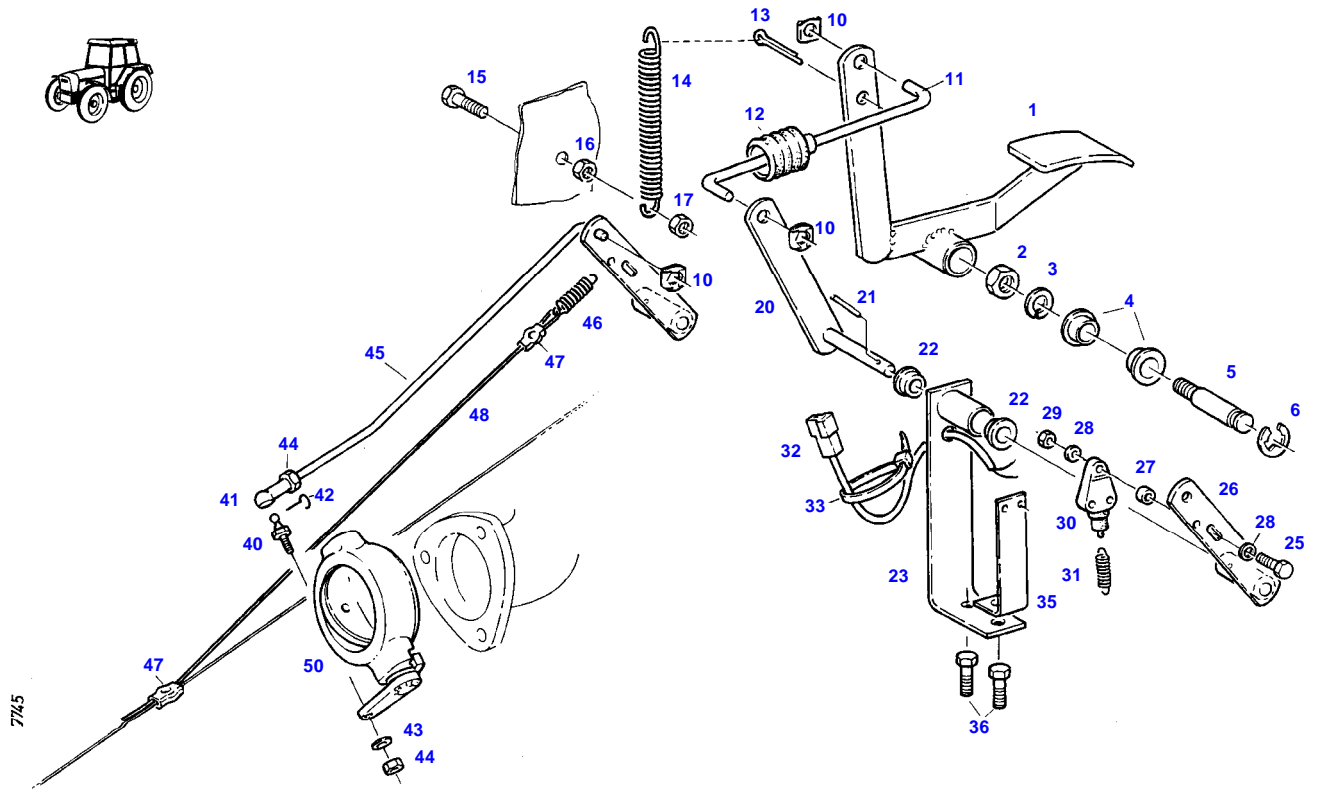
FARMER 305 (162/20001-99999)
7476



Item	Part Number	Qty	Description Comments	Technical Specification
1	72392802	1	EXHAUST PIPE	
2	72332145	4	MOLDED SEAL	
3	72374647	8	STUD BOLT	DIN 939-M10X40-8.8
4	72373015	8	NUT	DIN70615-M10-8-A3B
5	72331323	1	SQUARE SEAL	
6	72374641	4	STUD BOLT	DIN 939 M10X20-8.8
7	72373015	4	NUT	DIN70615-M10-8-A3B
10	72392805	1	MANIFOLD	
11	72315671	3	HEXAGONAL HEAD BOLT	DIN 933 M8X65-8.8A3L
12	72407298	2	MOLDED SEAL	
13	72395941	1	INTERMEDIATE PIECE	
14	72313269	3	NUT	DIN 934 M8-8C2A
16	72355412	1	PIPE	
17	72315650	2	HEXAGONAL HEAD BOLT	DIN 933 M8 X 20-8.8A3L
18	72315053	2	SPLIT WASHER	FWN 65208-8-A3L
19	72311788	4	DISC	DIN 125-8,4-ST.A3L
20	72313268	2	NUT	DIN 934 M8-8A3L
21	72392806	1	ANGLE	
25	72355738	1	EXHAUST MUFFLER	
	72355754	1	SPARK ARRESTER AUS-AUSTRALIEN	
26	72347590	1	EXHAUST WEATHER CAP	
27	72383243	1	EXHAUST EXTENSION ><26	
30	72395934	1	RETAINING SHEET METAL	

Item	Part Number	Qty	Description Comments	Technical Specification
EXHAUST TO BOTTOM				
1	72356732	1	FOOT LEVER	
2	72313272	1	NUT	DIN 934 M10-8A3L
3	72315054	1	SPLIT WASHER	FWN 65208-10-A3L
4	72310596	2	BUSH	
5	72394196	1	CARRIER	
6	72317146	1	LOCK WASHER	DIN6799-12-A3L
10	72311180	2	DUO-CLIP	8 SXN10
11	72395433	1	ROD	
12	72377280	1	BELLOWS	
13	72313879	1	COTTER	DIN 94-5X20-ST.A3L
14	72394186	1	PULLING SPRING	
15	72315630	1	HEXAGONAL HEAD BOLT	DIN 933 M6X18-8.8A3L
16	72313266	1	NUT	DIN 934 M6-8A3L
17	72313318	1	NUT	DIN6925-M6-8-A3L
20	72356729	1	LEVER	
21	72375133	1	TENSIONING PIN	ISO8752-4X24-A-ST-OB3
22	72393653	2	BUSH	
23	72356731	1	CARRIER	
25	72315617	1	HEXAGONAL HEAD BOLT	DIN 933 M4X30-8.8A3L
26	72356730	1	LEVER	
27	72310699	1	BUSH	
28	72311817	3	DISC	DIN9021-4,3-140HV-A3L
29	72313263	1	NUT	DIN 934 M4-8A3L
30	72380934	1	STOP LIGHT SWITCH	
31	72380433	1	PULLING SPRING	
32	72356753	1	CABLE KIT	
33	72316916	3	CABLE STRAP	FWN 66650 B175X4-SW
35	72395435	1	ANGLE	
36	72315655	2	HEXAGONAL HEAD BOLT	DIN 933 M8X30-8.8
40	72313853	2	BALL PIN	DIN 71803-C13-ST-A3L
41	72316304	2	BALL SOCKET	DIN 71805 B13-A3L
42	72317190	2	SECURING CLIP	DIN71805 S13-A3L
43	72317121	2	SPRING WASHER	DIN 137 B8-MECH.VZK
44	72313268	4	NUT	DIN 934 M8-8A3L
45	72392807	1	ROD	
46	72316492	1	PULLING SPRING	
47	72333529	2	CABLE CLAMP	
48	72450805	1	ROPE 1X 460 MM CUT TO LENGTH	L=1000 DIN 3055-2-FE-ZNK 15
50	72315323	1	CABLE SHEAVE	
51	72356733	1	BEARING PIN	
52	72313796	1	TENSIONING PIN	ISO8752-3X18-A-ST-OB3 FWN10256
55	72348195	1	ENGINE BRAKE	

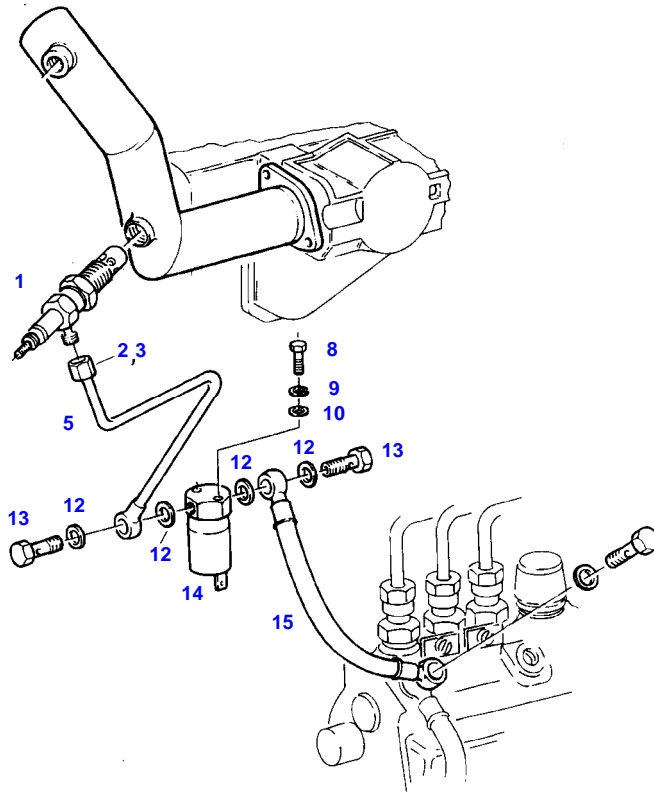
FARMER 305 (162/20001-99999)
7745



7745

Item	Part Number	Qty	Description Comments	Technical Specification
EXHAUST UPRIGHT				
1	72356732	1	FOOT LEVER	
2	72313272	1	NUT	DIN 934 M10-8A3L
3	72315054	1	SPLIT WASHER	FWN 65208-10-A3L
4	72310596	2	BUSH	
5	72394196	1	CARRIER	
6	72317146	1	LOCK WASHER	DIN6799-12-A3L
10	72311180	3	DUO-CLIP	8 SXN10
11	72395433	1	ROD	
12	72377280	1	BELLOWS	
13	72313879	1	COTTER	DIN 94-5X20-ST.A3L
14	72394186	1	PULLING SPRING	
15	72315630	1	HEXAGONAL HEAD BOLT	DIN 933 M6X18-8.8A3L
16	72313266	1	NUT	DIN 934 M6-8A3L
17	72313318	1	NUT	DIN6925-M6-8-A3L
20	72356729	1	LEVER	
21	72375133	1	TENSIONING PIN	ISO8752-4X24-A-ST-OB3
22	72393653	2	BUSH	
23	72356731	1	CARRIER	
25	72315617	1	HEXAGONAL HEAD BOLT	DIN 933 M4X30-8.8A3L
26	72356730	1	LEVER	
27	72310699	1	BUSH	
28	72311817	3	DISC	DIN9021-4,3-140HV-A3L
29	72313263	1	NUT	DIN 934 M4-8A3L
30	72380934	1	STOP LIGHT SWITCH	
31	72380433	1	PULLING SPRING	
32	72356753	1	CABLE KIT	
33	72316916	3	CABLE STRAP	FWN 66650 B175X4-SW
35	72395435	1	ANGLE	
36	72315655	2	HEXAGONAL HEAD BOLT	DIN 933 M8X30-8.8
40	72313853	1	BALL PIN	DIN 71803-C13-ST-A3L
41	72316304	1	BALL SOCKET	DIN 71805 B13-A3L
42	72317190	1	SECURING CLIP	DIN71805 S13-A3L
43	72317121	1	SPRING WASHER	DIN 137 B8-MECH.VZK
44	72313268	2	NUT	DIN 934 M8-8A3L
45	72392808	1	ROD	
46	72316492	1	PULLING SPRING	
47	72333529	2	CABLE CLAMP	
48	72450805	1	ROPE 1X 500 MM CUT TO LENGTH	L=1000 DIN 3055-2-FE-ZNK 15
50	72348195	1	ENGINE BRAKE	

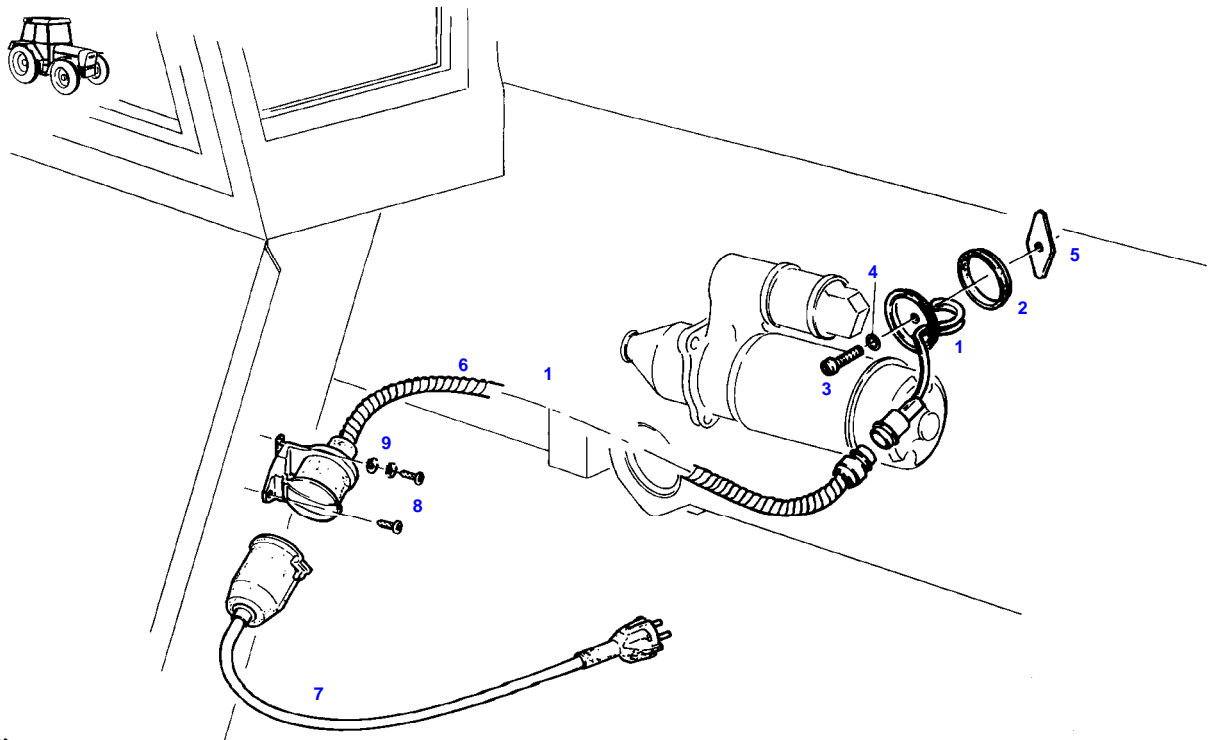
FARMER 305 (162/20001-99999)
7747



7747

Item	Part Number	Qty	Description Comments	Technical Specification
1	72433489	1	ROD FLAME GLOW PLUG	
2	72377312	1	DOUBLE V-RING	DIN 3862-6-9SMNPB28K+G
3	72378005	1	CONNECTING NUT	DIN 3870 ALL6-9S20K A3L
5	72355413	1	TUBING	
8	72315629	1	HEXAGONAL HEAD BOLT	DIN 933 M6 X 12-8.8A3L
9	72315052	1	SPLIT WASHER	FWN 65208-6-A3L
10	72311822	1	DISC	DIN9021-6,4-140HV-A3L
12	72315088	4	SEALING WASHER	DIN 7603 A10X13,5-CU
13	72315806	2	BANJO BOLT	DIN 7643-6-3-A3L
14	72317090	1	VALVE SOLENOID	
15	72357734	1	LINE	

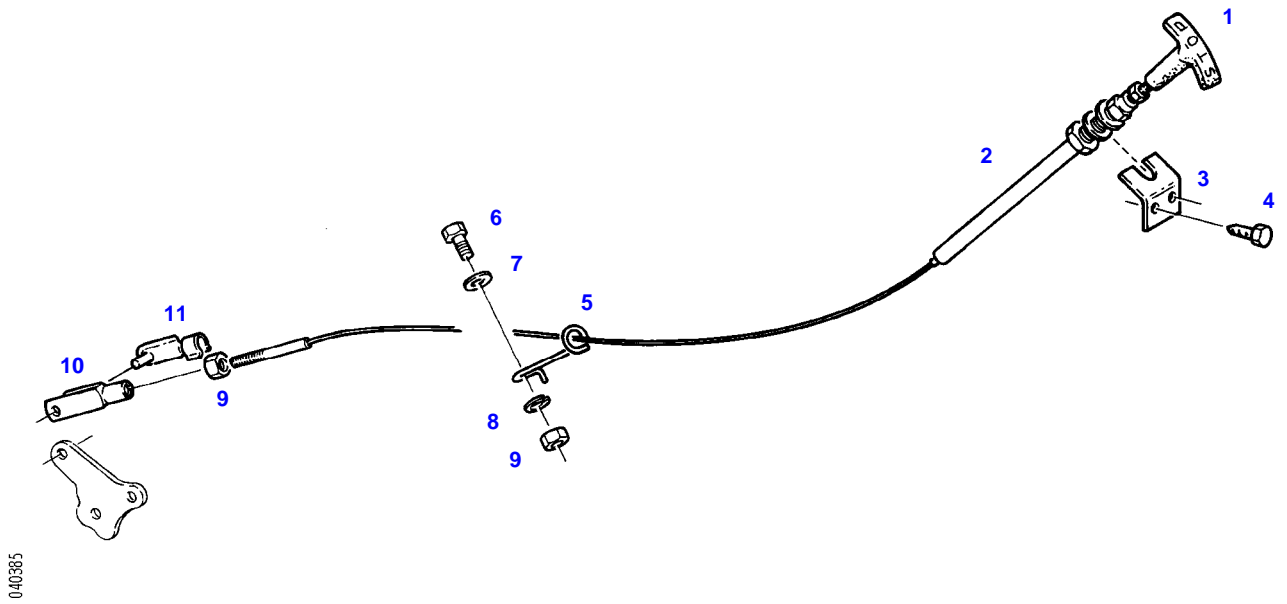
FARMER 305 (162/20001-99999)
4574



4574

Item	Part Number	Qty	Description Comments	Technical Specification
1	72385222	1	ENGINE PRE-HEATER ><1-9 <-- 0098.071.100	
	72365565	1	HEATER ELEMENT	
2	72332589	1	SEAL	
3	72332590	1	SCREW <>	
	72332592	1	O-RING	
	72315466	1	SOCKET HEAD BOLT <>	DIN 912 M6X30-8.8
	72311787	1	DISC	DIN 125-6,4-ST.A3L
	72376379	1	O-RING	5,3X2,4-FPM 80 FWN56402
	72311787	1	DISC	DIN 125-6,4-ST.A3L
4	72332592	1	O-RING	
	72376379	1	O-RING	5,3X2,4-FPM 80 FWN56402
5	72332591	1	COULTER CLAMP	
6	72310873	1	CABLE <-- H816.200.250.210 1X <>	
	72315615	2	HEXAGONAL HEAD BOLT	DIN 933 M4X16-8.8A3L
	72494152	1	POWER CABLE	
	72424447	1	MOUTING BRACKET	
7	72317178	1	POWER CABLE	
8	72315786	3	SCREW	DIN 7981 ST4,2X13-C-H-A3L
	72315408	3	FLAT HEAD CAPSCREW	DIN 85 M4X12-4.8A3L
9	72317126	4	SERRATED LOCK WASHER	DIN 6798 A5,3
	72313263	3	NUT	DIN 934 M4-8A3L
	72315050	3	SPLIT WASHER	FWN 65208-4-A3L
	72316916	4	CABLE STRAP NOT ILLUSTRATED	FWN 66650 B175X4-SW
	72317193	1	SECURING CLIP NOT ILLUSTRATED	

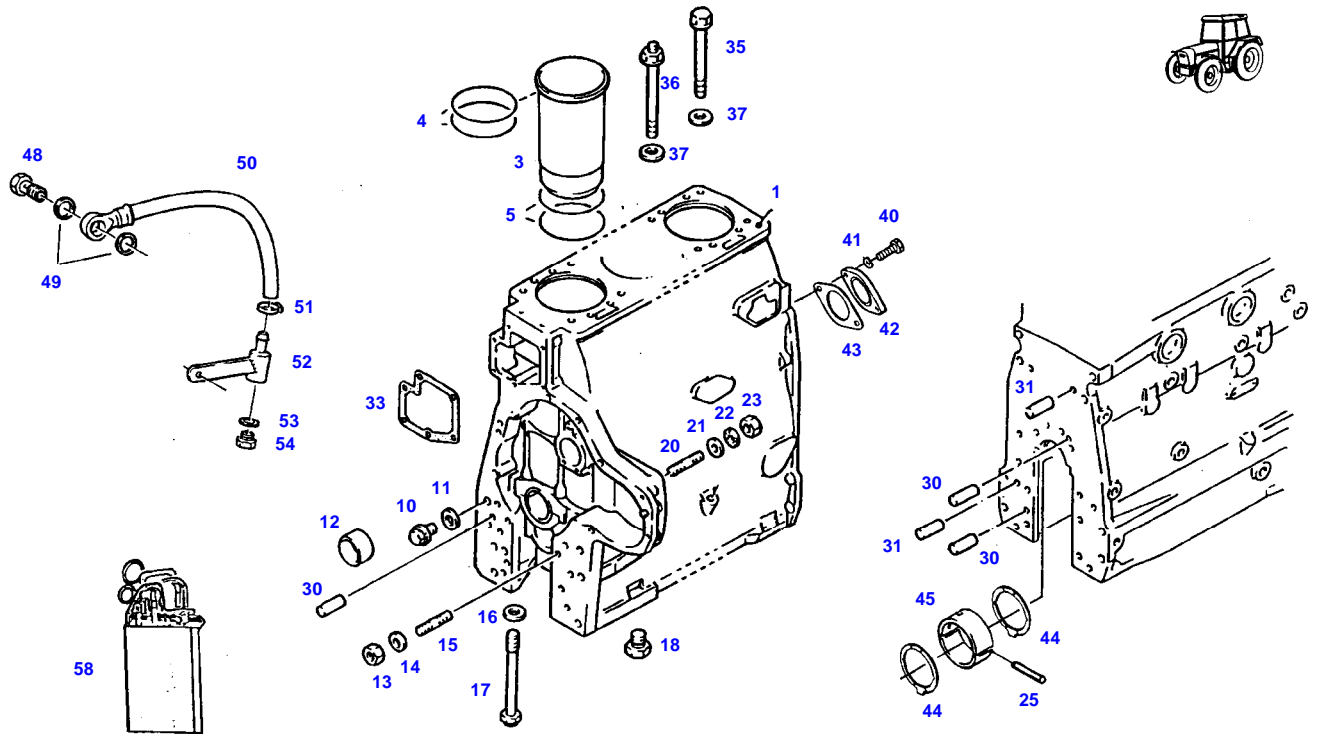
FARMER 305 (162/20001-99999)
40385



040385

Item	Part Number	Qty	Description Comments	Technical Specification
1	72329543	1	HANDLE	
2	72348665	1	STOP CABLE	
			><1	
			<>	
	72355009	1	CONTROL CABLE	
	72313264	1	NUT	DIN 934 M5-8A3L
	72396326	1	THREADED SOCKET	
3	72392845	1	RETAINER	
4	72315820	2	SCREW	DIN7976-ST6,3X13-C-A3L
5	72393651	1	REVERSING BOW	
6	72315626	1	HEXAGONAL HEAD BOLT	DIN 933-M6 X 16-8.8-A3L
7	72311822	1	DISC	DIN9021-6,4-140HV-A3L
8	72315052	1	SPLIT WASHER	FWN 65208-6-A3L
9	72313266	2	NUT	DIN 934 M6-8A3L
10	72311308	1	CLEVIS	DIN 71752 G6X24-A3L
11	72310448	1	BOLT	FWN 64072 6X24 A3L
	72392846	1	SLEEVE	
			FOR ENGLAND	
			NOT ILLUSTRATED	

FARMER 305 (162/20001-99999)
7748



7748



Suggest:

For more complete manuals. Please go to the home page.

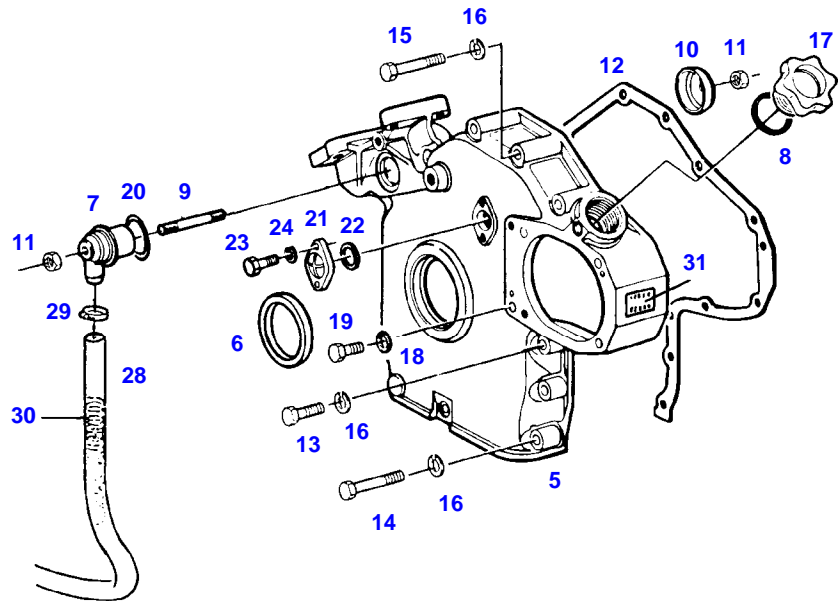
<https://www.ebooklibonline.com>

If the above button click is invalid. Please download this document first, and then click the above link to download the complete manual.

Thank you so much for reading

Item	Part Number	Qty	Description Comments	Technical Specification
	72317641	1	DIESEL ENGINE <-- Z162.205.010.020 ENGINE EXCHANGE	
1	72329117	1	CRANKCASE ><3-25	
3	72425044	4	CYLINDER LINER	
4	72329541	8	SEAL	
5	72343893	8	SEAL	
10	72315436	1	SCREW	DIN 908 M10X1-ST A3L
11	72315088	1	SEALING WASHER	DIN 7603 A10X13,5-CU
12	72329540	1	BUSH	
13	72340921	1	MIDGRIP NUT	
14	72340920	1	DISC	
15	72374623	1	STUD BOLT	DIN 939-M8X25-8.8
16	72324592	8	DISC	
17	72327081	8	HEXAGONAL HEAD BOLT	
18	72337035	1	HEXAGONAL HEAD BOLT	
20	72313777	4	STUD BOLT	DIN 939 M10X35-8.8
21	72311789	4	DISC	DIN 125-10,5-ST.A3L
22	72315054	4	SPLIT WASHER	FWN 65208-10-A3L
23	72372811	4	NUT	DIN 934 M10-10A3L
25	72375130	4	TENSIONING PIN	ISO8752-4X8-A-ST-ZNPH
30	72313859	4	CYLINDER PIN	DIN 7-8M6X18-ST50K
31	72375324	2	CYLINDER PIN	DIN 7-10M6X28-ST50K
33	72327043	1	MOLDED SEAL	
35	72333013	14	SOCKET HEAD BOLT	
36	72333014	2	HEXAGONAL HEAD BOLT	
37	72324592	16	DISC	
40	72315650	2	HEXAGONAL HEAD BOLT	DIN 933 M8 X 20-8.8A3L
41	72315053	2	SPLIT WASHER	FWN 65208-8-A3L
42	72343896	1	COVER	
43	72333001	1	SEAL	
44	72343910	2	THRUST RING 70,00 MM	
	72343911	2	THRUST RING 69,79 MM	
	72343912	2	THRUST RING 69,54 MM	
	72343913	2	THRUST RING 69,04 MM	
45	72341078	7	MAIN BEARING 70,00 MM	
	72341079	7	MAIN BEARING 69,79 MM	
	72341080	7	MAIN BEARING 69,54 MM	
	72341081	7	MAIN BEARING 69,29 MM	
	72341082	7	MAIN BEARING 69,04 MM	
48	72315808	1	BANJO BOLT	DIN 7643-10-3-A3L
49	72315094	2	SEALING WASHER	DIN 7603 A14X18-CU
50	72313976	1	COOLING WATER DRAIN LINE	
51	72438345	1	HOSE CLIP	
52	72355704	1	HOSE RETAINER	
53	72315088	1	SEALING WASHER	DIN 7603 A10X13,5-CU
54	72315436	1	SCREW	DIN 908 M10X1-ST A3L
58	72329410	1	SEAL KIT D 226 B-4	

FARMER 305 (162/20001-99999)
6346



6346

<https://www.ebooklibonline.com>

Hello dear friend!

Thank you very much for reading.

Enter the link into your browser.

The full manual is available for immediate download.

<https://www.ebooklibonline.com>