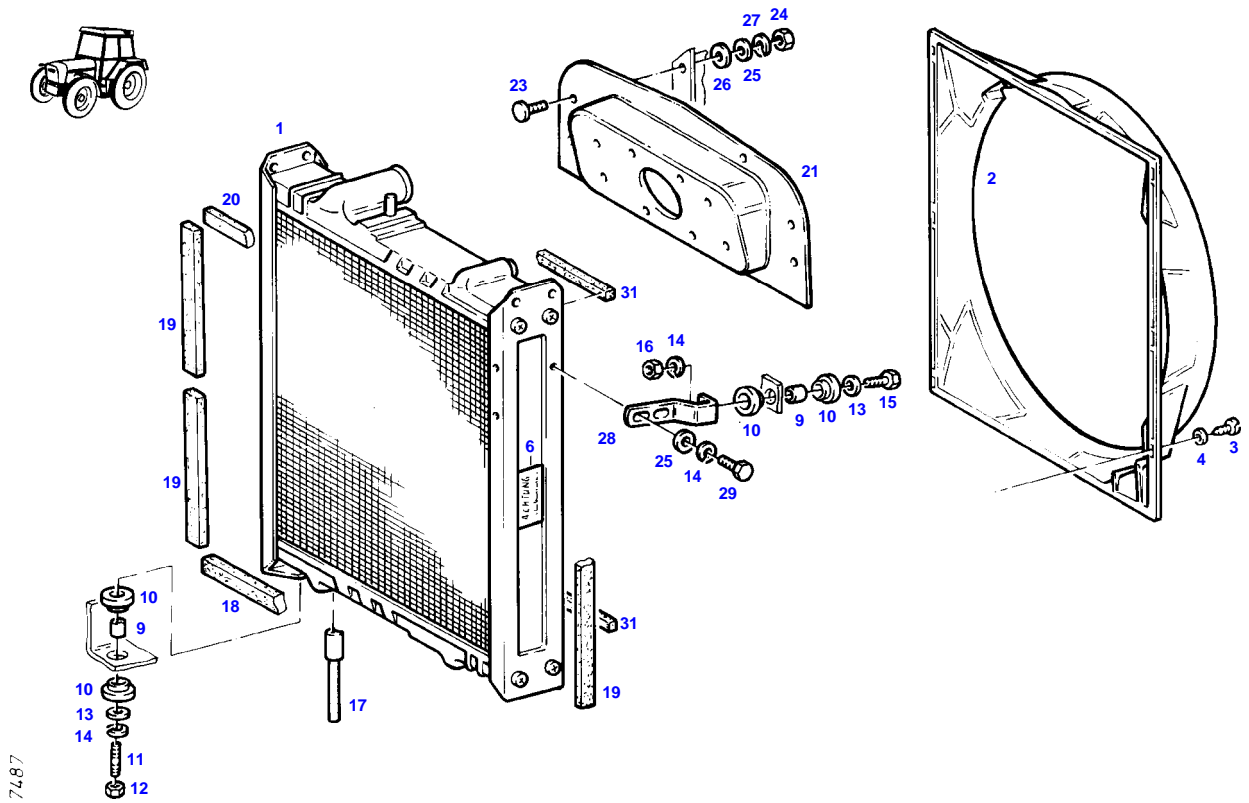


**TABLE OF CONTENT**

| <b>Page Number</b> | <b>Page Title</b>                   | <b>Page Reference</b> |
|--------------------|-------------------------------------|-----------------------|
| 01-000-TOC         | ENGINE, FUEL AND EXHAUST SYSTEM     | 01-000-TOC            |
| 02-000-TOC         | AXLES                               | 02-000-TOC            |
| 03-000-TOC         | STEERING SYSTEM                     | 03-000-TOC            |
| 04-000-TOC         | DRIVE TRAIN SYSTEM                  | 04-000-TOC            |
| 05-000-TOC         | COMPRESSED AIR SYSTEM               | 05-000-TOC            |
| 06-000-TOC         | HYDRAULIC SYSTEM                    | 06-000-TOC            |
| 07-000-TOC         | ELECTRICAL SYSTEM                   | 07-000-TOC            |
| 08-000-TOC         | CAB                                 | 08-000-TOC            |
| 09-000-TOC         | AIR CONDITIONING AND HEATING SYSTEM | 09-000-TOC            |
| 10-000-TOC         | CHASSIS                             | 10-000-TOC            |
| 11-000-TOC         | WHEELS                              | 11-000-TOC            |
| 12-000-TOC         | IMPLEMENT LIFT SYSTEM FRONT         | 12-000-TOC            |
| 13-000-TOC         | IMPLEMENT LIFT SYSTEM REAR          | 13-000-TOC            |
| 14-000-TOC         | FRONT/REAR LOADERS                  | 14-000-TOC            |
| 15-000-TOC         | ATTACHMENTS                         | 15-000-TOC            |
| 16-000-TOC         | ACCESSORIES                         | 16-000-TOC            |

FARMER 304 (158/20001-99999)  
7487



| Item | Part Number | Qty | Description<br>Comments                    | Technical Specification        |
|------|-------------|-----|--|--------------------------------|
| 1    | 72348555    | 1   | RADIATOR                                   |                                |
| 2    | 72395456    | 1   | FAN COVER                                  |                                |
| 3    | 72315818    | 6   | SCREW                                      | DIN7976-ST4,2X25-C-A3L         |
| 4    | 72311817    | 6   | DISC                                       | DIN9021-4,3-140HV-A3L          |
| 6    | 72379109    | 1   | MARKING PLATE                              | FWN66556-35X68-SCHUTZVORR.N.OE |
| 9    | 72310718    | 4   | BUSH                                       |                                |
| 10   | 72312479    | 8   | UNIVERSAL SPOUT                            |                                |
| 11   | 72313772    | 2   | STUD BOLT                                  | DIN 939 M8X30-8.8              |
| 12   | 72313320    | 2   | NUT  | DIN6925-M8-8-A3L               |
| 13   | 72311824    | 4   | DISC                                       | DIN9021-8,4-140HV-A3L          |
| 14   | 72315053    | 4   | SPLIT WASHER                               | FWN 65208-8-A3L                |
| 15   | 72315660    | 2   | HEXAGONAL HEAD BOLT                        | DIN 933 M8X35-8.8A3L           |
| 16   | 72313268    | 2   | NUT  | DIN 934 M8-8A3L                |
| 17   | 72397310    | 1   | DRAINAGE PIPING                            |                                |
| 18   | 72310182    | 1   | STRAP                                      |                                |
| 19   | 72397315    | 4   | STRAP                                      |                                |
| 20   | 72395459    | 1   | STRAP                                      |                                |
| 21   | 72397306    | 1   | BARRIER WALL                               |                                |
| 23   | 72373806    | 5   | TRUSS HEAD SCREW                           | DIN 603 M6X16-A3L              |
| 24   | 72313266    | 5   | NUT  | DIN 934 M6-8A3L                |
| 25   | 72311787    | 7   | DISC                                       | DIN 125-6,4-ST.A3L             |
| 26   | 72311788    | 5   | DISC                                       | DIN 125-8,4-ST.A3L             |
| 27   | 72315052    | 5   | SPLIT WASHER                               | FWN 65208-6-A3L                |
| 28   | 72397309    | 2   | HOLDER                                     |                                |
| 29   | 72315642    | 4   | HEXAGONAL HEAD BOLT                        | DIN 933 M8 X 16-8.8A3L         |
| 31   | 72450560    | 1   | SEALING STRIP<br>2X 470MM<br>CUT TO LENGTH |                                |

**<https://www.ebooklibonline.com>**

Hello dear friend!

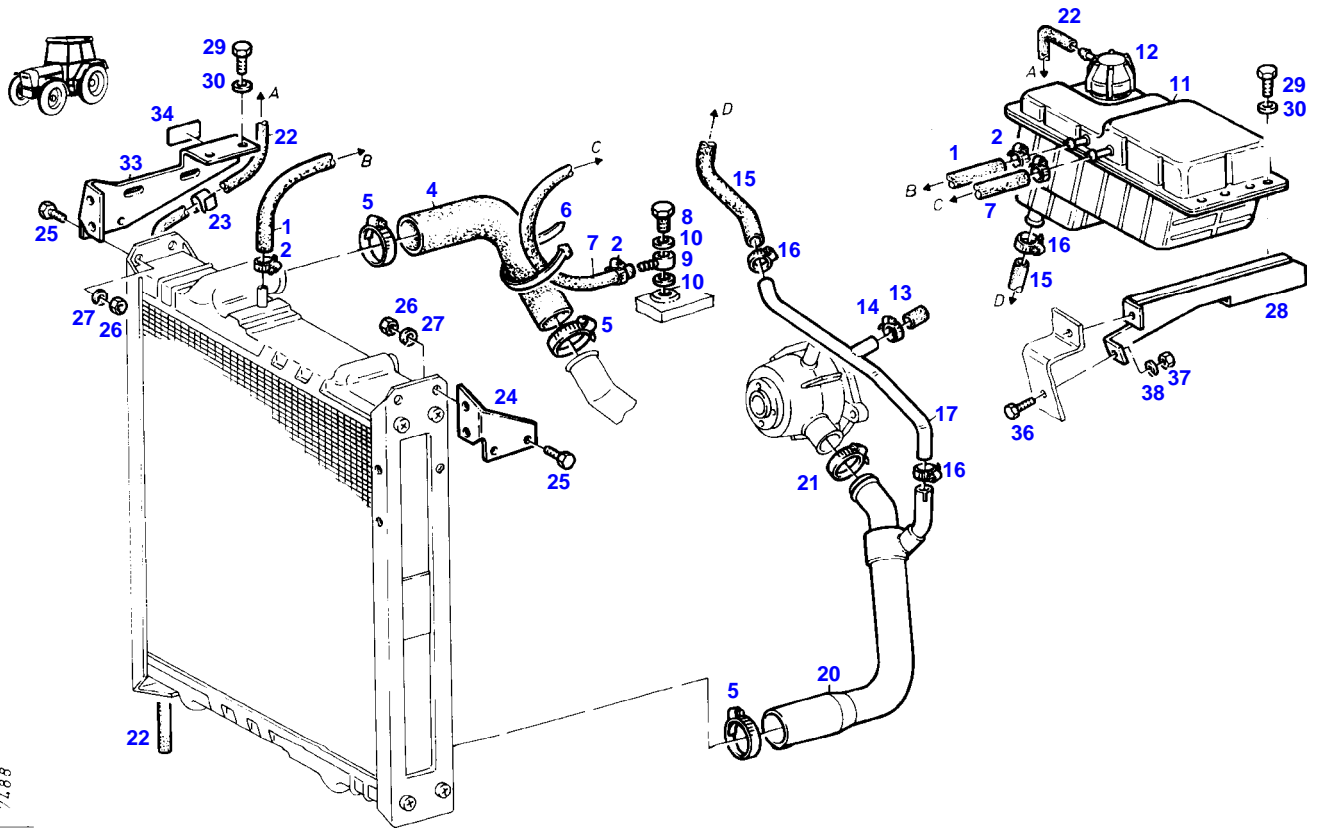
Thank you very much for reading.

Enter the link into your browser.

The full manual is available for immediate download.

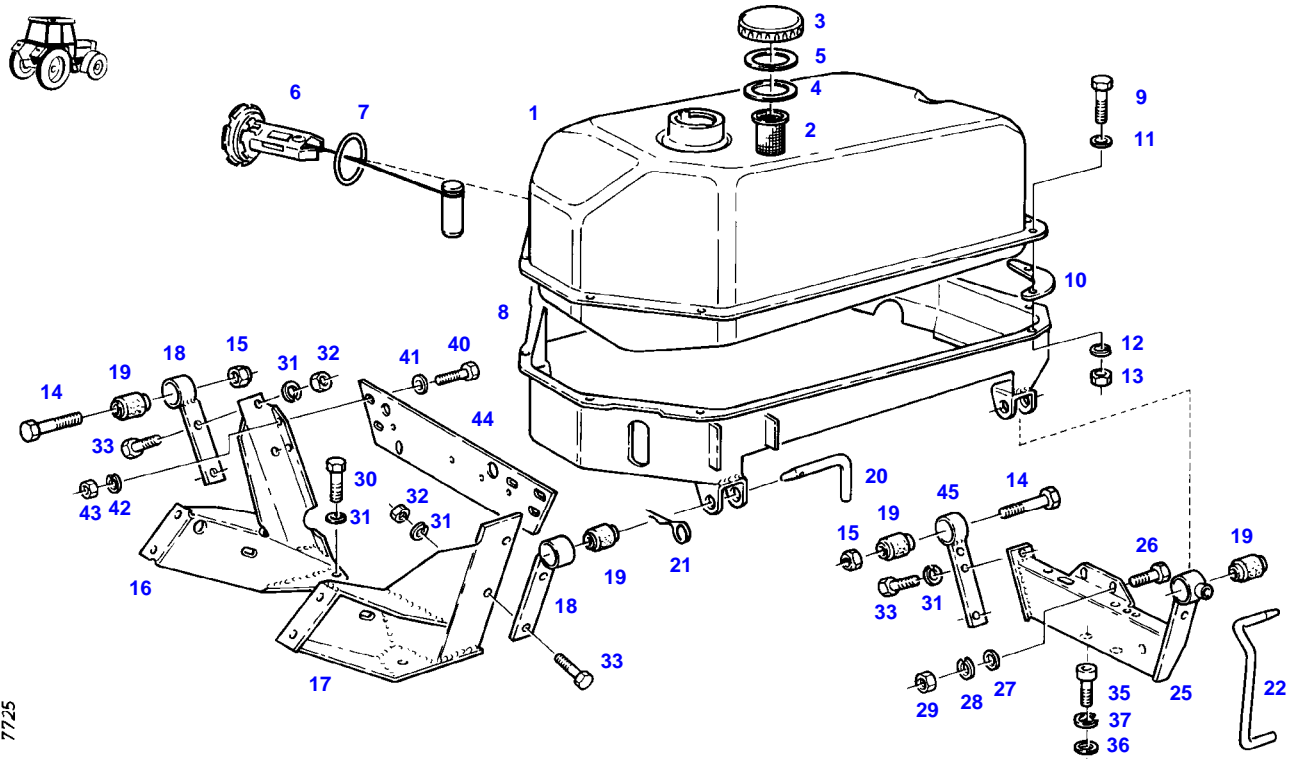
**<https://www.ebooklibonline.com>**

FARMER 304 (158/20001-99999)  
7488



| Item | Part Number | Qty | Description<br>Comments                  | Technical Specification |
|------|-------------|-----|--|-------------------------|
| 1    | 72622024    | 1   | PRESSURE HOSE<br>190 MM<br>CUT TO LENGTH | L=0,50M 8X3,5-FWN65911  |
| 2    | 72438345    | 4   | HOSE CLIP                                |                         |
| 4    | 72395457    | 1   | RUBBER ARCH                              |                         |
| 5    | 72311170    | 3   | HOSE CLIP                                |                         |
| 6    | 72316915    | 1   | CABLE STRAP                              | FWN 66650 B290X4,8-SW   |
| 7    | 72450289    | 1   | PRESSURE HOSE<br>510 MM<br>CUT TO LENGTH | L=550 FWN 66041-M4      |
| 8    | 72315806    | 1   | BANJO BOLT                               | DIN 7643-6-3-A3L        |
| 9    | 72377528    | 1   | RING HOSE NIPPLE                         | FWN65910-A-DN4          |
| 10   | 72315088    | 2   | SEALING WASHER                           | DIN 7603 A10X13,5-CU    |
| 11   | 72316897    | 1   | EXPANSION TANK                           |                         |
| 12   | 72310924    | 1   | COLLER LOCKING                           |                         |
| 13   | 72404925    | 1   | CAP                                      |                         |
| 14   | 72311166    | 1   | HOSE CLIP                                |                         |
| 15   | 72435869    | 1   | RUBBER ARCH                              |                         |
| 16   | 72311166    | 3   | HOSE CLIP                                |                         |
| 17   | 72357764    | 1   | PIPE                                     |                         |
| 20   | 72395458    | 1   | COOLANT LINE                             |                         |
| 21   | 72311162    | 1   | HOSE CLIP                                |                         |
| 22   | 72442422    | 1   | HOSE<br>1000 MM<br>CUT TO LENGTH         | L=1500MM                |
| 23   | 72312049    | 3   | HOSE RETAINER                            |                         |
| 24   | 72397308    | 1   | RETAINER                                 |                         |
| 25   | 72315642    | 2   | HEXAGONAL HEAD BOLT                      | DIN 933 M8 X 16-8.8A3L  |
| 26   | 72313268    | 6   | NUT                                      | DIN 934 M8-8A3L         |
| 27   | 72315053    | 6   | SPLIT WASHER                             | FWN 65208-8-A3L         |
| 28   | 72397312    | 1   | BRACKET                                  |                         |
| 29   | 72315821    | 4   | SCREW                                    | DIN7976-ST6,3X19-C-A3L  |
| 30   | 72311822    | 6   | DISC                                     | DIN9021-6,4-140HV-A3L   |
| 33   | 72395461    | 1   | RETAINER                                 |                         |
| 34   | 72397318    | 1   | MARKING PLATE                            |                         |
| 36   | 72315629    | 1   | HEXAGONAL HEAD BOLT                      | DIN 933 M6 X 12-8.8A3L  |
| 37   | 72313266    | 1   | NUT                                      | DIN 934 M6-8A3L         |
| 38   | 72315052    | 1   | SPLIT WASHER                             | FWN 65208-6-A3L         |

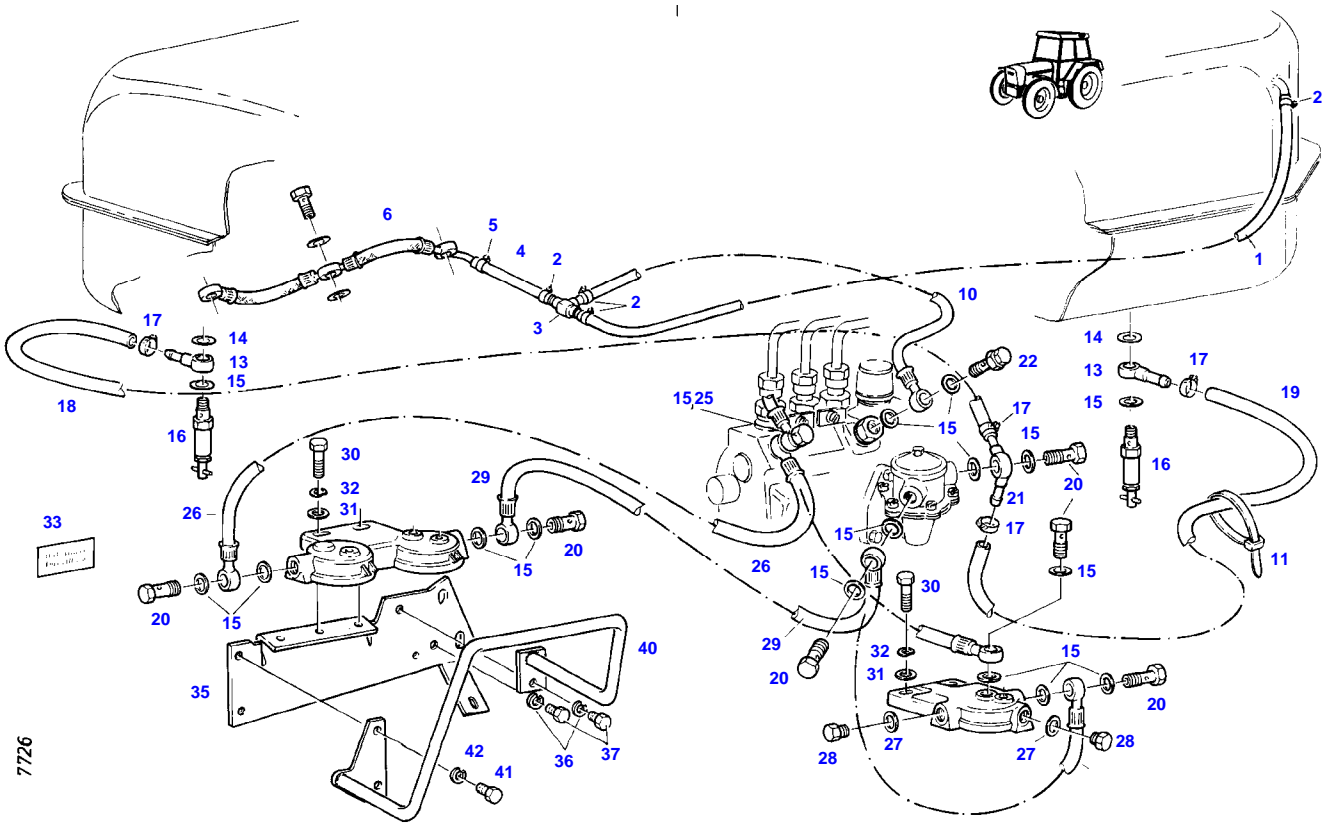
FARMER 304 (158/20001-99999)  
7725



## FUEL TANK

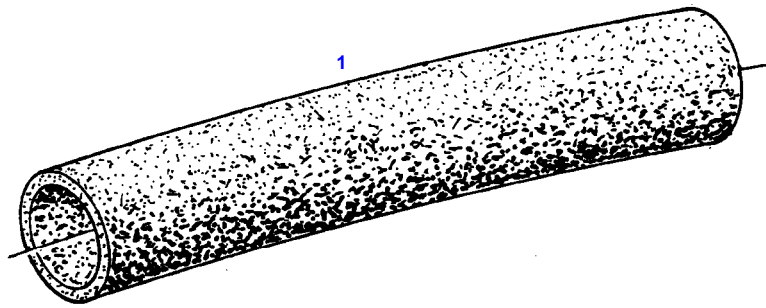
| Item | Part Number | Qty | Description<br>Comments  | Technical Specification |
|------|-------------|-----|--|-------------------------|
| 1    | 72348236    | 1   | FUEL TANK  |                         |
| 2    | 72433112    | 1   | STRAINER   | 60X100-MS               |
| 3    | 72380143    | 1   | FUEL CAP<br>KOEHLER  | M.BELUEF                |
|      | 72348297    | 1   | FUEL CAP<br>LOCKABLE<br>BLAU<br>><4  |                         |
| 4    | 72330725    | 1   | SEAL<br>BLAU   |                         |
|      | 72312304    | 1   | RUBBER SEAL<br>KOEHLER   |                         |
| 5    | 72330726    | 1   | SEAL<br>BLAU   |                         |
| 6    | 72348556    | 1   | FUEL LEVEL SENSOR<br>><7<br><-- G148.200.060.011                                       |                         |
| 7    | 72315169    | 1   | SEALING WASHER   |                         |
| 8    | 72355536    | 1   | TANK FRAME   |                         |
| 9    | 72315626    | 8   | HEXAGONAL HEAD BOLT  | DIN 933-M6 X 16-8.8-A3L |
| 10   | 72393006    | 2   | SHEET METAL  |                         |
| 11   | 72311822    | 16  | DISC   | DIN9021-6,4-140HV-A3L   |
| 12   | 72315052    | 8   | SPLIT WASHER   | FWN 65208-6-A3L         |
| 13   | 72313266    | 8   | NUT  | DIN 934 M6-8A3L         |
| 14   | 72315719    | 2   | HEXAGONAL HEAD BOLT  | DIN 933 M12X60-8.8A3L   |
| 15   | 72313325    | 2   | NUT  | DIN 980-VM12-8-A3L      |
| 16   | 72355440    | 1   | BRACKET<br>--> 158/20965<br><-- 158/20967 --> 158/21038<br><-- 158/21049 --> 158/21121 |                         |
|      | 72356748    | 1   | BRACKET<br><-- 158/20966 --> 158/20966<br><-- 158/21039 --> 158/21048<br><-- 158/21122 |                         |
| 17   | 72355441    | 1   | BRACKET<br>--> 158/20965<br><-- 158/20967 --> 158/21038<br><-- 158/21049 --> 158/21121 |                         |
|      | 72356749    | 1   | BRACKET<br><-- 158/20966 --> 158/20966<br><-- 158/21039 --> 158/21048<br><-- 158/21122 |                         |
| 18   | 72356758    | 2   | SUPPORT ARM  |                         |
| 19   | 72310644    | 4   | RUBBER BUSHING   |                         |
| 20   | 72407288    | 2   | BEARING PIN  |                         |
| 21   | 72311183    | 2   | HAIR COTTER PIN  | DIN 11024-4-A3L         |
| 22   | 72393681    | 1   | BEARING PIN  |                         |
| 25   | 72357771    | 1   | CROSSMEMBER  |                         |
| 26   | 72315689    | 2   | HEXAGONAL HEAD BOLT  | DIN 933 M10X35-8.8A3L   |
| 27   | 72311789    | 2   | DISC   | DIN 125-10,5-ST.A3L     |
| 28   | 72317122    | 2   | SPRING WASHER  | DIN 137 B10-MECH.VZK    |
| 29   | 72313272    | 2   | NUT  | DIN 934 M10-8A3L        |
| 30   | 72315642    | 6   | HEXAGONAL HEAD BOLT  | DIN 933 M8 X 16-8.8A3L  |
| 31   | 72315053    | 12  | SPLIT WASHER   | FWN 65208-8-A3L         |
| 32   | 72313268    | 4   | NUT  | DIN 934 M8-8A3L         |
| 33   | 72315653    | 4   | HEXAGONAL HEAD BOLT  | DIN 933 M8 X 25-8.8A3L  |
| 35   | 72374066    | 2   | SOCKET HEAD BOLT   | DIN 912 M12X20-8.8      |
| 36   | 72311804    | 2   | DISC   | DIN 433-13-ST.A3L       |
| 37   | 72315055    | 2   | SPLIT WASHER   | FWN 65208-12-A3L        |
| 40   | 72315631    | 4   | HEXAGONAL HEAD BOLT  | DIN 933 M6 X 20-8.8A3L  |
| 41   | 72311822    | 4   | DISC   | DIN9021-6,4-140HV-A3L   |
| 42   | 72315052    | 4   | SPLIT WASHER   | FWN 65208-6-A3L         |
| 43   | 72313266    | 4   | NUT  | DIN 934 M6-8A3L         |
| 44   | 72397321    | 1   | SHEET METAL  |                         |
| 45   | 72357768    | 1   | SUPPORT ARM  |                         |

FARMER 304 (158/20001-99999)  
7726



7726

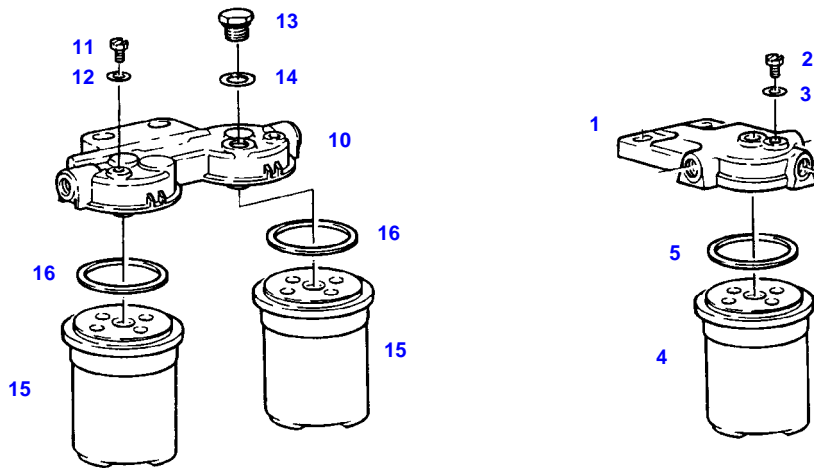
| Item | Part Number | Qty | Description<br>Comments                  | Technical Specification |
|------|-------------|-----|--|-------------------------|
| 1    | 72450301    | 1   | PRESSURE HOSE<br>750 MM<br>CUT TO LENGTH | L=1000                  |
| 2    | 72438345    | 4   | HOSE CLIP                                |                         |
| 3    | 72380023    | 1   | TEE FITTING                              |                         |
| 4    | 72450301    | 1   | PRESSURE HOSE<br>150 MM<br>CUT TO LENGTH | L=1000                  |
| 5    | 72438345    | 1   | HOSE CLIP                                |                         |
| 6    | 72329530    | 1   | LEAKAGE OIL LINE                         |                         |
| 10   | 72356761    | 1   | FUEL LINE                                |                         |
| 11   | 72316916    | 3   | CABLE STRAP                              | FWN 66650 B175X4-SW     |
| 13   | 72377531    | 2   | RING HOSE NIPPLE                         | FWN65910-A-DN8          |
| 14   | 72315093    | 2   | SEALING WASHER                           | DIN 7603 A12X18-CU      |
| 15   | 72315095    | 15  | SEALING WASHER                           | DIN 7603 A14X20-CU      |
| 16   | 72380159    | 2   | FUEL SHUT-OFF VALVE                      |                         |
| 17   | 72438345    | 4   | HOSE CLIP                                |                         |
| 18   | 72450303    | 1   | PRESSURE HOSE<br>800 MM<br>CUT TO LENGTH | L=1000                  |
| 19   | 72450303    | 1   | PRESSURE HOSE<br>980 MM<br>CUT TO LENGTH | L=1000                  |
| 20   | 72315808    | 3   | BANJO BOLT                               | DIN 7643-10-3-A3L       |
| 21   | 72377533    | 1   | DOUBLE NIPPLE                            | FWN65910-DN8-120GR      |
| 22   | 72380268    | 1   | BLEED AND DRAIN VALVE                    |                         |
| 25   | 72310187    | 1   | DOUBLE BOLT                              |                         |
| 26   | 72355537    | 1   | FUEL LINE                                |                         |
| 27   | 72315095    | 2   | SEALING WASHER                           | DIN 7603 A14X20-CU      |
| 28   | 72315799    | 2   | PLUG                                     | DIN 7604 AM14X1,5-A3L   |
| 29   | 72356760    | 1   | FUEL LINE<br>--> 158/21374               |                         |
|      | 72355325    | 1   | FUEL LINE<br><-- 158/21375               |                         |
| 30   | 72315653    | 2   | HEXAGONAL HEAD BOLT                      | DIN 933 M8 X 25-8.8A3L  |
| 31   | 72311824    | 2   | DISC                                     | DIN9021-8,4-140HV-A3L   |
| 32   | 72315053    | 2   | SPLIT WASHER                             | FWN 65208-8-A3L         |
| 33   | 72393682    | 1   | MARKING PLATE                            |                         |
| 35   | 72357112    | 1   | FILTER RETAINER                          |                         |
| 36   | 72315053    | 3   | SPLIT WASHER                             | FWN 65208-8-A3L         |
| 37   | 72315642    | 3   | HEXAGONAL HEAD BOLT                      | DIN 933 M8 X 16-8.8A3L  |
| 40   | 72357121    | 1   | PROTECTION BAR                           |                         |
| 41   | 72315642    | 1   | HEXAGONAL HEAD BOLT                      | DIN 933 M8 X 16-8.8A3L  |
| 42   | 72315053    | 1   | SPLIT WASHER                             | FWN 65208-8-A3L         |



8555

| Item                                  | Part Number | Qty | Description<br>Comments                           | Technical Specification |
|---------------------------------------|-------------|-----|---|-------------------------|
| <b>RAPE SEED OIL METHYLATED ESTER</b> |             |     |   |                         |
| 1                                     | 72436293    | 1   | HEAT SHRINK TUBING<br>1X 2500 MM<br>CUT TO LENGTH | L=2600                  |
|                                       | 72436294    | X   | HEAT SHRINK TUBING<br>1X 3000 MM<br>CUT TO LENGTH | L=3100                  |
|                                       | 72436295    | 1   | HEAT SHRINK TUBING<br>1X 2000 MM<br>CUT TO LENGTH | L=2100                  |

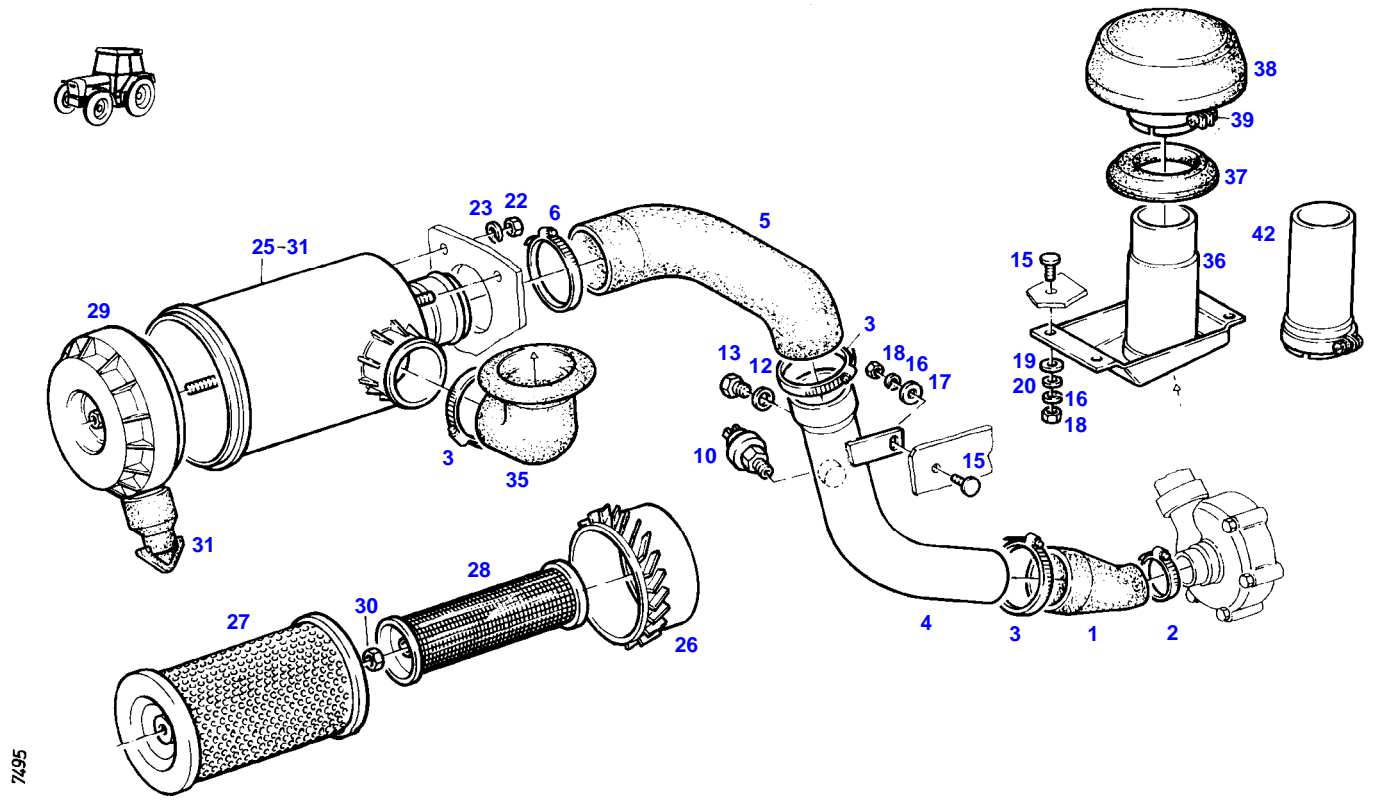
FARMER 304 (158/20001-99999)  
4952



4952

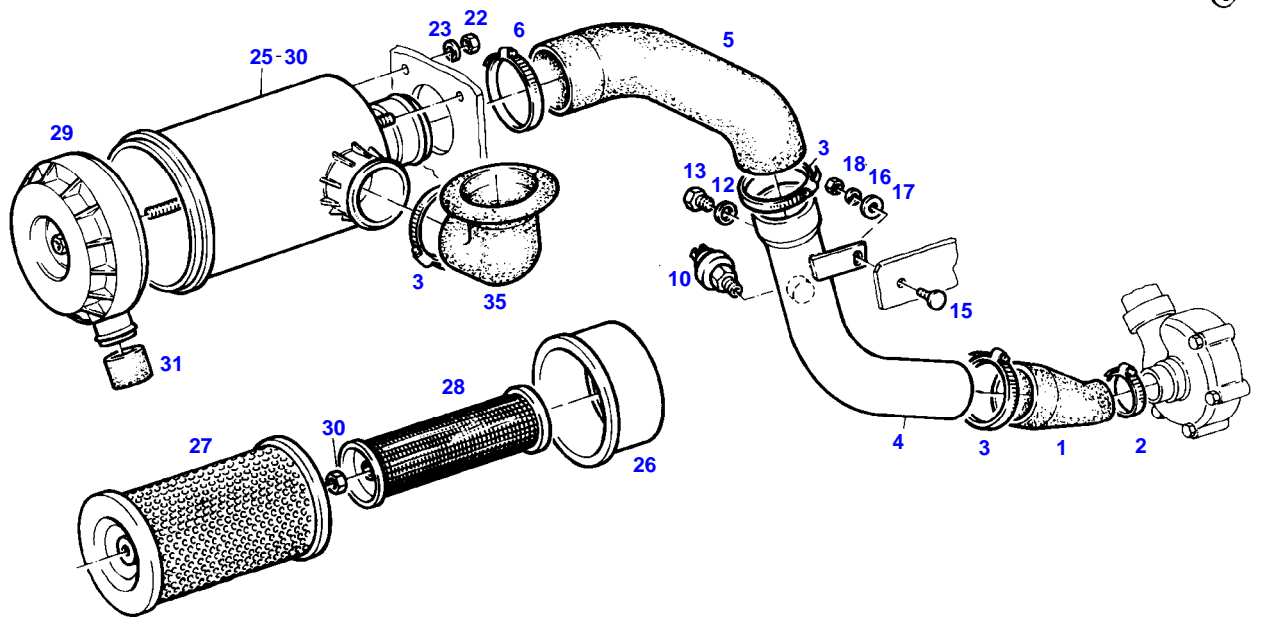
| Item | Part Number | Qty | Description<br>Comments  | Technical Specification |
|------|-------------|-----|--|-------------------------|
| 1    | 72615599    | 1   | FILTER LID<br>><2,3  |                         |
| 2    | 72323290    | 1   | BLEED SCREW  |                         |
| 3    | 72315084    | 1   | SEALING WASHER   | DIN 7603 A6X10-CU       |
| 4    | 72416928    | 1   | FILTER BOX<br>><5  |                         |
| 5    | 72314995    | 1   | RUBBER RING<br>PARALLEL-FILTER                                       |                         |
| 10   | 72380173    | 1   | PARALLEL FILTER<br>BOSCH<br>><11-16<br><-- X810.190.166.000 1X<br><> |                         |
|      | 72416928    | 2   | FILTER BOX   |                         |
|      | 72451307    | 1   | COVER<br>KNECHT<br>><11-12<br><>                                     | PARALLELFILT.           |
|      | 72416928    | 2   | FILTER BOX   |                         |
| 11   | 72323290    | 2   | BLEED SCREW<br>BOSCH   |                         |
|      | 72314699    | 2   | BLEED SCREW<br>KNECHT  |                         |
| 12   | 72315084    | 2   | SEALING WASHER<br>BOSCH  | DIN 7603 A6X10-CU       |
|      | 72315086    | 2   | SEALING WASHER<br>KNECHT   | DIN 7603 A8X11,5-CU     |
| 13   | 72326250    | 1   | SCREW<br>BOSCH   |                         |
| 14   | 72315095    | 1   | SEALING WASHER<br>BOSCH  | DIN 7603 A14X20-CU      |
| 15   | 72416928    | 2   | FILTER BOX<br>><16   |                         |
| 16   | 72314995    | 2   | RUBBER RING  |                         |

FARMER 304 (158/20001-99999)  
7495



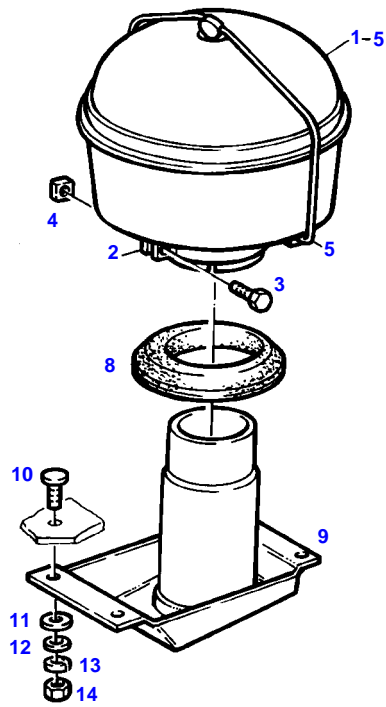
| Item          | Part Number | Qty | Description<br>Comments | Technical Specification |
|---------------|-------------|-----|-------------------------|-------------------------|
| <b>PICLON</b> |             |     |                         |                         |
| 1             | 72393007    | 1   | REDUCER                 |                         |
| 2             | 72311163    | 1   | HOSE CLIP               |                         |
| 3             | 72311171    | 3   | HOSE CLIP               |                         |
| 4             | 72355538    | 1   | INTAKE MANIFOLD         |                         |
| 5             | 72395930    | 1   | RUBBER ARCH             |                         |
| 6             | 72311172    | 1   | HOSE CLIP               |                         |
| 10            | 72316876    | 1   | MAINTENANCE SWITCH      |                         |
| 12            | 72315101    | 1   | SEALING WASHER          | DIN 7603 A22X27-CU      |
| 13            | 72315802    | 1   | SCREW                   | DIN 7604 AM22X1,5-ST    |
| 15            | 72373809    | 5   | TRUSS HEAD SCREW        | DIN 603 M6X20-A3L       |
| 16            | 72315052    | 5   | SPLIT WASHER            | FWN 65208-6-A3L         |
| 17            | 72311822    | 1   | DISC                    | DIN9021-6,4-140HV-A3L   |
| 18            | 72313266    | 5   | NUT                     | DIN 934 M6-8A3L         |
| 19            | 72311787    | 4   | DISC                    | DIN 125-6,4-ST.A3L      |
| 20            | 72311788    | 4   | DISC                    | DIN 125-8,4-ST.A3L      |
| 22            | 72313268    | 4   | NUT                     | DIN 934 M8-8A3L         |
| 23            | 72315053    | 4   | SPLIT WASHER            | FWN 65208-8-A3L         |
| 25            | 72348192    | 1   | AIR FILTER<br>><26-31   |                         |
| 26            | 72329111    | 1   | DIFFUSER                |                         |
| 27            | 72329734    | 1   | MICRO-TOP CARTRIDGE     |                         |
| 28            | 72329735    | 1   | SAFETY CARTRIDGE        |                         |
| 29            | 72329736    | 1   | FLOOR                   |                         |
| 30            | 72372827    | 1   | NUT                     | DIN 934 M16X1,5-10A3L   |
| 31            | 72326122    | 1   | DUST DISCHARGE VALVE    |                         |
| 35            | 72397326    | 1   | BELLOWS                 |                         |
| 36            | 72357774    | 1   | AIR INTAKE              |                         |
| 37            | 72397329    | 1   | SEALING RING            |                         |
| 38            | 72348784    | 1   | RAIN CAP<br>><39        |                         |
| 39            | 72333025    | 1   | PIPE CLAMP              |                         |
| 42            | 72348666    | 1   | CONNECTING PIPE         |                         |

FARMER 304 (158/20001-99999)  
7496



7496

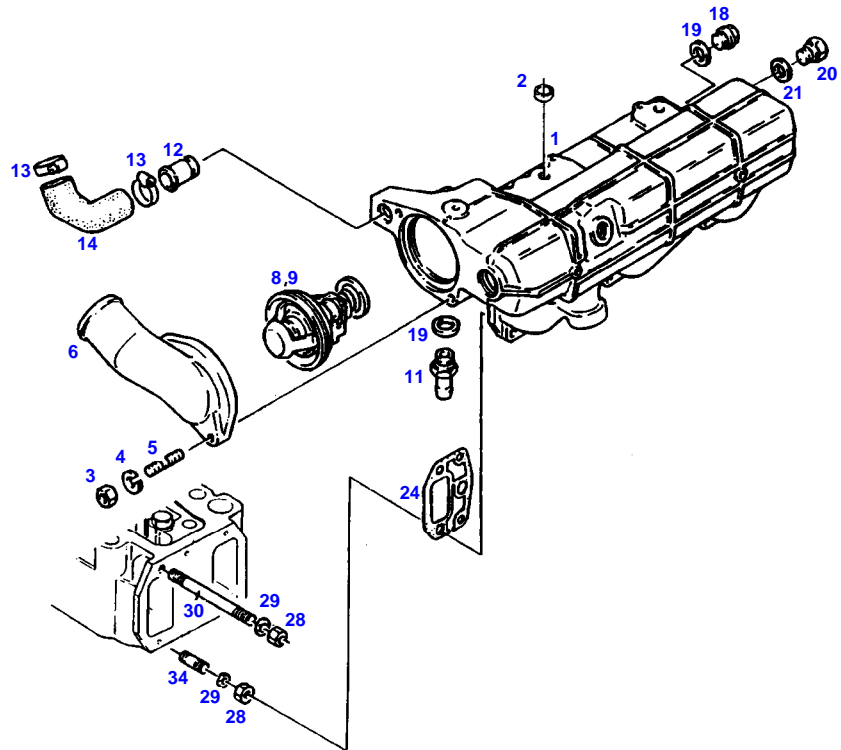
| Item | Part Number | Qty | Description<br>Comments | Technical Specification |
|------|-------------|-----|-------------------------|-------------------------|
|      |             |     | <b>PICO</b>             |                         |
| 1    | 72393007    | 1   | REDUCER                 |                         |
| 2    | 72311163    | 1   | HOSE CLIP               |                         |
| 3    | 72311171    | 3   | HOSE CLIP               |                         |
| 4    | 72355538    | 1   | INTAKE MANIFOLD         |                         |
| 5    | 72395930    | 1   | RUBBER ARCH             |                         |
| 6    | 72311172    | 1   | HOSE CLIP               |                         |
| 10   | 72316876    | 1   | MAINTENANCE SWITCH      |                         |
| 12   | 72315101    | 1   | SEALING WASHER          | DIN 7603 A22X27-CU      |
| 13   | 72315802    | 1   | SCREW                   | DIN 7604 AM22X1,5-ST    |
| 15   | 72373809    | 1   | TRUSS HEAD SCREW        | DIN 603 M6X20-A3L       |
| 16   | 72315052    | 1   | SPLIT WASHER            | FWN 65208-6-A3L         |
| 17   | 72311822    | 1   | DISC                    | DIN9021-6,4-140HV-A3L   |
| 18   | 72313266    | 1   | NUT                     | DIN 934 M6-8A3L         |
| 22   | 72313268    | 4   | NUT                     | DIN 934 M8-8A3L         |
| 23   | 72315053    | 4   | SPLIT WASHER            | FWN 65208-8-A3L         |
| 25   | 72348193    | 1   | AIR FILTER<br>><26-30   |                         |
| 26   | 72329412    | 1   | GUIDE RING              |                         |
| 27   | 72329734    | 1   | MICRO-TOP CARTRIDGE     |                         |
| 28   | 72329735    | 1   | SAFETY CARTRIDGE        |                         |
| 29   | 72329411    | 1   | FLOOR                   |                         |
| 30   | 72372827    | 1   | NUT                     | DIN 934 M16X1,5-10A3L   |
| 31   | 72392801    | 1   | CAP                     |                         |
| 35   | 72397326    | 1   | BELLOWS                 |                         |



7497

| Item | Part Number | Qty | Description<br>Comments      | Technical Specification |
|------|-------------|-----|------------------------------|-------------------------|
|      |             |     | <b>PICO</b>                  |                         |
| 1    | 72348194    | 1   | CYCLONE AIR CLEANER<br>><1-5 |                         |
|      | 72329416    | 1   | DUST CUP                     |                         |
| 2    | 72329414    | 1   | PIPE CLAMP                   |                         |
| 3    | 72329413    | 1   | HEXAGONAL HEAD BOLT          |                         |
| 4    | 72372783    | 1   | SQUARE NUT                   | DIN 557 M6-5 A3L        |
| 5    | 72329415    | 1   | HOLDER                       |                         |
| 8    | 72397329    | 1   | SEALING RING                 |                         |
| 9    | 72357774    | 1   | AIR INTAKE                   |                         |
| 10   | 72373809    | 4   | TRUSS HEAD SCREW             | DIN 603 M6X20-A3L       |
| 11   | 72311788    | 4   | DISC                         | DIN 125-8,4-ST.A3L      |
| 12   | 72311787    | 4   | DISC                         | DIN 125-6,4-ST.A3L      |
| 13   | 72315052    | 4   | SPLIT WASHER                 | FWN 65208-6-A3L         |
| 14   | 72313266    | 4   | NUT                          | DIN 934 M6-8A3L         |

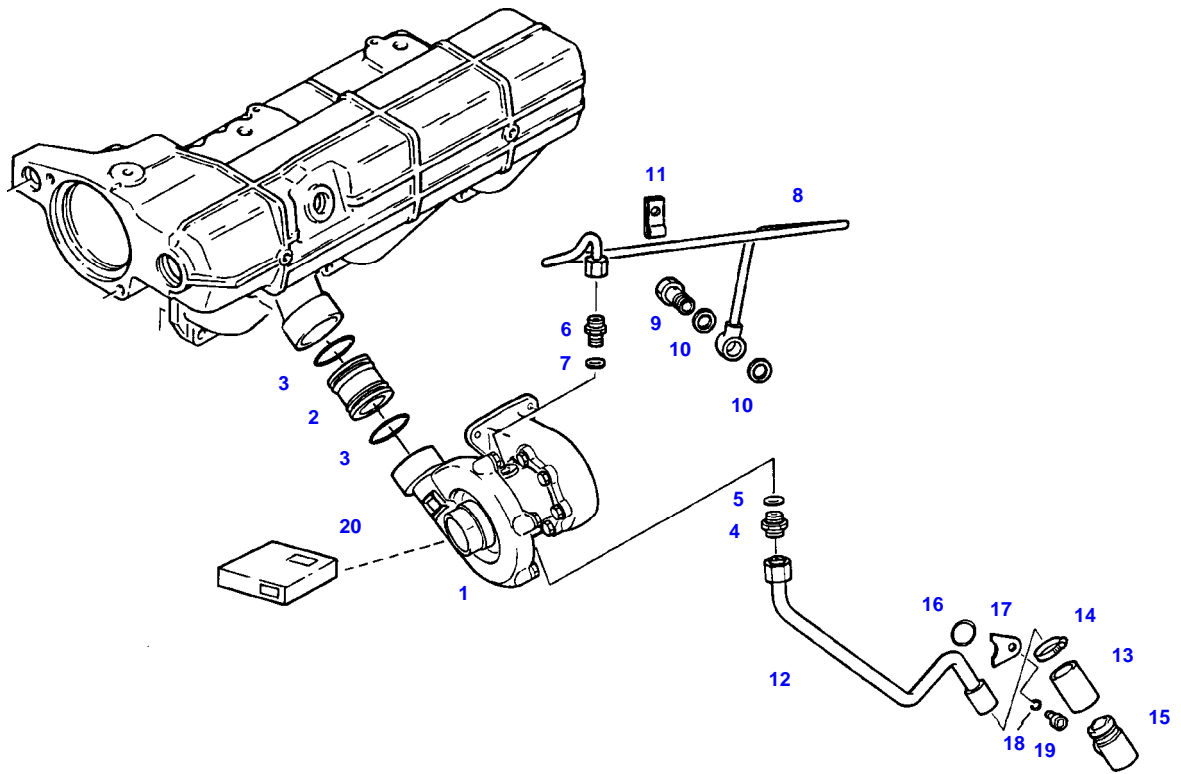
FARMER 304 (158/20001-99999)  
8980



8980

| Item | Part Number | Qty | Description<br>Comments           | Technical Specification |
|------|-------------|-----|-----------------------------------|-------------------------|
| 1    | 72393004    | 1   | INTAKE MANIFOLD                   |                         |
| 2    | 72311455    | 2   | COVER                             |                         |
| 3    | 72372805    | 2   | NUT                               | DIN 934 M8-10 C2A       |
| 4    | 72315053    | 2   | SPLIT WASHER                      | FWN 65208-8-A3L         |
| 5    | 72373904    | 2   | STUD BOLT                         | DIN 835-M8X30-8.8       |
| 6    | 72397293    | 1   | COVER                             |                         |
| 8    | 72348782    | 1   | THERMOSTAT<br>><9                 |                         |
|      | 72333024    | 1   | THERMOSTAT<br>85 C<br>SCANDINAVIA |                         |
| 9    | 72397296    | 1   | BRUSH SEALING                     |                         |
| 11   | 72396595    | 1   | HOSE BARB                         |                         |
| 12   | 72411402    | 1   | HOSE BARB<br><>                   |                         |
|      | 72315101    | 1   | SEALING WASHER                    | DIN 7603 A22X27-CU      |
| 13   | 72311168    | 2   | HOSE CLIP                         |                         |
| 14   | 72395453    | 1   | RUBBER ARCH                       |                         |
| 18   | 72315802    | 1   | SCREW                             | DIN 7604 AM22X1,5-ST    |
| 19   | 72315101    | 2   | SEALING WASHER                    | DIN 7603 A22X27-CU      |
| 20   | 72315798    | 1   | PLUG                              | DIN 7604 AM12X1,5-ST    |
| 21   | 72315093    | 1   | SEALING WASHER                    | DIN 7603 A12X18-CU      |
| 24   | 72397295    | 3   | MOLDED SEAL                       |                         |
| 28   | 72373015    | 9   | NUT                               | DIN70615-M10-8-A3B      |
| 29   | 72386496    | 9   | DISC                              |                         |
| 30   | 72374658    | 3   | STUD BOLT                         | DIN 939-M10X100-8.8     |
| 34   | 72374646    | 6   | STUD BOLT                         | DIN 939 M10X30-8.8      |

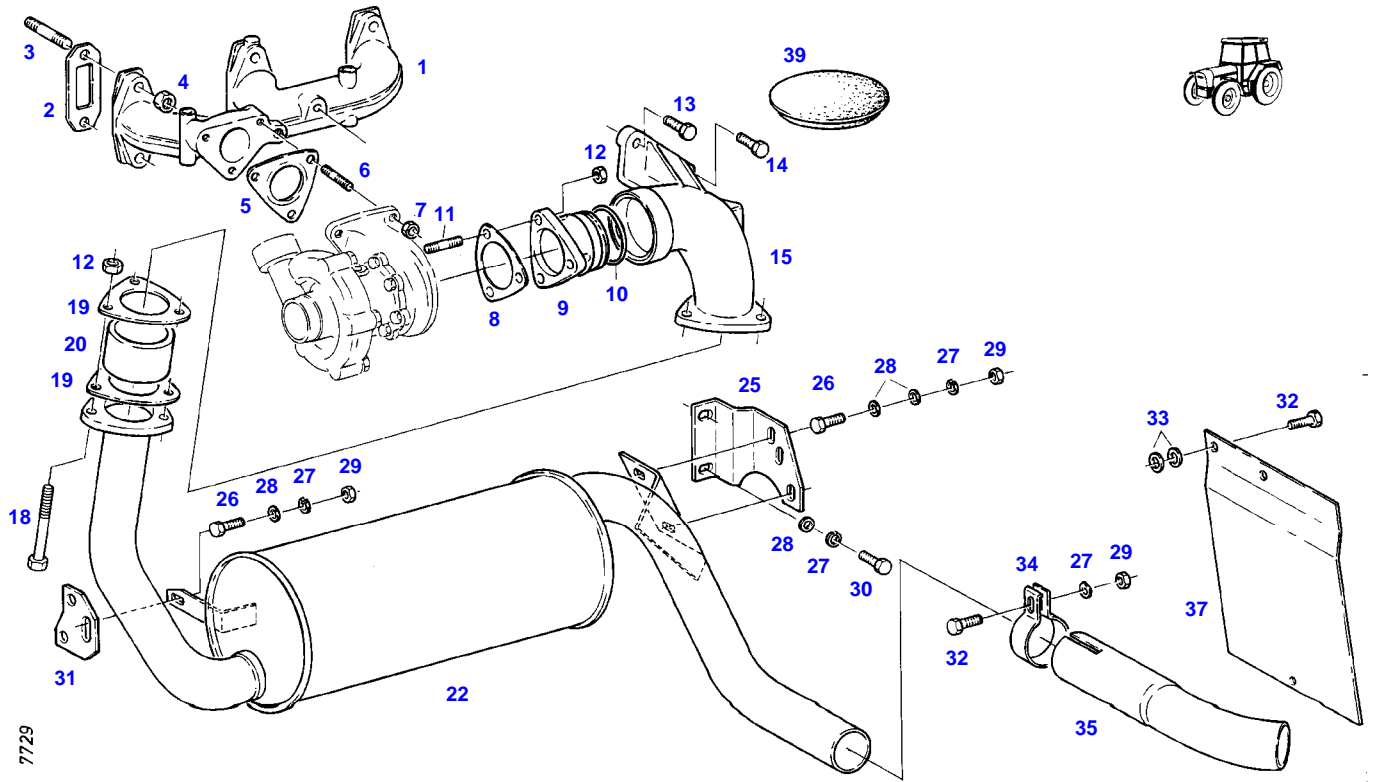
FARMER 304 (158/20001-99999)  
7728



7728

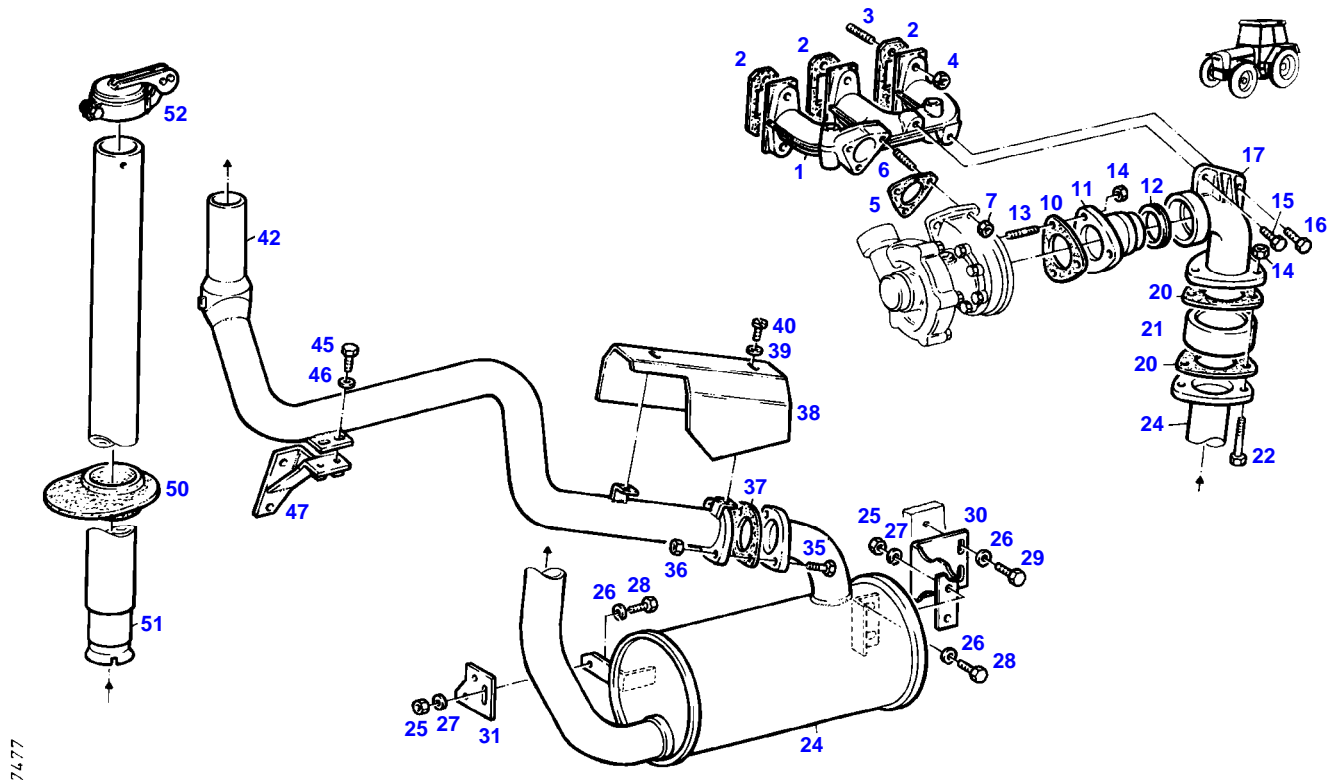
| Item | Part Number | Qty | Description<br>Comments | Technical Specification |
|------|-------------|-----|-------------------------|-------------------------|
| 1    | 72329531    | 1   | TURBOCHARGER<br>><20    |                         |
| 2    | 72329534    | 1   | CONNECTING PIECE        |                         |
| 3    | 72376526    | 2   | O-RING                  | 35X4                    |
| 4    | 72377894    | 1   | SCREW NECK              |                         |
| 5    | 72376066    | 1   | SEALING WASHER          | DIN 7603 D16X20-CU      |
| 6    | 72377895    | 1   | SCREW NECK              | DIN 3901-L8A-M-ST-A3L   |
| 7    | 72376065    | 1   | SEALING WASHER          | DIN 7603 D12X16-CU      |
| 8    | 72329535    | 1   | LUBE OIL LINE           |                         |
| 9    | 72374956    | 1   | BANJO BOLT              | DIN7623/3.70-A10-6.8    |
| 10   | 72315098    | 2   | SEALING WASHER          | DIN 7603 A16X22-CU      |
| 11   | 72329536    | 1   | PIPE CLAMP              |                         |
| 12   | 72329537    | 1   | LUBE OIL LINE           |                         |
| 13   | 72332160    | 1   | HOSE PIECE              |                         |
| 14   | 72311167    | 2   | HOSE CLIP               |                         |
| 15   | 72343888    | 1   | MANIFOLD                |                         |
| 16   | 72343889    | 1   | SEAL                    |                         |
| 17   | 72343890    | 1   | RETAINING SHEET METAL   |                         |
| 18   | 72315053    | 1   | SPLIT WASHER            | FWN 65208-8-A3L         |
| 19   | 72315489    | 1   | SOCKET HEAD BOLT        | DIN 912-M8 X 16-8.8-A3L |
| 20   | 72329532    | 1   | SPARE PARTS KIT         |                         |

FARMER 304 (158/20001-99999)  
7729



| Item | Part Number | Qty | Description<br>Comments | Technical Specification |
|------|-------------|-----|-------------------------|-------------------------|
| 1    | 72424971    | 1   | EXHAUST PIPE            |                         |
| 2    | 72332145    | 3   | MOLDED SEAL             |                         |
| 3    | 72374647    | 6   | STUD BOLT               | DIN 939-M10X40-8.8      |
| 4    | 72373015    | 6   | NUT                     | DIN70615-M10-8-A3B      |
| 5    | 72329538    | 1   | MOLDED SEAL             |                         |
| 6    | 72313771    | 3   | STUD BOLT               | DIN 939-M8X25-24CRMOV55 |
| 7    | 72372941    | 3   | NUT                     | FS M8-HQPQ              |
| 8    | 72392991    | 1   | SEAL                    |                         |
| 9    | 72392990    | 1   | FLANGE                  |                         |
| 10   | 72332980    | 1   | LAMELLAR RING           |                         |
| 11   | 72313770    | 3   | STUD BOLT               | FWN64891-M8X20-8.8      |
| 12   | 72313269    | 6   | NUT                     | DIN 934 M8-8C2A         |
| 13   | 72315681    | 1   | HEXAGONAL HEAD BOLT     | DIN 933 M10X25-8.8A3L   |
| 14   | 72374440    | 1   | HEXAGONAL HEAD BOLT     | DIN 933 M10X22-8.8      |
| 15   | 72392989    | 1   | MANIFOLD                |                         |
| 18   | 72315539    | 3   | HEXAGONAL HEAD BOLT     | DIN 931 M8X80-8.8 A3L   |
| 19   | 72407298    | 2   | MOLDED SEAL             |                         |
| 20   | 72393009    | 1   | INTERMEDIATE PIECE      |                         |
| 22   | 72355539    | 1   | EXHAUST MUFFLER         |                         |
| 25   | 72395463    | 1   | RETAINING BRACKET       |                         |
| 26   | 72315646    | 3   | HEXAGONAL HEAD BOLT     | DIN 933 M8X18-8.8A3L    |
| 27   | 72315053    | 6   | SPLIT WASHER            | FWN 65208-8-A3L         |
| 28   | 72311788    | 8   | DISC                    | DIN 125-8,4-ST.A3L      |
| 29   | 72313268    | 4   | NUT                     | DIN 934 M8-8A3L         |
| 30   | 72315642    | 2   | HEXAGONAL HEAD BOLT     | DIN 933 M8 X 16-8.8A3L  |
| 31   | 72395934    | 1   | RETAINING SHEET METAL   |                         |
| 32   | 72315657    | 3   | HEXAGONAL HEAD BOLT     | DIN 933 M8 X 30-8.8A3L  |
| 33   | 72311824    | 4   | DISC                    | DIN9021-8,4-140HV-A3L   |
| 34   | 72373437    | 1   | PIPE CLAMP              | DIN71555-63,5 EDELSTAHL |
| 35   | 72393695    | 1   | EXHAUST TAILPIPE        |                         |
| 37   | 72395464    | 1   | DEFLECTOR               |                         |
| 39   | 72397378    | 1   | COVER                   |                         |

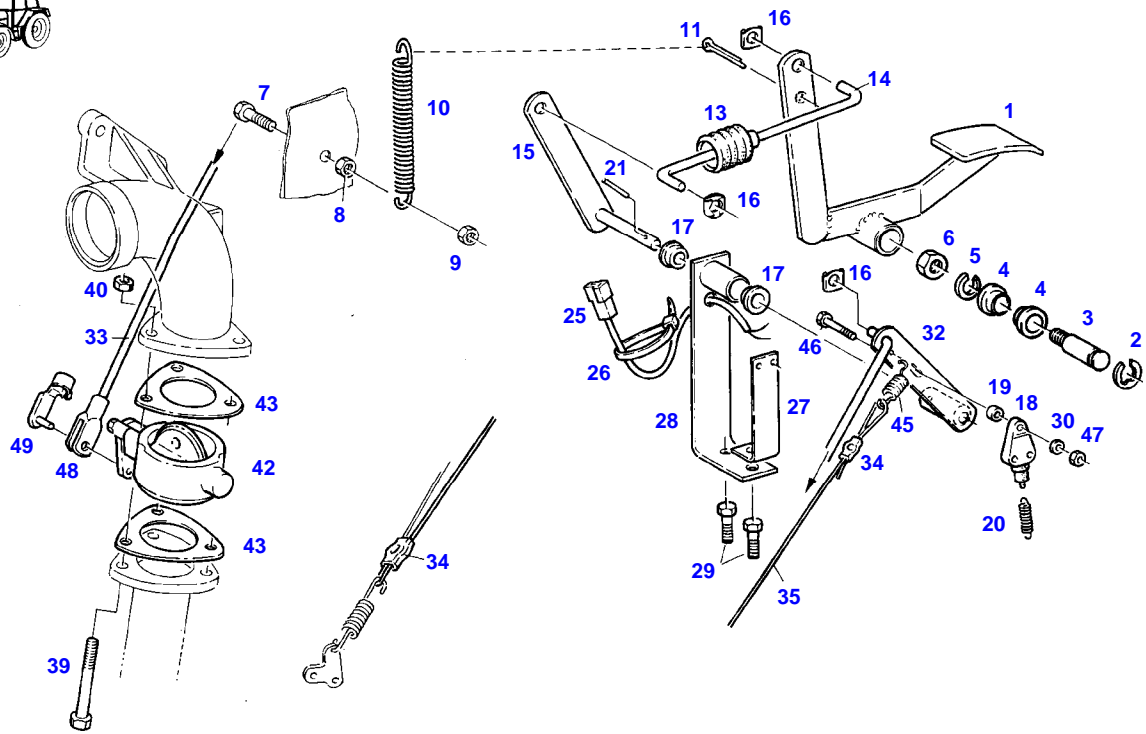
FARMER 304 (158/20001-99999)  
7477



7477

| Item | Part Number | Qty | Description<br>Comments | Technical Specification        |
|------|-------------|-----|-------------------------|--------------------------------|
| 1    | 72424971    | 1   | EXHAUST PIPE            |                                |
| 2    | 72332145    | 3   | MOLDED SEAL             |                                |
| 3    | 72374647    | 6   | STUD BOLT               | DIN 939-M10X40-8.8             |
| 4    | 72373015    | 6   | NUT                     | DIN70615-M10-8-A3B             |
| 5    | 72329538    | 1   | MOLDED SEAL             |                                |
| 6    | 72313771    | 3   | STUD BOLT               | DIN 939-M8X25-24CRMOV55        |
| 7    | 72372941    | 3   | NUT                     | FS M8-HQPQ                     |
| 10   | 72392991    | 1   | SEAL                    |                                |
| 11   | 72392990    | 1   | FLANGE                  |                                |
| 12   | 72332980    | 1   | LAMELLAR RING           |                                |
| 13   | 72313770    | 3   | STUD BOLT               | FWN64891-M8X20-8.8             |
| 14   | 72313269    | 6   | NUT                     | DIN 934 M8-8C2A                |
| 15   | 72315681    | 1   | HEXAGONAL HEAD BOLT     | DIN 933 M10X25-8.8A3L          |
| 16   | 72374440    | 1   | HEXAGONAL HEAD BOLT     | DIN 933 M10X22-8.8             |
| 17   | 72392989    | 1   | MANIFOLD                |                                |
| 20   | 72407298    | 2   | MOLDED SEAL             |                                |
| 21   | 72393009    | 1   | INTERMEDIATE PIECE      |                                |
| 22   | 72315539    | 3   | HEXAGONAL HEAD BOLT     | DIN 931 M8X80-8.8 A3L          |
| 24   | 72355532    | 1   | EXHAUST MUFFLER         |                                |
| 25   | 72313268    | 3   | NUT                     | DIN 934 M8-8A3L                |
| 26   | 72315053    | 5   | SPLIT WASHER            | FWN 65208-8-A3L                |
| 27   | 72311788    | 6   | DISC                    | DIN 125-8,4-ST.A3L             |
| 28   | 72315646    | 3   | HEXAGONAL HEAD BOLT     | DIN 933 M8X18-8.8A3L           |
| 29   | 72315642    | 2   | HEXAGONAL HEAD BOLT     | DIN 933 M8 X 16-8.8A3L         |
| 30   | 72393008    | 1   | RETAINING BRACKET       |                                |
|      |             |     | CODE 013,014,015        |                                |
|      | 72392992    | 1   | RETAINING BRACKET       |                                |
|      |             |     | CODE 012                |                                |
| 31   | 72395934    | 1   | RETAINING SHEET METAL   |                                |
| 35   | 72315685    | 2   | HEXAGONAL HEAD BOLT     | DIN 933 M10X30-8.8A3L          |
| 36   | 72313273    | 2   | NUT                     | DIN 934 M10-MS                 |
| 37   | 72376173    | 1   | SEAL                    | DIN71511-56X82X1,5-ST AFM5M.E. |
| 38   | 72392994    | 1   | SHROUD PANEL            |                                |
| 39   | 72311822    | 2   | DISC                    | DIN9021-6,4-140HV-A3L          |
| 40   | 72315820    | 2   | SCREW                   | DIN7976-ST6,3X13-C-A3L         |
| 42   | 72355523    | 1   | EXHAUST PIPE            |                                |
| 45   | 72315650    | 2   | HEXAGONAL HEAD BOLT     | DIN 933 M8 X 20-8.8A3L         |
| 46   | 72311824    | 2   | DISC                    | DIN9021-8,4-140HV-A3L          |
| 47   | 72355526    | 1   | RETAINER                |                                |
| 50   | 72397330    | 1   | SEALING CUP             |                                |
| 51   | 72355528    | 1   | END PIPE                |                                |
|      |             |     | <>                      |                                |
|      | 72348670    | 1   | EXTENSION TUBE          |                                |
| 52   | 72348233    | 1   | EXHAUST WEATHER CAP     |                                |

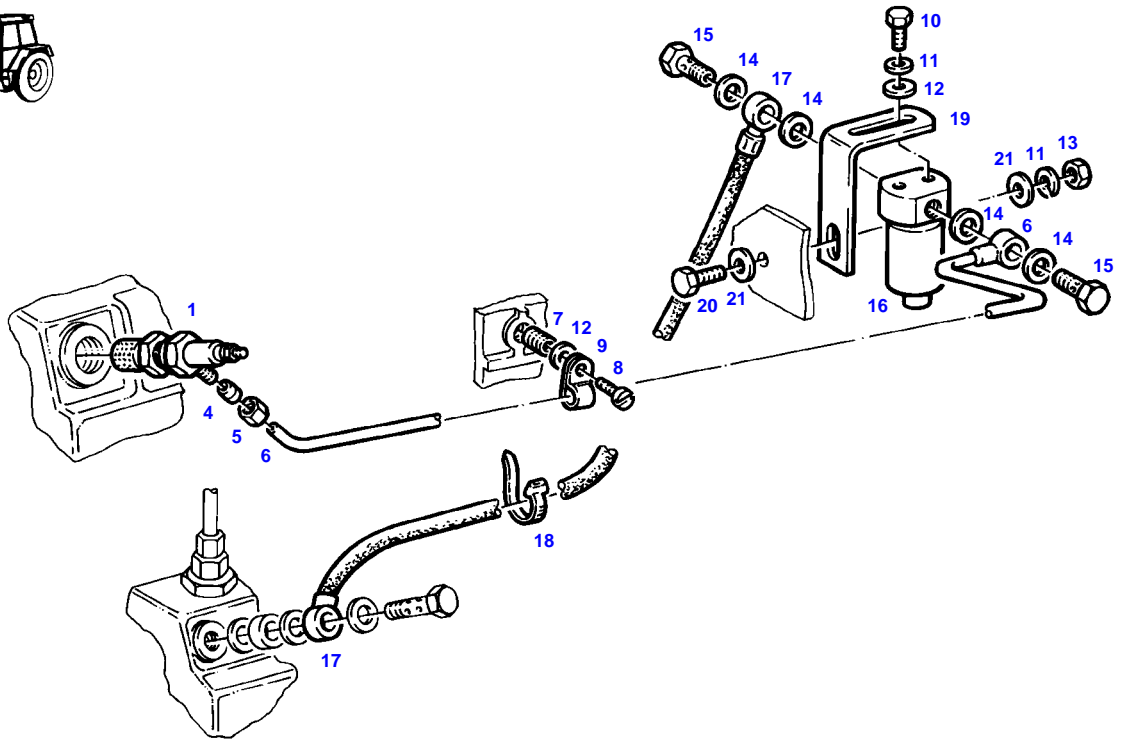
FARMER 304 (158/20001-99999)  
7166



7166

| Item | Part Number | Qty | Description<br>Comments            | Technical Specification     |
|------|-------------|-----|------------------------------------|-----------------------------|
| 1    | 72356732    | 1   | FOOT LEVER                         |                             |
| 2    | 72317146    | 1   | LOCK WASHER                        | DIN6799-12-A3L              |
| 3    | 72394196    | 1   | CARRIER                            |                             |
| 4    | 72310596    | 2   | BUSH                               |                             |
| 5    | 72315054    | 1   | SPLIT WASHER                       | FWN 65208-10-A3L            |
| 6    | 72313272    | 1   | NUT                                | DIN 934 M10-8A3L            |
| 7    | 72315630    | 1   | HEXAGONAL HEAD BOLT                | DIN 933 M6X18-8.8A3L        |
| 8    | 72313266    | 1   | NUT                                | DIN 934 M6-8A3L             |
| 9    | 72313318    | 1   | NUT                                | DIN6925-M6-8-A3L            |
| 10   | 72394186    | 1   | PULLING SPRING                     |                             |
| 11   | 72313879    | 1   | COTTER                             | DIN 94-5X20-ST.A3L          |
| 13   | 72377280    | 1   | BELLOWS                            |                             |
| 14   | 72395433    | 1   | ROD                                |                             |
| 15   | 72356730    | 1   | LEVER                              |                             |
| 16   | 72311180    | 3   | DUO-CLIP                           | 8 SXN10                     |
| 17   | 72393653    | 2   | BUSH                               |                             |
| 18   | 72380934    | 1   | STOP LIGHT SWITCH                  |                             |
| 19   | 72310699    | 1   | BUSH                               |                             |
| 20   | 72380433    | 1   | PULLING SPRING                     |                             |
| 21   | 72375133    | 1   | TENSIONING PIN                     | ISO8752-4X24-A-ST-OB3       |
| 25   | 72356753    | 1   | CABLE KIT                          |                             |
| 26   | 72316916    | 3   | CABLE STRAP                        | FWN 66650 B175X4-SW         |
| 27   | 72395435    | 1   | ANGLE                              |                             |
| 28   | 72356731    | 1   | CARRIER                            |                             |
| 29   | 72315657    | 2   | HEXAGONAL HEAD BOLT                | DIN 933 M8 X 30-8.8A3L      |
| 30   | 72311817    | 3   | DISC                               | DIN9021-4,3-140HV-A3L       |
| 32   | 72355458    | 1   | LEVER                              |                             |
| 33   | 72392998    | 1   | ROD                                |                             |
| 34   | 72333529    | 2   | CABLE CLAMP                        |                             |
| 35   | 72450805    | 1   | ROPE<br>1X 450 MM<br>CUT TO LENGTH | L=1000 DIN 3055-2-FE-ZNK 15 |
| 39   | 72315539    | 3   | HEXAGONAL HEAD BOLT                | DIN 931 M8X80-8.8 A3L       |
| 40   | 72313269    | 3   | NUT                                | DIN 934 M8-8C2A             |
| 42   | 72348235    | 1   | ENGINE BRAKE                       |                             |
| 43   | 72407298    | 2   | MOLDED SEAL                        |                             |
| 45   | 72316492    | 1   | PULLING SPRING                     |                             |
| 46   | 72315617    | 1   | HEXAGONAL HEAD BOLT                | DIN 933 M4X30-8.8A3L        |
| 47   | 72313263    | 1   | NUT                                | DIN 934 M4-8A3L             |
| 48   | 72311309    | 1   | CLEVIS                             | DIN 71752 G8X32-A3L         |
| 49   | 72372473    | 1   | BOLT                               | FWN 64072 8X32 A3L          |

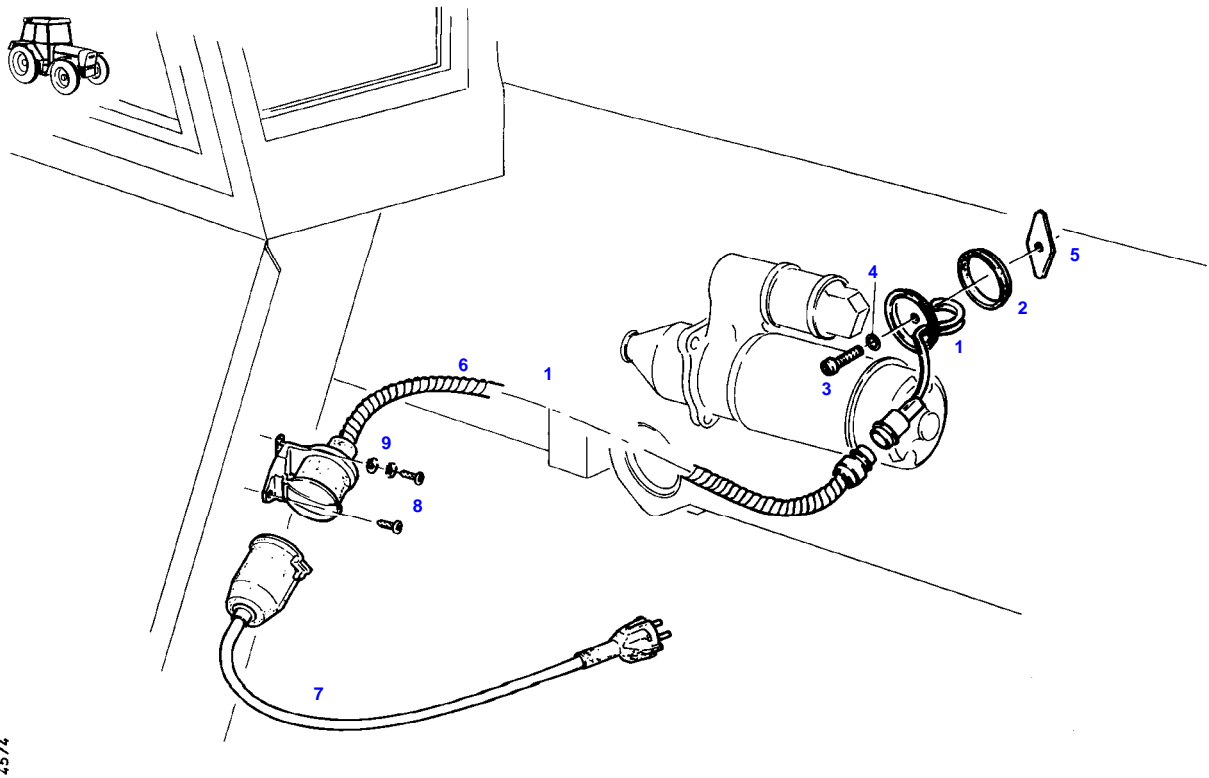
FARMER 304 (158/20001-99999)  
7481



7481

| Item | Part Number | Qty | Description<br>Comments | Technical Specification |
|------|-------------|-----|-------------------------|-------------------------|
| 1    | 72495170    | 1   | ROD FLAME GLOW PLUG     |                         |
| 4    | 72377312    | 1   | DOUBLE V-RING           | DIN 3862-6-9SMNPB28K+G  |
| 5    | 72378005    | 1   | CONNECTING NUT          | DIN 3870 ALL6-9S20K A3L |
| 6    | 72355540    | 1   | TUBING                  |                         |
| 7    | 72372509    | 1   | THREADED INSERT         | M4                      |
| 8    | 72373594    | 1   | SOCKET HEAD BOLT        | DIN 84 M4X12-4.8-A3L    |
| 9    | 72311242    | 1   | PIPE CLAMP              |                         |
| 10   | 72315629    | 2   | HEXAGONAL HEAD BOLT     | DIN 933 M6 X 12-8.8A3L  |
| 11   | 72315052    | 3   | SPLIT WASHER            | FWN 65208-6-A3L         |
| 12   | 72311787    | 2   | DISC                    | DIN 125-6,4-ST.A3L      |
|      | 72311817    | 1   | DISC                    | DIN9021-4,3-140HV-A3L   |
| 13   | 72313266    | 1   | NUT                     | DIN 934 M6-8A3L         |
| 14   | 72315088    | 4   | SEALING WASHER          | DIN 7603 A10X13,5-CU    |
| 15   | 72315806    | 2   | BANJO BOLT              | DIN 7643-6-3-A3L        |
| 16   | 72317090    | 1   | VALVE SOLENOID          |                         |
| 17   | 72356767    | 1   | FUEL LINE               |                         |
| 18   | 72316916    | 1   | CABLE STRAP             | FWN 66650 B175X4-SW     |
| 19   | 72395451    | 1   | ANGLE                   |                         |
| 20   | 72315626    | 1   | HEXAGONAL HEAD BOLT     | DIN 933-M6 X 16-8.8-A3L |
| 21   | 72311822    | 2   | DISC                    | DIN9021-6,4-140HV-A3L   |

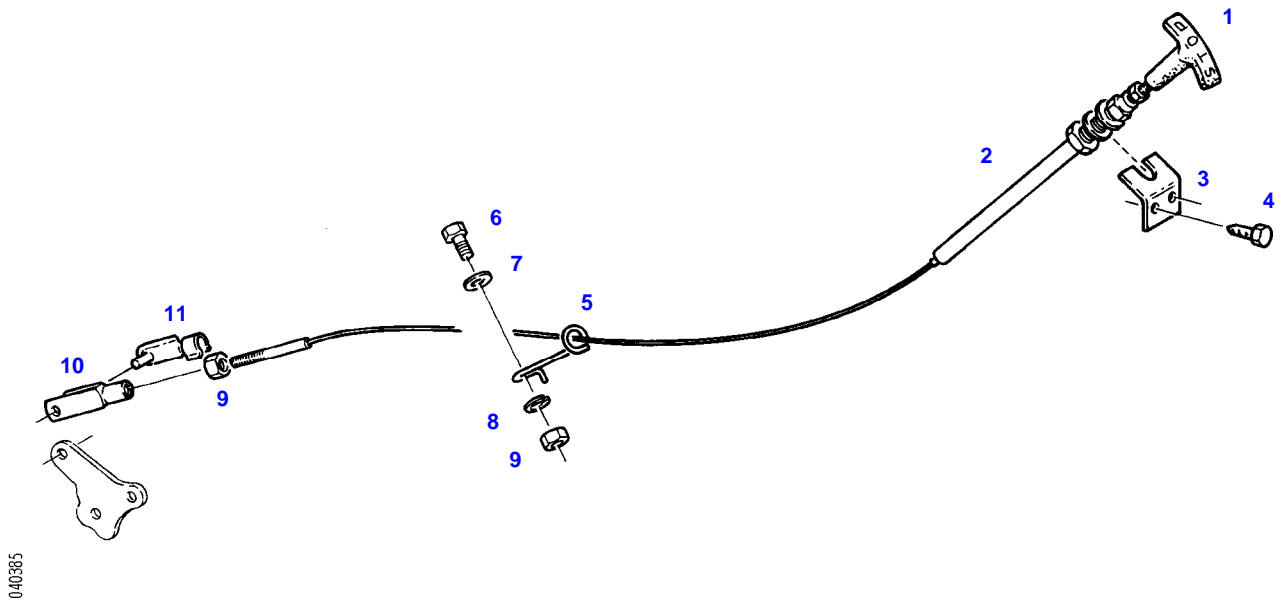
FARMER 304 (158/20001-99999)  
4574



4574

| Item | Part Number | Qty | Description<br>Comments                        | Technical Specification   |
|------|-------------|-----|--|---------------------------|
| 1    | 72385222    | 1   | ENGINE PRE-HEATER<br>><1-9<br><-- 0098.071.100 |                           |
|      | 72365565    | 1   | HEATER ELEMENT                                 |                           |
| 2    | 72332589    | 1   | SEAL   |                           |
| 3    | 72332590    | 1   | SCREW<br><>                                    |                           |
|      | 72332592    | 1   | O-RING   |                           |
|      | 72315466    | 1   | SOCKET HEAD BOLT<br><>                         | DIN 912 M6X30-8.8         |
|      | 72311787    | 1   | DISC   | DIN 125-6,4-ST.A3L        |
|      | 72376379    | 1   | O-RING   | 5,3X2,4-FPM 80 FWN56402   |
|      | 72311787    | 1   | DISC   | DIN 125-6,4-ST.A3L        |
| 4    | 72332592    | 1   | O-RING   |                           |
|      | 72376379    | 1   | O-RING   | 5,3X2,4-FPM 80 FWN56402   |
| 5    | 72332591    | 1   | COULTER CLAMP                                  |                           |
| 6    | 72310873    | 1   | CABLE<br><-- H816.200.250.210 1X<br><>         |                           |
|      | 72315615    | 2   | HEXAGONAL HEAD BOLT                            | DIN 933 M4X16-8.8A3L      |
|      | 72494152    | 1   | POWER CABLE                                    |                           |
|      | 72424447    | 1   | MOUNTING BRACKET                               |                           |
| 7    | 72317178    | 1   | POWER CABLE                                    |                           |
| 8    | 72315786    | 3   | SCREW  | DIN 7981 ST4,2X13-C-H-A3L |
|      | 72315408    | 3   | FLAT HEAD CAPSCREW                             | DIN 85 M4X12-4.8A3L       |
| 9    | 72317126    | 4   | SERRATED LOCK WASHER                           | DIN 6798 A5,3             |
|      | 72313263    | 3   | NUT  | DIN 934 M4-8A3L           |
|      | 72315050    | 3   | SPLIT WASHER                                   | FWN 65208-4-A3L           |
|      | 72316916    | 4   | CABLE STRAP<br>NOT ILLUSTRATED                 | FWN 66650 B175X4-SW       |
|      | 72317193    | 1   | SECURING CLIP<br>NOT ILLUSTRATED               |                           |

FARMER 304 (158/20001-99999)  
40385



040385

| Item | Part Number | Qty | Description<br>Comments | Technical Specification |
|------|-------------|-----|-------------------------|-------------------------|
| 1    | 72329543    | 1   | HANDLE                  |                         |
| 2    | 72348665    | 1   | STOP CABLE              |                         |
|      |             |     | ><1                     |                         |
|      |             |     | <>                      |                         |
|      | 72313264    | 1   | NUT                     | DIN 934 M5-8A3L         |
|      | 72396326    | 1   | THREADED SOCKET         |                         |
|      | 72355461    | 1   | CONTROL CABLE           |                         |
| 3    | 72392845    | 1   | RETAINER                |                         |
| 4    | 72315820    | 2   | SCREW                   | DIN7976-ST6,3X13-C-A3L  |
| 5    | 72393651    | 1   | REVERSING BOW           |                         |
| 6    | 72315626    | 1   | HEXAGONAL HEAD BOLT     | DIN 933-M6 X 16-8.8-A3L |
| 7    | 72311822    | 1   | DISC                    | DIN9021-6,4-140HV-A3L   |
| 8    | 72315052    | 1   | SPLIT WASHER            | FWN 65208-6-A3L         |
| 9    | 72313266    | 2   | NUT                     | DIN 934 M6-8A3L         |
| 10   | 72311308    | 1   | CLEVIS                  | DIN 71752 G6X24-A3L     |
| 11   | 72310448    | 1   | BOLT                    | FWN 64072 6X24 A3L      |
|      | 72392846    | 1   | SLEEVE                  |                         |
|      |             |     | FOR ENGLAND             |                         |
|      |             |     | NOT ILLUSTRATED         |                         |



**Suggest:**

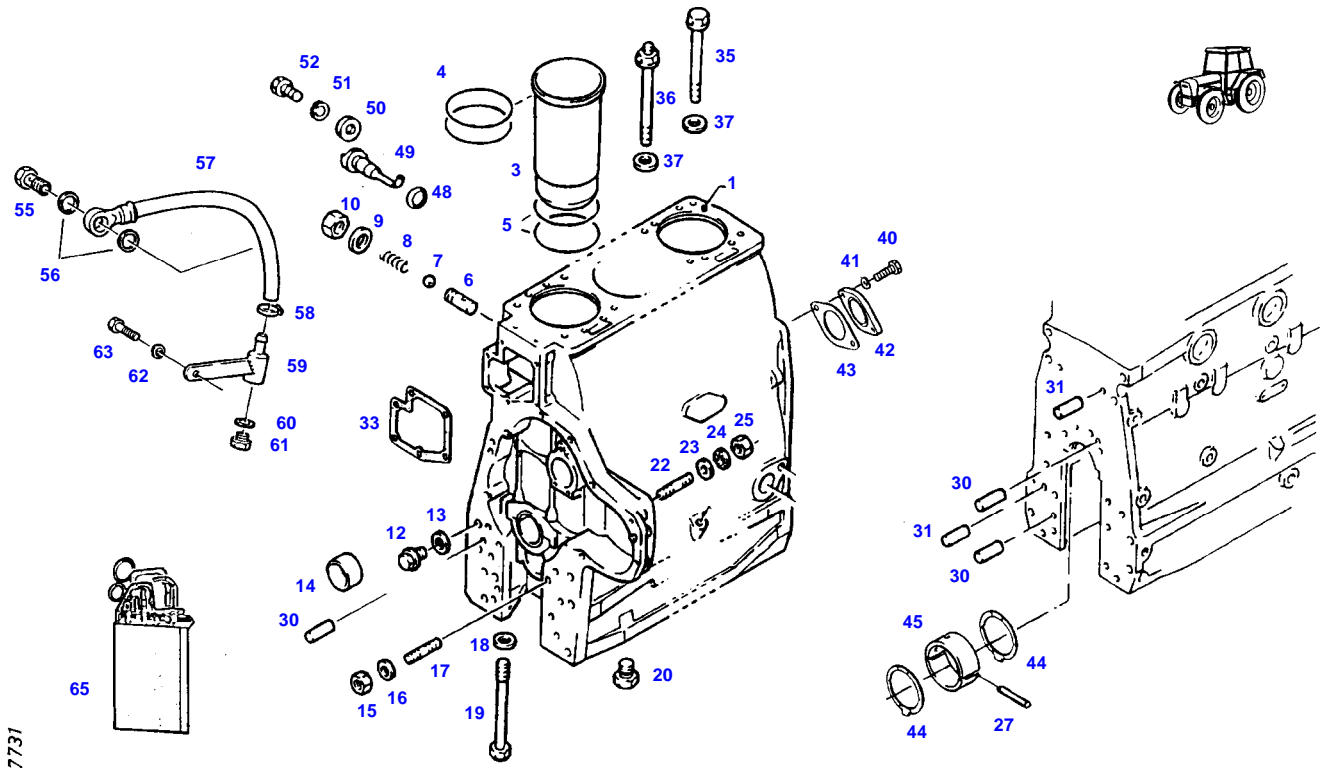
**For more complete manuals. Please go to the home page.**

**<https://www.ebooklibonline.com>**

**If the above button click is invalid. Please download this document first, and then click the above link to download the complete manual.**

**Thank you so much for reading**

FARMER 304 (158/20001-99999)  
7731



7731

| Item | Part Number | Qty | Description<br>Comments  | Technical Specification |
|------|-------------|-----|--------------------------|-------------------------|
|      | 72431059    | 1   | DIESEL ENGINE            |                         |
| 1    | 72329085    | 1   | CRANKCASE<br>><3-27      |                         |
| 3    | 72425044    | 3   | CYLINDER LINER           |                         |
| 4    | 72329541    | 6   | SEAL                     |                         |
| 5    | 72343893    | 6   | SEAL                     |                         |
| 6    | 72341074    | 1   | SCREW PIECE              |                         |
| 7    | 72378872    | 1   | BALL                     | DIN 5401-9,0MM          |
| 8    | 72341075    | 1   | COMPRESSION SPRING       |                         |
| 9    | 72315097    | 1   | SEALING WASHER           | DIN 7603 A16X20-CU      |
| 10   | 72341076    | 1   | CAP NUT                  |                         |
| 12   | 72315436    | 1   | SCREW                    | DIN 908 M10X1-ST A3L    |
| 13   | 72315088    | 1   | SEALING WASHER           | DIN 7603 A10X13,5-CU    |
| 14   | 72329540    | 1   | BUSH                     |                         |
| 15   | 72340921    | 1   | MIDGRIP NUT              |                         |
| 16   | 72340920    | 1   | DISC                     |                         |
| 17   | 72374623    | 1   | STUD BOLT                | DIN 939-M8X25-8.8       |
| 18   | 72324592    | 8   | DISC                     |                         |
| 19   | 72327081    | 8   | HEXAGONAL HEAD BOLT      |                         |
| 20   | 72373972    | 1   | PLUG                     | DIN 910 M16X1,5-ST      |
| 22   | 72313777    | 4   | STUD BOLT                | DIN 939 M10X35-8.8      |
| 23   | 72311789    | 4   | DISC                     | DIN 125-10,5-ST.A3L     |
| 24   | 72315054    | 4   | SPLIT WASHER             | FWN 65208-10-A3L        |
| 25   | 72372811    | 4   | NUT                      | DIN 934 M10-10A3L       |
| 27   | 72375130    | 4   | TENSIONING PIN           | ISO8752-4X8-A-ST-ZNPH   |
| 30   | 72313859    | 4   | CYLINDER PIN             | DIN 7-8M6X18-ST50K      |
| 31   | 72375324    | 2   | CYLINDER PIN             | DIN 7-10M6X28-ST50K     |
| 33   | 72327043    | 1   | MOLDED SEAL              |                         |
| 35   | 72333013    | 10  | SOCKET HEAD BOLT         |                         |
| 36   | 72333014    | 2   | HEXAGONAL HEAD BOLT      |                         |
| 37   | 72324592    | 12  | DISC                     |                         |
| 40   | 72315650    | 2   | HEXAGONAL HEAD BOLT      | DIN 933 M8 X 20-8.8A3L  |
| 41   | 72315053    | 2   | SPLIT WASHER             | FWN 65208-8-A3L         |
| 42   | 72343896    | 1   | COVER                    |                         |
| 43   | 72333001    | 1   | SEAL                     |                         |
| 44   | 72343910    | 2   | THRUST RING<br>70,00 MM  |                         |
|      | 72343911    | 2   | THRUST RING<br>69,79 MM  |                         |
|      | 72343912    | 2   | THRUST RING<br>69,54 MM  |                         |
|      | 72343913    | 2   | THRUST RING<br>69,04 MM  |                         |
| 45   | 72341078    | 4   | MAIN BEARING<br>70,00 MM |                         |
|      | 72341079    | 4   | MAIN BEARING<br>69,79 MM |                         |
|      | 72341080    | 4   | MAIN BEARING<br>69,54 MM |                         |
|      | 72341081    | 4   | MAIN BEARING<br>69,29 MM |                         |
|      | 72341082    | 4   | MAIN BEARING<br>69,04 MM |                         |
| 48   | 72376423    | 3   | O-RING                   | 14X3-NBR 70 FWN56402    |
| 49   | 72334018    | 3   | NOZZLE                   |                         |
| 50   | 72334019    | 3   | DISC                     |                         |
| 51   | 72315053    | 3   | SPLIT WASHER             | FWN 65208-8-A3L         |
| 52   | 72315642    | 3   | HEXAGONAL HEAD BOLT      | DIN 933 M8 X 16-8.8A3L  |
| 55   | 72315808    | 1   | BANJO BOLT               | DIN 7643-10-3-A3L       |
| 56   | 72315094    | 2   | SEALING WASHER           | DIN 7603 A14X18-CU      |
| 57   | 72313976    | 1   | COOLING WATER DRAIN LINE |                         |
| 58   | 72438345    | 1   | HOSE CLIP                |                         |
| 59   | 72355704    | 1   | HOSE RETAINER            |                         |
| 60   | 72315088    | 1   | SEALING WASHER           | DIN 7603 A10X13,5-CU    |
| 61   | 72315436    | 1   | SCREW                    | DIN 908 M10X1-ST A3L    |
| 62   | 72315053    | 1   | SPLIT WASHER             | FWN 65208-8-A3L         |

**<https://www.ebooklibonline.com>**

Hello dear friend!

Thank you very much for reading.

Enter the link into your browser.

The full manual is available for immediate download.

**<https://www.ebooklibonline.com>**