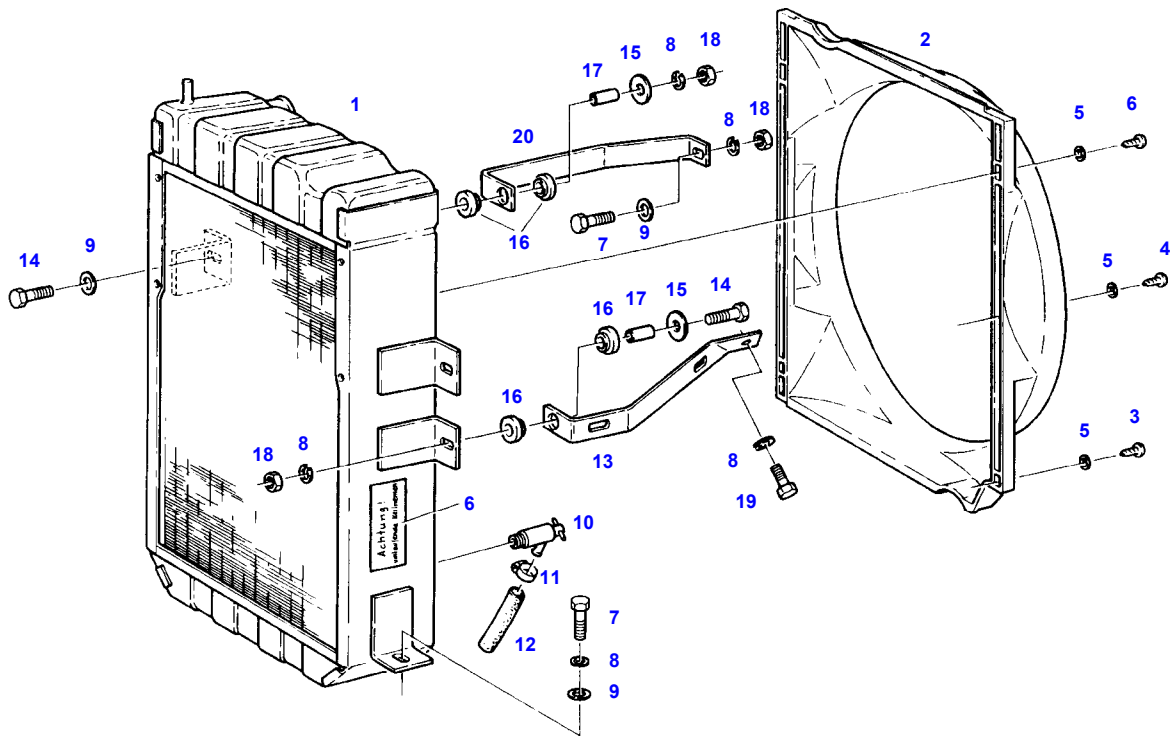


TABLE OF CONTENT

Page Number	Page Title	Page Reference
01-000-TOC	ENGINE, FUEL AND EXHAUST SYSTEM	01-000-TOC
02-000-TOC	AXLES	02-000-TOC
03-000-TOC	STEERING SYSTEM	03-000-TOC
04-000-TOC	DRIVE TRAIN SYSTEM	04-000-TOC
05-000-TOC	COMPRESSED AIR SYSTEM	05-000-TOC
06-000-TOC	HYDRAULIC SYSTEM	06-000-TOC
07-000-TOC	ELECTRICAL SYSTEM	07-000-TOC
08-000-TOC	CAB	08-000-TOC
09-000-TOC	AIR CONDITIONING AND HEATING SYSTEM	09-000-TOC
10-000-TOC	CHASSIS	10-000-TOC
11-000-TOC	WHEELS	11-000-TOC
12-000-TOC	IMPLEMENT LIFT SYSTEM FRONT	12-000-TOC
13-000-TOC	IMPLEMENT LIFT SYSTEM REAR	13-000-TOC
14-000-TOC	FRONT/REAR LOADERS	14-000-TOC
15-000-TOC	ATTACHMENTS	15-000-TOC
16-000-TOC	ACCESSORIES	16-000-TOC

FARMER 304 (158/03501-20000)
4101



4101

Item	Part Number	Qty	Description Comments	Technical Specification
			RANGE OF TEMPERATURE 2+2 WITH AIR BRAKE SUPPLY EQUIPEMENT DRUCKLUFT RANGE OF TEMPERATURE 1+2 WITH AIR CONDITION <-- 158/3801	
1	72348232	1	RADIATOR <-- G186.205.050.010 1X <>	
	72400314	1	BUSH	
	72315663	1	HEXAGONAL HEAD BOLT	DIN 933 M8X40-8.8A3L
	72395450	1	BRACKET	
2	72393668	1	FAN COVER	
3	72315818	4	SCREW	DIN7976-ST4,2X25-C-A3L
4	72315787	2	SCREW	DIN 7981 B4,2X16-A3L
5	72311817	6	DISC	DIN9021-4,3-140HV-A3L
6	72386100	2	WARNING SIGN D	
	72388085	2	WARNING SIGN GB	
	72388086	2	WARNING SIGN F	
	72388087	2	WARNING SIGN I	
	72388088	2	WARNING SIGN E	
7	72315650	3	HEXAGONAL HEAD BOLT	DIN 933 M8 X 20-8.8A3L
8	72315053	6	SPLIT WASHER	FWN 65208-8-A3L
9	72311788	4	DISC	DIN 125-8,4-ST.A3L
10	72378063	1	RELIEF VALVE	DIN71401-CM14X1,5KEG
11	72438345	1	HOSE CLIP	
12	72389310	1	HOSE	
13	72395409	1	BRACE	
14	72315660	1	HEXAGONAL HEAD BOLT	DIN 933 M8X35-8.8A3L
15	72311888	2	DISC	
16	72312479	4	UNIVERSAL SPOUT	
17	72310718	2	BUSH	
18	72313268	4	NUT	DIN 934 M8-8A3L
19	72315653	1	HEXAGONAL HEAD BOLT	DIN 933 M8 X 25-8.8A3L
20	72393671	1	BRACE	

<https://www.ebooklibonline.com>

Hello dear friend!

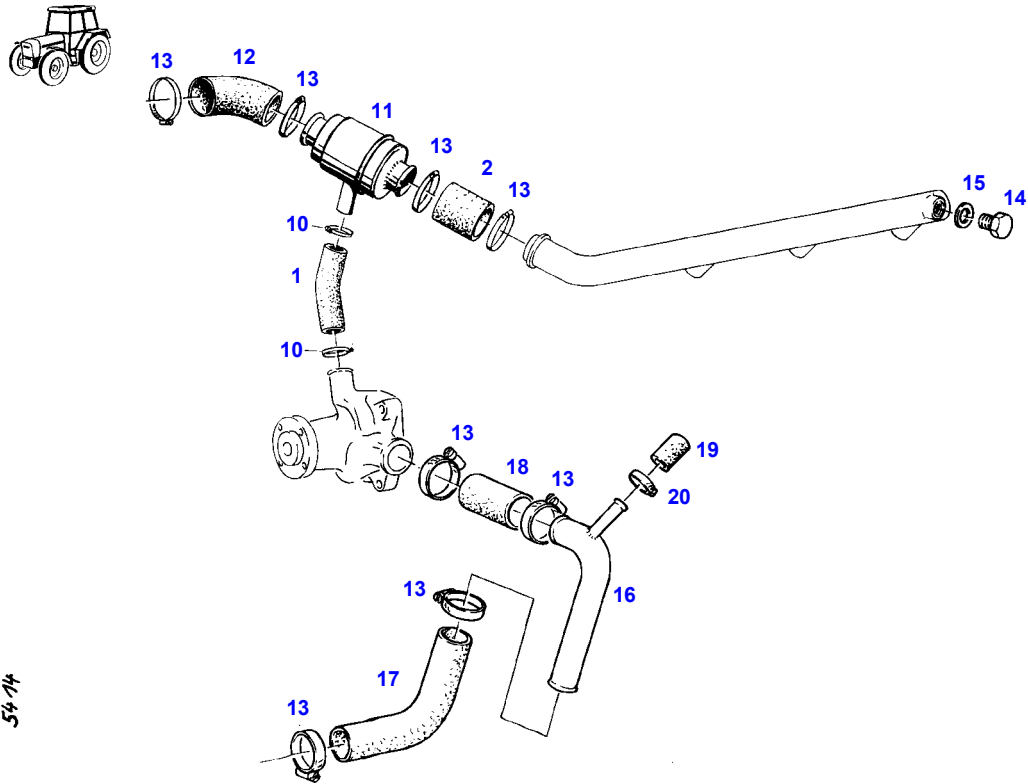
Thank you very much for reading.

Enter the link into your browser.

The full manual is available for immediate download.

<https://www.ebooklibonline.com>

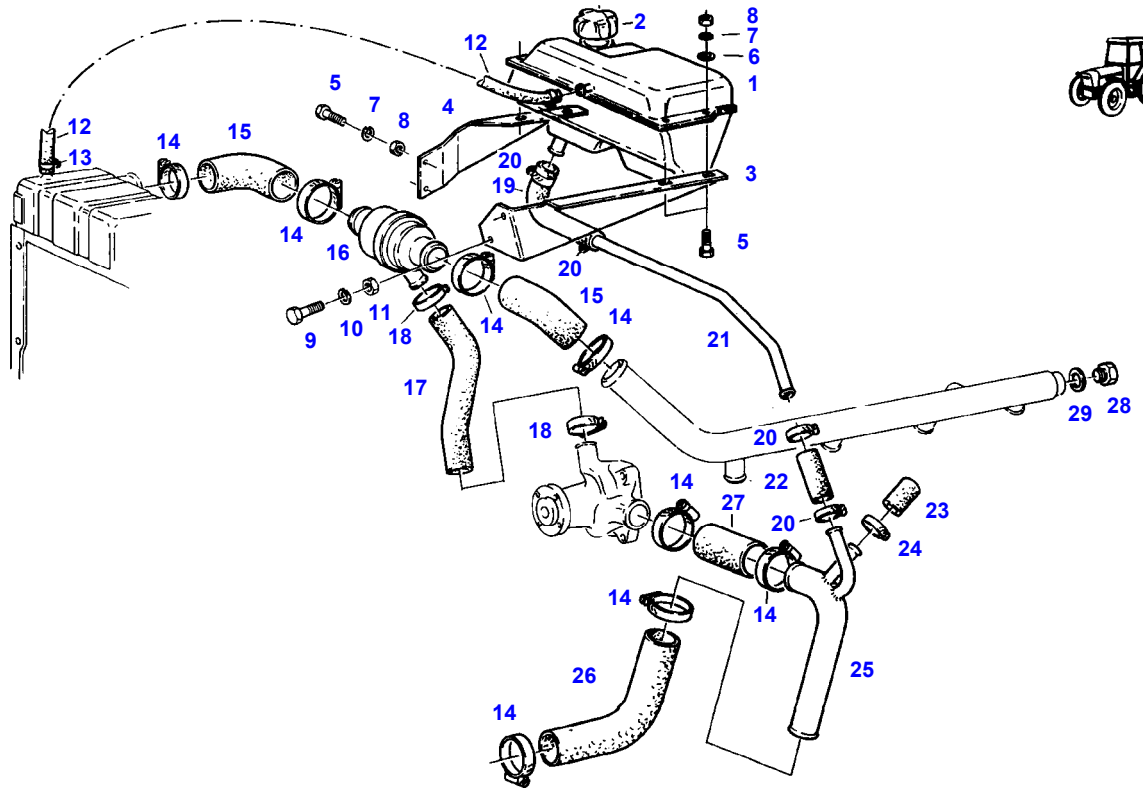
FARMER 304 (158/03501-20000)
5414



5414

Item	Part Number	Qty	Description Comments	Technical Specification
			--> 158/3800	
1	72393670	1	RUBBER ARCH	
2	72450416	1	HOSE 1X 45MM CUT TO LENGTH	L=120 DIN73411-35X
10	72311167	2	HOSE CLIP	
11	72380193	1	THERMOSTAT	75GR+-2GR
12	72393666	1	RUBBER ARCH	
13	72311162	8	HOSE CLIP	
14	72315802	1	SCREW	DIN 7604 AM22X1,5-ST
15	72315101	1	SEALING WASHER	DIN 7603 A22X27-CU
16	72356702	1	SUCTION LINE	
17	72395412	1	RUBBER ARCH	
18	72393672	1	REDUCER	
19	72404925	1	CAP	
20	72311166	1	HOSE CLIP	

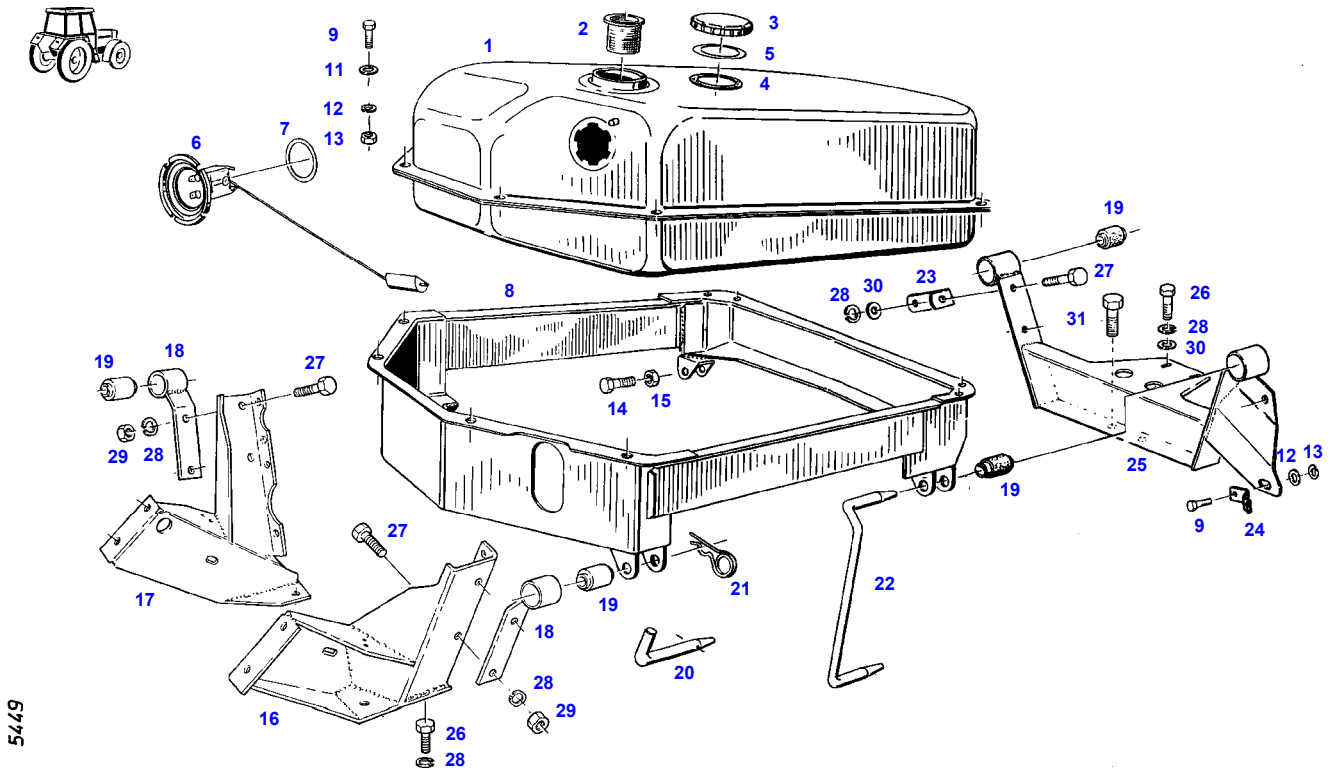
FARMER 304 (158/03501-20000)
5400



5400

Item	Part Number	Qty	Description Comments	Technical Specification
			<-- 158/3801	
1	72316897	1	EXPANSION TANK <>	
2	72348672	1	COLLER LOCKING	
3	72392828	1	RETAINER	
4	72392829	1	RETAINER	
5	72315631	6	HEXAGONAL HEAD BOLT	DIN 933 M6 X 20-8.8A3L
6	72311822	4	DISC	DIN9021-6,4-140HV-A3L
7	72315052	6	SPLIT WASHER	FWN 65208-6-A3L
8	72313266	6	NUT	DIN 934 M6-8A3L
9	72315642	1	HEXAGONAL HEAD BOLT	DIN 933 M8 X 16-8.8A3L
10	72315053	1	SPLIT WASHER	FWN 65208-8-A3L
11	72313268	1	NUT	DIN 934 M8-8A3L
12	72622024	1	PRESSURE HOSE 185 MM CUT TO LENGTH	L=0,50M 8X3,5-FWN65911
13	72438345	2	HOSE CLIP	
14	72311162	8	HOSE CLIP	
15	72392831	2	RUBBER ARCH	
16	72380193	1	THERMOSTAT	75GR+-2GR
17	72392832	1	RUBBER ARCH	
18	72311167	2	HOSE CLIP	
19	72435869	1	RUBBER ARCH	
20	72311166	4	HOSE CLIP	
21	72392830	1	PIPE	
22	72450412	1	HOSE 50 MM CUT TO LENGTH	L=1000 18X3,5 R DIN 73411
23	72404925	1	CAP	
24	72311166	1	HOSE CLIP	
25	72357308	1	SUCTION LINE	
26	72395412	1	RUBBER ARCH	
27	72393672	1	REDUCER	
28	72315802	1	SCREW	DIN 7604 AM22X1,5-ST
29	72315101	1	SEALING WASHER	DIN 7603 A22X27-CU

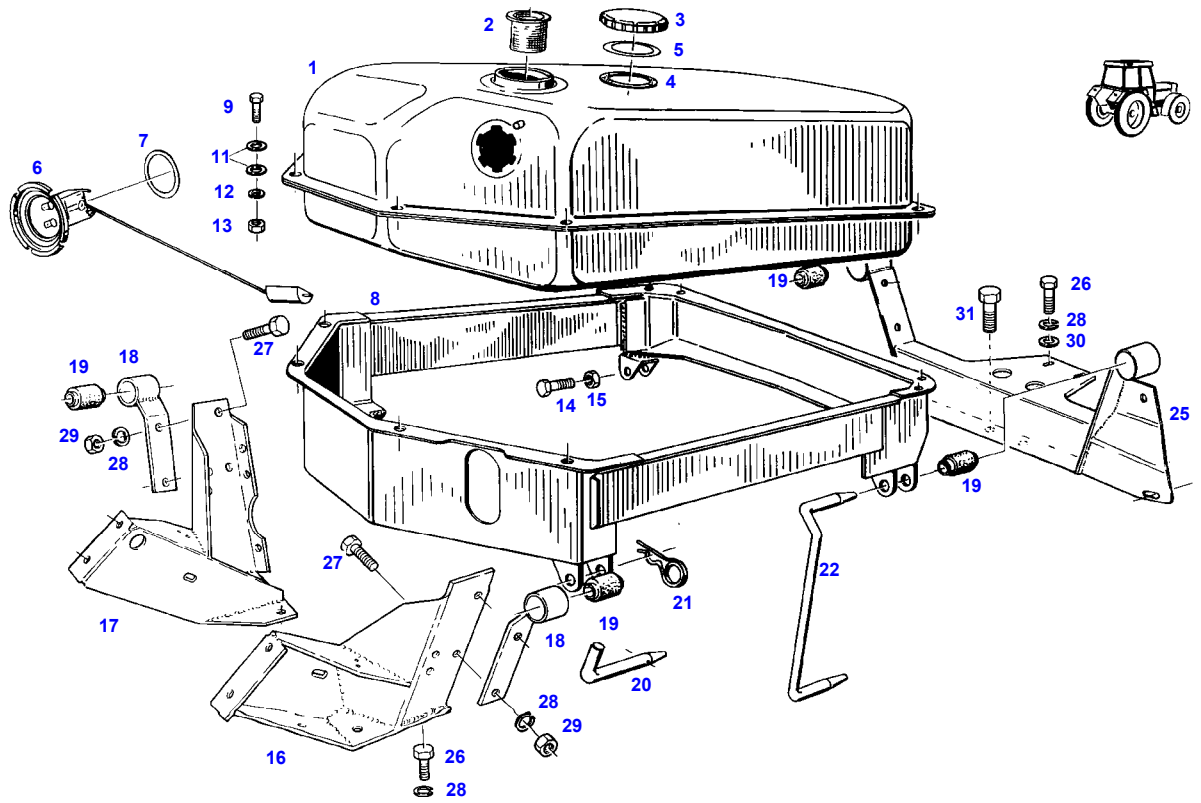
FARMER 304 (158/03501-20000)
5449



Item	Part Number	Qty	Description Comments	Technical Specification
			--> 158/3800	
1	72348236	1	FUEL TANK <>	
	72348556	1	FUEL LEVEL SENSOR	
2	72433112	1	STRAINER	60X100-MS
3	72380143	1	FUEL CAP KOEHLER ><4	M.BELUEF
	72348297	1	FUEL CAP LOCKABLE BLAU ><4-5	
4	72330725	1	SEAL BLAU 2,5MM	
	72312304	1	RUBBER SEAL KOEHLER	
5	72330726	1	SEAL BLAU 0,5MM	
6	72613041	1	FUEL LEVEL SENSOR ><6+7	
7	72315169	1	SEALING WASHER	
8	72355536	1	TANK FRAME	
9	72315626	9	HEXAGONAL HEAD BOLT	DIN 933-M6 X 16-8.8-A3L
11	72311822	16	DISC	DIN9021-6,4-140HV-A3L
12	72315052	9	SPLIT WASHER	FWN 65208-6-A3L
13	72313266	9	NUT	DIN 934 M6-8A3L
14	72315719	2	HEXAGONAL HEAD BOLT	DIN 933 M12X60-8.8A3L
15	72313325	2	NUT	DIN 980-VM12-8-A3L
16	72355441	1	BRACKET	
17	72355440	1	BRACKET	
18	72356758	2	SUPPORT ARM	
19	72310644	4	RUBBER BUSHING	
20	72404932	1	BEARING PIN	
21	72311183	1	HAIR COTTER PIN	DIN 11024-4-A3L
22	72393676	1	BEARING PIN	
23	72393683	1	ANGLE	
24	72393680	1	LEAF SPRING	
25	72355727	1	CROSSMEMBER	
26	72315642	8	HEXAGONAL HEAD BOLT	DIN 933 M8 X 16-8.8A3L
27	72315653	5	HEXAGONAL HEAD BOLT	DIN 933 M8 X 25-8.8A3L
28	72315053	13	SPLIT WASHER	FWN 65208-8-A3L
29	72313268	4	NUT	DIN 934 M8-8A3L
30	72311788	3	DISC	DIN 125-8,4-ST.A3L
31	72315675	2	HEXAGONAL HEAD BOLT	DIN 933 M10X16-8.8A3L

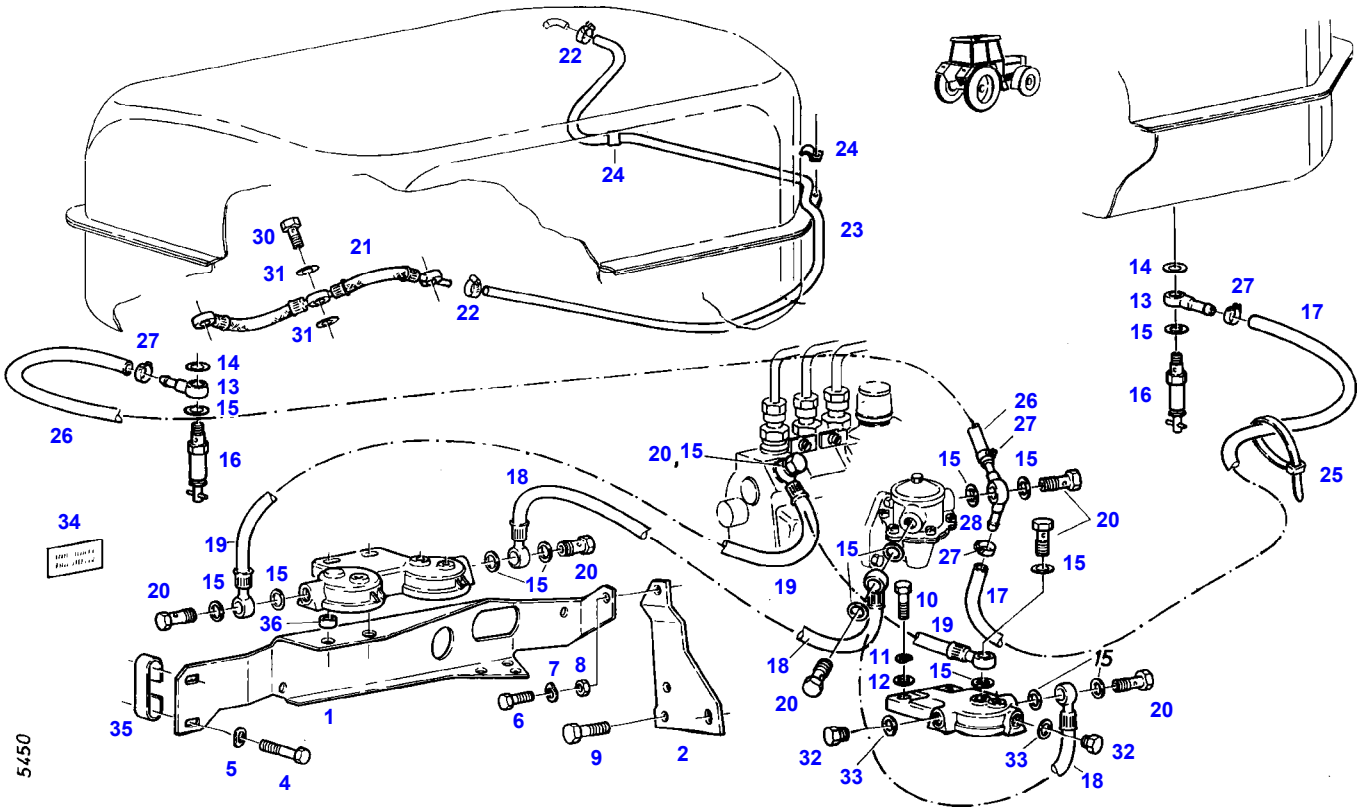
FARMER 304 (158/03501-20000)
5179

5179



Item	Part Number	Qty	Description Comments	Technical Specification
			<-- 158/3801	
1	72348236	1	FUEL TANK <>	
	72348556	1	FUEL LEVEL SENSOR	
2	72433112	1	STRAINER	60X100-MS
3	72380143	1	FUEL CAP KOEHLER ><4	M.BELUEF
	72348297	1	FUEL CAP LOCKABLE BLAU ><4+5	
4	72330725	1	SEAL BLAU	
	72312304	1	RUBBER SEAL KOEHLER	
5	72330726	1	SEAL BLAU	
6	72613041	1	FUEL LEVEL SENSOR ><7	
7	72315169	1	SEALING WASHER	
8	72355536	1	TANK FRAME	
9	72315626	8	HEXAGONAL HEAD BOLT	DIN 933-M6 X 16-8.8-A3L
11	72311822	16	DISC	DIN9021-6,4-140HV-A3L
12	72315052	8	SPLIT WASHER	FWN 65208-6-A3L
13	72313266	8	NUT	DIN 934 M6-8A3L
14	72315719	2	HEXAGONAL HEAD BOLT	DIN 933 M12X60-8.8A3L
15	72313325	2	NUT	DIN 980-VM12-8-A3L
16	72355440	1	BRACKET	
17	72355441	1	BRACKET	
18	72356758	2	SUPPORT ARM	
19	72310644	4	RUBBER BUSHING	
20	72404932	2	BEARING PIN	
21	72311183	2	HAIR COTTER PIN	DIN 11024-4-A3L
22	72393676	1	BEARING PIN	
25	72355727	1	CROSSMEMBER	
26	72315642	8	HEXAGONAL HEAD BOLT	DIN 933 M8 X 16-8.8A3L
27	72315653	4	HEXAGONAL HEAD BOLT	DIN 933 M8 X 25-8.8A3L
28	72315053	12	SPLIT WASHER	FWN 65208-8-A3L
29	72313268	4	NUT	DIN 934 M8-8A3L
30	72311788	2	DISC	DIN 125-8,4-ST.A3L
31	72315675	2	HEXAGONAL HEAD BOLT	DIN 933 M10X16-8.8A3L

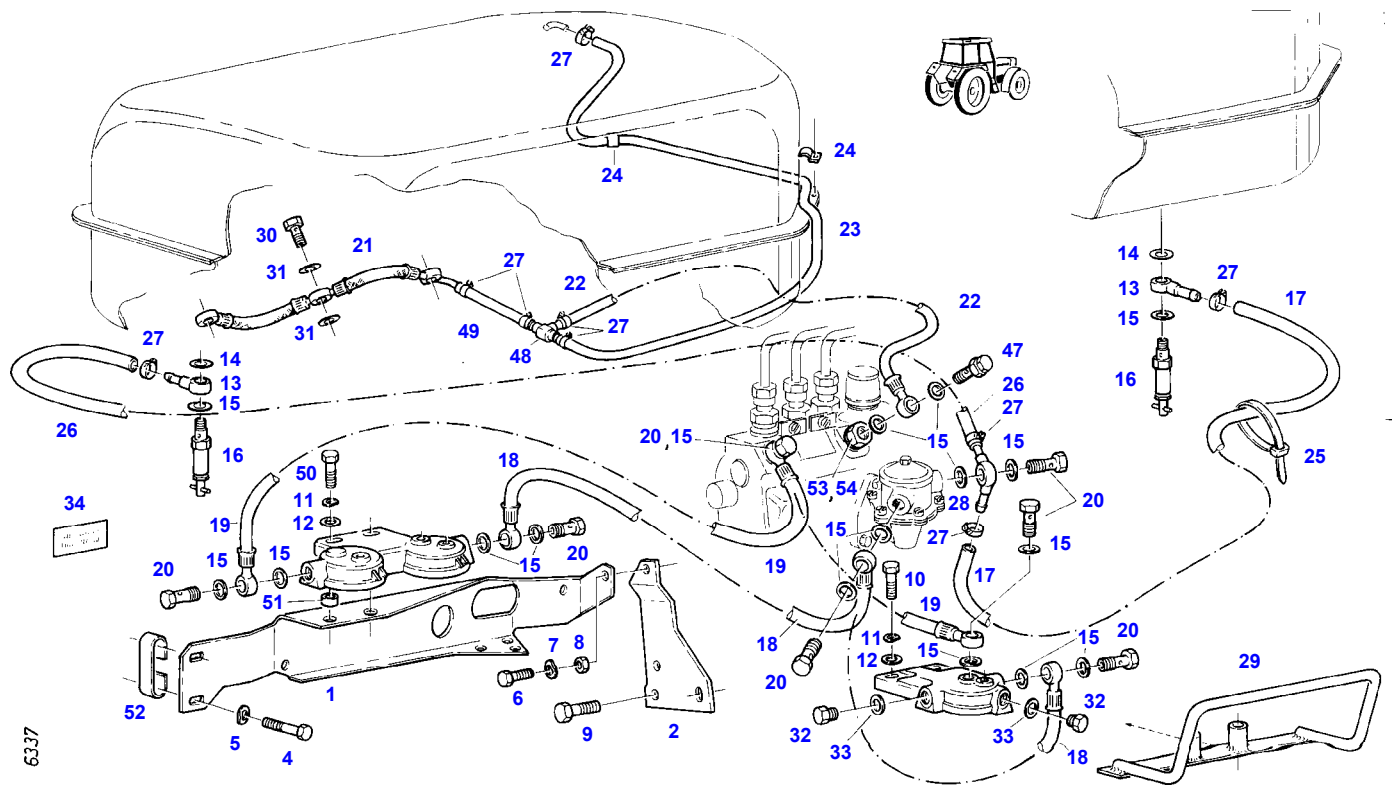
FARMER 304 (158/03501-20000)
5450



5450

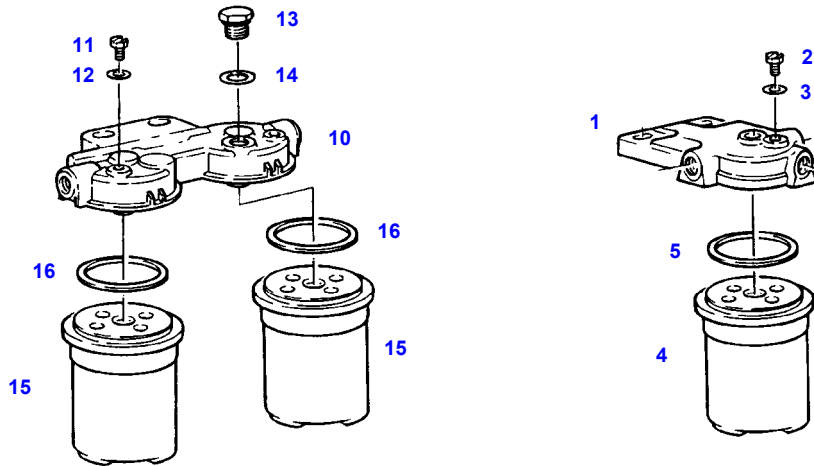
Item	Part Number	Qty	Description Comments	Technical Specification
			--> 158/3800	
1	72354920	1	FILTER RETAINER	
2	72393679	1	RETAINING SHEET METAL	
4	72315689	1	HEXAGONAL HEAD BOLT	DIN 933 M10X35-8.8A3L
	72315691	1	HEXAGONAL HEAD BOLT	DIN 933 M10X40-8.8A3L
5	72317122	2	SPRING WASHER	DIN 137 B10-MECH.VZK
6	72315642	1	HEXAGONAL HEAD BOLT	DIN 933 M8 X 16-8.8A3L
7	72315053	1	SPLIT WASHER	FWN 65208-8-A3L
8	72313268	1	NUT	DIN 934 M8-8A3L
9	72374490	2	HEXAGONAL HEAD BOLT	DIN 933 M14X20-8.8
10	72315547	2	HEXAGONAL HEAD BOLT	DIN 931 M10X60-8.8A3L
	72315681	2	HEXAGONAL HEAD BOLT	DIN 933 M10X25-8.8A3L
11	72315054	2	SPLIT WASHER	FWN 65208-10-A3L
12	72311789	2	DISC	DIN 125-10,5-ST.A3L
13	72377531	2	RING HOSE NIPPLE	FWN65910-A-DN8
14	72315093	2	SEALING WASHER	DIN 7603 A12X18-CU
15	72315095	12	SEALING WASHER	DIN 7603 A14X20-CU
16	72380159	2	FUEL SHUT-OFF VALVE	
17	72450303	1	PRESSURE HOSE 980 MM CUT TO LENGTH	L=1000
18	72356760	1	FUEL LINE	
19	72355537	1	FUEL LINE	
20	72315808	5	BANJO BOLT	DIN 7643-10-3-A3L
21	72334904	1	LEAKAGE OIL LINE	
22	72438345	4	HOSE CLIP	
23	72378086	1	PRESSURE HOSE	FWN 66041-P4
24	72398941	2	FASTENING COLLAR	
25	72316916	2	CABLE STRAP	FWN 66650 B175X4-SW
26	72450303	1	PRESSURE HOSE 880 MM CUT TO LENGTH	L=1000
27	72438345	2	HOSE CLIP	
28	72377533	1	DOUBLE NIPPLE	FWN65910-DN8-120GR
30	72315809	3	BANJO BOLT	DIN 7643-4-5-A3L
31	72315086	6	SEALING WASHER	DIN 7603 A8X11,5-CU
32	72315799	2	PLUG	DIN 7604 AM14X1,5-A3L
33	72315095	2	SEALING WASHER	DIN 7603 A14X20-CU
34	72393682	1	MARKING PLATE ARABIAN-ENGLISH	
35	72399913	1	HOLDER	
36	72310738	2	BUSH	

FARMER 304 (158/03501-20000)
6337



Item	Part Number	Qty	Description Comments	Technical Specification
			<-- 158/3801	
1	72354920	1	FILTER RETAINER	
2	72393679	1	RETAINING SHEET METAL	
4	72315691	1	HEXAGONAL HEAD BOLT	DIN 933 M10X40-8.8A3L
	72315689	1	HEXAGONAL HEAD BOLT	DIN 933 M10X35-8.8A3L
5	72317122	2	SPRING WASHER	DIN 137 B10-MECH.VZK
6	72315642	1	HEXAGONAL HEAD BOLT	DIN 933 M8 X 16-8.8A3L
7	72315053	1	SPLIT WASHER	FWN 65208-8-A3L
8	72313268	1	NUT	DIN 934 M8-8A3L
9	72374490	2	HEXAGONAL HEAD BOLT	DIN 933 M14X20-8.8
	72374493	2	HEXAGONAL HEAD BOLT	DIN 933 M14X30-8.8
10	72315547	2	HEXAGONAL HEAD BOLT	DIN 931 M10X60-8.8A3L
	72315681	2	HEXAGONAL HEAD BOLT	DIN 933 M10X25-8.8A3L
11	72315054	2	SPLIT WASHER	FWN 65208-10-A3L
12	72311789	2	DISC	DIN 125-10,5-ST.A3L
13	72377531	2	RING HOSE NIPPLE	FWN65910-A-DN8
14	72315093	2	SEALING WASHER	DIN 7603 A12X18-CU
15	72315095	14	SEALING WASHER	DIN 7603 A14X20-CU
16	72380159	2	FUEL SHUT-OFF VALVE	
17	72450303	1	PRESSURE HOSE 980 MM CUT TO LENGTH	L=1000
18	72356760	1	FUEL LINE	
19	72355537	1	FUEL LINE	
20	72315808	4	BANJO BOLT	DIN 7643-10-3-A3L
21	72329530	1	LEAKAGE OIL LINE	
22	72356761	1	FUEL LINE	
23	72378086	-	PRESSURE HOSE	FWN 66041-P4
24	72398941	2	FASTENING COLLAR	
25	72316916	3	CABLE STRAP	FWN 66650 B175X4-SW
26	72450303	1	PRESSURE HOSE 880 MM CUT TO LENGTH	L=1000
27	72438345	4	HOSE CLIP	
	72438345	5	HOSE CLIP	
28	72377533	1	DOUBLE NIPPLE	FWN65910-DN8-120GR
29	72355462	1	HOLDER	
30			NOT USED	
31			NOT USED	
32	72315799	2	PLUG	DIN 7604 AM14X1,5-A3L
33	72315095	2	SEALING WASHER	DIN 7603 A14X20-CU
34	72393682	1	MARKING PLATE ARABIAN-ENGLISH	
47	72380268	1	BLEED AND DRAIN VALVE	
48	72380023	1	TEE FITTING	
49	72450301	1	PRESSURE HOSE 150 MM CUT TO LENGTH	L=1000
51	72310738	2	BUSH	
52	72399913	1	HOLDER	
53			NOT USED	
54			NOT USED	

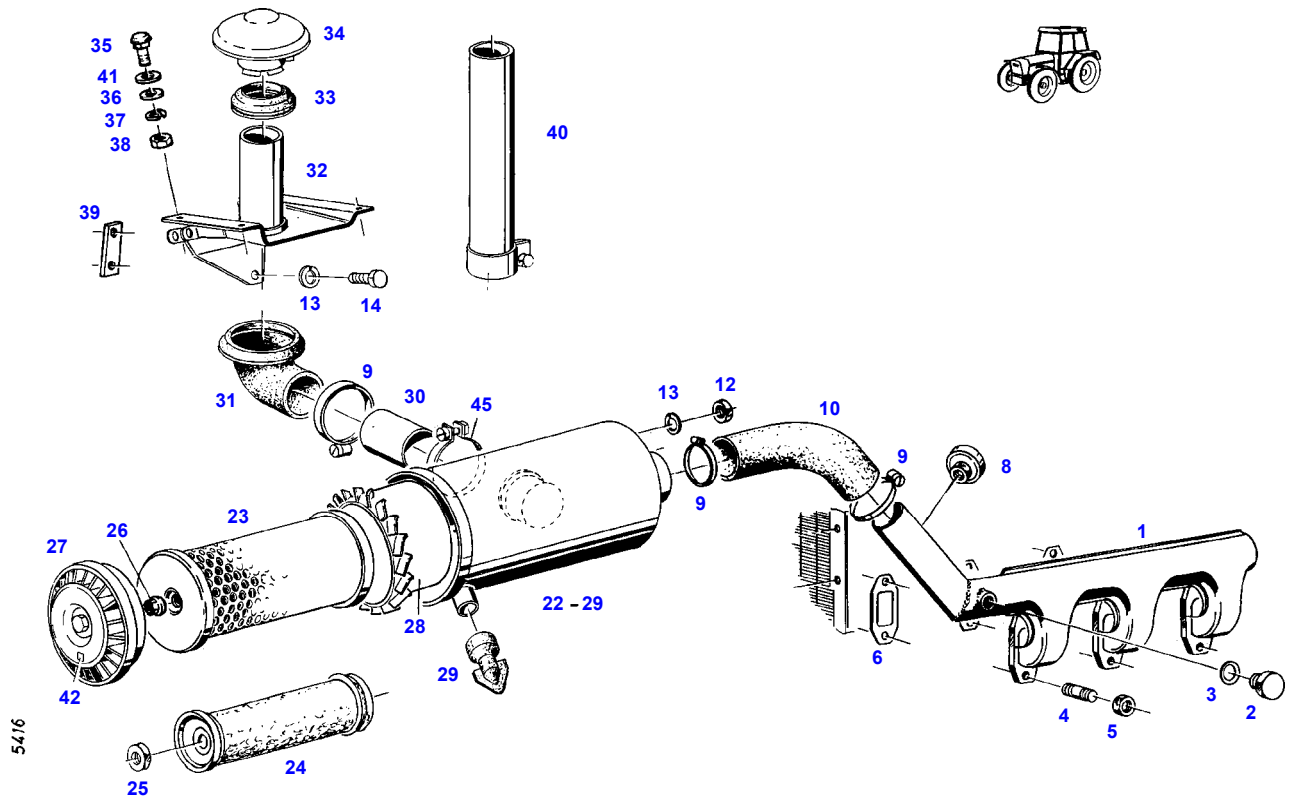
FARMER 304 (158/03501-20000)
4952



4952

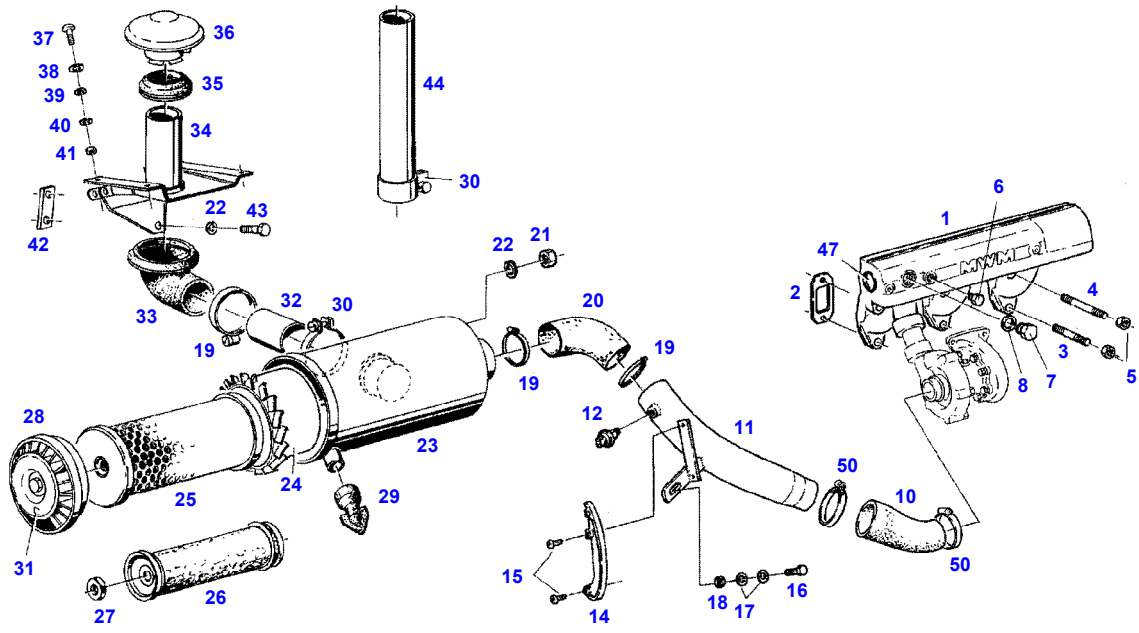
Item	Part Number	Qty	Description Comments	Technical Specification
1	72615599	1	FILTER LID ><2,3	
2	72323290	1	BLEED SCREW	
3	72315084	1	SEALING WASHER	DIN 7603 A6X10-CU
4	72416928	1	FILTER BOX ><5	
5	72314995	1	RUBBER RING PARALLEL-FILTER	
10	72380173	1	PARALLEL FILTER BOSCH ><11-16 <-- X810.190.166.000 1X <>	
	72416928	2	FILTER BOX	
	72451307	1	COVER KNECHT ><11-12 <>	PARALLELFILT.
	72416928	2	FILTER BOX	
11	72323290	2	BLEED SCREW BOSCH	
	72314699	2	BLEED SCREW KNECHT	
12	72315084	2	SEALING WASHER BOSCH	DIN 7603 A6X10-CU
	72315086	2	SEALING WASHER KNECHT	DIN 7603 A8X11,5-CU
13	72326250	1	SCREW BOSCH	
14	72315095	1	SEALING WASHER BOSCH	DIN 7603 A14X20-CU
15	72416928	2	FILTER BOX ><16	
16	72314995	2	RUBBER RING	

FARMER 304 (158/03501-20000)
5416



Item	Part Number	Qty	Description Comments	Technical Specification
			PICLON --> 158/3800	
1	72354921	1	INTAKE MANIFOLD	
	72354922	1	INTAKE MANIFOLD AIR BRAKING SYSTEM	
2	72373975	1	SCREW	DIN 910 M20X1,5-ST
3	72376031	1	SEALING WASHER	DIN 7603 A20X24-CU
4	72373922	6	STUD BOLT	DIN 835-M10X25-8.8
5	72373015	6	NUT	DIN70615-M10-8-A3B
6	72332145	3	MOLDED SEAL	
8	72316876	1	MAINTENANCE SWITCH	
9	72373528	3	HOSE CLIP	
10	72393689	1	RUBBER ARCH	
12	72313268	4	NUT	DIN 934 M8-8A3L
13	72315053	6	SPLIT WASHER	FWN 65208-8-A3L
14	72315645	2	HEXAGONAL HEAD BOLT	DIN 933 M8 X 12-8.8A3L
22	72348100	1	AIR FILTER ><22-29	
23	72329734	1	MICRO-TOP CARTRIDGE	
24	72329735	1	SAFETY CARTRIDGE	
25	72372827	1	NUT	DIN 934 M16X1,5-10A3L
26	72339030	1	COLLAR NUT	
27	72329736	1	FLOOR	
28	72329111	1	DIFFUSER	
29	72326122	1	DUST DISCHARGE VALVE	
30	72393687	1	CONNECTING PIPE	
31	72393688	1	BELLOWS	
32	72355730	1	AIR INTAKE	
33	72393690	1	SEALING RING	
34	72330730	1	RAIN CAP	
35	72373806	4	TRUSS HEAD SCREW	DIN 603 M6X16-A3L
36	72311788	4	DISC	DIN 125-8,4-ST.A3L
37	72315052	4	SPLIT WASHER	FWN 65208-6-A3L
38	72313266	4	NUT	DIN 934 M6-8A3L
39	72393790	1	THREADED PLATE	
40	72384104	1	CONNECTING PIPE	
41	72311787	4	DISC	DIN 125-6,4-ST.A3L
42	72391711	1	ABSORPTION INDICATOR	
45	72329737	1	PIPE CLAMP <-- X458.648.500.000	

FARMER 304 (158/03501-20000)
F060726

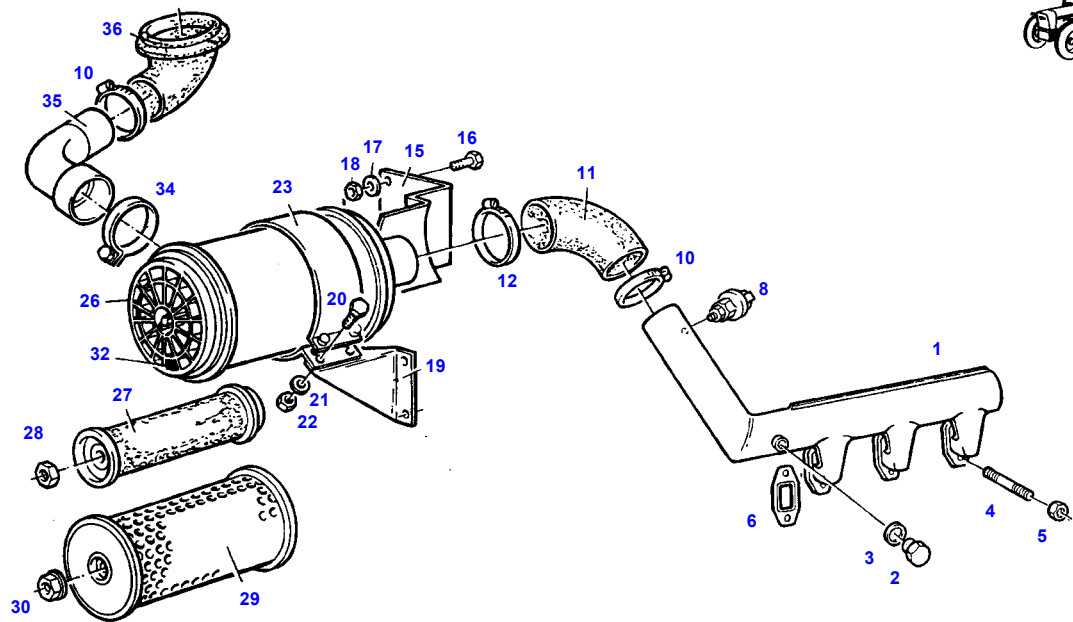


F060726



Item	Part Number	Qty	Description Comments	Technical Specification
			PICLON <-- 158/3801	
1	72392836	1	INTAKE MANIFOLD	
2	72332145	3	MOLDED SEAL	
3	72374648	3	STUD BOLT	DIN 939 M10X40-10.9
4	72374654	3	STUD BOLT	DIN 939 M10X70-10.9
5	72373015	6	NUT	DIN70615-M10-8-A3B
6	72315433	1	SCREW	DIN 906 M14X1,5-ST
7	72373975	1	SCREW	DIN 910 M20X1,5-ST
8	72376031	1	SEALING WASHER	DIN 7603 A20X24-CU
9	72311170	1	HOSE CLIP	
10	72392837	1	RUBBER ARCH	
			<>	
	72492958	1	HOSE CLIP	59-83
11	72355443	1	INTAKE MANIFOLD	
	72420664	1	BOLT	
			AIR BRAKING SYSTEM	
	72436024	1	HOSE	L=920 DIN73411-15X3,5 R
			AIR BRAKING SYSTEM	
			1X 50MM	
	72311166	2	HOSE CLIP	
			AIR BRAKING SYSTEM	
12	72316876	1	MAINTENANCE SWITCH	
			MANN & HUMMEL	
	72379896	1	MAINTENANCE SWITCH	
			KNECHT	
14	72395417	1	SKID	
15	72315814	2	SCREW	DIN7976-ST4,8X16-F-A3L
16	72315630	1	HEXAGONAL HEAD BOLT	DIN 933 M6X18-8.8A3L
17	72311787	2	DISC	DIN 125-6,4-ST.A3L
18	72313318	1	NUT	DIN6925-M6-8-A3L
19	72373528	4	HOSE CLIP	
20	72395414	1	RUBBER ARCH	
21	72313268	4	NUT	DIN 934 M8-8A3L
22	72315053	6	SPLIT WASHER	FWN 65208-8-A3L
23	72348100	1	AIR FILTER	
			><23-30	
			NOT AVAILABLE IN SINGLE PARTS	
24	72329111	1	DIFFUSER	
25	72329734	1	MICRO-TOP CARTRIDGE	
26	72329735	1	SAFETY CARTRIDGE	
27	72372827	1	NUT	DIN 934 M16X1,5-10A3L
28	72329736	1	FLOOR	
			><29	
29	72326122	1	DUST DISCHARGE VALVE	
30	72329737	1	PIPE CLAMP	
			<-- X458.648.500.000	
32	72393687	1	CONNECTING PIPE	
33	72393688	1	BELLOWS	
34	72355730	1	AIR INTAKE	
35	72393690	1	SEALING RING	
36	72330730	1	RAIN CAP	
37	72373806	4	TRUSS HEAD SCREW	DIN 603 M6X16-A3L
38	72311788	4	DISC	DIN 125-8,4-ST.A3L
39	72311787	4	DISC	DIN 125-6,4-ST.A3L
40	72315052	4	SPLIT WASHER	FWN 65208-6-A3L
41	72313266	4	NUT	DIN 934 M6-8A3L
42	72393790	1	THREADED PLATE	
43	72315645	2	HEXAGONAL HEAD BOLT	DIN 933 M8 X 12-8.8A3L
44	72384104	1	CONNECTING PIPE	
47	72377222	2	COVER	DIN 443-40
50	72492958	1	HOSE CLIP	59-83

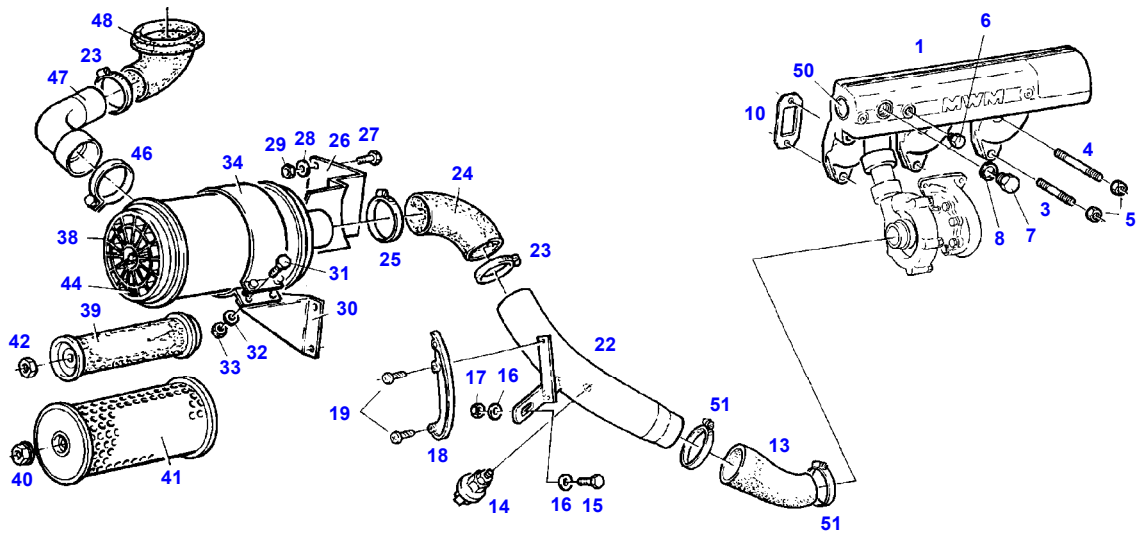
FARMER 304 (158/03501-20000)
5973



5973

Item	Part Number	Qty	Description Comments	Technical Specification
			PICO <--158/3710 --> 158/3800	
1	72354921	1	INTAKE MANIFOLD	
	72354922	1	INTAKE MANIFOLD AIR BRAKING SYSTEM	
2	72373975	1	SCREW	DIN 910 M20X1,5-ST
3	72376031	1	SEALING WASHER	DIN 7603 A20X24-CU
4	72373922	6	STUD BOLT	DIN 835-M10X25-8.8
5	72373015	6	NUT	DIN70615-M10-8-A3B
6	72332145	3	MOLDED SEAL	
8	72316876	1	MAINTENANCE SWITCH	
10	72373528	2	HOSE CLIP	
11	72393709	1	RUBBER ARCH	
12	72311171	1	HOSE CLIP	
15	72356745	1	RETAINER	
16	72315645	3	HEXAGONAL HEAD BOLT	DIN 933 M8 X 12-8.8A3L
17	72315053	3	SPLIT WASHER	FWN 65208-8-A3L
18	72313268	3	NUT	DIN 934 M8-8A3L
19	72395446	1	SUPPORT	
20	72315629	2	HEXAGONAL HEAD BOLT	DIN 933 M6 X 12-8.8A3L
21	72315052	2	SPLIT WASHER	FWN 65208-6-A3L
22	72313266	2	NUT	DIN 934 M6-8A3L
23	72348547	1	PIPE CLAMP	
26	72348545	1	AIR FILTER ><26-30	
27	72332126	1	SAFETY CARTRIDGE	
28	72339030	1	COLLAR NUT	
29	72332441	1	MICRO-TOP CARTRIDGE	
30	72372827	1	NUT	DIN 934 M16X1,5-10A3L
32	72391711	1	ABSORPTION INDICATOR	
34	72373517	1	CLAMPING CLIP	
35	72356718	1	ELBOW FITTING	
36	72393688	1	BELLOWS	

FARMER 304 (158/03501-20000)
F060727

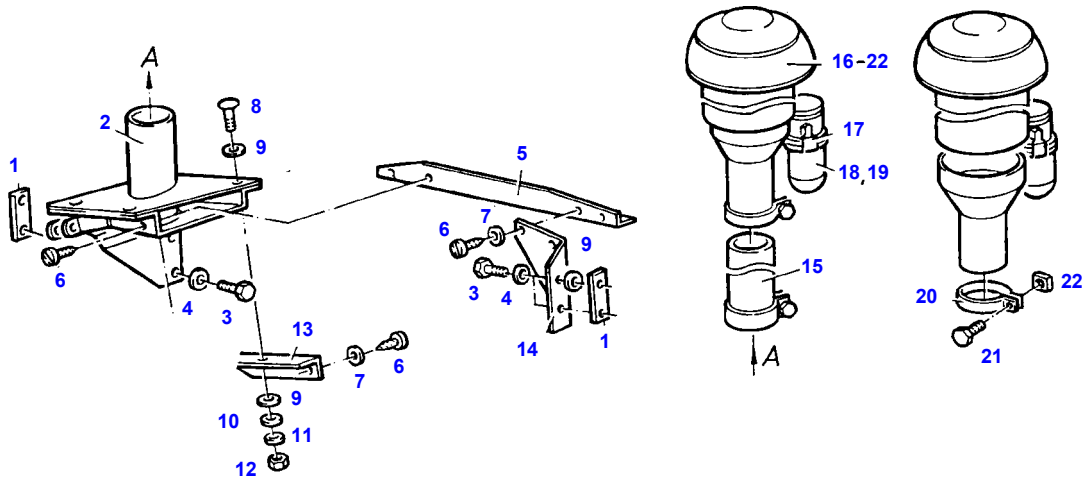


F060727



Item	Part Number	Qty	Description Comments	Technical Specification
			PICO <-- 158/3801	
1	72392836	1	INTAKE MANIFOLD	
3	72374648	3	STUD BOLT	DIN 939 M10X40-10.9
4	72374654	3	STUD BOLT	DIN 939 M10X70-10.9
5	72373015	6	NUT	DIN70615-M10-8-A3B
6	72315433	1	SCREW	DIN 906 M14X1,5-ST
7	72373975	1	SCREW	DIN 910 M20X1,5-ST
8	72376031	1	SEALING WASHER	DIN 7603 A20X24-CU
10	72332145	3	MOLDED SEAL	
12	72311170	1	HOSE CLIP	
13	72392837	1	RUBBER ARCH	
			<>	
	72492958	1	HOSE CLIP	59-83
14	72316876	1	MAINTENANCE SWITCH	
15	72315630	1	HEXAGONAL HEAD BOLT	DIN 933 M6X18-8.8A3L
16	72311787	2	DISC	DIN 125-6,4-ST.A3L
17	72313318	1	NUT	DIN6925-M6-8-A3L
18	72395417	1	SKID	
19	72315814	2	SCREW	DIN7976-ST4,8X16-F-A3L
22	72355442	1	INTAKE MANIFOLD	
	72355443	1	INTAKE MANIFOLD AIR BRAKING SYSTEM	
23	72373528	3	HOSE CLIP	
24	72395421	1	RUBBER ARCH	
25	72311171	1	HOSE CLIP	
26	72356745	1	RETAINER	
27	72315645	3	HEXAGONAL HEAD BOLT	DIN 933 M8 X 12-8.8A3L
28	72315053	3	SPLIT WASHER	FWN 65208-8-A3L
29	72313268	3	NUT	DIN 934 M8-8A3L
30	72395446	1	SUPPORT	
31	72315629	2	HEXAGONAL HEAD BOLT	DIN 933 M6 X 12-8.8A3L
32	72315052	2	SPLIT WASHER	FWN 65208-6-A3L
33	72313266	2	NUT	DIN 934 M6-8A3L
34	72348547	1	PIPE CLAMP	
38	72348545	1	AIR FILTER ><39-42	
39	72332126	1	SAFETY CARTRIDGE	
40	72339030	1	COLLAR NUT	
41	72332441	1	MICRO-TOP CARTRIDGE	
42	72372827	1	NUT	DIN 934 M16X1,5-10A3L
46	72373517	1	CLAMPING CLIP	
47	72356718	1	ELBOW FITTING	
48	72393688	1	BELLOWS	
50	72377222	2	COVER	DIN 443-40
51	72492958	1	HOSE CLIP	59-83

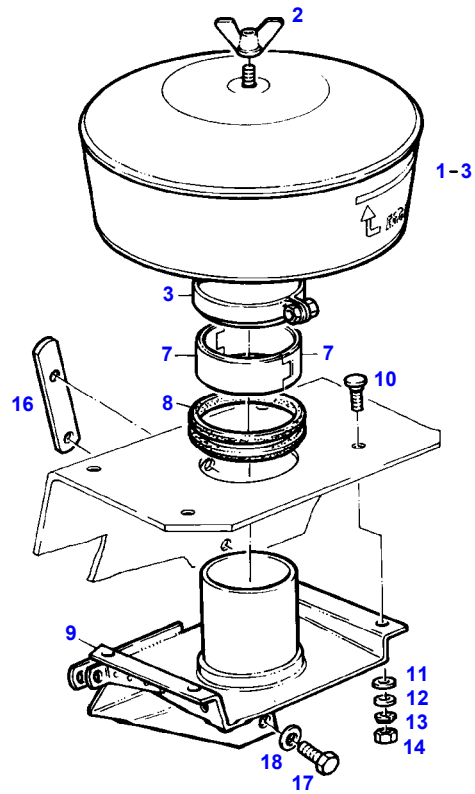
FARMER 304 (158/03501-20000)
4270



4270

Item	Part Number	Qty	Description Comments	Technical Specification
			PICO <--158/3710	
1	72393790	2	THREADED PLATE	
2	72356719	1	AIR INTAKE	
3	72315645	4	HEXAGONAL HEAD BOLT	DIN 933 M8 X 12-8.8A3L
4	72315053	4	SPLIT WASHER	FWN 65208-8-A3L
5	72395424	1	STIFFENING PLATE	
6	72315789	6	SCREW	DIN 7981 ST4,8X9,5-C-H-A3
7	72311785	4	DISC	DIN 125-5,3-ST.A3L
8	72373806	4	TRUSS HEAD SCREW	DIN 603 M6X16-A3L
9	72311788	9	DISC	DIN 125-8,4-ST.A3L
10	72311787	4	DISC	DIN 125-6,4-ST.A3L
11	72315052	4	SPLIT WASHER	FWN 65208-6-A3L
12	72313266	4	NUT	DIN 934 M6-8A3L
13	72395425	1	GUSSET PLATE	
14	72395423	1	GUSSET PLATE	
15	72384104	1	CONNECTING PIPE	
16	72348546	1	CYCLONE AIR CLEANER ><17-22	
17	72321921	1	CATCH	
18	72330736	1	FUNNEL	
19	72320204	1	CONTAINER	
20	72328628	1	PIPE CLAMP	
21	72328615	1	HEXAGONAL HEAD BOLT	
22	72372784	1	SQUARE NUT	DIN 557 M8-5

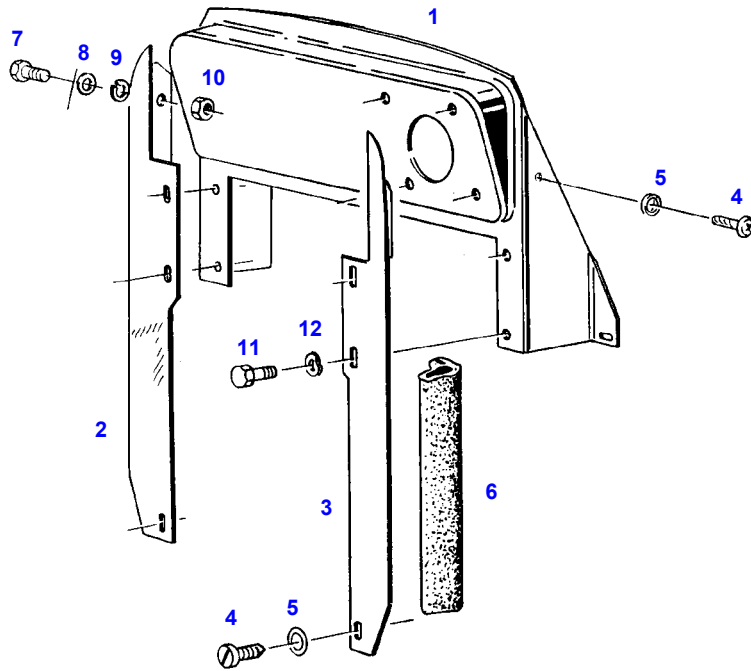
FARMER 304 (158/03501-20000)
5994



7594

Item	Part Number	Qty	Description Comments	Technical Specification
			PICO <--158/3710	
1	72348552	1	PRE-CLEANER ><1-3	
	72311582	1	DUST CUP	
2	72313238	1	WING NUT	
3	72332464	1	HOSE CLIP	
7	72395448	2	HALF-BEARING	
8	72393690	1	SEALING RING	
9	72356750	1	AIR INTAKE	
10	72373806	4	TRUSS HEAD SCREW	DIN 603 M6X16-A3L
11	72311788	4	DISC	DIN 125-8,4-ST.A3L
12	72311787	4	DISC	DIN 125-6,4-ST.A3L
13	72315052	4	SPLIT WASHER	FWN 65208-6-A3L
14	72313266	4	NUT	DIN 934 M6-8A3L
16	72393790	1	THREADED PLATE	
17	72315645	2	HEXAGONAL HEAD BOLT	DIN 933 M8 X 12-8.8A3L
18	72315053	2	SPLIT WASHER	FWN 65208-8-A3L

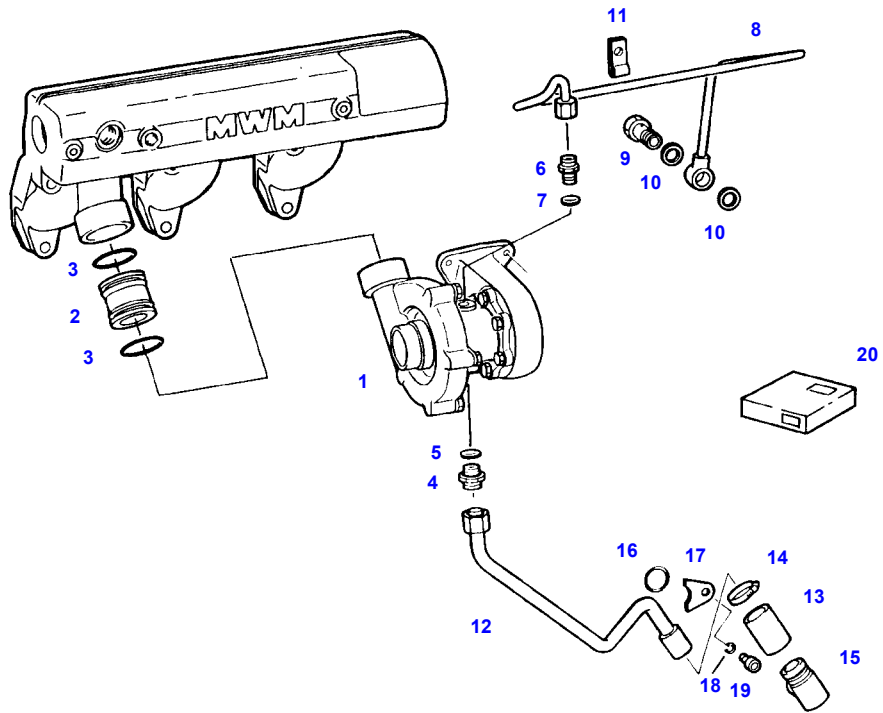
FARMER 304 (158/03501-20000)
4908



4908

Item	Part Number	Qty	Description Comments	Technical Specification
			RANGE OF TEMPERATURE 1+2 / 1+2 WITH AIR BRAKE SUPPLY EQUIPEMENT RANGE OF TEMPERATURE 1 WITH AIR CONDITION	
1	72392142	1	FILTER BRACKET	
2	72392835	1	SPLASH PANEL	
3	72392834	1	SPLASH PANEL	
4	72315785	3	SCREW	DIN 7981 ST4,2X9,5-C-H-A3
5	72311817	3	DISC	DIN9021-4,3-140HV-A3L
6	72393692	1	SEALING PROFILE	
7	72315626	1	HEXAGONAL HEAD BOLT	DIN 933-M6 X 16-8.8-A3L
8	72311787	1	DISC	DIN 125-6,4-ST.A3L
9	72315052	1	SPLIT WASHER	FWN 65208-6-A3L
10	72313266	1	NUT	DIN 934 M6-8A3L
11	72315645	4	HEXAGONAL HEAD BOLT	DIN 933 M8 X 12-8.8A3L
12	72317121	4	SPRING WASHER	DIN 137 B8-MECH.VZK

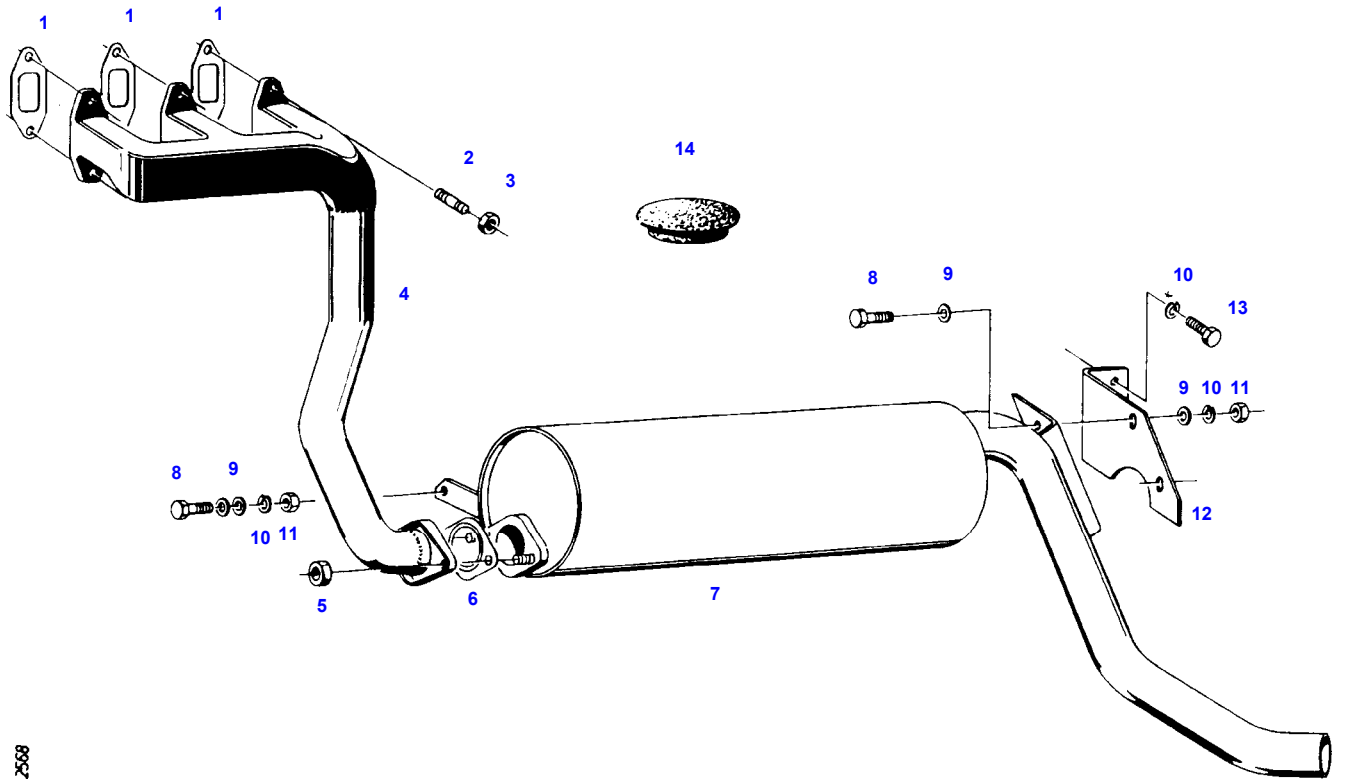
FARMER 304 (158/03501-20000)
4115



4115

Item	Part Number	Qty	Description Comments	Technical Specification
			<-- 158/3801	
1	72329531	1	TURBOCHARGER ><20	
2	72329534	1	CONNECTING PIECE	
3	72376526	2	O-RING	35X4
4	72377894	1	SCREW NECK	
5	72376066	1	SEALING WASHER	DIN 7603 D16X20-CU
6	72377895	1	SCREW NECK	DIN 3901-L8A-M-ST-A3L
7	72376065	1	SEALING WASHER	DIN 7603 D12X16-CU
8	72329535	1	LUBE OIL LINE	
9	72374956	1	BANJO BOLT	DIN7623/3.70-A10-6.8
10	72315098	2	SEALING WASHER	DIN 7603 A16X22-CU
11	72329536	1	PIPE CLAMP	
12	72329537	1	LUBE OIL LINE	
13	72332160	1	HOSE PIECE	
14	72311167	2	HOSE CLIP	
15	72343888	1	MANIFOLD	
16	72343889	1	SEAL	
17	72343890	1	RETAINING SHEET METAL	
18	72315053	1	SPLIT WASHER	FWN 65208-8-A3L
19	72315489	1	SOCKET HEAD BOLT	DIN 912-M8 X 16-8.8-A3L
20	72329532	1	SPARE PARTS KIT TURBO CHARGER	
	72329533	1	ROTOR ASSEMBLY SET TURBO CHARGER	

FARMER 304 (158/03501-20000)
2568



2568



Suggest:

For more complete manuals. Please go to the home page.

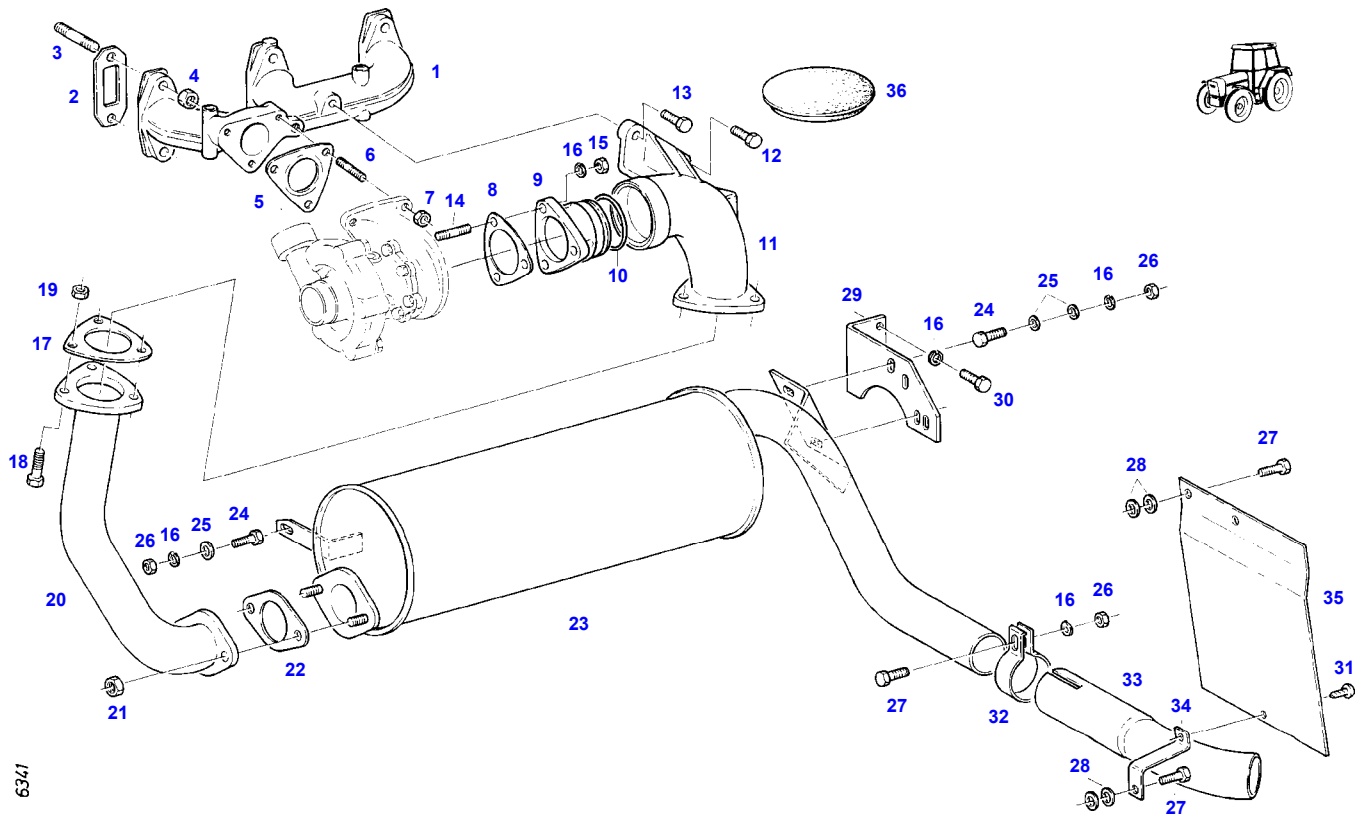
<https://www.ebooklibonline.com>

If the above button click is invalid. Please download this document first, and then click the above link to download the complete manual.

Thank you so much for reading

Item	Part Number	Qty	Description Comments	Technical Specification
			--> 158/3800	
1	72332145	3	MOLDED SEAL	
2	72313777	6	STUD BOLT	DIN 939 M10X35-8.8
3	72313272	6	NUT	DIN 934 M10-8A3L
4	72353218	1	EXHAUST COLLECTING PIPE	
5	72373015	2	NUT	DIN70615-M10-8-A3B
6	72376173	1	SEAL	DIN71511-56X82X1,5-ST AFM5M.E.
7	72354925	1	EXHAUST MUFFLER	
8	72315646	3	HEXAGONAL HEAD BOLT	DIN 933 M8X18-8.8A3L
9	72311788	6	DISC	DIN 125-8,4-ST.A3L
10	72315053	5	SPLIT WASHER	FWN 65208-8-A3L
11	72313268	3	NUT	DIN 934 M8-8A3L
12	72396312	1	RETAINING BRACKET	
13	72315642	2	HEXAGONAL HEAD BOLT	DIN 933 M8 X 16-8.8A3L
14	72395945	1	COVER	

FARMER 304 (158/03501-20000)
6341



6341

<https://www.ebooklibonline.com>

Hello dear friend!

Thank you very much for reading.

Enter the link into your browser.

The full manual is available for immediate download.

<https://www.ebooklibonline.com>