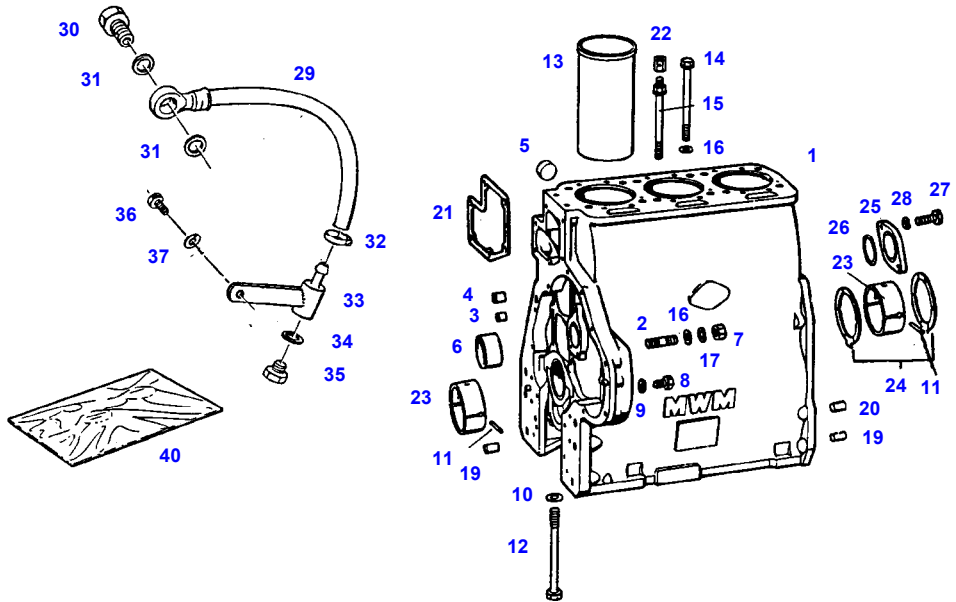


TABLE OF CONTENT

Page Number	Page Title	Page Reference
01-000-TOC	ENGINE, FUEL AND EXHAUST SYSTEM	01-000-TOC
02-000-TOC	AXLES	02-000-TOC
03-000-TOC	STEERING SYSTEM	03-000-TOC
04-000-TOC	DRIVE TRAIN SYSTEM	04-000-TOC
05-000-TOC	COMPRESSED AIR SYSTEM	05-000-TOC
06-000-TOC	HYDRAULIC SYSTEM	06-000-TOC
07-000-TOC	ELECTRICAL SYSTEM	07-000-TOC
08-000-TOC	CAB	08-000-TOC
09-000-TOC	CHASSIS	09-000-TOC
10-000-TOC	WHEELS	10-000-TOC
11-000-TOC	IMPLEMENT LIFT SYSTEM FRONT	11-000-TOC
12-000-TOC	IMPLEMENT LIFT SYSTEM REAR	12-000-TOC
13-000-TOC	FRONT/REAR LOADERS	13-000-TOC
14-000-TOC	ATTACHMENTS	14-000-TOC
15-000-TOC	ACCESSORIES	15-000-TOC

FARMER 303 (152/00001-99999)
5437



5437

Item	Part Number	Qty	Description Comments	Technical Specification
1	72326266	1	CRANKCASE	
2	72313777	4	STUD BOLT	DIN 939 M10X35-8.8
3	72327772	6	PLUG 10 MM	
4	72327773	3	PLUG 14 MM	
	72327068	2	PLUG 16 MM	
5	72377226	3	COVER 50MM	DIN 443-50
	72377227	3	COVER 55MM	DIN 443-52
6	72330749	1	BUSH	
7	72372811	4	NUT	DIN 934 M10-10A3L
8	72315644	1	HEXAGONAL HEAD BOLT	DIN 933 M8X10-8.8A3L
9	72315087	1	SEALING WASHER	DIN 7603 A8X14-CU
10	72324592	20	DISC	
11	72375130	4	TENSIONING PIN	ISO8752-4X8-A-ST-ZNPH
12	72327081	8	HEXAGONAL HEAD BOLT	
13	72331777	3	CYLINDER LINER FINISHED SIZE	
	72331778	3	CYLINDER LINER FINISHED SIZE HIGH TIN COLLAR	
	72331774	3	CYLINDER LINER HONED AFTER MOUNTING	
14	72326267	10	HEXAGONAL HEAD BOLT	
15	72326268	2	HEXAGONAL HEAD BOLT	
16	72311789	4	DISC	DIN 125-10,5-ST.A3L
17	72375420	4	TOOTHLOCK WASHER	DIN 6797 A10,5
19	72313859	4	CYLINDER PIN	DIN 7-8M6X18-ST50K
20	72375324	2	CYLINDER PIN	DIN 7-10M6X28-ST50K
21	72327043	1	MOLDED SEAL	
22	72331763	2	NUT	
23	72341078	4	MAIN BEARING 70,00 MM	
	72341079	4	MAIN BEARING 69,75 MM	
	72341080	4	MAIN BEARING 69,50 MM	
	72341081	4	MAIN BEARING 69,25 MM	
	72341082	4	MAIN BEARING 69,00 MM	
24	72343910	2	THRUST RING 70,00 MM	
	72343911	2	THRUST RING 69,79 MM	
25	72343896	1	COVER	
26	72376544	1	O-RING	42,2X3-NBR 70 FWN56402
27	72315650	2	HEXAGONAL HEAD BOLT	DIN 933 M8 X 20-8.8A3L
28	72317121	2	SPRING WASHER	DIN 137 B8-MECH.VZK
29	72313976	1	COOLING WATER DRAIN LINE	
30	72315808	1	BANJO BOLT	DIN 7643-10-3-A3L
31	72315094	2	SEALING WASHER	DIN 7603 A14X18-CU
32	72438345	1	HOSE CLIP	
33	72355704	1	HOSE RETAINER	
34	72315088	1	SEALING WASHER	DIN 7603 A10X13,5-CU
35	72315797	1	PLUG SCREW	DIN 7604 AM10X1-ST A3L
36	72315642	1	HEXAGONAL HEAD BOLT	DIN 933 M8 X 16-8.8A3L
37	72315053	1	SPLIT WASHER	FWN 65208-8-A3L
40	72376233	1	SEAL KIT D 226-3	D 226-3,2

<https://www.ebooklibonline.com>

Hello dear friend!

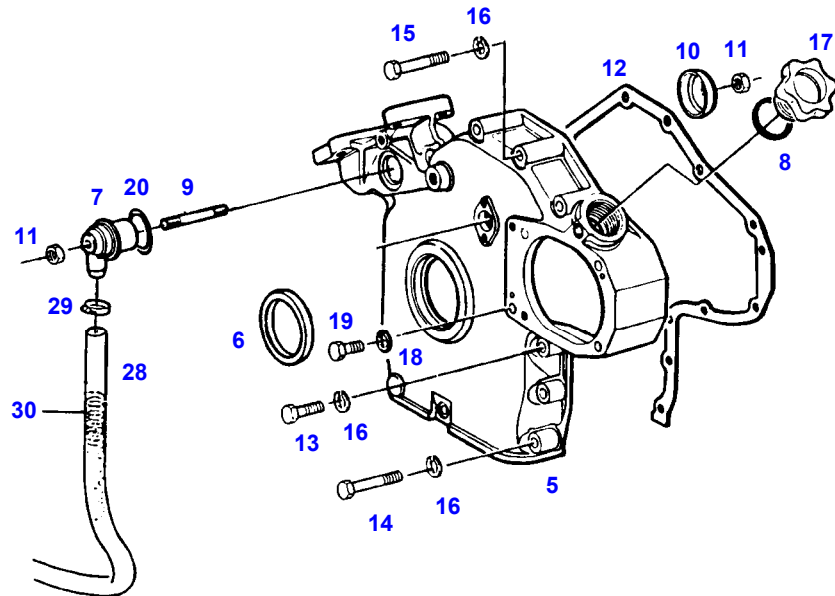
Thank you very much for reading.

Enter the link into your browser.

The full manual is available for immediate download.

<https://www.ebooklibonline.com>

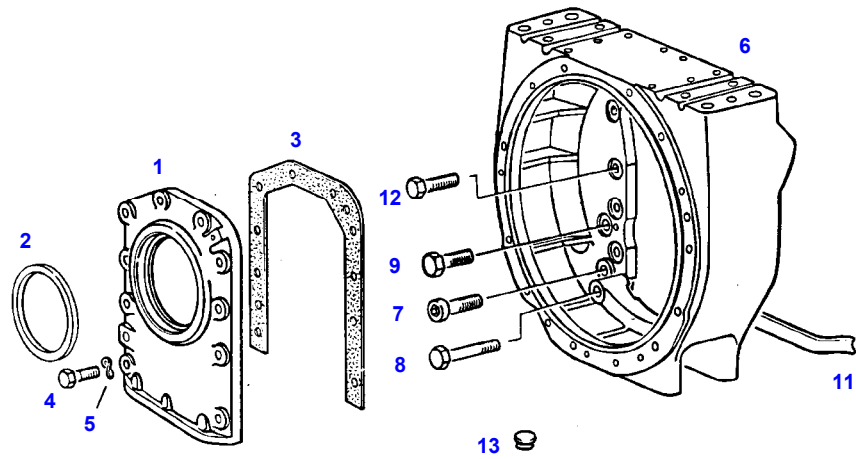
FARMER 303 (152/00001-99999)
4890



4890

Item	Part Number	Qty	Description Comments	Technical Specification
5	72340126	1	CRANKCASE END COVER	
6	72332982	1	RADIAL SEALING RING	
7	72326907	1	HOUSING	
8	72376514	1	O-RING	32X4-NBR 70 FWN56402
9	72326906	1	THREADED PIN	
10	72326904	1	COVER PANEL	
11	72313266	2	NUT	DIN 934 M6-8A3L
12	72330757	1	MOLDED SEAL	
13	72315659	1	HEXAGONAL HEAD BOLT	DIN 933 M8X35-8.8
14	72374158	7	HEXAGONAL HEAD BOLT	DIN 931 M8X45-8.8
15	72315534	5	HEXAGONAL HEAD BOLT	DIN 931 M8 X 70-8.8
16	72315053	13	SPLIT WASHER	FWN 65208-8-A3L
17	72321607	1	PLUG	
18	72315087	1	SEALING WASHER	DIN 7603 A8X14-CU
19	72315643	1	HEXAGONAL HEAD BOLT	DIN 933 M8X10-8.8
20	72376538	1	O-RING	40X4
28	72436284	1	HOSE 1X 750MM CUT TO LENGTH	L=1120 FWN65912-19X3-PVC-W-G
29	72311166	1	HOSE CLIP	
30	72407980	1	COMPRESSION SPRING	

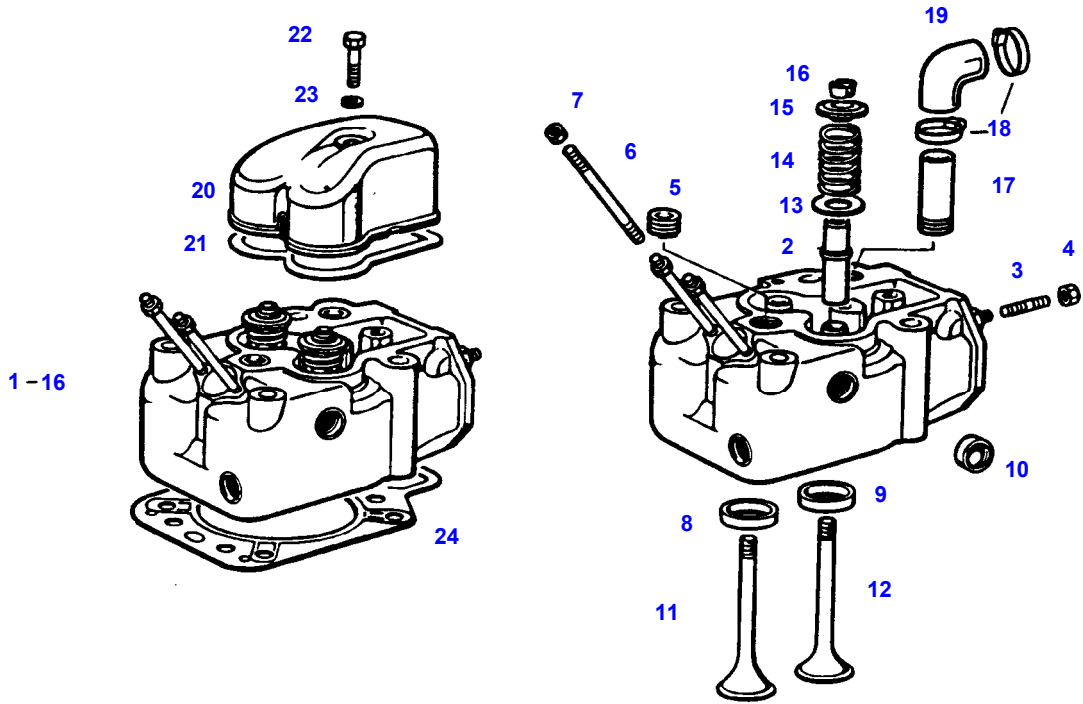
FARMER 303 (152/00001-99999)
5428



5428

Item	Part Number	Qty	Description Comments	Technical Specification
1	72330754	1	CRANKCASE END COVER ><2	
2	72376834	1	SHAFT SEAL	110X130X14,5
3	72330755	1	MOLDED SEAL	
4	72315653	10	HEXAGONAL HEAD BOLT	DIN 933 M8 X 25-8.8A3L
5	72317121	10	SPRING WASHER	DIN 137 B8-MECH.VZK
6	72393003	1	HOUSING --> 152/0427 <> <-- 152/0428 --> 152/0970 <> <>	
	72374435	10	HEXAGONAL HEAD BOLT	DIN933 M10X33 GWA-10.9
	72314756	1	LOCKING PLUG	F21
	72374184	2	HEXAGONAL HEAD BOLT	DIN 931 M10X75-12.9
	72484465	3	HEXAGONAL HEAD BOLT	M12X35
	72315511	3	SOCKET HEAD BOLT	DIN 912 M12X40-10.9
	72317290	1	TAPERED PLUG	
7	72315511	2	SOCKET HEAD BOLT --> 152/0427	DIN 912 M12X40-10.9
	72315511	3	SOCKET HEAD BOLT <-- 152/0428	DIN 912 M12X40-10.9
8	72374184	2	HEXAGONAL HEAD BOLT	DIN 931 M10X75-12.9
9	72374465	4	HEXAGONAL HEAD BOLT --> 152/0427	DIN 933 M12X28-10.9
	72484465	3	HEXAGONAL HEAD BOLT <-- 152/0428	M12X35
11	72325584	1	RUBBER STRIP	
12	72315683	10	HEXAGONAL HEAD BOLT --> 152/0427	DIN 933 M10X28-10.9
	72374435	10	HEXAGONAL HEAD BOLT <-- 152/0428	DIN933 M10X33 GWA-10.9
13	72314763	4	LOCKING PLUG F211	F211
	72375075	2	LOCKING PLUG F3	F3
	72375092	4	LOCKING PLUG F12	V14
	72314756	1	LOCKING PLUG F21 <-- 152/0971	F21
	72314748	1	LOCKING PLUG F11	SW-F11
	72317290	1	TAPERED PLUG B47 <-- 152/0971	
	72375100	1	SCREW PLUG M18	M18

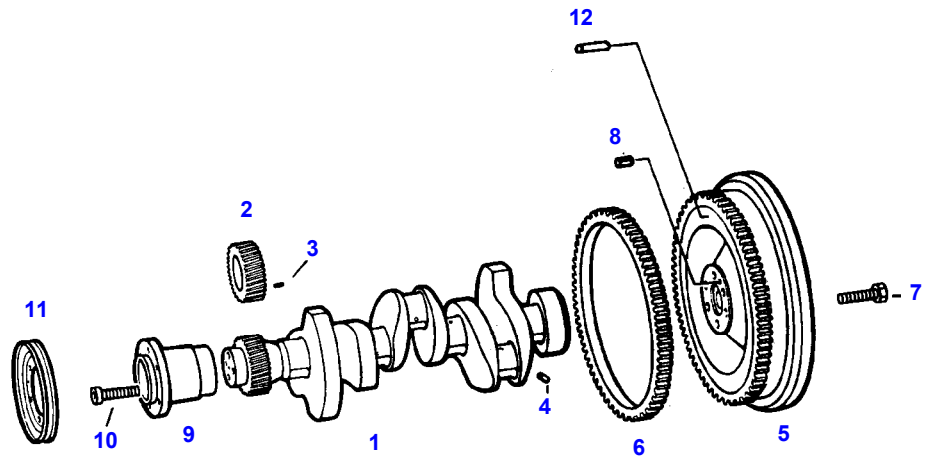
FARMER 303 (152/00001-99999)
2559



2559

Item	Part Number	Qty	Description Comments	Technical Specification
1	72339462	3	CYLINDER HEAD ><1-16	
	72339462	3	CYLINDER HEAD ><1-10	
2	72327062	6	VALVE GUIDE	
3			SEE AIRFILTER	
4			SEE AIRFILTER	
5	72373948	3	PLUG SCREW	DIN 906 M22X1,5-ST
6	72374632	6	STUD BOLT	DIN 939 M8X55-8.8
7	72313267	6	NUT	DIN 934 M8-10
8	72332174	3	VALVE SEAT RING OUTLET	
9	72339464	3	VALVE SEAT RING INTAKE	
10	72311455	12	COVER	
11	72331769	3	OUTLET VALVE CONE OUTLET	
12	72331770	3	INLET VALVE CONE INTAKE	
13	72326923	6	DISC	
14	72327057	6	COMPRESSION SPRING	
15	72327093	6	SPRING RETAINER	
16	72327092	12	TAPER PIECE HALF	
17	72334841	3	PIPE PIECE	
18	72311167	6	HOSE CLIP	
19	72329731	3	RUBBER ARCH	
20	72334863	3	CYLINDER HEAD COVER	
21	72334862	3	MOLDED SEAL	
22	72315691	3	HEXAGONAL HEAD BOLT	DIN 933 M10X40-8.8A3L
23	72315089	3	SEALING WASHER	DIN 7603 A10X16-CU
24	72326269	3	CYLINDER HEAD GASKET	

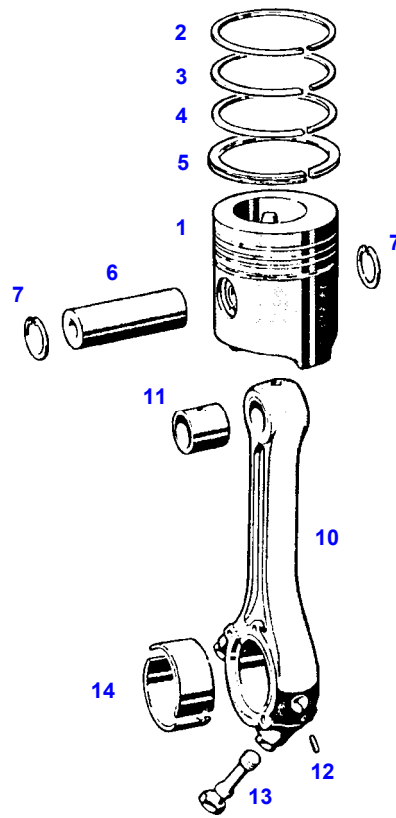
FARMER 303 (152/00001-99999)
5405



5405

Item	Part Number	Qty	Description Comments	Technical Specification
1	72471948	1	NO LONGER AVAILABLE ><2-4 <-- F307.200.310.010 1X	
2	72341105	1	SPUR GEAR	
3	72375132	1	TENSIONING PIN	ISO8752-4X18-A-ST-ZNPHR10F-KOE
4	72327771	3	PLUG ENG.NO. --> 226.3.2.12598	
	72337059	3	PLUG ENG.NO. <-- 226.3.2.12599	
5	72329742	1	FLYWHEEL ><6	
6	72330772	1	RING GEAR	
7	72315739	6	HEXAGONAL HEAD BOLT	DIN 933 M16X60 GWA-10.9
8			NOT USED	
9	72329741	1	HUB	
10	72374113	4	SOCKET HEAD BOLT	DIN 912 M16X50-10.9
11	72337036	1	V BELT SHEAVE NOT NEEDED WITH AIR BRAKE	
	72315490	6	SOCKET HEAD BOLT NOT NEEDED WITH AIR BRAKE	DIN 912 M10X16-8.8
	72315054	6	SPLIT WASHER NOT NEEDED WITH AIR BRAKE	FWN 65208-10-A3L
			SEE COMPRESSOR MOUNTING WITH AIR BRAKING SYSTEM	
12			NOT USED	

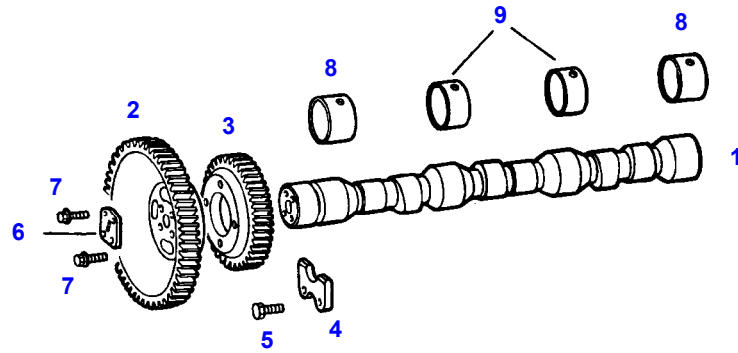
FARMER 303 (152/00001-99999)
1708



1708

Item	Part Number	Qty	Description Comments	Technical Specification
1	72329076	3	PISTON ><1-7	
	72329078	3	PISTON ><1-7 OVERSIZE 0,5 MM	
2	72329077	3	KEYSTONE RING	
	72329079	3	KEYSTONE RING OVERSIZE 0,5 MM	
3	72331781	3	TAPERED COMPRESSION RING	
	72331787	3	TAPERED COMPRESSION RING OVERSIZE 0,5 MM	
4	72331782	3	OIL SCRAPER RING	
	72331788	3	OIL SCRAPER RING OVERSIZE 0,5 MM	
5	72341114	3	WEDGE-SECTION RING	
	72326281	3	DOUBLE BEVELLED OIL CONTROL RING OVERSIZE 0,5 MM	
6			NOT AVAILABLE IN SINGLE PARTS	
7	72311094	6	LOCK WASHER	DIN 472-35X1,5
10	72341117	3	PISTON ROD ><10-13	
11	72341118	3	SMALL-END BUSH	
12	72313802	3	TENSIONING PIN	ISO8752-4X16-A-ST-ZNPHR10F-KOE
13	72327143	6	CONNECTING ROD BOLT	
14	72341119	3	CONNECTING ROD BEARING 63,00 MM	
	72341120	3	CONNECTING ROD BEARING 62,75 MM	
	72341121	3	CONNECTING ROD BEARING 62,50 MM	
	72341122	3	CONNECTING ROD BEARING 62,25 MM	
	72341123	3	CONNECTING ROD BEARING 62,00 MM	

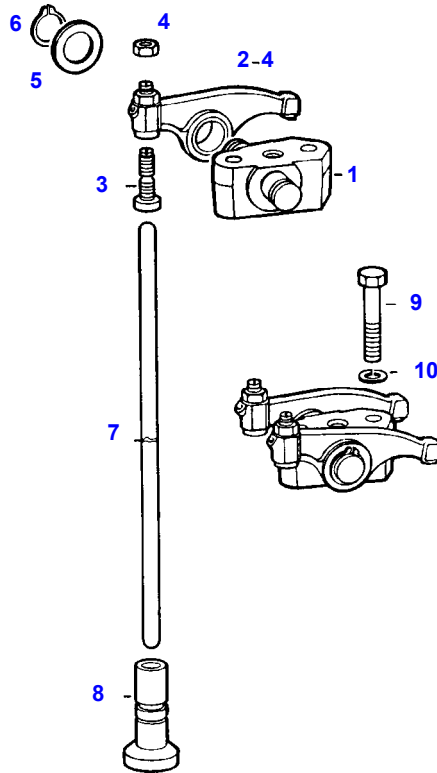
FARMER 303 (152/00001-99999)
5404



5404

Item	Part Number	Qty	Description Comments	Technical Specification
1	72334053	1	CAMSHAFT	
2	72330784	1	SPUR GEAR	
3	72327170	1	SPUR GEAR	
4	72327172	1	SEGMENT	
5	72375061	2	LOCK SCREW	W151.12 M8X16-90
6	72331325	1	PROFILED FLANGE	
7	72375063	8	LOCK SCREW	FWN 64993 M8X22-12.9
8	72325608	2	BUSH	
9	72325609	2	BUSH	

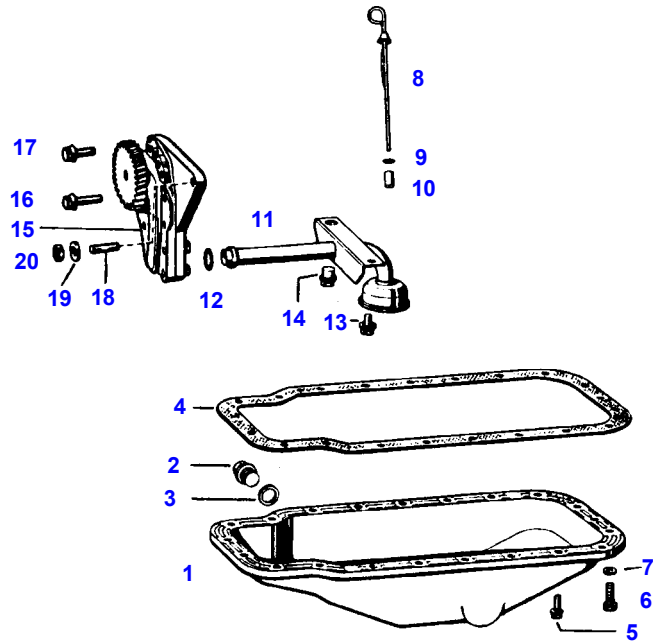
FARMER 303 (152/00001-99999)
3121



3121

Item	Part Number	Qty	Description Comments	Technical Specification
1	72326928	3	ROCKER ARM SUPPORT <>	
	72321237	2	DISC	
2	72326251	6	ROCKER ARM ><2-4	
3	72328652	6	ADJUSTING SCREW	
4	72313268	6	NUT	DIN 934 M8-8A3L
5	72321237	12	DISC	
6	72375559	6	LOCK WASHER	DIN 471-16X1
7	72330785	6	BUMPER	
8	72334866	6	MUSHROOM TAPPET	
9	72315691	6	HEXAGONAL HEAD BOLT	DIN 933 M10X40-8.8A3L
10	72315054	6	SPLIT WASHER	FWN 65208-10-A3L

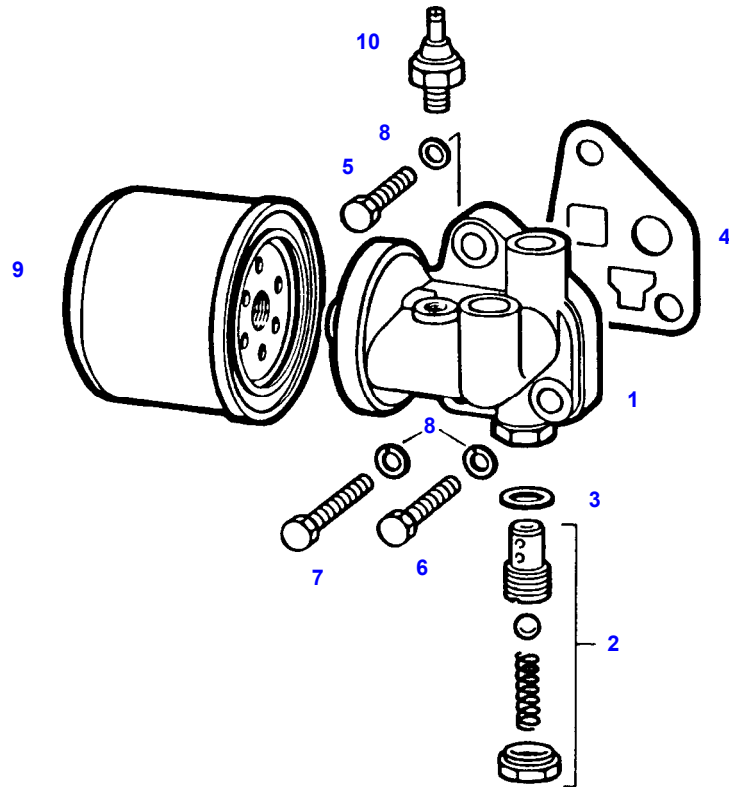
FARMER 303 (152/00001-99999)
2557



2557

Item	Part Number	Qty	Description Comments	Technical Specification
1	72326134	1	OIL PAN	
2	72373986	1	SCREW	
3	72332580	1	SEALING WASHER	
4	72327044	1	MOLDED SEAL	
5	72604456	18	HEXAGONAL HEAD BOLT <>	DIN 933 M8X18 8.8
	72321257	1	DISC	
6	72315653	3	HEXAGONAL HEAD BOLT	DIN 933 M8 X 25-8.8A3L
7	72321257	3	DISC	
8	72334253	1	DIPSTICK ENG.NO. --> 226.3.2.14947 <> <>	
	72326139	1	PIPE PIECE	
9	72331327	1	SEALING WASHER ENG.NO. --> 226.3.2.14947	
	72376384	1	O-RING ENG.NO. <-- 226.3.2.14948	7,3X2,4
10	72326139	1	PIPE PIECE ENG.NO. --> 226.3.2.14947 <> <>	
	72334253	1	DIPSTICK	
11	72326144	1	SUCTION LINE	
12	72376462	1	O-RING	20X4-FPM 70 FWN56402
13	72375061	1	LOCK SCREW	W151.12 M8X16-90
14	72373972	1	PLUG	DIN 910 M16X1,5-ST
15	72330776	1	OIL GEAR PUMP	
16	72375067	1	LOCK SCREW	FWN 64993 M8X35-90
17	72375063	1	LOCK SCREW	FWN 64993 M8X22-12.9
18	72374623	1	STUD BOLT	DIN 939-M8X25-8.8
19	72340920	1	DISC	
20	72340921	1	MIDGRIP NUT	

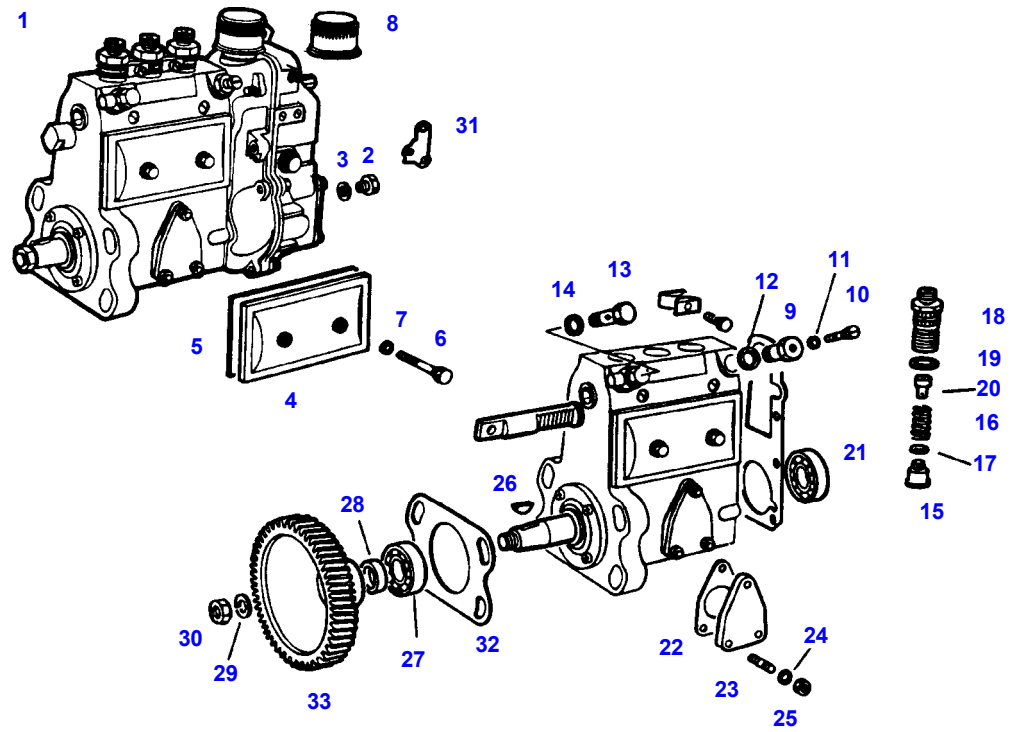
FARMER 303 (152/00001-99999)
2558



2558

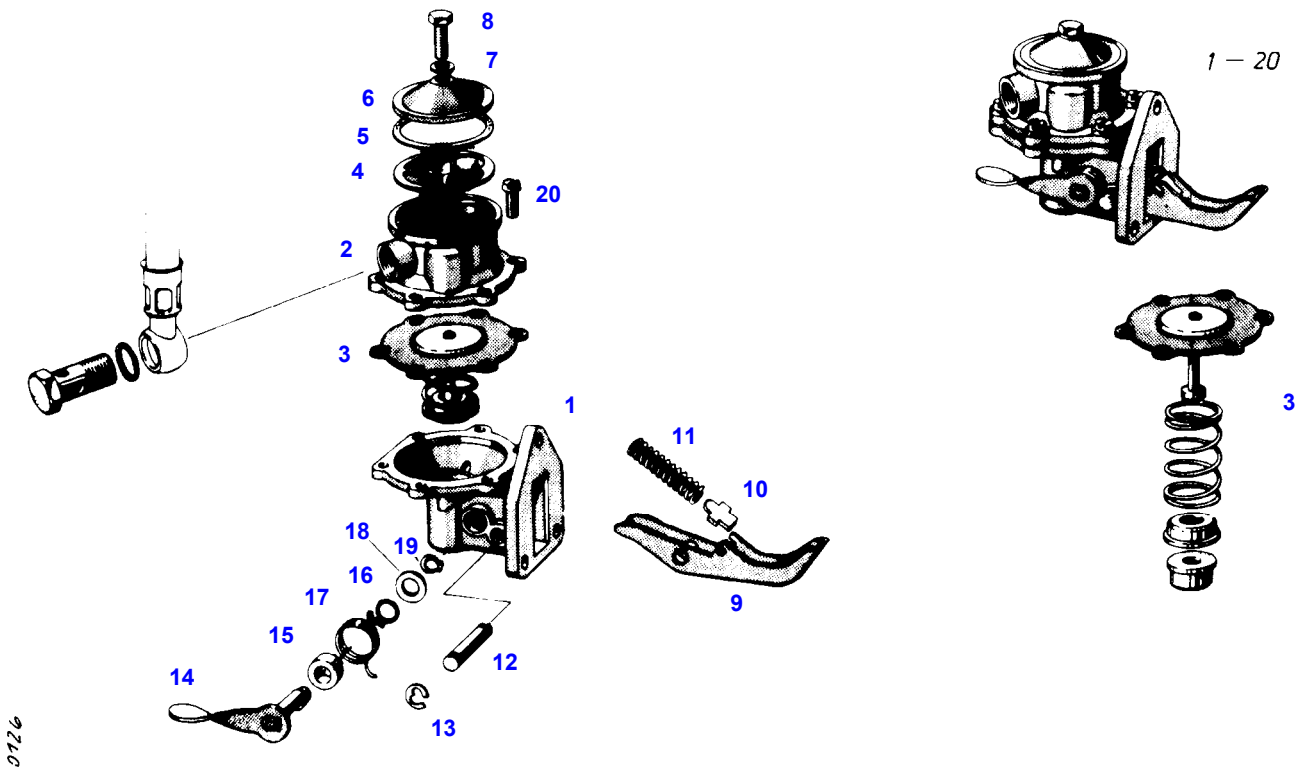
Item	Part Number	Qty	Description Comments	Technical Specification
1	72325600	1	FILTER HEAD ><2-3 <-- G510.201.900.100 1X <>	
	72315498	2	SOCKET HEAD BOLT	DIN 912 M10X40-8.8 OB1-SW
	72315494	1	SOCKET HEAD BOLT	DIN 912 M10X30-8.8
2	72327149	1	VALVE	
3	72315099	1	SEALING WASHER	DIN 7603 A18X22-CU
4	72327148	1	MOLDED SEAL	
5	72315685	1	HEXAGONAL HEAD BOLT	DIN 933 M10X30-8.8A3L
6	72315691	1	HEXAGONAL HEAD BOLT	DIN 933 M10X40-8.8A3L
7	72315691	1	HEXAGONAL HEAD BOLT	DIN 933 M10X40-8.8A3L
8	72317122	3	SPRING WASHER	DIN 137 B10-MECH.VZK
9	72327235	1	OIL FILTER	
10	72321488	1	OIL PRESSURE SENSOR	

FARMER 303 (152/00001-99999)
2560



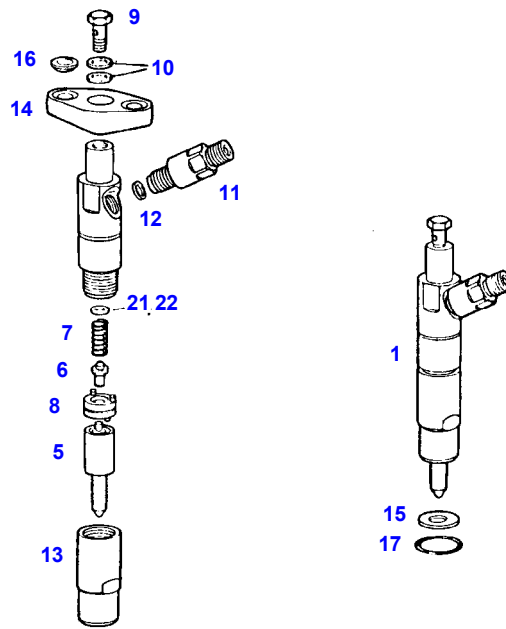
2560

Item	Part Number	Qty	Description Comments	Technical Specification
1	72329013	1	INJECTION PUMP ><1-31	
2	72334210	1	SCREW	
3	72315088	1	SEALING WASHER	DIN 7603 A10X13,5-CU
4	72327226	1	COVER ><5	
5	72327227	1	SEAL	
6	72334895	2	HEXAGONAL HEAD BOLT	
7	72315084	2	SEALING WASHER	DIN 7603 A6X10-CU
8	72327018	1	FILTER	
9	72327202	1	THREADED BUSHING	
10	72323290	1	BLEED SCREW	
11	72315084	1	SEALING WASHER	DIN 7603 A6X10-CU
12	72315097	2	SEALING WASHER	DIN 7603 A16X20-CU
13	72315808	1	BANJO BOLT	DIN 7643-10-3-A3L
14	72315095	2	SEALING WASHER	DIN 7603 A14X20-CU
15	72332133	3	PRESSURE VALVE	
16	72326997	3	COIL SPRING	
17	72332134	3	SEALING WASHER	
18	72332135	3	PIPE CONNECTION	
19	72332136	3	SEALING WASHER	
20	72614255	1	FILLING PIECE	
21	72378179	1	SEPARABLE BALL BEARING	L17 DIN 615
22	72328694	1	MOLDED SEAL	
23	72316623	3	STUD BOLT	
24	72317120	3	SPRING WASHER	DIN 137 B6-MECH.VZK
25	72313266	3	NUT	DIN 934 M6-8A3L
26	72373427	1	WOODRUFF KEY	DIN 6888-3X6,5-ST60
27	72378222	1	DEEP GROOVE BALL BEARING	DIN 625-6203 C3
28	72327019	1	RADIAL SEALING RING	
29	72315055	1	SPLIT WASHER	FWN 65208-12-A3L
30	72313277	1	NUT	DIN 934-M12-10-A3L
31	72337466	1	STOP LEVER	
	72391920	1	PLATE <-- 152/0057	
	72311787	4	DISC <-- 152/0057	DIN 125-6,4-ST.A3L
	72373203	2	POP RIVET <-- 152/0057	6,5X14,1-ST.VZK
32	72326991	1	MOLDED SEAL	
33	72334209	1	SPUR GEAR	



Item	Part Number	Qty	Description Comments	Technical Specification
1	72328691	1	FUEL PUMP PIERBURG >< 1-20 <-- F150.204.710.013	
	72324494	1	FUEL PUMP IMSA <-- F150.204.710.013	
	72451618	1	FUEL PUMP BD - TORINO NOT AVAILABLE IN SINGLE PARTS NO LONGER AVAILABLE REPAIR KIT PIERBURG ><4,5,16	
	72324495	1	REPAIR KIT IMSA >< 4,8	
	72437162	1	REPAIR KIT BD - TORINO	
2			NOT AVAILABLE IN SINGLE PARTS	
3	72328697	1	DIAPHRAGM	
4	72328698	1	FUEL FILTER	
5	72328699	1	SEALING WASHER	
6	72328700	1	CAP	
7			NOT USED	
8	72335630	1	HEXAGONAL HEAD BOLT	
	72374399	1	HEXAGONAL HEAD BOLT	DIN 933 M5X18-8.8A3L
	72376018	1	SEALING WASHER	DIN 7603 A5X9-VF
9	72328701	1	PUMP LEVER	
10	72328702	1	SPRING SEAT	
11	72328703	1	COMPRESSION SPRING	
12	72328704	1	AXLE	
13	72328705	1	FUSE	
14	72328706	1	HAND LEVER	
15	72328707	1	SPACER RING NOT AVAILABLE IN SINGLE PARTS	
17	72328709	1	RETURN SPRING	
18	72328710	1	MACHINE WASHER	
19	72328711	1	CIRCLIP	
20	72315403	6	SOCKET HEAD BOLT	DIN 84 M5X12-4.8

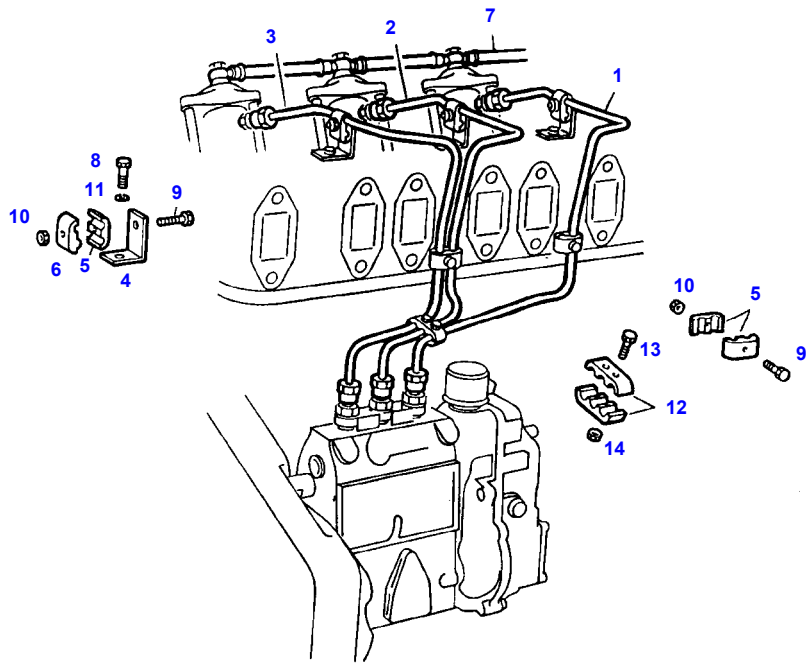
FARMER 303 (152/00001-99999)
4899



4899

Item	Part Number	Qty	Description Comments	Technical Specification
1	72339466	3	INJECTOR ><1-13,21,22	
5	72339467	3	MULTIPLE-ORIFICE INJECTOR	
6	72332206	3	PRESSURE BOLT	
7	72339472	3	COMPRESSION SPRING	
8	72332207	3	SHIM DISC	
9	72315809	3	BANJO BOLT	DIN 7643-4-5-A3L
10	72315086	6	SEALING WASHER	DIN 7603 A8X11,5-CU
11	72332208	3	PIPE CONNECTION	
12	72327194	3	SEALING WASHER	
13	72332209	3	CONNECTING NUT	
14	72332210	3	RETAINER BOW	
15	72343954	3	SEALING WASHER	
16	72332214	6	SPHERICAL WASHER	
17	72376457	3	O-RING	20X2-NBR 70-FWN56402
21	72339468	X	DISC 0,80 MM	
	72339469	X	DISC 0,85 MM	
	72339470	X	DISC 0,90 MM	
	72339471	X	DISC 0,95 MM	
	72319287	X	DISC 1,00 MM	
	72319288	X	DISC 1,10 MM	
	72319289	X	DISC 1,15 MM	
	72319290	X	DISC 1,20 MM	
	72319291	X	DISC 1,30 MM	
	72319292	X	DISC 1,40 MM	
22	72319293	X	DISC 1,50 MM	
	72319294	X	DISC 1,60 MM	

FARMER 303 (152/00001-99999)
5432



5432

FUEL PRESSURE LINES

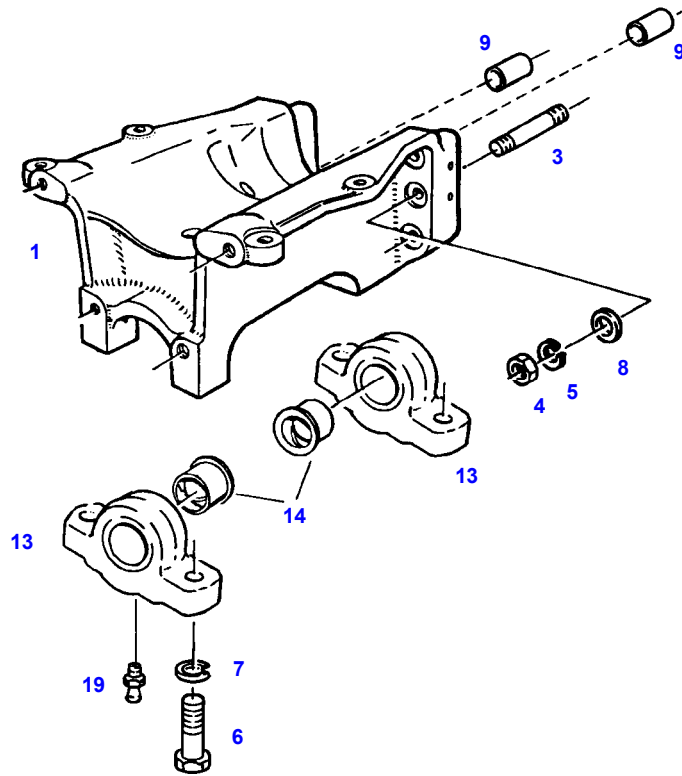
Item	Part Number	Qty	Description Comments	Technical Specification
1	72339476	1	FUEL LINE	
2	72340724	1	FUEL LINE	
3	72340725	1	FUEL LINE	
4	72327196	3	GUSSET PLATE	
5	72327982	6	CLIP HALF	
6	72327187	4	CLIP HALF	
7			SEE FUEL-LINES	
8	72315629	3	HEXAGONAL HEAD BOLT	DIN 933 M6 X 12-8.8A3L
9	72315633	5	HEXAGONAL HEAD BOLT	DIN 933 M6X25-8.8A3L
10	72313266	3	NUT	DIN 934 M6-8A3L
11	72317120	10	SPRING WASHER	DIN 137 B6-MECH.VZK
12	72327002	2	CLIP HALF	
13	72315633	2	HEXAGONAL HEAD BOLT	DIN 933 M6X25-8.8A3L
14	72313266	2	NUT	DIN 934 M6-8A3L

AXLES

Page Number	Page Title	Page Reference
02-0001	FRONT AXLE BRACKET 2WD	3010
02-0002	FRONT AXLE BRACKET 4WD	3020
02-0003	AXLE BODY 2WD	3030
02-0004	AXLE BRIDGE 4WD --> 152/2000	3040
02-0005	AXLE BRIDGE 4WD <-- 152/2001	3045
02-0006	DRIVE 4WD --> 152/2000	3050
02-0007	DRIVE 4WD <-- 152/2001	3055
02-0008	DIFFERENTIAL 4WD --> 152/2000	3060
02-0009	LOCK DIFFERENTIAL 4WD --> 152/2000	3062
02-0010	LOCK DIFFERENTIAL 4WD <-- 152/2001	3065
02-0011	JOINT HOUSING 4WD --> 152/2000	3070
02-0012	JOINT HOUSING 4WD <-- 152/2001	3075
02-0013	DOUBLE JOINT 4WD <-- 152/2001	3080
02-0014	PLANETARY DRIVE 4WD --> 152/2000	3090
02-0015	PLANETARY DRIVE 4WD <-- 152/2001	3095
02-0016	FRONT WHEEL SUSPENS. 2WD	3100
02-0017	JOINT SHAFT 4WD --> 152/2000	3110
02-0018	JOINT SHAFT 4WD <-- 152/2001	3115
02-0019	TIE ROD 2WD	3120
02-0020	TIE ROD 4WD --> 152/2000	3130
02-0021	TIE ROD 4WD <-- 152/2001	3135
02-0022	STEERING CYLINDER 2WD	3140
02-0023	STEERING CYLINDER 4WD --> 152/2000	3150
02-0024	STEERING CYLINDER 4WD <-- 152/2001	3155

Page Number	Page Title	Page Reference
02-0025	PIPES STEERING CYL. 2WD	3160
02-0026	PIPES STEERING CYL. 4WD	3170
02-0027	--> 152/2000 PIPES STEERING CYL. 4WD <-- 152/2001	3175
02-0028	HITCH FRONT POWER LIFT	3190
02-0029	ADD.TRAILER COUPLING	3200
02-0030	FRONT AXLE WEIGHT	3220
02-0031	ADDITIONAL WEIGHT	3260

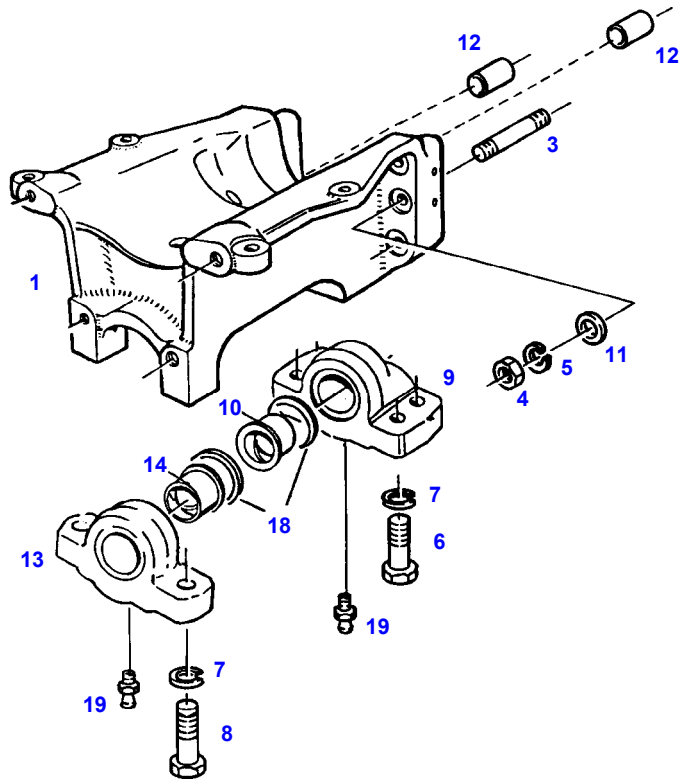
FARMER 303 (152/00001-99999)
5257



5257

Item	Part Number	Qty	Description Comments	Technical Specification
			2WD	
1	72393713	1	FRONT AXLE BRACKET --> 152/2000 <> <>	
	72311793	6	DISC	DIN 125-17-ST.A3L
	72392256	2	BUSH	
	72391925	2	STOP	
3	72374721	6	STUD BOLT	DIN 939 M16X130-10.9 N.V.GRT.
	72313760	6	STUD BOLT	DIN835-M16X140-10.9-N.V.GRT
4	72313282	6	NUT	DIN 934 M16-10
5	72315057	6	SPLIT WASHER	FWN 65208-16-A3L
6	72374548	4	HEXAGONAL HEAD BOLT	DIN 933 M20X65 GWA-10.9
7	72315059	4	SPLIT WASHER	FWN 65208-20-A3L
8	72311793	6	DISC <-- 152/2001	DIN 125-17-ST.A3L
9	72392256	2	BUSH <-- 152/2001	
13	72348304	2	AXLE BEARING --> 152/2000	
	72348305	2	AXLE BEARING <-- 152/2001	
14	72393716	2	BUSH --> 152/2000	
	72393714	2	BUSH <-- 152/2001	
19	72313160	2	CONE-TYPE LUBRICATING NIPPLE <-- 152/2001	

FARMER 303 (152/00001-99999)
5214



5214



Suggest:

For more complete manuals. Please go to the home page.

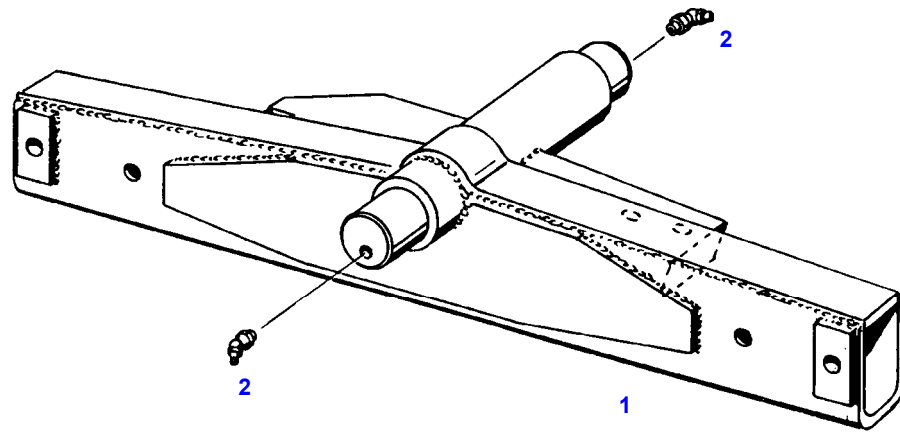
<https://www.ebooklibonline.com>

If the above button click is invalid. Please download this document first, and then click the above link to download the complete manual.

Thank you so much for reading

Item	Part Number	Qty	Description Comments	Technical Specification
			4WD	
1	72393713	1	FRONT AXLE BRACKET <>8,9 --> 152/2000 <> <>	
	72374548	2	HEXAGONAL HEAD BOLT	DIN 933 M20X65 GWA-10.9
	72311793	6	DISC	DIN 125-17-ST.A3L
	72348303	1	AXLE BEARING	
	72348307	1	AXLE BEARING	
	72391925	2	STOP	
	72392256	2	BUSH	
3	72374721	6	STUD BOLT	DIN 939 M16X130-10.9 N.V.GRT.
	72313760	6	STUD BOLT	DIN835-M16X140-10.9-N.V.GRT
4	72313282	6	NUT	DIN 934 M16-10
5	72315057	6	SPLIT WASHER	FWN 65208-16-A3L
6	72374544	4	HEXAGONAL HEAD BOLT	DIN 933 M20X55 GWA-10.9
7	72315059	6	SPLIT WASHER	FWN 65208-20-A3L
8	72374548	2	HEXAGONAL HEAD BOLT	DIN 933 M20X65 GWA-10.9
9	72348303	1	AXLE BEARING --> 152/2000	
	72348307	1	AXLE BEARING <-- 152/2001	
10	72393716	1	BUSH --> 152/2000	
	72393714	1	BUSH <-- 152/2001	
11	72311793	6	DISC <-- 152/2001	DIN 125-17-ST.A3L
12	72392256	2	BUSH <-- 152/2001	
13	72348304	1	AXLE BEARING --> 152/2000	
	72348305	1	AXLE BEARING <-- 152/2001	
14	72393716	1	BUSH --> 152/2000	
	72393714	1	BUSH <-- 152/2001	
18	72377197	2	V-RING <-- 152/2001	FWN65617-B65,7X78X7/1,5-AU90
19	72313160	2	CONE-TYPE LUBRICATING NIPPLE <-- 152/2001	

FARMER 303 (152/00001-99999)
2597



2597

<https://www.ebooklibonline.com>

Hello dear friend!

Thank you very much for reading.

Enter the link into your browser.

The full manual is available for immediate download.

<https://www.ebooklibonline.com>