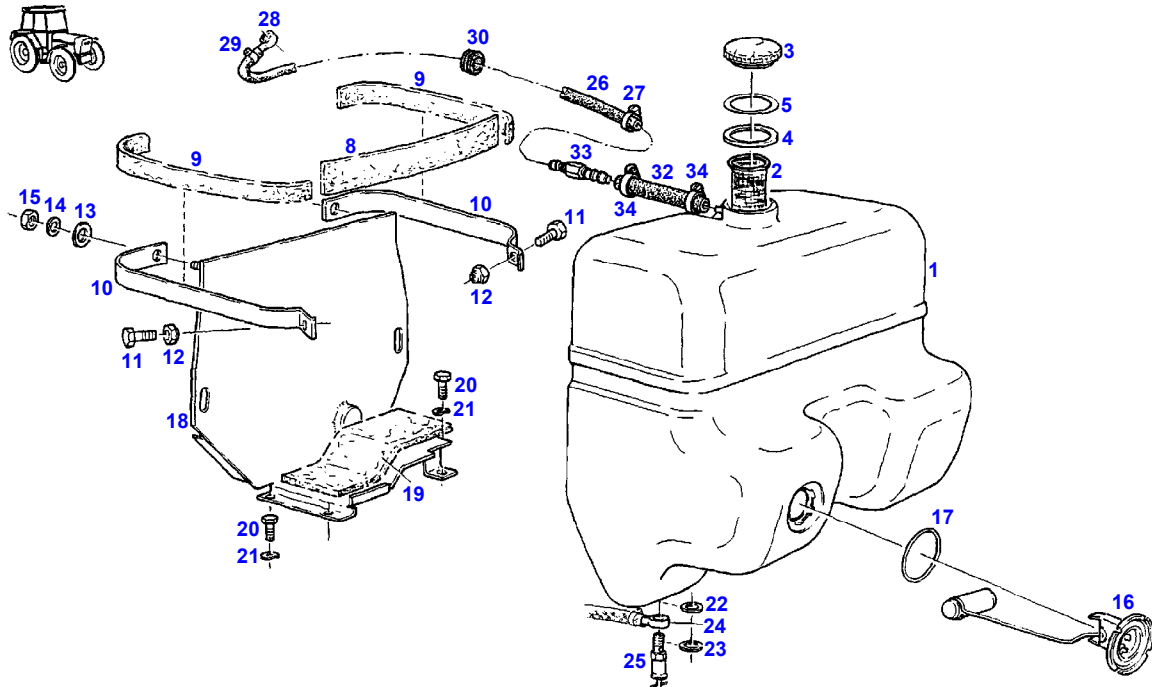


**TABLE OF CONTENT**

<b>Page Number</b>	<b>Page Title</b>	<b>Page Reference</b>
01-000-TOC	ENGINE, FUEL AND EXHAUST SYSTEM	01-000-TOC
02-000-TOC	AXLES	02-000-TOC
03-000-TOC	STEERING SYSTEM	03-000-TOC
04-000-TOC	DRIVE TRAIN SYSTEM	04-000-TOC
05-000-TOC	COMPRESSED AIR SYSTEM	05-000-TOC
06-000-TOC	HYDRAULIC SYSTEM	06-000-TOC
07-000-TOC	ELECTRICAL SYSTEM	07-000-TOC
08-000-TOC	CAB	08-000-TOC
09-000-TOC	AIR CONDITIONING AND HEATING SYSTEM	09-000-TOC
10-000-TOC	CHASSIS	10-000-TOC
11-000-TOC	WHEELS	11-000-TOC
12-000-TOC	IMPLEMENT LIFT SYSTEM FRONT	12-000-TOC
13-000-TOC	IMPLEMENT LIFT SYSTEM REAR	13-000-TOC
14-000-TOC	FRONT/REAR LOADERS	14-000-TOC
15-000-TOC	ATTACHMENTS	15-000-TOC
16-000-TOC	ACCESSORIES	16-000-TOC

FARMER 280P (248/00001-99999)  
12410



12410

Item	Part Number	Qty	Description Comments	Technical Specification
			--> 248/8148	
1	72348833	1	FUEL TANK <-- G210.202.060.011 1X CUT TO LENGTH <>	
	72424096	1	REDUCING STUD	GRS8-6
	72429641	1	PLATE	
	72315462	4	SOCKET HEAD BOLT	DIN 912 M6X12-8.8A3L
	72450302	1	PRESSURE HOSE	L=1000
	72313434	4	O-RING	15,3X2,4-NBR 70-FWN56402
	72438345	2	HOSE CLIP	
2	72433112	1	STRAINER	60X100-MS
3	72380143	1	FUEL CAP KOEHLER ><4	M.BELUEF
	72348297	1	FUEL CAP LOCKABLE BLAU ><4+5	
4	72330725	1	SEAL BLAU	
	72312304	1	RUBBER SEAL KOEHLER	
5	72330726	1	SEAL	
8	72391503	1	BAND	
9	72391504	2	BAND	
10	72391501	2	BAND CLAMP	
11	72315657	2	HEXAGONAL HEAD BOLT	DIN 933 M8 X 30-8.8A3L
12	72313320	2	NUT	DIN6925-M8-8-A3L
13	72311789	2	DISC	DIN 125-10,5-ST.A3L
14	72311788	2	DISC	DIN 125-8,4-ST.A3L
15	72313268	2	NUT	DIN 934 M8-8A3L
16	72380146	1	FUEL LEVEL SENSOR ><17	
17	72315169	1	SEALING WASHER	
18	72354745	1	TANK SUPPORT	
19	72391502	1	BAND	
20	72315642	4	HEXAGONAL HEAD BOLT	DIN 933 M8 X 16-8.8A3L
21	72317121	4	SPRING WASHER	DIN 137 B8-MECH.VZK
22	72315093	1	SEALING WASHER	DIN 7603 A12X18-CU
23	72315094	1	SEALING WASHER	DIN 7603 A14X18-CU
24	72377531	1	RING HOSE NIPPLE	FWN65910-A-DN8
25	72380159	1	FUEL SHUT-OFF VALVE	
26	72450301	1	PRESSURE HOSE WITH 3 CYLINDER 1000 MM	L=1000
	72435830	1	PRESSURE HOSE WITH 4 CYLINDER 1130 MM CUT TO LENGTH	L=2100
27	72373477	1	HOSE CLIP	
28	72377530	1	RING HOSE NIPPLE	FWN65910-A-DN2
29	72438345	1	HOSE CLIP	
30	72379152	1	CABLE BUSHING	HV1305
32	72450353	1	PRESSURE HOSE 80 MM CUT TO LENGTH	L=200
33	72424096	1	REDUCING STUD	GRS8-6
34	72438345	2	HOSE CLIP	

**<https://www.ebooklibonline.com>**

Hello dear friend!

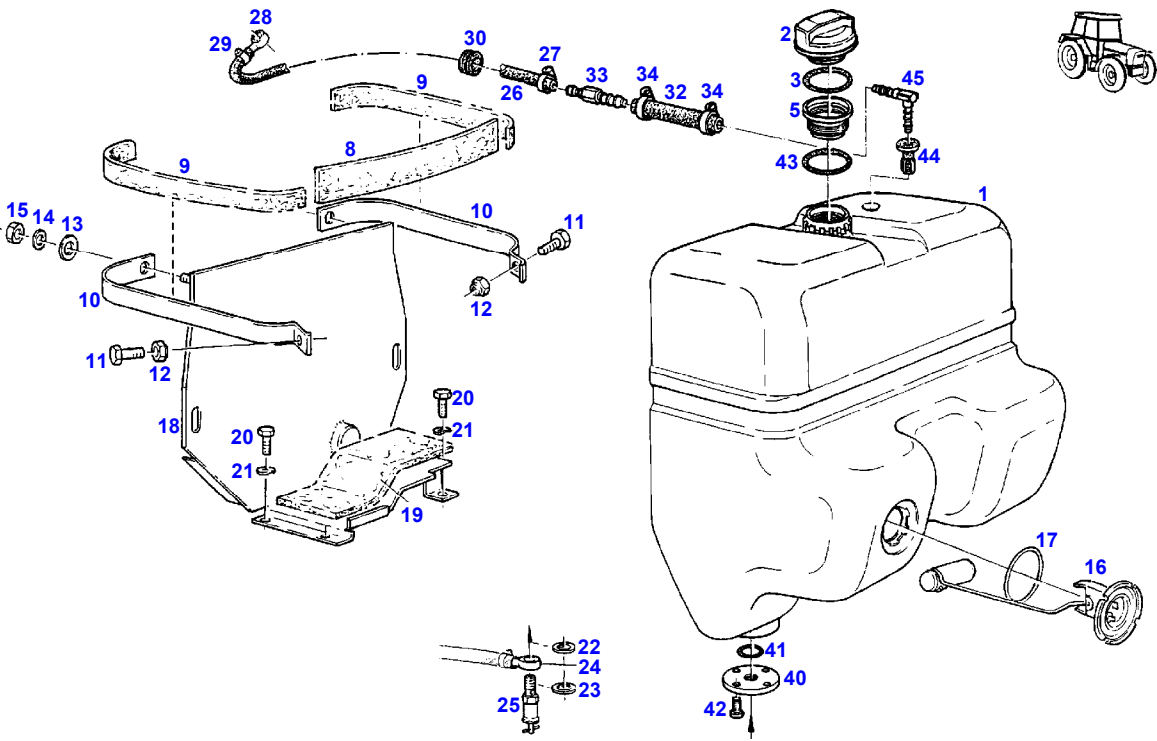
Thank you very much for reading.

Enter the link into your browser.

The full manual is available for immediate download.

**<https://www.ebooklibonline.com>**

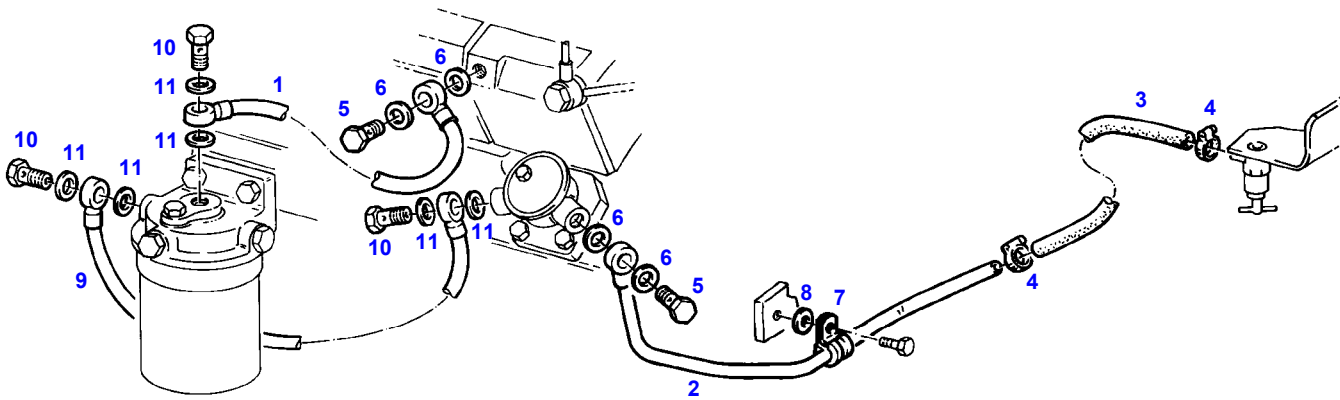
FARMER 280P (248/00001-99999)  
12627



12627

Item	Part Number	Qty	Description Comments	Technical Specification
			<-- 248/8149	
1	72426775	1	FUEL TANK ><2,3,5,40-45 <-- G210.202.060.011 <>	
	72315462	4	SOCKET HEAD BOLT	DIN 912 M6X12-8.8A3L
	72313434	4	O-RING	15,3X2,4-NBR 70-FWN56402
	72429641	1	PLATE	
2	72417260	1	FUEL CAP D=59 MM ><3	
	72423400	1	FUEL CAP D=59MM LOCKABLE ><3	
3	72376574	1	O-RING	59,2X5,7-NBR 70 FWN56402
5	72419182	1	THREADED INSERT	
8	72391503	1	BAND	
9	72391504	2	BAND	
10	72391501	2	BAND CLAMP	
11	72315657	2	HEXAGONAL HEAD BOLT	DIN 933 M8 X 30-8.8A3L
12	72313320	2	NUT	DIN6925-M8-8-A3L
13	72311789	2	DISC	DIN 125-10,5-ST.A3L
14	72311788	2	DISC	DIN 125-8,4-ST.A3L
15	72313268	2	NUT	DIN 934 M8-8A3L
16	72380146	1	FUEL LEVEL SENSOR ><17	
17	72315169	1	SEALING WASHER	
18	72354745	1	TANK SUPPORT	
19	72391502	1	BAND	
20	72315642	4	HEXAGONAL HEAD BOLT	DIN 933 M8 X 16-8.8A3L
21	72317121	4	SPRING WASHER	DIN 137 B8-MECH.VZK
22	72315093	1	SEALING WASHER	DIN 7603 A12X18-CU
23	72315094	1	SEALING WASHER	DIN 7603 A14X18-CU
24	72377531	1	RING HOSE NIPPLE	FWN65910-A-DN8
25	72380159	1	FUEL SHUT-OFF VALVE	
26	72450301	1	PRESSURE HOSE WITH 3 CYLINDER 1000 MM	L=1000
	72435830	1	PRESSURE HOSE WITH 4 CYLINDER 1130 MM CUT TO LENGTH	L=2100
27	72373477	1	HOSE CLIP	
28	72377530	1	RING HOSE NIPPLE	FWN65910-A-DN2
29	72438345	1	HOSE CLIP	
30	72379152	1	CABLE BUSHING	HV1305
32	72450353	1	PRESSURE HOSE 80 MM CUT TO LENGTH	L=200
33	72424096	1	REDUCING STUD	GRS8-6
34	72438345	2	HOSE CLIP	
40	72429641	1	PLATE	
41	72313437	1	O-RING	16X3-NBR 70 FWN56402
42	72315462	4	SOCKET HEAD BOLT	DIN 912 M6X12-8.8A3L
43	72431806	1	O-RING	75X4-NBR 70 FWN56402
44	72432122	1	RUBBER SEAL	
45	72431812	1	HOSE CONNECTOR FITTING	WS6

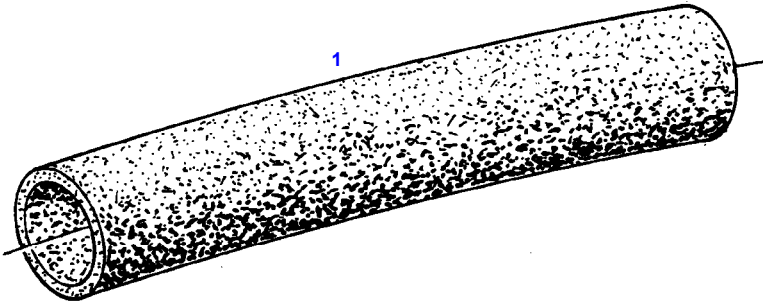
FARMER 280P (248/00001-99999)  
5015



5015

## FUEL LINES

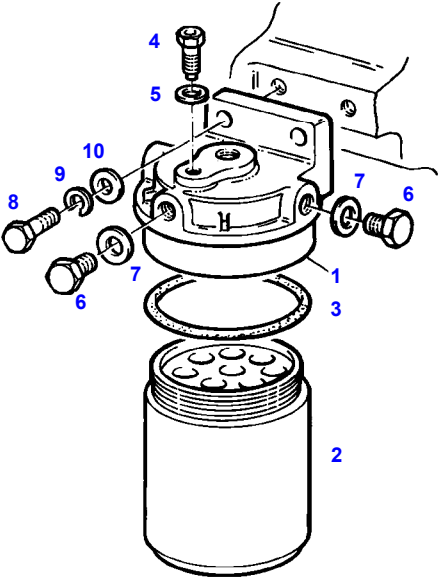
Item	Part Number	Qty	Description Comments	Technical Specification
1	72358112	1	FUEL LINE	
2	72358111	1	FUEL LINE	
3	72450303	1	PRESSURE HOSE 260 MM CUT TO LENGTH	L=1000
4	72438345	2	HOSE CLIP	
5	72315808	2	BANJO BOLT	DIN 7643-10-3-A3L
6	72315094	4	SEALING WASHER	DIN 7603 A14X18-CU
7	72311244	1	PIPE CLAMP	
8	72311788	1	DISC	DIN 125-8,4-ST.A3L
9	72355325	1	FUEL LINE	
10	72315808	3	BANJO BOLT	DIN 7643-10-3-A3L
11	72315094	6	SEALING WASHER	DIN 7603 A14X18-CU



8555

Item	Part Number	Qty	Description Comments	Technical Specification
			<b>RAPE SEED OIL METHYLATED ESTER (RME)</b>	
1	72436293	1	HEAT SHRINK TUBING 1X 2500 MM CUT TO LENGTH	L=2600
	72436294	X	HEAT SHRINK TUBING 1X 3000 MM CUT TO LENGTH	L=3100
	72436295	1	HEAT SHRINK TUBING 1X 2000 MM CUT TO LENGTH	L=2100

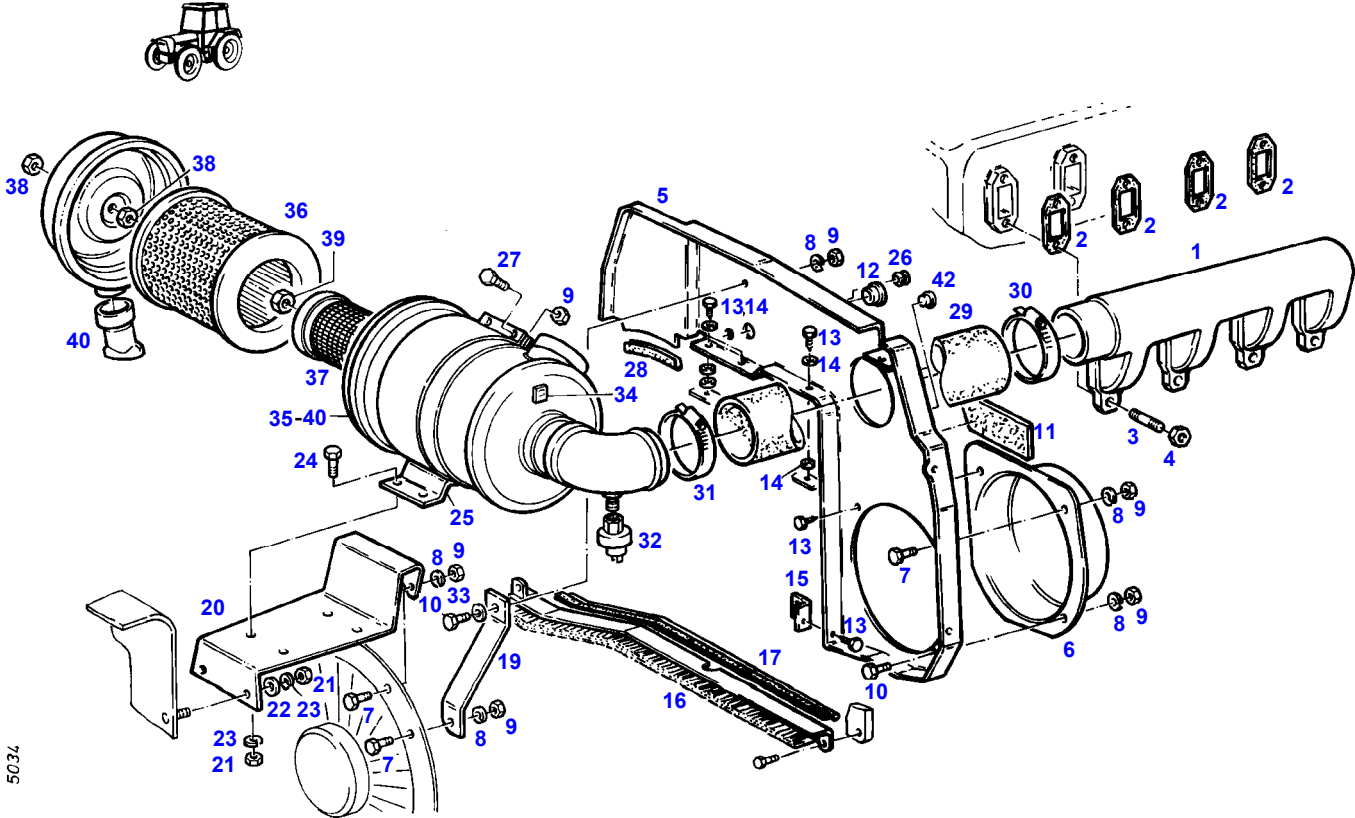
FARMER 280P (248/00001-99999)  
5016



5016

Item	Part Number	Qty	Description Comments	Technical Specification
1	72329259	1	FILTER ><1-5	
2	72326245	1	FILTER BOX ><2+3	
3	72314995	1	RUBBER RING	
4	72380171	1	BLEED SCREW	
5	72315084	1	SEALING WASHER	DIN 7603 A6X10-CU
6	72315799	2	PLUG	DIN 7604 AM14X1,5-A3L
7	72315094	2	SEALING WASHER	DIN 7603 A14X18-CU
8	72315653	2	HEXAGONAL HEAD BOLT	DIN 933 M8 X 25-8.8A3L
9	72315053	2	SPLIT WASHER	FWN 65208-8-A3L
10	72311824	2	DISC	DIN9021-8,4-140HV-A3L

FARMER 280P (248/00001-99999)  
5034



5034

Item	Part Number	Qty	Description Comments	Technical Specification
			--> 248/0434	
1	72323819	1	SUCTION PIPE	
2	72431538	4	SEAL REPLACE ALL SEALS	
3	72373907	8	STUD BOLT	DIN 835 M8X35-8.8
4	72313268	8	NUT	DIN 934 M8-8A3L
5	72358118	1	BARRIER WALL <>	
	72315635	2	HEXAGONAL HEAD BOLT	DIN 933 M6X35-8.8A3L
	72358131	1	TUBING	
	72397849	2	PIPE	
	72358130	1	TUBING	
6	72425052	1	COVER	
7	72315631	4	HEXAGONAL HEAD BOLT	DIN 933 M6 X 20-8.8A3L
8	72315052	6	SPLIT WASHER	FWN 65208-6-A3L
9	72313266	8	NUT	DIN 934 M6-8A3L
10	72315629	2	HEXAGONAL HEAD BOLT	DIN 933 M6 X 12-8.8A3L
11	72397836	1	INSULATING PLATE	
12	72314758	1	LOCKING PLUG	SW-F25
13	72315821	5	SCREW	DIN7976-ST6,3X19-C-A3L
14	72311787	8	DISC	DIN 125-6,4-ST.A3L
15	72397839	1	ANGLE	
16	72358113	1	SEALING BRUSH	
17	72451235	1	PROTECTIVE STRIP 1X 425 MM CUT TO LENGTH	L=700 FWN 63040
19	72397840	1	BRACE	
20	72397833	1	RETAINER	
21	72313268	6	NUT	DIN 934 M8-8A3L
22	72311788	2	DISC	DIN 125-8,4-ST.A3L
23	72315053	6	SPLIT WASHER	FWN 65208-8-A3L
24	72315642	4	HEXAGONAL HEAD BOLT	DIN 933 M8 X 16-8.8A3L
25	72361211	1	RETAINER	
26	72379151	1	CABLE BUSHING	10X16X20
27	72315633	2	HEXAGONAL HEAD BOLT	DIN 933 M6X25-8.8A3L
28	72451141	1	PROTECTIVE STRIP 1X 110 MM CUT TO LENGTH	L=800 FWN 63040
29	72397837	1	HOSE PIECE	
30	72311170	1	HOSE CLIP	
31	72373528	1	HOSE CLIP	
32	72379888	1	MAINTENANCE SWITCH	
33	72311812	1	DISC	DIN 1440-8-ST.A3L
34	72398540	1	ABSORPTION INDICATOR 1,7	
	72390400	1	ABSORPTION INDICATOR 1,2	
	72407085	1	ABSORPTION INDICATOR 0,95	
35	72348836	1	AIR FILTER ><35-40 X591 135 296 0,1M <>	
	72373528	4	HOSE CLIP	
	72358115	1	INTAKE MANIFOLD	
	72397842	1	RUBBER ARCH	
	72339032	1	THREADED SOCKET	
	72377567	0	HOSE	DIN73411-70X5 R
36	72380181	1	MICRO-STAR INSERT	
37	72333112	1	SAFETY INSERT	
38	72313320	2	NUT <>	DIN6925-M8-8-A3L
	72313299	1	NUT	DIN 936-M16X1,5-17H
39	72333111	1	NUT	

---

Fendt

FARMER 280P (248/00001-99999)

F248000

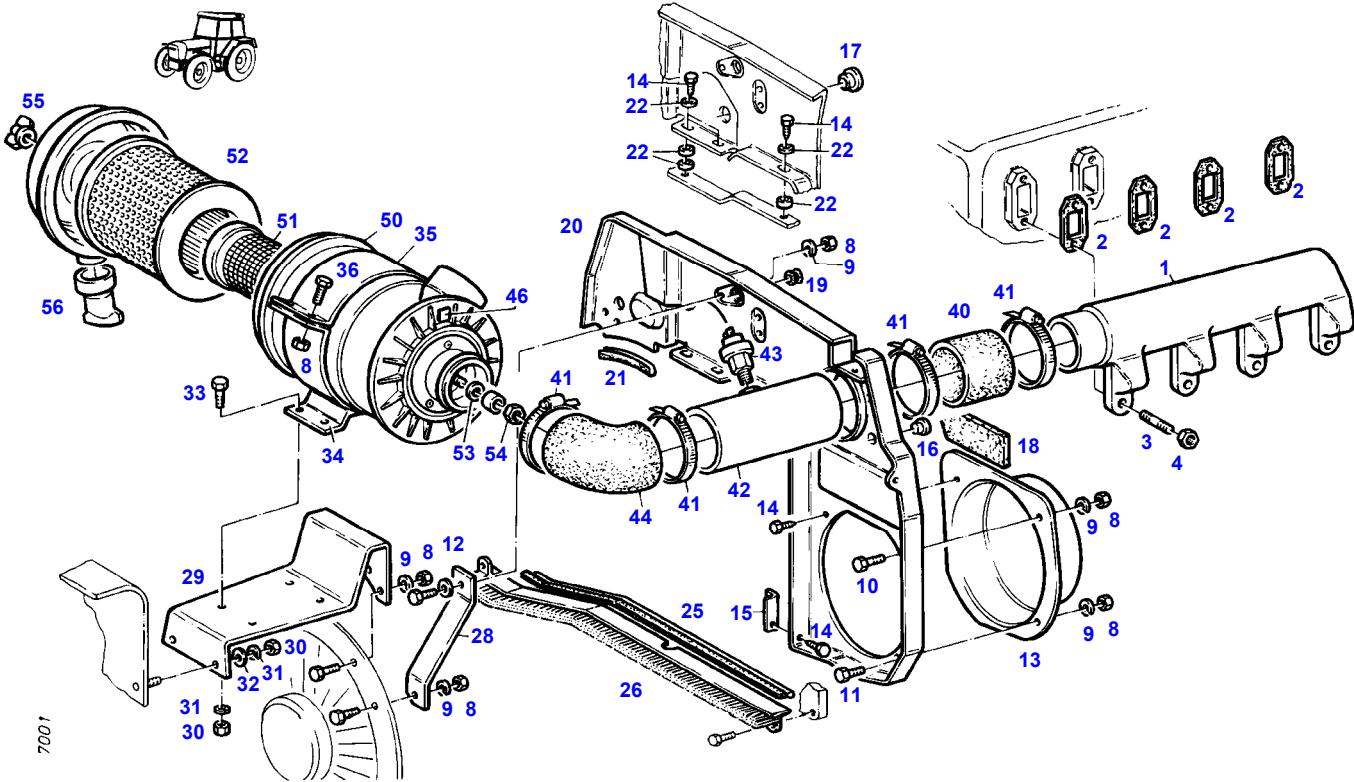
AIR FILTER

Page01-0008

---

Item	Part Number	Qty	Description Comments	Technical Specification
40	72332975	1	VALVE	
42	72314744	2	LOCKING PLUG	F4

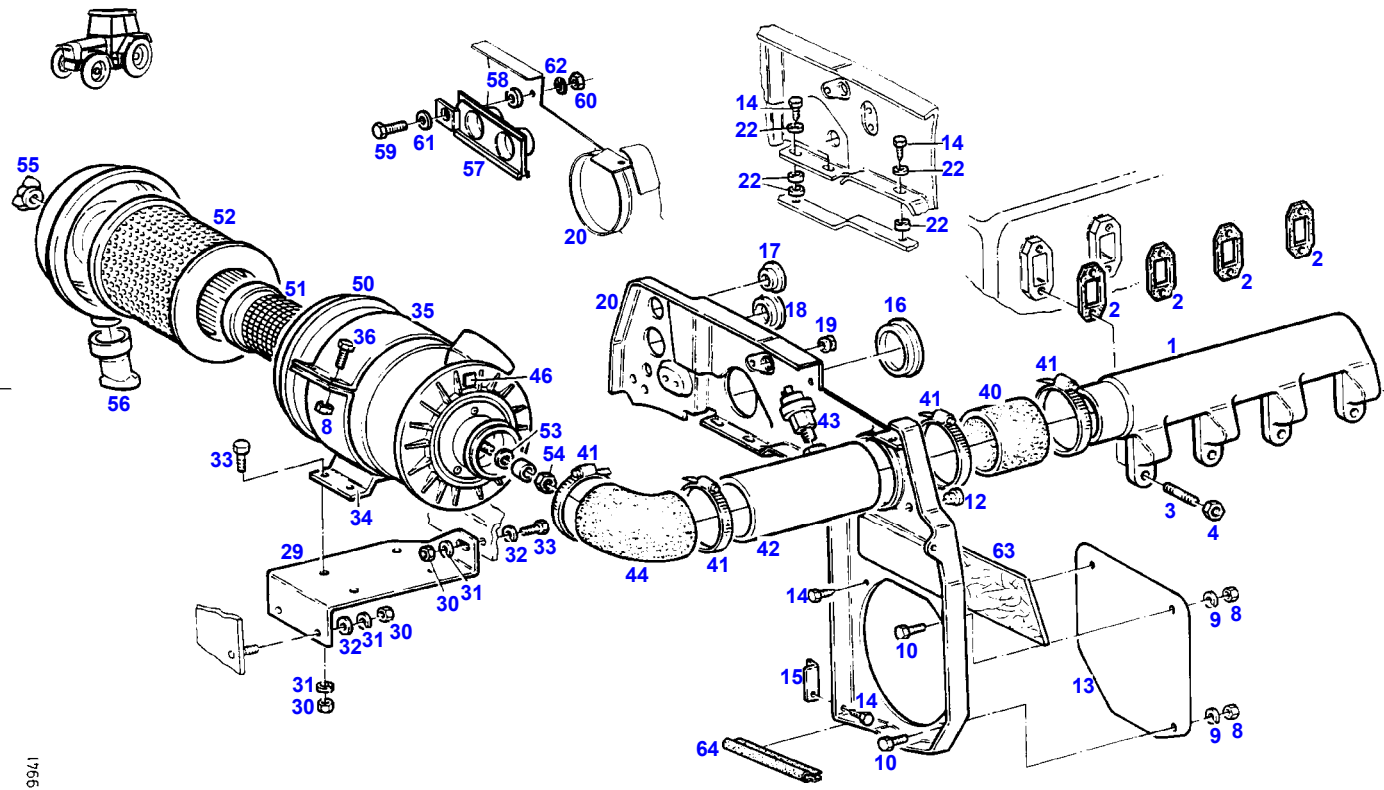
FARMER 280P (248/00001-99999)  
7001



Item	Part Number	Qty	Description Comments	Technical Specification
			<-- 248/0435 --> 248/1600	
1	72323819	1	SUCTION PIPE	
2	72431538	4	SEAL REPLACE ALL SEALS	
3	72373907	8	STUD BOLT	DIN 835 M8X35-8.8
4	72313268	8	NUT	DIN 934 M8-8A3L
8	72313266	8	NUT	DIN 934 M6-8A3L
9	72315052	6	SPLIT WASHER	FWN 65208-6-A3L
10	72315631	4	HEXAGONAL HEAD BOLT	DIN 933 M6 X 20-8.8A3L
11	72315629	2	HEXAGONAL HEAD BOLT	DIN 933 M6 X 12-8.8A3L
12	72311812	1	DISC	DIN 1440-8-ST.A3L
13	72425052	1	COVER	
14	72315821	5	SCREW	DIN7976-ST6,3X19-C-A3L
15	72397839	1	ANGLE	
16	72314744	2	LOCKING PLUG F4	F4
17	72314758	1	LOCKING PLUG F25	SW-F25
18	72397836	1	INSULATING PLATE	
19	72379151	1	CABLE BUSHING	10X16X20
20	72358118	1	BARRIER WALL -->248/0720 <> <>	
	72358130	1	TUBING	
	72397849	2	PIPE	
	72358131	1	TUBING	
	72315635	2	HEXAGONAL HEAD BOLT	DIN 933 M6X35-8.8A3L
21	72451141	1	PROTECTIVE STRIP 1X 110 MM CUT TO LENGTH	L=800 FWN 63040
22	72311787	8	DISC	DIN 125-6,4-ST.A3L
25	72451235	1	PROTECTIVE STRIP 1X 425 MM CUT TO LENGTH	L=700 FWN 63040
26	72358113	1	SEALING BRUSH	
28	72397840	1	BRACE	
29	72397833	1	RETAINER	
30	72313268	6	NUT	DIN 934 M8-8A3L
31	72315053	6	SPLIT WASHER	FWN 65208-8-A3L
32	72311788	2	DISC	DIN 125-8,4-ST.A3L
33	72315642	4	HEXAGONAL HEAD BOLT	DIN 933 M8 X 16-8.8A3L
34	72358116	1	RETAINER	
35	72397841	1	CLAMP	
36	72315633	2	HEXAGONAL HEAD BOLT	DIN 933 M6X25-8.8A3L
40	72450420	1	HOSE 1X 80 MM CUT TO LENGTH	L=120 DIN73411-70X5 R
41	72373528	4	HOSE CLIP	
42	72358115	1	INTAKE MANIFOLD	
43	72316876	1	MAINTENANCE SWITCH	
44	72397842	1	RUBBER ARCH	
46	72398540	1	ABSORPTION INDICATOR 1,7	
	72390400	1	ABSORPTION INDICATOR 1,2	
	72407085	1	ABSORPTION INDICATOR 0,95	
50	72348836	1	AIR FILTER ><50-56	
51	72333112	1	SAFETY INSERT <>	
	72313299	1	NUT	DIN 936-M16X1,5-17H
52	72380181	1	MICRO-STAR INSERT	

<b>Item</b>	<b>Part Number</b>	<b>Qty</b>	<b>Description Comments</b>	<b>Technical Specification</b>
53	72379537	1	DISK SPRING <--248/0868	DIN 2093 A16
54	72313320	1	NUT	DIN6925-M8-8-A3L
55	72333111	1	NUT -->248/0867	
	72333113	1	WING NUT <--248/0868	
	72431470	1	SPRING NUT <--248/0868	
56	72332975	1	VALVE	

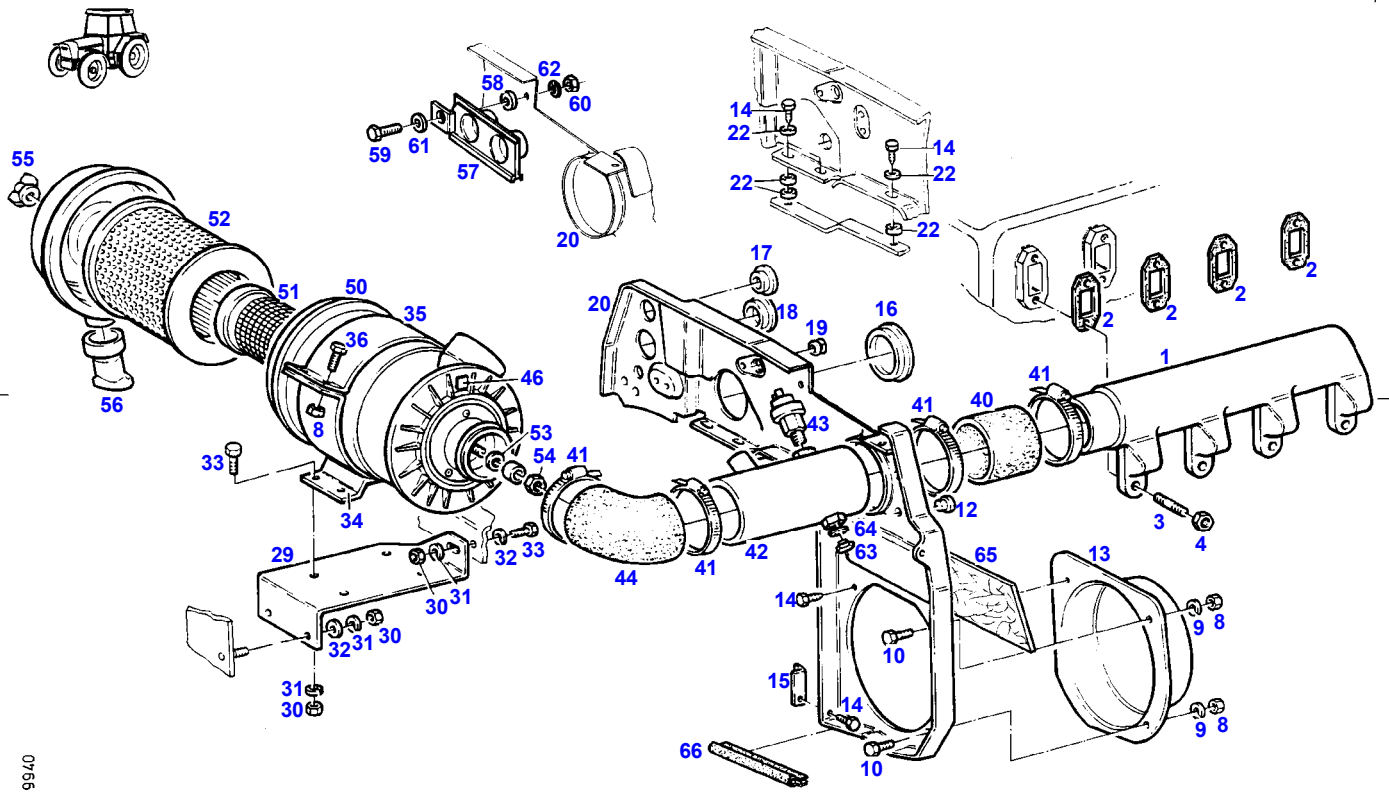
FARMER 280P (248/00001-99999)  
9941



1766

Item	Part Number	Qty	Description Comments	Technical Specification
			<-- 248/1601	
1	72323819	1	SUCTION PIPE	
2	72431538	4	SEAL REPLACE ALL SEALS	
3	72373907	8	STUD BOLT	DIN 835 M8X35-8.8
4	72313268	8	NUT	DIN 934 M8-8A3L
8	72313266	4	NUT	DIN 934 M6-8A3L
9	72315052	2	SPLIT WASHER	FWN 65208-6-A3L
10	72315629	2	HEXAGONAL HEAD BOLT	DIN 933 M6 X 12-8.8A3L
12	72314744	2	LOCKING PLUG F4	F4
13	72400510	1	COVER	
14	72315821	5	SCREW	DIN7976-ST6,3X19-C-A3L
15	72397839	1	ANGLE	
16	72402786	1	COVER	
17	72375089	1	LOCKING PLUG F23	F233
18	72314761	1	LOCKING PLUG F31	F31
19	72379152	1	CABLE BUSHING	HV1305
20	72359721	1	BARRIER WALL	
22	72311787	8	DISC	DIN 125-6,4-ST.A3L
29	72400508	1	RETAINER	
30	72313268	7	NUT	DIN 934 M8-8A3L
31	72315053	7	SPLIT WASHER	FWN 65208-8-A3L
32	72311788	2	DISC	DIN 125-8,4-ST.A3L
33	72315642	5	HEXAGONAL HEAD BOLT	DIN 933 M8 X 16-8.8A3L
34	72358116	1	RETAINER	
35	72397841	1	CLAMP	
36	72315633	2	HEXAGONAL HEAD BOLT	DIN 933 M6X25-8.8A3L
40	72450420	1	HOSE 1X 80 MM CUT TO LENGTH	L=120 DIN73411-70X5 R
41	72373528	4	HOSE CLIP	
42	72358115	1	INTAKE MANIFOLD	
43	72316876	1	MAINTENANCE SWITCH	
44	72397842	1	RUBBER ARCH	
46	72398540	1	ABSORPTION INDICATOR 1,7	
	72390400	1	ABSORPTION INDICATOR 1,2	
	72407085	1	ABSORPTION INDICATOR 0,95	
50	72348836	1	AIR FILTER ><50-56	
51	72333112	1	SAFETY INSERT <>	
	72313299	1	NUT	DIN 936-M16X1,5-17H
52	72380181	1	MICRO-STAR INSERT	
53	72379537	1	DISK SPRING	DIN 2093 A16
54	72313320	1	NUT	DIN6925-M8-8-A3L
55	72333113	1	WING NUT	
	72431470	1	SPRING NUT	
56	72332975	1	VALVE	
57	72315927	1	SEAL	
58	72311894	1	DISC	
59	72315633	1	HEXAGONAL HEAD BOLT	DIN 933 M6X25-8.8A3L
60	72313266	1	NUT	DIN 934 M6-8A3L
61	72311822	1	DISC	DIN9021-6,4-140HV-A3L
62	72315052	1	SPLIT WASHER	FWN 65208-6-A3L
63	72397836	1	INSULATING PLATE	
64	72451235	1	PROTECTIVE STRIP 1X 175 MM CUT TO LENGTH	L=700 FWN 63040

FARMER 280P (248/00001-99999)  
 9940

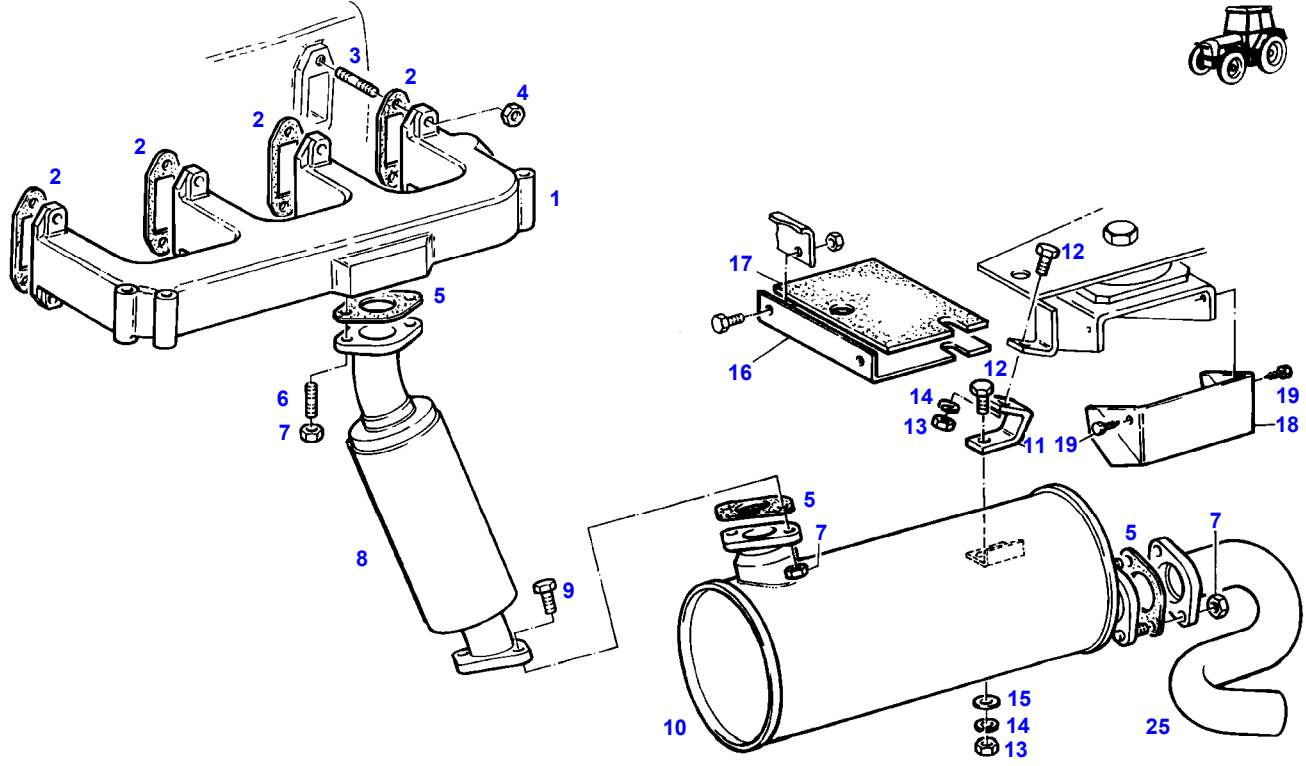


9940

Item	Part Number	Qty	Description Comments	Technical Specification
<b>AIR SUPPLY EQUIPMENT AND/OR ARI COND.</b>				
1	72323819	1	SUCTION PIPE	
2	72431538	4	SEAL REPLACE ALL SEALS	
3	72373907	8	STUD BOLT	DIN 835 M8X35-8.8
4	72313268	8	NUT	DIN 934 M8-8A3L
8	72313266	4	NUT	DIN 934 M6-8A3L
9	72315052	2	SPLIT WASHER	FWN 65208-6-A3L
10	72315629	2	HEXAGONAL HEAD BOLT	DIN 933 M6 X 12-8.8A3L
12	72314744	2	LOCKING PLUG F4	F4
13	72425052	1	COVER AIR SUPPLY EQUIPMENT AND/OR ARI COND. -->248/1600	
	72425052	1	COVER WITH AIR CONDITION <--248/1601	
	72400510	1	COVER WITH AIR BRAKING SYSTEM <--248/1601	
14	72315821	5	SCREW	DIN7976-ST6,3X19-C-A3L
15	72397839	1	ANGLE	
16	72402786	1	COVER	
17	72375089	1	LOCKING PLUG F23	F233
18	72314761	1	LOCKING PLUG F31	F31
19	72379152	1	CABLE BUSHING	HV1305
20	72359721	1	BARRIER WALL	
22	72311787	8	DISC	DIN 125-6,4-ST.A3L
29	72400508	1	RETAINER	
30	72313268	7	NUT	DIN 934 M8-8A3L
31	72315053	7	SPLIT WASHER	FWN 65208-8-A3L
32	72311788	2	DISC	DIN 125-8,4-ST.A3L
33	72315642	5	HEXAGONAL HEAD BOLT	DIN 933 M8 X 16-8.8A3L
34	72358116	1	RETAINER	
35	72397841	1	CLAMP	
36	72315633	2	HEXAGONAL HEAD BOLT	DIN 933 M6X25-8.8A3L
40	72450420	1	HOSE 1X 110MM	L=120 DIN73411-70X5 R
41	72373528	4	HOSE CLIP	
42	72359719	1	INTAKE MANIFOLD AIR BRAKING SYSTEM AIR SUPPLY EQUIPMENT WITH ARI CONDITION -->248/1600 <> <>	
	72315797	1	PLUG SCREW	DIN 7604 AM10X1-ST A3L
	72315088	1	SEALING WASHER	DIN 7603 A10X13,5-CU
	72358115	1	INTAKE MANIFOLD AIR CONDITION	
43	72316876	1	MAINTENANCE SWITCH	
44	72397842	1	RUBBER ARCH	
46	72398540	1	ABSORPTION INDICATOR 1,7	
	72390400	1	ABSORPTION INDICATOR 1,2	
	72407085	1	ABSORPTION INDICATOR 0,95	
50	72348836	1	AIR FILTER ><50-56	
51	72333112	1	SAFETY INSERT <>	
	72313299	1	NUT	DIN 936-M16X1,5-17H

Item	Part Number	Qty	Description Comments	Technical Specification
52	72380181	1	MICRO-STAR INSERT	
53	72379537	1	DISK SPRING <--248/0868	DIN 2093 A16
54	72313320	1	NUT	DIN6925-M8-8-A3L
55	72333111	1	NUT -->248/0867	
	72333113	1	WING NUT <--248/0868	
	72431470	1	SPRING NUT <--248/0868	
56	72332975	1	VALVE	
57	72315927	1	SEAL <--248/1601	
58	72311894	1	DISC <--248/1601	
59	72315633	1	HEXAGONAL HEAD BOLT <--248/1601	DIN 933 M6X25-8.8A3L
60	72313266	1	NUT <--248/1601	DIN 934 M6-8A3L
61	72311822	1	DISC <--248/1601	DIN9021-6,4-140HV-A3L
62	72315052	1	SPLIT WASHER <--248/1601	FWN 65208-6-A3L
63	72315797	1	PLUG SCREW  <--248/1601	DIN 7604 AM10X1-ST A3L
64	72315088	1	SEALING WASHER <--248/1601	DIN 7603 A10X13,5-CU
65	72397836	1	INSULATING PLATE	
66	72451235	1	PROTECTIVE STRIP 1X 175 MM CUT TO LENGTH	L=700 FWN 63040

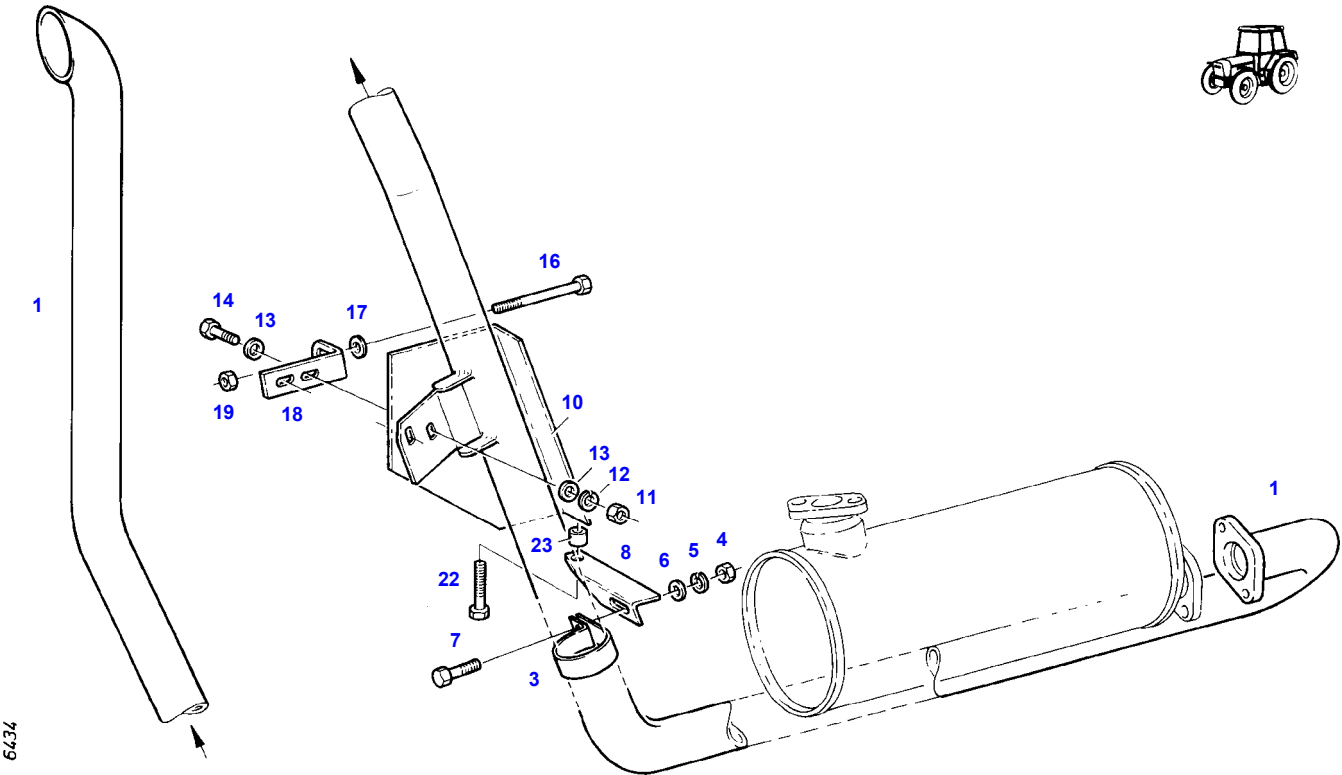
FARMER 280P (248/00001-99999)  
5022



5022

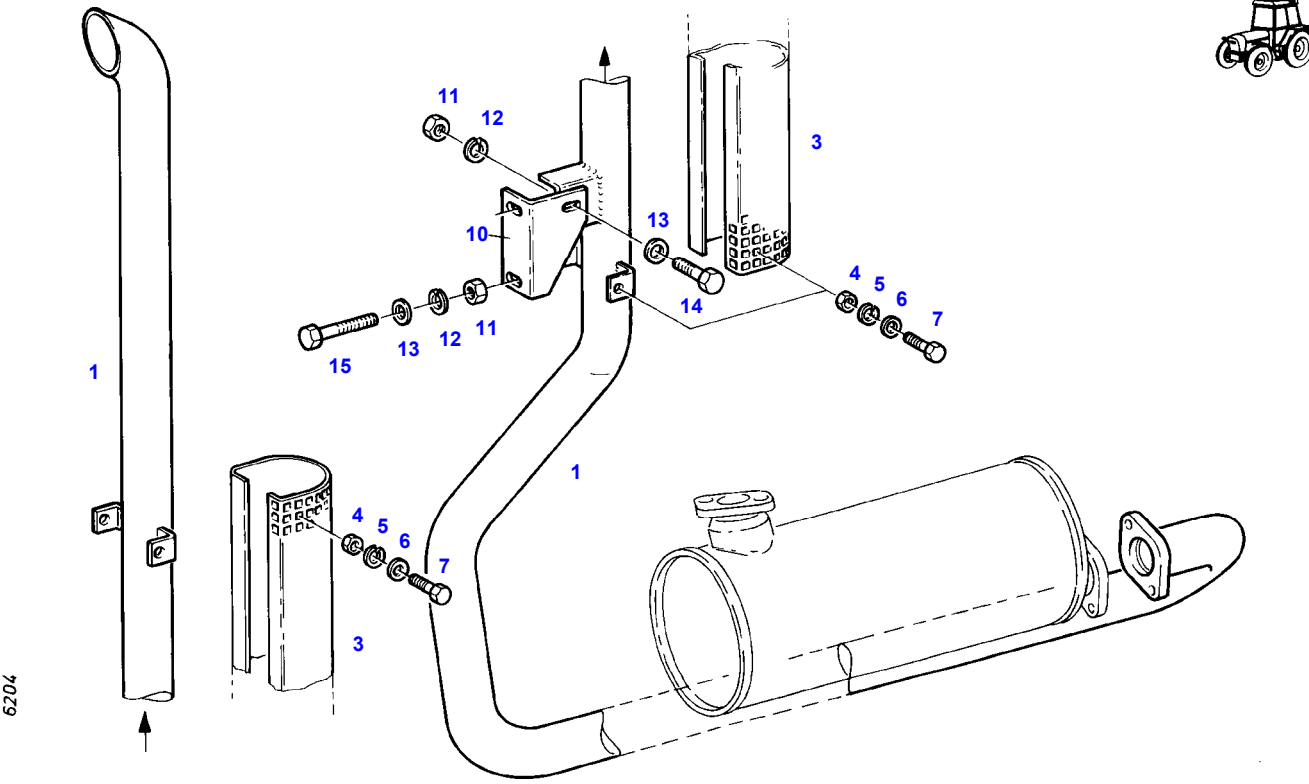
Item	Part Number	Qty	Description Comments	Technical Specification
1	72398541	1	EXHAUST COLLECTING PIPE	
2	72431541	4	SEAL REPLACE ALL SEALS	
3	72373907	8	STUD BOLT	DIN 835 M8X35-8.8
4	72324283	8	NUT	
5	72376173	3	SEAL	DIN71511-56X82X1,5-ST AFM5M.E.
6	72313776	2	STUD BOLT	DIN 939 M10X25-8.8
7	72313273	6	NUT	DIN 934 M10-MS
8	72358122	1	FRONT SILENCER	
9	72315685	2	HEXAGONAL HEAD BOLT	DIN 933 M10X30-8.8A3L
10	72363174	1	MUFFLER	
11	72397843	1	ANGLE	
12	72315646	2	HEXAGONAL HEAD BOLT	DIN 933 M8X18-8.8A3L
13	72313268	2	NUT	DIN 934 M8-8A3L
14	72315053	2	SPLIT WASHER	FWN 65208-8-A3L
15	72311788	1	DISC	DIN 125-8,4-ST.A3L
16	72397846	1	SPLASH PANEL	
17	72397847	1	INSULATING PLATE	
18	72397845	1	SCREENING SHIELD	
19	72315820	2	SCREW	DIN7976-ST6,3X13-C-A3L
25	72359726	1	TAIL PIPE	

FARMER 280P (248/00001-99999)  
6434



Item	Part Number	Qty	Description Comments	Technical Specification
<b>UPRIGHT</b>				
1	72359730	1	TAIL PIPE	
3	72408227	1	CLAMP	
4	72313266	1	NUT	DIN 934 M6-8A3L
5	72315052	1	SPLIT WASHER	FWN 65208-6-A3L
6	72311787	1	DISC	DIN 125-6,4-ST.A3L
7	72315626	1	HEXAGONAL HEAD BOLT	DIN 933-M6 X 16-8.8-A3L
8	72397857	1	ANGLE	
10	72397853	1	SCREENING SHIELD	
	72397855	1	SCREENING SHIELD 77DB(A)	
11	72313268	2	NUT	DIN 934 M8-8A3L
12	72315053	2	SPLIT WASHER	FWN 65208-8-A3L
13	72311788	4	DISC	DIN 125-8,4-ST.A3L
14	72315651	2	HEXAGONAL HEAD BOLT	DIN 933 M8X22-8.8A3L
16	72315701	1	HEXAGONAL HEAD BOLT	DIN 933-M10X120-8.8-A3L
17	72311789	1	DISC	DIN 125-10,5-ST.A3L
18	72400514	1	ANGLE	
19	72313272	1	NUT	DIN 934 M10-8A3L
22	72315665	1	HEXAGONAL HEAD BOLT	DIN 933 M8X45-8.8A3L
23	72316967	1	SPACER TUBE	

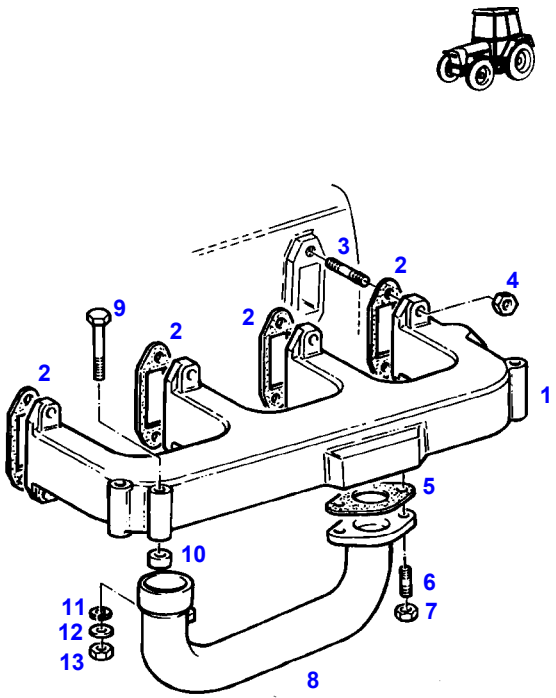
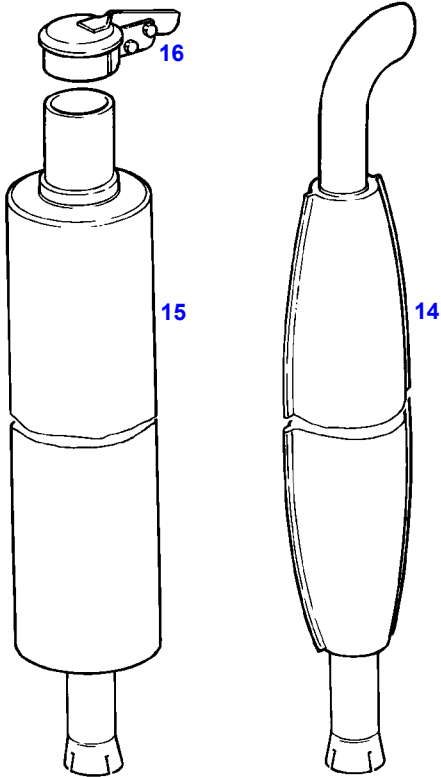
FARMER 280P (248/00001-99999)  
6204



6204

Item	Part Number	Qty	Description Comments	Technical Specification
			<b>UPRIGHT FRONTLOADER</b>	
1	72359728	1	TAIL PIPE	
3	72400513	1	SCREENING SHIELD	
4	72313264	4	NUT	DIN 934 M5-8A3L
5	72315051	4	SPLIT WASHER	FWN 65208-5-A3L
6	72311818	4	DISC	DIN9021-5,3-140HV-A3L
7	72315619	4	HEXAGONAL HEAD BOLT	DIN 933 M5X16-8.8A3L
10	72400512	1	ANGLE	
11	72313268	3	NUT	DIN 934 M8-8A3L
12	72315053	3	SPLIT WASHER	FWN 65208-8-A3L
13	72311788	4	DISC	DIN 125-8,4-ST.A3L
14	72315653	1	HEXAGONAL HEAD BOLT	DIN 933 M8 X 25-8.8A3L
15	72315665	2	HEXAGONAL HEAD BOLT	DIN 933 M8X45-8.8A3L

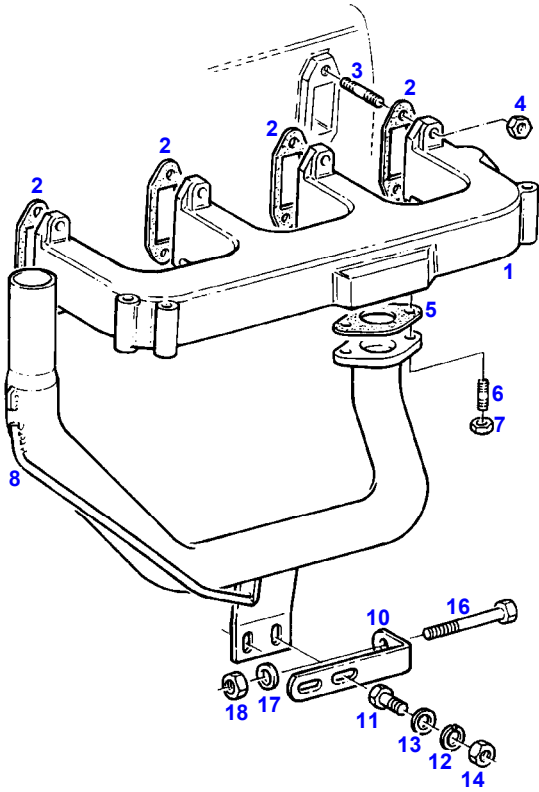
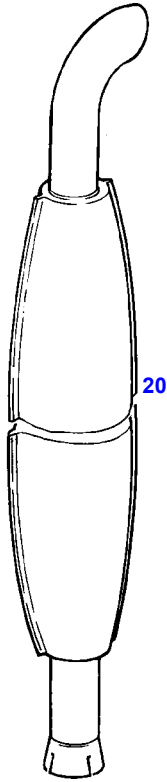
FARMER 280P (248/00001-99999)  
5020



5020

Item	Part Number	Qty	Description Comments	Technical Specification
			--> 248/0908	
1	72398541	1	EXHAUST COLLECTING PIPE	
2	72431541	4	SEAL REPLACE ALL SEALS	
3	72373907	8	STUD BOLT	DIN 835 M8X35-8.8
4	72324283	8	NUT	
5	72376173	1	SEAL	DIN71511-56X82X1,5-ST AFM5M.E.
6	72313776	2	STUD BOLT	DIN 939 M10X25-8.8
7	72313273	2	NUT	DIN 934 M10-MS
8	72358477	1	EXHAUST PIPE <-- H205.200.103.010 <> <>	
	72315651	2	HEXAGONAL HEAD BOLT	DIN 933 M8X22-8.8A3L
	72315553	1	HEXAGONAL HEAD BOLT	DIN 931 M10X110 GWA-10.9
	72315053	2	SPLIT WASHER	FWN 65208-8-A3L
	72311788	2	DISC	DIN 125-8,4-ST.A3L
	72313272	1	NUT	DIN 934 M10-8A3L
	72311789	1	DISC	DIN 125-10,5-ST.A3L
	72400514	1	ANGLE	
	72313268	2	NUT	DIN 934 M8-8A3L
9	72315525	1	HEXAGONAL HEAD BOLT	DIN 931 M8 X 90-8.8A3L
10	72315174	1	RING	
11	72311788	1	DISC	DIN 125-8,4-ST.A3L
12	72315053	1	SPLIT WASHER	FWN 65208-8-A3L
13	72313268	1	NUT	DIN 934 M8-8A3L
14	72358126	1	EXHAUST MUFFLER	
15	72354927	1	SPARK ARRESTER ><15+16 <-- H205.200.101.020	
16	72348659	1	EXHAUST WEATHER CAP	

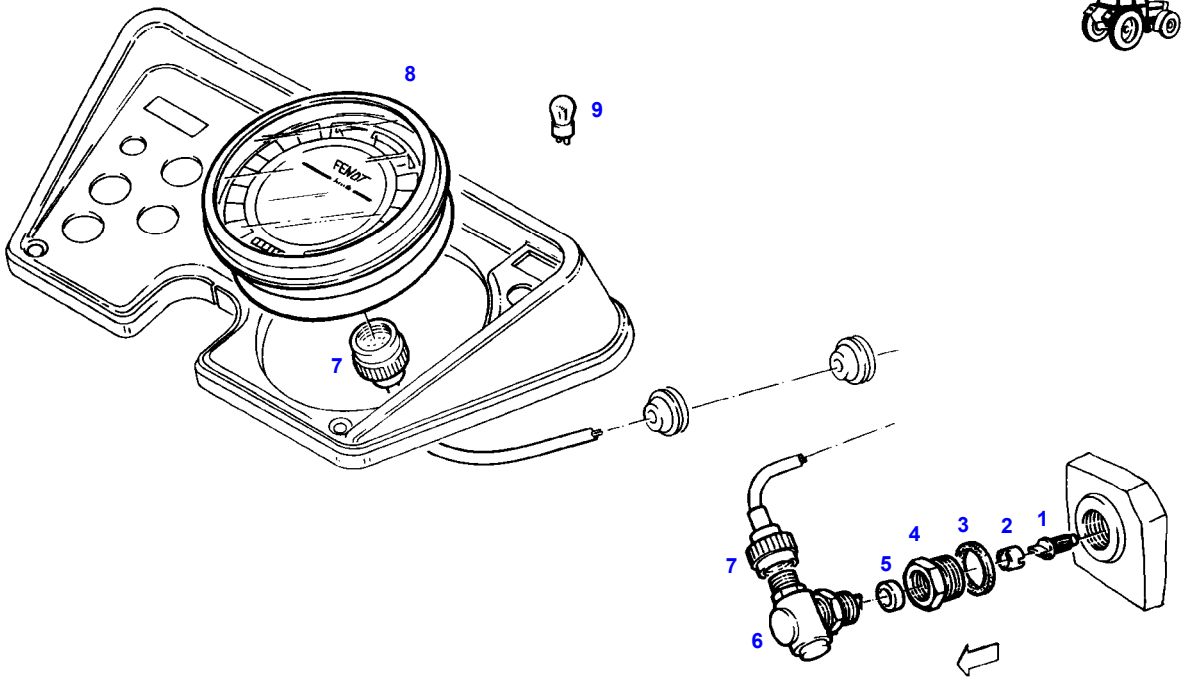
FARMER 280P (248/00001-99999)  
10200



10200

Item	Part Number	Qty	Description Comments	Technical Specification
			<-- 248/0909	
1	72398541	1	EXHAUST COLLECTING PIPE	
2	72431541	4	SEAL REPLACE ALL SEALS	
3	72373907	8	STUD BOLT	DIN 835 M8X35-8.8
4	72324283	8	NUT	
5	72376173	1	SEAL	DIN71511-56X82X1,5-ST AFM5M.E.
6	72313776	2	STUD BOLT	DIN 939 M10X25-8.8
7	72313273	2	NUT	DIN 934 M10-MS
8	72358127	1	EXHAUST PIPE	
10	72400514	1	ANGLE	
11	72315651	2	HEXAGONAL HEAD BOLT	DIN 933 M8X22-8.8A3L
12	72315053	2	SPLIT WASHER	FWN 65208-8-A3L
13	72311788	4	DISC	DIN 125-8,4-ST.A3L
14	72313268	2	NUT	DIN 934 M8-8A3L
16	72315553	1	HEXAGONAL HEAD BOLT	DIN 931 M10X110 GWA-10.9
17	72311789	1	DISC	DIN 125-10,5-ST.A3L
18	72313272	1	NUT	DIN 934 M10-8A3L
20	72358126	1	EXHAUST MUFFLER	

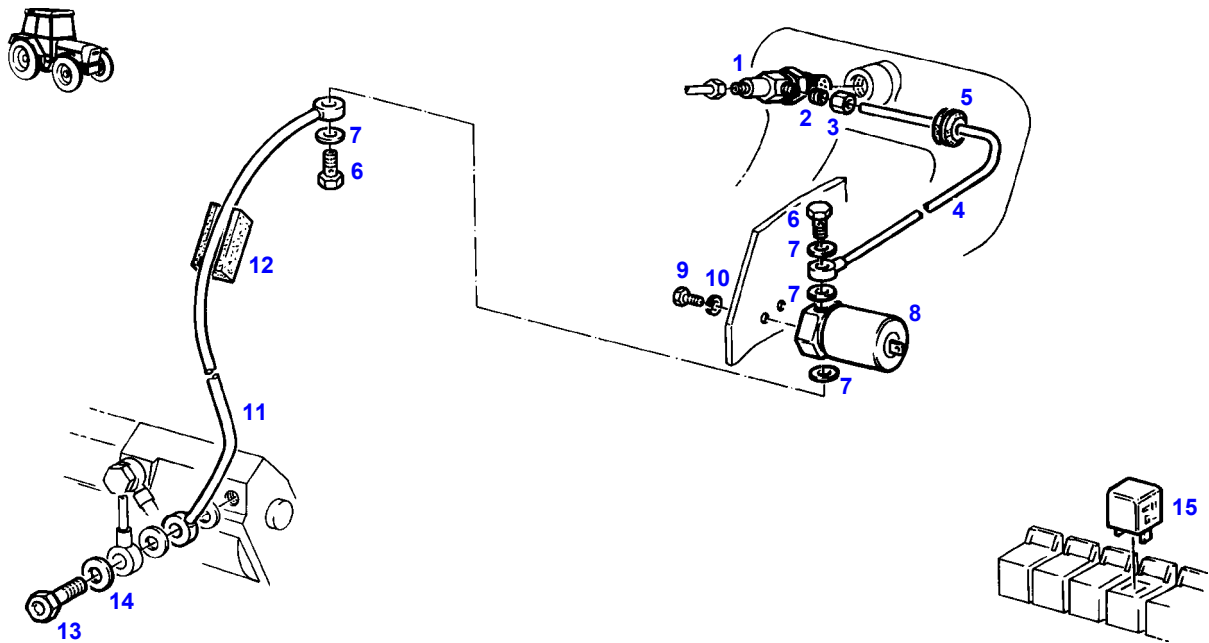
FARMER 280P (248/00001-99999)  
5013



5013

Item	Part Number	Qty	Description Comments	Technical Specification
			--> 248/1600	
1	72323885	1	SPIGOT	
2	72324243	1	DRIVER	
3	72376036	1	SEALING WASHER	DIN7603 A24X30-ALU
4	72324020	1	SCREW	
5	72323976	1	RING	
6	72379876	1	BEVEL GEAR SYSTEM	
7	72379883	1	DRIVE SHAFT 1125 MM <-- F248.200.160.010	1125LG
8	72379861	1	INSTRUMENT CLUSTER ><8+9	
9	72379261	15	FILAMENT BULB	12V2W

FARMER 280P (248/00001-99999)  
5024



5024



**Suggest:**

**For more complete manuals. Please go to the home page.**

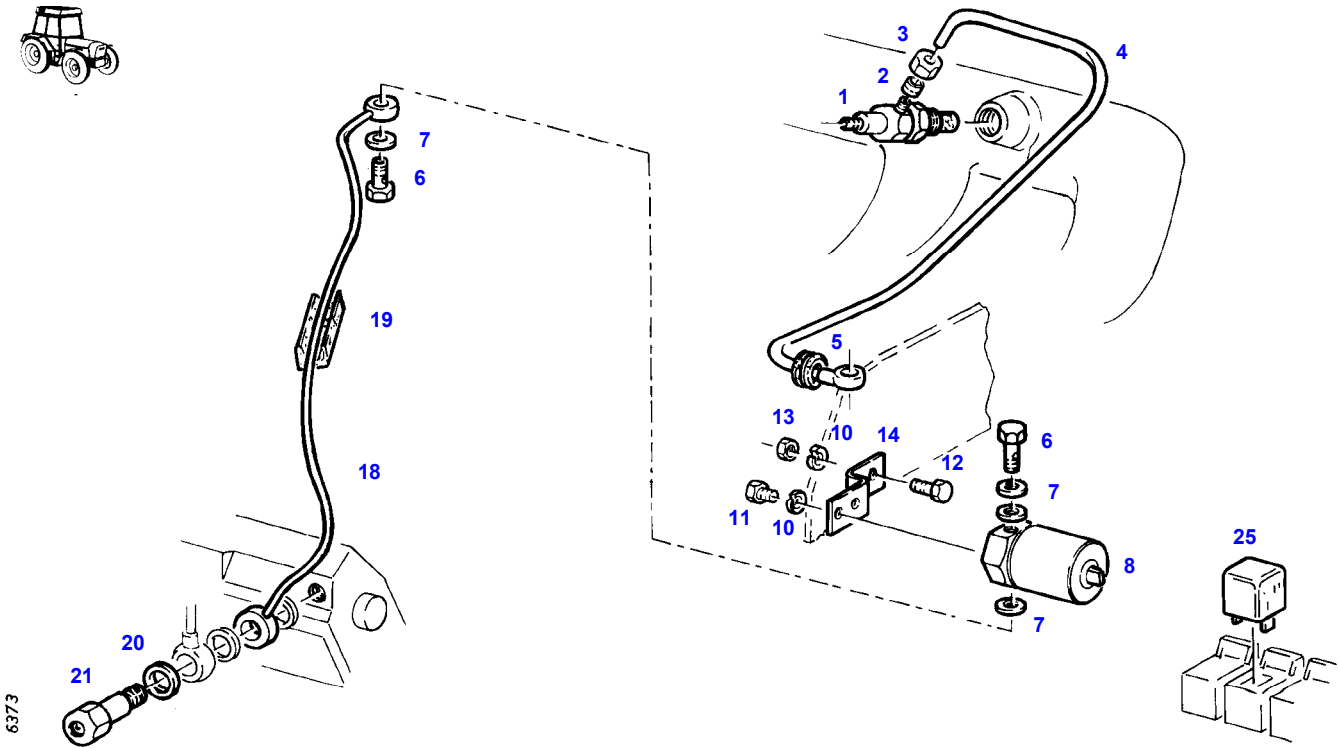
**<https://www.ebooklibonline.com>**

**If the above button click is invalid. Please download this document first, and then click the above link to download the complete manual.**

**Thank you so much for reading**

Item	Part Number	Qty	Description Comments	Technical Specification
			--> 248/0720	
1	72433489	1	ROD FLAME GLOW PLUG	
2	72377312	1	DOUBLE V-RING	DIN 3862-6-9SMNPB28K+G
3	72378005	1	CONNECTING NUT	DIN 3870 ALL6-9S20K A3L
4	72358129	1	TUBING	
5	72323527	1	RUBBER MOUNTING	
6	72315806	2	BANJO BOLT	DIN 7643-6-3-A3L
7	72315088	4	SEALING WASHER	DIN 7603 A10X13,5-CU
8	72317090	1	VALVE SOLENOID	
9	72315628	2	HEXAGONAL HEAD BOLT	DIN 933 M6X10-8.8A3L
10	72315052	2	SPLIT WASHER	FWN 65208-6-A3L
11	72358128	1	TUBING	
12	72393741	1	STRAP	
13	72324065	1	VALVE	
14	72315095	1	SEALING WASHER	DIN 7603 A14X20-CU
15	72428226	1	GLOW TIME RELAY	
			<>	
	72433489	1	ROD FLAME GLOW PLUG	

FARMER 280P (248/00001-99999)  
6373



Item	Part Number	Qty	Description Comments	Technical Specification
<b>AIR BRAKIN SYSTEM</b>				
1	72433489	1	ROD FLAME GLOW PLUG	
2	72377312	1	DOUBLE V-RING	DIN 3862-6-9SMNPB28K+G
3	72378005	1	CONNECTING NUT	DIN 3870 ALL6-9S20K A3L
4	72359723	1	TUBING	
5	72323527	1	RUBBER MOUNTING	
6	72315806	2	BANJO BOLT	DIN 7643-6-3-A3L
7	72315088	4	SEALING WASHER	DIN 7603 A10X13,5-CU
8	72317090	1	VALVE SOLENOID	
10	72315052	4	SPLIT WASHER	FWN 65208-6-A3L
11	72315628	2	HEXAGONAL HEAD BOLT	DIN 933 M6X10-8.8A3L
12	72315626	2	HEXAGONAL HEAD BOLT	DIN 933-M6 X 16-8.8-A3L
13	72313266	2	NUT	DIN 934 M6-8A3L
14	72400511	1	ANGLE	
18	72359722	1	TUBING	
19	72393741	1	STRAP	
20	72315095	1	SEALING WASHER	DIN 7603 A14X20-CU
21	72324065	1	VALVE	
25	72428226	1	GLOW TIME RELAY	
			<>	
	72433489	1	ROD FLAME GLOW PLUG	

**<https://www.ebooklibonline.com>**

Hello dear friend!

Thank you very much for reading.

Enter the link into your browser.

The full manual is available for immediate download.

**<https://www.ebooklibonline.com>**