

**TABLE OF CONTENT**

| <b>Page Number</b> | <b>Page Title</b>                   | <b>Page Reference</b> |
|--------------------|-------------------------------------|-----------------------|
| 01-000-TOC         | ENGINE, FUEL AND EXHAUST SYSTEM     | 01-000-TOC            |
| 02-000-TOC         | AXLES                               | 02-000-TOC            |
| 03-000-TOC         | STEERING SYSTEM                     | 03-000-TOC            |
| 04-000-TOC         | DRIVE TRAIN SYSTEM                  | 04-000-TOC            |
| 05-000-TOC         | COMPRESSED AIR SYSTEM               | 05-000-TOC            |
| 06-000-TOC         | HYDRAULIC SYSTEM                    | 06-000-TOC            |
| 07-000-TOC         | ELECTRICAL SYSTEM                   | 07-000-TOC            |
| 08-000-TOC         | CAB                                 | 08-000-TOC            |
| 09-000-TOC         | AIR CONDITIONING AND HEATING SYSTEM | 09-000-TOC            |
| 10-000-TOC         | CHASSIS                             | 10-000-TOC            |
| 11-000-TOC         | WHEELS                              | 11-000-TOC            |
| 12-000-TOC         | IMPLEMENT LIFT SYSTEM FRONT         | 12-000-TOC            |
| 13-000-TOC         | IMPLEMENT LIFT SYSTEM REAR          | 13-000-TOC            |
| 14-000-TOC         | FRONT/REAR LOADERS                  | 14-000-TOC            |
| 15-000-TOC         | ACCESSORIES                         | 15-000-TOC            |

| Page Number | Page Title  | Page Reference |
|-------------|---|----------------|
| 01-0001     | SPEED CONTROL<br>--> 207/0425                                       | 2010           |
| 01-0002     | SPEED CONTROL<br><-- 207/0426                                       | 2015           |
| 01-0003     | FUEL TANK<br>--> 207/8175   | 2020           |
| 01-0004     | FUEL TANK<br><-- 207/8176   | 2025           |
| 01-0005     | FUEL LINES  | 2030           |
| 01-0006     | SHRINK HOSE<br>RAPE SEED OIL METHYLATED ESTER                       | 2035           |
| 01-0007     | FUEL FILTER   | 2040           |
| 01-0008     | AIR FILTER<br>--> 207/0400  | 2050           |
| 01-0009     | AIR FILTER<br><-- 207/0401 --> 207/7000                             | 2053           |
| 01-0010     | AIR FILTER<br><-- 207/7001  | 2054           |
| 01-0011     | AIR FILTER<br>AIR SUPPLY EQUIPMENT AND/OR ARI COND.<br>--> 207/7000 | 2055           |
| 01-0012     | AIR FILTER<br>WITH AIR CONDITION<br><-- 207/7001                    | 2057           |
| 01-0013     | EXHAUST TO BOTTOM   | 2060           |
| 01-0014     | TAIL PIPE<br>UPRIGHT  | 2065           |
| 01-0015     | TAIL PIPE<br>UPRIGHT<br>FRONTLOADER<br>--> 207/7000                 | 2067           |
| 01-0016     | EXHAUST UPRIGHT<br>--> 207/0868                                     | 2070           |
| 01-0017     | EXHAUST UPRIGHT<br><-- 207/0869                                     | 2075           |
| 01-0018     | TRACTOMETER SYSTEM<br>--> 207/7000                                  | 2080           |
| 01-0019     | COLD STARTING AID<br>--> 207/0720                                   | 2090           |
| 01-0020     | COLD STARTING AID<br>AIR SUPPLY EQUIPMENT AND/OR ARI COND.          | 2093           |
| 01-0021     | COLD STARTING AID<br><-- 207/0721                                   | 2095           |
| 01-0022     | ENGINE STOP<br>--> 207/7000   | 2100           |
| 01-0023     | ENGINE STOP<br><-- 207/7001   | 2102           |
| 01-0024     | ENGINE STOP<br>RESERVE GEARS SHIFT<br><-- 207/7001                  | 2104           |
| 01-0025     | CRANKCASE<br>--> 207/7000   | 2110           |
| 01-0026     | CRANKCASE<br><-- 207/7001   | 2112           |
| 01-0027     | INTERM. GEAR WHEEL  | 2115           |
| 01-0028     | FRONT COVER   | 2120           |
| 01-0029     | BREATHER PIPE   | 2125           |
| 01-0030     | CYLINDER<br>--> 207/7000  | 2130           |
| 01-0031     | CYLINDER<br><-- 207/7001 --> 207/8059<br><-- 207/8061 --> 207/8159  | 2132           |
| 01-0032     | CYLINDER<br><-- 207/8060 --> 207/8060<br><-- 207/8160               | 2133           |
| 01-0033     | MASS BALANCER   | 2135           |
| 01-0034     | CRANKSHAFT  | 2140           |

| Page Number | Page Title   | Page Reference |
|-------------|--|----------------|
| 01-0035     | PISTON<br>--> 207/8059<br><-- 207/8061 --> 207/8159          | 2150           |
| 01-0036     | PISTON<br><-- 207/8060 --> 207/8060<br><-- 207/8160          | 2151           |
| 01-0037     | CAMSHAFT<br>--> 207/7000                                     | 2160           |
| 01-0038     | CAMSHAFT<br><-- 207/7001                                     | 2162           |
| 01-0039     | VALVE DRIVE<br>--> 207/7000                                  | 2170           |
| 01-0040     | VALVE DRIVE<br><-- 207/7001                                  | 2175           |
| 01-0041     | OIL PAN  | 2180           |
| 01-0042     | OIL PUMP<br>ENGINE NUMBER<br>--> 7760 432                    | 2190           |
| 01-0043     | OIL PUMP<br>ENGINE NUMBER<br><-- 7760 433                    | 2195           |
| 01-0044     | OIL COOLER   | 2200           |
| 01-0045     | OIL FILTER   | 2210           |
| 01-0046     | SUPPLY LINES   | 2220           |
| 01-0047     | LEAK OIL LINE  | 2230           |
| 01-0048     | INJECTION PUMP<br>--> 207/7000                               | 2240           |
| 01-0049     | INJECTION PUMP<br><-- 207/7001                               | 2242           |
| 01-0050     | REG. ROD LIMITATION<br><-- 207/7001                          | 2244           |
| 01-0051     | FUEL PUMP  | 2246           |
| 01-0052     | INJECTOR VALVE<br>ENGINE NUMBER<br>--> 7970 385              | 2250           |
| 01-0053     | INJECTOR VALVE<br>ENGINE NUMBER<br><-- 7970 386 --> 8472 885 | 2255           |
| 01-0054     | INJECTOR VALVE<br>ENGINE NUMBER<br><-- 8472 886              | 2257           |
| 01-0055     | COOLING AIR BLOWER<br>--> 207/7000                           | 2260           |
| 01-0056     | COOLING AIR BLOWER<br><-- 207/7001                           | 2265           |
| 01-0057     | FAN PANELLING  | 2270           |
| 01-0058     | FAN<br>AIR SUPPLY EQUIPMENT AND/OR ARI COND.<br>--> 207/7000 | 2280           |
| 01-0059     | FAN<br><-- 207/7001  | 2282           |

**<https://www.ebooklibonline.com>**

Hello dear friend!

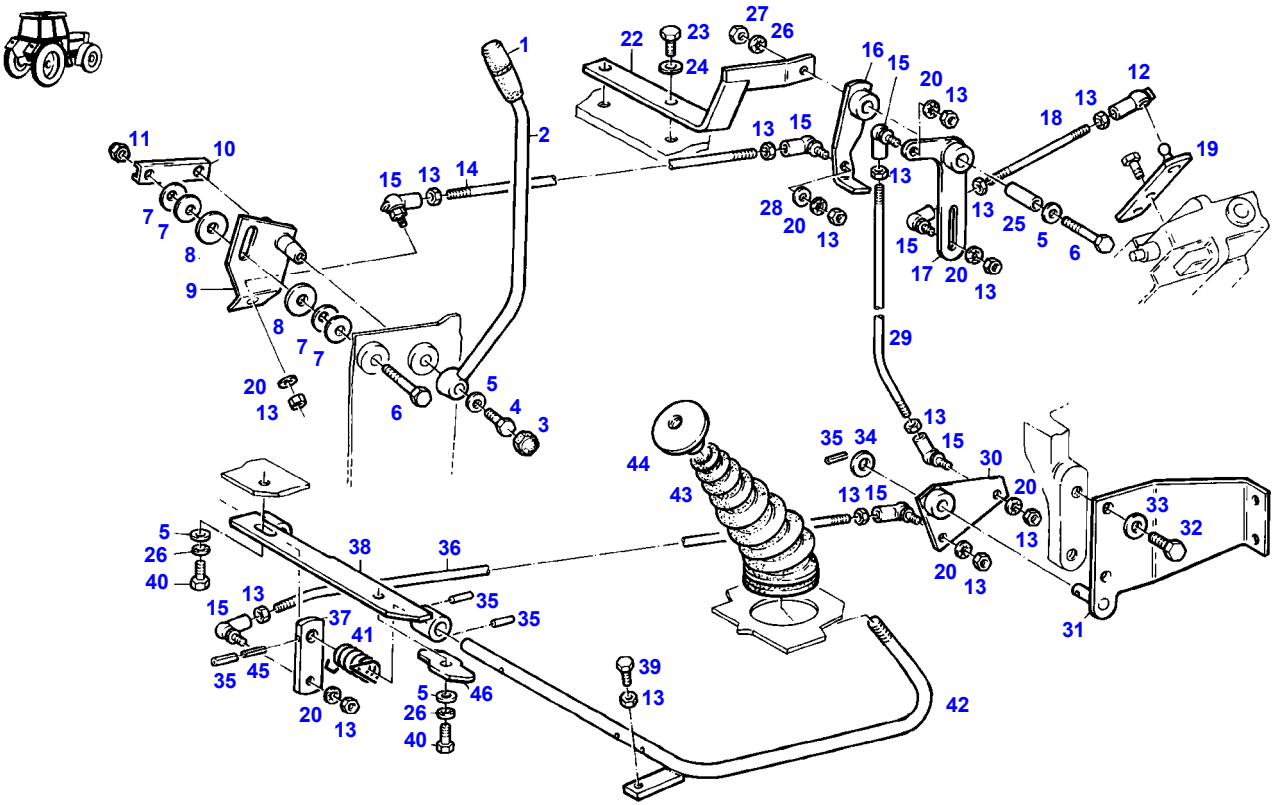
Thank you very much for reading.

Enter the link into your browser.

The full manual is available for immediate download.

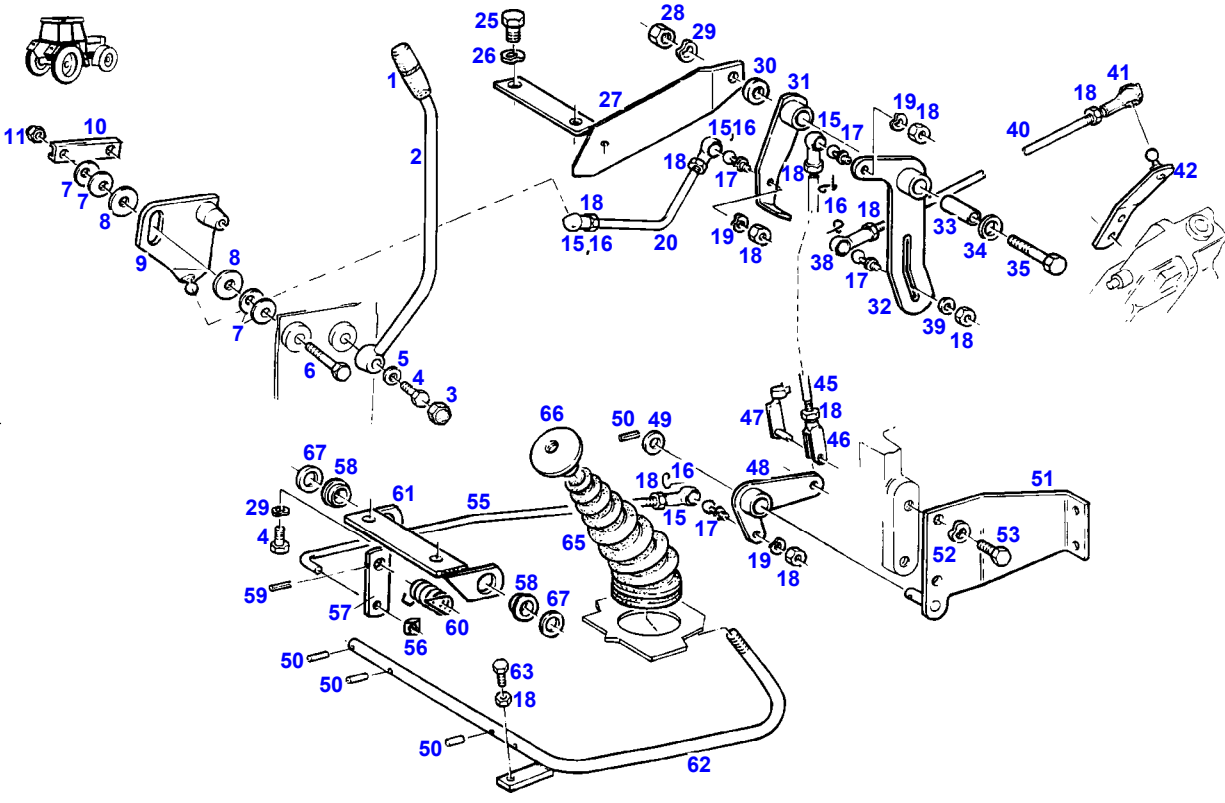
**<https://www.ebooklibonline.com>**

FARMER 270V (207/00001-99999)  
6188



| Item | Part Number | Qty | Description<br>Comments  | Technical Specification        |
|------|-------------|-----|--|--------------------------------|
|      |             |     | --> 207/0425   |                                |
| 1    | 72393661    | 1   | HANDLE GRIP  |                                |
| 2    | 72358110    | 1   | HAND THROTTLE LEVER  |                                |
| 3    | 72310930    | 1   | HEX HEAD PROTECTIVE CAP  | SW                             |
| 4    | 72315650    | 1   | HEXAGONAL HEAD BOLT  | DIN 933 M8 X 20-8.8A3L         |
| 5    | 72311788    | 3   | DISC   | DIN 125-8,4-ST.A3L             |
| 6    | 72315529    | 2   | HEXAGONAL HEAD BOLT  | DIN 931 M8X50-8.8A3L           |
| 7    | 72379553    | 4   | DISK SPRING  | 20X8,2X0,8                     |
| 8    | 72393657    | 2   | DISC   |                                |
| 9    | 72358108    | 1   | REVERSING LEVER  |                                |
| 10   | 72397827    | 1   | U-RAIL   |                                |
| 11   | 72313320    | 1   | NUT  | DIN6925-M8-8-A3L               |
| 12   | 72316305    | 1   | BALL SOCKET  | 10SXN03R                       |
| 13   | 72313266    | 15  | NUT  | DIN 934 M6-8A3L                |
| 14   | 72400505    | 1   | ROD  |                                |
| 15   | 72316303    | 7   | BALL SOCKET  | DIN 71805 B10-A3L              |
|      | 72317189    | 7   | SECURING CLIP  | DIN71805 S10-A3L               |
|      | 72313852    | 7   | BALL PIN   | DIN 71803-C10-ST-A3L           |
| 16   | 72363072    | 1   | LEVER  |                                |
| 17   | 72363070    | 1   | ADJUSTMENT LEVER   |                                |
| 18   | 72406864    | 1   | THREADED ROD   |                                |
| 19   | 72354156    | 1   | LEVER  |                                |
| 20   | 72317120    | 6   | SPRING WASHER  | DIN 137 B6-MECH.VZK            |
| 22   | 72363066    | 1   | RETAINER   |                                |
| 23   | 72315679    | 2   | HEXAGONAL HEAD BOLT  | DIN 933 M10X20-8.8A3L          |
| 24   | 72317122    | 2   | SPRING WASHER  | DIN 137 B10-MECH.VZK           |
| 25   | 72397831    | 1   | SPACER TUBE  |                                |
| 26   | 72317121    | 3   | SPRING WASHER  | DIN 137 B8-MECH.VZK            |
| 27   | 72313268    | 1   | NUT  | DIN 934 M8-8A3L                |
| 28   | 72311787    | 1   | DISC   | DIN 125-6,4-ST.A3L             |
| 29   | 72406862    | 1   | ROD  |                                |
| 30   | 72363068    | 1   | REVERSING LEVER  |                                |
| 31   | 72363071    | 1   | RETAINER   |                                |
| 32   | 72315711    | 2   | HEXAGONAL HEAD BOLT  | DIN 933 M12X35-8.8A3L          |
| 33   | 72317123    | 2   | SPRING WASHER  | DIN 137 B12-ZNPHR              |
| 34   | 72311804    | 1   | DISC   | DIN 433-13-ST.A3L              |
| 35   | 72313804    | 4   | TENSIONING PIN   | ISO8752-4X22-A-ST-ZNPHR10F-KOE |
| 36   | 72406861    | 1   | ROD<br><> 1X X536.604.822<br><>                                  |                                |
|      | 72311179    | 1   | DUO-CLIP   | 6 SXN10                        |
| 37   | 72397830    | 1   | DRIVER   |                                |
| 38   | 72363064    | 1   | SUPPORT<br>2X 178.200.020.010<br>2X X450.908.708<br><>           |                                |
|      | 72363065    | 1   | ACCELERATOR PEDAL  |                                |
|      | 72311804    | 2   | DISC   | DIN 433-13-ST.A3L              |
|      | 72393653    | 2   | BUSH   |                                |
| 39   | 72315631    | 1   | HEXAGONAL HEAD BOLT  | DIN 933 M6 X 20-8.8A3L         |
| 40   | 72315642    | 2   | HEXAGONAL HEAD BOLT  | DIN 933 M8 X 16-8.8A3L         |
| 41   | 72316505    | 1   | LEG SPRING   |                                |
| 42   | 72363065    | 1   | ACCELERATOR PEDAL<br>2X 178.200.020.010<br>2X X450.908.708<br><> |                                |
|      | 72393653    | 2   | BUSH   |                                |
|      | 72363064    | 1   | SUPPORT  |                                |
|      | 72311804    | 2   | DISC   | DIN 433-13-ST.A3L              |
| 43   | 72377290    | 1   | BELLOWS  |                                |
| 44   | 72363073    | 1   | PEDAL PLATE  |                                |
| 45   | 72428239    | 1   | TENSIONING PIN   | ISO8752-2,5X22-OB3             |
| 46   | 72400507    | 1   | FLOOR PAD  |                                |

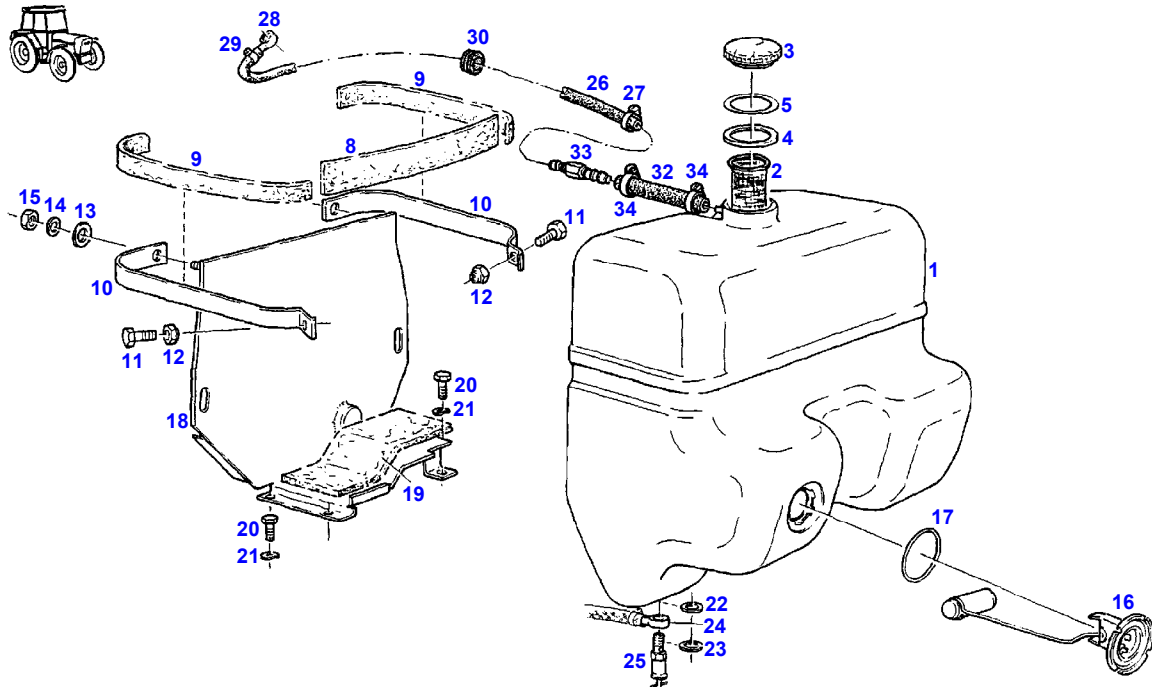
FARMER 270V (207/00001-99999)  
10056



10056

| Item | Part Number | Qty | Description<br>Comments | Technical Specification        |
|------|-------------|-----|-------------------------|--------------------------------|
|      |             |     | <-- 207/0426            |                                |
| 1    | 72393661    | 1   | HANDLE GRIP             |                                |
| 2    | 72358110    | 1   | HAND THROTTLE LEVER     |                                |
| 3    | 72310930    | 1   | HEX HEAD PROTECTIVE CAP | SW                             |
| 4    | 72315650    | 3   | HEXAGONAL HEAD BOLT     | DIN 933 M8 X 20-8.8A3L         |
| 5    | 72311788    | 1   | DISC                    | DIN 125-8,4-ST.A3L             |
| 6    | 72315529    | 1   | HEXAGONAL HEAD BOLT     | DIN 931 M8X50-8.8A3L           |
| 7    | 72379553    | 4   | DISK SPRING             | 20X8,2X0,8                     |
| 8    | 72393657    | 2   | DISC                    |                                |
| 9    | 72358108    | 1   | REVERSING LEVER         |                                |
| 10   | 72397827    | 1   | U-RAIL                  |                                |
| 11   | 72313320    | 1   | NUT                     | DIN6925-M8-8-A3L               |
| 15   | 72316303    | 4   | BALL SOCKET             | DIN 71805 B10-A3L              |
| 16   | 72317189    | 5   | SECURING CLIP           | DIN71805 S10-A3L               |
| 17   | 72313852    | 4   | BALL PIN                | DIN 71803-C10-ST-A3L           |
| 18   | 72313266    | 12  | NUT                     | DIN 934 M6-8A3L                |
| 19   | 72317120    | 3   | SPRING WASHER           | DIN 137 B6-MECH.VZK            |
| 20   | 72400505    | 1   | ROD                     |                                |
| 25   | 72315679    | 2   | HEXAGONAL HEAD BOLT     | DIN 933 M10X20-8.8A3L          |
| 26   | 72317122    | 2   | SPRING WASHER           | DIN 137 B10-MECH.VZK           |
| 27   | 72363066    | 1   | RETAINER                |                                |
| 28   | 72313268    | 1   | NUT                     | DIN 934 M8-8A3L                |
| 29   | 72317121    | 3   | SPRING WASHER           | DIN 137 B8-MECH.VZK            |
| 30   | 72311848    | 1   | DISC                    |                                |
| 31   | 72363072    | 1   | LEVER                   |                                |
| 32   | 72363070    | 1   | ADJUSTMENT LEVER        |                                |
| 33   | 72397831    | 1   | SPACER TUBE             |                                |
| 34   | 72311788    | 1   | DISC                    | DIN 125-8,4-ST.A3L             |
| 35   | 72315669    | 1   | HEXAGONAL HEAD BOLT     | DIN 933 M8X55-8.8A3L           |
| 38   | 72316362    | 1   | BALL SOCKET             |                                |
| 39   | 72311822    | 3   | DISC                    | DIN9021-6,4-140HV-A3L          |
| 40   | 72406864    | 1   | THREADED ROD            |                                |
|      |             |     | -->207/0545             |                                |
|      | 72406866    | 1   | THREADED ROD            |                                |
|      |             |     | <--207/0546             |                                |
| 41   | 72316305    | 1   | BALL SOCKET             | 10SXM03R                       |
| 42   | 72354156    | 1   | LEVER                   |                                |
| 45   | 72406862    | 1   | ROD                     |                                |
| 46   | 72311308    | 1   | CLEVIS                  | DIN 71752 G6X24-A3L            |
| 47   | 72310448    | 1   | BOLT                    | FWN 64072 6X24 A3L             |
| 48   | 72363068    | 1   | REVERSING LEVER         |                                |
| 49   | 72311804    | 1   | DISC                    | DIN 433-13-ST.A3L              |
| 50   | 72313804    | 4   | TENSIONING PIN          | ISO8752-4X22-A-ST-ZNPHR10F-KOE |
| 51   | 72363071    | 1   | RETAINER                |                                |
| 52   | 72317123    | 2   | SPRING WASHER           | DIN 137 B12-ZNPHR              |
| 53   | 72315711    | 2   | HEXAGONAL HEAD BOLT     | DIN 933 M12X35-8.8A3L          |
| 55   | 72406861    | 1   | ROD                     |                                |
| 56   | 72311179    | 1   | DUO-CLIP                | 6 SXM10                        |
| 57   | 72397830    | 1   | DRIVER                  |                                |
| 58   | 72393653    | 2   | BUSH                    |                                |
| 59   | 72428239    | 1   | TENSIONING PIN          | ISO8752-2,5X22-OB3             |
| 60   | 72316505    | 1   | LEG SPRING              |                                |
| 61   | 72363064    | 1   | SUPPORT                 |                                |
| 62   | 72363065    | 1   | ACCELERATOR PEDAL       |                                |
| 63   | 72315631    | 1   | HEXAGONAL HEAD BOLT     | DIN 933 M6 X 20-8.8A3L         |
| 65   | 72377290    | 1   | BELLOWS                 |                                |
| 66   | 72363073    | 1   | PEDAL PLATE             |                                |
| 67   | 72311791    | 2   | DISC                    | DIN 125-13-ST.A3L              |

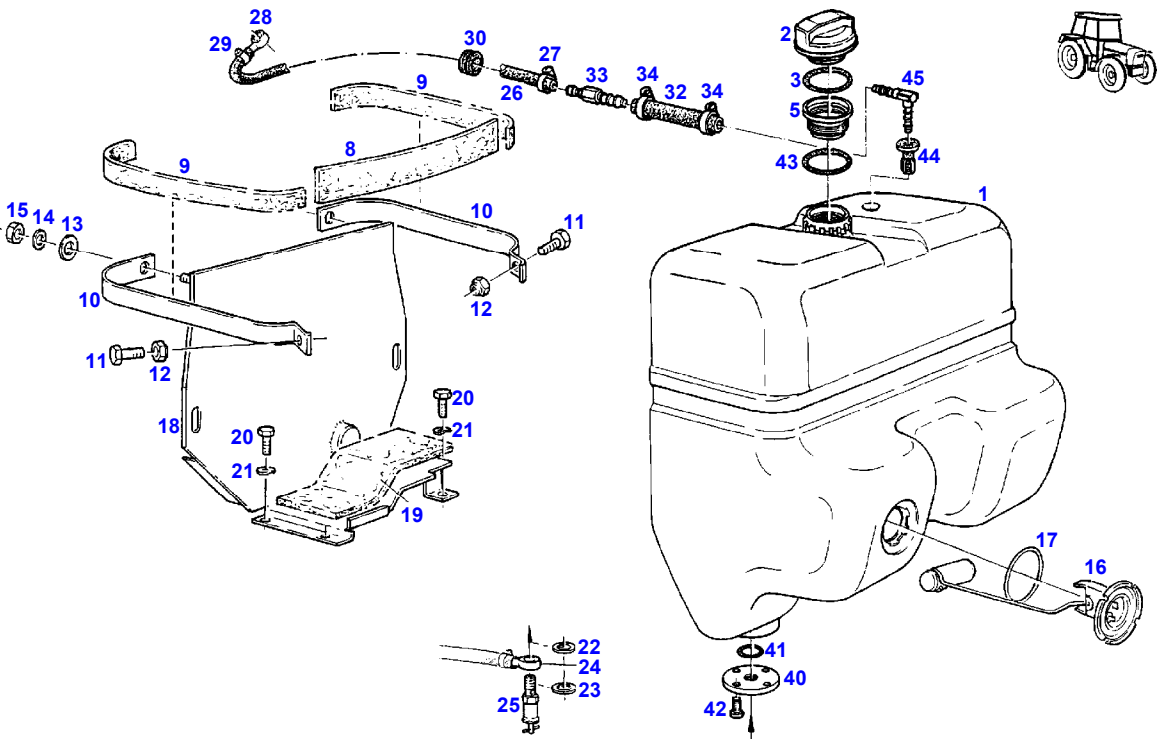
FARMER 270V (207/00001-99999)  
12410



12410

| Item | Part Number | Qty | Description<br>Comments                                      | Technical Specification  |
|------|-------------|-----|--|--------------------------|
|      |             |     | --> 207/8175   |                          |
| 1    | 72348833    | 1   | FUEL TANK<br><-- G210.202.060.011 1X<br>CUT TO LENGTH<br><>  |                          |
|      | 72424096    | 1   | REDUCING STUD  | GRS8-6                   |
|      | 72429641    | 1   | PLATE  |                          |
|      | 72315462    | 4   | SOCKET HEAD BOLT   | DIN 912 M6X12-8.8A3L     |
|      | 72450302    | 1   | PRESSURE HOSE  | L=1000                   |
|      | 72313434    | 4   | O-RING   | 15,3X2,4-NBR 70-FWN56402 |
|      | 72438345    | 2   | HOSE CLIP  |                          |
| 2    | 72433112    | 1   | STRAINER   | 60X100-MS                |
| 3    | 72380143    | 1   | FUEL CAP<br>KOEHLER<br>><4                                   | M.BELUEF                 |
|      | 72348297    | 1   | FUEL CAP<br>LOCKABLE<br>BLAU<br>><4+5                        |                          |
| 4    | 72330725    | 1   | SEAL<br>BLAU   |                          |
|      | 72312304    | 1   | RUBBER SEAL<br>KOEHLER                                       |                          |
| 5    | 72330726    | 1   | SEAL   |                          |
| 8    | 72391503    | 1   | BAND   |                          |
| 9    | 72391504    | 2   | BAND   |                          |
| 10   | 72391501    | 2   | BAND CLAMP   |                          |
| 11   | 72315657    | 2   | HEXAGONAL HEAD BOLT  | DIN 933 M8 X 30-8.8A3L   |
| 12   | 72313320    | 2   | NUT  | DIN6925-M8-8-A3L         |
| 13   | 72311789    | 2   | DISC   | DIN 125-10,5-ST.A3L      |
| 14   | 72311788    | 2   | DISC   | DIN 125-8,4-ST.A3L       |
| 15   | 72313268    | 2   | NUT  | DIN 934 M8-8A3L          |
| 16   | 72380146    | 1   | FUEL LEVEL SENSOR<br>><17                                    |                          |
| 17   | 72315169    | 1   | SEALING WASHER   |                          |
| 18   | 72354745    | 1   | TANK SUPPORT   |                          |
| 19   | 72391502    | 1   | BAND   |                          |
| 20   | 72315642    | 4   | HEXAGONAL HEAD BOLT  | DIN 933 M8 X 16-8.8A3L   |
| 21   | 72317121    | 4   | SPRING WASHER  | DIN 137 B8-MECH.VZK      |
| 22   | 72315093    | 1   | SEALING WASHER   | DIN 7603 A12X18-CU       |
| 23   | 72315094    | 1   | SEALING WASHER   | DIN 7603 A14X18-CU       |
| 24   | 72377531    | 1   | RING HOSE NIPPLE   | FWN65910-A-DN8           |
| 25   | 72380159    | 1   | FUEL SHUT-OFF VALVE  |                          |
| 26   | 72450301    | 1   | PRESSURE HOSE<br>WITH 3 CYLINDER<br>1000 MM                  | L=1000                   |
|      | 72435830    | 1   | PRESSURE HOSE<br>WITH 4 CYLINDER<br>1130 MM<br>CUT TO LENGTH | L=2100                   |
| 27   | 72373477    | 1   | HOSE CLIP  |                          |
| 28   | 72377530    | 1   | RING HOSE NIPPLE   | FWN65910-A-DN2           |
| 29   | 72438345    | 1   | HOSE CLIP  |                          |
| 30   | 72379152    | 1   | CABLE BUSHING  | HV1305                   |
| 32   | 72450353    | 1   | PRESSURE HOSE<br>80 MM<br>CUT TO LENGTH                      | L=200                    |
| 33   | 72424096    | 1   | REDUCING STUD  | GRS8-6                   |
| 34   | 72438345    | 2   | HOSE CLIP  |                          |

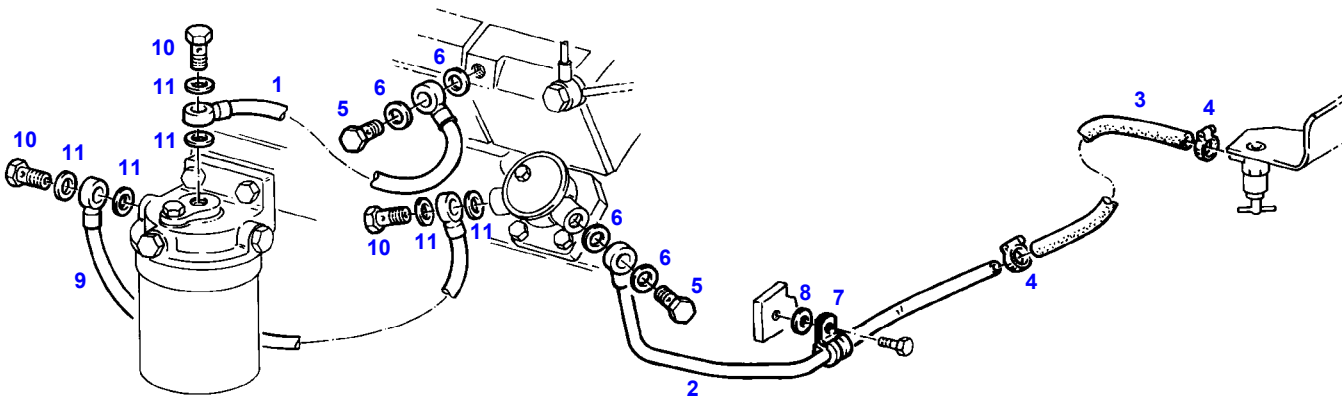
FARMER 270V (207/00001-99999)  
12627



12627

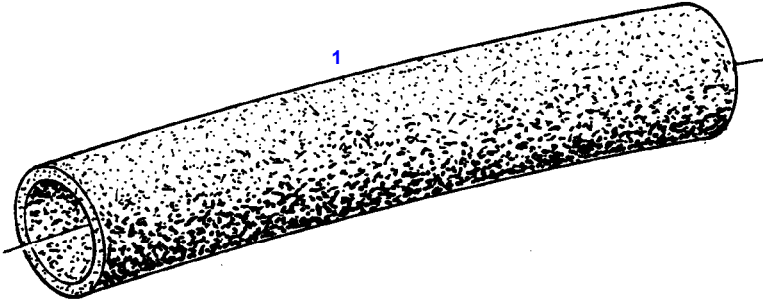
| Item | Part Number | Qty | Description<br>Comments                                      | Technical Specification  |
|------|-------------|-----|--|--------------------------|
|      |             |     | <-- 207/8176   |                          |
| 1    | 72426775    | 1   | FUEL TANK<br>><2,3,5,40-45<br><-- G210.202.060.011<br><>     |                          |
|      | 72315462    | 4   | SOCKET HEAD BOLT   | DIN 912 M6X12-8.8A3L     |
|      | 72313434    | 4   | O-RING   | 15,3X2,4-NBR 70-FWN56402 |
|      | 72429641    | 1   | PLATE  |                          |
| 2    | 72417260    | 1   | FUEL CAP<br>D=59 MM<br>><3                                   |                          |
|      | 72423400    | 1   | FUEL CAP<br>D=59MM<br>LOCKABLE<br>><3                        |                          |
| 3    | 72376574    | 1   | O-RING   | 59,2X5,7-NBR 70 FWN56402 |
| 5    | 72419182    | 1   | THREADED INSERT  |                          |
| 8    | 72391503    | 1   | BAND   |                          |
| 9    | 72391504    | 2   | BAND   |                          |
| 10   | 72391501    | 2   | BAND CLAMP   |                          |
| 11   | 72315657    | 2   | HEXAGONAL HEAD BOLT  | DIN 933 M8 X 30-8.8A3L   |
| 12   | 72313320    | 2   | NUT  | DIN6925-M8-8-A3L         |
| 13   | 72311789    | 2   | DISC   | DIN 125-10,5-ST.A3L      |
| 14   | 72311788    | 2   | DISC   | DIN 125-8,4-ST.A3L       |
| 15   | 72313268    | 2   | NUT  | DIN 934 M8-8A3L          |
| 16   | 72380146    | 1   | FUEL LEVEL SENSOR<br>><17                                    |                          |
| 17   | 72315169    | 1   | SEALING WASHER   |                          |
| 18   | 72354745    | 1   | TANK SUPPORT   |                          |
| 19   | 72391502    | 1   | BAND   |                          |
| 20   | 72315642    | 4   | HEXAGONAL HEAD BOLT  | DIN 933 M8 X 16-8.8A3L   |
| 21   | 72317121    | 4   | SPRING WASHER  | DIN 137 B8-MECH.VZK      |
| 22   | 72315093    | 1   | SEALING WASHER   | DIN 7603 A12X18-CU       |
| 23   | 72315094    | 1   | SEALING WASHER   | DIN 7603 A14X18-CU       |
| 24   | 72377531    | 1   | RING HOSE NIPPLE   | FWN65910-A-DN8           |
| 25   | 72380159    | 1   | FUEL SHUT-OFF VALVE  |                          |
| 26   | 72450301    | 1   | PRESSURE HOSE<br>WITH 3 CYLINDER<br>1000 MM                  | L=1000                   |
|      | 72435830    | 1   | PRESSURE HOSE<br>WITH 4 CYLINDER<br>1130 MM<br>CUT TO LENGTH | L=2100                   |
| 27   | 72373477    | 1   | HOSE CLIP  |                          |
| 28   | 72377530    | 1   | RING HOSE NIPPLE   | FWN65910-A-DN2           |
| 29   | 72438345    | 1   | HOSE CLIP  |                          |
| 30   | 72379152    | 1   | CABLE BUSHING  | HV1305                   |
| 32   | 72450353    | 1   | PRESSURE HOSE<br>80 MM<br>CUT TO LENGTH                      | L=200                    |
| 33   | 72424096    | 1   | REDUCING STUD  | GRS8-6                   |
| 34   | 72438345    | 2   | HOSE CLIP  |                          |
| 40   | 72429641    | 1   | PLATE  |                          |
| 41   | 72313437    | 1   | O-RING   | 16X3-NBR 70 FWN56402     |
| 42   | 72315462    | 4   | SOCKET HEAD BOLT   | DIN 912 M6X12-8.8A3L     |
| 43   | 72431806    | 1   | O-RING   | 75X4-NBR 70 FWN56402     |
| 44   | 72432122    | 1   | RUBBER SEAL  |                          |
| 45   | 72431812    | 1   | HOSE CONNECTOR FITTING                                       | WS6                      |

FARMER 270V (207/00001-99999)  
5015



5015

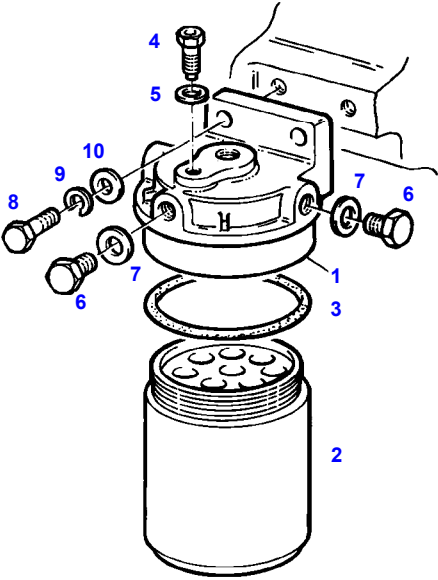
| Item | Part Number | Qty | Description<br>Comments                  | Technical Specification |
|------|-------------|-----|--|-------------------------|
| 1    | 72358112    | 1   | FUEL LINE                                |                         |
| 2    | 72358111    | 1   | FUEL LINE                                |                         |
| 3    | 72450303    | 1   | PRESSURE HOSE<br>260 MM<br>CUT TO LENGTH | L=1000                  |
| 4    | 72438345    | 2   | HOSE CLIP                                |                         |
| 5    | 72315808    | 2   | BANJO BOLT                               | DIN 7643-10-3-A3L       |
| 6    | 72315094    | 4   | SEALING WASHER                           | DIN 7603 A14X18-CU      |
| 7    | 72311244    | 1   | PIPE CLAMP                               |                         |
| 8    | 72311788    | 1   | DISC                                     | DIN 125-8,4-ST.A3L      |
| 9    | 72355325    | 1   | FUEL LINE                                |                         |
| 10   | 72315808    | 3   | BANJO BOLT                               | DIN 7643-10-3-A3L       |
| 11   | 72315094    | 6   | SEALING WASHER                           | DIN 7603 A14X18-CU      |



8555

| Item                                  | Part Number | Qty | Description<br>Comments                           | Technical Specification |
|---------------------------------------|-------------|-----|---|-------------------------|
| <b>RAPE SEED OIL METHYLATED ESTER</b> |             |     |   |                         |
| 1                                     | 72436293    | 1   | HEAT SHRINK TUBING<br>1X 2500 MM<br>CUT TO LENGTH | L=2600                  |
|                                       | 72436294    | X   | HEAT SHRINK TUBING<br>1X 3000 MM<br>CUT TO LENGTH | L=3100                  |
|                                       | 72436295    | 1   | HEAT SHRINK TUBING<br>1X 2000 MM<br>CUT TO LENGTH | L=2100                  |

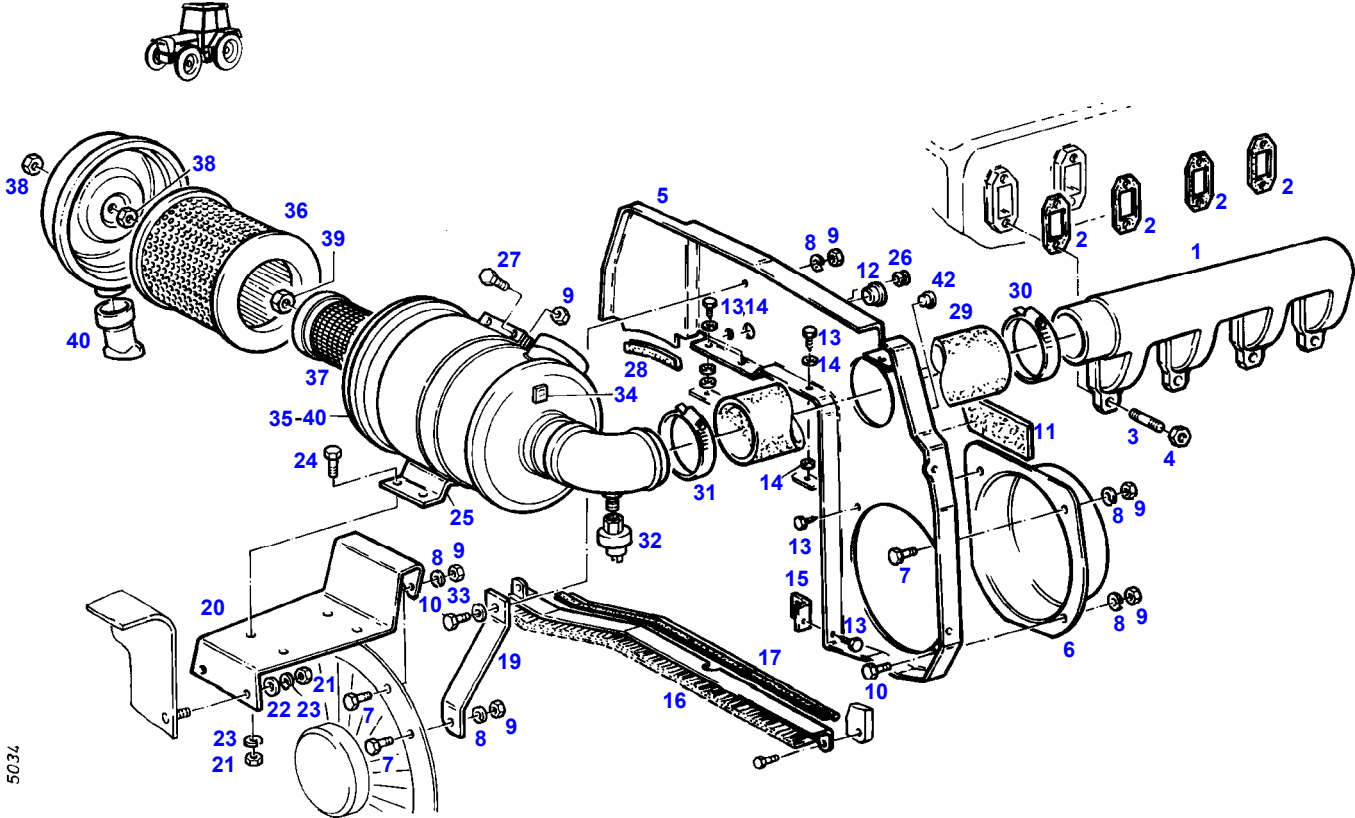
FARMER 270V (207/00001-99999)  
5016



5016

| Item | Part Number | Qty | Description<br>Comments | Technical Specification |
|------|-------------|-----|-------------------------|-------------------------|
| 1    | 72329259    | 1   | FILTER<br>><1-5         |                         |
| 2    | 72326245    | 1   | FILTER BOX<br>><2+3     |                         |
| 3    | 72314995    | 1   | RUBBER RING             |                         |
| 4    | 72380171    | 1   | BLEED SCREW             |                         |
| 5    | 72315084    | 1   | SEALING WASHER          | DIN 7603 A6X10-CU       |
| 6    | 72315799    | 2   | PLUG                    | DIN 7604 AM14X1,5-A3L   |
| 7    | 72315094    | 2   | SEALING WASHER          | DIN 7603 A14X18-CU      |
| 8    | 72315653    | 2   | HEXAGONAL HEAD BOLT     | DIN 933 M8 X 25-8.8A3L  |
| 9    | 72315053    | 2   | SPLIT WASHER            | FWN 65208-8-A3L         |
| 10   | 72311824    | 2   | DISC                    | DIN9021-8,4-140HV-A3L   |

FARMER 270V (207/00001-99999)  
5034



| Item | Part Number | Qty | Description<br>Comments                          | Technical Specification |
|------|-------------|-----|--|-------------------------|
|      |             |     | --> 207/0400                                     |                         |
| 1    | 72323819    | 1   | SUCTION PIPE                                     |                         |
| 2    | 72431538    | 4   | SEAL<br>REPLACE ALL SEALS                        |                         |
| 3    | 72373907    | 8   | STUD BOLT  | DIN 835 M8X35-8.8       |
| 4    | 72313268    | 8   | NUT  | DIN 934 M8-8A3L         |
| 5    | 72358118    | 1   | BARRIER WALL<br><>                               |                         |
|      | 72315635    | 2   | HEXAGONAL HEAD BOLT                              | DIN 933 M6X35-8.8A3L    |
|      | 72358131    | 1   | TUBING   |                         |
|      | 72397849    | 2   | PIPE   |                         |
|      | 72358130    | 1   | TUBING   |                         |
| 6    | 72425052    | 1   | COVER  |                         |
| 7    | 72315631    | 4   | HEXAGONAL HEAD BOLT                              | DIN 933 M6 X 20-8.8A3L  |
| 8    | 72315052    | 6   | SPLIT WASHER                                     | FWN 65208-6-A3L         |
| 9    | 72313266    | 8   | NUT  | DIN 934 M6-8A3L         |
| 10   | 72315629    | 2   | HEXAGONAL HEAD BOLT                              | DIN 933 M6 X 12-8.8A3L  |
| 11   | 72397836    | 1   | INSULATING PLATE                                 |                         |
| 12   | 72314758    | 1   | LOCKING PLUG                                     | SW-F25                  |
| 13   | 72315821    | 5   | SCREW  | DIN7976-ST6,3X19-C-A3L  |
| 14   | 72311787    | 8   | DISC   | DIN 125-6,4-ST.A3L      |
| 15   | 72397839    | 1   | ANGLE  |                         |
| 16   | 72358113    | 1   | SEALING BRUSH                                    |                         |
| 17   | 72451235    | 1   | PROTECTIVE STRIP<br>1X 425 MM<br>CUT TO LENGTH   | L=700 FWN 63040         |
| 19   | 72397840    | 1   | BRACE  |                         |
| 20   | 72397833    | 1   | RETAINER   |                         |
| 21   | 72313268    | 6   | NUT  | DIN 934 M8-8A3L         |
| 22   | 72311788    | 2   | DISC   | DIN 125-8,4-ST.A3L      |
| 23   | 72315053    | 6   | SPLIT WASHER                                     | FWN 65208-8-A3L         |
| 24   | 72315642    | 4   | HEXAGONAL HEAD BOLT                              | DIN 933 M8 X 16-8.8A3L  |
| 25   | 72361211    | 1   | RETAINER   |                         |
| 26   | 72379151    | 1   | CABLE BUSHING                                    | 10X16X20                |
| 27   | 72315633    | 2   | HEXAGONAL HEAD BOLT                              | DIN 933 M6X25-8.8A3L    |
| 28   | 72451141    | 1   | PROTECTIVE STRIP<br>1X 110 MM<br>CUT TO LENGTH   | L=800 FWN 63040         |
| 29   | 72397837    | 1   | HOSE PIECE                                       |                         |
| 30   | 72311170    | 1   | HOSE CLIP  |                         |
| 31   | 72373528    | 1   | HOSE CLIP  |                         |
| 32   | 72379888    | 1   | MAINTENANCE SWITCH                               |                         |
| 33   | 72311812    | 1   | DISC   | DIN 1440-8-ST.A3L       |
| 34   | 72398540    | 1   | ABSORPTION INDICATOR<br>1,7                      |                         |
|      | 72390400    | 1   | ABSORPTION INDICATOR<br>1,2                      |                         |
|      | 72407085    | 1   | ABSORPTION INDICATOR<br>0,95                     |                         |
| 35   | 72348836    | 1   | AIR FILTER<br>><35-40<br>X591 135 296 0,1M<br><> |                         |
|      | 72373528    | 4   | HOSE CLIP  |                         |
|      | 72358115    | 1   | INTAKE MANIFOLD                                  |                         |
|      | 72397842    | 1   | RUBBER ARCH                                      |                         |
|      | 72339032    | 1   | THREADED SOCKET                                  |                         |
|      | 72377567    | 0   | HOSE   | DIN73411-70X5 R         |
| 36   | 72380181    | 1   | MICRO-STAR INSERT                                |                         |
| 37   | 72333112    | 1   | SAFETY INSERT                                    |                         |
| 38   | 72313320    | 2   | NUT<br><>  | DIN6925-M8-8-A3L        |
|      | 72313299    | 1   | NUT  | DIN 936-M16X1,5-17H     |
| 39   | 72333111    | 1   | NUT  |                         |

---

Fendt

FARMER 270V (207/00001-99999)

F207000

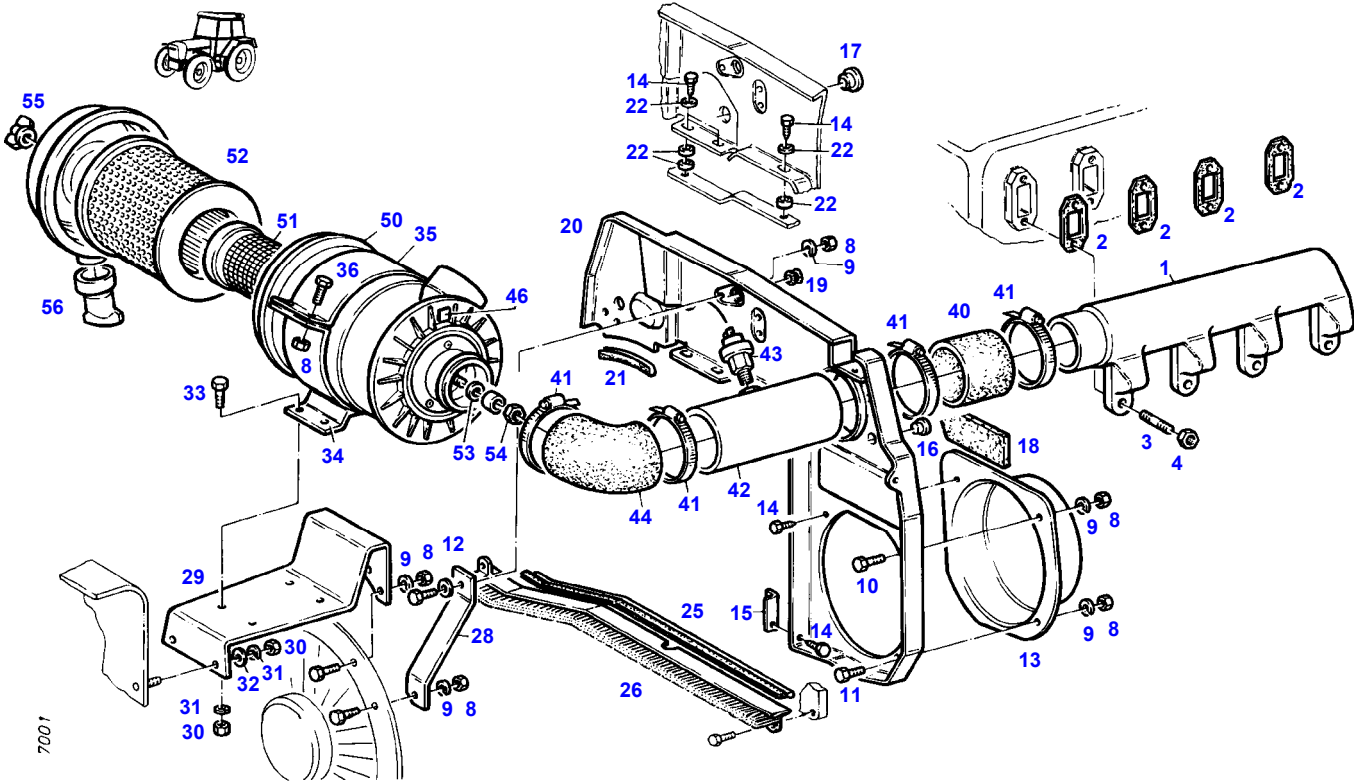
AIR FILTER

Page01-0008

---

| Item | Part Number | Qty | Description<br>Comments | Technical Specification |
|------|-------------|-----|-------------------------|-------------------------|
| 40   | 72332975    | 1   | VALVE                   |                         |
| 42   | 72314744    | 2   | LOCKING PLUG            | F4                      |

FARMER 270V (207/00001-99999)  
7001



7001

| Item | Part Number | Qty | Description<br>Comments                        | Technical Specification |
|------|-------------|-----|--|-------------------------|
|      |             |     | <-- 207/0401 --> 207/7000                      |                         |
| 1    | 72323819    | 1   | SUCTION PIPE                                   |                         |
| 2    | 72431538    | 4   | SEAL<br>REPLACE ALL SEALS                      |                         |
| 3    | 72373907    | 8   | STUD BOLT                                      | DIN 835 M8X35-8.8       |
| 4    | 72313268    | 8   | NUT  | DIN 934 M8-8A3L         |
| 8    | 72313266    | 8   | NUT  | DIN 934 M6-8A3L         |
| 9    | 72315052    | 6   | SPLIT WASHER                                   | FWN 65208-6-A3L         |
| 10   | 72315631    | 4   | HEXAGONAL HEAD BOLT                            | DIN 933 M6 X 20-8.8A3L  |
| 11   | 72315629    | 2   | HEXAGONAL HEAD BOLT                            | DIN 933 M6 X 12-8.8A3L  |
| 12   | 72311812    | 1   | DISC   | DIN 1440-8-ST.A3L       |
| 13   | 72425052    | 1   | COVER  |                         |
| 14   | 72315821    | 5   | SCREW  | DIN7976-ST6,3X19-C-A3L  |
| 15   | 72397839    | 1   | ANGLE  |                         |
| 16   | 72314744    | 2   | LOCKING PLUG<br>F4                             | F4                      |
| 17   | 72314758    | 1   | LOCKING PLUG<br>F25                            | SW-F25                  |
| 18   | 72397836    | 1   | INSULATING PLATE                               |                         |
| 19   | 72379151    | 1   | CABLE BUSHING                                  | 10X16X20                |
| 20   | 72358118    | 1   | BARRIER WALL<br>-->207/0720 <><br><>           |                         |
|      | 72358130    | 1   | TUBING   |                         |
|      | 72397849    | 2   | PIPE   |                         |
|      | 72358131    | 1   | TUBING   |                         |
|      | 72315635    | 2   | HEXAGONAL HEAD BOLT                            | DIN 933 M6X35-8.8A3L    |
| 21   | 72451141    | 1   | PROTECTIVE STRIP<br>1X 110 MM<br>CUT TO LENGTH | L=800 FWN 63040         |
| 22   | 72311787    | 8   | DISC   | DIN 125-6,4-ST.A3L      |
| 25   | 72451235    | 1   | PROTECTIVE STRIP<br>1X 425 MM<br>CUT TO LENGTH | L=700 FWN 63040         |
| 26   | 72358113    | 1   | SEALING BRUSH                                  |                         |
| 28   | 72397840    | 1   | BRACE  |                         |
| 29   | 72397833    | 1   | RETAINER                                       |                         |
| 30   | 72313268    | 6   | NUT  | DIN 934 M8-8A3L         |
| 31   | 72315053    | 6   | SPLIT WASHER                                   | FWN 65208-8-A3L         |
| 32   | 72311788    | 2   | DISC   | DIN 125-8,4-ST.A3L      |
| 33   | 72315642    | 4   | HEXAGONAL HEAD BOLT                            | DIN 933 M8 X 16-8.8A3L  |
| 34   | 72358116    | 1   | RETAINER                                       |                         |
| 35   | 72397841    | 1   | CLAMP  |                         |
| 36   | 72315633    | 2   | HEXAGONAL HEAD BOLT                            | DIN 933 M6X25-8.8A3L    |
| 40   | 72450420    | 1   | HOSE<br>1X 80 MM<br>CUT TO LENGTH              | L=120 DIN73411-70X5 R   |
| 41   | 72373528    | 4   | HOSE CLIP                                      |                         |
| 42   | 72358115    | 1   | INTAKE MANIFOLD                                |                         |
| 43   | 72316876    | 1   | MAINTENANCE SWITCH                             |                         |
| 44   | 72397842    | 1   | RUBBER ARCH                                    |                         |
| 46   | 72398540    | 1   | ABSORPTION INDICATOR<br>1,7                    |                         |
|      | 72390400    | 1   | ABSORPTION INDICATOR<br>1,2                    |                         |
|      | 72407085    | 1   | ABSORPTION INDICATOR<br>0,95                   |                         |
| 50   | 72348836    | 1   | AIR FILTER<br>><50-56                          |                         |
| 51   | 72333112    | 1   | SAFETY INSERT<br><>                            |                         |
|      | 72313299    | 1   | NUT  | DIN 936-M16X1,5-17H     |
| 52   | 72380181    | 1   | MICRO-STAR INSERT                              |                         |

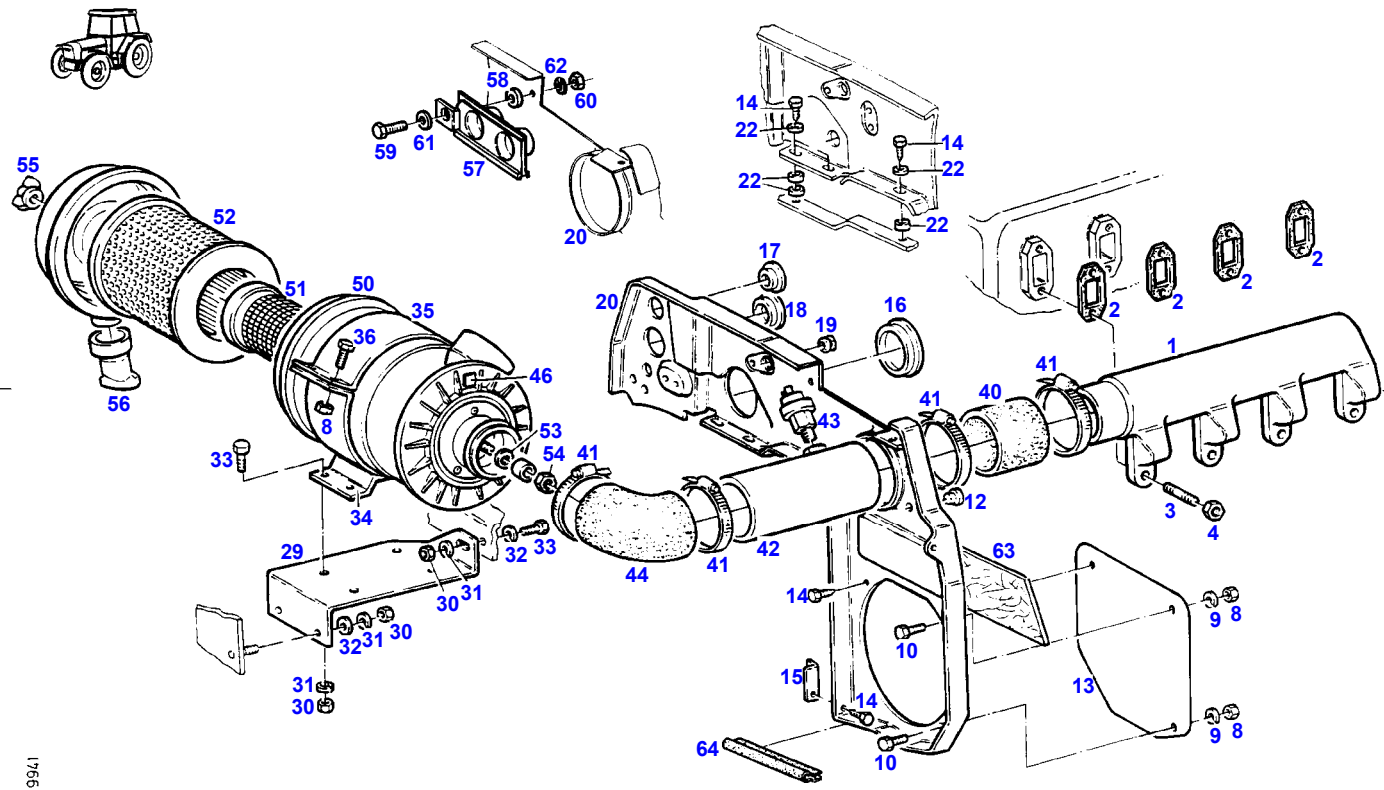
---

**Fendt****FARMER 270V (207/00001-99999)****F207000****AIR FILTER****Page01-0009**

---

| <b>Item</b> | <b>Part Number</b> | <b>Qty</b> | <b>Description<br/>Comments</b> | <b>Technical Specification</b> |
|-------------|--------------------|------------|---------------------------------|--------------------------------|
| 53          | 72379537           | 1          | DISK SPRING<br><--207/0790      | DIN 2093 A16                   |
| 54          | 72313320           | 1          | NUT                             | DIN6925-M8-8-A3L               |
| 55          | 72333111           | 1          | NUT<br>-->207/0789              |                                |
|             | 72333113           | 1          | WING NUT<br><--207/0790         |                                |
|             | 72431470           | 1          | SPRING NUT<br><--207/0790       |                                |
| 56          | 72332975           | 1          | VALVE                           |                                |

FARMER 270V (207/00001-99999)  
9941



1766

| Item | Part Number | Qty | Description<br>Comments                        | Technical Specification |
|------|-------------|-----|--|-------------------------|
|      |             |     | <-- 207/7001                                   |                         |
| 1    | 72323819    | 1   | SUCTION PIPE                                   |                         |
| 2    | 72431538    | 4   | SEAL<br>REPLACE ALL SEALS                      |                         |
| 3    | 72373907    | 8   | STUD BOLT                                      | DIN 835 M8X35-8.8       |
| 4    | 72313268    | 8   | NUT  | DIN 934 M8-8A3L         |
| 8    | 72313266    | 4   | NUT  | DIN 934 M6-8A3L         |
| 9    | 72315052    | 2   | SPLIT WASHER                                   | FWN 65208-6-A3L         |
| 10   | 72315629    | 2   | HEXAGONAL HEAD BOLT                            | DIN 933 M6 X 12-8.8A3L  |
| 12   | 72314744    | 2   | LOCKING PLUG<br>F4                             | F4                      |
| 13   | 72400510    | 1   | COVER  |                         |
| 14   | 72315821    | 5   | SCREW  | DIN7976-ST6,3X19-C-A3L  |
| 15   | 72397839    | 1   | ANGLE  |                         |
| 16   | 72402786    | 1   | COVER  |                         |
| 17   | 72375089    | 1   | LOCKING PLUG<br>F23                            | F233                    |
| 18   | 72314761    | 1   | LOCKING PLUG<br>F31                            | F31                     |
| 19   | 72379152    | 1   | CABLE BUSHING                                  | HV1305                  |
| 20   | 72359721    | 1   | BARRIER WALL                                   |                         |
| 22   | 72311787    | 8   | DISC   | DIN 125-6,4-ST.A3L      |
| 29   | 72400508    | 1   | RETAINER                                       |                         |
| 30   | 72313268    | 7   | NUT  | DIN 934 M8-8A3L         |
| 31   | 72315053    | 7   | SPLIT WASHER                                   | FWN 65208-8-A3L         |
| 32   | 72311788    | 2   | DISC   | DIN 125-8,4-ST.A3L      |
| 33   | 72315642    | 5   | HEXAGONAL HEAD BOLT                            | DIN 933 M8 X 16-8.8A3L  |
| 34   | 72358116    | 1   | RETAINER                                       |                         |
| 35   | 72397841    | 1   | CLAMP  |                         |
| 36   | 72315633    | 2   | HEXAGONAL HEAD BOLT                            | DIN 933 M6X25-8.8A3L    |
| 40   | 72450420    | 1   | HOSE<br>1X 80 MM<br>CUT TO LENGTH              | L=120 DIN73411-70X5 R   |
| 41   | 72373528    | 4   | HOSE CLIP                                      |                         |
| 42   | 72358115    | 1   | INTAKE MANIFOLD                                |                         |
| 43   | 72316876    | 1   | MAINTENANCE SWITCH                             |                         |
| 44   | 72397842    | 1   | RUBBER ARCH                                    |                         |
| 46   | 72398540    | 1   | ABSORPTION INDICATOR<br>1,7                    |                         |
|      | 72390400    | 1   | ABSORPTION INDICATOR<br>1,2                    |                         |
|      | 72407085    | 1   | ABSORPTION INDICATOR<br>0,95                   |                         |
| 50   | 72348836    | 1   | AIR FILTER<br>><50-56                          |                         |
| 51   | 72333112    | 1   | SAFETY INSERT<br><>                            |                         |
|      | 72313299    | 1   | NUT  | DIN 936-M16X1,5-17H     |
| 52   | 72380181    | 1   | MICRO-STAR INSERT                              |                         |
| 53   | 72379537    | 1   | DISK SPRING                                    | DIN 2093 A16            |
| 54   | 72313320    | 1   | NUT  | DIN6925-M8-8-A3L        |
| 55   | 72333113    | 1   | WING NUT                                       |                         |
|      | 72431470    | 1   | SPRING NUT                                     |                         |
| 56   | 72332975    | 1   | VALVE  |                         |
| 57   | 72315927    | 1   | SEAL   |                         |
| 58   | 72311894    | 1   | DISC   |                         |
| 59   | 72315633    | 1   | HEXAGONAL HEAD BOLT                            | DIN 933 M6X25-8.8A3L    |
| 60   | 72313266    | 1   | NUT  | DIN 934 M6-8A3L         |
| 61   | 72311822    | 1   | DISC   | DIN9021-6,4-140HV-A3L   |
| 62   | 72315052    | 1   | SPLIT WASHER                                   | FWN 65208-6-A3L         |
| 63   | 72397836    | 1   | INSULATING PLATE                               |                         |
| 64   | 72451235    | 1   | PROTECTIVE STRIP<br>1X 175 MM<br>CUT TO LENGTH | L=700 FWN 63040         |



| Item   | Part Number | Qty | Description<br>Comments  | Technical Specification |
|--|-------------|-----|--|-------------------------|
| <b>AIR SUPPLY EQUIPMENT AND/OR ARI COND.<br/>--&gt; 207/7000</b> |             |     |  |                         |
| 1  | 72323819    | 1   | SUCTION PIPE   |                         |
| 2  | 72431538    | 4   | SEAL<br>REPLACE ALL SEALS  |                         |
| 3  | 72373907    | 8   | STUD BOLT  | DIN 835 M8X35-8.8       |
| 4  | 72313268    | 8   | NUT  | DIN 934 M8-8A3L         |
| 8  | 72313266    | 4   | NUT  | DIN 934 M6-8A3L         |
| 9  | 72315052    | 2   | SPLIT WASHER   | FWN 65208-6-A3L         |
| 10   | 72315629    | 2   | HEXAGONAL HEAD BOLT  | DIN 933 M6 X 12-8.8A3L  |
| 12   | 72314744    | 2   | LOCKING PLUG<br>F4   | F4                      |
| 13   | 72425052    | 1   | COVER  |                         |
| 14   | 72315821    | 5   | SCREW  | DIN7976-ST6,3X19-C-A3L  |
| 15   | 72397839    | 1   | ANGLE  |                         |
| 16   | 72402786    | 1   | COVER  |                         |
| 17   | 72375089    | 1   | LOCKING PLUG<br>F23  | F233                    |
| 18   | 72314761    | 1   | LOCKING PLUG<br>F31  | F31                     |
| 19   | 72379152    | 1   | CABLE BUSHING  | HV1305                  |
| 20   | 72359721    | 1   | BARRIER WALL   |                         |
| 21   | 72451141    | 1   | PROTECTIVE STRIP<br>1X110MM<br>CUT TO LENGTH   | L=800 FWN 63040         |
| 22   | 72311787    | 8   | DISC   | DIN 125-6,4-ST.A3L      |
| 29   | 72400508    | 1   | RETAINER   |                         |
| 30   | 72313268    | 7   | NUT  | DIN 934 M8-8A3L         |
| 31   | 72315053    | 7   | SPLIT WASHER   | FWN 65208-8-A3L         |
| 32   | 72311788    | 2   | DISC   | DIN 125-8,4-ST.A3L      |
| 33   | 72315642    | 5   | HEXAGONAL HEAD BOLT  | DIN 933 M8 X 16-8.8A3L  |
| 34   | 72358116    | 1   | RETAINER   |                         |
| 35   | 72397841    | 1   | CLAMP  |                         |
| 36   | 72315633    | 2   | HEXAGONAL HEAD BOLT  | DIN 933 M6X25-8.8A3L    |
| 40   | 72450420    | 1   | HOSE<br>1X 110MM   | L=120 DIN73411-70X5 R   |
| 41   | 72373528    | 4   | HOSE CLIP  |                         |
| 42   | 72359719    | 1   | INTAKE MANIFOLD<br>AIR BRAKING SYSTEM<br>AIR SUPPLY EQUIPMENT WITH ARI CONDITION<br><> |                         |
|  | 72315797    | 1   | PLUG SCREW   | DIN 7604 AM10X1-ST A3L  |
|  | 72315088    | 1   | SEALING WASHER   | DIN 7603 A10X13,5-CU    |
|  | 72358115    | 1   | INTAKE MANIFOLD<br>AIR CONDITION   |                         |
| 43   | 72316876    | 1   | MAINTENANCE SWITCH   |                         |
| 44   | 72397842    | 1   | RUBBER ARCH  |                         |
| 46   | 72398540    | 1   | ABSORPTION INDICATOR<br>1,7  |                         |
|  | 72390400    | 1   | ABSORPTION INDICATOR<br>1,2  |                         |
|  | 72407085    | 1   | ABSORPTION INDICATOR<br>0,95   |                         |
| 50   | 72348836    | 1   | AIR FILTER<br>><50-56  |                         |
| 51   | 72333112    | 1   | SAFETY INSERT<br><>  |                         |
|  | 72313299    | 1   | NUT  | DIN 936-M16X1,5-17H     |
| 52   | 72380181    | 1   | MICRO-STAR INSERT  |                         |
| 53   | 72379537    | 1   | DISK SPRING<br><--207/0790   | DIN 2093 A16            |
| 54   | 72313320    | 1   | NUT  | DIN6925-M8-8-A3L        |
| 55   | 72333111    | 1   | NUT<br>-->207/0789   |                         |

---

Fendt

FARMER 270V (207/00001-99999)

F207000

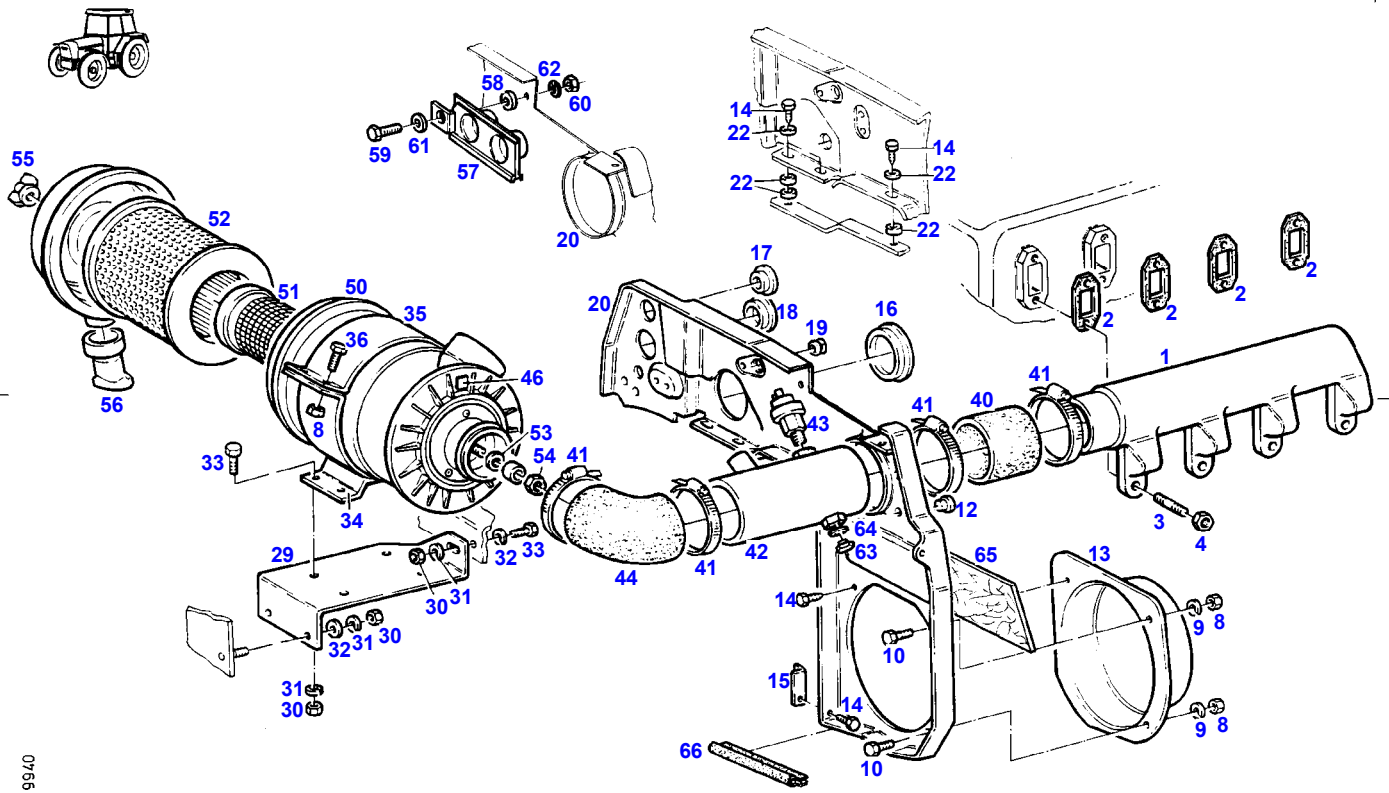
AIR FILTER

Page01-0011

---

| Item | Part Number | Qty | Description<br>Comments   | Technical Specification |
|------|-------------|-----|---------------------------|-------------------------|
|      | 72333113    | 1   | WING NUT<br><--207/0790   |                         |
|      | 72431470    | 1   | SPRING NUT<br><--207/0790 |                         |
| 56   | 72332975    | 1   | VALVE                     |                         |

FARMER 270V (207/00001-99999)  
9940



| Item | Part Number | Qty | Description<br>Comments                       | Technical Specification |
|------|-------------|-----|---|-------------------------|
|      |             |     | <b>WITH AIR CONDITION<br/>&lt;-- 207/7001</b> |                         |
| 1    | 72323819    | 1   | SUCTION PIPE                                  |                         |
| 2    | 72431538    | 4   | SEAL<br>REPLACE ALL SEALS                     |                         |
| 3    | 72373907    | 8   | STUD BOLT                                     | DIN 835 M8X35-8.8       |
| 4    | 72313268    | 8   | NUT   | DIN 934 M8-8A3L         |
| 8    | 72313266    | 4   | NUT   | DIN 934 M6-8A3L         |
| 9    | 72315052    | 2   | SPLIT WASHER                                  | FWN 65208-6-A3L         |
| 10   | 72315629    | 2   | HEXAGONAL HEAD BOLT                           | DIN 933 M6 X 12-8.8A3L  |
| 12   | 72314744    | 2   | LOCKING PLUG<br>F4                            | F4                      |
| 13   | 72425052    | 1   | COVER<br>WITH AIR CONDITION                   |                         |
| 14   | 72315821    | 5   | SCREW   | DIN7976-ST6,3X19-C-A3L  |
| 15   | 72397839    | 1   | ANGLE   |                         |
| 16   | 72402786    | 1   | COVER   |                         |
| 17   | 72375089    | 1   | LOCKING PLUG<br>F23                           | F233                    |
| 18   | 72314761    | 1   | LOCKING PLUG<br>F31                           | F31                     |
| 19   | 72379152    | 1   | CABLE BUSHING                                 | HV1305                  |
| 20   | 72359721    | 1   | BARRIER WALL                                  |                         |
| 22   | 72311787    | 8   | DISC  | DIN 125-6,4-ST.A3L      |
| 29   | 72400508    | 1   | RETAINER                                      |                         |
| 30   | 72313268    | 7   | NUT   | DIN 934 M8-8A3L         |
| 31   | 72315053    | 7   | SPLIT WASHER                                  | FWN 65208-8-A3L         |
| 32   | 72311788    | 2   | DISC  | DIN 125-8,4-ST.A3L      |
| 33   | 72315642    | 5   | HEXAGONAL HEAD BOLT                           | DIN 933 M8 X 16-8.8A3L  |
| 34   | 72358116    | 1   | RETAINER                                      |                         |
| 35   | 72397841    | 1   | CLAMP   |                         |
| 36   | 72315633    | 2   | HEXAGONAL HEAD BOLT                           | DIN 933 M6X25-8.8A3L    |
| 40   | 72450420    | 1   | HOSE<br>1X 110MM                              | L=120 DIN73411-70X5 R   |
| 41   | 72373528    | 4   | HOSE CLIP                                     |                         |
| 42   | 72358115    | 1   | INTAKE MANIFOLD<br>AIR CONDITION              |                         |
| 43   | 72316876    | 1   | MAINTENANCE SWITCH                            |                         |
| 44   | 72397842    | 1   | RUBBER ARCH                                   |                         |
| 46   | 72398540    | 1   | ABSORPTION INDICATOR<br>1,7                   |                         |
|      | 72390400    | 1   | ABSORPTION INDICATOR<br>1,2                   |                         |
|      | 72407085    | 1   | ABSORPTION INDICATOR<br>0,95                  |                         |
| 50   | 72348836    | 1   | AIR FILTER<br>><50-56                         |                         |
| 51   | 72333112    | 1   | SAFETY INSERT<br><>                           |                         |
|      | 72313299    | 1   | NUT   | DIN 936-M16X1,5-17H     |
| 52   | 72380181    | 1   | MICRO-STAR INSERT                             |                         |
| 53   | 72379537    | 1   | DISK SPRING                                   | DIN 2093 A16            |
| 54   | 72313320    | 1   | NUT   | DIN6925-M8-8-A3L        |
| 55   | 72333113    | 1   | WING NUT                                      |                         |
|      | 72431470    | 1   | SPRING NUT                                    |                         |
| 56   | 72332975    | 1   | VALVE   |                         |
| 57   | 72315927    | 1   | SEAL  |                         |
| 58   | 72311894    | 1   | DISC  |                         |
| 59   | 72315633    | 1   | HEXAGONAL HEAD BOLT                           | DIN 933 M6X25-8.8A3L    |
| 60   | 72313266    | 1   | NUT   | DIN 934 M6-8A3L         |
| 61   | 72311822    | 1   | DISC  | DIN9021-6,4-140HV-A3L   |
| 62   | 72315052    | 1   | SPLIT WASHER                                  | FWN 65208-6-A3L         |
| 63   | 72315797    | 1   | PLUG SCREW                                    | DIN 7604 AM10X1-ST A3L  |
| 64   | 72315088    | 1   | SEALING WASHER                                | DIN 7603 A10X13,5-CU    |

---

Fendt

FARMER 270V (207/00001-99999)

F207000

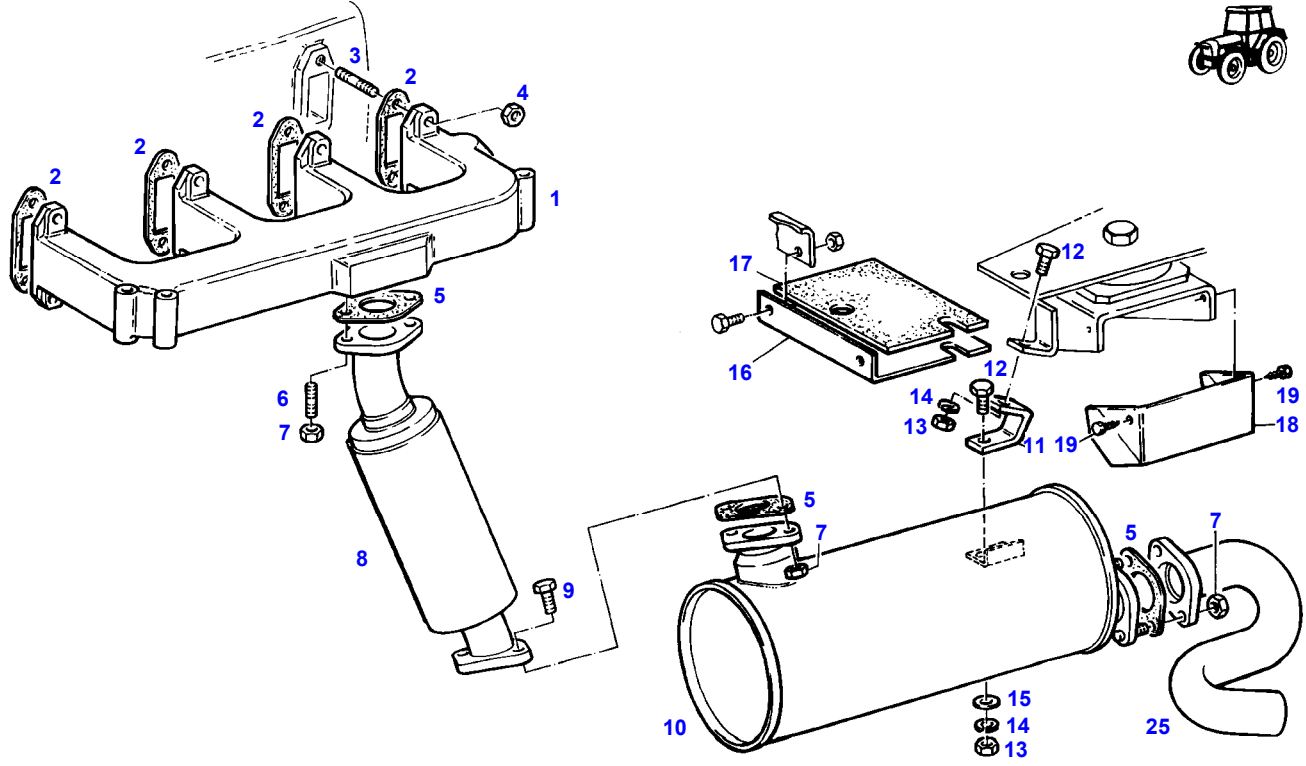
AIR FILTER

Page01-0012

---

| Item | Part Number | Qty | Description<br>Comments                        | Technical Specification |
|------|-------------|-----|--|-------------------------|
| 65   | 72397836    | 1   | INSULATING PLATE                               |                         |
| 66   | 72451235    | 1   | PROTECTIVE STRIP<br>1X 175 MM<br>CUT TO LENGTH | L=700 FWN 63040         |

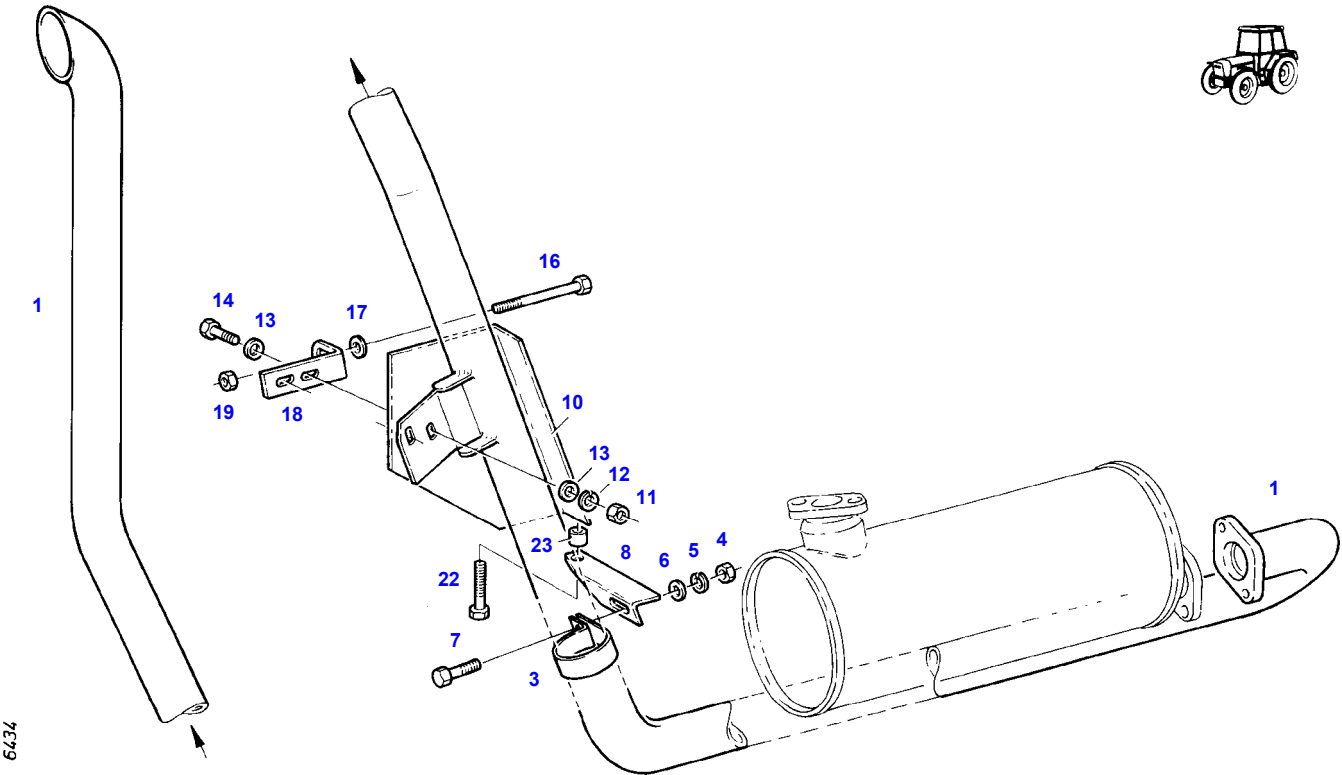
FARMER 270V (207/00001-99999)  
5022



5022

| Item | Part Number | Qty | Description<br>Comments   | Technical Specification        |
|------|-------------|-----|---------------------------|--------------------------------|
| 1    | 72398541    | 1   | EXHAUST COLLECTING PIPE   |                                |
| 2    | 72431541    | 4   | SEAL<br>REPLACE ALL SEALS |                                |
| 3    | 72373907    | 8   | STUD BOLT                 | DIN 835 M8X35-8.8              |
| 4    | 72324283    | 8   | NUT                       |                                |
| 5    | 72376173    | 3   | SEAL                      | DIN71511-56X82X1,5-ST AFM5M.E. |
| 6    | 72313776    | 2   | STUD BOLT                 | DIN 939 M10X25-8.8             |
| 7    | 72313273    | 6   | NUT                       | DIN 934 M10-MS                 |
| 8    | 72358122    | 1   | FRONT SILENCER            |                                |
| 9    | 72315685    | 2   | HEXAGONAL HEAD BOLT       | DIN 933 M10X30-8.8A3L          |
| 10   | 72363174    | 1   | MUFFLER                   |                                |
| 11   | 72397843    | 1   | ANGLE                     |                                |
| 12   | 72315646    | 2   | HEXAGONAL HEAD BOLT       | DIN 933 M8X18-8.8A3L           |
| 13   | 72313268    | 2   | NUT                       | DIN 934 M8-8A3L                |
| 14   | 72315053    | 2   | SPLIT WASHER              | FWN 65208-8-A3L                |
| 15   | 72311788    | 1   | DISC                      | DIN 125-8,4-ST.A3L             |
| 16   | 72397846    | 1   | SPLASH PANEL              |                                |
| 17   | 72397847    | 1   | INSULATING PLATE          |                                |
| 18   | 72397845    | 1   | SCREENING SHIELD          |                                |
| 19   | 72315820    | 2   | SCREW                     | DIN7976-ST6,3X13-C-A3L         |
| 25   | 72358142    | 1   | TAIL PIPE                 |                                |

FARMER 270V (207/00001-99999)  
6434



| Item | Part Number | Qty | Description<br>Comments     | Technical Specification |
|------|-------------|-----|-----------------------------|-------------------------|
|      |             |     | <b>UPRIGHT</b>              |                         |
| 1    | 72359730    | 1   | TAIL PIPE                   |                         |
| 3    | 72408227    | 1   | CLAMP                       |                         |
| 4    | 72313266    | 1   | NUT                         | DIN 934 M6-8A3L         |
| 5    | 72315052    | 1   | SPLIT WASHER                | FWN 65208-6-A3L         |
| 6    | 72311787    | 1   | DISC                        | DIN 125-6,4-ST.A3L      |
| 7    | 72315626    | 1   | HEXAGONAL HEAD BOLT         | DIN 933-M6 X 16-8.8-A3L |
| 8    | 72397857    | 1   | ANGLE                       |                         |
| 10   | 72397853    | 1   | SCREENING SHIELD            |                         |
|      | 72397855    | 1   | SCREENING SHIELD<br>77DB(A) |                         |
| 11   | 72313268    | 2   | NUT                         | DIN 934 M8-8A3L         |
| 12   | 72315053    | 2   | SPLIT WASHER                | FWN 65208-8-A3L         |
| 13   | 72311788    | 4   | DISC                        | DIN 125-8,4-ST.A3L      |
| 14   | 72315651    | 2   | HEXAGONAL HEAD BOLT         | DIN 933 M8X22-8.8A3L    |
| 16   | 72315701    | 1   | HEXAGONAL HEAD BOLT         | DIN 933-M10X120-8.8-A3L |
| 17   | 72311789    | 1   | DISC                        | DIN 125-10,5-ST.A3L     |
| 18   | 72400514    | 1   | ANGLE                       |                         |
| 19   | 72313272    | 1   | NUT                         | DIN 934 M10-8A3L        |
| 22   | 72315665    | 1   | HEXAGONAL HEAD BOLT         | DIN 933 M8X45-8.8A3L    |
| 23   | 72316967    | 1   | SPACER TUBE                 |                         |



**Suggest:**

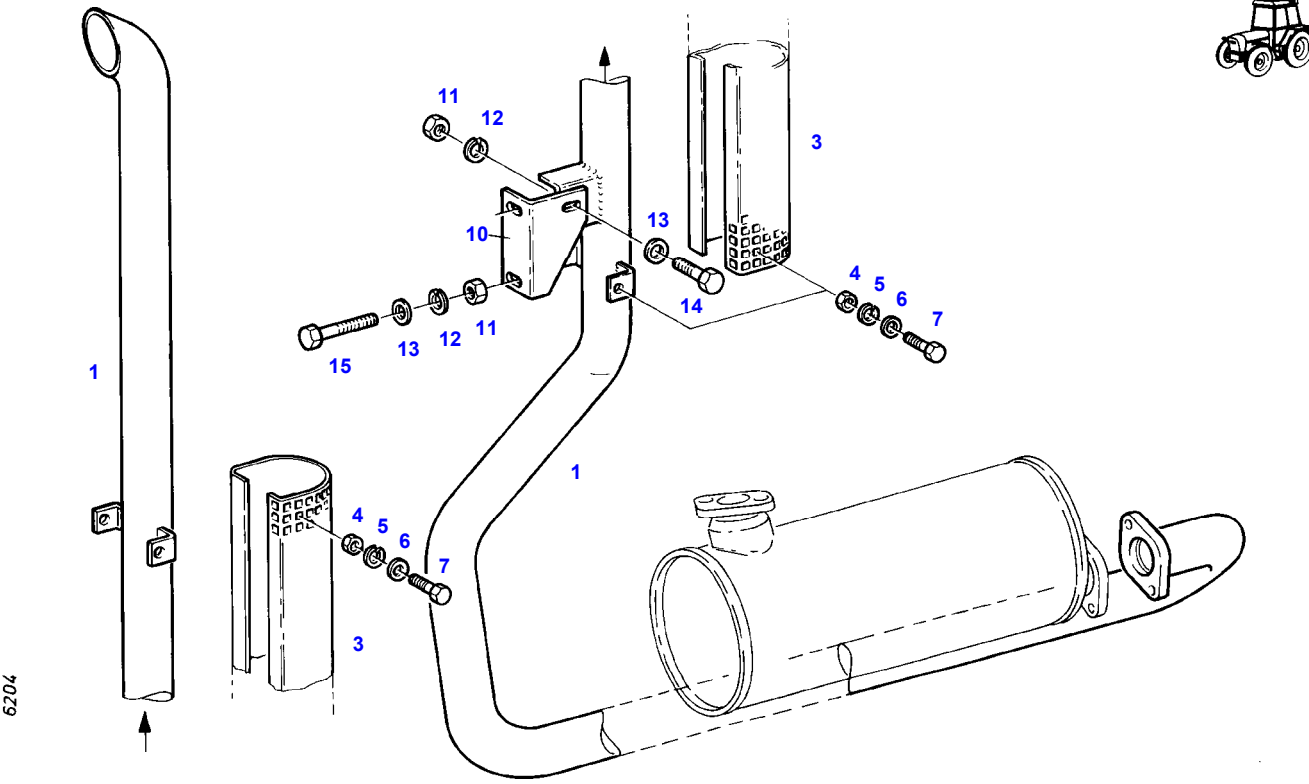
**For more complete manuals. Please go to the home page.**

**<https://www.ebooklibonline.com>**

**If the above button click is invalid. Please download this document first, and then click the above link to download the complete manual.**

**Thank you so much for reading**

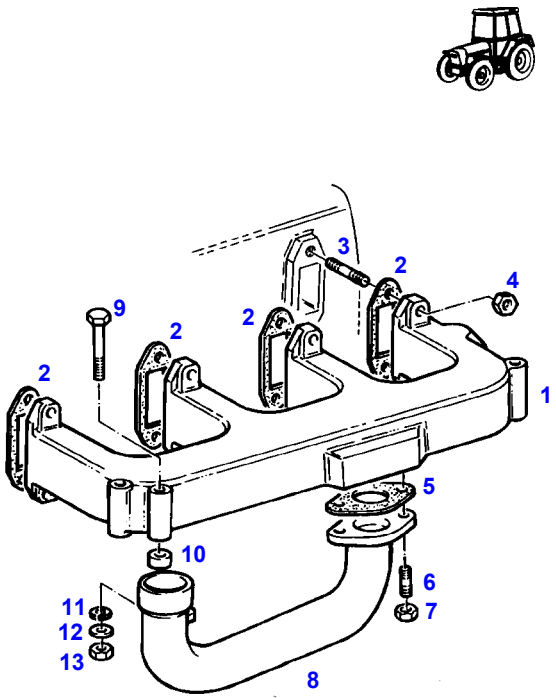
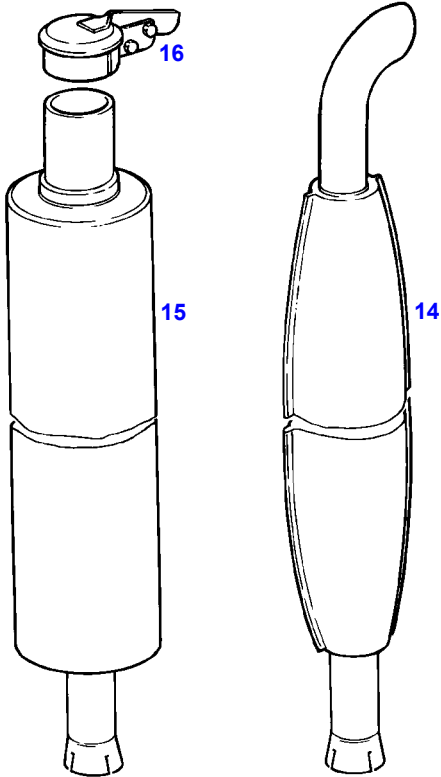
FARMER 270V (207/00001-99999)  
6204



6204

| Item | Part Number | Qty | Description<br>Comments                            | Technical Specification |
|------|-------------|-----|--|-------------------------|
|      |             |     | <b>UPRIGHT<br/>FRONTLOADER<br/>--&gt; 207/7000</b> |                         |
| 1    | 72359728    | 1   | TAIL PIPE  |                         |
| 3    | 72400513    | 1   | SCREENING SHIELD                                   |                         |
| 4    | 72313264    | 4   | NUT  | DIN 934 M5-8A3L         |
| 5    | 72315051    | 4   | SPLIT WASHER                                       | FWN 65208-5-A3L         |
| 6    | 72311818    | 4   | DISC   | DIN9021-5,3-140HV-A3L   |
| 7    | 72315619    | 4   | HEXAGONAL HEAD BOLT                                | DIN 933 M5X16-8.8A3L    |
| 10   | 72400512    | 1   | ANGLE  |                         |
| 11   | 72313268    | 3   | NUT  | DIN 934 M8-8A3L         |
| 12   | 72315053    | 3   | SPLIT WASHER                                       | FWN 65208-8-A3L         |
| 13   | 72311788    | 4   | DISC   | DIN 125-8,4-ST.A3L      |
| 14   | 72315653    | 1   | HEXAGONAL HEAD BOLT                                | DIN 933 M8 X 25-8.8A3L  |
| 15   | 72315665    | 2   | HEXAGONAL HEAD BOLT                                | DIN 933 M8X45-8.8A3L    |

FARMER 270V (207/00001-99999)  
5020



5020

**<https://www.ebooklibonline.com>**

Hello dear friend!

Thank you very much for reading.

Enter the link into your browser.

The full manual is available for immediate download.

**<https://www.ebooklibonline.com>**