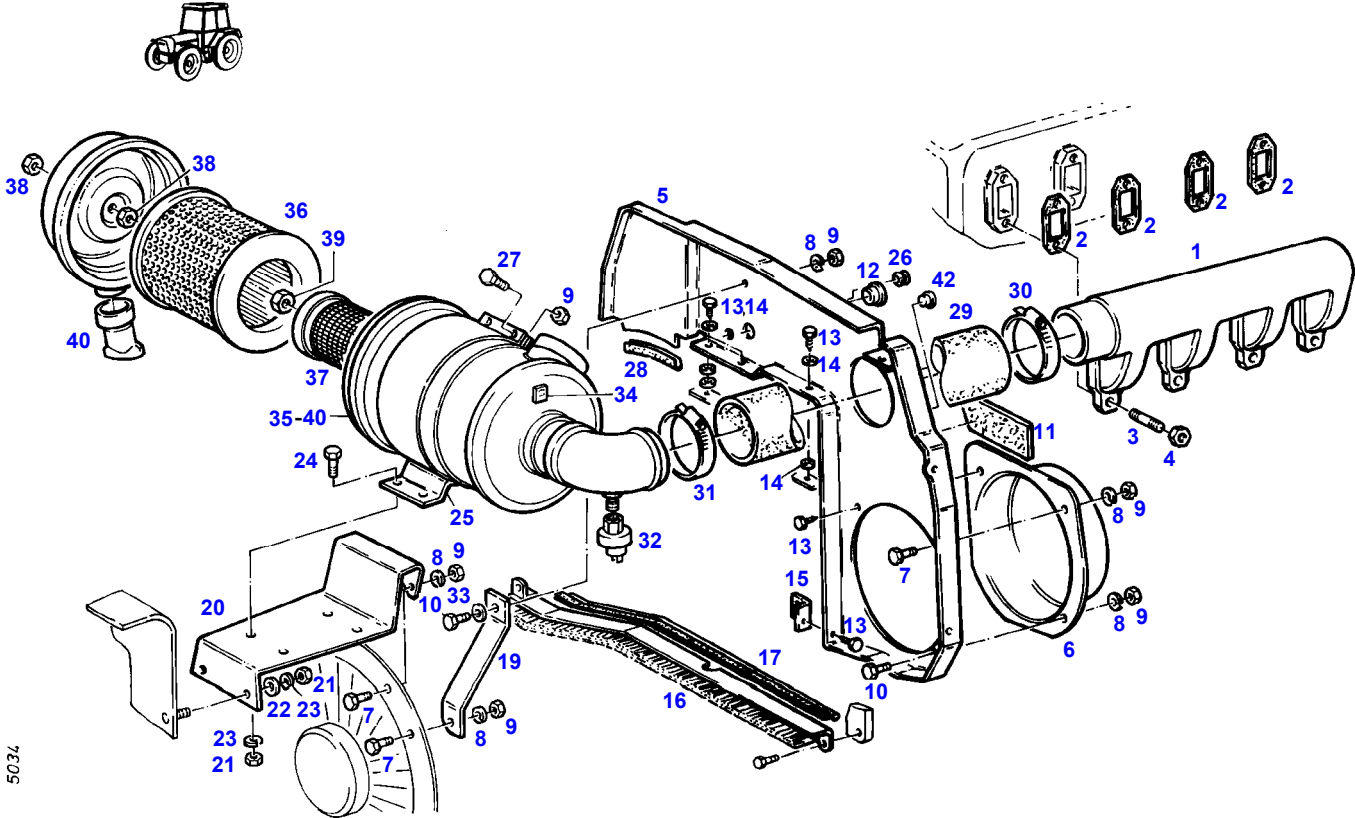


TABLE OF CONTENT

Page Number	Page Title	Page Reference
01-000-TOC	ENGINE, FUEL AND EXHAUST SYSTEM	01-000-TOC
02-000-TOC	AXLES	02-000-TOC
03-000-TOC	STEERING SYSTEM	03-000-TOC
04-000-TOC	DRIVE TRAIN SYSTEM	04-000-TOC
05-000-TOC	COMPRESSED AIR SYSTEM	05-000-TOC
06-000-TOC	HYDRAULIC SYSTEM	06-000-TOC
07-000-TOC	ELECTRICAL SYSTEM	07-000-TOC
08-000-TOC	CAB	08-000-TOC
09-000-TOC	AIR CONDITIONING AND HEATING SYSTEM	09-000-TOC
10-000-TOC	CHASSIS	10-000-TOC
11-000-TOC	WHEELS	11-000-TOC
12-000-TOC	IMPLEMENT LIFT SYSTEM FRONT	12-000-TOC
13-000-TOC	IMPLEMENT LIFT SYSTEM REAR	13-000-TOC
14-000-TOC	FRONT/REAR LOADERS	14-000-TOC
15-000-TOC	ATTACHMENTS	15-000-TOC
16-000-TOC	ACCESSORIES	16-000-TOC

FARMER 270P (247/00001-99999)
5034



5034

Item	Part Number	Qty	Description Comments	Technical Specification
			--> 247/0264	
1	72323819	1	SUCTION PIPE	
2	72431538	4	SEAL REPLACE ALL SEALS	
3	72373907	8	STUD BOLT	DIN 835 M8X35-8.8
4	72313268	8	NUT	DIN 934 M8-8A3L
5	72358118	1	BARRIER WALL <>	
	72315635	2	HEXAGONAL HEAD BOLT	DIN 933 M6X35-8.8A3L
	72358131	1	TUBING	
	72397849	2	PIPE	
	72358130	1	TUBING	
6	72425052	1	COVER	
7	72315631	4	HEXAGONAL HEAD BOLT	DIN 933 M6 X 20-8.8A3L
8	72315052	6	SPLIT WASHER	FWN 65208-6-A3L
9	72313266	8	NUT	DIN 934 M6-8A3L
10	72315629	2	HEXAGONAL HEAD BOLT	DIN 933 M6 X 12-8.8A3L
11	72397836	1	INSULATING PLATE	
12	72314758	1	LOCKING PLUG	SW-F25
13	72315821	5	SCREW	DIN7976-ST6,3X19-C-A3L
14	72311787	8	DISC	DIN 125-6,4-ST.A3L
15	72397839	1	ANGLE	
16	72358113	1	SEALING BRUSH	
17	72451235	1	PROTECTIVE STRIP 1X 425 MM CUT TO LENGTH	L=700 FWN 63040
19	72397840	1	BRACE	
20	72397833	1	RETAINER	
21	72313268	6	NUT	DIN 934 M8-8A3L
22	72311788	2	DISC	DIN 125-8,4-ST.A3L
23	72315053	6	SPLIT WASHER	FWN 65208-8-A3L
24	72315642	4	HEXAGONAL HEAD BOLT	DIN 933 M8 X 16-8.8A3L
25	72361211	1	RETAINER	
26	72379151	1	CABLE BUSHING	10X16X20
27	72315633	2	HEXAGONAL HEAD BOLT	DIN 933 M6X25-8.8A3L
28	72451141	1	PROTECTIVE STRIP 1X 110 MM CUT TO LENGTH	L=800 FWN 63040
29	72397837	1	HOSE PIECE	
30	72311170	1	HOSE CLIP	
31	72373528	1	HOSE CLIP	
32	72379888	1	MAINTENANCE SWITCH	
33	72311812	1	DISC	DIN 1440-8-ST.A3L
34	72398540	1	ABSORPTION INDICATOR 1,7	
	72390400	1	ABSORPTION INDICATOR 1,2	
	72407085	1	ABSORPTION INDICATOR 0,95	
35	72348836	1	AIR FILTER ><35-40 X591 135 296 0,1M <>	
	72373528	4	HOSE CLIP	
	72358115	1	INTAKE MANIFOLD	
	72397842	1	RUBBER ARCH	
	72339032	1	THREADED SOCKET	
	72377567	0	HOSE	DIN73411-70X5 R
36	72380181	1	MICRO-STAR INSERT	
37	72333112	1	SAFETY INSERT	
38	72313320	2	NUT <>	DIN6925-M8-8-A3L
	72313299	1	NUT	DIN 936-M16X1,5-17H
39	72333111	1	NUT	

<https://www.ebooklibonline.com>

Hello dear friend!

Thank you very much for reading.

Enter the link into your browser.

The full manual is available for immediate download.

<https://www.ebooklibonline.com>

Fendt

FARMER 270P (247/00001-99999)

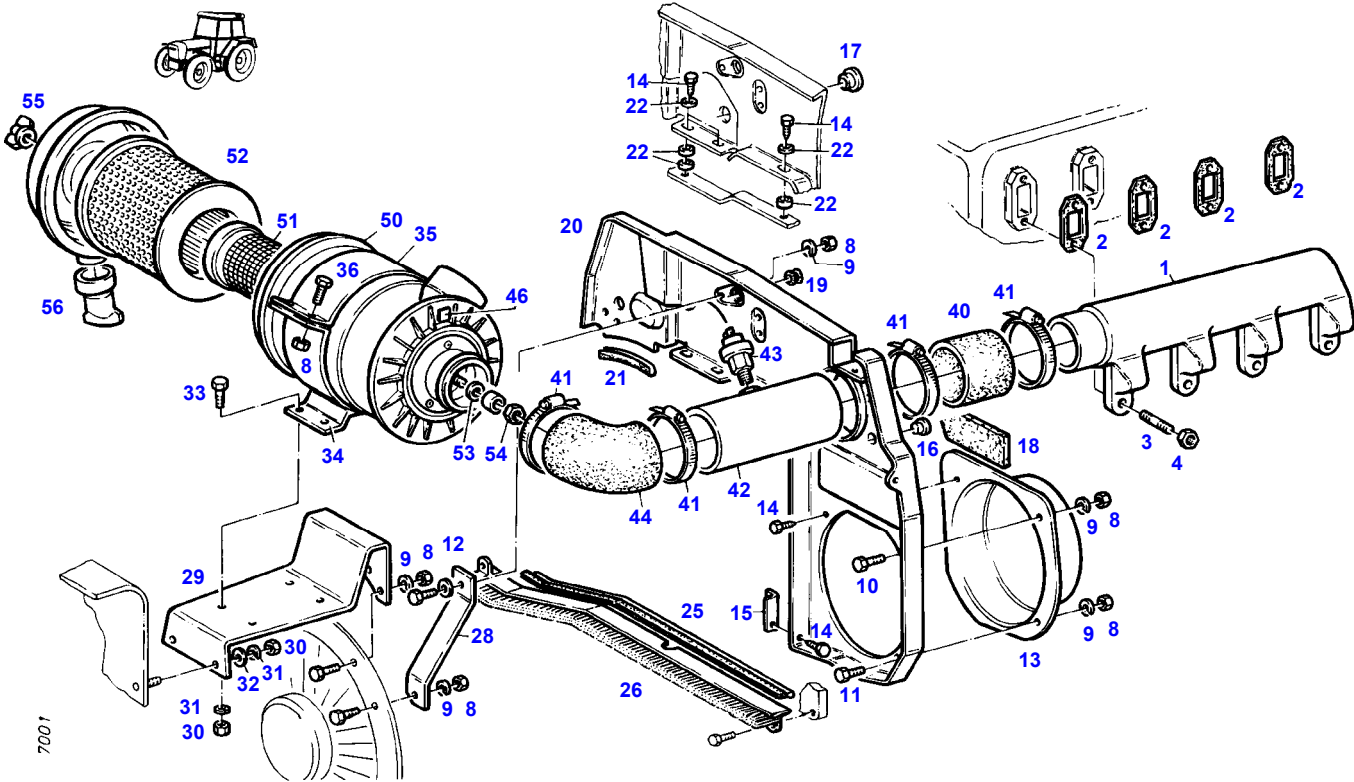
F247000

AIR FILTER

Page01-0007

Item	Part Number	Qty	Description Comments	Technical Specification
40	72332975	1	VALVE	
42	72314744	2	LOCKING PLUG	F4

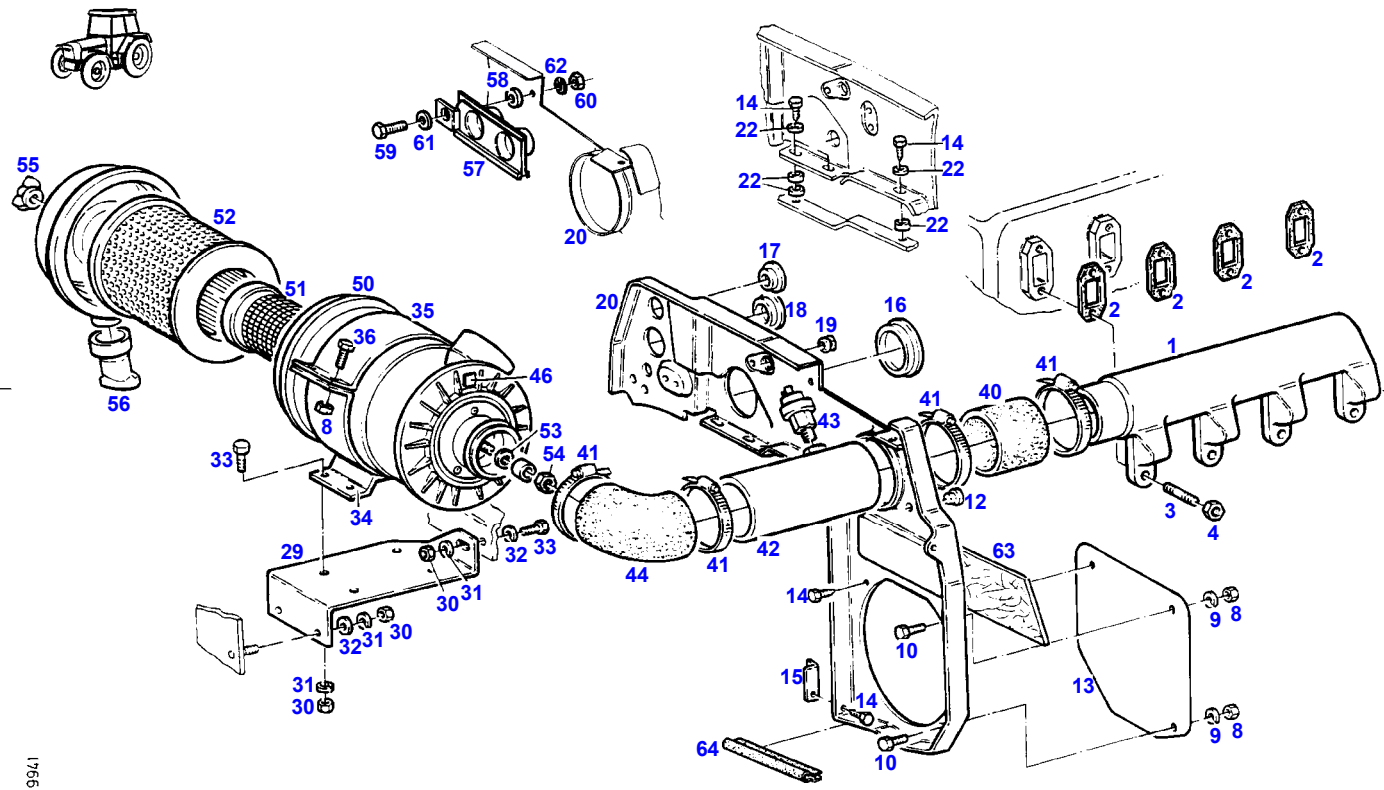
FARMER 270P (247/00001-99999)
7001



Item	Part Number	Qty	Description Comments	Technical Specification
			<-- 247/0265 --> 247/0732	
1	72323819	1	SUCTION PIPE	
2	72431538	4	SEAL REPLACE ALL SEALS	
3	72373907	8	STUD BOLT	DIN 835 M8X35-8.8
4	72313268	8	NUT	DIN 934 M8-8A3L
8	72313266	8	NUT	DIN 934 M6-8A3L
9	72315052	6	SPLIT WASHER	FWN 65208-6-A3L
10	72315631	4	HEXAGONAL HEAD BOLT	DIN 933 M6 X 20-8.8A3L
11	72315629	2	HEXAGONAL HEAD BOLT	DIN 933 M6 X 12-8.8A3L
12	72311812	1	DISC	DIN 1440-8-ST.A3L
13	72425052	1	COVER	
14	72315821	5	SCREW	DIN7976-ST6,3X19-C-A3L
15	72397839	1	ANGLE	
16	72314744	2	LOCKING PLUG F4	F4
17	72314758	1	LOCKING PLUG F25	SW-F25
18	72397836	1	INSULATING PLATE	
19	72379151	1	CABLE BUSHING	10X16X20
20	72358118	1	BARRIER WALL -->247/0402 <> <>	
	72358130	1	TUBING	
	72397849	2	PIPE	
	72358131	1	TUBING	
	72315635	2	HEXAGONAL HEAD BOLT	DIN 933 M6X35-8.8A3L
21	72451141	1	PROTECTIVE STRIP 1X 110 MM CUT TO LENGTH	L=800 FWN 63040
22	72311787	8	DISC	DIN 125-6,4-ST.A3L
25	72451235	1	PROTECTIVE STRIP 1X 425 MM CUT TO LENGTH	L=700 FWN 63040
26	72358113	1	SEALING BRUSH	
28	72397840	1	BRACE	
29	72397833	1	RETAINER	
30	72313268	6	NUT	DIN 934 M8-8A3L
31	72315053	6	SPLIT WASHER	FWN 65208-8-A3L
32	72311788	2	DISC	DIN 125-8,4-ST.A3L
33	72315642	4	HEXAGONAL HEAD BOLT	DIN 933 M8 X 16-8.8A3L
34	72358116	1	RETAINER	
35	72397841	1	CLAMP	
36	72315633	2	HEXAGONAL HEAD BOLT	DIN 933 M6X25-8.8A3L
40	72450420	1	HOSE 1X 80 MM CUT TO LENGTH	L=120 DIN73411-70X5 R
41	72373528	4	HOSE CLIP	
42	72358115	1	INTAKE MANIFOLD	
43	72316876	1	MAINTENANCE SWITCH	
44	72397842	1	RUBBER ARCH	
46	72398540	1	ABSORPTION INDICATOR 1,7	
	72390400	1	ABSORPTION INDICATOR 1,2	
	72407085	1	ABSORPTION INDICATOR 0,95	
50	72348836	1	AIR FILTER ><50-56	
51	72333112	1	SAFETY INSERT <>	
	72313299	1	NUT	DIN 936-M16X1,5-17H
52	72380181	1	MICRO-STAR INSERT	

Item	Part Number	Qty	Description Comments	Technical Specification
53	72379537	1	DISK SPRING <--247/0480	DIN 2093 A16
54	72313320	1	NUT	DIN6925-M8-8-A3L
55	72333111	1	NUT -->247/0479	
	72333113	1	WING NUT <--247/0480	
	72431470	1	SPRING NUT <--247/0480	
56	72332975	1	VALVE	

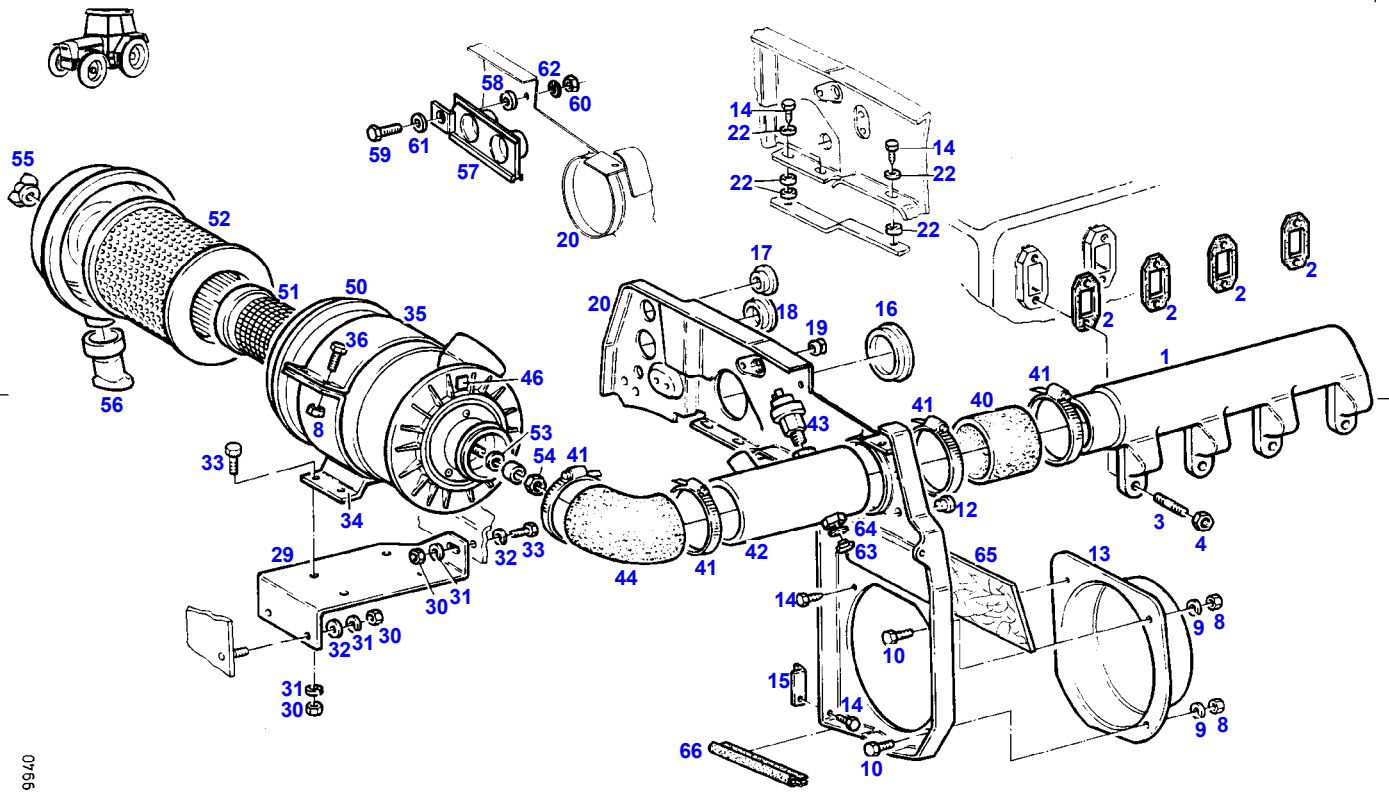
FARMER 270P (247/00001-99999)
9941



1766

Item	Part Number	Qty	Description Comments	Technical Specification
			<-- 247/0733	
1	72323819	1	SUCTION PIPE	
2	72431538	4	SEAL REPLACE ALL SEALS	
3	72373907	8	STUD BOLT	DIN 835 M8X35-8.8
4	72313268	8	NUT	DIN 934 M8-8A3L
8	72313266	4	NUT	DIN 934 M6-8A3L
9	72315052	2	SPLIT WASHER	FWN 65208-6-A3L
10	72315629	2	HEXAGONAL HEAD BOLT	DIN 933 M6 X 12-8.8A3L
12	72314744	2	LOCKING PLUG F4	F4
13	72400510	1	COVER	
14	72315821	5	SCREW	DIN7976-ST6,3X19-C-A3L
15	72397839	1	ANGLE	
16	72402786	1	COVER	
17	72375089	1	LOCKING PLUG F23	F233
18	72314761	1	LOCKING PLUG F31	F31
19	72379152	1	CABLE BUSHING	HV1305
20	72359721	1	BARRIER WALL	
22	72311787	8	DISC	DIN 125-6,4-ST.A3L
29	72400508	1	RETAINER	
30	72313268	7	NUT	DIN 934 M8-8A3L
31	72315053	7	SPLIT WASHER	FWN 65208-8-A3L
32	72311788	2	DISC	DIN 125-8,4-ST.A3L
33	72315642	5	HEXAGONAL HEAD BOLT	DIN 933 M8 X 16-8.8A3L
34	72358116	1	RETAINER	
35	72397841	1	CLAMP	
36	72315633	2	HEXAGONAL HEAD BOLT	DIN 933 M6X25-8.8A3L
40	72450420	1	HOSE 1X 80 MM CUT TO LENGTH	L=120 DIN73411-70X5 R
41	72373528	4	HOSE CLIP	
42	72358115	1	INTAKE MANIFOLD	
43	72316876	1	MAINTENANCE SWITCH	
44	72397842	1	RUBBER ARCH	
46	72398540	1	ABSORPTION INDICATOR 1,7	
	72390400	1	ABSORPTION INDICATOR 1,2	
	72407085	1	ABSORPTION INDICATOR 0,95	
50	72348836	1	AIR FILTER ><50-56	
51	72333112	1	SAFETY INSERT <>	
	72313299	1	NUT	DIN 936-M16X1,5-17H
52	72380181	1	MICRO-STAR INSERT	
53	72379537	1	DISK SPRING	DIN 2093 A16
54	72313320	1	NUT	DIN6925-M8-8-A3L
55	72333113	1	WING NUT	
	72431470	1	SPRING NUT	
56	72332975	1	VALVE	
57	72315927	1	SEAL	
58	72311894	1	DISC	
59	72315633	1	HEXAGONAL HEAD BOLT	DIN 933 M6X25-8.8A3L
60	72313266	1	NUT	DIN 934 M6-8A3L
61	72311822	1	DISC	DIN9021-6,4-140HV-A3L
62	72315052	1	SPLIT WASHER	FWN 65208-6-A3L
63	72397836	1	INSULATING PLATE	
64	72451235	1	PROTECTIVE STRIP 1X 175 MM CUT TO LENGTH	L=700 FWN 63040

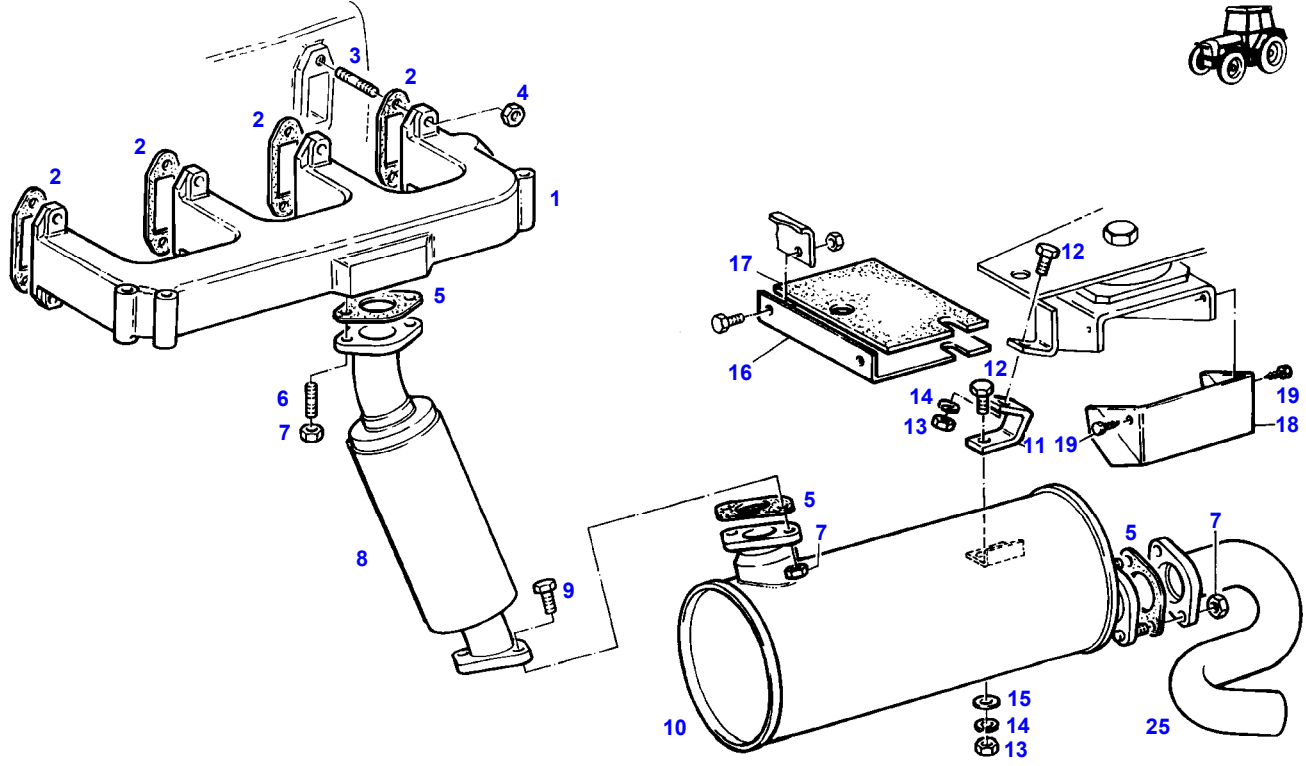
FARMER 270P (247/00001-99999)
9940



Item	Part Number	Qty	Description Comments	Technical Specification
AIR SUPPLY EQUIPMENT AND/OR ARI COND.				
1	72323819	1	SUCTION PIPE	
2	72431538	4	SEAL REPLACE ALL SEALS	
3	72373907	8	STUD BOLT	DIN 835 M8X35-8.8
4	72313268	8	NUT	DIN 934 M8-8A3L
8	72313266	4	NUT	DIN 934 M6-8A3L
9	72315052	2	SPLIT WASHER	FWN 65208-6-A3L
10	72315629	2	HEXAGONAL HEAD BOLT	DIN 933 M6 X 12-8.8A3L
12	72314744	2	LOCKING PLUG F4	F4
13	72425052	1	COVER AIR SUPPLY EQUIPMENT AND/OR ARI COND. -->247/0732	
	72425052	1	COVER WITH AIR CONDITION <--247/0733	
	72400510	1	COVER WITH AIR BRAKING SYSTEM <--247/0733	
14	72315821	5	SCREW	DIN7976-ST6,3X19-C-A3L
15	72397839	1	ANGLE	
16	72402786	1	COVER	
17	72375089	1	LOCKING PLUG F23	F233
18	72314761	1	LOCKING PLUG F31	F31
19	72379152	1	CABLE BUSHING	HV1305
20	72359721	1	BARRIER WALL	
22	72311787	8	DISC	DIN 125-6,4-ST.A3L
29	72400508	1	RETAINER	
30	72313268	7	NUT	DIN 934 M8-8A3L
31	72315053	7	SPLIT WASHER	FWN 65208-8-A3L
32	72311788	2	DISC	DIN 125-8,4-ST.A3L
33	72315642	5	HEXAGONAL HEAD BOLT	DIN 933 M8 X 16-8.8A3L
34	72358116	1	RETAINER	
35	72397841	1	CLAMP	
36	72315633	2	HEXAGONAL HEAD BOLT	DIN 933 M6X25-8.8A3L
40	72450420	1	HOSE 1X 110MM	L=120 DIN73411-70X5 R
41	72373528	4	HOSE CLIP	
42	72359719	1	INTAKE MANIFOLD AIR BRAKING SYSTEM AIR SUPPLY EQUIPMENT WITH ARI CONDITION -->247/0732 <> <>	
	72315797	1	PLUG SCREW	DIN 7604 AM10X1-ST A3L
	72315088	1	SEALING WASHER	DIN 7603 A10X13,5-CU
	72358115	1	INTAKE MANIFOLD AIR CONDITION	
43	72316876	1	MAINTENANCE SWITCH	
44	72397842	1	RUBBER ARCH	
46	72398540	1	ABSORPTION INDICATOR 1,7	
	72390400	1	ABSORPTION INDICATOR 1,2	
	72407085	1	ABSORPTION INDICATOR 0,95	
50	72348836	1	AIR FILTER ><50-56	
51	72333112	1	SAFETY INSERT <>	
	72313299	1	NUT	DIN 936-M16X1,5-17H

Item	Part Number	Qty	Description Comments	Technical Specification
52	72380181	1	MICRO-STAR INSERT	
53	72379537	1	DISK SPRING <--247/0480	DIN 2093 A16
54	72313320	1	NUT	
55	72333111	1	NUT -->247/0479	DIN6925-M8-8-A3L
	72333113	1	WING NUT <--247/0480	
	72431470	1	SPRING NUT <--247/0480	
56	72332975	1	VALVE	
57	72315927	1	SEAL <--247/0733	
58	72311894	1	DISC <--247/0733	
59	72315633	1	HEXAGONAL HEAD BOLT <--247/0733	DIN 933 M6X25-8.8A3L
60	72313266	1	NUT <--247/0733	DIN 934 M6-8A3L
61	72311822	1	DISC <--247/0733	DIN9021-6,4-140HV-A3L
62	72315052	1	SPLIT WASHER <--247/0733	FWN 65208-6-A3L
63	72315797	1	PLUG SCREW <--247/0733	DIN 7604 AM10X1-ST A3L
64	72315088	1	SEALING WASHER <--247/0733	DIN 7603 A10X13,5-CU
65	72397836	1	INSULATING PLATE	
66	72451235	1	PROTECTIVE STRIP 1X 175 MM CUT TO LENGTH	L=700 FWN 63040

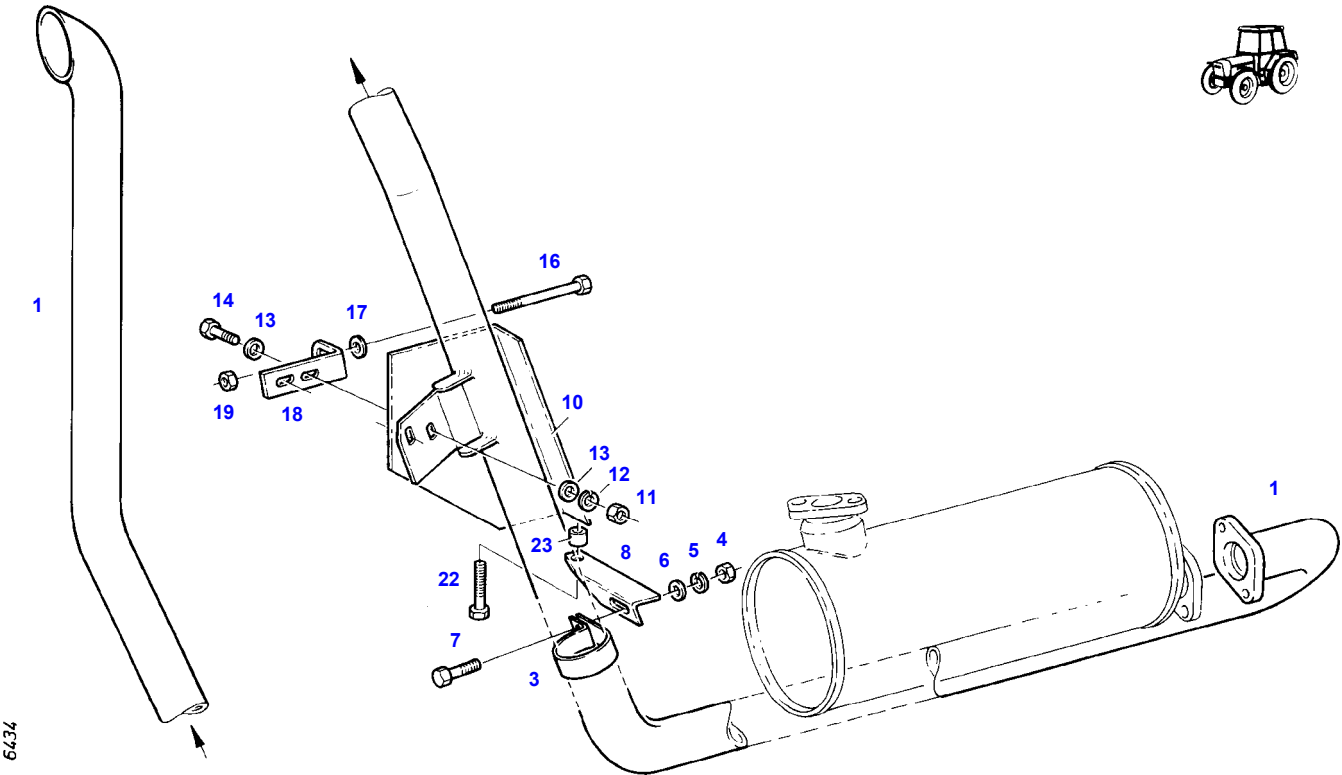
FARMER 270P (247/00001-99999)
5022



5022

Item	Part Number	Qty	Description Comments	Technical Specification
1	72398541	1	EXHAUST COLLECTING PIPE	
2	72431541	4	SEAL REPLACE ALL SEALS	
3	72373907	8	STUD BOLT	DIN 835 M8X35-8.8
4	72324283	8	NUT	
5	72376173	3	SEAL	DIN71511-56X82X1,5-ST AFM5M.E.
6	72313776	2	STUD BOLT	DIN 939 M10X25-8.8
7	72313273	6	NUT	DIN 934 M10-MS
8	72358122	1	FRONT SILENCER	
9	72315685	2	HEXAGONAL HEAD BOLT	DIN 933 M10X30-8.8A3L
10	72363174	1	MUFFLER	
11	72397843	1	ANGLE	
12	72315646	2	HEXAGONAL HEAD BOLT	DIN 933 M8X18-8.8A3L
13	72313268	2	NUT	DIN 934 M8-8A3L
14	72315053	2	SPLIT WASHER	FWN 65208-8-A3L
15	72311788	1	DISC	DIN 125-8,4-ST.A3L
16	72397846	1	SPLASH PANEL	
17	72397847	1	INSULATING PLATE	
18	72397845	1	SCREENING SHIELD	
19	72315820	2	SCREW	DIN7976-ST6,3X13-C-A3L
25	72359726	1	TAIL PIPE	

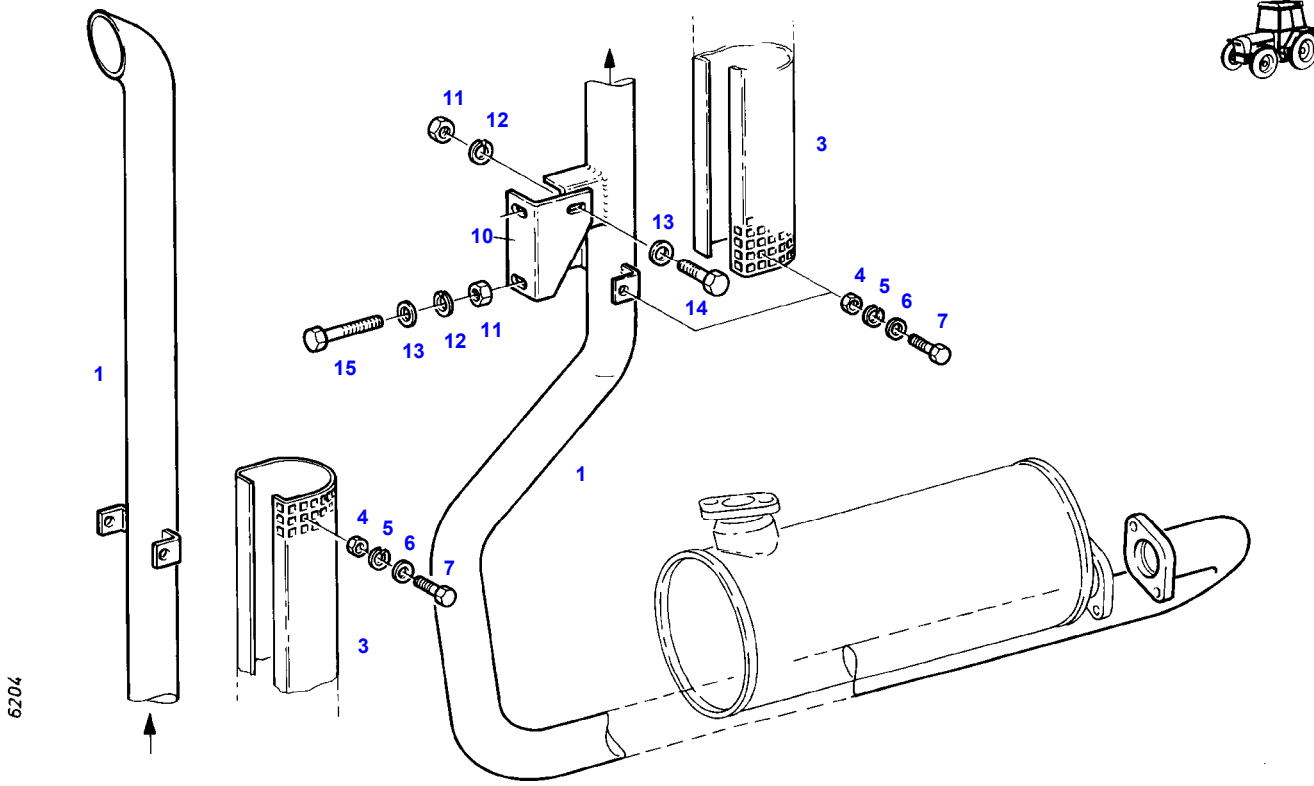
FARMER 270P (247/00001-99999)
6434



6434

Item	Part Number	Qty	Description Comments	Technical Specification
UPRIGHT				
1	72359730	1	TAIL PIPE	
3	72408227	1	CLAMP	
4	72313266	1	NUT	DIN 934 M6-8A3L
5	72315052	1	SPLIT WASHER	FWN 65208-6-A3L
6	72311787	1	DISC	DIN 125-6,4-ST.A3L
7	72315626	1	HEXAGONAL HEAD BOLT	DIN 933-M6 X 16-8.8-A3L
8	72397857	1	ANGLE	
10	72397853	1	SCREENING SHIELD	
	72397855	1	SCREENING SHIELD 77DB(A)	
11	72313268	2	NUT	DIN 934 M8-8A3L
12	72315053	2	SPLIT WASHER	FWN 65208-8-A3L
13	72311788	4	DISC	DIN 125-8,4-ST.A3L
14	72315651	2	HEXAGONAL HEAD BOLT	DIN 933 M8X22-8.8A3L
16	72315701	1	HEXAGONAL HEAD BOLT	DIN 933-M10X120-8.8-A3L
17	72311789	1	DISC	DIN 125-10,5-ST.A3L
18	72400514	1	ANGLE	
19	72313272	1	NUT	DIN 934 M10-8A3L
22	72315665	1	HEXAGONAL HEAD BOLT	DIN 933 M8X45-8.8A3L
23	72316967	1	SPACER TUBE	

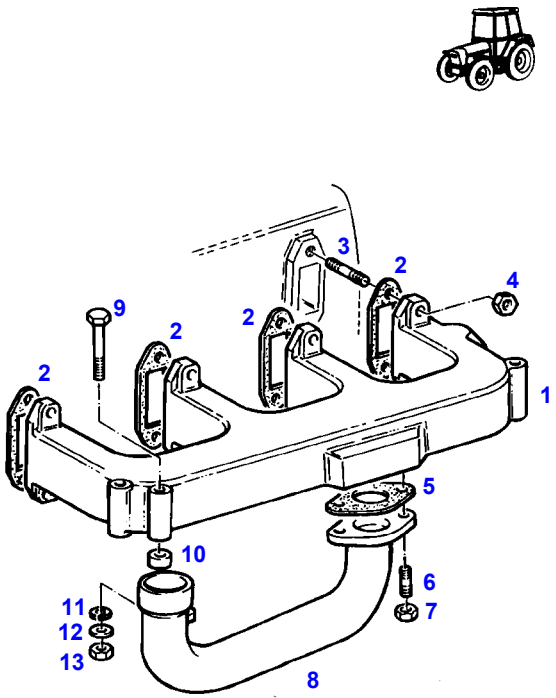
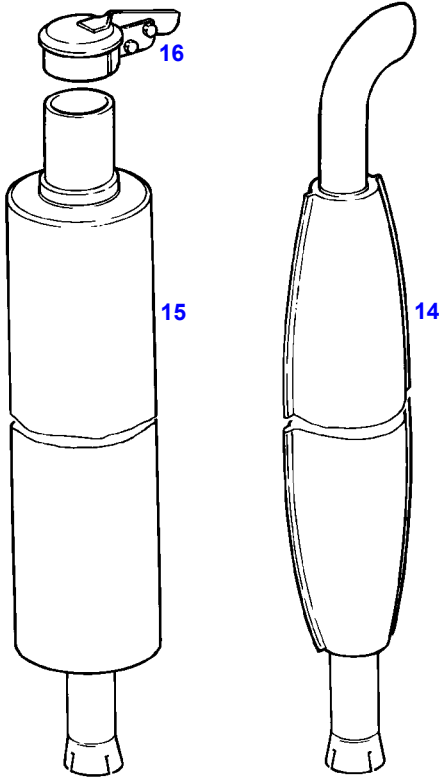
FARMER 270P (247/00001-99999)
6204



6204

Item	Part Number	Qty	Description Comments	Technical Specification
			UPRIGHT	
1	72359728	1	TAIL PIPE	
3	72400513	1	SCREENING SHIELD	
4	72313264	4	NUT	DIN 934 M5-8A3L
5	72315051	4	SPLIT WASHER	FWN 65208-5-A3L
6	72311818	4	DISC	DIN9021-5,3-140HV-A3L
7	72315619	4	HEXAGONAL HEAD BOLT	DIN 933 M5X16-8.8A3L
10	72400512	1	ANGLE	
11	72313268	3	NUT	DIN 934 M8-8A3L
12	72315053	3	SPLIT WASHER	FWN 65208-8-A3L
13	72311788	4	DISC	DIN 125-8,4-ST.A3L
14	72315653	1	HEXAGONAL HEAD BOLT	DIN 933 M8 X 25-8.8A3L
15	72315665	2	HEXAGONAL HEAD BOLT	DIN 933 M8X45-8.8A3L

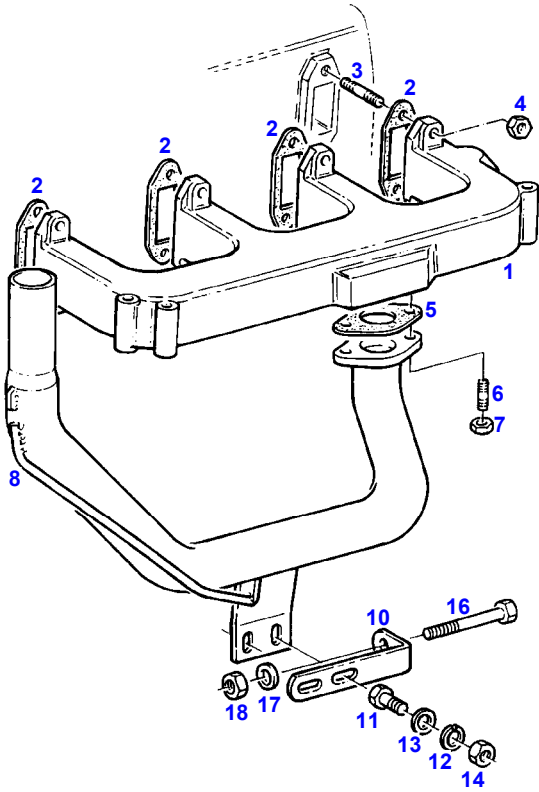
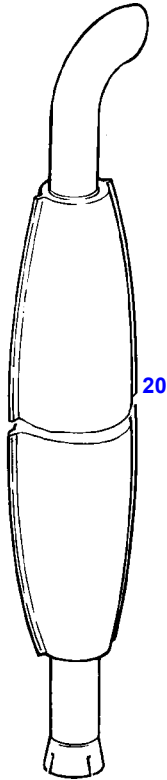
FARMER 270P (247/00001-99999)
5020



5020

Item	Part Number	Qty	Description Comments	Technical Specification
			--> 247/0486	
1	72398541	1	EXHAUST COLLECTING PIPE	
2	72431541	4	SEAL REPLACE ALL SEALS	
3	72373907	8	STUD BOLT	DIN 835 M8X35-8.8
4	72324283	8	NUT	
5	72376173	1	SEAL	DIN71511-56X82X1,5-ST AFM5M.E.
6	72313776	2	STUD BOLT	DIN 939 M10X25-8.8
7	72313273	2	NUT	DIN 934 M10-MS
8	72358477	1	EXHAUST PIPE <-- H205.200.103.010 <> <>	
	72315651	2	HEXAGONAL HEAD BOLT	DIN 933 M8X22-8.8A3L
	72315553	1	HEXAGONAL HEAD BOLT	DIN 931 M10X110 GWA-10.9
	72315053	2	SPLIT WASHER	FWN 65208-8-A3L
	72311788	2	DISC	DIN 125-8,4-ST.A3L
	72313272	1	NUT	DIN 934 M10-8A3L
	72311789	1	DISC	DIN 125-10,5-ST.A3L
	72400514	1	ANGLE	
	72313268	2	NUT	DIN 934 M8-8A3L
9	72315525	1	HEXAGONAL HEAD BOLT	DIN 931 M8 X 90-8.8A3L
10	72315174	1	RING	
11	72311788	1	DISC	DIN 125-8,4-ST.A3L
12	72315053	1	SPLIT WASHER	FWN 65208-8-A3L
13	72313268	1	NUT	DIN 934 M8-8A3L
14	72358126	1	EXHAUST MUFFLER	
15	72354927	1	SPARK ARRESTER ><15+16 <-- H205.200.101.020	
16	72348659	1	EXHAUST WEATHER CAP	

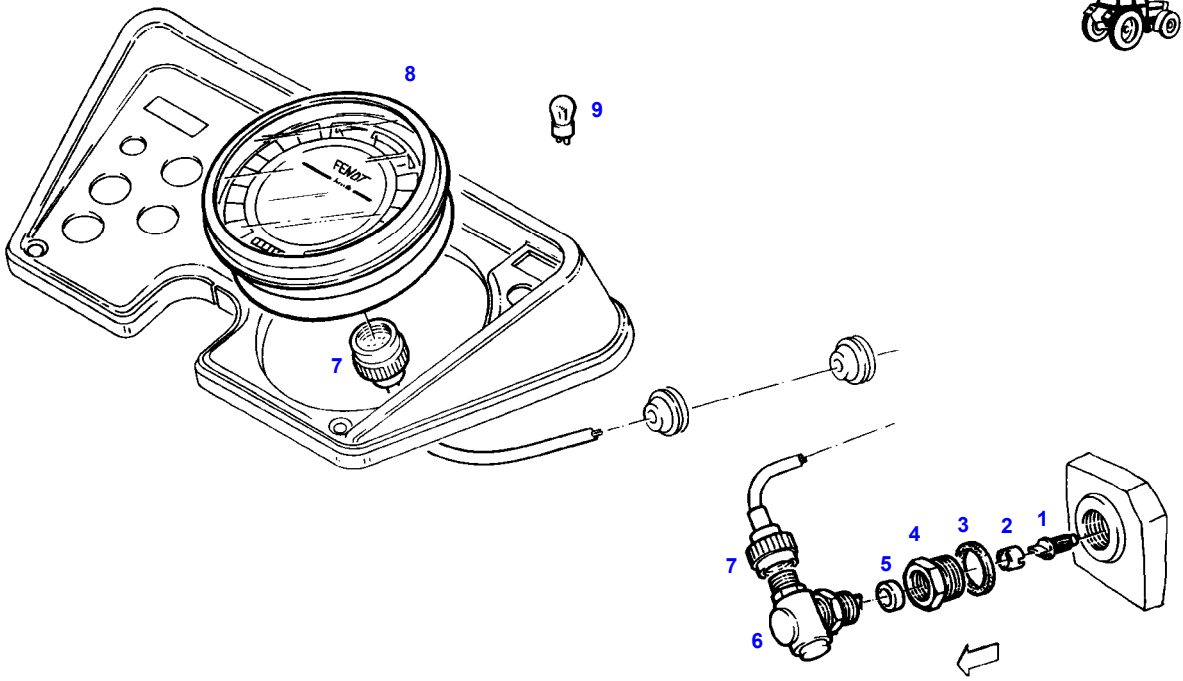
FARMER 270P (247/00001-99999)
10200



10200

Item	Part Number	Qty	Description Comments	Technical Specification
			<-- 247/0487	
1	72398541	1	EXHAUST COLLECTING PIPE	
2	72431541	4	SEAL REPLACE ALL SEALS	
3	72373907	8	STUD BOLT	DIN 835 M8X35-8.8
4	72324283	8	NUT	
5	72376173	1	SEAL	DIN71511-56X82X1,5-ST AFM5M.E.
6	72313776	2	STUD BOLT	DIN 939 M10X25-8.8
7	72313273	2	NUT	DIN 934 M10-MS
8	72358127	1	EXHAUST PIPE	
10	72400514	1	ANGLE	
11	72315651	2	HEXAGONAL HEAD BOLT	DIN 933 M8X22-8.8A3L
12	72315053	2	SPLIT WASHER	FWN 65208-8-A3L
13	72311788	4	DISC	DIN 125-8,4-ST.A3L
14	72313268	2	NUT	DIN 934 M8-8A3L
16	72315553	1	HEXAGONAL HEAD BOLT	DIN 931 M10X110 GWA-10.9
17	72311789	1	DISC	DIN 125-10,5-ST.A3L
18	72313272	1	NUT	DIN 934 M10-8A3L
20	72358126	1	EXHAUST MUFFLER	

FARMER 270P (247/00001-99999)
5013

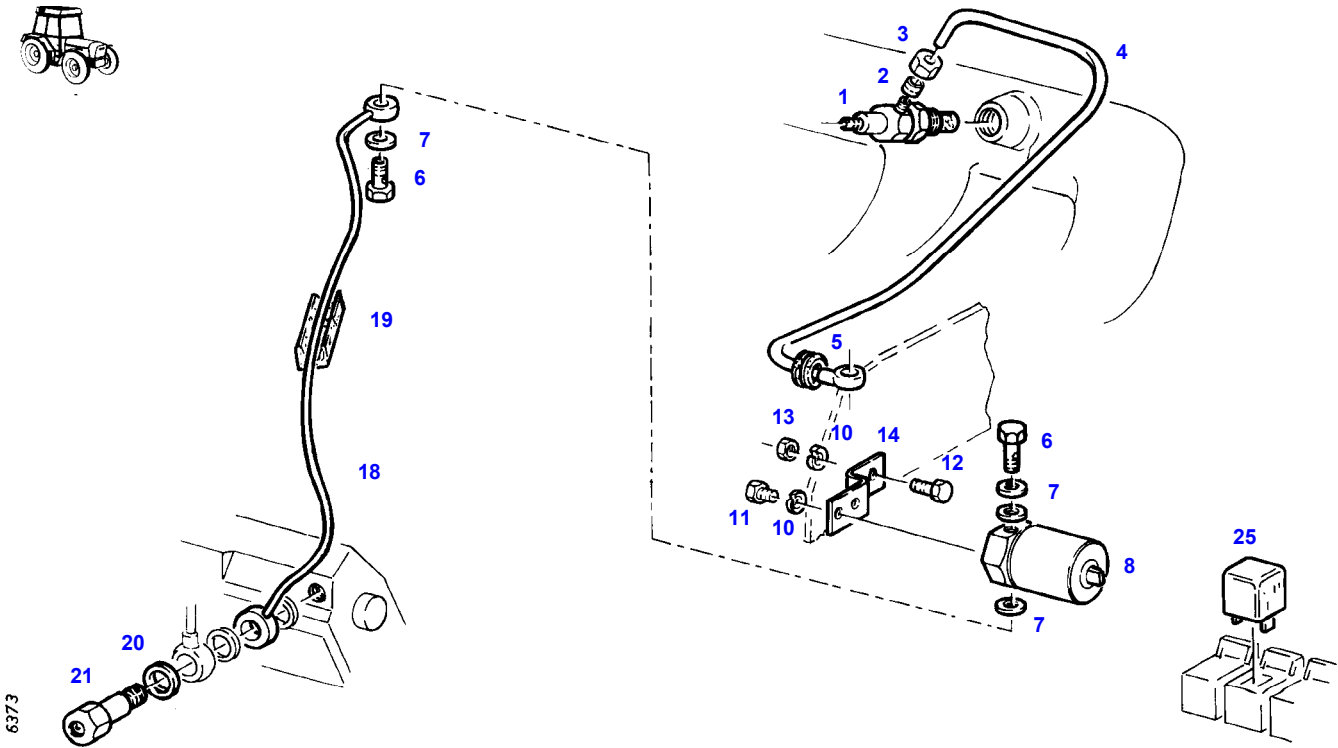


5013

Item	Part Number	Qty	Description Comments	Technical Specification
			--> 247/0732	
1	72323885	1	SPIGOT	
2	72324243	1	DRIVER	
3	72376036	1	SEALING WASHER	DIN7603 A24X30-ALU
4	72324020	1	SCREW	
5	72323976	1	RING	
6	72379876	1	BEVEL GEAR SYSTEM	
7	72379883	1	DRIVE SHAFT 1125 MM <-- F248.200.160.010	1125LG
8	72379859	1	INSTRUMENT CLUSTER ><8+9	
9	72379261	15	FILAMENT BULB	12V2W

Item	Part Number	Qty	Description Comments	Technical Specification
			--> 247/0402	
1	72433489	1	ROD FLAME GLOW PLUG	
2	72377312	1	DOUBLE V-RING	DIN 3862-6-9SMNPB28K+G
3	72378005	1	CONNECTING NUT	DIN 3870 ALL6-9S20K A3L
4	72358129	1	TUBING	
5	72323527	1	RUBBER MOUNTING	
6	72315806	2	BANJO BOLT	DIN 7643-6-3-A3L
7	72315088	4	SEALING WASHER	DIN 7603 A10X13,5-CU
8	72317090	1	VALVE SOLENOID	
9	72315628	2	HEXAGONAL HEAD BOLT	DIN 933 M6X10-8.8A3L
10	72315052	2	SPLIT WASHER	FWN 65208-6-A3L
11	72358128	1	TUBING	
12	72393741	1	STRAP	
13	72324065	1	VALVE	
14	72315095	1	SEALING WASHER	DIN 7603 A14X20-CU
15	72428226	1	GLOW TIME RELAY	
			<>	
	72433489	1	ROD FLAME GLOW PLUG	

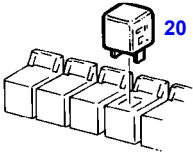
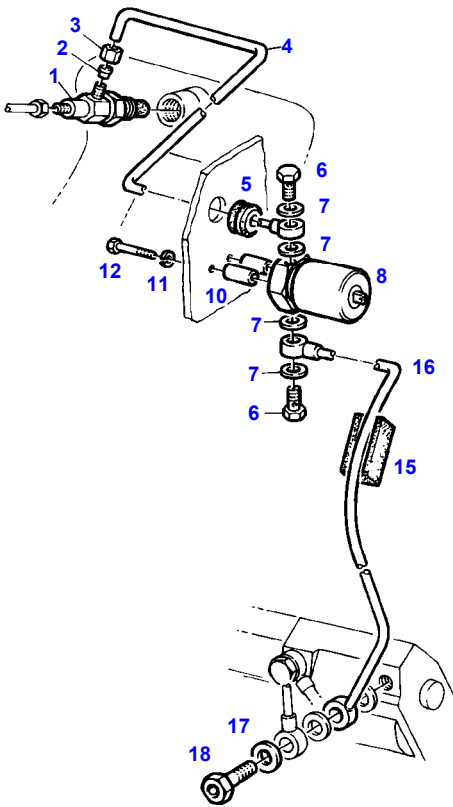
FARMER 270P (247/00001-99999)
6373



6373

Item	Part Number	Qty	Description Comments	Technical Specification
AIR BRAKIN SYSTEM				
1	72433489	1	ROD FLAME GLOW PLUG	
2	72377312	1	DOUBLE V-RING	DIN 3862-6-9SMNPB28K+G
3	72378005	1	CONNECTING NUT	DIN 3870 ALL6-9S20K A3L
4	72359723	1	TUBING	
5	72323527	1	RUBBER MOUNTING	
6	72315806	2	BANJO BOLT	DIN 7643-6-3-A3L
7	72315088	4	SEALING WASHER	DIN 7603 A10X13,5-CU
8	72317090	1	VALVE SOLENOID	
10	72315052	4	SPLIT WASHER	FWN 65208-6-A3L
11	72315628	2	HEXAGONAL HEAD BOLT	DIN 933 M6X10-8.8A3L
12	72315626	2	HEXAGONAL HEAD BOLT	DIN 933-M6 X 16-8.8-A3L
13	72313266	2	NUT	DIN 934 M6-8A3L
14	72400511	1	ANGLE	
18	72359722	1	TUBING	
19	72393741	1	STRAP	
20	72315095	1	SEALING WASHER	DIN 7603 A14X20-CU
21	72324065	1	VALVE	
25	72428226	1	GLOW TIME RELAY	
			<>	
	72433489	1	ROD FLAME GLOW PLUG	

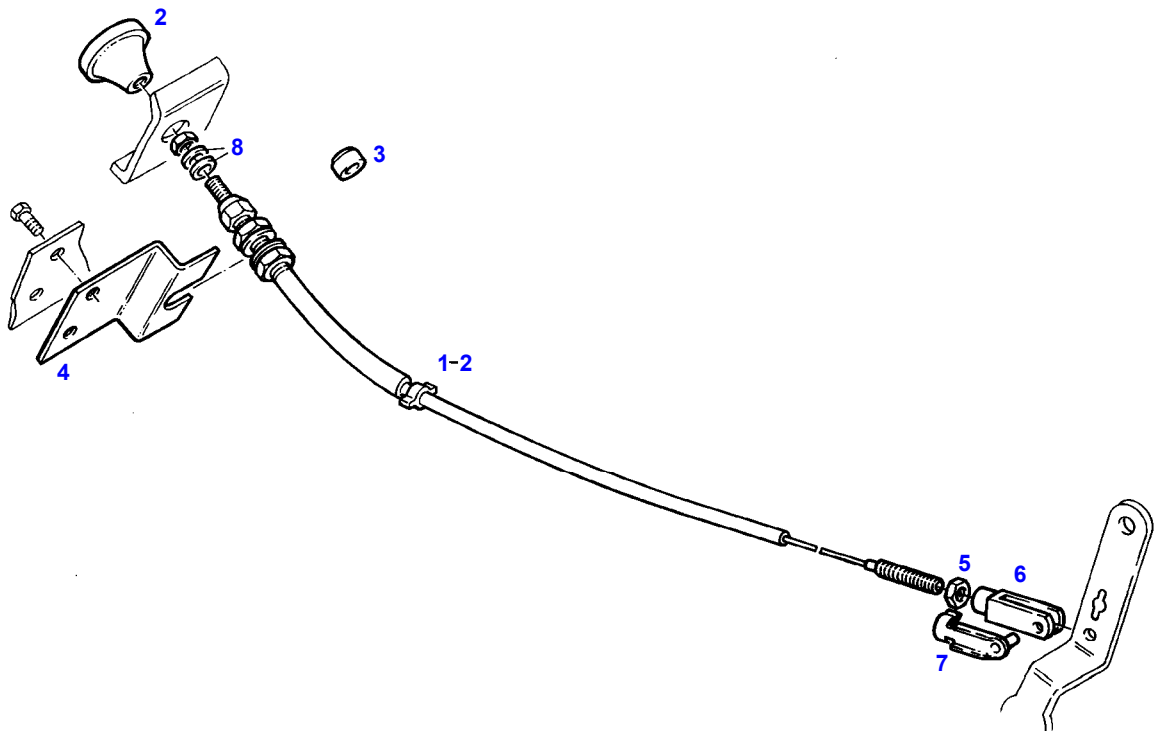
FARMER 270P (247/00001-99999)
7004



7004

Item	Part Number	Qty	Description Comments	Technical Specification
			<-- 247/0403	
1	72433489	1	ROD FLAME GLOW PLUG	
2	72377312	1	DOUBLE V-RING	DIN 3862-6-9SMNPB28K+G
3	72378005	1	CONNECTING NUT	DIN 3870 ALL6-9S20K A3L
4	72358131	1	TUBING	
5	72323527	1	RUBBER MOUNTING	
6	72315806	2	BANJO BOLT	DIN 7643-6-3-A3L
7	72315088	4	SEALING WASHER	DIN 7603 A10X13,5-CU
8	72317090	1	VALVE SOLENOID	
10	72397849	2	PIPE	
11	72315052	2	SPLIT WASHER	FWN 65208-6-A3L
12	72315635	2	HEXAGONAL HEAD BOLT	DIN 933 M6X35-8.8A3L
15	72393741	1	STRAP	
16	72358130	1	TUBING	
17	72315095	1	SEALING WASHER	DIN 7603 A14X20-CU
18	72324065	1	VALVE	
20	72428226	1	GLOW TIME RELAY	
			--> 247/0732 <>	
			<>	
	72348837	1	ROD FLAME GLOW PLUG	

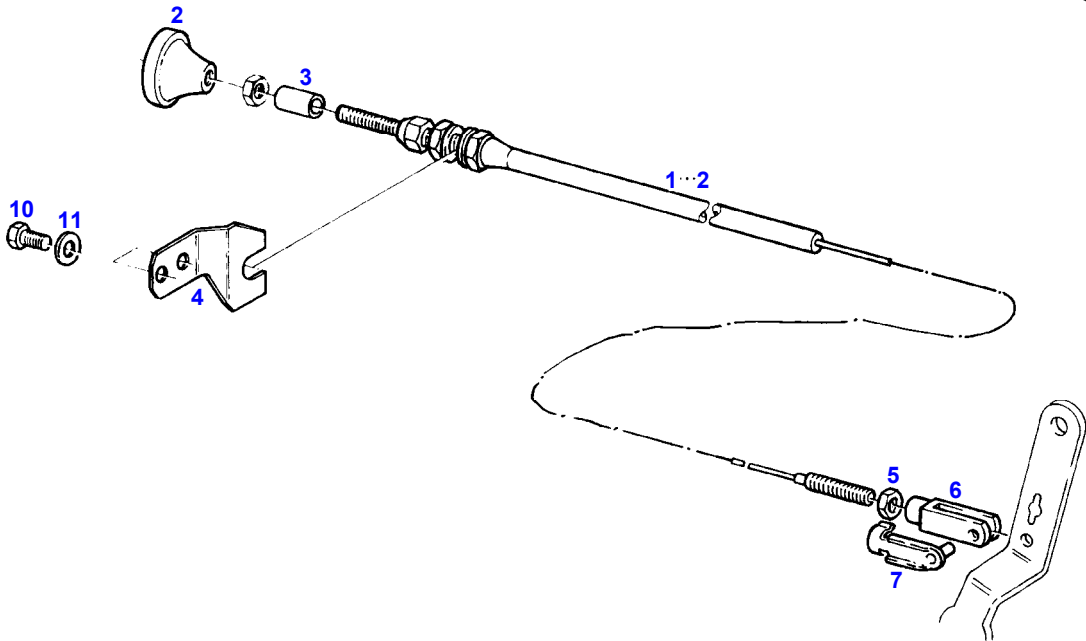
FARMER 270P (247/00001-99999)
5035



5035

Item	Part Number	Qty	Description Comments	Technical Specification
			--> 247/0766	
1	72348984	1	STOP CABLE ><2 FOR ENGLAND <>	
	72392846	1	SLEEVE	
2	72333129	1	HANDLE	
3	72392846	1	SLEEVE FOR ENGLAND	
4	72397851	1	ANGLE	
5	72313266	1	NUT	DIN 934 M6-8A3L
6	72311308	1	CLEVIS	DIN 71752 G6X24-A3L
7	72310448	1	BOLT	FWN 64072 6X24 A3L
8	72373360	2	RING	FWN64500-5,3-PE-NF

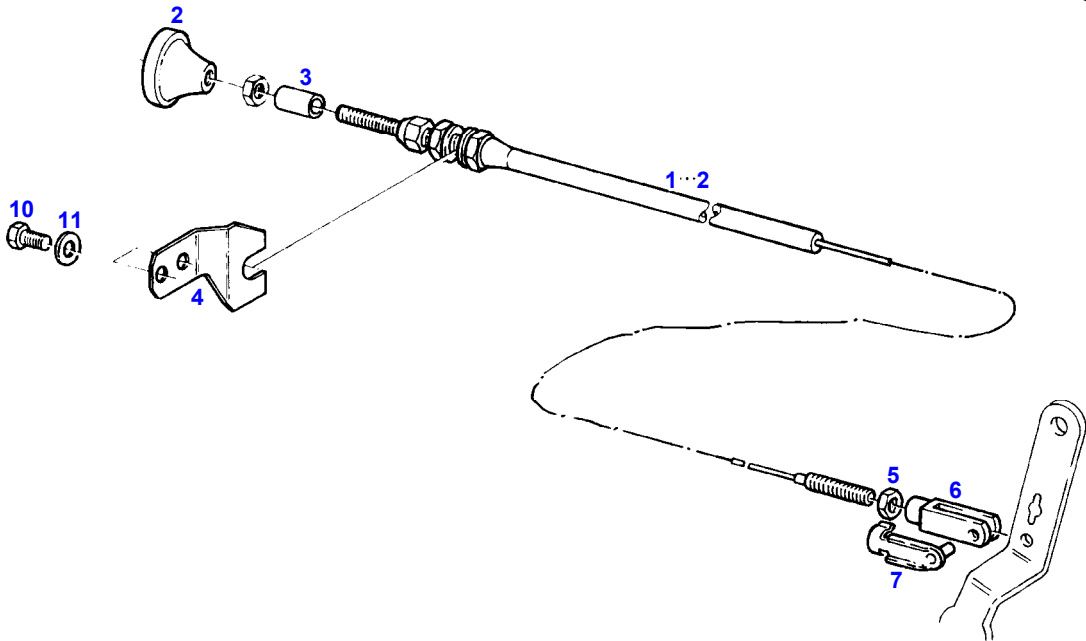
FARMER 270P (247/00001-99999)
9700



9700

Item	Part Number	Qty	Description Comments	Technical Specification
			<-- 247/0767	
1	72348984	1	STOP CABLE ><2	
2	72333129	1	HANDLE	
3	72310707	1	BUSH	
4	72407086	1	ANGLE	
5	72313266	1	NUT	DIN 934 M6-8A3L
6	72311308	1	CLEVIS	DIN 71752 G6X24-A3L
7	72310448	1	BOLT	FWN 64072 6X24 A3L
10	72315628	2	HEXAGONAL HEAD BOLT	DIN 933 M6X10-8.8A3L
11	72317120	2	SPRING WASHER	DIN 137 B6-MECH.VZK

FARMER 270P (247/00001-99999)
9700



9700



Suggest:

For more complete manuals. Please go to the home page.

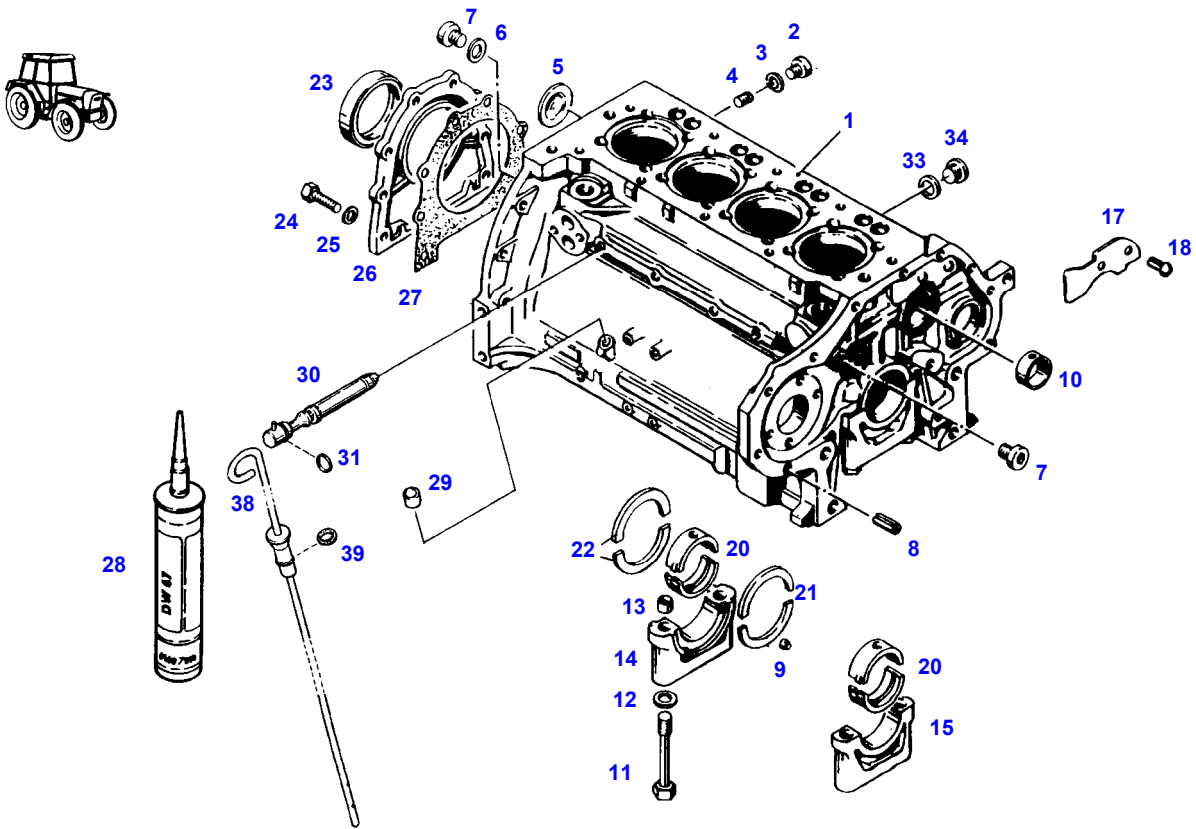
<https://www.ebooklibonline.com>

If the above button click is invalid. Please download this document first, and then click the above link to download the complete manual.

Thank you so much for reading

Item	Part Number	Qty	Description Comments	Technical Specification
			RESERVE GEARS SHIFT	
1	72348984	1	STOP CABLE ><2	
2	72333129	1	HANDLE	
3	72310707	1	BUSH	
4	72407086	1	ANGLE	
5	72313266	1	NUT	DIN 934 M6-8A3L
6	72311308	1	CLEVIS	DIN 71752 G6X24-A3L
7	72310448	1	BOLT	FWN 64072 6X24 A3L
10	72315628	2	HEXAGONAL HEAD BOLT	DIN 933 M6X10-8.8A3L
11	72317120	2	SPRING WASHER	DIN 137 B6-MECH.VZK

FARMER 270P (247/00001-99999)
5448



8778

<https://www.ebooklibonline.com>

Hello dear friend!

Thank you very much for reading.

Enter the link into your browser.

The full manual is available for immediate download.

<https://www.ebooklibonline.com>