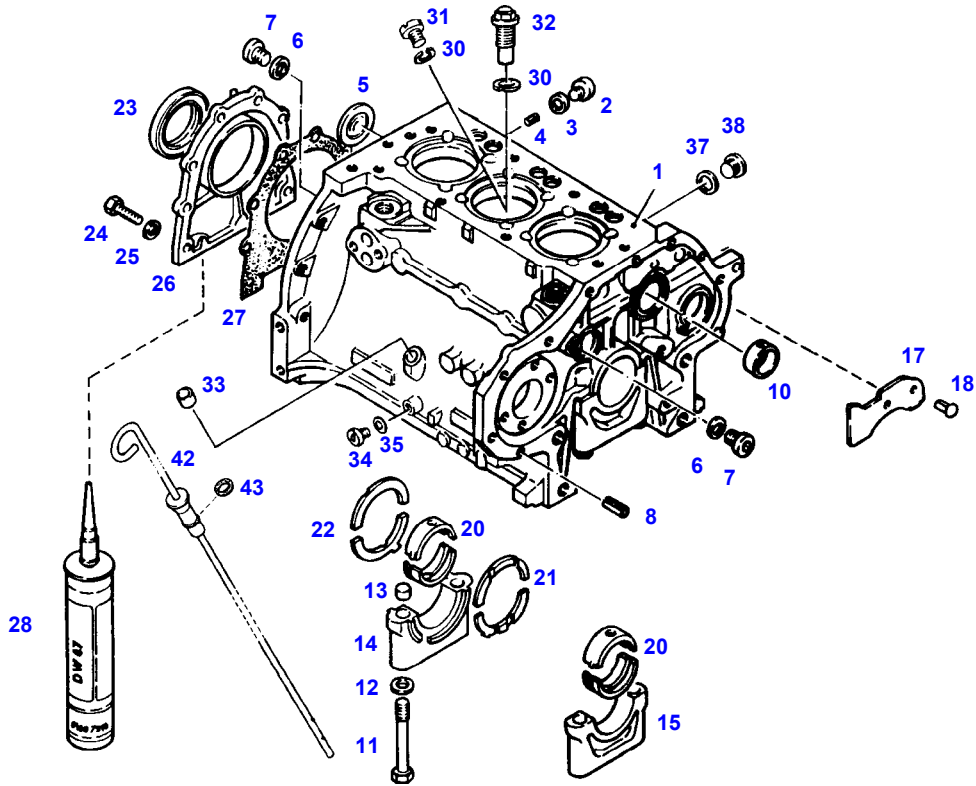


TABLE OF CONTENT

| Page Number | Page Title | Page Reference |
|--------------------|-------------------------------------|-----------------------|
| 01-000-TOC | ENGINE, FUEL AND EXHAUST SYSTEM | 01-000-TOC |
| 02-000-TOC | AXLES | 02-000-TOC |
| 03-000-TOC | STEERING SYSTEM | 03-000-TOC |
| 04-000-TOC | DRIVE TRAIN SYSTEM | 04-000-TOC |
| 05-000-TOC | COMPRESSED AIR SYSTEM | 05-000-TOC |
| 06-000-TOC | HYDRAULIC SYSTEM | 06-000-TOC |
| 07-000-TOC | ELECTRICAL SYSTEM | 07-000-TOC |
| 08-000-TOC | CAB | 08-000-TOC |
| 09-000-TOC | AIR CONDITIONING AND HEATING SYSTEM | 09-000-TOC |
| 10-000-TOC | CHASSIS | 10-000-TOC |
| 11-000-TOC | WHEELS | 11-000-TOC |
| 12-000-TOC | IMPLEMENT LIFT SYSTEM FRONT | 12-000-TOC |
| 13-000-TOC | IMPLEMENT LIFT SYSTEM REAR | 13-000-TOC |
| 14-000-TOC | FRONT/REAR LOADERS | 14-000-TOC |
| 15-000-TOC | ACCESSORIES | 15-000-TOC |

FARMER 260V (206/00001-99999)
5443



5443

| Item | Part Number | Qty | Description Comments | Technical Specification |
|------|-------------|-----|--|-------------------------|
| | | | <-- 206/3315 | |
| | 72438557 | 1 | DIESEL ENGINE <-- 206/3315 --> 206/7002 | |
| | 72436663 | 1 | DIESEL ENGINE <-- 206/7003 | |
| 1 | 72333413 | 1 | CRANKCASE ><1-15 | |
| | 72427478 | 1 | SEAL KIT --> 206/8895 <-- 206/8897 --> 206/9042 | |
| | 72427478 | 1 | SEAL KIT <-- 206/8896 --> 206/8896 <-- 206/9043 | |
| 2 | 72427167 | 3 | SCREW | DIN 908 M12 X 1,5-ST-A3 |
| 3 | 72315090 | 3 | SEALING WASHER | DIN 7603 A12X15,5-CU |
| 4 | 72323675 | 4 | SLOTTED PLUG | |
| 5 | 72323690 | 1 | LOCKING DISC | |
| 6 | 72376031 | 2 | SEALING WASHER | DIN 7603 A20X24-CU |
| 7 | 72323672 | 2 | SCREW | |
| 8 | 72323573 | 2 | TENSIONER BUSHING | |
| 10 | 72344344 | 1 | BUSH | |
| 11 | 72344343 | 8 | HEXAGONAL HEAD BOLT | |
| 12 | 72323682 | 8 | DISC | |
| 13 | 72344342 | 8 | ADAPTER BUSH | |
| 14 | | | NOT USED | |
| 15 | | | NOT USED | |
| 17 | 72344345 | 1 | BAFFLE | |
| 18 | 72372707 | 2 | SLOTTED PIN | DIN 1476-6X10-ST |
| 20 | 72324293 | 4 | CRANKSHAFT BEARING 70,00 MM | |
| | 72415975 | 4 | CRANKSHAFT BEARING 69,75 MM | |
| | 72415976 | 4 | CRANKSHAFT BEARING 69,50 MM | |
| 21 | 72323983 | 1 | THRUST RING 3,00 MM --> 206/8895 <-- 206/8897 --> 206/9042 | |
| | 72323984 | 1 | THRUST RING FOR STEEL CRANKSHAFT 3,25 MM --> 206/8895 <-- 206/8897 --> 206/9042 | |
| | 72425121 | 1 | THRUST RING FOR CAST STEEL CRANKSHAFT 3,14 MM --> 206/8895 <-- 206/8897 --> 206/9042 | |
| | 72323985 | 1 | THRUST RING FOR STEEL CRANKSHAFT 3,50 MM --> 206/8895 <-- 206/8897 --> 206/9042 | |
| | 72317654 | 1 | THRUST RING 2,94 MM <-- 206/8896 --> 206/8896 <-- 206/9043 | |
| | 72425121 | 1 | THRUST RING FOR CAST STEEL CRANKSHAFT 3,14 MM <-- 206/8896 --> 206/8896 <-- 206/9043 | |

<https://www.ebooklibonline.com>

Hello dear friend!

Thank you very much for reading.

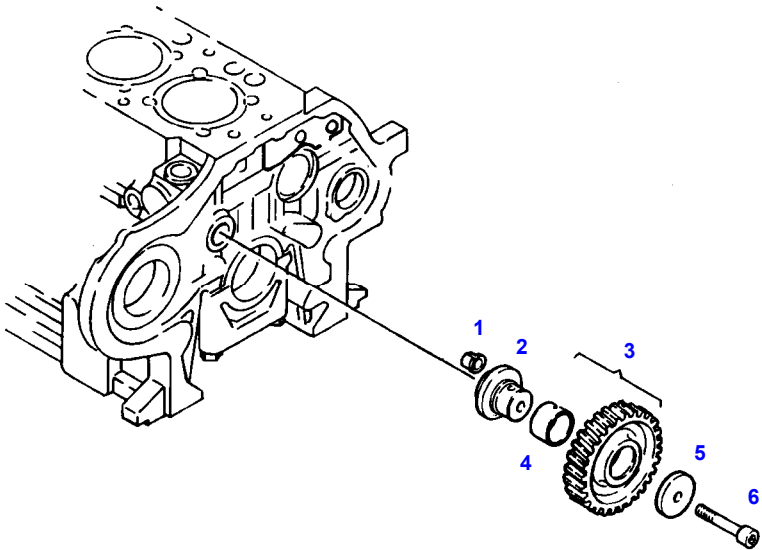
Enter the link into your browser.

The full manual is available for immediate download.

<https://www.ebooklibonline.com>

| Item | Part Number | Qty | Description Comments | Technical Specification |
|------|-------------|-----|--|-------------------------|
| 22 | 72425118 | 1 | THRUST RING 2,94 MM | |
| | 72323990 | 1 | THRUST RING FOR STEEL CRANKSHAFT 3,25 MM --> 206/8895 <-- 206/8897 --> 206/9042 | |
| | 72323991 | 1 | THRUST RING FOR STEEL CRANKSHAFT 3,50 MM --> 206/8895 <-- 206/8897 --> 206/9042 | |
| | 72496405 | 1 | THRUST RING FOR CAST STEEL CRANKSHAFT 3,14 MM <-- 206/8896 --> 206/8896 <-- 206/9043 | 3,14MM |
| 23 | 72425119 | 1 | SHAFT SEAL | |
| 24 | 72315650 | 8 | HEXAGONAL HEAD BOLT | DIN 933 M8 X 20-8.8A3L |
| 25 | 72311788 | 8 | DISC | DIN 125-8,4-ST.A3L |
| 26 | 72324099 | 1 | COVER | |
| 27 | 72324291 | 1 | SEAL /28 | |
| 28 | 72311273 | 1 | SEALING COMPOUND /27 | TEROST-63S |
| 30 | 72315063 | 3 | SPLIT WASHER | FWN65237-8-A3L |
| 31 | | | NOT USED | |
| 32 | 72420361 | 3 | SPRAY NOZZLE | |
| 33 | 72323574 | 1 | TENSIONER BUSHING | |
| 34 | 72374942 | 1 | PLUG | DIN 7604 CM10X1-ST |
| 35 | 72315088 | 1 | SEALING WASHER | DIN 7603 A10X13,5-CU |
| 37 | 72315090 | 1 | SEALING WASHER | DIN 7603 A12X15,5-CU |
| 38 | 72427167 | 1 | SCREW | DIN 908 M12 X 1,5-ST-A3 |
| 42 | 72323654 | 1 | OIL LEVEL DIPSTICK ><42+43 | |
| 43 | 72323631 | 1 | SEAL | |

FARMER 260V (206/00001-99999)
5444



5444

Fendt

FARMER 260V (206/00001-99999)

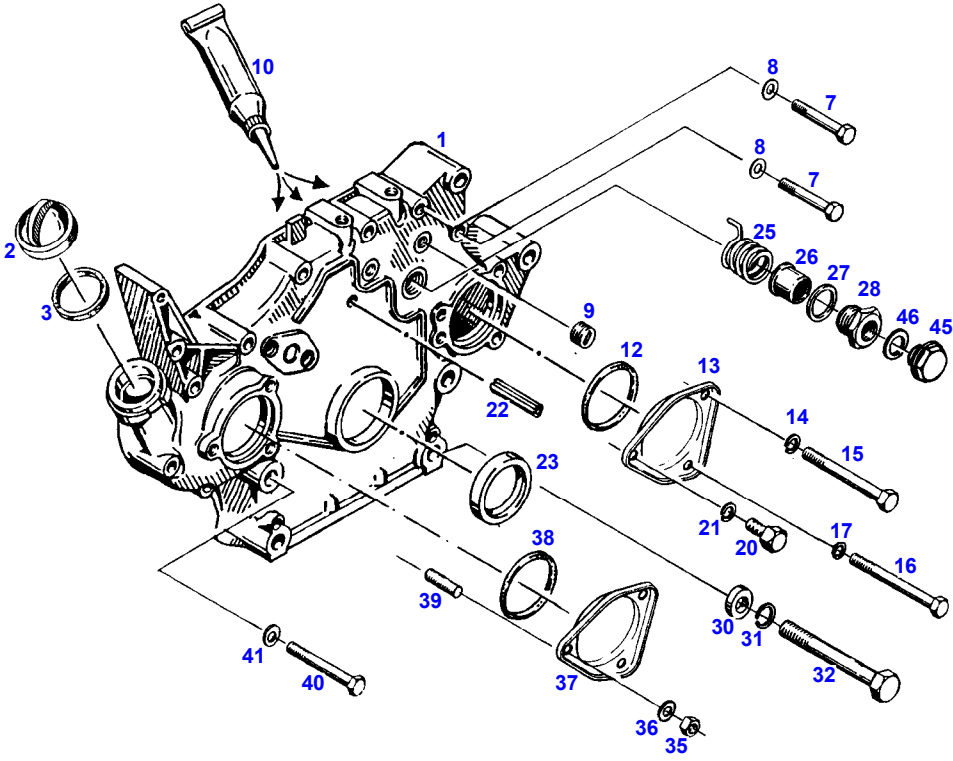
F206000

INTERM. GEAR WHEEL

Page01-0026

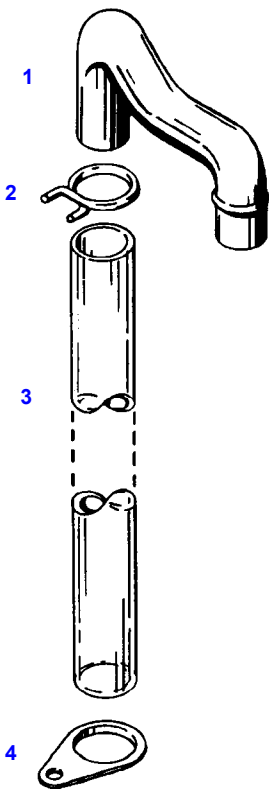
| Item | Part Number | Qty | Description Comments |
|------|-------------|-----|----------------------------|
| 1 | 72344346 | 1 | TENSIONER BUSHING |
| 2 | 72344347 | 1 | PIVOT |
| 3 | 72324444 | 1 | INTERMEDIATE GEAR ><3+4 |
| 4 | 72324307 | 1 | BUSH |
| 5 | 72324457 | 1 | DISC |
| 6 | 72324090 | 1 | SOCKET HEAD BOLT |

FARMER 260V (206/00001-99999)
10067



10067

| Item | Part Number | Qty | Description Comments | Technical Specification |
|------|-------------|-----|---|--------------------------------|
| 1 | 72323843 | 1 | COVER | |
| 2 | 72323709 | 1 | COVER ><2+3 | |
| 3 | 72323708 | 1 | SEALING WASHER | |
| 7 | 72315534 | 2 | HEXAGONAL HEAD BOLT | DIN 931 M8 X 70-8.8 |
| 8 | 72311788 | 2 | DISC | DIN 125-8,4-ST.A3L |
| 9 | 72323556 | 1 | SLOTTED PLUG | |
| 10 | 72311273 | 1 | SEALING COMPOUND | TEROST-63S |
| 12 | 72323566 | 1 | PERMANENT REINFORCEMENT | |
| 13 | 72324418 | 1 | COVER | |
| | 72400932 | 1 | COVER AIR SUPPLY EQUIPEMENT/AIR CONDITION AIR SUPPLY EQUIPMENT WITH ARI CONDITION | |
| 14 | 72315054 | 1 | SPLIT WASHER | FWN 65208-10-A3L |
| 15 | 72374183 | 1 | HEXAGONAL HEAD BOLT | DIN 931 M10X75-8.8 |
| 16 | 72315537 | 1 | HEXAGONAL HEAD BOLT | DIN 931 M8X85-8.8A3L |
| 17 | 72311788 | 1 | DISC | DIN 125-8,4-ST.A3L |
| 20 | 72374417 | 1 | HEXAGONAL HEAD BOLT | DIN 933 M8X8-8.8 |
| 21 | 72315053 | 1 | SPLIT WASHER | FWN 65208-8-A3L |
| 22 | 72375153 | 1 | TENSIONING PIN | ISO8752-6X45-A-ST-ZNPHR10F-KOE |
| 23 | 72317651 | 1 | SHAFT SEAL | |
| 25 | 72324159 | 1 | COMPRESSION SPRING | |
| 26 | 72323827 | 1 | START-UP CAP | |
| 27 | 72376036 | 1 | SEALING WASHER | DIN7603 A24X30-ALU |
| 28 | 72324020 | 1 | SCREW | |
| 30 | 72311805 | 16 | DISC | DIN 433-15-ST.A3L |
| 31 | 72315056 | 4 | SPLIT WASHER | FWN 65208-14-A3L |
| 32 | 72374266 | 4 | HEXAGONAL HEAD BOLT | DIN 931 M14X100-8.8 |
| 35 | 72313268 | 3 | NUT | DIN 934 M8-8A3L |
| 36 | 72323688 | 3 | RING | |
| 37 | 72324418 | 1 | COVER | |
| 38 | 72323566 | 1 | PERMANENT REINFORCEMENT | |
| 39 | 72373897 | 3 | STUD BOLT --> 206/7000 | DIN 835 M8X18-A4C |
| | 72373899 | 3 | STUD BOLT <-- 206/7001 | DIN 835 M8X20-A4C |
| 40 | 72606335 | 1 | HEXAGONAL HEAD BOLT | M8X60 |
| 41 | 72311788 | 1 | DISC | DIN 125-8,4-ST.A3L |
| 45 | 72315801 | 1 | SCREW <-- 206/3315 | DIN 7604-AM18 X 1,5-ST A3L |
| 46 | 72315099 | 1 | SEALING WASHER <-- 206/3315 | DIN 7603 A18X22-CU |



5445

Fendt

FARMER 260V (206/00001-99999)

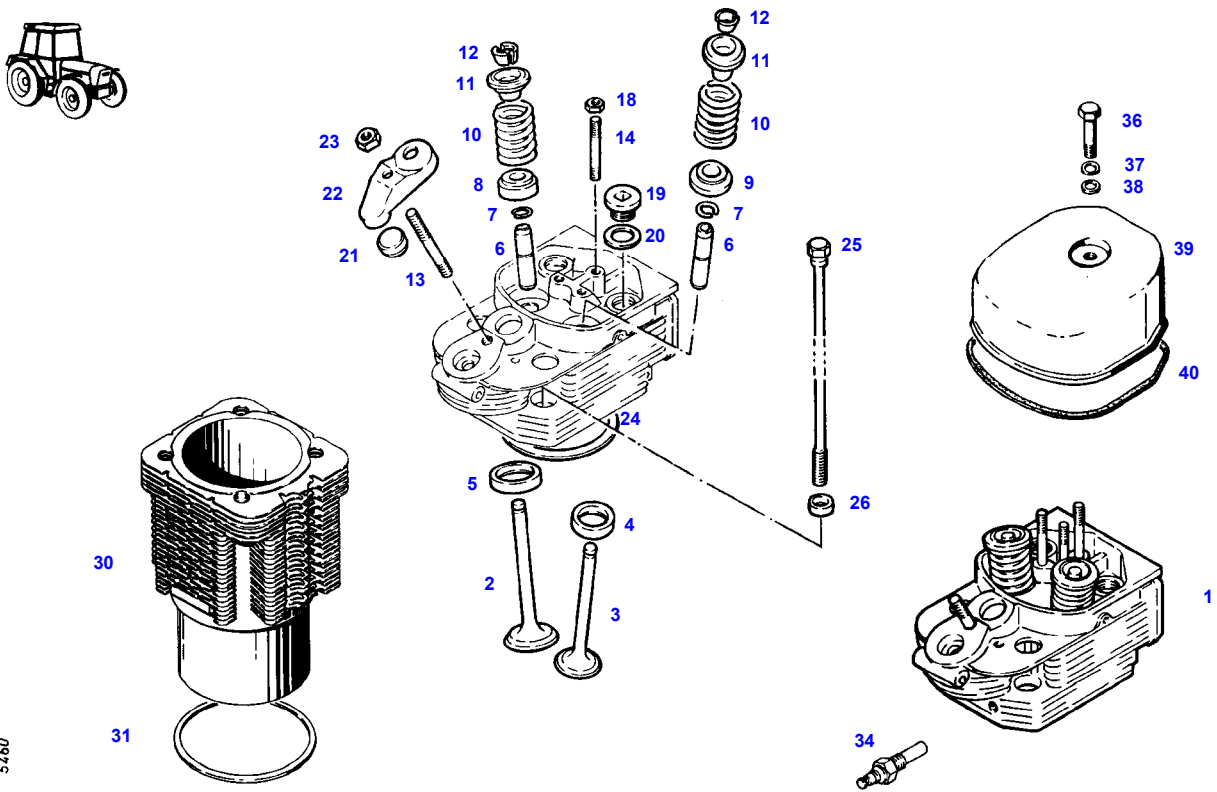
F206000

BREATHER PIPE

Page01-0028

| Item | Part Number | Qty | Description Comments |
|------|-------------|-----|-------------------------|
| 1 | 72323767 | 1 | PIPE |
| 2 | 72323550 | 1 | CLAMP |
| 3 | 72323735 | 1 | HOSE |
| 4 | 72323745 | 1 | RETAINING SHEET METAL |

FARMER 260V (206/00001-99999)
5460



| Item | Part Number | Qty | Description Comments | Technical Specification |
|------|-------------|-----|---|-------------------------|
| | | | --> 206/7000 | |
| 1 | 72324423 | 3 | CYLINDER HEAD ><1-14 <>24 --> 206/3314 <> | |
| | 72344279 | 3 | COMPENSATING RING | |
| | 72324496 | 3 | COMPENSATING RING | |
| | 72344278 | 3 | COMPENSATING RING | |
| | 72344281 | 3 | COMPENSATING RING | |
| | 72344275 | 3 | COMPENSATING RING | |
| | 72344276 | 3 | COMPENSATING RING | |
| | 72344282 | 3 | COMPENSATING RING | |
| | 72344280 | 3 | COMPENSATING RING | |
| | 72344277 | 3 | COMPENSATING RING | |
| | 72344274 | 3 | COMPENSATING RING | |
| | 72333466 | 3 | CYLINDER HEAD ><1-14 <>24 <-- 206/3315 <> | |
| | 72344279 | 3 | COMPENSATING RING | |
| | 72324496 | 3 | COMPENSATING RING | |
| | 72344276 | 3 | COMPENSATING RING | |
| | 72344277 | 3 | COMPENSATING RING | |
| | 72344282 | 3 | COMPENSATING RING | |
| | 72344278 | 3 | COMPENSATING RING | |
| | 72344275 | 3 | COMPENSATING RING | |
| | 72344280 | 3 | COMPENSATING RING | |
| | 72344281 | 3 | COMPENSATING RING | |
| | 72344274 | 3 | COMPENSATING RING | |
| 2 | 72324437 | 3 | INTAKE VALVE --> 206/3314 <> | |
| | 72333115 | 2 | VALVE SPRING KEY | |
| | 72323888 | 1 | SPRING RETAINER | |
| | 72324437 | 3 | INTAKE VALVE <-- 206/3315 | |
| 3 | 72425071 | 3 | OUTLET VALVE --> 206/3314 <> | |
| | 72323888 | 1 | SPRING RETAINER | |
| | 72333115 | 2 | VALVE SPRING KEY | |
| | 72425071 | 3 | OUTLET VALVE <-- 206/3315 | |
| 4 | 72323897 | 3 | VALVE SEAT RING 40,16 MM | |
| | 72323898 | 3 | VALVE SEAT RING 40,26 MM | |
| | 72323899 | 3 | VALVE SEAT RING 40,36 MM | |
| 5 | 72323894 | 3 | VALVE SEAT RING 45,66 MM | |
| | 72323895 | 3 | VALVE SEAT RING 45,76 MM | |
| | 72323896 | 3 | VALVE SEAT RING 45,85 MM | |
| 6 | 72324060 | 6 | VALVE GUIDE 15,00 MM | |
| | 72324070 | 6 | VALVE GUIDE 15,25 MM | |
| | 72324071 | 6 | VALVE GUIDE 15,50 MM | |
| 7 | 72323676 | 6 | LOCKWASHER | |

| Item | Part Number | Qty | Description Comments | Technical Specification |
|------|-------------|-----|--|-------------------------|
| 8 | 72323783 | 3 | VALVE TURN. DEV. --> 206/3314 | |
| 9 | 72323888 | 3 | SPRING RETAINER | |
| 10 | 72324338 | 6 | COMPRESSION SPRING | |
| 11 | 72324349 | 6 | SPRING RETAINER | |
| 12 | 72323582 | 12 | TAPER PIECE HALF | |
| | 72333115 | 12 | VALVE SPRING KEY THREE GROOVE | |
| 13 | 72373929 | 3 | STUD BOLT | DIN 835 M10X70-8.8 |
| 14 | 72418370 | 9 | STUD BOLT | DIN 835-M8 SN4X55-8.8 |
| 18 | 72313268 | 9 | NUT | DIN 934 M8-8A3L |
| 19 | 72373957 | 6 | SCREW --> 206/3314 | DIN 908-M26X1,5-ST-A3L |
| | 72373957 | 6 | SCREW <-- 206/3315 | DIN 908-M26X1,5-ST-A3L |
| 20 | 72315104 | 6 | SEALING WASHER --> 206/3314 | DIN 7603 A26X31-CU |
| 21 | 72323919 | 3 | DISC | |
| 22 | 72323921 | 3 | HOLDER | |
| 23 | 72313272 | 3 | NUT | DIN 934 M10-8A3L |
| 24 | 72324496 | 3 | COMPENSATING RING 1,10 MM | |
| | 72344274 | 3 | COMPENSATING RING 1,15 MM | |
| | 72344275 | 3 | COMPENSATING RING 1,20 MM | |
| | 72344276 | 3 | COMPENSATING RING 1,25 MM | |
| | 72344277 | 3 | COMPENSATING RING 1,30 MM | |
| | 72344278 | 3 | COMPENSATING RING 1,35 MM | |
| | 72344279 | 3 | COMPENSATING RING 1,40 MM | |
| | 72344280 | 3 | COMPENSATING RING 1,45 MM | |
| | 72344281 | 3 | COMPENSATING RING 1,50 MM | |
| | 72344282 | 3 | COMPENSATING RING 1,55 MM | |
| 25 | 72324409 | 12 | SOCKET HEAD BOLT | |
| 26 | 72324345 | 12 | MACHINE WASHER | |
| 30 | 72324477 | 3 | CYLINDER 102,00 MM | |
| 31 | 72323891 | X | COMPENSATING RING 0,20 MM | |
| | 72324067 | X | COMPENSATING RING 0,50 MM | |
| | 72324374 | X | COMPENSATING RING 0,80 MM | |
| | 72324201 | X | COMPENSATING RING 1,00 MM | |
| 34 | | | SEE LIGHTS AND HORN | |
| 36 | 72315657 | 3 | HEXAGONAL HEAD BOLT | DIN 933 M8 X 30-8.8A3L |
| | 72325293 | 3 | HEXAGONAL HEAD BOLT FOR DOMED CYLINDER HEAD COVER | M8X30 |
| 37 | 72311788 | 3 | DISC | DIN 125-8,4-ST.A3L |
| 38 | 72323693 | 3 | SEALING WASHER | |
| | 72488855 | 3 | SEALING WASHER FOR DOMED CYLINDER HEAD COVER | |
| 39 | 72324097 | 3 | CYLINDER HEAD COVER FLAT <-- F149.200.210.240 | |

Fendt

FARMER 260V (206/00001-99999)

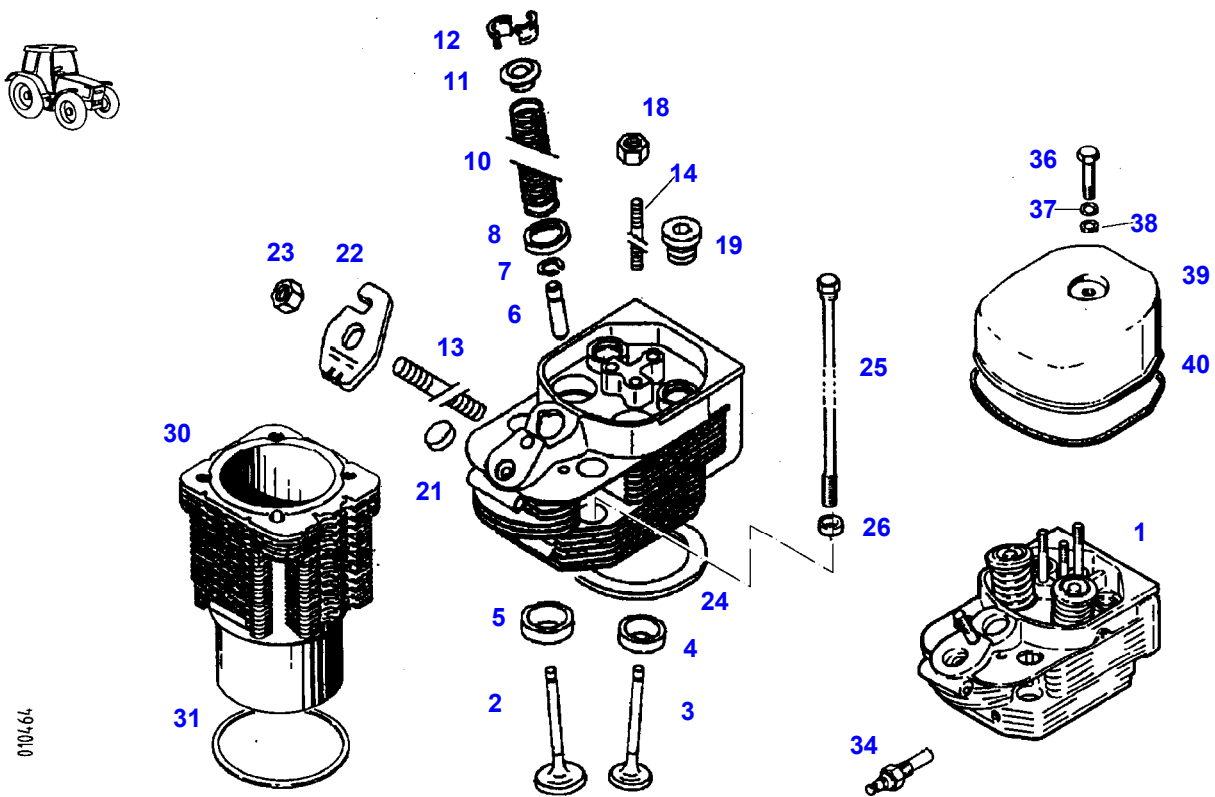
F206000

CYLINDER

Page01-0029

| Item | Part Number | Qty | Description Comments | Technical Specification |
|------|-------------|-----|--|-------------------------|
| | 72488845 | 3 | CYLINDER HEAD COVER VAULTED ><36,38,40 | |
| 40 | 72485671 | 3 | SEAL | |
| | 72485671 | 3 | SEAL FOR DOMED CYLINDER HEAD COVER | |

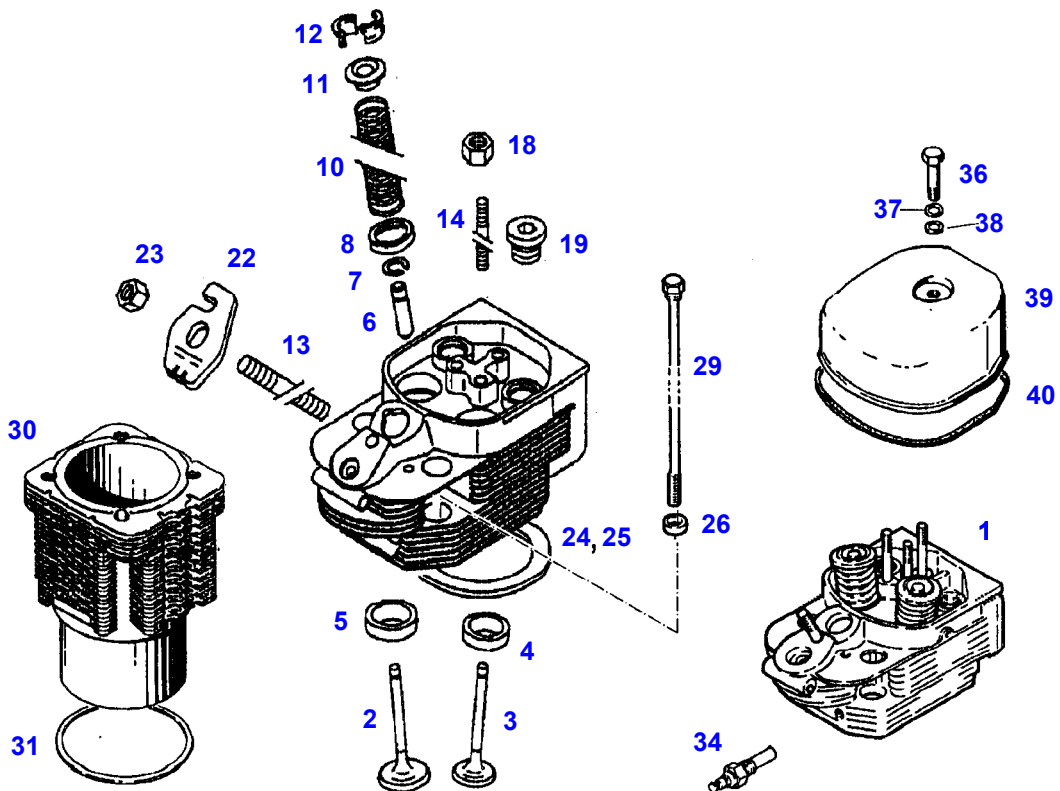
FARMER 260V (206/00001-99999)
10464



| Item | Part Number | Qty | Description Comments | Technical Specification |
|------|-------------|-----|--|-------------------------|
| | | | <-- 206/7001 --> 206/8895 <-- 206/8897 --> 206/9042 | |
| 1 | 72474193 | 3 | CYLINDER HEAD ><1-14 <>24 <> | |
| | 72333127 | 3 | COMPENSATING RING | |
| | 72344280 | 3 | COMPENSATING RING | |
| | 72333128 | 3 | COMPENSATING RING | |
| | 72344275 | 3 | COMPENSATING RING | |
| | 72344282 | 3 | COMPENSATING RING | |
| 2 | 72333119 | 3 | INTAKE VALVE | |
| 3 | 72333118 | 3 | OUTLET VALVE | |
| 4 | 72323897 | 3 | VALVE SEAT RING 40,16 MM | |
| | 72323898 | 3 | VALVE SEAT RING 40,26 MM | |
| | 72323899 | 3 | VALVE SEAT RING 40,36 MM | |
| 5 | 72333122 | 3 | VALVE SEAT RING 45,66 MM | |
| | 72333125 | 3 | VALVE SEAT RING 45,76 MM | |
| | 72333126 | 3 | VALVE SEAT RING 45,86 MM | |
| 6 | 72333121 | 6 | VALVE GUIDE DUAL GROOVE 15,00 MM | |
| | 72415971 | 6 | VALVE GUIDE SINGLE GROOVE 15,00 MM | |
| | 72333123 | 6 | VALVE GUIDE 15,25 MM | |
| | 72333124 | 6 | VALVE GUIDE 15,50 MM | |
| 7 | 72323676 | 6 | LOCKWASHER | |
| 8 | 72323888 | 6 | SPRING RETAINER | |
| 10 | 72324338 | 6 | COMPRESSION SPRING | |
| 11 | 72324349 | 6 | SPRING RETAINER | |
| 12 | 72333115 | 12 | VALVE SPRING KEY | |
| 13 | 72373927 | 3 | STUD BOLT | DIN 835 M10X50-8.8 |
| 14 | 72418370 | 9 | STUD BOLT | DIN 835-M8 SN4X55-8.8 |
| 18 | 72313268 | 9 | NUT | DIN 934 M8-8A3L |
| 19 | 72373957 | 6 | SCREW | DIN 908-M26X1,5-ST-A3L |
| 21 | 72323919 | 3 | DISC | |
| 22 | 72333416 | 3 | HOLDER | |
| 23 | 72313271 | 3 | NUT | DIN 934 M10-8 |
| 24 | 72344275 | 3 | COMPENSATING RING 1,20 MM | |
| | 72344280 | 3 | COMPENSATING RING 1,45 MM | |
| | 72344282 | 3 | COMPENSATING RING 1,55 MM | |
| | 72333127 | 3 | COMPENSATING RING 1,65 MM | |
| | 72333128 | 3 | COMPENSATING RING 1,90 MM | |
| 25 | 72324409 | 12 | SOCKET HEAD BOLT | |
| 26 | 72324345 | 12 | MACHINE WASHER | |
| 30 | 72324477 | 3 | CYLINDER 102,00 MM | |
| 31 | 72323891 | X | COMPENSATING RING 0,20 MM | |

| Item | Part Number | Qty | Description Comments | Technical Specification |
|------|-------------|-----|--|-------------------------|
| | 72324067 | X | COMPENSATING RING 0,50 MM | |
| | 72324374 | X | COMPENSATING RING 0,80 MM | |
| | 72324201 | X | COMPENSATING RING 1,00 MM | |
| 34 | | | SEE LIGHTS AND HORN | |
| 36 | 72315657 | 3 | HEXAGONAL HEAD BOLT | DIN 933 M8 X 30-8.8A3L |
| | 72325293 | 3 | HEXAGONAL HEAD BOLT FOR DOMED CYLINDER HEAD COVER | M8X30 |
| 37 | 72311788 | 3 | DISC | DIN 125-8,4-ST.A3L |
| 38 | 72323693 | 3 | SEALING WASHER | |
| | 72488855 | 3 | SEALING WASHER FOR DOMED CYLINDER HEAD COVER | |
| 39 | 72324097 | 3 | CYLINDER HEAD COVER FLAT <-- F149.200.210.240 | |
| | 72488845 | 3 | CYLINDER HEAD COVER VAULTED ><36,38,40 | |
| 40 | 72485671 | 3 | SEAL | |
| | 72485671 | 3 | SEAL FOR DOMED CYLINDER HEAD COVER | |

FARMER 260V (206/00001-99999)
32136

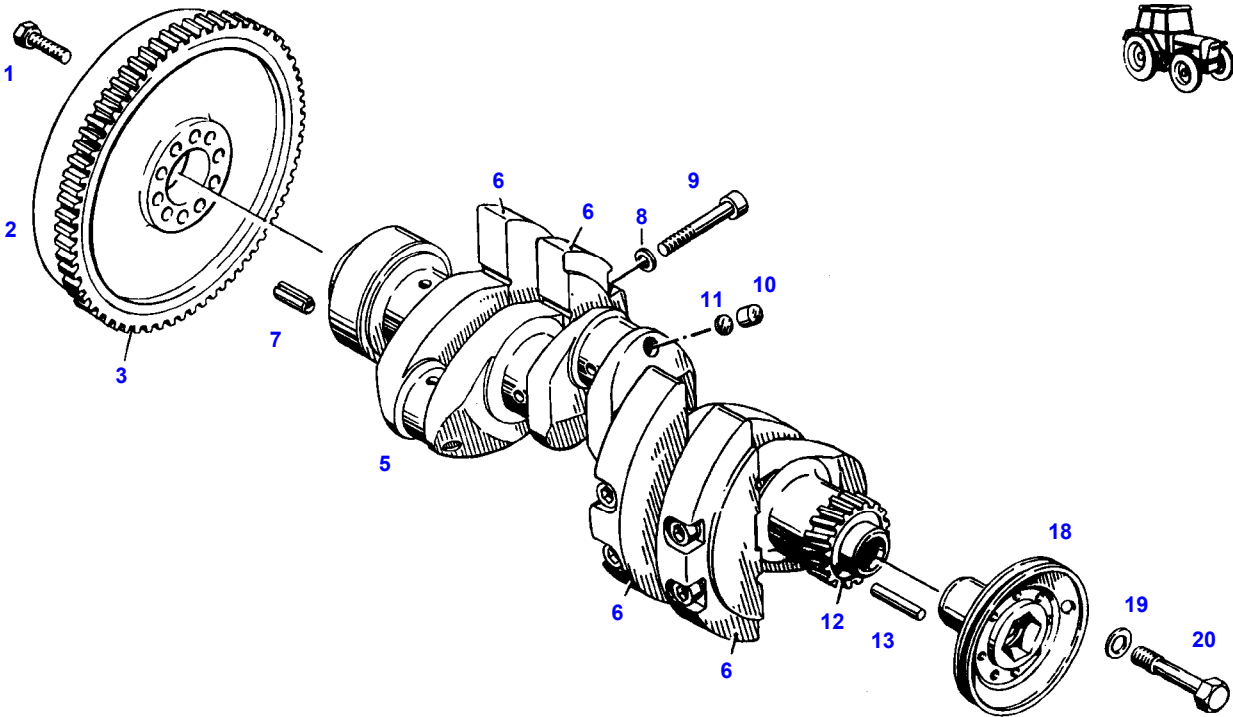


032136

| Item | Part Number | Qty | Description Comments | Technical Specification |
|------|-------------|-----|---|-------------------------|
| | | | <-- 206/8896 --> 206/8896 <-- 206/9043 | |
| 1 | 72474193 | 3 | CYLINDER HEAD ><1-14 <>24 <> | |
| | 72344276 | - | COMPENSATING RING | |
| | 72324496 | - | COMPENSATING RING | |
| | 72344282 | 3 | COMPENSATING RING | |
| | 72344277 | - | COMPENSATING RING | |
| | 72344280 | 3 | COMPENSATING RING | |
| | 72333128 | 3 | COMPENSATING RING | |
| | 72333127 | 3 | COMPENSATING RING | |
| | 72344274 | - | COMPENSATING RING | |
| | 72344275 | 3 | COMPENSATING RING | |
| 2 | 72333119 | 3 | INTAKE VALVE | |
| 3 | 72333118 | 3 | OUTLET VALVE | |
| 4 | 72323897 | 3 | VALVE SEAT RING 40,16 MM | |
| | 72323898 | 3 | VALVE SEAT RING 40,26 MM | |
| | 72323899 | 3 | VALVE SEAT RING 40,36 MM | |
| 5 | 72333122 | 3 | VALVE SEAT RING 45,66 MM | |
| | 72333125 | 3 | VALVE SEAT RING 45,76 MM | |
| | 72333126 | 3 | VALVE SEAT RING 45,86 MM | |
| 6 | 72415971 | 6 | VALVE GUIDE 15,00 MM | |
| | 72415972 | 6 | VALVE GUIDE 15,25 MM | |
| | 72415973 | 6 | VALVE GUIDE 15,50 MM | |
| 7 | 72323676 | 6 | LOCKWASHER | |
| 8 | 72454606 | 6 | DISC | |
| 10 | 72324338 | 6 | COMPRESSION SPRING | |
| 11 | 72324349 | 6 | SPRING RETAINER | |
| 12 | 72333115 | 12 | VALVE SPRING KEY | |
| 13 | 72495168 | 3 | STUD BOLT | |
| 14 | 72418370 | 9 | STUD BOLT | DIN 835-M8 SN4X55-8.8 |
| 18 | 72313268 | 9 | NUT | DIN 934 M8-8A3L |
| 19 | 72373957 | 6 | SCREW | DIN 908-M26X1,5-ST-A3L |
| 22 | 72333416 | 3 | HOLDER | |
| 23 | 72313271 | 3 | NUT | DIN 934 M10-8 |
| 24 | 72344275 | 3 | COMPENSATING RING 1,20 MM | |
| | 72344280 | 3 | COMPENSATING RING 1,45 MM | |
| | 72344282 | 3 | COMPENSATING RING 1,55 MM | |
| | 72333127 | 3 | COMPENSATING RING 1,65 MM | |
| | 72333128 | 3 | COMPENSATING RING 1,90 MM | |
| | 72324496 | X | COMPENSATING RING 1,10 MM | |
| | 72344274 | X | COMPENSATING RING 1,15 MM | |
| | 72344276 | X | COMPENSATING RING 1,25 MM | |
| | 72344277 | X | COMPENSATING RING 1,30 MM | |

| Item | Part Number | Qty | Description Comments | Technical Specification |
|------|-------------|-----|--|-------------------------|
| 25 | 72344278 | X | COMPENSATING RING 1,35 MM | |
| | 72344279 | X | COMPENSATING RING 1,40 MM | |
| | 72344281 | X | COMPENSATING RING 1,50 MM | |
| | 72425125 | X | COMPENSATING RING 1,60 MM | |
| | 72425126 | X | COMPENSATING RING 1,70 MM | |
| | 72425127 | X | COMPENSATING RING 1,75 MM | |
| | 72425128 | X | COMPENSATING RING 1,80 MM | |
| | 72425129 | X | COMPENSATING RING 1,85 MM | |
| | 72425130 | X | COMPENSATING RING 1,95 MM | |
| | 72425131 | X | COMPENSATING RING 2,00 MM | |
| 26 | 72324345 | 12 | MACHINE WASHER | |
| 29 | 72324409 | 12 | SOCKET HEAD BOLT | |
| 30 | 72324477 | 3 | CYLINDER 102,00 MM | |
| 31 | 72323891 | X | COMPENSATING RING 0,20MM | |
| | 72425123 | X | COMPENSATING RING 0,30MM | |
| | 72324067 | X | COMPENSATING RING 0,50 MM | |
| | 72324374 | X | COMPENSATING RING 0,80 MM | |
| | 72324201 | X | COMPENSATING RING 1,00 MM | |
| 34 | | | SEE LIGHTS AND HORN | |
| 36 | 72315657 | 3 | HEXAGONAL HEAD BOLT | DIN 933 M8 X 30-8.8A3L |
| | 72325293 | 3 | HEXAGONAL HEAD BOLT FOR DOMED CYLINDER HEAD COVER | M8X30 |
| 37 | 72311788 | 3 | DISC | DIN 125-8,4-ST.A3L |
| 38 | 72323693 | 3 | SEALING WASHER | |
| | 72488855 | 3 | SEALING WASHER FOR DOMED CYLINDER HEAD COVER | |
| 39 | 72324097 | 3 | CYLINDER HEAD COVER FLAT <-- F149.200.210.240 | |
| | 72488845 | 3 | CYLINDER HEAD COVER VAULTED ><36,38,40 | |
| 40 | 72485671 | 3 | SEAL | |
| | 72485671 | 3 | SEAL FOR DOMED CYLINDER HEAD COVER | |

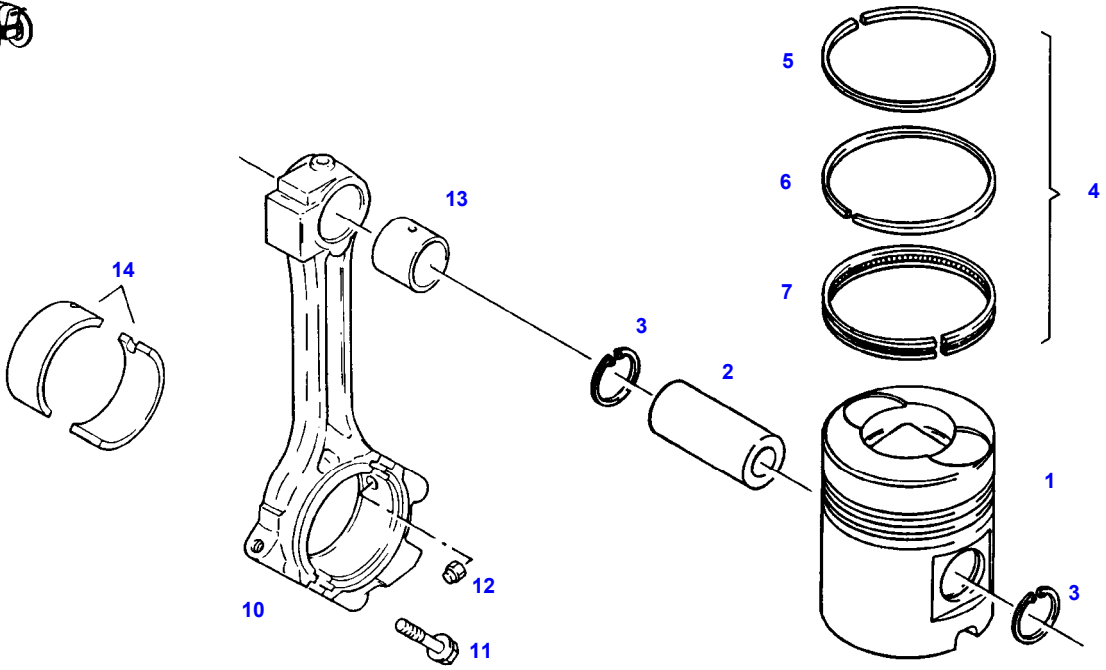
FARMER 260V (206/00001-99999)
5454



5454

| Item | Part Number | Qty | Description Comments | Technical Specification |
|------|-------------|-----|--|--------------------------|
| 1 | 72374803 | 10 | HEXAGONAL HEAD BOLT --> 206/2792 | DIN 961 M10X1X45-10.9A4C |
| | 72374802 | 10 | HEXAGONAL HEAD BOLT <-- 206/2793 | DIN 961 M10X1X35-10.9A4C |
| 2 | 72358101 | 1 | FLYWHEEL ><3 --> 206/0875 | |
| | 72358474 | 1 | FLYWHEEL ><3 <-- 206/0876 --> 206/2792 | |
| | 72358475 | 1 | FLYWHEEL ><3 <-- 206/2793 | |
| 3 | 72323784 | 1 | RING GEAR | |
| 5 | 72324425 | 1 | CRANKSHAFT ><6-13 --> 206/8895 <-- 206/8897 --> 206/9042 | |
| | 72431471 | 1 | CRANKSHAFT ><7,12,13 <-- 206/8896 --> 206/8896 <-- 206/9043 | |
| 6 | 72323979 | 4 | COUNTER-BALANCE WEIGHT --> 206/8895 <-- 206/8897 --> 206/9042 | |
| 7 | 72375160 | 1 | TENSIONING PIN | ISO8752-8X18-A-ST |
| 8 | 72323684 | 8 | DISC --> 206/8895 <-- 206/8897 --> 206/9042 | |
| 9 | 72315513 | 8 | SOCKET HEAD BOLT --> 206/8895 <-- 206/8897 --> 206/9042 | DIN 912 M12X60-10.9 |
| 10 | 72323592 | 3 | PLUG --> 206/8895 <-- 206/8897 --> 206/9042 | |
| 11 | 72323572 | 3 | DISC | |
| 12 | 72324149 | 1 | GEAR WHEEL --> 206/3314 | |
| | 72324150 | 1 | GEAR WHEEL <-- 206/3315 | |
| 13 | 72372685 | 1 | DOWEL PIN | |
| 18 | 72324426 | 1 | V BELT SHEAVE | |
| 19 | 72323687 | 1 | DISC | |
| 20 | 72323571 | 1 | WAISTED SHANK BOLT --> 206/3314 | |
| | 72344359 | 1 | WAISTED SHANK BOLT <-- 206/3315 | |

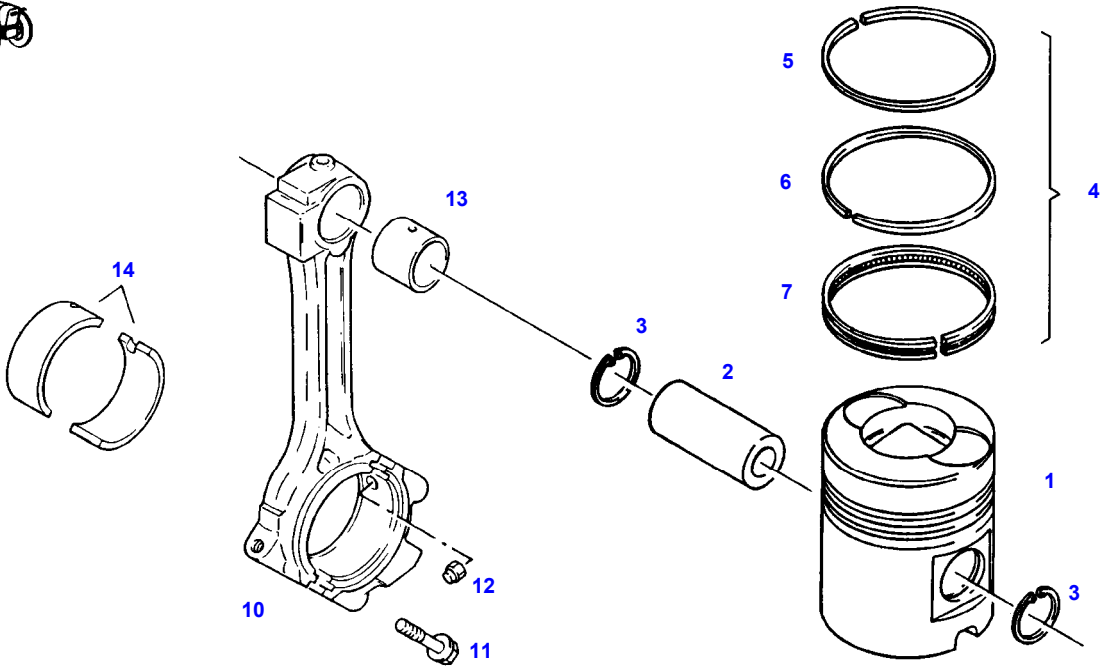
FARMER 260V (206/00001-99999)
5457



5457

| Item | Part Number | Qty | Description Comments | Technical Specification |
|------|-------------|-----|--|-------------------------|
| | | | --> 206/7000 | |
| 1 | 72324501 | 3 | PISTON 102 MM ><2-7 PISTON HEIGHT 113 MM | |
| | 72333417 | 3 | PISTON 102 MM ><2-7 PISTON HEIGHT 105 MM | |
| | 72324442 | 3 | PISTON 102,50 MM ><2-7 | |
| 2 | | | NO SPARE PART | |
| 3 | 72311094 | 6 | LOCK WASHER | DIN 472-35X1,5 |
| 4 | 72324416 | 3 | PISTON RING KIT ><5-7 PISTON HEIGHT 113 MM | |
| | 72333418 | 3 | PISTON RING KIT PISTON HEIGHT 105 MM | |
| 5 | | | NOT AVAILABLE IN SINGLE PARTS | |
| 6 | | | NOT AVAILABLE IN SINGLE PARTS | |
| 7 | | | NOT AVAILABLE IN SINGLE PARTS | |
| 10 | 72478326 | 3 | PISTON ROD ><11-13 | |
| 11 | 72324484 | 6 | HEXAGONAL HEAD BOLT L=65,00 MM | |
| | 72426149 | 6 | HEXAGONAL HEAD BOLT L=62,50 MM | |
| 12 | 72323845 | 3 | FIXING PIN | |
| 13 | 72324343 | 3 | PISTON BUSH | |
| 14 | 72415974 | 3 | CONNECTING ROD BEARING 60,00 MM | |
| | 72415977 | 3 | CONNECTING ROD BEARING 59,75 MM | |
| | 72415978 | 3 | CONNECTING ROD BEARING 59,50 MM | |
| | 72323927 | 3 | CONNECTING ROD BEARING FOR STEEL CRANKSHAFT 59,25 MM | |

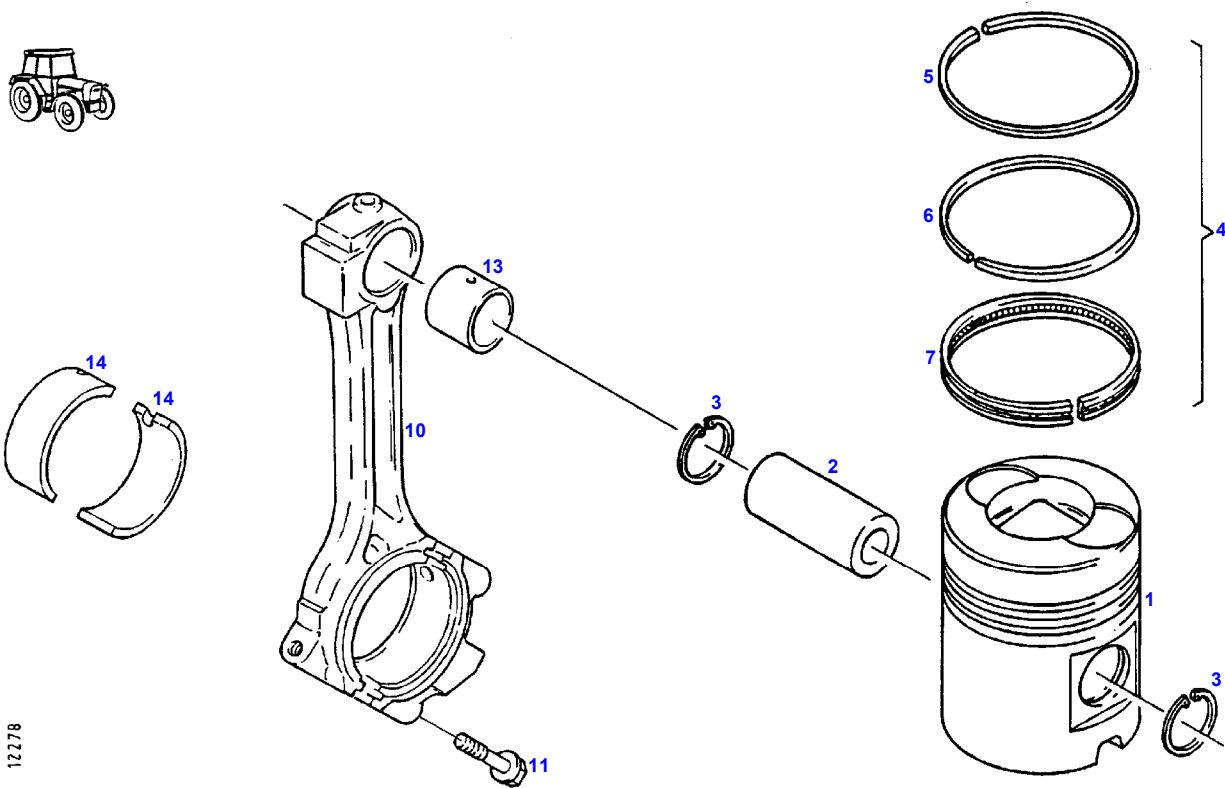
FARMER 260V (206/00001-99999)
5457



5457

| Item | Part Number | Qty | Description Comments | Technical Specification |
|------|-------------|-----|--|-------------------------|
| | | | <-- 206/7001 --> 206/8895 <-- 206/8897 --> 206/9042 | |
| 1 | 72343231 | 3 | PISTON 102 MM ><2-7 | |
| 2 | | | NO SPARE PART | |
| 3 | 72311094 | 6 | LOCK WASHER | DIN 472-35X1,5 |
| 4 | 72343232 | 3 | PISTON RING KIT ><5-7 | |
| 5 | | | NOT AVAILABLE IN SINGLE PARTS | |
| 6 | | | NOT AVAILABLE IN SINGLE PARTS | |
| 7 | | | NOT AVAILABLE IN SINGLE PARTS | |
| 10 | 72478326 | 3 | PISTON ROD ><11-13 | |
| 11 | 72324484 | 6 | HEXAGONAL HEAD BOLT L=65,00 MM | |
| | 72426149 | 6 | HEXAGONAL HEAD BOLT L=62,50 MM | |
| 12 | 72323845 | 3 | FIXING PIN | |
| 13 | 72324343 | 3 | PISTON BUSH | |
| 14 | 72415974 | 3 | CONNECTING ROD BEARING 60,00 MM | |
| | 72415977 | 3 | CONNECTING ROD BEARING 59,75 MM | |
| | 72415978 | 3 | CONNECTING ROD BEARING 59,50 MM | |
| | 72323927 | 3 | CONNECTING ROD BEARING FOR STEEL CRANKSHAFT 59,25 MM | |

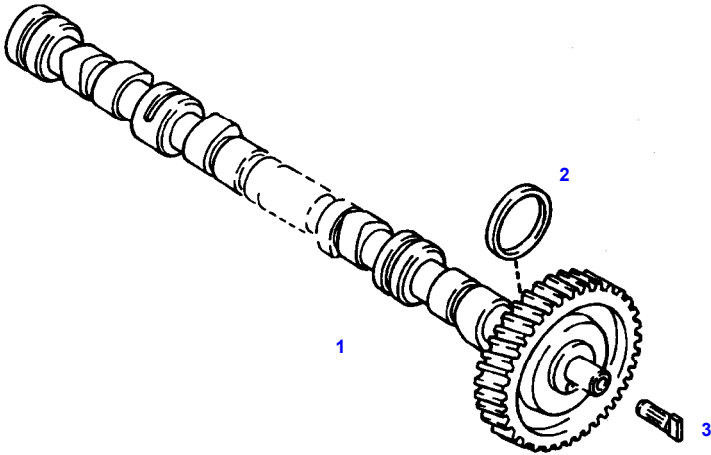
FARMER 260V (206/00001-99999)
12278



12278

| Item | Part Number | Qty | Description Comments | Technical Specification |
|------|-------------|-----|---|-------------------------|
| | | | <-- 206/8896 --> 206/8896 <-- 206/9043 | |
| 1 | 72343231 | 3 | PISTON 102 MM ><2-7 | |
| 2 | | | NO SPARE PART | |
| 3 | 72311094 | 6 | LOCK WASHER | DIN 472-35X1,5 |
| 4 | 72343232 | 3 | PISTON RING KIT ><5-7 | |
| 5 | | | NOT AVAILABLE IN SINGLE PARTS | |
| 6 | | | NOT AVAILABLE IN SINGLE PARTS | |
| 7 | | | NOT AVAILABLE IN SINGLE PARTS | |
| 10 | 72611101 | 3 | PISTON ROD ><11-13 | |
| 11 | 72324484 | 6 | HEXAGONAL HEAD BOLT L=65MM | |
| | 72426149 | 6 | HEXAGONAL HEAD BOLT L=62,5MM | |
| 13 | 72324343 | 3 | PISTON BUSH | |
| 14 | 72415974 | 3 | CONNECTING ROD BEARING 60,00 MM | |
| | 72415977 | 3 | CONNECTING ROD BEARING 59,75 MM | |
| | 72415978 | 3 | CONNECTING ROD BEARING 59,50 MM | |

FARMER 260V (206/00001-99999)
5461



5461

Fendt

FARMER 260V (206/00001-99999)

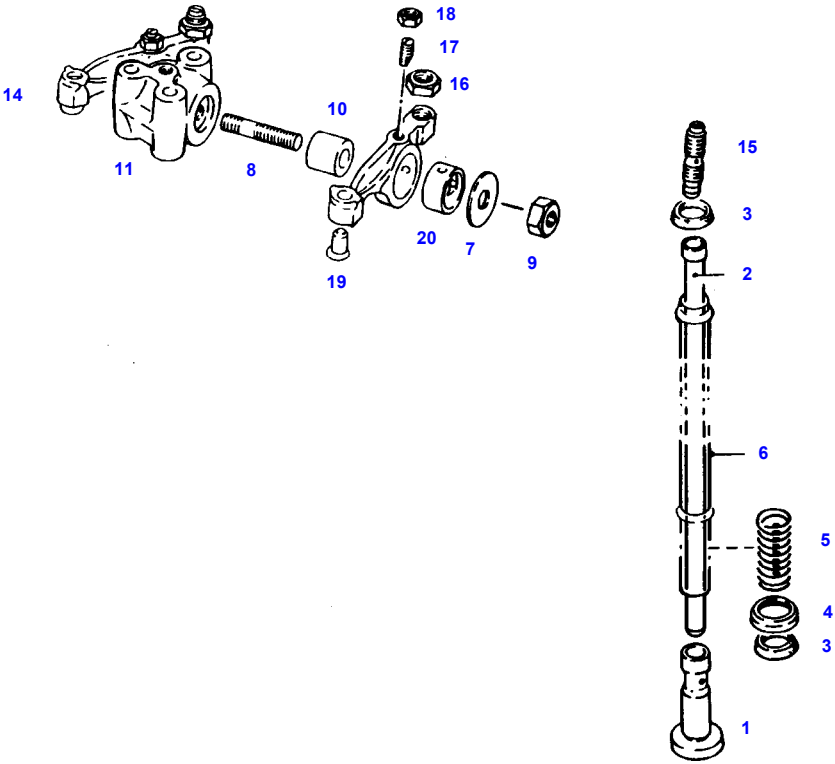
F206000

CAMSHAFT

Page01-0036

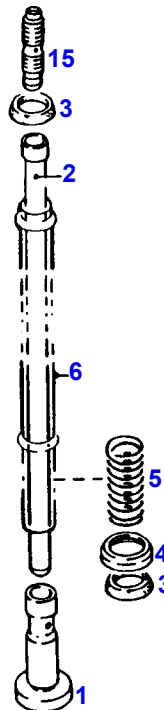
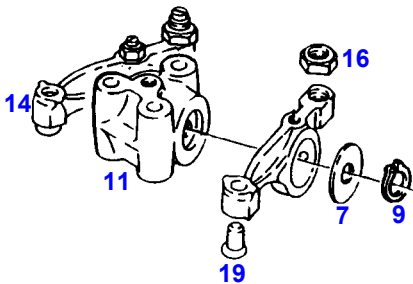
| Item | Part Number | Qty | Description Comments |
|------|-------------|-----|--------------------------|
| 1 | 72323742 | 1 | CAMSHAFT --> 206/7000 |
| | 72333133 | 1 | CAMSHAFT <-- 206/7001 |
| 2 | 72324337 | 1 | DISC |
| 3 | | | SEE TRACTOMETER SYSTEM |

FARMER 260V (206/00001-99999)
5463



5463

| Item | Part Number | Qty | Description Comments | Technical Specification |
|------|-------------|-----|-------------------------|-------------------------|
| | | | --> 206/3314 | |
| 1 | 72324362 | 6 | VALVE TAPPET | |
| 2 | 72324428 | 6 | BUMPER | |
| 3 | 72324064 | 12 | SEALING WASHER | |
| 4 | 72324363 | 6 | CAP | |
| 5 | 72324360 | 6 | COIL SPRING | |
| 6 | 72324364 | 6 | SHIELD PIPE | |
| 7 | 72323681 | 6 | DISC | |
| 8 | 72313777 | 6 | STUD BOLT | DIN 939 M10X35-8.8 |
| 9 | 72313272 | 6 | NUT | DIN 934 M10-8A3L |
| 10 | 72324161 | 6 | BUSH | |
| 11 | 72324359 | 3 | ROCKER ARM SUPPORT | |
| 14 | 72324142 | 6 | ROCKER ARM ><15-20 | |
| 15 | 72324333 | 6 | ADJUSTING SCREW | |
| 16 | 72372876 | 6 | NUT | DIN 936 M10X1-17H |
| 17 | 72324355 | 6 | OIL NOZZLE | |
| 18 | 72313266 | 6 | NUT | DIN 934 M6-8A3L |
| 19 | 72324137 | 6 | CLEVIS PIN | |
| 20 | 72324160 | 6 | BUSH | |



10068

| Item | Part Number | Qty | Description Comments | Technical Specification |
|------|-------------|-----|---------------------------|-------------------------|
| | | | <-- 206/3315 | |
| 1 | 72324362 | 6 | VALVE TAPPET | |
| 2 | 72324428 | 6 | BUMPER | |
| 3 | 72324064 | 12 | SEALING WASHER | |
| 4 | 72324363 | 6 | CAP | |
| 5 | 72324360 | 6 | COIL SPRING | |
| 6 | 72324364 | 6 | SHIELD PIPE | |
| 7 | 72344293 | 6 | DISC | |
| 9 | 72375564 | 6 | LOCK WASHER | DIN 471-21X1,2 |
| 11 | 72415982 | 3 | ROCKER ARM SUPPORT | |
| 14 | 72333469 | 6 | ROCKER ARM ><14-20 | |
| 15 | 72324333 | 6 | ADJUSTING SCREW | |
| 16 | 72372876 | 6 | NUT | DIN 936 M10X1-17H |
| | | | --> 206/8895 | |
| | | | <-- 206/8897 --> 206/9042 | |
| | 72325438 | 6 | NUT | |
| | | | <-- 206/8896 --> 206/8896 | |
| | | | <-- 206/9043 | |
| 19 | 72324137 | 6 | CLEVIS PIN | |



Suggest:

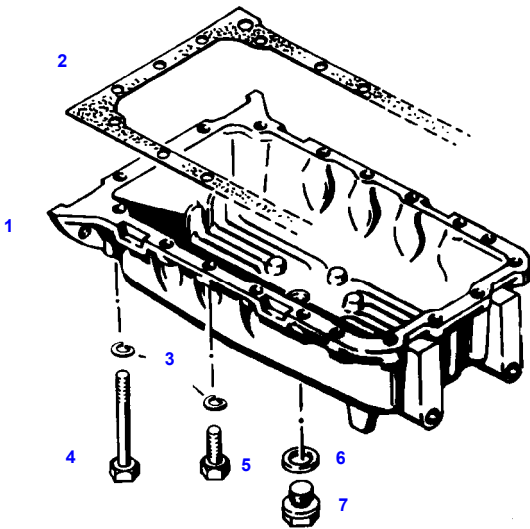
For more complete manuals. Please go to the home page.

<https://www.ebooklibonline.com>

If the above button click is invalid. Please download this document first, and then click the above link to download the complete manual.

Thank you so much for reading

FARMER 260V (206/00001-99999)
5452



5452

| Item | Part Number | Qty | Description Comments | Technical Specification |
|-------------|--------------------|------------|---------------------------------|--------------------------------|
| 1 | 72324475 | 1 | OIL PAN | |
| 2 | 72324309 | 1 | SEAL | |
| 3 | 72311788 | 19 | DISC | DIN 125-8,4-ST.A3L |
| 4 | 72374149 | 3 | HEXAGONAL HEAD BOLT | DIN 931 M8X110-8.8 |
| 5 | 72315653 | 16 | HEXAGONAL HEAD BOLT | DIN 933 M8 X 25-8.8A3L |
| 6 | 72315105 | 1 | SEALING WASHER | DIN 7603 A30X36-CU |
| 7 | 72374943 | 1 | SCREW | DIN 7604 CM30X1,5-ST |

<https://www.ebooklibonline.com>

Hello dear friend!

Thank you very much for reading.

Enter the link into your browser.

The full manual is available for immediate download.

<https://www.ebooklibonline.com>