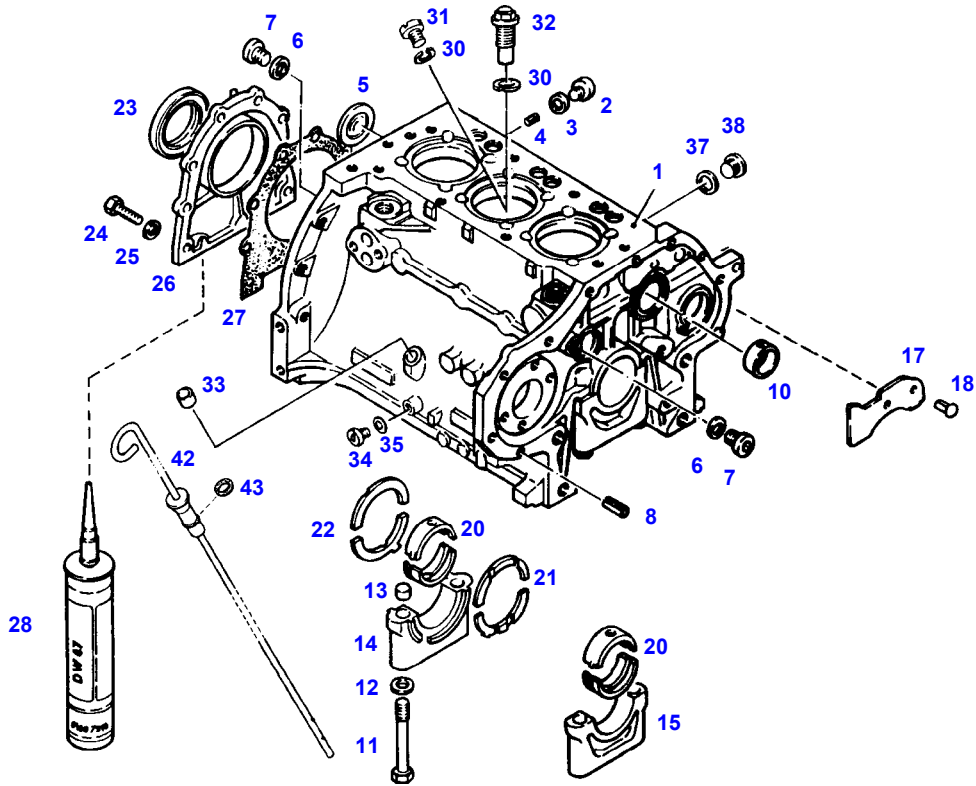


TABLE OF CONTENT

Page Number	Page Title	Page Reference
01-000-TOC	ENGINE, FUEL AND EXHAUST SYSTEM	01-000-TOC
02-000-TOC	AXLES	02-000-TOC
03-000-TOC	STEERING SYSTEM	03-000-TOC
04-000-TOC	DRIVE TRAIN SYSTEM	04-000-TOC
05-000-TOC	COMPRESSED AIR SYSTEM	05-000-TOC
06-000-TOC	HYDRAULIC SYSTEM	06-000-TOC
07-000-TOC	ELECTRICAL SYSTEM	07-000-TOC
08-000-TOC	CAB	08-000-TOC
09-000-TOC	AIR CONDITIONING AND HEATING SYSTEM	09-000-TOC
10-000-TOC	CHASSIS	10-000-TOC
11-000-TOC	WHEELS	11-000-TOC
12-000-TOC	IMPLEMENT LIFT SYSTEM FRONT	12-000-TOC
13-000-TOC	IMPLEMENT LIFT SYSTEM REAR	13-000-TOC
14-000-TOC	FRONT/REAR LOADERS	14-000-TOC
15-000-TOC	ATTACHMENTS	15-000-TOC
16-000-TOC	ACCESSORIES	16-000-TOC

FARMER 260S (296/00001-99999)
5443



5443

Item	Part Number	Qty	Description Comments	Technical Specification
			<-- 296/2789	
	72438557	1	DIESEL ENGINE <-- 296/2789 --> 296/7002	
	72436663	1	DIESEL ENGINE <-- 296/7003	
1	72333413	1	CRANKCASE ><1-15	
	72427478	1	SEAL KIT --> 296/7635	
	72427478	1	SEAL KIT <-- 296/7636	
2	72427167	3	SCREW	DIN 908 M12 X 1,5-ST-A3
3	72315090	3	SEALING WASHER	DIN 7603 A12X15,5-CU
4	72323675	4	SLOTTED PLUG	
5	72323690	1	LOCKING DISC	
6	72376031	2	SEALING WASHER	DIN 7603 A20X24-CU
7	72323672	2	SCREW	
8	72323573	2	TENSIONER BUSHING	
10	72344344	1	BUSH	
11	72344343	8	HEXAGONAL HEAD BOLT	
12	72323682	8	DISC	
13	72344342	8	ADAPTER BUSH	
14			NOT USED	
15			NOT USED	
17	72344345	1	BAFFLE	
18	72372707	2	SLOTTED PIN	DIN 1476-6X10-ST
20	72324293	4	CRANKSHAFT BEARING 70,00 MM	
	72415975	4	CRANKSHAFT BEARING 69,75 MM	
	72415976	4	CRANKSHAFT BEARING 69,50 MM	
21	72323983	1	THRUST RING 3,00 MM --> 296/7635	
	72323984	1	THRUST RING FOR STEEL CRANKSHAFT 3,25 MM --> 296/7635	
	72425121	1	THRUST RING FOR CAST STEEL CRANKSHAFT 3,14 MM --> 296/7635	
	72323985	1	THRUST RING FOR STEEL CRANKSHAFT 3,50 MM --> 296/7635	
	72317654	1	THRUST RING 2,94 MM <-- 296/7636	
	72425121	1	THRUST RING FOR CAST STEEL CRANKSHAFT 3,14 MM <-- 296/7636	
22	72425118	1	THRUST RING 2,94 MM	
	72323990	1	THRUST RING FOR STEEL CRANKSHAFT 3,25 MM --> 296/7635	

<https://www.ebooklibonline.com>

Hello dear friend!

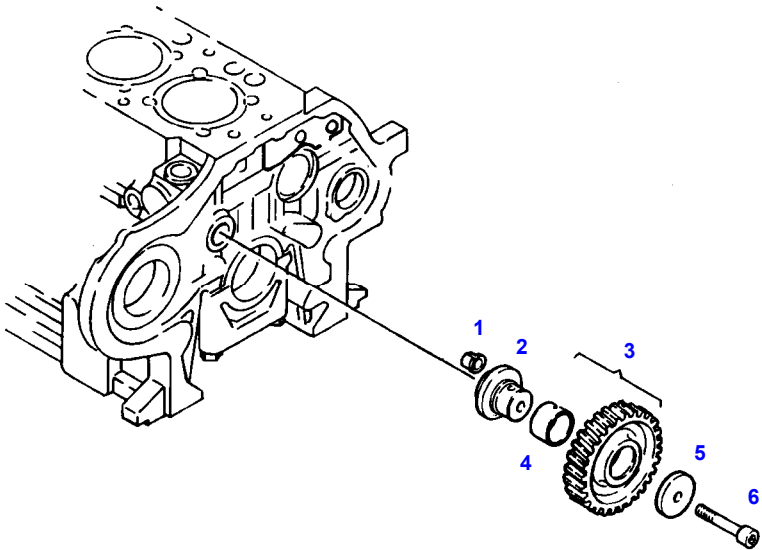
Thank you very much for reading.

Enter the link into your browser.

The full manual is available for immediate download.

<https://www.ebooklibonline.com>

Item	Part Number	Qty	Description Comments	Technical Specification
	72323991	1	THRUST RING FOR STEEL CRANKSHAFT 3,50 MM --> 296/7635	
	72496405	1	THRUST RING FOR CAST STEEL CRANKSHAFT 3,14 MM <-- 296/7636	3,14MM
23	72425119	1	SHAFT SEAL	
24	72315650	8	HEXAGONAL HEAD BOLT	DIN 933 M8 X 20-8.8A3L
25	72311788	8	DISC	DIN 125-8,4-ST.A3L
26	72324099	1	COVER	
27	72324291	1	SEAL /28	
28	72311273	1	SEALING COMPOUND /27	TEROST-63S
30	72315063	3	SPLIT WASHER	FWN65237-8-A3L
31			NOT USED	
32	72420361	3	SPRAY NOZZLE	
33	72323574	1	TENSIONER BUSHING	
34	72374942	1	PLUG	DIN 7604 CM10X1-ST
35	72315088	1	SEALING WASHER	DIN 7603 A10X13,5-CU
37	72315090	1	SEALING WASHER	DIN 7603 A12X15,5-CU
38	72427167	1	SCREW	DIN 908 M12 X 1,5-ST-A3
42	72323654	1	OIL LEVEL DIPSTICK ><42+43	
43	72323631	1	SEAL	



5444

Fendt

FARMER 260S (296/00001-99999)

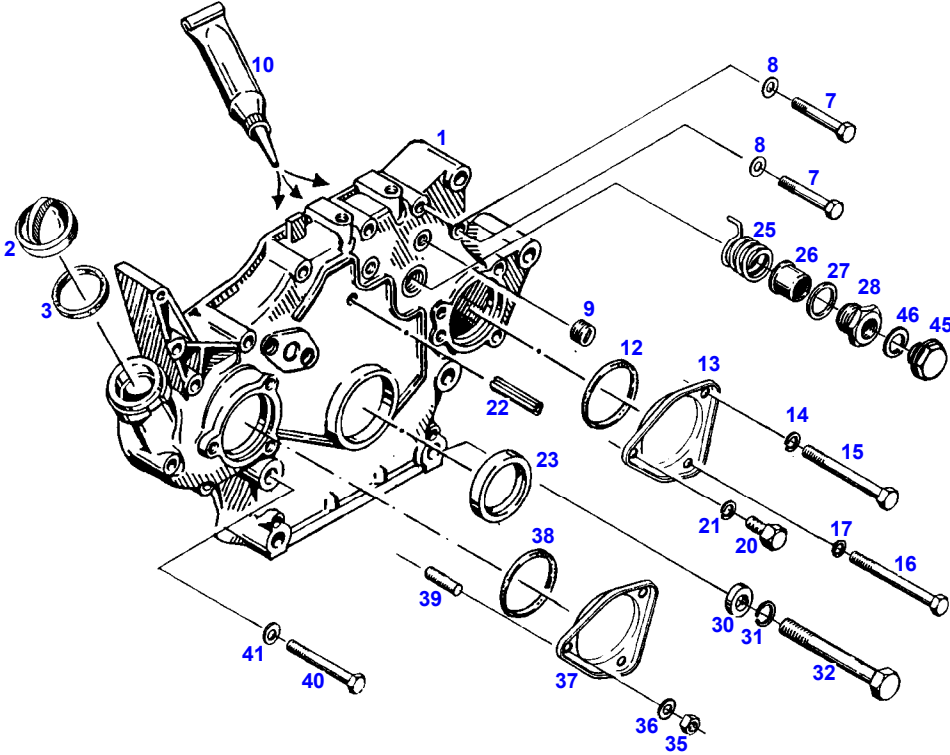
F296000

INTERM. GEAR WHEEL

Page01-0027

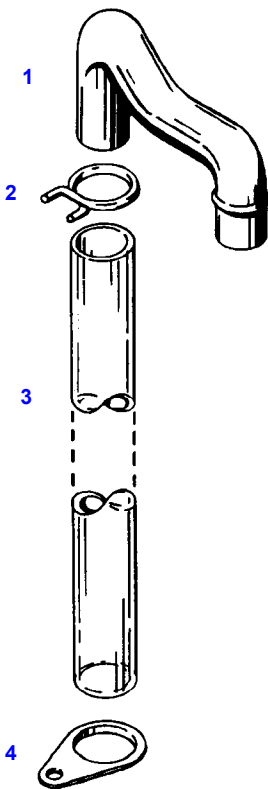
Item	Part Number	Qty	Description Comments
1	72344346	1	TENSIONER BUSHING
2	72344347	1	PIVOT
3	72324444	1	INTERMEDIATE GEAR ><3+4
4	72324307	1	BUSH
5	72324457	1	DISC
6	72324090	1	SOCKET HEAD BOLT

FARMER 260S (296/00001-99999)
10067



10067

Item	Part Number	Qty	Description Comments	Technical Specification
1	72323843	1	COVER	
2	72323709	1	COVER ><2+3	
3	72323708	1	SEALING WASHER	
7	72315534	2	HEXAGONAL HEAD BOLT	DIN 931 M8 X 70-8.8
8	72311788	2	DISC	DIN 125-8,4-ST.A3L
9	72323556	1	SLOTTED PLUG	
10	72311273	1	SEALING COMPOUND	TEROST-63S
12	72323566	1	PERMANENT REINFORCEMENT	
13	72324418	1	COVER	
	72400932	1	COVER AIR SUPPLY EQUIPEMENT/AIR CONDITION AIR SUPPLY EQUIPMENT WITH ARI CONDITION	
14	72315054	1	SPLIT WASHER	FWN 65208-10-A3L
15	72374183	1	HEXAGONAL HEAD BOLT	DIN 931 M10X75-8.8
16	72315537	1	HEXAGONAL HEAD BOLT	DIN 931 M8X85-8.8A3L
17	72311788	1	DISC	DIN 125-8,4-ST.A3L
20	72374417	1	HEXAGONAL HEAD BOLT	DIN 933 M8X8-8.8
21	72315053	1	SPLIT WASHER	FWN 65208-8-A3L
22	72375153	1	TENSIONING PIN	ISO8752-6X45-A-ST-ZNPHR10F-KOE
23	72317651	1	SHAFT SEAL	
25	72324159	1	COMPRESSION SPRING	
26	72323827	1	START-UP CAP	
27	72376036	1	SEALING WASHER	DIN7603 A24X30-ALU
28	72324020	1	SCREW	
30	72311805	16	DISC	DIN 433-15-ST.A3L
31	72315056	4	SPLIT WASHER	FWN 65208-14-A3L
32	72374266	4	HEXAGONAL HEAD BOLT	DIN 931 M14X100-8.8
35	72313268	3	NUT	DIN 934 M8-8A3L
36	72323688	3	RING	
37	72324418	1	COVER	
38	72323566	1	PERMANENT REINFORCEMENT	
39	72373897	3	STUD BOLT --> 296/7000	DIN 835 M8X18-A4C
	72373899	3	STUD BOLT <-- 296/7001	DIN 835 M8X20-A4C
40	72606335	1	HEXAGONAL HEAD BOLT	M8X60
41	72311788	1	DISC	DIN 125-8,4-ST.A3L
45	72315801	1	SCREW <-- 296/2789	DIN 7604-AM18 X 1,5-ST A3L
46	72315099	1	SEALING WASHER <-- 296/2789	DIN 7603 A18X22-CU



5445

Fendt

FARMER 260S (296/00001-99999)

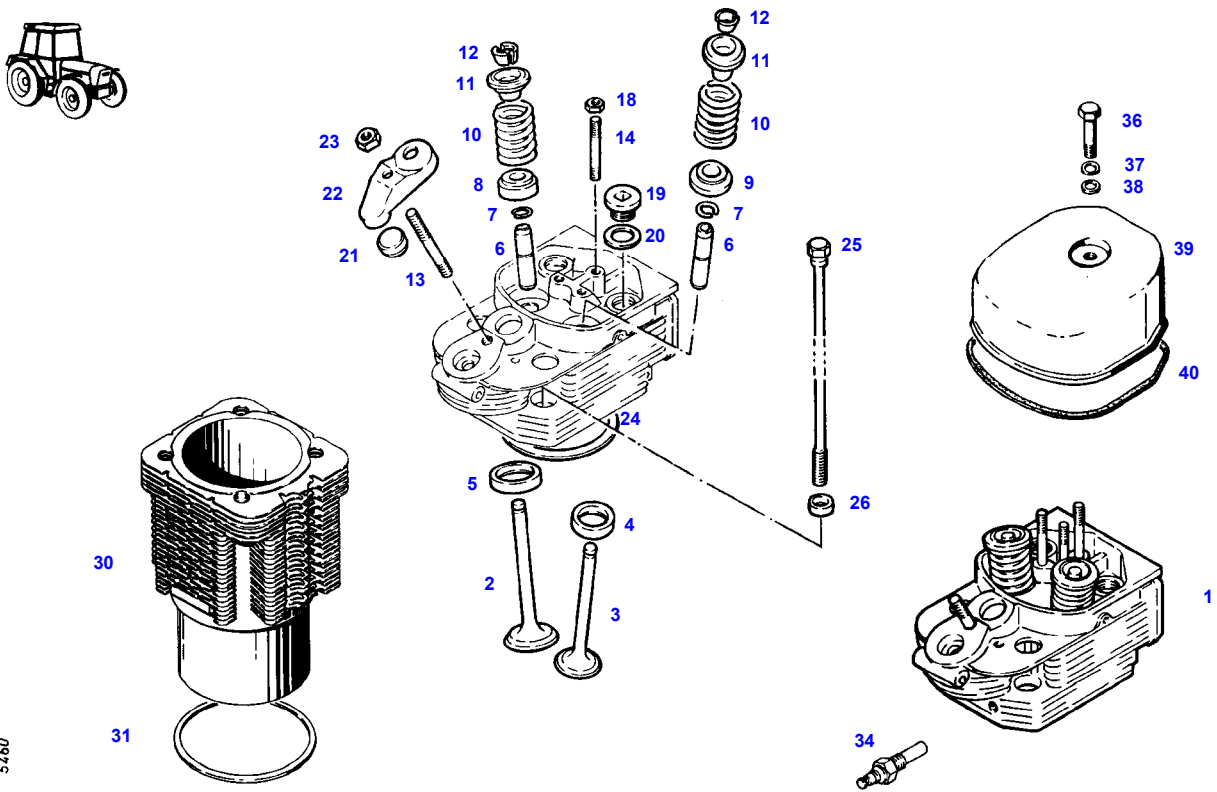
F296000

BREATHER PIPE

Page01-0029

Item	Part Number	Qty	Description Comments
1	72323767	1	PIPE
2	72323550	1	CLAMP
3	72323735	1	HOSE
4	72323745	1	RETAINING SHEET METAL

FARMER 260S (296/00001-99999)
5460



Item	Part Number	Qty	Description Comments	Technical Specification
			--> 296/7001	
1	72324423	3	CYLINDER HEAD ><1-14 <>24 --> 296/2788 <>	
	72344279	3	COMPENSATING RING	
	72324496	3	COMPENSATING RING	
	72344278	3	COMPENSATING RING	
	72344281	3	COMPENSATING RING	
	72344275	3	COMPENSATING RING	
	72344276	3	COMPENSATING RING	
	72344282	3	COMPENSATING RING	
	72344280	3	COMPENSATING RING	
	72344277	3	COMPENSATING RING	
	72344274	3	COMPENSATING RING	
	72333466	3	CYLINDER HEAD ><1-14 <>24 <-- 296/2789 <>	
	72344279	3	COMPENSATING RING	
	72324496	3	COMPENSATING RING	
	72344276	3	COMPENSATING RING	
	72344277	3	COMPENSATING RING	
	72344282	3	COMPENSATING RING	
	72344278	3	COMPENSATING RING	
	72344275	3	COMPENSATING RING	
	72344280	3	COMPENSATING RING	
	72344281	3	COMPENSATING RING	
	72344274	3	COMPENSATING RING	
2	72324437	3	INTAKE VALVE --> 296/2788 <>	
	72333115	2	VALVE SPRING KEY	
	72323888	1	SPRING RETAINER	
	72324437	3	INTAKE VALVE <-- 296/2789	
3	72425071	3	OUTLET VALVE --> 296/2788 <>	
	72323888	1	SPRING RETAINER	
	72333115	2	VALVE SPRING KEY	
	72425071	3	OUTLET VALVE <-- 296/2789	
4	72323897	3	VALVE SEAT RING 40,16 MM	
	72323898	3	VALVE SEAT RING 40,26 MM	
	72323899	3	VALVE SEAT RING 40,36 MM	
5	72323894	3	VALVE SEAT RING 45,66 MM	
	72323895	3	VALVE SEAT RING 45,76 MM	
	72323896	3	VALVE SEAT RING 45,85 MM	
6	72324060	6	VALVE GUIDE 15,00 MM	
	72324070	6	VALVE GUIDE 15,25 MM	
	72324071	6	VALVE GUIDE 15,50 MM	
7	72323676	6	LOCKWASHER	

Item	Part Number	Qty	Description Comments	Technical Specification
8	72323783	3	VALVE TURN. DEV. --> 296/2788	
9	72323888	3	SPRING RETAINER	
10	72324338	6	COMPRESSION SPRING	
11	72324349	6	SPRING RETAINER	
12	72323582	12	TAPER PIECE HALF	
	72333115	12	VALVE SPRING KEY THREE GROOVE	
13	72373929	3	STUD BOLT	DIN 835 M10X70-8.8
14	72418370	9	STUD BOLT	DIN 835-M8 SN4X55-8.8
18	72313268	9	NUT	DIN 934 M8-8A3L
19	72373957	6	SCREW --> 296/2788	DIN 908-M26X1,5-ST-A3L
	72373957	6	SCREW <-- 296/2789	DIN 908-M26X1,5-ST-A3L
20	72315104	6	SEALING WASHER --> 296/2788	DIN 7603 A26X31-CU
21	72323919	3	DISC	
22	72323921	3	HOLDER	
23	72313272	3	NUT	DIN 934 M10-8A3L
24	72324496	3	COMPENSATING RING 1,10 MM	
	72344274	3	COMPENSATING RING 1,15 MM	
	72344275	3	COMPENSATING RING 1,20 MM	
	72344276	3	COMPENSATING RING 1,25 MM	
	72344277	3	COMPENSATING RING 1,30 MM	
	72344278	3	COMPENSATING RING 1,35 MM	
	72344279	3	COMPENSATING RING 1,40 MM	
	72344280	3	COMPENSATING RING 1,45 MM	
	72344281	3	COMPENSATING RING 1,50 MM	
	72344282	3	COMPENSATING RING 1,55 MM	
25	72324409	12	SOCKET HEAD BOLT	
26	72324345	12	MACHINE WASHER	
30	72324477	3	CYLINDER 102,00 MM	
31	72323891	X	COMPENSATING RING 0,20 MM	
	72324067	X	COMPENSATING RING 0,50 MM	
	72324374	X	COMPENSATING RING 0,80 MM	
	72324201	X	COMPENSATING RING 1,00 MM	
34			SEE LIGHTS AND HORN	
36	72315657	3	HEXAGONAL HEAD BOLT	DIN 933 M8 X 30-8.8A3L
	72325293	3	HEXAGONAL HEAD BOLT FOR DOMED CYLINDER HEAD COVER	M8X30
37	72311788	3	DISC	DIN 125-8,4-ST.A3L
38	72323693	3	SEALING WASHER	
	72488855	3	SEALING WASHER FOR DOMED CYLINDER HEAD COVER	
39	72324097	3	CYLINDER HEAD COVER FLAT <-- F149.200.210.240	

Fendt

FARMER 260S (296/00001-99999)

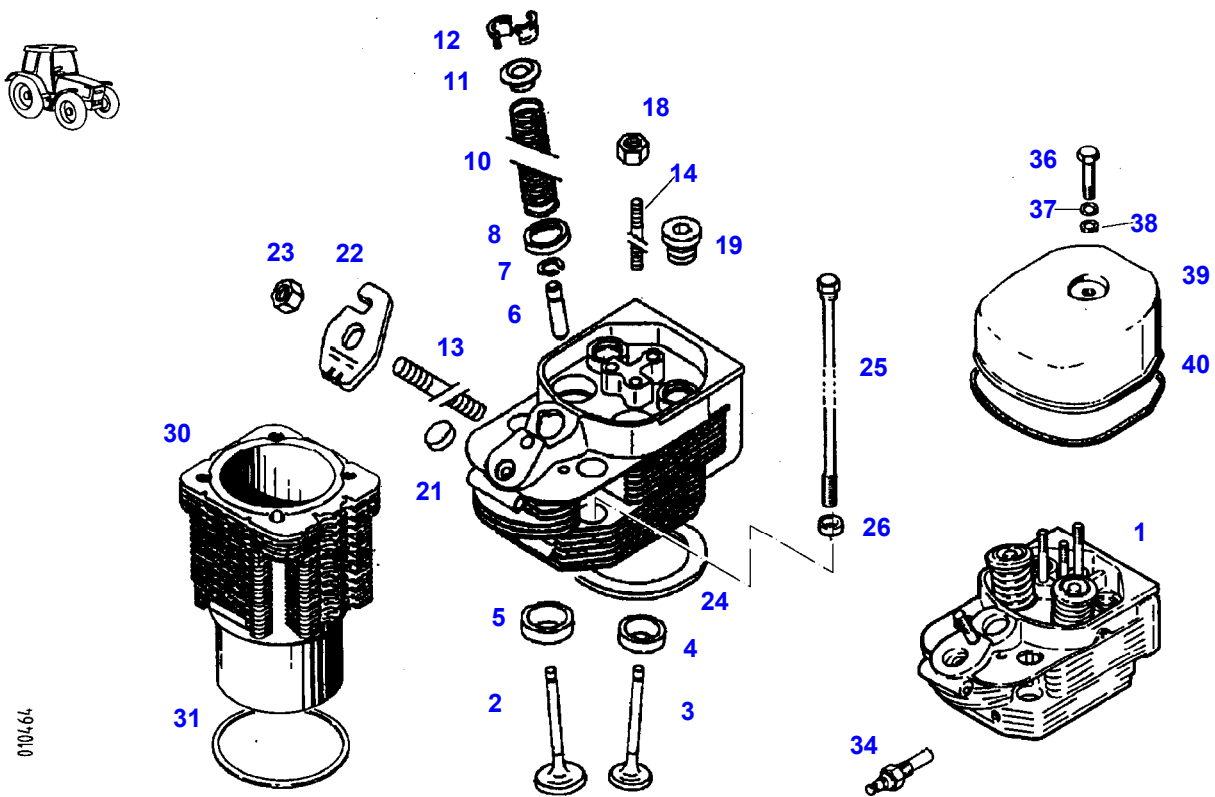
F296000

CYLINDER

Page01-0030

Item	Part Number	Qty	Description Comments	Technical Specification
	72488845	3	CYLINDER HEAD COVER VAULTED ><36,38,40	
40	72485671	3	SEAL	
	72485671	3	SEAL FOR DOMED CYLINDER HEAD COVER	

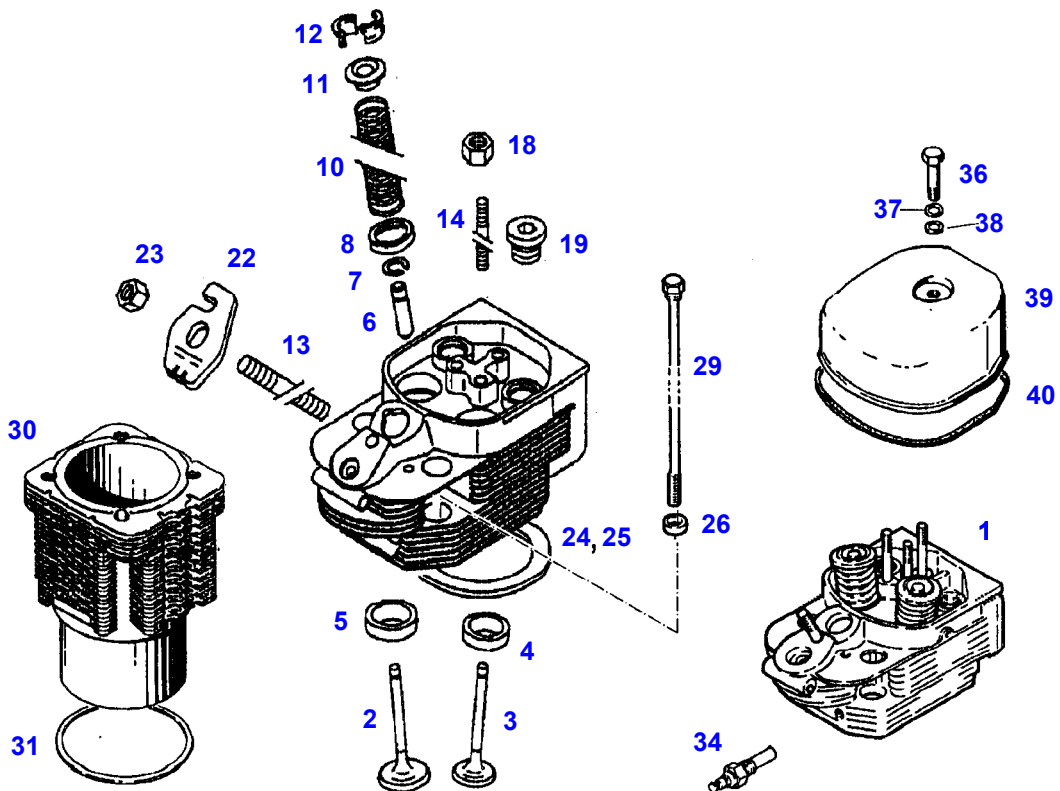
FARMER 260S (296/00001-99999)
10464



Item	Part Number	Qty	Description Comments	Technical Specification
			<-- 296/7002 --> 296/7635	
1	72474193	3	CYLINDER HEAD ><1-14 <>24 <>	
	72333127	3	COMPENSATING RING	
	72344280	3	COMPENSATING RING	
	72333128	3	COMPENSATING RING	
	72344275	3	COMPENSATING RING	
	72344282	3	COMPENSATING RING	
2	72333119	3	INTAKE VALVE	
3	72333118	3	OUTLET VALVE	
4	72323897	3	VALVE SEAT RING 40,16 MM	
	72323898	3	VALVE SEAT RING 40,26 MM	
	72323899	3	VALVE SEAT RING 40,36 MM	
5	72333122	3	VALVE SEAT RING 45,66 MM	
	72333125	3	VALVE SEAT RING 45,76 MM	
	72333126	3	VALVE SEAT RING 45,86 MM	
6	72333121	6	VALVE GUIDE DUAL GROOVE 15,00 MM	
	72415971	6	VALVE GUIDE SINGLE GROOVE 15,00 MM	
	72333123	6	VALVE GUIDE 15,25 MM	
	72333124	6	VALVE GUIDE 15,50 MM	
7	72323676	6	LOCKWASHER	
8	72323888	6	SPRING RETAINER	
10	72324338	6	COMPRESSION SPRING	
11	72324349	6	SPRING RETAINER	
12	72333115	12	VALVE SPRING KEY	
13	72373927	3	STUD BOLT	DIN 835 M10X50-8.8
14	72418370	9	STUD BOLT	DIN 835-M8 SN4X55-8.8
18	72313268	9	NUT	DIN 934 M8-8A3L
19	72373957	6	SCREW	DIN 908-M26X1,5-ST-A3L
21	72323919	3	DISC	
22	72333416	3	HOLDER	
23	72313271	3	NUT	DIN 934 M10-8
24	72344275	3	COMPENSATING RING 1,20 MM	
	72344280	3	COMPENSATING RING 1,45 MM	
	72344282	3	COMPENSATING RING 1,55 MM	
	72333127	3	COMPENSATING RING 1,65 MM	
	72333128	3	COMPENSATING RING 1,90 MM	
25	72324409	12	SOCKET HEAD BOLT	
26	72324345	12	MACHINE WASHER	
30	72324477	3	CYLINDER 102,00 MM	
31	72323891	X	COMPENSATING RING 0,20 MM	
	72324067	X	COMPENSATING RING 0,50 MM	

Item	Part Number	Qty	Description Comments	Technical Specification
	72324374	X	COMPENSATING RING 0,80 MM	
	72324201	X	COMPENSATING RING 1,00 MM	
34			SEE LIGHTS AND HORN	
36	72315657	3	HEXAGONAL HEAD BOLT	DIN 933 M8 X 30-8.8A3L
	72325293	3	HEXAGONAL HEAD BOLT FOR DOMED CYLINDER HEAD COVER	M8X30
37	72311788	3	DISC	DIN 125-8,4-ST.A3L
38	72323693	3	SEALING WASHER	
	72488855	3	SEALING WASHER FOR DOMED CYLINDER HEAD COVER	
39	72324097	3	CYLINDER HEAD COVER FLAT <-- F149.200.210.240	
	72488845	3	CYLINDER HEAD COVER VAULTED ><36,38,40	
40	72485671	3	SEAL	
	72485671	3	SEAL FOR DOMED CYLINDER HEAD COVER	

FARMER 260S (296/00001-99999)
32136

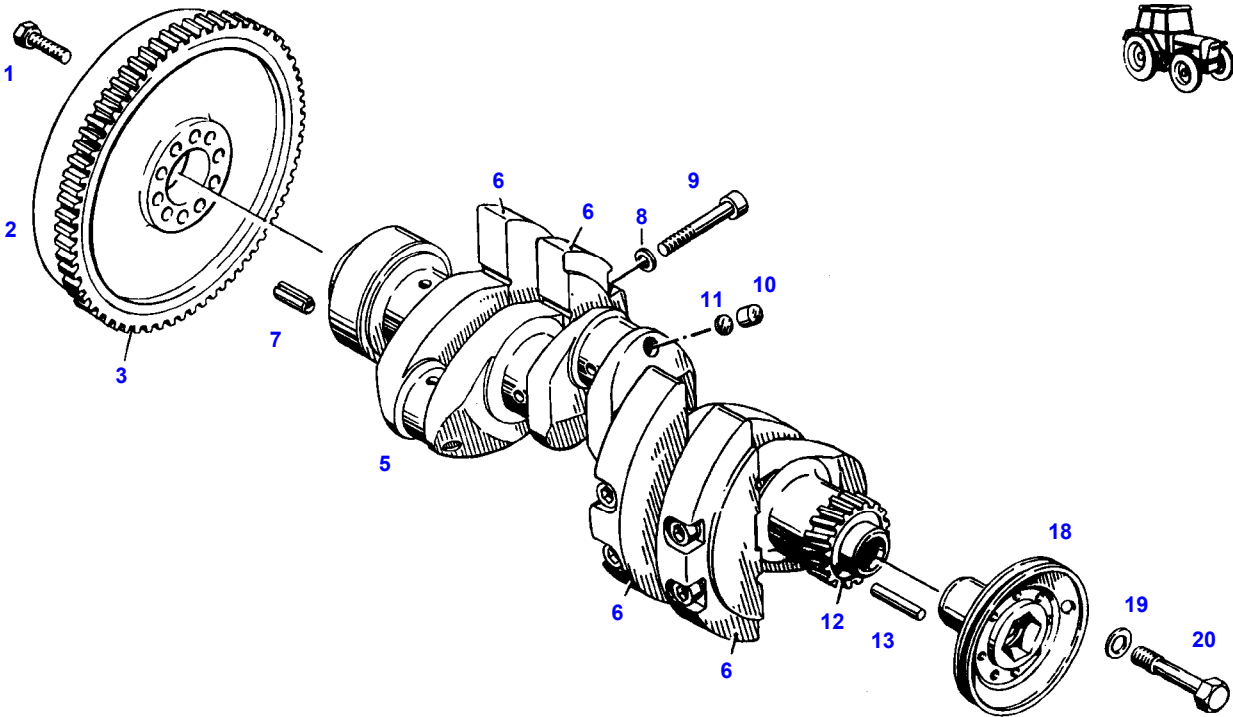


032136

Item	Part Number	Qty	Description Comments	Technical Specification
			<-- 296/7636	
1	72474193	3	CYLINDER HEAD ><1-14 <>24 <>	
	72344276	-	COMPENSATING RING	
	72324496	-	COMPENSATING RING	
	72344282	3	COMPENSATING RING	
	72344277	-	COMPENSATING RING	
	72344280	3	COMPENSATING RING	
	72333128	3	COMPENSATING RING	
	72333127	3	COMPENSATING RING	
	72344274	-	COMPENSATING RING	
	72344275	3	COMPENSATING RING	
2	72333119	3	INTAKE VALVE	
3	72333118	3	OUTLET VALVE	
4	72323897	3	VALVE SEAT RING 40,16 MM	
	72323898	3	VALVE SEAT RING 40,26 MM	
	72323899	3	VALVE SEAT RING 40,36 MM	
5	72333122	3	VALVE SEAT RING 45,66 MM	
	72333125	3	VALVE SEAT RING 45,76 MM	
	72333126	3	VALVE SEAT RING 45,86 MM	
6	72415971	6	VALVE GUIDE 15,00 MM	
	72415972	6	VALVE GUIDE 15,25 MM	
	72415973	6	VALVE GUIDE 15,50 MM	
7	72323676	6	LOCKWASHER	
8	72454606	6	DISC	
10	72324338	6	COMPRESSION SPRING	
11	72324349	6	SPRING RETAINER	
12	72333115	12	VALVE SPRING KEY	
13	72495168	3	STUD BOLT	
14	72418370	9	STUD BOLT	DIN 835-M8 SN4X55-8.8
18	72313268	9	NUT	DIN 934 M8-8A3L
19	72373957	6	SCREW	DIN 908-M26X1,5-ST-A3L
22	72333416	3	HOLDER	
23	72313271	3	NUT	DIN 934 M10-8
24	72344275	3	COMPENSATING RING 1,20 MM	
	72344280	3	COMPENSATING RING 1,45 MM	
	72344282	3	COMPENSATING RING 1,55 MM	
	72333127	3	COMPENSATING RING 1,65 MM	
	72333128	3	COMPENSATING RING 1,90 MM	
	72324496	X	COMPENSATING RING 1,10 MM	
	72344274	X	COMPENSATING RING 1,15 MM	
	72344276	X	COMPENSATING RING 1,25 MM	
	72344277	X	COMPENSATING RING 1,30 MM	

Item	Part Number	Qty	Description Comments	Technical Specification
25	72344278	X	COMPENSATING RING 1,35 MM	
	72344279	X	COMPENSATING RING 1,40 MM	
	72344281	X	COMPENSATING RING 1,50 MM	
	72425125	X	COMPENSATING RING 1,60 MM	
	72425126	X	COMPENSATING RING 1,70 MM	
	72425127	X	COMPENSATING RING 1,75 MM	
	72425128	X	COMPENSATING RING 1,80 MM	
	72425129	X	COMPENSATING RING 1,85 MM	
	72425130	X	COMPENSATING RING 1,95 MM	
	72425131	X	COMPENSATING RING 2,00 MM	
26	72324345	12	MACHINE WASHER	
29	72324409	12	SOCKET HEAD BOLT	
30	72324477	3	CYLINDER 102,00 MM	
31	72323891	X	COMPENSATING RING 0,20MM	
	72425123	X	COMPENSATING RING 0,30MM	
	72324067	X	COMPENSATING RING 0,50 MM	
	72324374	X	COMPENSATING RING 0,80 MM	
	72324201	X	COMPENSATING RING 1,00 MM	
34			SEE LIGHTS AND HORN	
36	72315657	3	HEXAGONAL HEAD BOLT	DIN 933 M8 X 30-8.8A3L
	72325293	3	HEXAGONAL HEAD BOLT FOR DOMED CYLINDER HEAD COVER	M8X30
37	72311788	3	DISC	DIN 125-8,4-ST.A3L
38	72323693	3	SEALING WASHER	
	72488855	3	SEALING WASHER FOR DOMED CYLINDER HEAD COVER	
39	72324097	3	CYLINDER HEAD COVER FLAT <-- F149.200.210.240	
	72488845	3	CYLINDER HEAD COVER VAULTED ><36,38,40	
40	72485671	3	SEAL	
	72485671	3	SEAL FOR DOMED CYLINDER HEAD COVER	

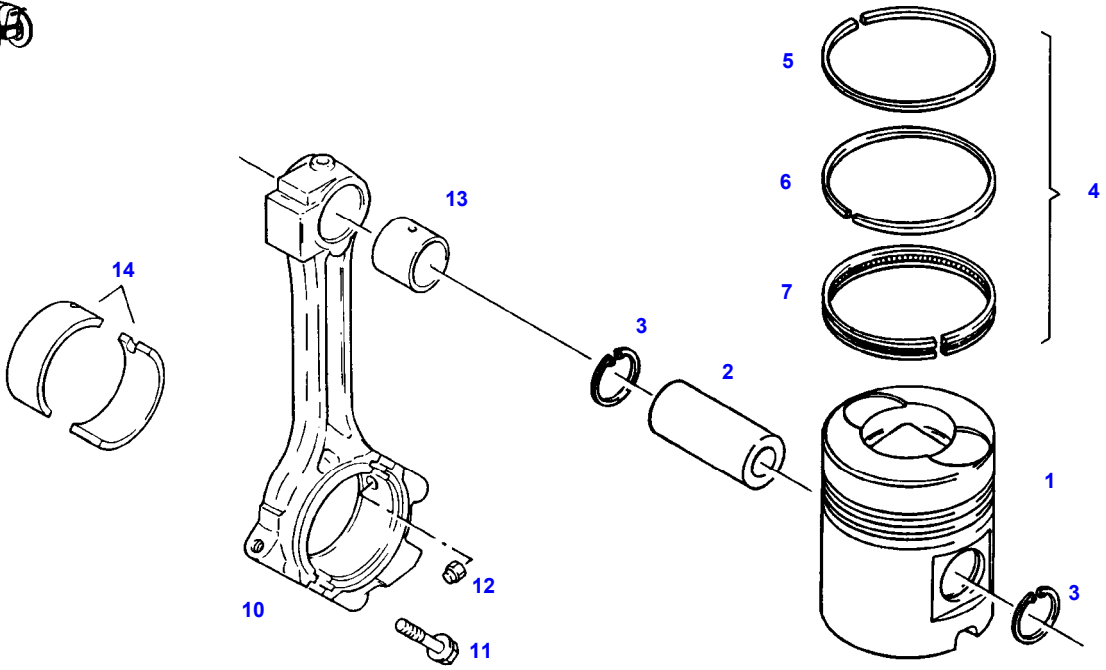
FARMER 260S (296/00001-99999)
5454



5454

Item	Part Number	Qty	Description Comments	Technical Specification
1	72374803	10	HEXAGONAL HEAD BOLT --> 296/2530	DIN 961 M10X1X45-10.9A4C
	72374802	10	HEXAGONAL HEAD BOLT <-- 296/2531	DIN 961 M10X1X35-10.9A4C
2	72358101	1	FLYWHEEL ><3 --> 296/1249	
	72358474	1	FLYWHEEL ><3 <-- 296/1250 --> 296/2530	
	72358475	1	FLYWHEEL ><3 <-- 296/2531	
3	72323784	1	RING GEAR	
5	72324425	1	CRANKSHAFT ><6-13 --> 296/7635	
	72431471	1	CRANKSHAFT ><7,12,13 <-- 296/7636	
6	72323979	4	COUNTER-BALANCE WEIGHT --> 296/7635	
7	72375160	1	TENSIONING PIN	ISO8752-8X18-A-ST
8	72323684	8	DISC --> 296/7635	
9	72315513	8	SOCKET HEAD BOLT --> 296/7635	DIN 912 M12X60-10.9
10	72323592	3	PLUG --> 296/7635	
11	72323572	3	DISC	
12	72324149	1	GEAR WHEEL --> 296/2788	
	72324150	1	GEAR WHEEL <-- 296/2789	
13	72372685	1	DOWEL PIN	
18	72324426	1	V BELT SHEAVE	
19	72323687	1	DISC	
20	72323571	1	WAISTED SHANK BOLT --> 296/2788	
	72344359	1	WAISTED SHANK BOLT <-- 296/2789	

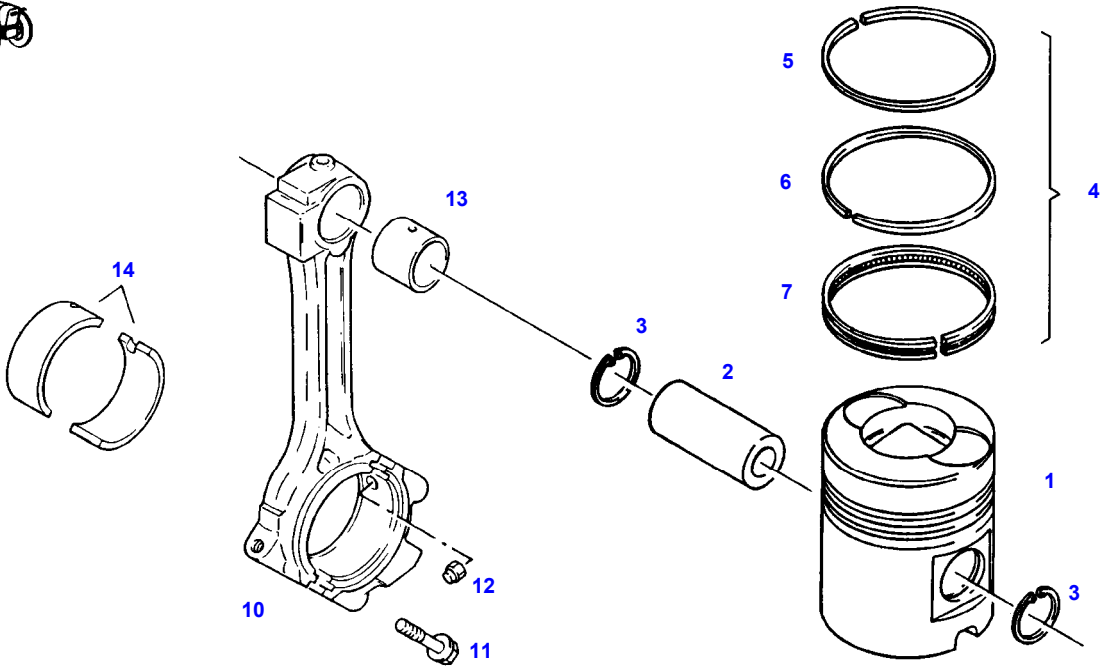
FARMER 260S (296/00001-99999)
5457



5457

Item	Part Number	Qty	Description Comments	Technical Specification
			--> 296/7001	
1	72324501	3	PISTON 102 MM ><2-7 PISTON HEIGHT 113 MM	
	72333417	3	PISTON 102 MM ><2-7 PISTON HEIGHT 105 MM	
	72324442	3	PISTON 102,50 MM ><2-7	
2			NO SPARE PART	
3	72311094	6	LOCK WASHER	DIN 472-35X1,5
4	72324416	3	PISTON RING KIT ><5-7 PISTON HEIGHT 113 MM	
	72333418	3	PISTON RING KIT PISTON HEIGHT 105 MM	
5			NOT AVAILABLE IN SINGLE PARTS	
6			NOT AVAILABLE IN SINGLE PARTS	
7			NOT AVAILABLE IN SINGLE PARTS	
10	72478326	3	PISTON ROD ><11-13	
11	72324484	6	HEXAGONAL HEAD BOLT L=65,00 MM	
	72426149	6	HEXAGONAL HEAD BOLT L=62,50 MM	
12	72323845	3	FIXING PIN	
13	72324343	3	PISTON BUSH	
14	72415974	3	CONNECTING ROD BEARING 60,00 MM	
	72415977	3	CONNECTING ROD BEARING 59,75 MM	
	72415978	3	CONNECTING ROD BEARING 59,50 MM	
	72323927	3	CONNECTING ROD BEARING FOR STEEL CRANKSHAFT 59,25 MM	

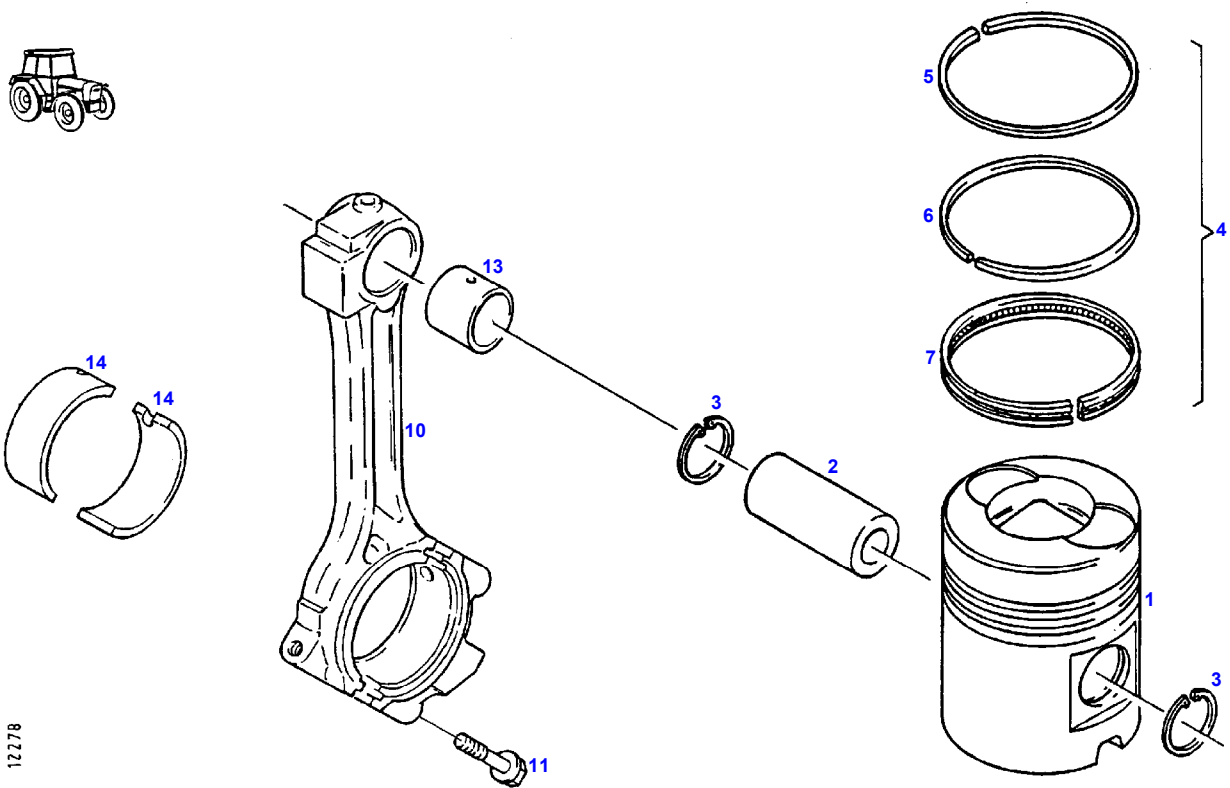
FARMER 260S (296/00001-99999)
5457



5457

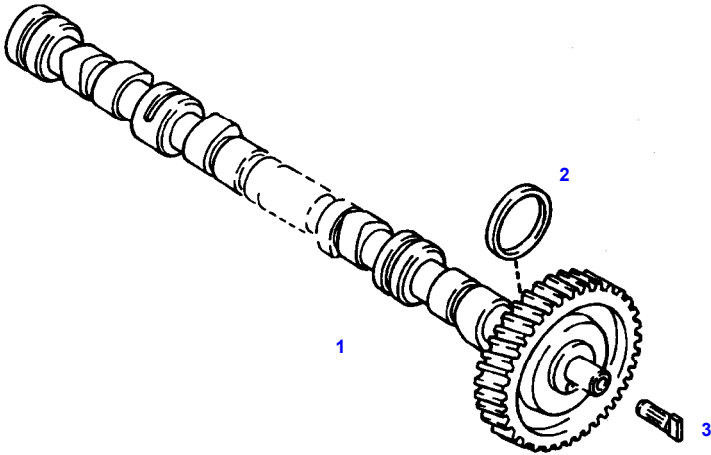
Item	Part Number	Qty	Description Comments	Technical Specification
			<-- 296/7002 --> 296/7635	
1	72343231	3	PISTON 102 MM ><2-7	
2			NO SPARE PART	
3	72311094	6	LOCK WASHER	DIN 472-35X1,5
4	72343232	3	PISTON RING KIT ><5-7	
5			NOT AVAILABLE IN SINGLE PARTS	
6			NOT AVAILABLE IN SINGLE PARTS	
7			NOT AVAILABLE IN SINGLE PARTS	
10	72478326	3	PISTON ROD ><11-13	
11	72324484	6	HEXAGONAL HEAD BOLT L=65,00 MM	
	72426149	6	HEXAGONAL HEAD BOLT L=62,50 MM	
12	72323845	3	FIXING PIN	
13	72324343	3	PISTON BUSH	
14	72415974	3	CONNECTING ROD BEARING 60,00 MM	
	72415977	3	CONNECTING ROD BEARING 59,75 MM	
	72415978	3	CONNECTING ROD BEARING 59,50 MM	
	72323927	3	CONNECTING ROD BEARING FOR STEEL CRANKSHAFT 59,25 MM	

FARMER 260S (296/00001-99999)
12278



Item	Part Number	Qty	Description Comments	Technical Specification
			<-- 296/7636	
1	72343231	3	PISTON 102 MM ><2-7	
2			NO SPARE PART	
3	72311094	6	LOCK WASHER	DIN 472-35X1,5
4	72343232	3	PISTON RING KIT ><5-7	
5			NOT AVAILABLE IN SINGLE PARTS	
6			NOT AVAILABLE IN SINGLE PARTS	
7			NOT AVAILABLE IN SINGLE PARTS	
10	72611101	3	PISTON ROD ><11-13	
11	72324484	6	HEXAGONAL HEAD BOLT L=65MM	
	72426149	6	HEXAGONAL HEAD BOLT L=62,5MM	
13	72324343	3	PISTON BUSH	
14	72415974	3	CONNECTING ROD BEARING 60,00 MM	
	72415977	3	CONNECTING ROD BEARING 59,75 MM	
	72415978	3	CONNECTING ROD BEARING 59,50 MM	

FARMER 260S (296/00001-99999)
5461



5461

Fendt

FARMER 260S (296/00001-99999)

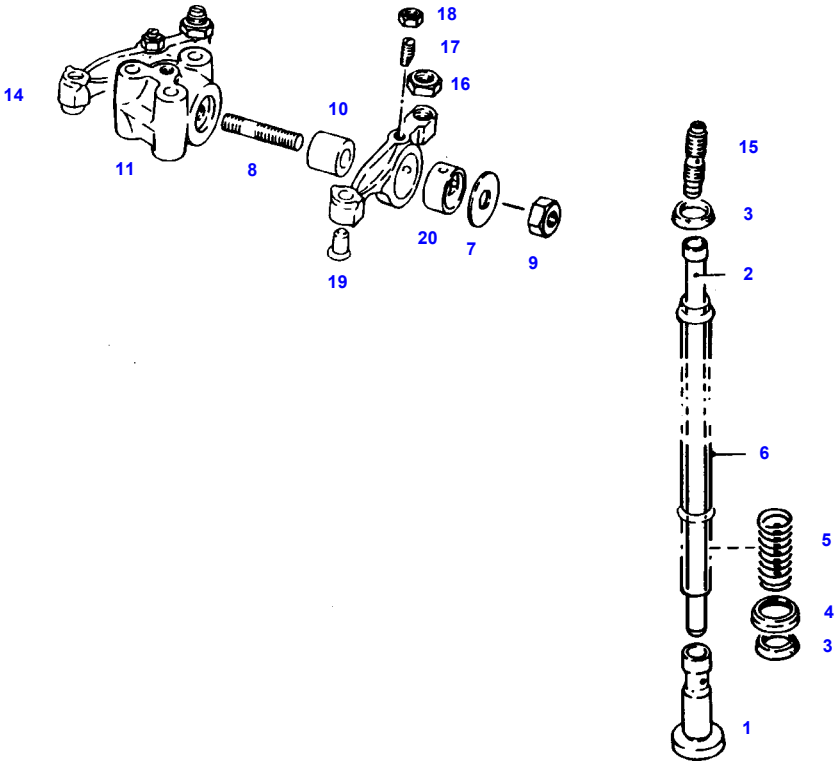
F296000

CAMSHAFT

Page01-0037

Item	Part Number	Qty	Description Comments
1	72323742	1	CAMSHAFT --> 296/7000
	72333133	1	CAMSHAFT <-- 296/7001
2	72324337	1	DISC
3			SEE TRACTOMETER SYSTEM

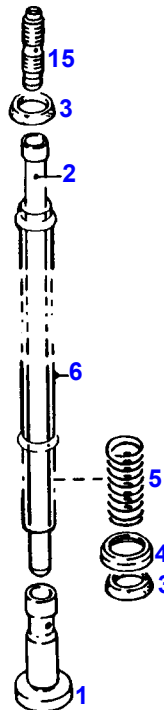
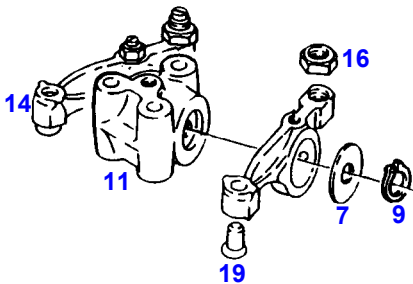
FARMER 260S (296/00001-99999)
5463



5463

Item	Part Number	Qty	Description Comments	Technical Specification
			--> 296/2788	
1	72324362	6	VALVE TAPPET	
2	72324428	6	BUMPER	
3	72324064	12	SEALING WASHER	
4	72324363	6	CAP	
5	72324360	6	COIL SPRING	
6	72324364	6	SHIELD PIPE	
7	72323681	6	DISC	
8	72313777	6	STUD BOLT	DIN 939 M10X35-8.8
9	72313272	6	NUT	DIN 934 M10-8A3L
10	72324161	6	BUSH	
11	72324359	3	ROCKER ARM SUPPORT	
14	72324142	6	ROCKER ARM ><15-20	
15	72324333	6	ADJUSTING SCREW	
16	72372876	6	NUT	DIN 936 M10X1-17H
17	72324355	6	OIL NOZZLE	
18	72313266	6	NUT	DIN 934 M6-8A3L
19	72324137	6	CLEVIS PIN	
20	72324160	6	BUSH	

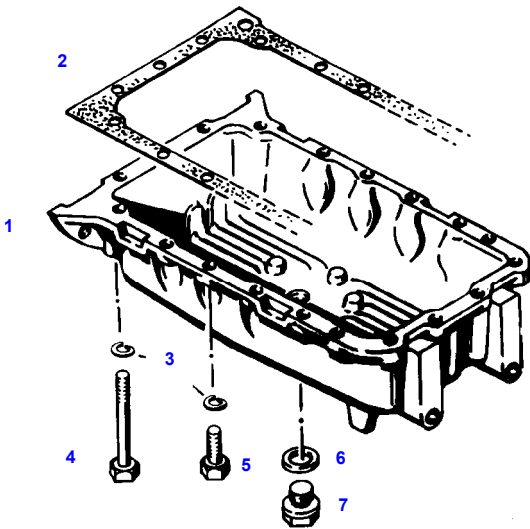
FARMER 260S (296/00001-99999)
10068



10068

Item	Part Number	Qty	Description Comments	Technical Specification
			<-- 296/2789	
1	72324362	6	VALVE TAPPET	
2	72324428	6	BUMPER	
3	72324064	12	SEALING WASHER	
4	72324363	6	CAP	
5	72324360	6	COIL SPRING	
6	72324364	6	SHIELD PIPE	
7	72344293	6	DISC	
9	72375564	6	LOCK WASHER	DIN 471-21X1,2
11	72415982	3	ROCKER ARM SUPPORT	
14	72333469	6	ROCKER ARM ><14-20	
15	72324333	6	ADJUSTING SCREW	
16	72372876	6	NUT	DIN 936 M10X1-17H
	72325438	6	NUT	
			--> 296/7635	
			<-- 296/7636	
19	72324137	6	CLEVIS PIN	

FARMER 260S (296/00001-99999)
5452



5452



Suggest:

For more complete manuals. Please go to the home page.

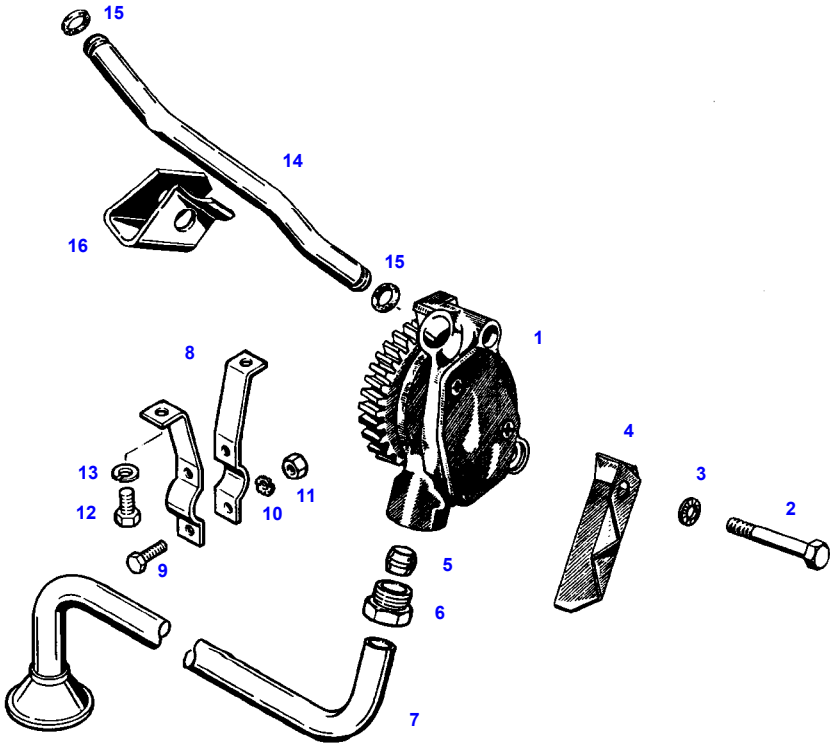
<https://www.ebooklibonline.com>

If the above button click is invalid. Please download this document first, and then click the above link to download the complete manual.

Thank you so much for reading

Item	Part Number	Qty	Description Comments	Technical Specification
1	72324004	1	OIL PAN WITHOUT MIDMOUNTING IMPLEMENT	
	72324475	1	OIL PAN WITH MIDMOUNTING IMPLEMENT	
2	72324309	1	SEAL	
3	72311788	19	DISC	DIN 125-8,4-ST.A3L
4	72374149	3	HEXAGONAL HEAD BOLT	DIN 931 M8X110-8.8
5	72315653	16	HEXAGONAL HEAD BOLT	DIN 933 M8 X 25-8.8A3L
6	72376042	1	SEALING WASHER	DIN 7603 A30X36-AL
7	72374943	1	SCREW	DIN 7604 CM30X1,5-ST

FARMER 260S (296/00001-99999)
5468



5468

<https://www.ebooklibonline.com>

Hello dear friend!

Thank you very much for reading.

Enter the link into your browser.

The full manual is available for immediate download.

<https://www.ebooklibonline.com>