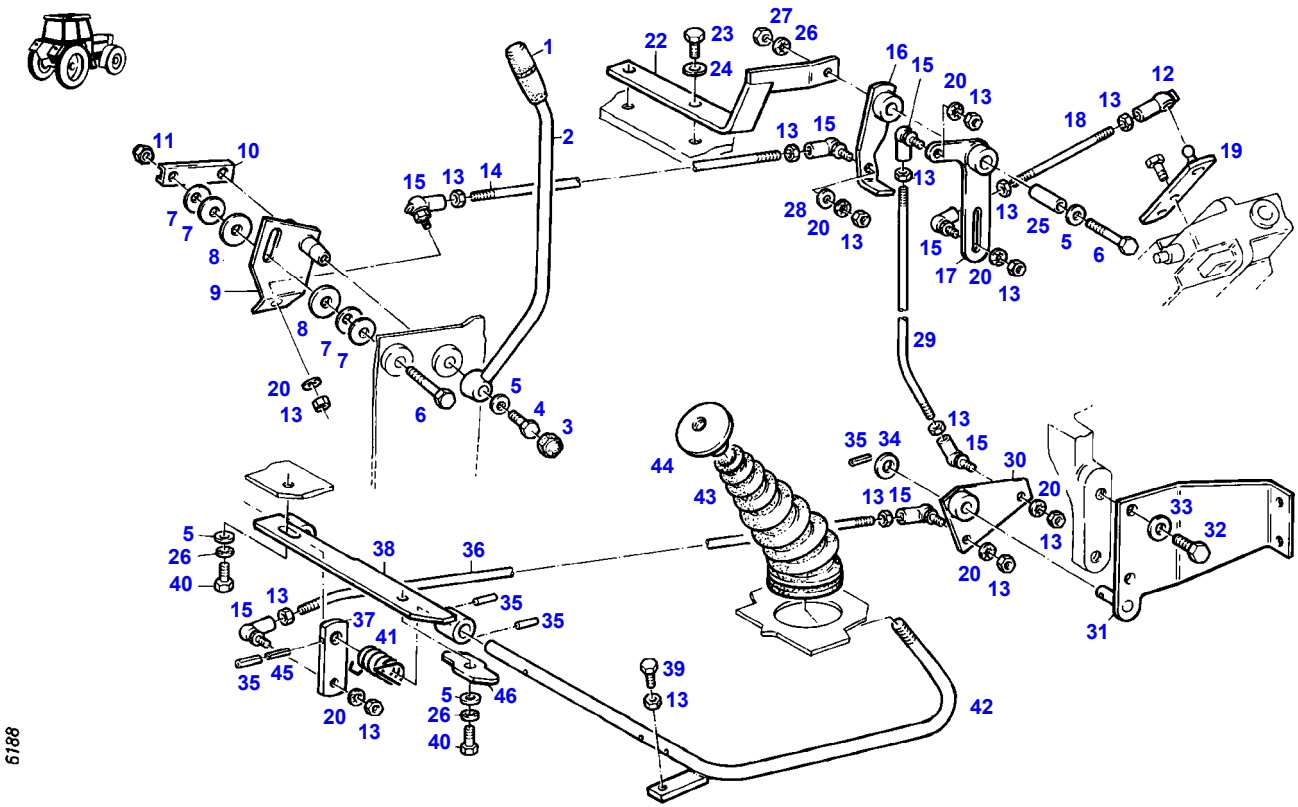


TABLE OF CONTENT

| Page Number | Page Title | Page Reference |
|--------------------|-------------------------------------|-----------------------|
| 01-000-TOC | ENGINE, FUEL AND EXHAUST SYSTEM | 01-000-TOC |
| 02-000-TOC | AXLES | 02-000-TOC |
| 03-000-TOC | STEERING SYSTEM | 03-000-TOC |
| 04-000-TOC | DRIVE TRAIN SYSTEM | 04-000-TOC |
| 05-000-TOC | COMPRESSED AIR SYSTEM | 05-000-TOC |
| 06-000-TOC | HYDRAULIC SYSTEM | 06-000-TOC |
| 07-000-TOC | ELECTRICAL SYSTEM | 07-000-TOC |
| 08-000-TOC | CAB | 08-000-TOC |
| 09-000-TOC | AIR CONDITIONING AND HEATING SYSTEM | 09-000-TOC |
| 10-000-TOC | CHASSIS | 10-000-TOC |
| 11-000-TOC | WHEELS | 11-000-TOC |
| 12-000-TOC | IMPLEMENT LIFT SYSTEM FRONT | 12-000-TOC |
| 13-000-TOC | IMPLEMENT LIFT SYSTEM REAR | 13-000-TOC |
| 14-000-TOC | FRONT/REAR LOADERS | 14-000-TOC |
| 15-000-TOC | ATTACHMENTS | 15-000-TOC |
| 16-000-TOC | ACCESSORIES | 16-000-TOC |

| Page Number | Page Title | Page Reference |
|-------------|---|----------------|
| 01-0001 | SPEED CONTROL --> 246/0243 | 2010 |
| 01-0002 | SPEED CONTROL <-- 246/0244 | 2015 |
| 01-0003 | FUEL TANK | 2020 |
| 01-0004 | FUEL LINES | 2030 |
| 01-0005 | SHRINK HOSE RAPE SEED OIL METHYLATED ESTER | 2035 |
| 01-0006 | FUEL FILTER | 2040 |
| 01-0007 | AIR FILTER --> 246/0232 | 2050 |
| 01-0008 | AIR FILTER <-- 246/0233 | 2053 |
| 01-0009 | AIR FILTER AIR SUPPLY EQUIPMENT AND/OR ARI COND. | 2055 |
| 01-0010 | EXHAUST TO BOTTOM | 2060 |
| 01-0011 | TAIL PIPE UPRIGHT | 2065 |
| 01-0012 | TAIL PIPE UPRIGHT | 2067 |
| 01-0013 | EXHAUST UPRIGHT --> 246/0403 | 2070 |
| 01-0014 | EXHAUST UPRIGHT <-- 246/0404 | 2075 |
| 01-0015 | TRACTOMETER SYSTEM | 2080 |
| 01-0016 | COLD STARTING AID --> 246/0361 | 2090 |
| 01-0017 | COLD STARTING AID AIR BRAKIN SYSTEM | 2093 |
| 01-0018 | COLD STARTING AID <-- 246/0362 | 2095 |
| 01-0019 | ENGINE STOP | 2100 |
| 01-0020 | CRANKCASE | 2110 |
| 01-0021 | INTERM. GEAR WHEEL | 2115 |
| 01-0022 | FRONT COVER | 2120 |
| 01-0023 | BREATHER PIPE | 2125 |
| 01-0024 | CYLINDER | 2130 |
| 01-0025 | CRANKSHAFT | 2140 |
| 01-0026 | PISTON | 2150 |
| 01-0027 | CAMSHAFT | 2160 |
| 01-0028 | VALVE DRIVE | 2170 |
| 01-0029 | OIL PAN | 2180 |
| 01-0030 | OIL PUMP | 2190 |
| 01-0031 | OIL COOLER | 2200 |
| 01-0032 | OIL FILTER | 2210 |
| 01-0033 | SUPPLY LINES | 2220 |
| 01-0034 | LEAK OIL LINE | 2230 |
| 01-0035 | INJECTION PUMP | 2240 |
| 01-0036 | FUEL PUMP | 2245 |
| 01-0037 | INJECTOR VALVE ENGINE NUMBER --> 7801 719 | 2250 |
| 01-0038 | INJECTOR VALVE ENGINE NUMBER <-- 7801 720 | 2255 |
| 01-0039 | COOLING AIR BLOWER | 2260 |
| 01-0040 | FAN PANELLING | 2270 |
| 01-0041 | FAN AIR SUPPLY EQUIPMENT AND/OR ARI COND. | 2280 |

FARMER 260P (246/00001-99999)
6188



<https://www.ebooklibonline.com>

Hello dear friend!

Thank you very much for reading.

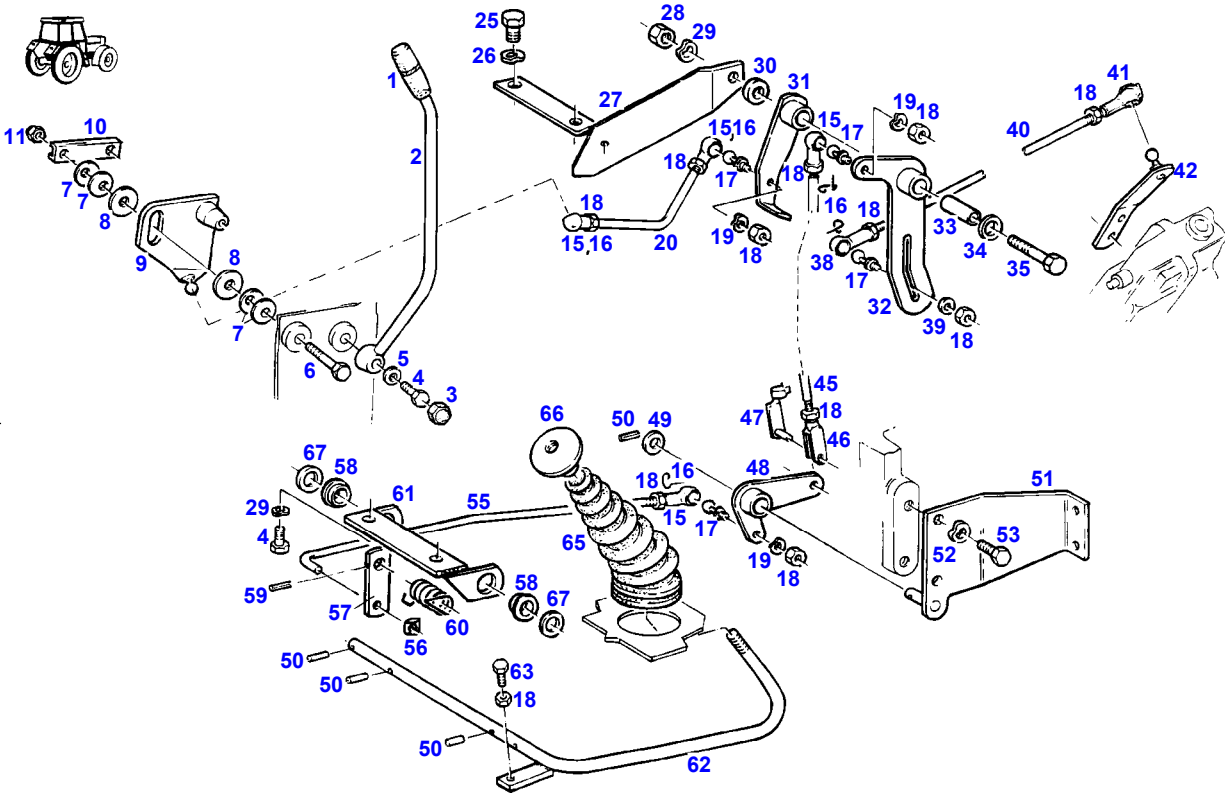
Enter the link into your browser.

The full manual is available for immediate download.

<https://www.ebooklibonline.com>

| Item | Part Number | Qty | Description Comments | Technical Specification |
|------|-------------|-----|--|--------------------------------|
| | | | --> 246/0243 | |
| 1 | 72393661 | 1 | HANDLE GRIP | |
| 2 | 72358110 | 1 | HAND THROTTLE LEVER | |
| 3 | 72310930 | 1 | HEX HEAD PROTECTIVE CAP | SW |
| 4 | 72315650 | 1 | HEXAGONAL HEAD BOLT | DIN 933 M8 X 20-8.8A3L |
| 5 | 72311788 | 3 | DISC | DIN 125-8,4-ST.A3L |
| 6 | 72315529 | 2 | HEXAGONAL HEAD BOLT | DIN 931 M8X50-8.8A3L |
| 7 | 72379553 | 4 | DISK SPRING | 20X8,2X0,8 |
| 8 | 72393657 | 2 | DISC | |
| 9 | 72358108 | 1 | REVERSING LEVER | |
| 10 | 72397827 | 1 | U-RAIL | |
| 11 | 72313320 | 1 | NUT | DIN6925-M8-8-A3L |
| 12 | 72316305 | 1 | BALL SOCKET | 10SXN03R |
| 13 | 72313266 | 15 | NUT | DIN 934 M6-8A3L |
| 14 | 72400505 | 1 | ROD | |
| 15 | 72316303 | 7 | BALL SOCKET | DIN 71805 B10-A3L |
| | 72317189 | 7 | SECURING CLIP | DIN71805 S10-A3L |
| | 72313852 | 7 | BALL PIN | DIN 71803-C10-ST-A3L |
| 16 | 72363072 | 1 | LEVER | |
| 17 | 72363070 | 1 | ADJUSTMENT LEVER | |
| 18 | 72315300 | 1 | THREADED ROD | |
| 19 | 72354156 | 1 | LEVER | |
| 20 | 72317120 | 6 | SPRING WASHER | DIN 137 B6-MECH.VZK |
| 22 | 72363066 | 1 | RETAINER | |
| 23 | 72315679 | 2 | HEXAGONAL HEAD BOLT | DIN 933 M10X20-8.8A3L |
| 24 | 72317122 | 2 | SPRING WASHER | DIN 137 B10-MECH.VZK |
| 25 | 72397831 | 1 | SPACER TUBE | |
| 26 | 72317121 | 3 | SPRING WASHER | DIN 137 B8-MECH.VZK |
| 27 | 72313268 | 1 | NUT | DIN 934 M8-8A3L |
| 28 | 72311787 | 1 | DISC | DIN 125-6,4-ST.A3L |
| 29 | 72406862 | 1 | ROD | |
| 30 | 72363068 | 1 | REVERSING LEVER | |
| 31 | 72363071 | 1 | RETAINER | |
| 32 | 72315711 | 2 | HEXAGONAL HEAD BOLT | DIN 933 M12X35-8.8A3L |
| 33 | 72317123 | 2 | SPRING WASHER | DIN 137 B12-ZNPHR |
| 34 | 72311804 | 1 | DISC | DIN 433-13-ST.A3L |
| 35 | 72313804 | 4 | TENSIONING PIN | ISO8752-4X22-A-ST-ZNPHR10F-KOE |
| 36 | 72406861 | 1 | ROD <> 1X X536.604.822 <> | |
| | 72311179 | 1 | DUO-CLIP | 6 SXN10 |
| 37 | 72397830 | 1 | DRIVER | |
| 38 | 72363064 | 1 | SUPPORT 2X 178.200.020.010 2X X450.908.708 <> | |
| | 72363065 | 1 | ACCELERATOR PEDAL | |
| | 72311804 | 2 | DISC | DIN 433-13-ST.A3L |
| | 72393653 | 2 | BUSH | |
| 39 | 72315631 | 1 | HEXAGONAL HEAD BOLT | DIN 933 M6 X 20-8.8A3L |
| 40 | 72315642 | 2 | HEXAGONAL HEAD BOLT | DIN 933 M8 X 16-8.8A3L |
| 41 | 72316505 | 1 | LEG SPRING | |
| 42 | 72363065 | 1 | ACCELERATOR PEDAL 2X 178.200.020.010 2X X450.908.708 <> | |
| | 72393653 | 2 | BUSH | |
| | 72363064 | 1 | SUPPORT | |
| | 72311804 | 2 | DISC | DIN 433-13-ST.A3L |
| 43 | 72377290 | 1 | BELLOWS | |
| 44 | 72363073 | 1 | PEDAL PLATE | |
| 45 | 72428239 | 1 | TENSIONING PIN | ISO8752-2,5X22-OB3 |
| 46 | 72400507 | 1 | FLOOR PAD | |

FARMER 260P (246/00001-99999)
10056

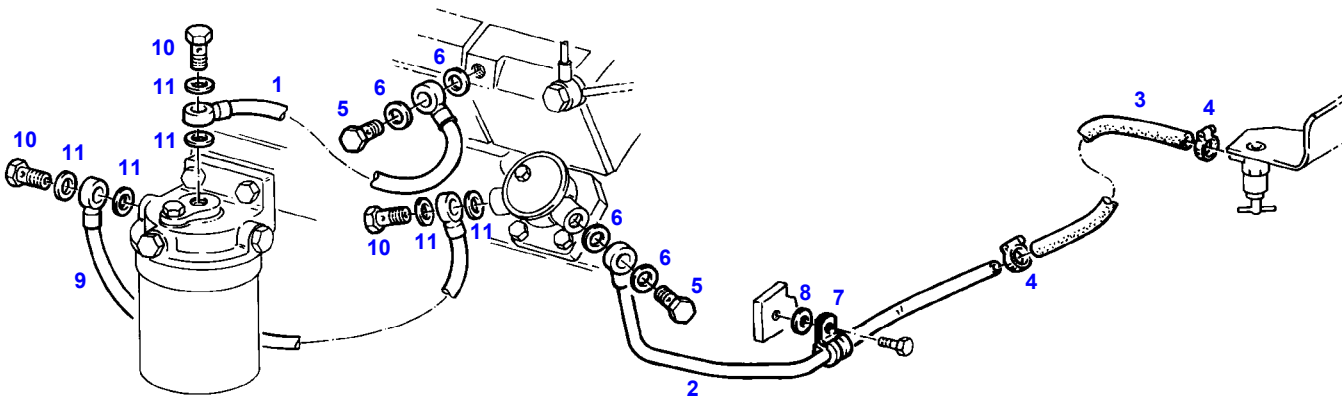


10056

| Item | Part Number | Qty | Description Comments | Technical Specification |
|------|-------------|-----|-------------------------|--------------------------------|
| | | | <-- 246/0244 | |
| 1 | 72393661 | 1 | HANDLE GRIP | |
| 2 | 72358110 | 1 | HAND THROTTLE LEVER | |
| 3 | 72310930 | 1 | HEX HEAD PROTECTIVE CAP | SW |
| 4 | 72315650 | 3 | HEXAGONAL HEAD BOLT | DIN 933 M8 X 20-8.8A3L |
| 5 | 72311788 | 1 | DISC | DIN 125-8,4-ST.A3L |
| 6 | 72315529 | 1 | HEXAGONAL HEAD BOLT | DIN 931 M8X50-8.8A3L |
| 7 | 72379553 | 4 | DISK SPRING | 20X8,2X0,8 |
| 8 | 72393657 | 2 | DISC | |
| 9 | 72358108 | 1 | REVERSING LEVER | |
| 10 | 72397827 | 1 | U-RAIL | |
| 11 | 72313320 | 1 | NUT | DIN6925-M8-8-A3L |
| 15 | 72316303 | 4 | BALL SOCKET | DIN 71805 B10-A3L |
| 16 | 72317189 | 5 | SECURING CLIP | DIN71805 S10-A3L |
| 17 | 72313852 | 4 | BALL PIN | DIN 71803-C10-ST-A3L |
| 18 | 72313266 | 12 | NUT | DIN 934 M6-8A3L |
| 19 | 72317120 | 3 | SPRING WASHER | DIN 137 B6-MECH.VZK |
| 20 | 72400505 | 1 | ROD | |
| 25 | 72315679 | 2 | HEXAGONAL HEAD BOLT | DIN 933 M10X20-8.8A3L |
| 26 | 72317122 | 2 | SPRING WASHER | DIN 137 B10-MECH.VZK |
| 27 | 72363066 | 1 | RETAINER | |
| 28 | 72313268 | 1 | NUT | DIN 934 M8-8A3L |
| 29 | 72317121 | 3 | SPRING WASHER | DIN 137 B8-MECH.VZK |
| 30 | 72311848 | 1 | DISC | |
| 31 | 72363072 | 1 | LEVER | |
| 32 | 72363070 | 1 | ADJUSTMENT LEVER | |
| 33 | 72397831 | 1 | SPACER TUBE | |
| 34 | 72311788 | 1 | DISC | DIN 125-8,4-ST.A3L |
| 35 | 72315669 | 1 | HEXAGONAL HEAD BOLT | DIN 933 M8X55-8.8A3L |
| 38 | 72316362 | 1 | BALL SOCKET | |
| 39 | 72311822 | 3 | DISC | DIN9021-6,4-140HV-A3L |
| 40 | 72315300 | 1 | THREADED ROD | |
| | | | -->246/0291 | |
| | 72406865 | 1 | THREADED ROD | |
| | | | <--246/0292 | |
| 41 | 72316305 | 1 | BALL SOCKET | 10SXN03R |
| 42 | 72354156 | 1 | LEVER | |
| 45 | 72406862 | 1 | ROD | |
| 46 | 72311308 | 1 | CLEVIS | DIN 71752 G6X24-A3L |
| 47 | 72310448 | 1 | BOLT | FWN 64072 6X24 A3L |
| 48 | 72363068 | 1 | REVERSING LEVER | |
| 49 | 72311804 | 1 | DISC | DIN 433-13-ST.A3L |
| 50 | 72313804 | 4 | TENSIONING PIN | ISO8752-4X22-A-ST-ZNPHR10F-KOE |
| 51 | 72363071 | 1 | RETAINER | |
| 52 | 72317123 | 2 | SPRING WASHER | DIN 137 B12-ZNPHR |
| 53 | 72315711 | 2 | HEXAGONAL HEAD BOLT | DIN 933 M12X35-8.8A3L |
| 55 | 72406861 | 1 | ROD | |
| 56 | 72311179 | 1 | DUO-CLIP | 6 SXN10 |
| 57 | 72397830 | 1 | DRIVER | |
| 58 | 72393653 | 2 | BUSH | |
| 59 | 72428239 | 1 | TENSIONING PIN | ISO8752-2,5X22-OB3 |
| 60 | 72316505 | 1 | LEG SPRING | |
| 61 | 72363064 | 1 | SUPPORT | |
| 62 | 72363065 | 1 | ACCELERATOR PEDAL | |
| 63 | 72315631 | 1 | HEXAGONAL HEAD BOLT | DIN 933 M6 X 20-8.8A3L |
| 65 | 72377290 | 1 | BELLOWS | |
| 66 | 72363073 | 1 | PEDAL PLATE | |
| 67 | 72311791 | 2 | DISC | DIN 125-13-ST.A3L |

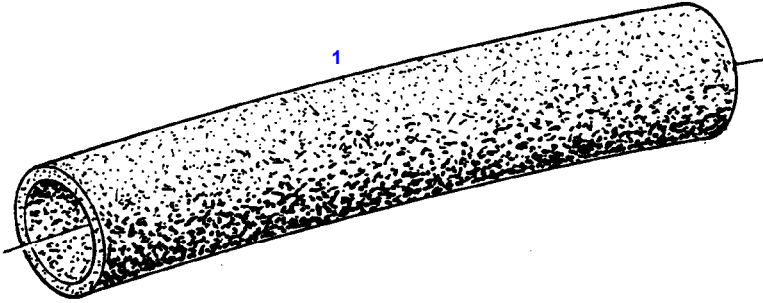
| Item | Part Number | Qty | Description Comments | Technical Specification |
|------|-------------|-----|--|--------------------------|
| 1 | 72348833 | 1 | FUEL TANK <-- G210.202.060.011 1X CUT TO LENGTH <> | |
| | 72424096 | 1 | REDUCING STUD | GRS8-6 |
| | 72429641 | 1 | PLATE | |
| | 72315462 | 4 | SOCKET HEAD BOLT | DIN 912 M6X12-8.8A3L |
| | 72450302 | 1 | PRESSURE HOSE | L=1000 |
| | 72313434 | 4 | O-RING | 15,3X2,4-NBR 70-FWN56402 |
| | 72438345 | 2 | HOSE CLIP | |
| 2 | 72433112 | 1 | STRAINER | 60X100-MS |
| 3 | 72380143 | 1 | FUEL CAP KOEHLER ><4 | M.BELUEF |
| | 72348297 | 1 | FUEL CAP LOCKABLE BLAU ><4+5 | |
| 4 | 72330725 | 1 | SEAL BLAU | |
| | 72312304 | 1 | RUBBER SEAL KOEHLER | |
| 5 | 72330726 | 1 | SEAL | |
| 8 | 72391503 | 1 | BAND | |
| 9 | 72391504 | 2 | BAND | |
| 10 | 72391501 | 2 | BAND CLAMP | |
| 11 | 72315657 | 2 | HEXAGONAL HEAD BOLT | DIN 933 M8 X 30-8.8A3L |
| 12 | 72313320 | 2 | NUT | DIN6925-M8-8-A3L |
| 13 | 72311789 | 2 | DISC | DIN 125-10,5-ST.A3L |
| 14 | 72311788 | 2 | DISC | DIN 125-8,4-ST.A3L |
| 15 | 72313268 | 2 | NUT | DIN 934 M8-8A3L |
| 16 | 72380146 | 1 | FUEL LEVEL SENSOR ><17 | |
| 17 | 72315169 | 1 | SEALING WASHER | |
| 18 | 72354745 | 1 | TANK SUPPORT | |
| 19 | 72391502 | 1 | BAND | |
| 20 | 72315642 | 4 | HEXAGONAL HEAD BOLT | DIN 933 M8 X 16-8.8A3L |
| 21 | 72317121 | 4 | SPRING WASHER | DIN 137 B8-MECH.VZK |
| 22 | 72315093 | 1 | SEALING WASHER | DIN 7603 A12X18-CU |
| 23 | 72315094 | 1 | SEALING WASHER | DIN 7603 A14X18-CU |
| 24 | 72377531 | 1 | RING HOSE NIPPLE | FWN65910-A-DN8 |
| 25 | 72380159 | 1 | FUEL SHUT-OFF VALVE | |
| 26 | 72450301 | 1 | PRESSURE HOSE WITH 3 CYLINDER 1000 MM | L=1000 |
| | 72435830 | 1 | PRESSURE HOSE WITH 4 CYLINDER 1130 MM CUT TO LENGTH | L=2100 |
| 27 | 72373477 | 1 | HOSE CLIP | |
| 28 | 72377530 | 1 | RING HOSE NIPPLE | FWN65910-A-DN2 |
| 29 | 72438345 | 1 | HOSE CLIP | |
| 30 | 72379152 | 1 | CABLE BUSHING | HV1305 |
| 32 | 72450353 | 1 | PRESSURE HOSE 80 MM CUT TO LENGTH | L=200 |
| 33 | 72424096 | 1 | REDUCING STUD | GRS8-6 |
| 34 | 72438345 | 2 | HOSE CLIP | |

FARMER 260P (246/00001-99999)
5015



5015

| Item | Part Number | Qty | Description Comments | Technical Specification |
|------|-------------|-----|--|-------------------------|
| 1 | 72358112 | 1 | FUEL LINE | |
| 2 | 72358111 | 1 | FUEL LINE | |
| 3 | 72450303 | 1 | PRESSURE HOSE 260 MM CUT TO LENGTH | L=1000 |
| 4 | 72438345 | 2 | HOSE CLIP | |
| 5 | 72315808 | 2 | BANJO BOLT | DIN 7643-10-3-A3L |
| 6 | 72315094 | 4 | SEALING WASHER | DIN 7603 A14X18-CU |
| 7 | 72311244 | 1 | PIPE CLAMP | |
| 8 | 72311788 | 1 | DISC | DIN 125-8,4-ST.A3L |
| 9 | 72355325 | 1 | FUEL LINE | |
| 10 | 72315808 | 3 | BANJO BOLT | DIN 7643-10-3-A3L |
| 11 | 72315094 | 6 | SEALING WASHER | DIN 7603 A14X18-CU |



8555

Fendt

FARMER 260P (246/00001-99999)

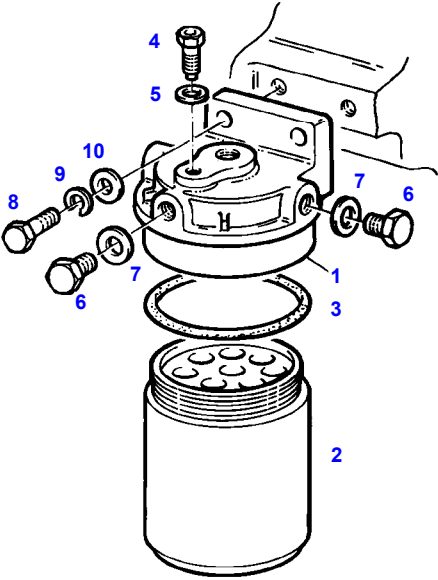
F246000

SHRINK HOSE

Page01-0005

| Item | Part Number | Qty | Description Comments | Technical Specification |
|------|-------------|-----|---|-------------------------|
| | | | RAPE SEED OIL METHYLATED ESTER | |
| 1 | 72436293 | 1 | HEAT SHRINK TUBING 1X 2500 MM CUT TO LENGTH | L=2600 |
| | 72436294 | X | HEAT SHRINK TUBING 1X 3000 MM CUT TO LENGTH | L=3100 |
| | 72436295 | 1 | HEAT SHRINK TUBING 1X 2000 MM CUT TO LENGTH | L=2100 |

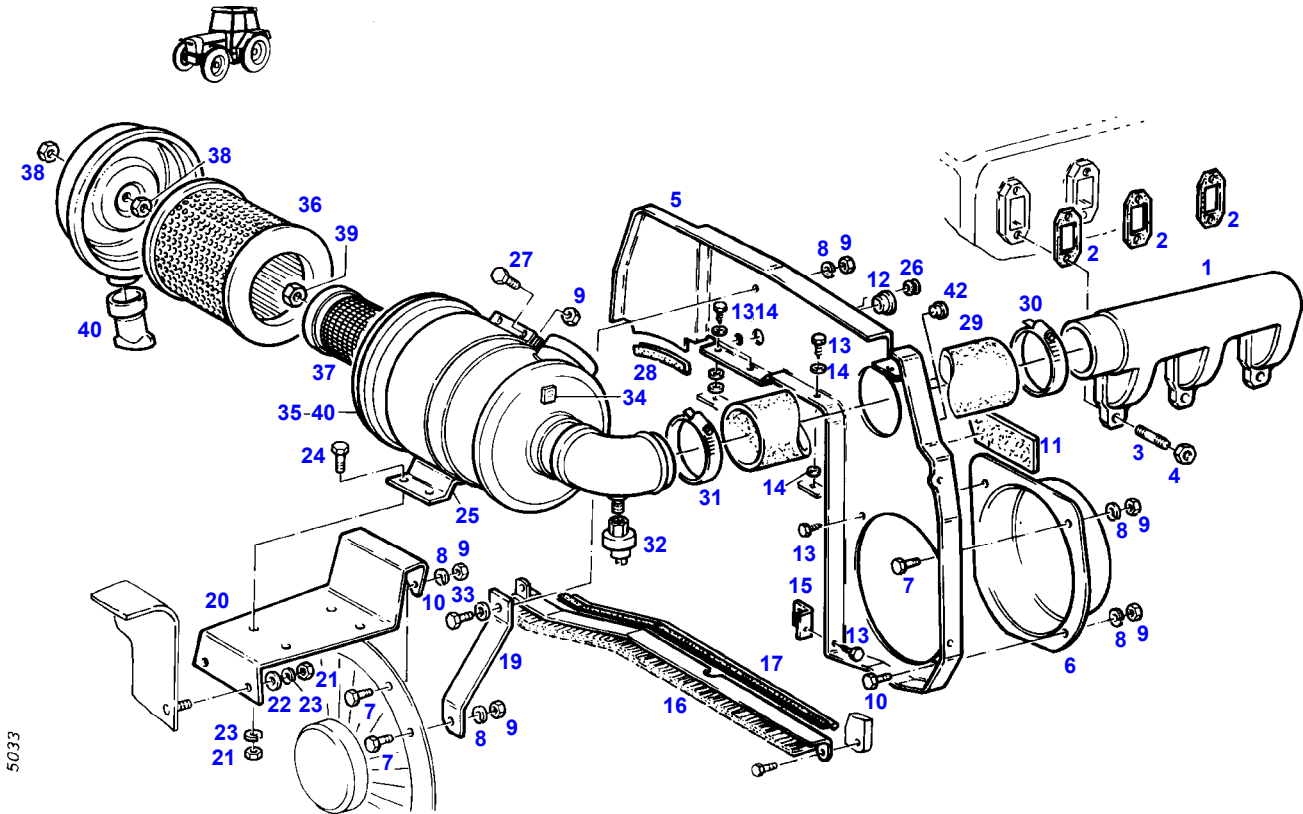
FARMER 260P (246/00001-99999)
5016



5016

| Item | Part Number | Qty | Description Comments | Technical Specification |
|------|-------------|-----|-------------------------|-------------------------|
| 1 | 72329259 | 1 | FILTER ><1-5 | |
| 2 | 72326245 | 1 | FILTER BOX ><2+3 | |
| 3 | 72314995 | 1 | RUBBER RING | |
| 4 | 72380171 | 1 | BLEED SCREW | |
| 5 | 72315084 | 1 | SEALING WASHER | DIN 7603 A6X10-CU |
| 6 | 72315799 | 2 | PLUG | DIN 7604 AM14X1,5-A3L |
| 7 | 72315094 | 2 | SEALING WASHER | DIN 7603 A14X18-CU |
| 8 | 72315653 | 2 | HEXAGONAL HEAD BOLT | DIN 933 M8 X 25-8.8A3L |
| 9 | 72315053 | 2 | SPLIT WASHER | FWN 65208-8-A3L |
| 10 | 72311824 | 2 | DISC | DIN9021-8,4-140HV-A3L |

FARMER 260P (246/00001-99999)
5033



5033

| Item | Part Number | Qty | Description Comments | Technical Specification |
|------|-------------|-----|--|-------------------------|
| | | | --> 246/0232 | |
| 1 | 72323836 | 1 | INTAKE MANIFOLD | |
| 2 | 72431538 | 3 | SEAL REPLACE ALL SEALS | |
| 3 | 72373907 | 6 | STUD BOLT | DIN 835 M8X35-8.8 |
| 4 | 72313268 | 6 | NUT | DIN 934 M8-8A3L |
| 5 | 72358118 | 1 | BARRIER WALL <> | |
| | 72397849 | 2 | PIPE | |
| | 72358131 | 1 | TUBING | |
| | 72358130 | 1 | TUBING | |
| | 72315635 | 2 | HEXAGONAL HEAD BOLT | DIN 933 M6X35-8.8A3L |
| 6 | 72425052 | 1 | COVER | |
| 7 | 72315631 | 4 | HEXAGONAL HEAD BOLT | DIN 933 M6 X 20-8.8A3L |
| 8 | 72315052 | 6 | SPLIT WASHER | FWN 65208-6-A3L |
| 9 | 72313266 | 8 | NUT | DIN 934 M6-8A3L |
| 10 | 72315629 | 2 | HEXAGONAL HEAD BOLT | DIN 933 M6 X 12-8.8A3L |
| 11 | 72397836 | 1 | INSULATING PLATE | |
| 12 | 72314758 | 1 | LOCKING PLUG | SW-F25 |
| 13 | 72315821 | 5 | SCREW | DIN7976-ST6,3X19-C-A3L |
| 14 | 72311787 | 8 | DISC | DIN 125-6,4-ST.A3L |
| 15 | 72397839 | 1 | ANGLE | |
| 16 | 72358113 | 1 | SEALING BRUSH | |
| 17 | 72451235 | 1 | PROTECTIVE STRIP 1X 425 MM CUT TO LENGTH | L=700 FWN 63040 |
| 19 | 72397840 | 1 | BRACE | |
| 20 | 72397833 | 1 | RETAINER | |
| 21 | 72313268 | 6 | NUT | DIN 934 M8-8A3L |
| 22 | 72311788 | 2 | DISC | DIN 125-8,4-ST.A3L |
| 23 | 72315053 | 6 | SPLIT WASHER | FWN 65208-8-A3L |
| 24 | 72315642 | 4 | HEXAGONAL HEAD BOLT | DIN 933 M8 X 16-8.8A3L |
| 25 | 72361211 | 1 | RETAINER | |
| 26 | 72379151 | 1 | CABLE BUSHING | 10X16X20 |
| 27 | 72315633 | 2 | HEXAGONAL HEAD BOLT | DIN 933 M6X25-8.8A3L |
| 28 | 72451141 | 1 | PROTECTIVE STRIP 1X 110 MM CUT TO LENGTH | L=800 FWN 63040 |
| 29 | 72397837 | 1 | HOSE PIECE | |
| 30 | 72311170 | 1 | HOSE CLIP | |
| 31 | 72373528 | 1 | HOSE CLIP | |
| 32 | 72379888 | 1 | MAINTENANCE SWITCH | |
| 33 | 72311812 | 1 | DISC | DIN 1440-8-ST.A3L |
| 34 | 72390689 | 1 | ABSORPTION INDICATOR 1,6 | |
| | 72404957 | 1 | ABSORPTION INDICATOR 1,3 | |
| | 72389314 | 1 | ABSORPTION INDICATOR 1,0 | |
| 35 | 72348836 | 1 | AIR FILTER ><35-40 <> | |
| | 72397842 | 1 | RUBBER ARCH | |
| | 72450420 | 0 | HOSE | L=120 DIN73411-70X5 R |
| | 72358115 | 1 | INTAKE MANIFOLD | |
| | 72339032 | 1 | THREADED SOCKET | |
| | 72373528 | 4 | HOSE CLIP | |
| 36 | 72380181 | 1 | MICRO-STAR INSERT | |
| 37 | 72333112 | 1 | SAFETY INSERT <> | |
| | 72313299 | 1 | NUT | DIN 936-M16X1,5-17H |
| 38 | 72313320 | 2 | NUT | DIN6925-M8-8-A3L |
| 39 | 72333111 | 1 | NUT | |
| 40 | 72332975 | 1 | VALVE | |

Fendt

FARMER 260P (246/00001-99999)

F246000

AIR FILTER

Page01-0007

| Item | Part Number | Qty | Description Comments | Technical Specification |
|------|-------------|-----|-------------------------|-------------------------|
| 42 | 72314744 | 2 | LOCKING PLUG | F4 |

| Item | Part Number | Qty | Description Comments | Technical Specification |
|------|-------------|-----|--|-------------------------|
| | | | <-- 246/0233 | |
| 1 | 72323836 | 1 | INTAKE MANIFOLD | |
| 2 | 72431538 | 3 | SEAL REPLACE ALL SEALS | |
| 3 | 72373907 | 6 | STUD BOLT | DIN 835 M8X35-8.8 |
| 4 | 72313268 | 6 | NUT | DIN 934 M8-8A3L |
| 8 | 72313266 | 8 | NUT | DIN 934 M6-8A3L |
| 9 | 72315052 | 6 | SPLIT WASHER | FWN 65208-6-A3L |
| 10 | 72315631 | 4 | HEXAGONAL HEAD BOLT | DIN 933 M6 X 20-8.8A3L |
| 11 | 72315629 | 2 | HEXAGONAL HEAD BOLT | DIN 933 M6 X 12-8.8A3L |
| 12 | 72311812 | 1 | DISC | DIN 1440-8-ST.A3L |
| 13 | 72425052 | 1 | COVER | |
| 14 | 72315821 | 5 | SCREW | DIN7976-ST6,3X19-C-A3L |
| 15 | 72397839 | 1 | ANGLE | |
| 16 | 72314744 | 2 | LOCKING PLUG F4 | F4 |
| 17 | 72314758 | 1 | LOCKING PLUG F25 | SW-F25 |
| 18 | 72397836 | 1 | INSULATING PLATE | |
| 19 | 72379151 | 1 | CABLE BUSHING | 10X16X20 |
| 20 | 72358118 | 1 | BARRIER WALL -->246/0361 <> <> | |
| | 72358130 | 1 | TUBING | |
| | 72358131 | 1 | TUBING | |
| | 72397849 | 2 | PIPE | |
| | 72315635 | 2 | HEXAGONAL HEAD BOLT | DIN 933 M6X35-8.8A3L |
| 21 | 72451141 | 1 | PROTECTIVE STRIP 1X 110 MM CUT TO LENGTH | L=800 FWN 63040 |
| 22 | 72311787 | 8 | DISC | DIN 125-6,4-ST.A3L |
| 25 | 72451235 | 1 | PROTECTIVE STRIP 1X 425 MM CUT TO LENGTH | L=700 FWN 63040 |
| 26 | 72358113 | 1 | SEALING BRUSH | |
| 28 | 72397840 | 1 | BRACE | |
| 29 | 72397833 | 1 | RETAINER | |
| 30 | 72313268 | 6 | NUT | DIN 934 M8-8A3L |
| 31 | 72315053 | 6 | SPLIT WASHER | FWN 65208-8-A3L |
| 32 | 72311788 | 2 | DISC | DIN 125-8,4-ST.A3L |
| 33 | 72315642 | 4 | HEXAGONAL HEAD BOLT | DIN 933 M8 X 16-8.8A3L |
| 34 | 72358116 | 1 | RETAINER | |
| 35 | 72397841 | 1 | CLAMP | |
| 36 | 72315633 | 2 | HEXAGONAL HEAD BOLT | DIN 933 M6X25-8.8A3L |
| 40 | 72450420 | 1 | HOSE 1X 80 MM CUT TO LENGTH | L=120 DIN73411-70X5 R |
| 41 | 72373528 | 4 | HOSE CLIP | |
| 42 | 72358115 | 1 | INTAKE MANIFOLD | |
| 43 | 72379891 | 1 | MAINTENANCE SWITCH | |
| 44 | 72397842 | 1 | RUBBER ARCH | |
| 46 | 72390689 | 1 | ABSORPTION INDICATOR 1,6 | |
| | 72404957 | 1 | ABSORPTION INDICATOR 1,3 | |
| | 72389314 | 1 | ABSORPTION INDICATOR 1,0 | |
| 50 | 72348836 | 1 | AIR FILTER ><50-56 | |
| 51 | 72333112 | 1 | SAFETY INSERT <> | |
| | 72313299 | 1 | NUT | DIN 936-M16X1,5-17H |
| 52 | 72380181 | 1 | MICRO-STAR INSERT | |



Suggest:

For more complete manuals. Please go to the home page.

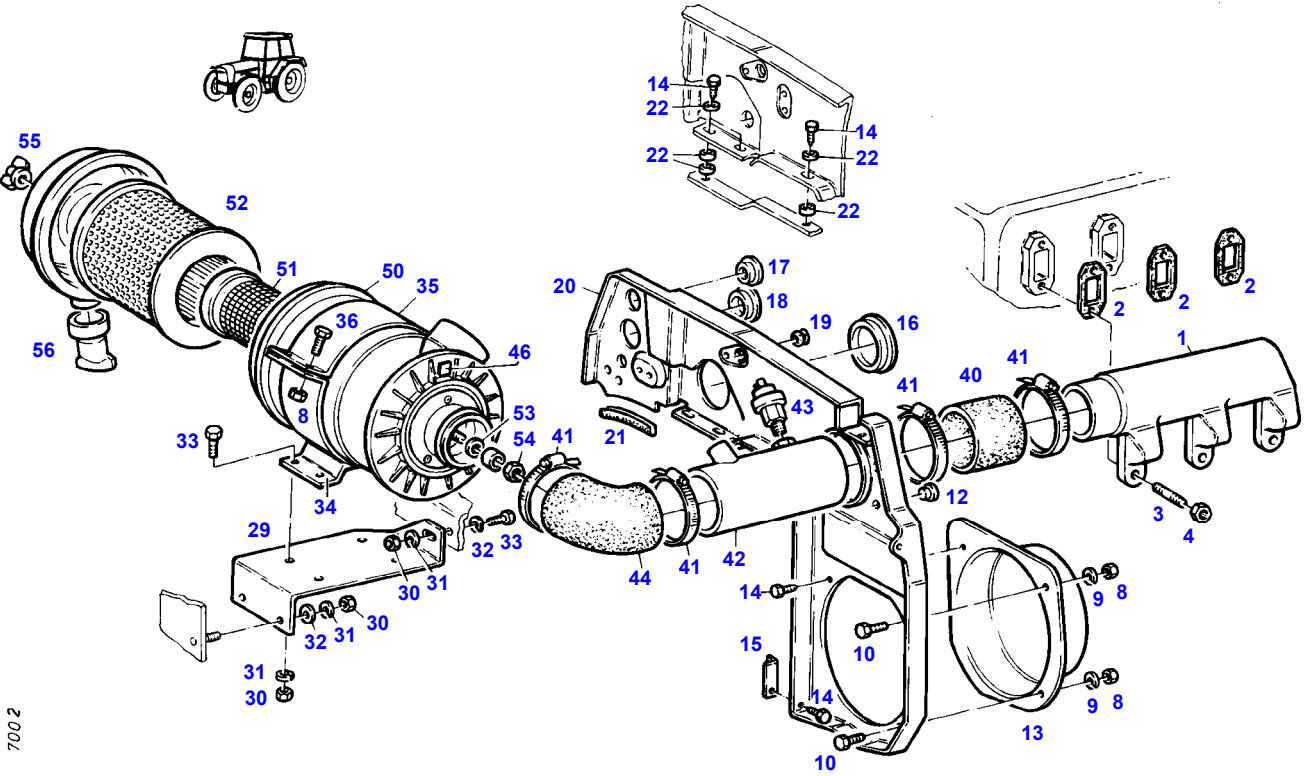
<https://www.ebooklibonline.com>

If the above button click is invalid. Please download this document first, and then click the above link to download the complete manual.

Thank you so much for reading

| Item | Part Number | Qty | Description Comments | Technical Specification |
|-------------|--------------------|------------|---------------------------------|--------------------------------|
| 53 | 72379537 | 1 | DISK SPRING <--246/0395 | DIN 2093 A16 |
| 54 | 72313320 | 1 | NUT | DIN6925-M8-8-A3L |
| 55 | 72333111 | 1 | NUT -->246/0394 | |
| | 72333113 | 1 | WING NUT <--246/0395 | |
| | 72431470 | 1 | SPRING NUT <--246/0395 | |
| 56 | 72332975 | 1 | VALVE | |

FARMER 260P (246/00001-99999)
7002



7002

<https://www.ebooklibonline.com>

Hello dear friend!

Thank you very much for reading.

Enter the link into your browser.

The full manual is available for immediate download.

<https://www.ebooklibonline.com>