

TABLE OF CONTENT

Page Number	Page Title	Page Reference
01-000-TOC	ENGINE, FUEL AND EXHAUST SYSTEM	01-000-TOC
02-000-TOC	AXLES	02-000-TOC
03-000-TOC	STEERING SYSTEM	03-000-TOC
04-000-TOC	DRIVE TRAIN SYSTEM	04-000-TOC
05-000-TOC	COMPRESSED AIR SYSTEM	05-000-TOC
06-000-TOC	HYDRAULIC SYSTEM	06-000-TOC
07-000-TOC	ELECTRICAL SYSTEM	07-000-TOC
08-000-TOC	CAB	08-000-TOC
09-000-TOC	AIR CONDITIONING AND HEATING SYSTEM	09-000-TOC
10-000-TOC	CHASSIS	10-000-TOC
11-000-TOC	WHEELS	11-000-TOC
12-000-TOC	IMPLEMENT LIFT SYSTEM FRONT	12-000-TOC
13-000-TOC	IMPLEMENT LIFT SYSTEM REAR	13-000-TOC
14-000-TOC	FRONT/REAR LOADERS	14-000-TOC
15-000-TOC	ATTACHMENTS	15-000-TOC
16-000-TOC	ACCESSORIES	16-000-TOC

FUEL TANK

Item	Part Number	Qty	Description Comments	Technical Specification
1	72348833	1	FUEL TANK <-- G210.202.060.011 1X CUT TO LENGTH <>	
	72424096	1	REDUCING STUD	GRS8-6
	72429641	1	PLATE	
	72315462	4	SOCKET HEAD BOLT	DIN 912 M6X12-8.8A3L
	72450302	1	PRESSURE HOSE	L=1000
	72313434	4	O-RING	15,3X2,4-NBR 70-FWN56402
	72438345	2	HOSE CLIP	
2	72433112	1	STRAINER	60X100-MS
3	72380143	1	FUEL CAP KOEHLER ><4	M.BELUEF
	72348297	1	FUEL CAP LOCKABLE BLAU ><4+5	
4	72330725	1	SEAL BLAU	
	72312304	1	RUBBER SEAL KOEHLER	
5	72330726	1	SEAL	
8	72391503	1	BAND	
9	72391504	2	BAND	
10	72391501	2	BAND CLAMP	
11	72315657	2	HEXAGONAL HEAD BOLT	DIN 933 M8 X 30-8.8A3L
12	72313320	2	NUT	DIN6925-M8-8-A3L
13	72311789	2	DISC	DIN 125-10,5-ST.A3L
14	72311788	2	DISC	DIN 125-8,4-ST.A3L
15	72313268	2	NUT	DIN 934 M8-8A3L
16	72380146	1	FUEL LEVEL SENSOR ><17	
17	72315169	1	SEALING WASHER	
18	72354745	1	TANK SUPPORT	
19	72391502	1	BAND	
20	72315642	4	HEXAGONAL HEAD BOLT	DIN 933 M8 X 16-8.8A3L
21	72317121	4	SPRING WASHER	DIN 137 B8-MECH.VZK
22	72315093	1	SEALING WASHER	DIN 7603 A12X18-CU
23	72315094	1	SEALING WASHER	DIN 7603 A14X18-CU
24	72377531	1	RING HOSE NIPPLE	FWN65910-A-DN8
25	72380159	1	FUEL SHUT-OFF VALVE	
26	72450301	1	PRESSURE HOSE WITH 3 CYLINDER 1000 MM	L=1000
	72435830	1	PRESSURE HOSE WITH 4 CYLINDER 1130 MM CUT TO LENGTH	L=2100
27	72373477	1	HOSE CLIP	
28	72377530	1	RING HOSE NIPPLE	FWN65910-A-DN2
29	72438345	1	HOSE CLIP	
30	72379152	1	CABLE BUSHING	HV1305
32	72450353	1	PRESSURE HOSE 80 MM CUT TO LENGTH	L=200
33	72424096	1	REDUCING STUD	GRS8-6
34	72438345	2	HOSE CLIP	

<https://www.ebooklibonline.com>

Hello dear friend!

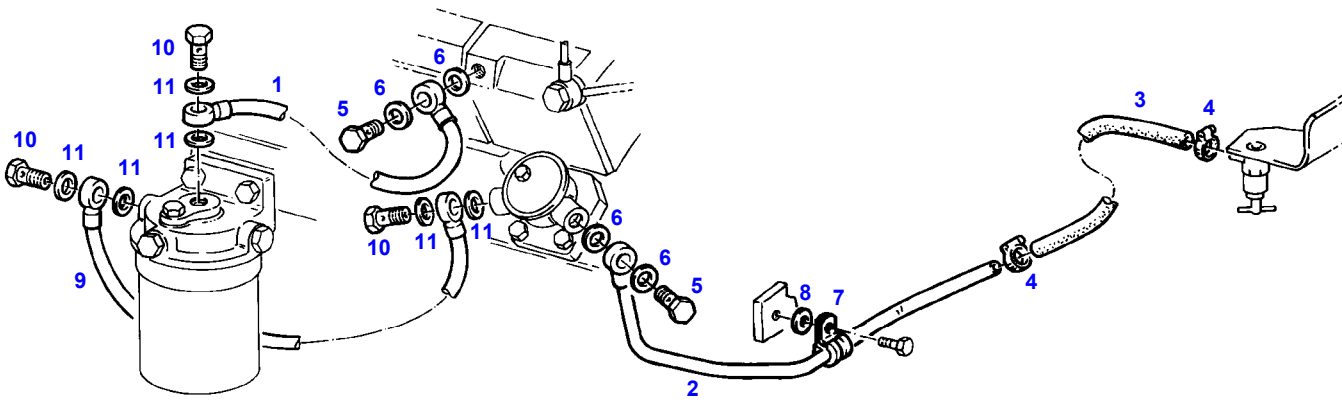
Thank you very much for reading.

Enter the link into your browser.

The full manual is available for immediate download.

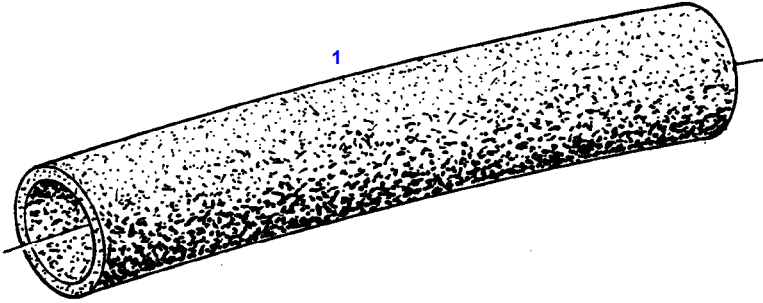
<https://www.ebooklibonline.com>

FARMER 240S (294/00001-99999)
5015



5015

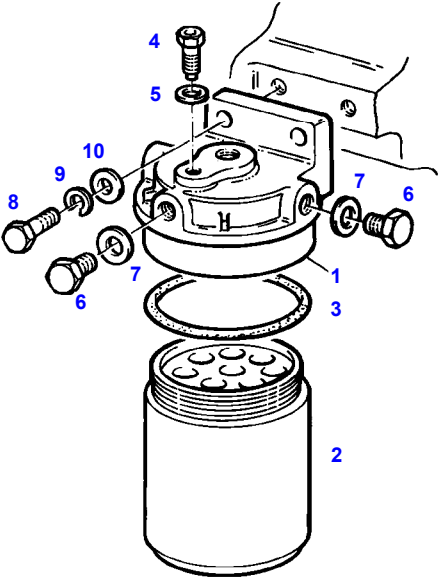
Item	Part Number	Qty	Description Comments	Technical Specification
1	72358112	1	FUEL LINE	
2	72358111	1	FUEL LINE	
3	72450303	1	PRESSURE HOSE 260 MM CUT TO LENGTH	L=1000
4	72438345	2	HOSE CLIP	
5	72315808	2	BANJO BOLT	DIN 7643-10-3-A3L
6	72315094	4	SEALING WASHER	DIN 7603 A14X18-CU
7	72311244	1	PIPE CLAMP	
8	72311788	1	DISC	DIN 125-8,4-ST.A3L
9	72355325	1	FUEL LINE	
10	72315808	3	BANJO BOLT	DIN 7643-10-3-A3L
11	72315094	6	SEALING WASHER	DIN 7603 A14X18-CU



8555

Item	Part Number	Qty	Description Comments	Technical Specification
			RAPE SEED OIL METHYLATED ESTER	
1	72436293	1	HEAT SHRINK TUBING 1X 2500 MM CUT TO LENGTH	L=2600
	72436294	X	HEAT SHRINK TUBING 1X 3000 MM CUT TO LENGTH	L=3100
	72436295	1	HEAT SHRINK TUBING 1X 2000 MM CUT TO LENGTH	L=2100

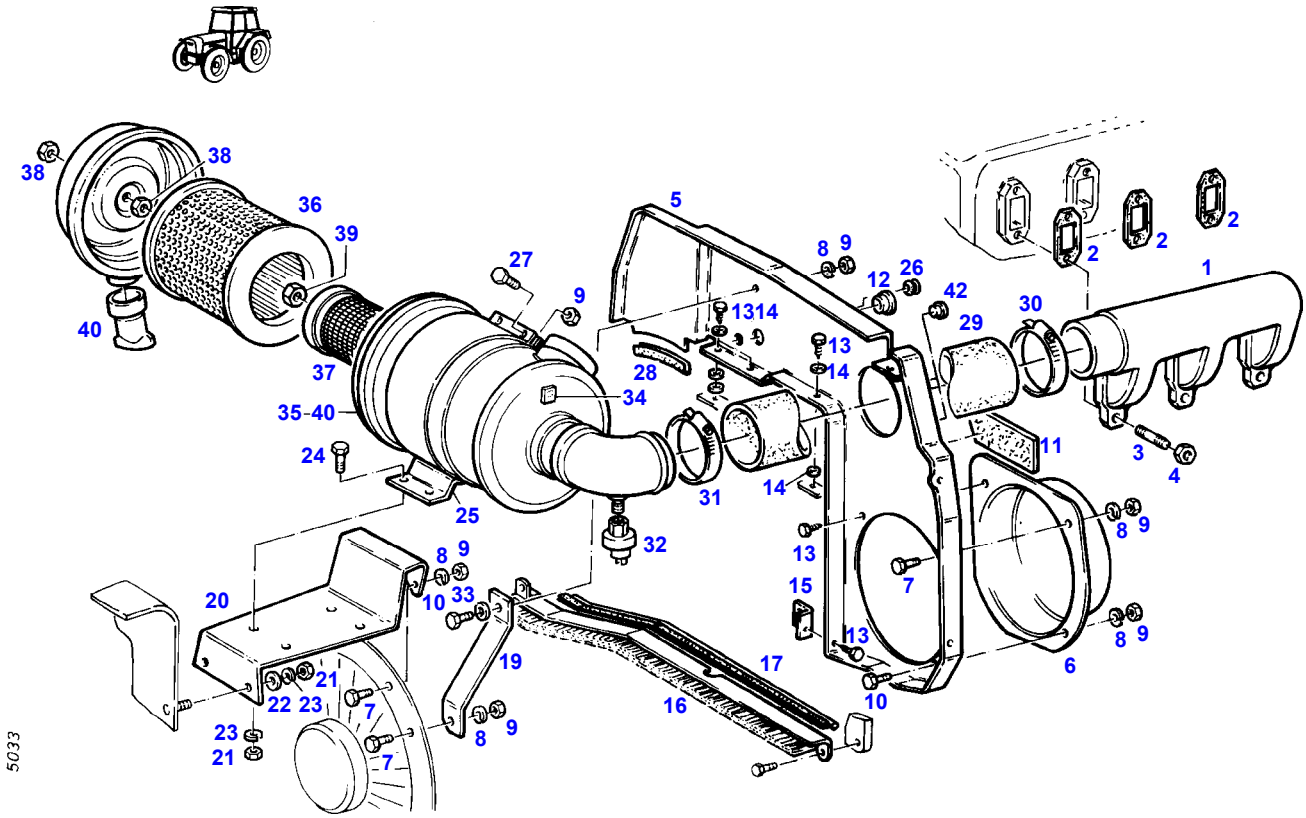
FARMER 240S (294/00001-99999)
5016



5016

Item	Part Number	Qty	Description Comments	Technical Specification
1	72329259	1	FILTER ><1-5	
2	72326245	1	FILTER BOX ><2+3	
3	72314995	1	RUBBER RING	
4	72380171	1	BLEED SCREW	
5	72315084	1	SEALING WASHER	DIN 7603 A6X10-CU
6	72315799	2	PLUG	DIN 7604 AM14X1,5-A3L
7	72315094	2	SEALING WASHER	DIN 7603 A14X18-CU
8	72315653	2	HEXAGONAL HEAD BOLT	DIN 933 M8 X 25-8.8A3L
9	72315053	2	SPLIT WASHER	FWN 65208-8-A3L
10	72311824	2	DISC	DIN9021-8,4-140HV-A3L

FARMER 240S (294/00001-99999)
5033



5033

Item	Part Number	Qty	Description Comments	Technical Specification
			--> 294/0259	
1	72323836	1	INTAKE MANIFOLD	
2	72431538	3	SEAL REPLACE ALL SEALS	
3	72373907	6	STUD BOLT	DIN 835 M8X35-8.8
4	72313268	6	NUT	DIN 934 M8-8A3L
5	72358118	1	BARRIER WALL <>	
	72397849	2	PIPE	
	72358131	1	TUBING	
	72358130	1	TUBING	
	72315635	2	HEXAGONAL HEAD BOLT	DIN 933 M6X35-8.8A3L
6	72425052	1	COVER	
7	72315631	4	HEXAGONAL HEAD BOLT	DIN 933 M6 X 20-8.8A3L
8	72315052	6	SPLIT WASHER	FWN 65208-6-A3L
9	72313266	8	NUT	DIN 934 M6-8A3L
10	72315629	2	HEXAGONAL HEAD BOLT	DIN 933 M6 X 12-8.8A3L
11	72397836	1	INSULATING PLATE	
12	72314758	1	LOCKING PLUG	SW-F25
13	72315821	5	SCREW	DIN7976-ST6,3X19-C-A3L
14	72311787	8	DISC	DIN 125-6,4-ST.A3L
15	72397839	1	ANGLE	
16	72358113	1	SEALING BRUSH	
17	72451235	1	PROTECTIVE STRIP 1X 425 MM CUT TO LENGTH	L=700 FWN 63040
19	72397840	1	BRACE	
20	72397833	1	RETAINER	
21	72313268	6	NUT	DIN 934 M8-8A3L
22	72311788	2	DISC	DIN 125-8,4-ST.A3L
23	72315053	6	SPLIT WASHER	FWN 65208-8-A3L
24	72315642	4	HEXAGONAL HEAD BOLT	DIN 933 M8 X 16-8.8A3L
25	72361211	1	RETAINER	
26	72379151	1	CABLE BUSHING	10X16X20
27	72315633	2	HEXAGONAL HEAD BOLT	DIN 933 M6X25-8.8A3L
28	72451141	1	PROTECTIVE STRIP 1X 110 MM CUT TO LENGTH	L=800 FWN 63040
29	72397837	1	HOSE PIECE	
30	72311170	1	HOSE CLIP	
31	72373528	1	HOSE CLIP	
32	72379888	1	MAINTENANCE SWITCH	
33	72311812	1	DISC	DIN 1440-8-ST.A3L
34	72390689	1	ABSORPTION INDICATOR 1,6	
	72404957	1	ABSORPTION INDICATOR 1,3	
	72389314	1	ABSORPTION INDICATOR 1,0	
35	72348836	1	AIR FILTER ><35-40 <>	
	72397842	1	RUBBER ARCH	
	72450420	0	HOSE	L=120 DIN73411-70X5 R
	72358115	1	INTAKE MANIFOLD	
	72339032	1	THREADED SOCKET	
	72373528	4	HOSE CLIP	
36	72380181	1	MICRO-STAR INSERT	
37	72333112	1	SAFETY INSERT <>	
	72313299	1	NUT	DIN 936-M16X1,5-17H
38	72313320	2	NUT	DIN6925-M8-8-A3L
39	72333111	1	NUT	
40	72332975	1	VALVE	

Fendt

FARMER 240S (294/00001-99999)

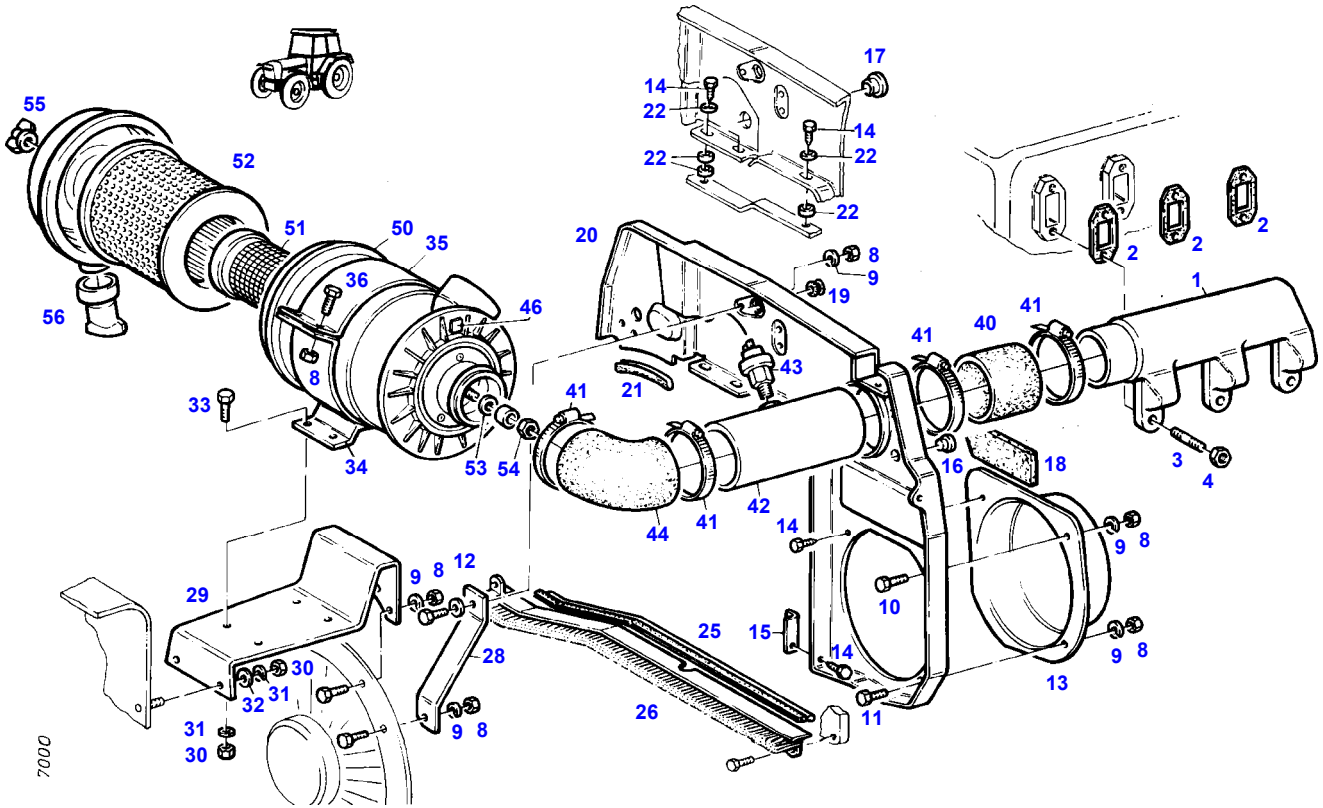
F294000

AIR FILTER

Page01-0007

Item	Part Number	Qty	Description Comments	Technical Specification
42	72314744	2	LOCKING PLUG	F4

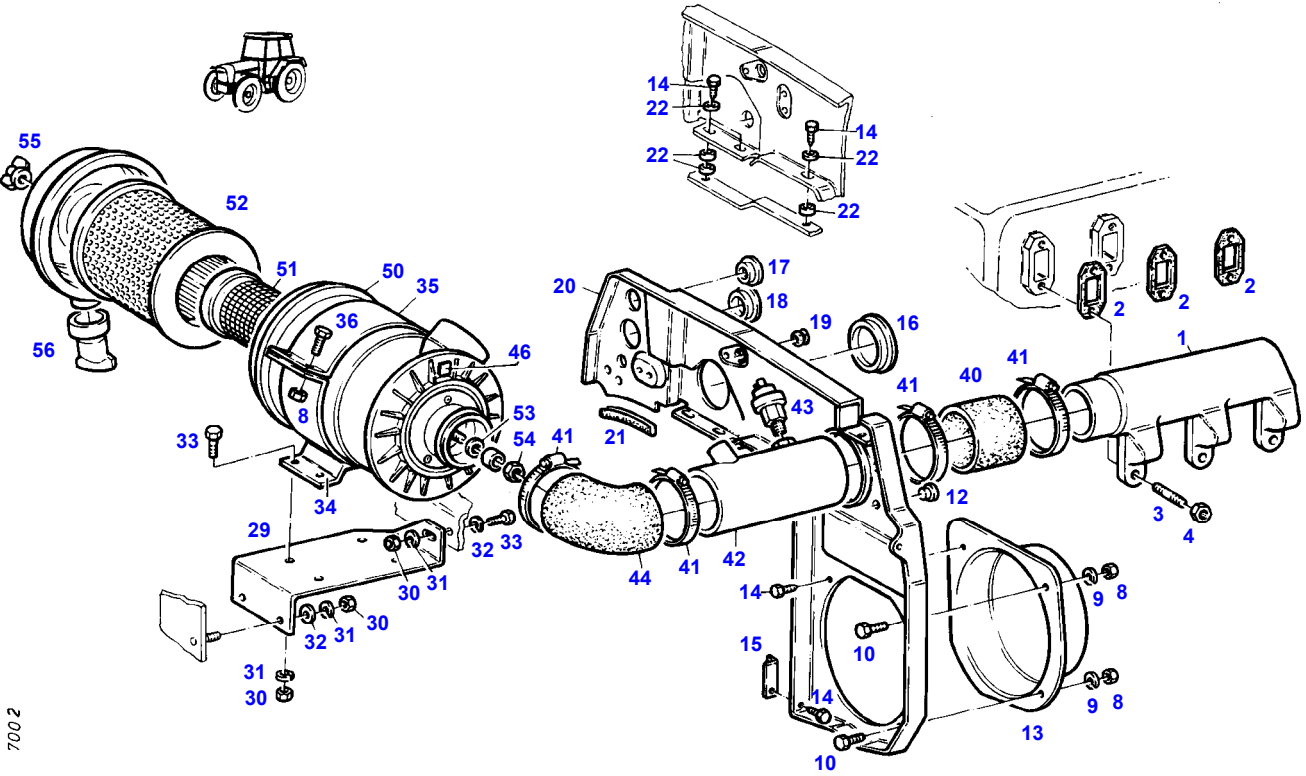
FARMER 240S (294/00001-99999)
7000



Item	Part Number	Qty	Description Comments	Technical Specification
			<-- 294/0260	
1	72323836	1	INTAKE MANIFOLD	
2	72431538	3	SEAL REPLACE ALL SEALS	
3	72373907	6	STUD BOLT	DIN 835 M8X35-8.8
4	72313268	6	NUT	DIN 934 M8-8A3L
8	72313266	8	NUT	DIN 934 M6-8A3L
9	72315052	6	SPLIT WASHER	FWN 65208-6-A3L
10	72315631	4	HEXAGONAL HEAD BOLT	DIN 933 M6 X 20-8.8A3L
11	72315629	2	HEXAGONAL HEAD BOLT	DIN 933 M6 X 12-8.8A3L
12	72311812	1	DISC	DIN 1440-8-ST.A3L
13	72425052	1	COVER	
14	72315821	5	SCREW	DIN7976-ST6,3X19-C-A3L
15	72397839	1	ANGLE	
16	72314744	2	LOCKING PLUG F4	F4
17	72314758	1	LOCKING PLUG F25	SW-F25
18	72397836	1	INSULATING PLATE	
19	72379151	1	CABLE BUSHING	10X16X20
20	72358118	1	BARRIER WALL -->294/0321 <> <>	
	72358130	1	TUBING	
	72358131	1	TUBING	
	72397849	2	PIPE	
	72315635	2	HEXAGONAL HEAD BOLT	DIN 933 M6X35-8.8A3L
21	72451141	1	PROTECTIVE STRIP 1X 110 MM CUT TO LENGTH	L=800 FWN 63040
22	72311787	8	DISC	DIN 125-6,4-ST.A3L
25	72451235	1	PROTECTIVE STRIP 1X 425 MM CUT TO LENGTH	L=700 FWN 63040
26	72358113	1	SEALING BRUSH	
28	72397840	1	BRACE	
29	72397833	1	RETAINER	
30	72313268	6	NUT	DIN 934 M8-8A3L
31	72315053	6	SPLIT WASHER	FWN 65208-8-A3L
32	72311788	2	DISC	DIN 125-8,4-ST.A3L
33	72315642	4	HEXAGONAL HEAD BOLT	DIN 933 M8 X 16-8.8A3L
34	72358116	1	RETAINER	
35	72397841	1	CLAMP	
36	72315633	2	HEXAGONAL HEAD BOLT	DIN 933 M6X25-8.8A3L
40	72450420	1	HOSE 1X 80 MM CUT TO LENGTH	L=120 DIN73411-70X5 R
41	72373528	4	HOSE CLIP	
42	72358115	1	INTAKE MANIFOLD	
43	72379891	1	MAINTENANCE SWITCH	
44	72397842	1	RUBBER ARCH	
46	72390689	1	ABSORPTION INDICATOR 1,6	
	72404957	1	ABSORPTION INDICATOR 1,3	
	72389314	1	ABSORPTION INDICATOR 1,0	
50	72348836	1	AIR FILTER ><50-56	
51	72333112	1	SAFETY INSERT <>	
	72313299	1	NUT	DIN 936-M16X1,5-17H
52	72380181	1	MICRO-STAR INSERT	

Item	Part Number	Qty	Description Comments	Technical Specification
53	72379537	1	DISK SPRING <--294/0336	DIN 2093 A16
54	72313320	1	NUT	DIN6925-M8-8-A3L
55	72333111	1	NUT -->294/0335	
	72333113	1	WING NUT <--294/0336	
	72431470	1	SPRING NUT <--294/0336	
56	72332975	1	VALVE	

FARMER 240S (294/00001-99999)
7002



Item	Part Number	Qty	Description Comments	Technical Specification
AIR SUPPLY EQUIPMENT AND/OR ARI COND.				
1	72323836	1	INTAKE MANIFOLD	
2	72431538	3	SEAL REPLACE ALL SEALS	
3	72373907	6	STUD BOLT	DIN 835 M8X35-8.8
4	72313268	6	NUT	DIN 934 M8-8A3L
8	72313266	4	NUT	DIN 934 M6-8A3L
9	72315052	2	SPLIT WASHER	FWN 65208-6-A3L
10	72315629	2	HEXAGONAL HEAD BOLT	DIN 933 M6 X 12-8.8A3L
12	72314744	2	LOCKING PLUG F4	F4
13	72425052	1	COVER	
14	72315821	5	SCREW	DIN7976-ST6,3X19-C-A3L
15	72397839	1	ANGLE	
16	72402786	1	COVER	
17	72375089	1	LOCKING PLUG F23	F233
18	72314761	1	LOCKING PLUG F31	F31
19	72379152	1	CABLE BUSHING	HV1305
20	72359721	1	BARRIER WALL	
22	72311787	8	DISC	DIN 125-6,4-ST.A3L
29	72400508	1	RETAINER	
30	72313268	7	NUT	DIN 934 M8-8A3L
31	72315053	7	SPLIT WASHER	FWN 65208-8-A3L
32	72311788	2	DISC	DIN 125-8,4-ST.A3L
33	72315642	5	HEXAGONAL HEAD BOLT	DIN 933 M8 X 16-8.8A3L
34	72358116	1	RETAINER	
35	72397841	1	CLAMP	
36	72315633	2	HEXAGONAL HEAD BOLT	DIN 933 M6X25-8.8A3L
40	72450420	1	HOSE 1X 110MM	L=120 DIN73411-70X5 R
41	72373528	4	HOSE CLIP	
42	72359719	1	INTAKE MANIFOLD AIR BRAKING SYSTEM AIR SUPPLY EQUIPMENT WITH ARI CONDITION <>	
	72315797	1	PLUG SCREW	DIN 7604 AM10X1-ST A3L
	72315088	1	SEALING WASHER	DIN 7603 A10X13,5-CU
	72358115	1	INTAKE MANIFOLD AIR CONDITION	
43	72379891	1	MAINTENANCE SWITCH	
44	72397842	1	RUBBER ARCH	
46	72390689	1	ABSORPTION INDICATOR 1,6	
	72404957	1	ABSORPTION INDICATOR 1,3	
	72389314	1	ABSORPTION INDICATOR 1,0	
50	72348836	1	AIR FILTER ><50-56	
51	72333112	1	SAFETY INSERT <>	
	72313299	1	NUT	DIN 936-M16X1,5-17H
52	72380181	1	MICRO-STAR INSERT	
53	72379537	1	DISK SPRING <--294/0336	DIN 2093 A16
54	72313320	1	NUT	DIN6925-M8-8-A3L
55	72333111	1	NUT -->294/0335	
	72333113	1	WING NUT <--294/0336	
	72431470	1	SPRING NUT <--294/0336	

Fendt

FARMER 240S (294/00001-99999)

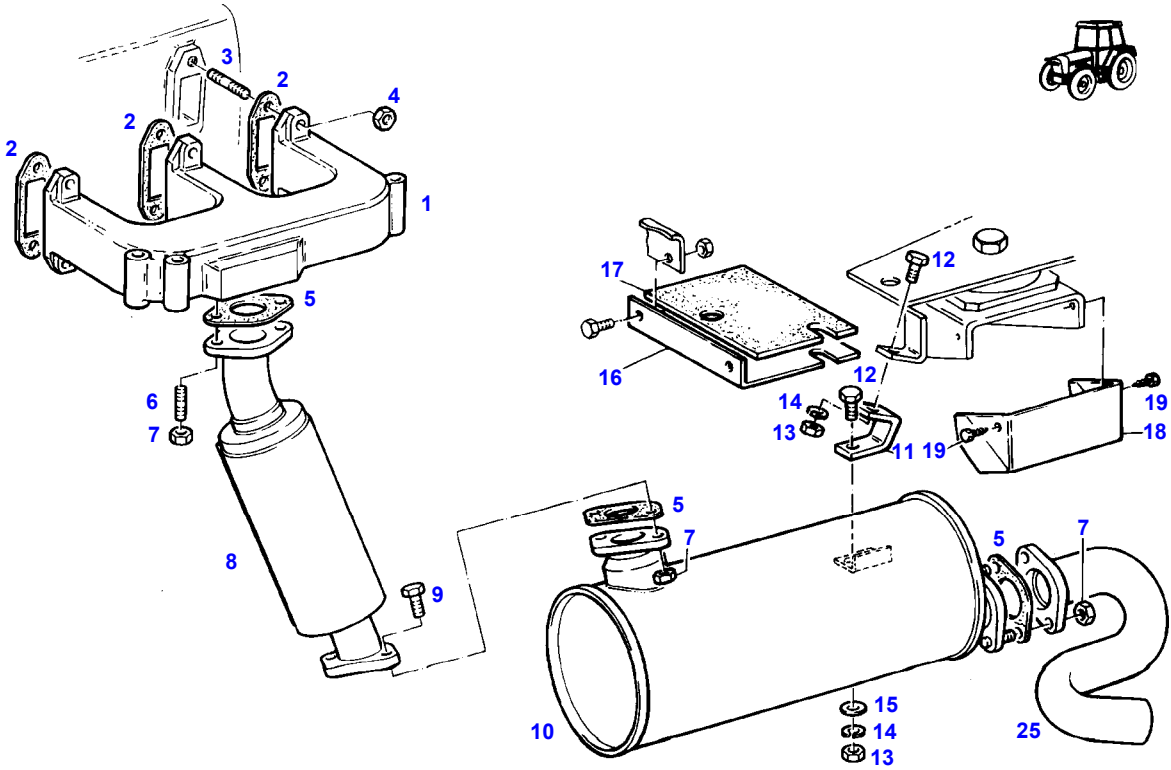
F294000

AIR FILTER

Page01-0009

Item	Part Number	Qty	Description Comments	Technical Specification
56	72332975	1	VALVE	

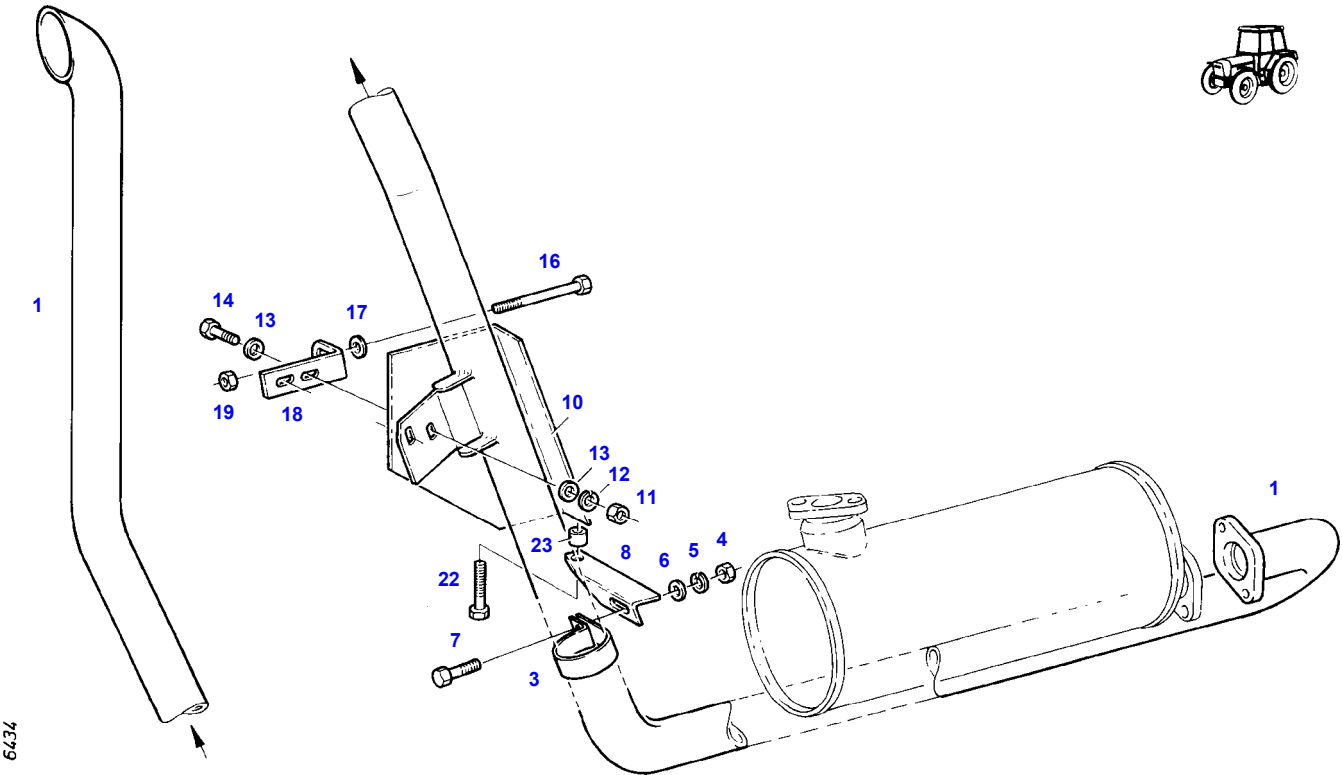
FARMER 240S (294/00001-99999)
5021



5021

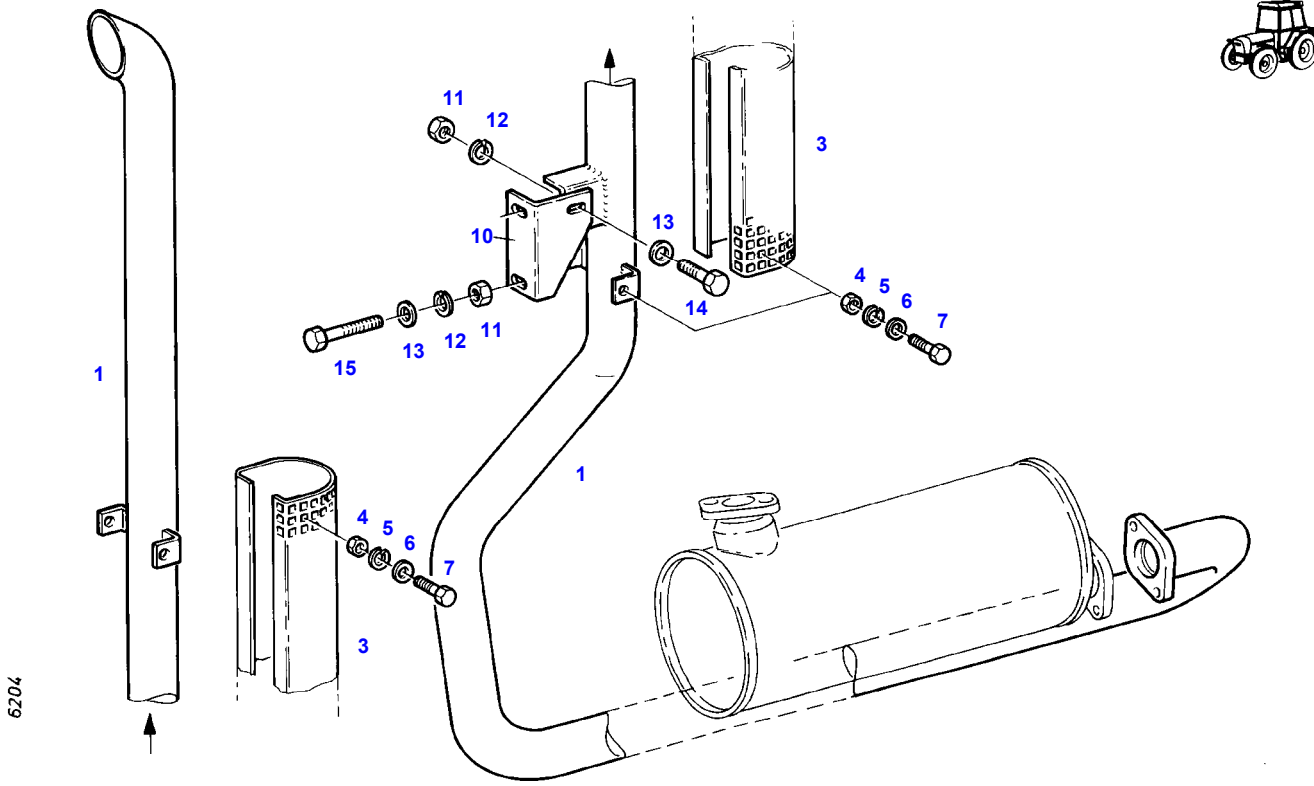
Item	Part Number	Qty	Description Comments	Technical Specification
1	72397848	1	EXHAUST COLLECTING PIPE	
2	72431541	3	SEAL REPLACE ALL SEALS	
3	72373907	6	STUD BOLT	DIN 835 M8X35-8.8
4	72324283	6	NUT	
5	72376173	3	SEAL	DIN71511-56X82X1,5-ST AFM5M.E.
6	72313776	2	STUD BOLT	DIN 939 M10X25-8.8
7	72313273	6	NUT	DIN 934 M10-MS
8	72358122	1	FRONT SILENCER	
	72358123	1	CATALYTIC CONVERTER	
9	72315685	2	HEXAGONAL HEAD BOLT	DIN 933 M10X30-8.8A3L
10	72358124	1	MUFFLER	
11	72397843	1	ANGLE	
12	72315646	2	HEXAGONAL HEAD BOLT	DIN 933 M8X18-8.8A3L
13	72313268	2	NUT	DIN 934 M8-8A3L
14	72315053	2	SPLIT WASHER	FWN 65208-8-A3L
15	72311788	1	DISC	DIN 125-8,4-ST.A3L
16	72397846	1	SPLASH PANEL	
17	72397847	1	INSULATING PLATE	
18	72397845	1	SCREENING SHIELD	
19	72315820	2	SCREW	DIN7976-ST6,3X13-C-A3L
25	72359726	1	TAIL PIPE	

FARMER 240S (294/00001-99999)
6434



Item	Part Number	Qty	Description Comments	Technical Specification
UPRIGHT				
1	72359730	1	TAIL PIPE	
3	72408227	1	CLAMP	
4	72313266	1	NUT	DIN 934 M6-8A3L
5	72315052	1	SPLIT WASHER	FWN 65208-6-A3L
6	72311787	1	DISC	DIN 125-6,4-ST.A3L
7	72315626	1	HEXAGONAL HEAD BOLT	DIN 933-M6 X 16-8.8-A3L
8	72397857	1	ANGLE	
10	72397853	1	SCREENING SHIELD	
	72397855	1	SCREENING SHIELD 77DB(A)	
11	72313268	2	NUT	DIN 934 M8-8A3L
12	72315053	2	SPLIT WASHER	FWN 65208-8-A3L
13	72311788	4	DISC	DIN 125-8,4-ST.A3L
14	72315651	2	HEXAGONAL HEAD BOLT	DIN 933 M8X22-8.8A3L
16	72315701	1	HEXAGONAL HEAD BOLT	DIN 933-M10X120-8.8-A3L
17	72311789	1	DISC	DIN 125-10,5-ST.A3L
18	72400514	1	ANGLE	
19	72313272	1	NUT	DIN 934 M10-8A3L
22	72315665	1	HEXAGONAL HEAD BOLT	DIN 933 M8X45-8.8A3L
23	72316967	1	SPACER TUBE	

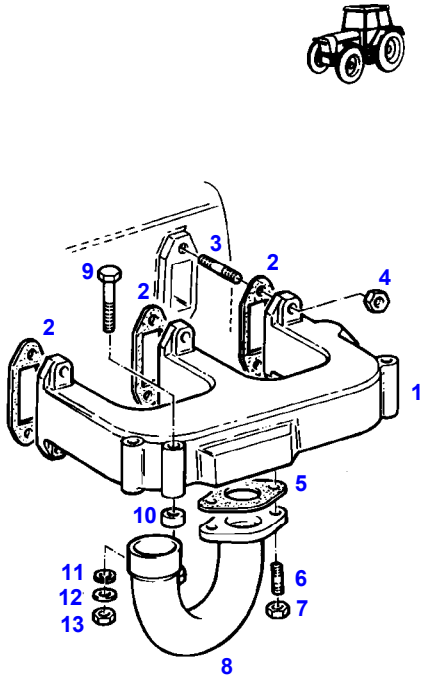
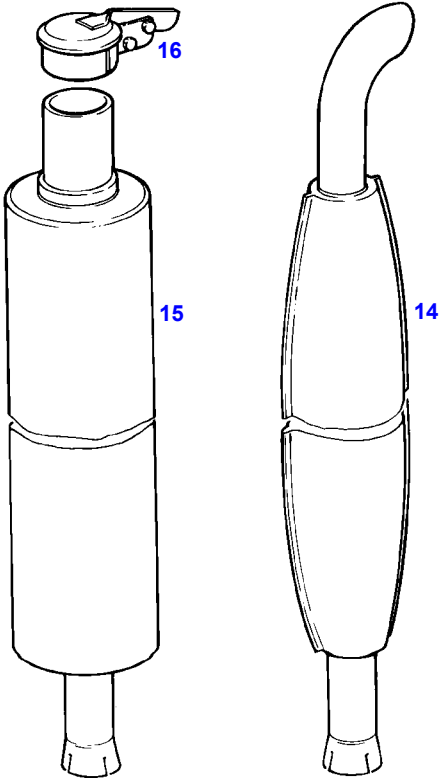
FARMER 240S (294/00001-99999)
6204



6204

Item	Part Number	Qty	Description Comments	Technical Specification
			UPRIGHT	
1	72359728	1	TAIL PIPE	
3	72400513	1	SCREENING SHIELD	
4	72313264	4	NUT	DIN 934 M5-8A3L
5	72315051	4	SPLIT WASHER	FWN 65208-5-A3L
6	72311818	4	DISC	DIN9021-5,3-140HV-A3L
7	72315619	4	HEXAGONAL HEAD BOLT	DIN 933 M5X16-8.8A3L
10	72400512	1	ANGLE	
11	72313268	3	NUT	DIN 934 M8-8A3L
12	72315053	3	SPLIT WASHER	FWN 65208-8-A3L
13	72311788	4	DISC	DIN 125-8,4-ST.A3L
14	72315653	1	HEXAGONAL HEAD BOLT	DIN 933 M8 X 25-8.8A3L
15	72315665	2	HEXAGONAL HEAD BOLT	DIN 933 M8X45-8.8A3L

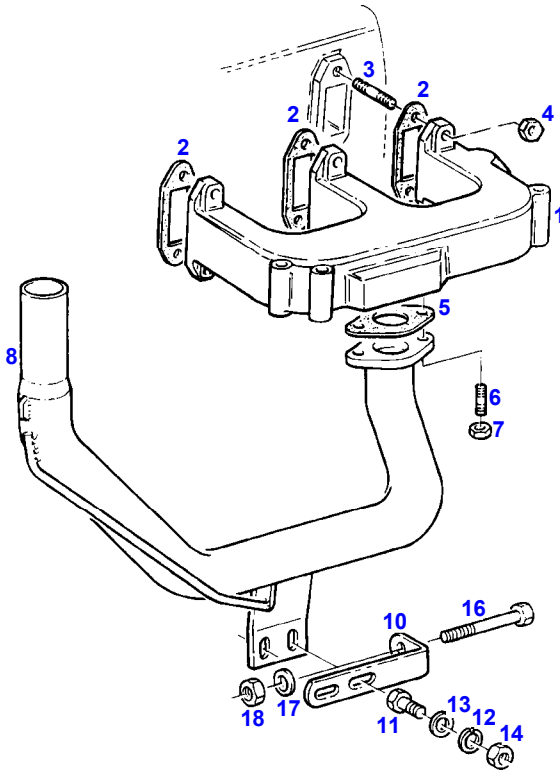
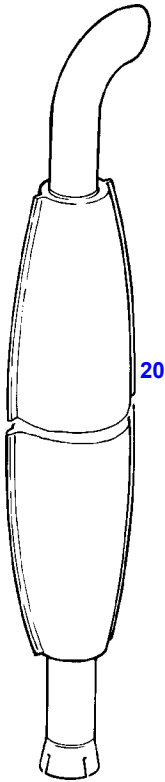
FARMER 240S (294/00001-99999)
5019



5019

Item	Part Number	Qty	Description Comments	Technical Specification
			--> 294/0352	
1	72397848	1	EXHAUST COLLECTING PIPE	
2	72431541	3	SEAL REPLACE ALL SEALS	
3	72373907	6	STUD BOLT	DIN 835 M8X35-8.8
4	72324283	6	NUT	
5	72376173	1	SEAL	DIN71511-56X82X1,5-ST AFM5M.E.
6	72313776	2	STUD BOLT	DIN 939 M10X25-8.8
7	72313273	2	NUT	DIN 934 M10-MS
8	72358125	1	EXHAUST PIPE <-- H205.200.103.010 <> <>	
	72311789	1	DISC	DIN 125-10,5-ST.A3L
	72313268	2	NUT	DIN 934 M8-8A3L
	72315553	1	HEXAGONAL HEAD BOLT	DIN 931 M10X110 GWA-10.9
	72311788	2	DISC	DIN 125-8,4-ST.A3L
	72315651	2	HEXAGONAL HEAD BOLT	DIN 933 M8X22-8.8A3L
	72400514	1	ANGLE	
	72313272	1	NUT	DIN 934 M10-8A3L
	72315053	2	SPLIT WASHER	FWN 65208-8-A3L
9	72315525	1	HEXAGONAL HEAD BOLT	DIN 931 M8 X 90-8.8A3L
10	72315174	1	RING	
11	72311788	1	DISC	DIN 125-8,4-ST.A3L
12	72315053	1	SPLIT WASHER	FWN 65208-8-A3L
13	72313268	1	NUT	DIN 934 M8-8A3L
14	72358126	1	EXHAUST MUFFLER	
15	72354927	1	SPARK ARRESTER ><16 <-- H205.200.101.020	
16	72348659	1	EXHAUST WEATHER CAP	

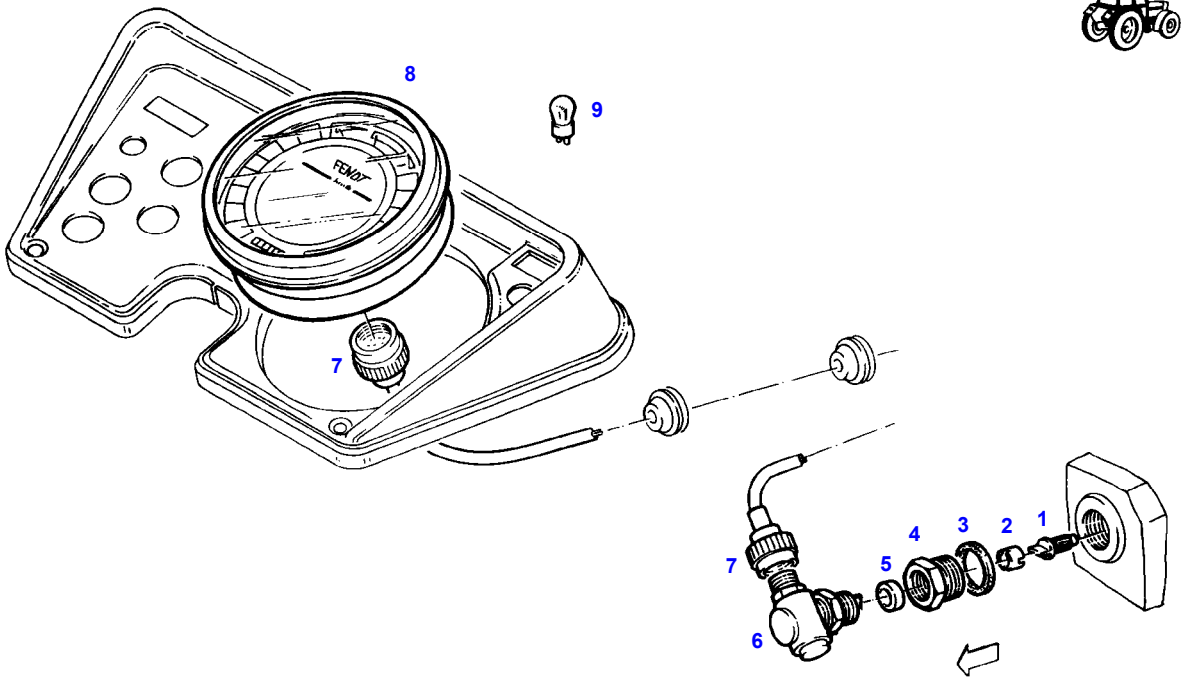
FARMER 240S (294/00001-99999)
10065



10065

Item	Part Number	Qty	Description Comments	Technical Specification
			<-- 294/0353	
1	72397848	1	EXHAUST COLLECTING PIPE	
2	72431541	3	SEAL REPLACE ALL SEALS	
3	72373907	6	STUD BOLT	DIN 835 M8X35-8.8
4	72324283	6	NUT	
5	72376173	1	SEAL	DIN71511-56X82X1,5-ST AFM5M.E.
6	72313776	2	STUD BOLT	DIN 939 M10X25-8.8
7	72313273	2	NUT	DIN 934 M10-MS
8	72358127	1	EXHAUST PIPE	
10	72400514	1	ANGLE	
11	72315651	2	HEXAGONAL HEAD BOLT	DIN 933 M8X22-8.8A3L
12	72315053	2	SPLIT WASHER	FWN 65208-8-A3L
13	72311788	4	DISC	DIN 125-8,4-ST.A3L
14	72313268	2	NUT	DIN 934 M8-8A3L
16	72315553	1	HEXAGONAL HEAD BOLT	DIN 931 M10X110 GWA-10.9
17	72311789	1	DISC	DIN 125-10,5-ST.A3L
18	72313272	1	NUT	DIN 934 M10-8A3L
20	72358126	1	EXHAUST MUFFLER	

FARMER 240S (294/00001-99999)
5013

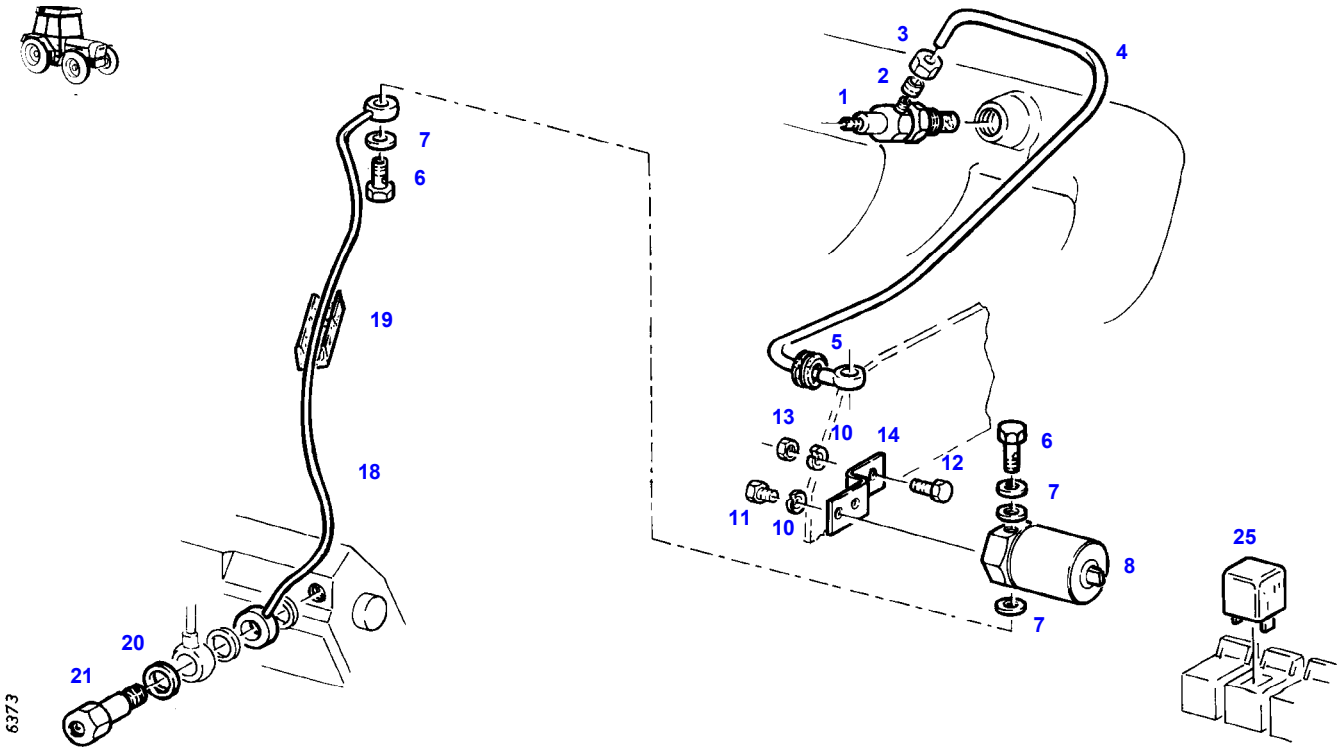


5013

Item	Part Number	Qty	Description Comments	Technical Specification
1	72323885	1	SPIGOT	
2	72324243	1	DRIVER	
3	72376036	1	SEALING WASHER	DIN7603 A24X30-ALU
4	72324020	1	SCREW	
5	72323976	1	RING	
6	72379876	1	BEVEL GEAR SYSTEM	
7	72379883	1	DRIVE SHAFT 995 MM <-- F248.200.160.010	1125LG
8	72379860	1	INSTRUMENT CLUSTER ><8+9	
9	72379261	15	FILAMENT BULB	12V2W

Item	Part Number	Qty	Description Comments	Technical Specification
			--> 294/0321	
1	72433489	1	ROD FLAME GLOW PLUG	
2	72377312	1	DOUBLE V-RING	DIN 3862-6-9SMNPB28K+G
3	72378005	1	CONNECTING NUT	DIN 3870 ALL6-9S20K A3L
4	72358129	1	TUBING	
5	72323527	1	RUBBER MOUNTING	
6	72315806	2	BANJO BOLT	DIN 7643-6-3-A3L
7	72315088	4	SEALING WASHER	DIN 7603 A10X13,5-CU
8	72317090	1	VALVE SOLENOID	
9	72315628	2	HEXAGONAL HEAD BOLT	DIN 933 M6X10-8.8A3L
10	72315052	2	SPLIT WASHER	FWN 65208-6-A3L
11	72358128	1	TUBING	
12	72393741	1	STRAP	
13	72324065	1	VALVE	
14	72315095	1	SEALING WASHER	DIN 7603 A14X20-CU
15	72428226	1	GLOW TIME RELAY	
			<>	
	72433489	1	ROD FLAME GLOW PLUG	

FARMER 240S (294/00001-99999)
6373



6373

Item	Part Number	Qty	Description Comments	Technical Specification
AIR BRAKIN SYSTEM				
1	72433489	1	ROD FLAME GLOW PLUG	
2	72377312	1	DOUBLE V-RING	DIN 3862-6-9SMNPB28K+G
3	72378005	1	CONNECTING NUT	DIN 3870 ALL6-9S20K A3L
4	72359723	1	TUBING	
5	72323527	1	RUBBER MOUNTING	
6	72315806	2	BANJO BOLT	DIN 7643-6-3-A3L
7	72315088	4	SEALING WASHER	DIN 7603 A10X13,5-CU
8	72317090	1	VALVE SOLENOID	
10	72315052	4	SPLIT WASHER	FWN 65208-6-A3L
11	72315628	2	HEXAGONAL HEAD BOLT	DIN 933 M6X10-8.8A3L
12	72315626	2	HEXAGONAL HEAD BOLT	DIN 933-M6 X 16-8.8-A3L
13	72313266	2	NUT	DIN 934 M6-8A3L
14	72400511	1	ANGLE	
18	72359722	1	TUBING	
19	72393741	1	STRAP	
20	72315095	1	SEALING WASHER	DIN 7603 A14X20-CU
21	72324065	1	VALVE	
25	72428226	1	GLOW TIME RELAY	
			<>	
	72433489	1	ROD FLAME GLOW PLUG	



Suggest:

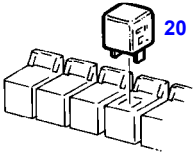
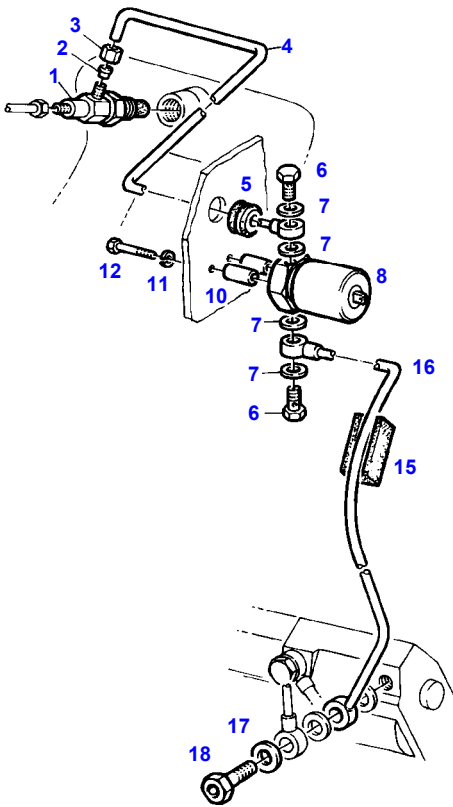
For more complete manuals. Please go to the home page.

<https://www.ebooklibonline.com>

If the above button click is invalid. Please download this document first, and then click the above link to download the complete manual.

Thank you so much for reading

FARMER 240S (294/00001-99999)
7004



7004

Item	Part Number	Qty	Description Comments	Technical Specification
			<-- 294/0322	
1	72433489	1	ROD FLAME GLOW PLUG	
2	72377312	1	DOUBLE V-RING	DIN 3862-6-9SMNPB28K+G
3	72378005	1	CONNECTING NUT	DIN 3870 ALL6-9S20K A3L
4	72358131	1	TUBING	
5	72323527	1	RUBBER MOUNTING	
6	72315806	2	BANJO BOLT	DIN 7643-6-3-A3L
7	72315088	4	SEALING WASHER	DIN 7603 A10X13,5-CU
8	72317090	1	VALVE SOLENOID	
10	72397849	2	PIPE	
11	72315052	2	SPLIT WASHER	FWN 65208-6-A3L
12	72315635	2	HEXAGONAL HEAD BOLT	DIN 933 M6X35-8.8A3L
15	72393741	1	STRAP	
16	72358130	1	TUBING	
17	72315095	1	SEALING WASHER	DIN 7603 A14X20-CU
18	72324065	1	VALVE	
20	72428226	1	GLOW TIME RELAY	
			<>	
	72433489	1	ROD FLAME GLOW PLUG	

<https://www.ebooklibonline.com>

Hello dear friend!

Thank you very much for reading.

Enter the link into your browser.

The full manual is available for immediate download.

<https://www.ebooklibonline.com>