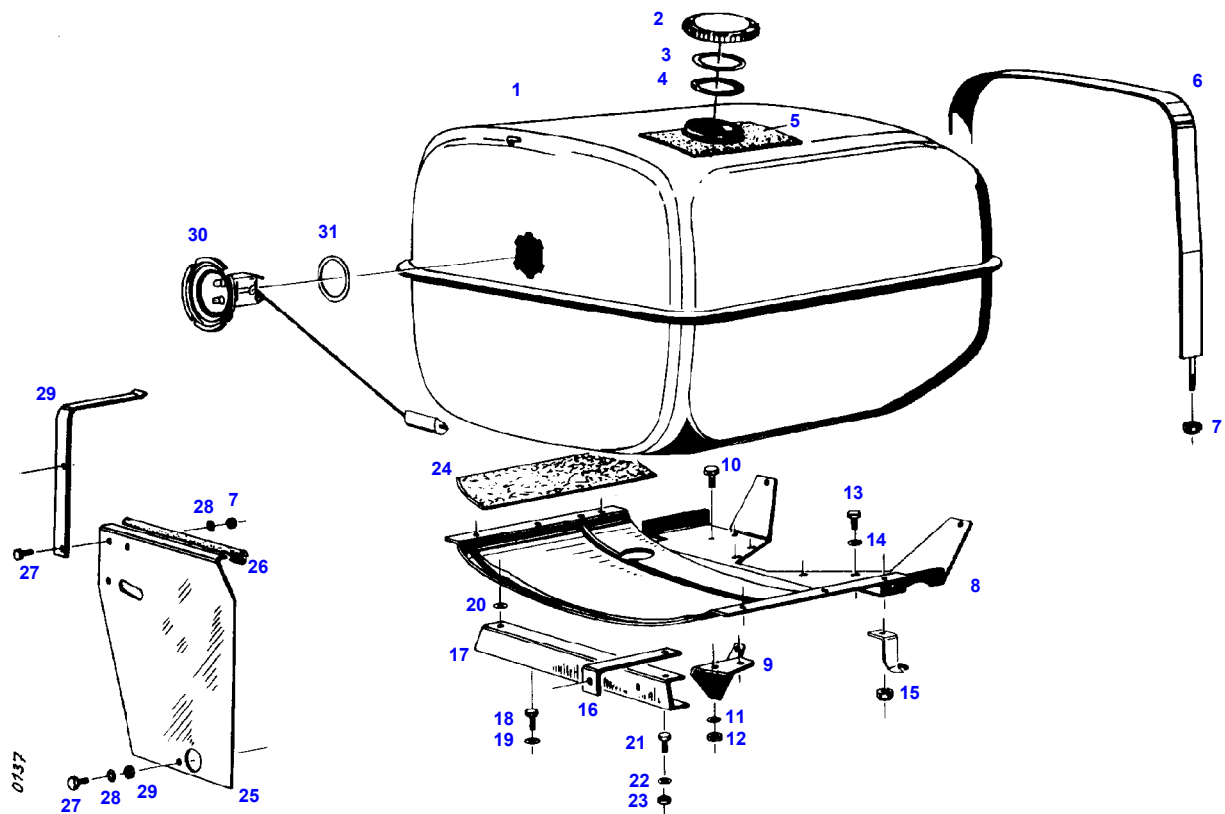


TABLE OF CONTENT

Page Number	Page Title	Page Reference
01-000-TOC	ENGINE, FUEL AND EXHAUST SYSTEM	01-000-TOC
02-000-TOC	AXLES	02-000-TOC
03-000-TOC	STEERING SYSTEM	03-000-TOC
04-000-TOC	DRIVE TRAIN SYSTEM	04-000-TOC
05-000-TOC	COMPRESSED AIR SYSTEM	05-000-TOC
06-000-TOC	HYDRAULIC SYSTEM	06-000-TOC
07-000-TOC	ELECTRICAL SYSTEM	07-000-TOC
08-000-TOC	CAB	08-000-TOC
09-000-TOC	CHASSIS	09-000-TOC
10-000-TOC	WHEELS	10-000-TOC
11-000-TOC	IMPLEMENT LIFT SYSTEM FRONT	11-000-TOC
12-000-TOC	IMPLEMENT LIFT SYSTEM REAR	12-000-TOC
13-000-TOC	FRONT/REAR LOADERS	13-000-TOC
14-000-TOC	ATTACHMENTS	14-000-TOC
15-000-TOC	ACCESSORIES	15-000-TOC

FARMER 108 (278/00001-99999)
137



Item	Part Number	Qty	Description Comments	Technical Specification
1	72359331	1	FUEL TANK --> 278/5981	
	72361712	1	FUEL TANK <-- 278/5982	
	72433112	1	STRAINER NOT ILLUSTRATED <-- 278/10499	60X100-MS
2	72380143	1	FUEL CAP ><2-4	M.BELUEF
	72348297	1	FUEL CAP LOCKABLE ><2-4	
3	72330726	1	SEAL 0,5 MM	
4	72330725	1	SEAL 2,5 MM	
5	72399898	1	RUBBER PLATE	
6	72359332	2	BAND CLAMP	
7	72313266	4	NUT	DIN 934 M6-8A3L
8	72399899	1	TANK TRAY	
	72450974	1	EDGE TRIM 1X 950 MM CUT TO LENGTH NOT ILLUSTRATED	L=1000 FWN 63040 D23
9	72404240	1	MOUNTING ANGLE SHUTTLE TRANSMISSION	
10	72315642	2	HEXAGONAL HEAD BOLT SHUTTLE TRANSMISSION	DIN 933 M8 X 16-8.8A3L
11	72315053	2	SPLIT WASHER SHUTTLE TRANSMISSION	FWN 65208-8-A3L
12	72313268	2	NUT SHUTTLE TRANSMISSION	DIN 934 M8-8A3L
13	72315675	4	HEXAGONAL HEAD BOLT	DIN 933 M10X16-8.8A3L
14	72315054	4	SPLIT WASHER	FWN 65208-10-A3L
15	72313318	4	NUT	DIN6925-M6-8-A3L
16	72404238	1	ANGLE	
17	72404241	1	ANGLE IRON NOT NECESSARY WITH FRONT LOADER	
18	72315642	2	HEXAGONAL HEAD BOLT NOT NECESSARY WITH FRONT LOADER	DIN 933 M8 X 16-8.8A3L
19	72315053	2	SPLIT WASHER NOT NECESSARY WITH FRONT LOADER	FWN 65208-8-A3L
20	72311788	2	DISC	DIN 125-8,4-ST.A3L
21	72315650	2	HEXAGONAL HEAD BOLT	DIN 933 M8 X 20-8.8A3L
22	72315053	2	SPLIT WASHER	FWN 65208-8-A3L
23	72313268	2	NUT NOT NECESSARY WITH FRONT LOADER	DIN 934 M8-8A3L
24	72399900	2	FELT STRIP	
25	72404237	1	BARRIER WALL	
26	72450971	1	SHAPED CORD 1X 230 MM CUT TO LENGTH	L=1000 FWN 63040 C02
27	72315629	2	HEXAGONAL HEAD BOLT --> 278/6316	DIN 933 M6 X 12-8.8A3L
	72315629	1	HEXAGONAL HEAD BOLT <-- 278/6317	DIN 933 M6 X 12-8.8A3L
	72315626	1	HEXAGONAL HEAD BOLT <-- 278/6317	DIN 933-M6 X 16-8.8-A3L
28	72315052	2	SPLIT WASHER	FWN 65208-6-A3L
29	72404239	1	GUSSET PLATE	
30	72613427	1	FUEL LEVEL SENSOR ><31	
31	72315169	1	SEALING WASHER	

<https://www.ebooklibonline.com>

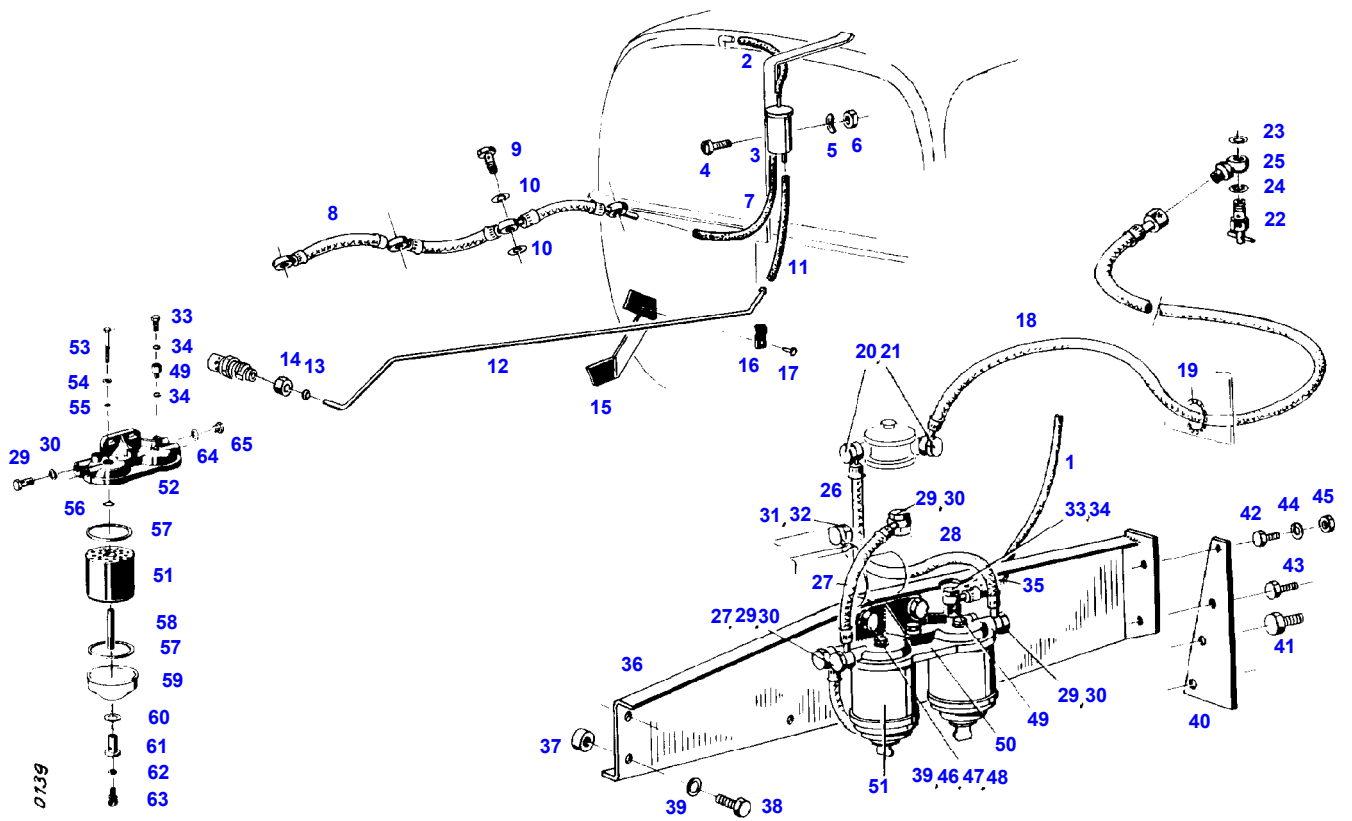
Hello dear friend!

Thank you very much for reading.

Enter the link into your browser.

The full manual is available for immediate download.

<https://www.ebooklibonline.com>



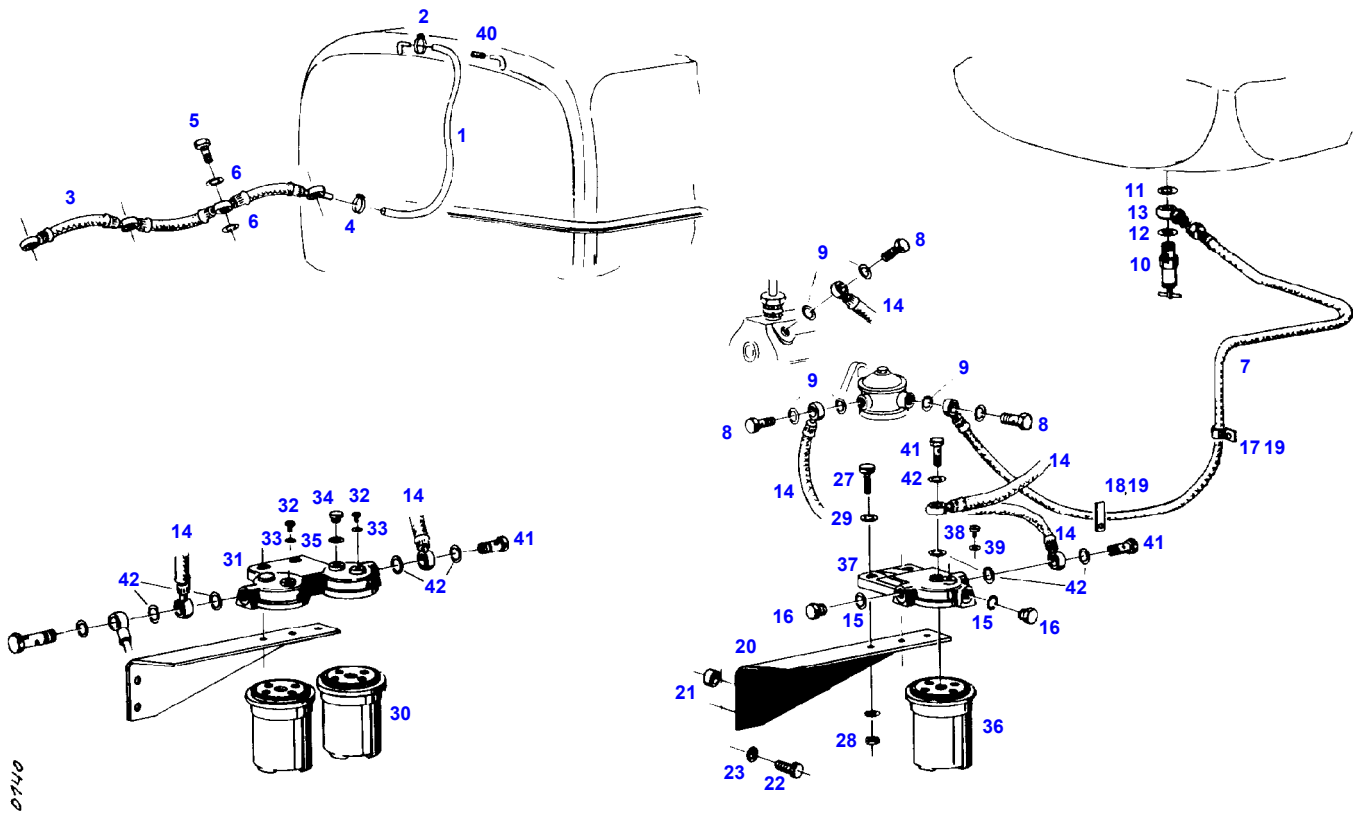
0139

Item	Part Number	Qty	Description Comments	Technical Specification
			--> 278/5408	
1	72361699	1	FUEL LINE	
	72438345	1	HOSE CLIP	
2	72450301	1	PRESSURE HOSE 210 MM CUT TO LENGTH --> 278/4266	L=1000
	72450301	1	PRESSURE HOSE 420 MM CUT TO LENGTH <-- 278/4267	L=1000
	72438345	1	HOSE CLIP	
3	72380142	1	AUXILIARY FUEL TANK --> 278/4266	
			NOT USED <-- 278/4267	
4	72373594	1	SOCKET HEAD BOLT --> 278/4266	DIN 84 M4X12-4.8-A3L
	72315791	1	SCREW --> 278/4266	DIN 7981 ST4,8X19-C-H-A3L
			NOT USED <-- 278/4267	
5	72315050	1	SPLIT WASHER --> 278/4266	FWN 65208-4-A3L
	72311785	1	DISC --> 278/4266	DIN 125-5,3-ST.A3L
			NOT USED <-- 278/4267	
6	72313263	1	NUT --> 278/4266	DIN 934 M4-8A3L
			NOT USED <-- 278/4267	
7	72450301	1	PRESSURE HOSE 250 MM CUT TO LENGTH --> 278/4266	L=1000
			NOT USED <-- 278/4267	
8	72339360	1	LEAKAGE OIL LINE	
	72438345	1	HOSE CLIP NOT ILLUSTRATED	
9	72315809	4	BANJO BOLT	DIN 7643-4-5-A3L
10	72315086	8	SEALING WASHER	DIN 7603 A8X11,5-CU
11	72450301	1	PRESSURE HOSE 140 MM CUT TO LENGTH --> 278/4266	L=1000
	72438345	1	HOSE CLIP NOT USED --> 278/4266 <-- 278/4267	
12	72404244	1	TUBING --> 278/4266	
			NOT USED <-- 278/4267	
13	72380003	1	DOUBLE V-RING --> 278/4266	

Item	Part Number	Qty	Description Comments	Technical Specification
14	72339362	1	NOT USED <-- 278/4267 CONNECTING NUT --> 278/4266	
15	72404245	1	NOT USED <-- 278/4267 RETAINING BRACKET --> 278/4266	
16	72373444	1	NOT USED <-- 278/4267 FASTENING COLLAR --> 278/4266	DIN 72571-1X5-ST.A3L
17	72315789	1	NOT USED <-- 278/4267 SCREW --> 278/4266	DIN 7981 ST4,8X9,5-C-H-A3
18	72361695	1	NOT USED <-- 278/4267 FUEL LINE	
19	72450577	1	EDGE PROTECTION 1X 91 MM CUT TO LENGTH	
20	72315808	2	BANJO BOLT	DIN 7643-10-3-A3L
21	72315094	4	SEALING WASHER	DIN 7603 A14X18-CU
22	72380159	1	FUEL SHUT-OFF VALVE	
23	72315093	1	SEALING WASHER	DIN 7603 A12X18-CU
24	72315094	1	SEALING WASHER	DIN 7603 A14X18-CU
25	72316302	1	NOZZLE	LL10 DIN7641/12.69 A3L
26	72361696	1	FUEL LINE	
27	72361697	1	FUEL LINE	
28	72361698	1	FUEL LINE	
29	72315807	4	BANJO BOLT	DIN 7643-8-3-A3L
30	72315093	8	SEALING WASHER	DIN 7603 A12X18-CU
31	72339379	1	BANJO BOLT	
32	72315086	2	SEALING WASHER	DIN 7603 A8X11,5-CU
33	72339376	1	BANJO BOLT	
34	72315088	3	SEALING WASHER	DIN 7603 A10X13,5-CU
35	72380013	1	EDGE PROTECTION	FLEXIF.
36	72404242	1	FILTER RETAINER	
37	72399913	2	HOLDER	
38	72315689	2	HEXAGONAL HEAD BOLT	DIN 933 M10X35-8.8A3L
39	72315054	4	SPLIT WASHER	FWN 65208-10-A3L
40	72404243	1	RETAINING SHEET METAL	
41	72374490	2	HEXAGONAL HEAD BOLT	DIN 933 M14X20-8.8
42	72315642	1	HEXAGONAL HEAD BOLT --> 278/4266	DIN 933 M8 X 16-8.8A3L
	72315650	1	HEXAGONAL HEAD BOLT <-- 278/4267	DIN 933 M8 X 20-8.8A3L
43	72315650	1	HEXAGONAL HEAD BOLT	DIN 933 M8 X 20-8.8A3L
44	72315053	2	SPLIT WASHER	FWN 65208-8-A3L
45	72313268	2	NUT	DIN 934 M8-8A3L
46	72315689	2	HEXAGONAL HEAD BOLT	DIN 933 M10X35-8.8A3L
47	72372811	2	NUT	DIN 934 M10-10A3L
48	72311789	2	DISC	DIN 125-10,5-ST.A3L
49	72339378	1	BLEED AND DRAIN VALVE	
50	72339361	1	DUAL FUEL FILTER ><51-65 <>	
	72339376	1	BANJO BOLT	
	72315088	1	SEALING WASHER	DIN 7603 A10X13,5-CU
	72315093	6	SEALING WASHER	DIN 7603 A12X18-CU

Item	Part Number	Qty	Description Comments	Technical Specification
	72315807	3	BANJO BOLT	DIN 7643-8-3-A3L
	72339378	1	BLEED AND DRAIN VALVE	
51	72339363	2	FILTER BOX	
52	72339364	1	COVER	
53	72339365	2	CENTER SCREW	
54	72339366	2	SEALING WASHER	
55	72339430	2	PERMANENT REINFORCEMENT	
56	72376423	2	O-RING	14X3-NBR 70 FWN56402
57	72339369	4	SEALING WASHER	
58	72339380	2	ROUND NUT	
59	72380168	2	INSPECTION GLASS	
60	72339372	2	O-RING	
61	72339380	2	ROUND NUT	
62	72339374	2	SEALING WASHER	
63	72339375	2	WING SCREW	
64	72315093	1	SEALING WASHER	DIN 7603 A12X18-CU
65	72339377	1	SCREW	

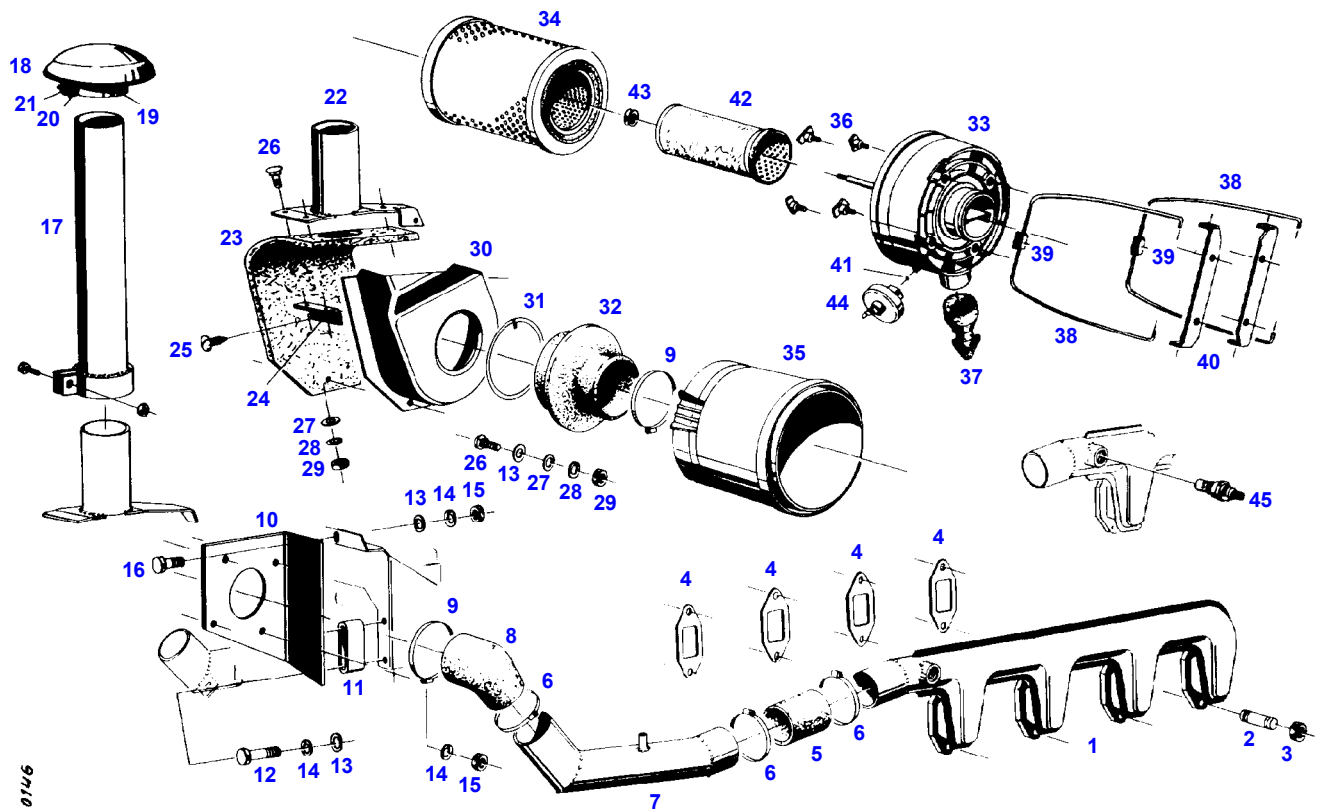
FARMER 108 (278/00001-99999)
140



FUEL LINES

Item	Part Number	Qty	Description Comments	Technical Specification
			<-- 278/5409	
1	72450301	1	PRESSURE HOSE 420 MM CUT TO LENGTH	L=1000
2	72438345	1	HOSE CLIP	
3	72339360	1	LEAKAGE OIL LINE	
4	72438345	1	HOSE CLIP	
5	72315809	4	BANJO BOLT	DIN 7643-4-5-A3L
6	72315086	8	SEALING WASHER	DIN 7603 A8X11,5-CU
7	72361710	1	FUEL LINE	
8	72315808	3	BANJO BOLT	DIN 7643-10-3-A3L
9	72315094	6	SEALING WASHER	DIN 7603 A14X18-CU
10	72380159	1	FUEL SHUT-OFF VALVE	
11	72315093	1	SEALING WASHER	DIN 7603 A12X18-CU
12	72315094	1	SEALING WASHER	DIN 7603 A14X18-CU
13	72316302	1	NOZZLE	LL10 DIN7641/12.69 A3L
14	72365147	2	FUEL LINE --> 278/6316	
	72365147	1	FUEL LINE <-- 278/6317 FUEL PUMP / FUEL FILTER	
	72356760	1	FUEL LINE <-- 278/6317 INJECTION PUMP / FUEL FILTER	
15	72315094	2	SEALING WASHER	DIN 7603 A14X18-CU
16	72315799	2	PLUG	DIN 7604 AM14X1,5-A3L
17	72373452	1	FASTENING COLLAR	DIN 72571-1X15-ST A3L
18	72399911	1	SHEET METAL	
19	72372699	2	SLOTTED PIN	DIN 1476-4X6-ST.A3L
20	72391202	1	MOUNTING ANGLE --> 278/6316	
	72399912	1	RETAINER <-- 278/6317	
21	72399913	2	HOLDER	
22	72315689	2	HEXAGONAL HEAD BOLT	DIN 933 M10X35-8.8A3L
23	72315054	4	SPLIT WASHER	FWN 65208-10-A3L
27	72315689	2	HEXAGONAL HEAD BOLT	DIN 933 M10X35-8.8A3L
28	72372811	2	NUT	DIN 934 M10-10A3L
29	72311789	2	DISC	DIN 125-10,5-ST.A3L
30			NO LONGER AVAILABLE SEE SINGLE PARTS ><30-35 TROPICAL VERSION	
	72326245	2	FILTER BOX	
31	72326249	1	FILTER LID	
32	72323290	2	BLEED SCREW	
33	72315084	2	SEALING WASHER	DIN 7603 A6X10-CU
34	72326250	1	SCREW	
35	72315094	1	SEALING WASHER	DIN 7603 A14X18-CU
36	72326244	1	FILTER ><36-39 <-- F181.200.060.010	
	72326245	1	FILTER BOX	
37	72326247	1	FILTER LID	
38	72323290	1	BLEED SCREW	
39	72315084	1	SEALING WASHER	DIN 7603 A6X10-CU
40			NO LONGER AVAILABLE	
41	72315808	2	BANJO BOLT	DIN 7643-10-3-A3L
42	72315094	5	SEALING WASHER	DIN 7603 A14X18-CU

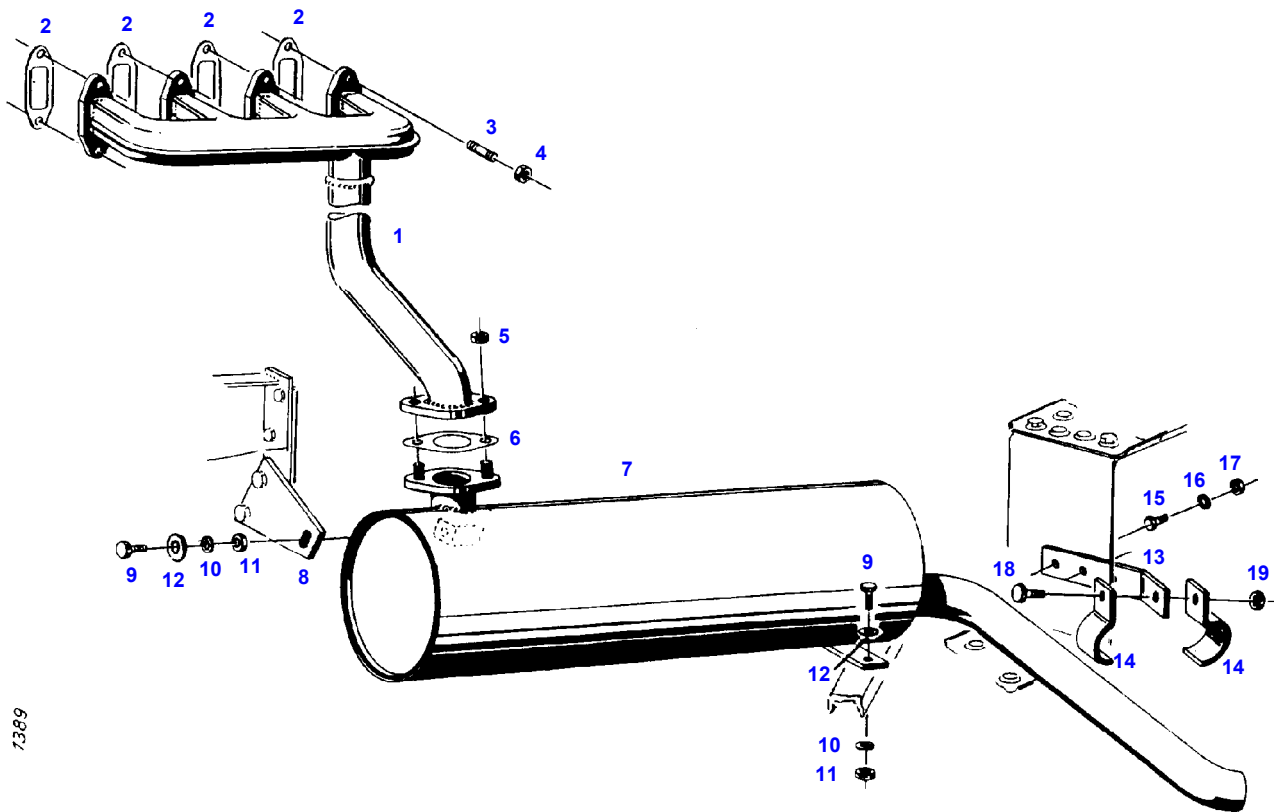
FARMER 108 (278/00001-99999)
146



Item	Part Number	Qty	Description Comments	Technical Specification
1	72339381	1	INTAKE MANIFOLD	
2	72373922	8	STUD BOLT	DIN 835-M10X25-8.8
3	72313272	8	NUT	DIN 934 M10-8A3L
4	72332145	4	MOLDED SEAL	
5	72399914	1	REDUCER	
6	72311170	3	HOSE CLIP	
7	72361700	1	INTAKE MANIFOLD	
	72361700	1	INTAKE MANIFOLD WITH AIR BRAKING SYSTEM <>	
	72404253	1	CONNECTION PIPE	
8	72404248	1	INTAKE BEND	
9	72373528	2	HOSE CLIP	
10	72404246	1	RETAINING BRACKET	
11			NO LONGER AVAILABLE	
12	72374158	2	HEXAGONAL HEAD BOLT	DIN 931 M8X45-8.8
13	72311788	5	DISC	DIN 125-8,4-ST.A3L
14	72315053	7	SPLIT WASHER	FWN 65208-8-A3L
15	72313268	5	NUT	DIN 934 M8-8A3L
16	72315650	1	HEXAGONAL HEAD BOLT	DIN 933 M8 X 20-8.8A3L
17			NO LONGER AVAILABLE	
18	72330730	1	RAIN CAP ><19-21	
19	72328616	1	PIPE CLAMP	
20	72320202	1	SPECIAL SCREW	
21	72372783	1	SQUARE NUT	DIN 557 M6-5 A3L
22	72361701	1	BRACKET	
23	72450563	1	SEALING STRIP 1X 900MM CUT TO LENGTH	15X30 L=2000 OWA W77
24	72404249	1	ANGLE	
25	72315820	1	SCREW	DIN7976-ST6,3X13-C-A3L
	72315821	1	SCREW	DIN7976-ST6,3X19-C-A3L
26	72373806	4	TRUSS HEAD SCREW	DIN 603 M6X16-A3L
	72311824	1	DISC	DIN9021-8,4-140HV-A3L
27	72311787	3	DISC	DIN 125-6,4-ST.A3L
28	72315052	4	SPLIT WASHER	FWN 65208-6-A3L
29	72313266	4	NUT	DIN 934 M6-8A3L
30	72404247	1	AIR INTAKE BOX	
31	72404251	1	STIFFENING RING	
32	72404250	1	BELLOWS	
33	72349621	1	AIR FILTER ><34-42	
34	72339382	1	MICRO-TOP CARTRIDGE	
35	72339384	1	ENGINE HOOD --> 278/1007	
	72339385	1	ENGINE HOOD <-- 278/1008	
36	72328310	4	SCREW	
37	72326122	1	DUST DISCHARGE VALVE	
38	72328222	2	HOLDER ><39	
39	72328313	2	TENSIONING DEVICE	
40	72328309	2	ANGLE	
41	72339386	1	FELT WASHER	
42	72380180	1	SAFETY CARTRIDGE <-- 278/1008	
43	72313268	1	NUT <-- 278/1008	DIN 934 M8-8A3L
44	72316876	1	MAINTENANCE SWITCH <>	
	72379171	0	WIRE	B1 DIN72551/6.51 SCHWARZ
	72380356	1	CABLE LUG	
	72314686	1	PLUG IN SLEEVE	

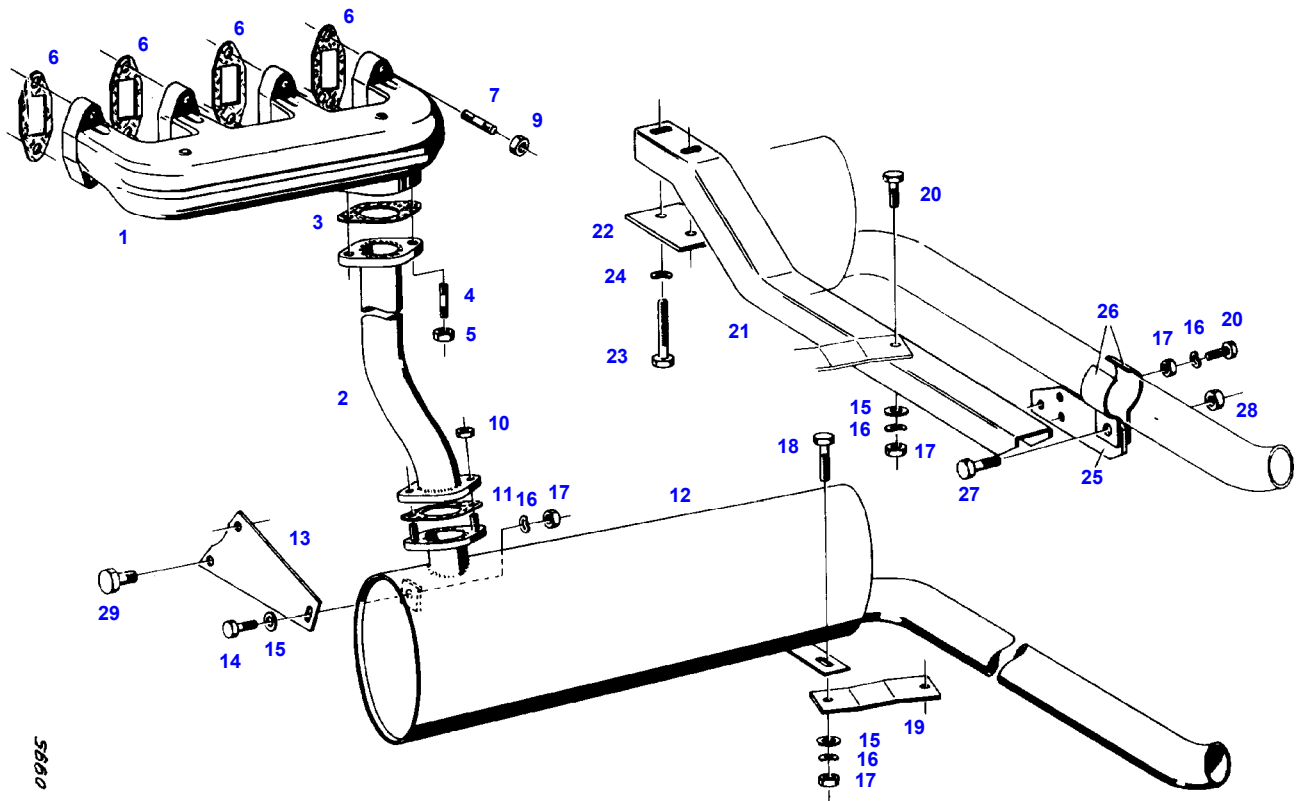
Item	Part Number	Qty	Description Comments	Technical Specification
45			SEE COLD STARTING AID NO LONGER AVAILABLE	
	72399916	1	SCREW NOT ILLUSTRATED <-- 278/5409	
	72315101	1	SEALING WASHER NOT ILLUSTRATED <-- 278/5409	DIN 7603 A22X27-CU

FARMER 108 (278/00001-99999)
1389



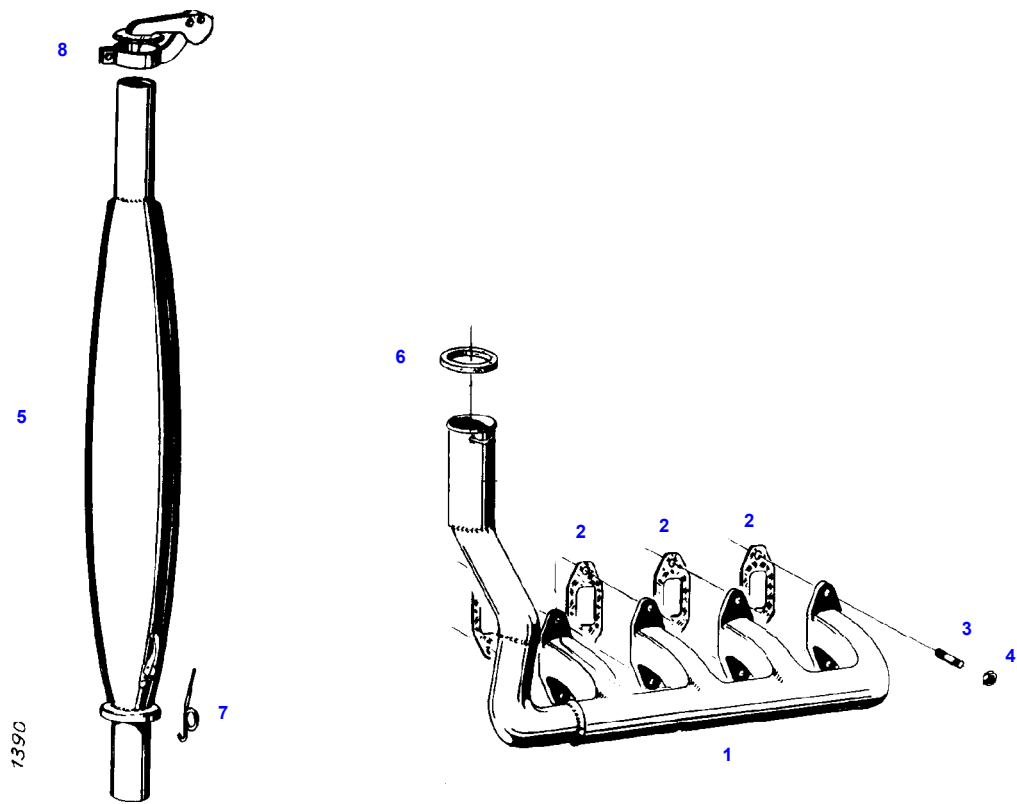
Item	Part Number	Qty	Description Comments	Technical Specification
			108 S	
1	72404255	1	EXHAUST COLLECTING PIPE --> 278/4852 <> <>	
	72313776	2	STUD BOLT	DIN 939 M10X25-8.8
	72313777	8	STUD BOLT	DIN 939 M10X35-8.8
	72361705	1	EXHAUST PIPE	
	72376173	1	SEAL	DIN71511-56X82X1,5-ST AFM5M.E.
	72373015	2	NUT	DIN70615-M10-8-A3B
	72361705	1	EXHAUST PIPE <-- 278/4853	
	72376173	1	SEAL <-- 278/4853	DIN71511-56X82X1,5-ST AFM5M.E.
	72313776	2	STUD BOLT <-- 278/4853	DIN 939 M10X25-8.8
	72373015	2	NUT <-- 278/4853	DIN70615-M10-8-A3B
2	72332145	4	MOLDED SEAL	
3	72313776	8	STUD BOLT --> 278/4266	DIN 939 M10X25-8.8
	72313777	8	STUD BOLT <-- 278/4267	DIN 939 M10X35-8.8
4	72373015	8	NUT	DIN70615-M10-8-A3B
5	72373015	2	NUT	DIN70615-M10-8-A3B
6	72376173	1	SEAL	DIN71511-56X82X1,5-ST AFM5M.E.
7	72361704	1	EXHAUST BOX	
8	72404254	1	RETAINING SHEET METAL	
9	72315646	2	HEXAGONAL HEAD BOLT	DIN 933 M8X18-8.8A3L
10	72315053	2	SPLIT WASHER	FWN 65208-8-A3L
11	72313268	2	NUT	DIN 934 M8-8A3L
12	72311788	2	DISC	DIN 125-8,4-ST.A3L
13	72402043	1	ANGLE	
14	72390121	2	CLAMP	
15	72315630	2	HEXAGONAL HEAD BOLT	DIN 933 M6X18-8.8A3L
16	72315052	2	SPLIT WASHER	FWN 65208-6-A3L
17	72313266	2	NUT	DIN 934 M6-8A3L
18	72315685	1	HEXAGONAL HEAD BOLT	DIN 933 M10X30-8.8A3L
19	72313272	1	NUT	DIN 934 M10-8A3L

FARMER 108 (278/00001-99999)
995



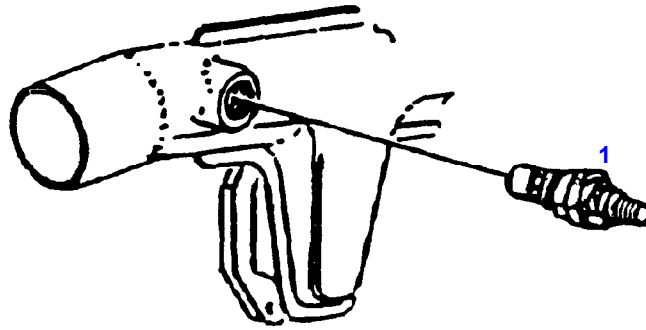
5880

Item	Part Number	Qty	Description Comments	Technical Specification
			108 LS	
1	72404255	1	EXHAUST COLLECTING PIPE --> 278/4852 <> <>	
	72361705	1	EXHAUST PIPE	
	72373015	2	NUT	DIN70615-M10-8-A3B
	72376173	1	SEAL	DIN71511-56X82X1,5-ST AFM5M.E.
	72313776	2	STUD BOLT	DIN 939 M10X25-8.8
2	72361705	1	EXHAUST PIPE <-- 278/4853	
3	72376173	1	SEAL <-- 278/4853	DIN71511-56X82X1,5-ST AFM5M.E.
4	72313776	2	STUD BOLT <-- 278/4853	DIN 939 M10X25-8.8
5	72373015	2	NUT	DIN70615-M10-8-A3B
6	72332145	4	MOLDED SEAL	
7	72313777	8	STUD BOLT	DIN 939 M10X35-8.8
9	72373015	8	NUT	DIN70615-M10-8-A3B
10	72373015	2	NUT	DIN70615-M10-8-A3B
11	72376173	1	SEAL	DIN71511-56X82X1,5-ST AFM5M.E.
12	72361704	1	EXHAUST BOX	
13	72404254	1	RETAINING SHEET METAL	
14	72315642	1	HEXAGONAL HEAD BOLT	DIN 933 M8 X 16-8.8A3L
15	72311788	3	DISC	DIN 125-8,4-ST.A3L
16	72315053	5	SPLIT WASHER	FWN 65208-8-A3L
17	72313268	5	NUT	DIN 934 M8-8A3L
18	72315650	1	HEXAGONAL HEAD BOLT	DIN 933 M8 X 20-8.8A3L
19	72404256	1	WEB	
20	72315653	3	HEXAGONAL HEAD BOLT	DIN 933 M8 X 25-8.8A3L
21	72402048	1	RETAINER RAIL	
22	72389295	1	PLATE	
23	72374215	2	HEXAGONAL HEAD BOLT	DIN 931 M12X65-8.8
24	72315055	2	SPLIT WASHER	FWN 65208-12-A3L
25	72402049	1	PLATE LINK	
26	72390121	2	CLAMP	
27	72315685	1	HEXAGONAL HEAD BOLT	DIN 933 M10X30-8.8A3L
28	72313272	1	NUT	DIN 934 M10-8A3L
29	72374490	2	HEXAGONAL HEAD BOLT	DIN 933 M14X20-8.8



Item	Part Number	Qty	Description Comments	Technical Specification
1	72361706	1	EXHAUST COLLECTING PIPE --> 278/5610	
	72361714	1	EXHAUST COLLECTING PIPE <-- 278/5611	
2	72332145	4	MOLDED SEAL	
3	72313776	8	STUD BOLT	DIN 939 M10X25-8.8
4	72373015	8	NUT	DIN70615-M10-8-A3B
5	72353215	1	EXHAUST MUFFLER --> 278/5610	
	72359347	1	EXHAUST MUFFLER <-- 278/5611	
	72321360	1	CLAMPING FIXTURE NOT ILLUSTRATED	
6	72389300	1	SEAL --> 278/5610	
			NOT USED <-- 278/5611	
7	72389301	2	THREADED HOOK --> 278/5610	
			NOT USED <-- 278/5611	
8	72347590	1	EXHAUST WEATHER CAP	

Item	Part Number	Qty	Description Comments	Technical Specification
1	72326257	1	TRACTOMETER ><1-4 30 KM/H	
	72326258	1	TRACTOMETER ><1-4 25 KM/H	
	72353224	1	EARTH LEAD	
2	72379814	1	LAMP SOCKET	
3	72334852	1	FILAMENT BULB	
4	72376658	1	O-RING	100X3-NBR 70 FWN56402
5	72483813	1	DRIVE SHAFT --> 278/4966	
	72483829	1	DRIVE SHAFT <-- 278/4967	
6	72373448	1	FASTENING COLLAR --> 278/4966	DIN 72571-1X8-ST VZK
			NOT USED <-- 278/4967	
7	72372699	1	SLOTTED PIN --> 278/4966	DIN 1476-4X6-ST.A3L
			NOT USED <-- 278/4967	
8	72334005	1	BEVEL GEAR SYSTEM	
9	72322566	1	NUT	
10	72335527	1	COVER	
11	72376544	1	O-RING	42,2X3-NBR 70 FWN56402
12	72327035	1	DRIVER	
13	72315650	2	HEXAGONAL HEAD BOLT	DIN 933 M8 X 20-8.8A3L
14	72317121	2	SPRING WASHER	DIN 137 B8-MECH.VZK
15	72316916	1	CABLE STRAP NOT ILLUSTRATED	FWN 66650 B175X4-SW



12100

Fendt

FARMER 108 (278/00001-99999)

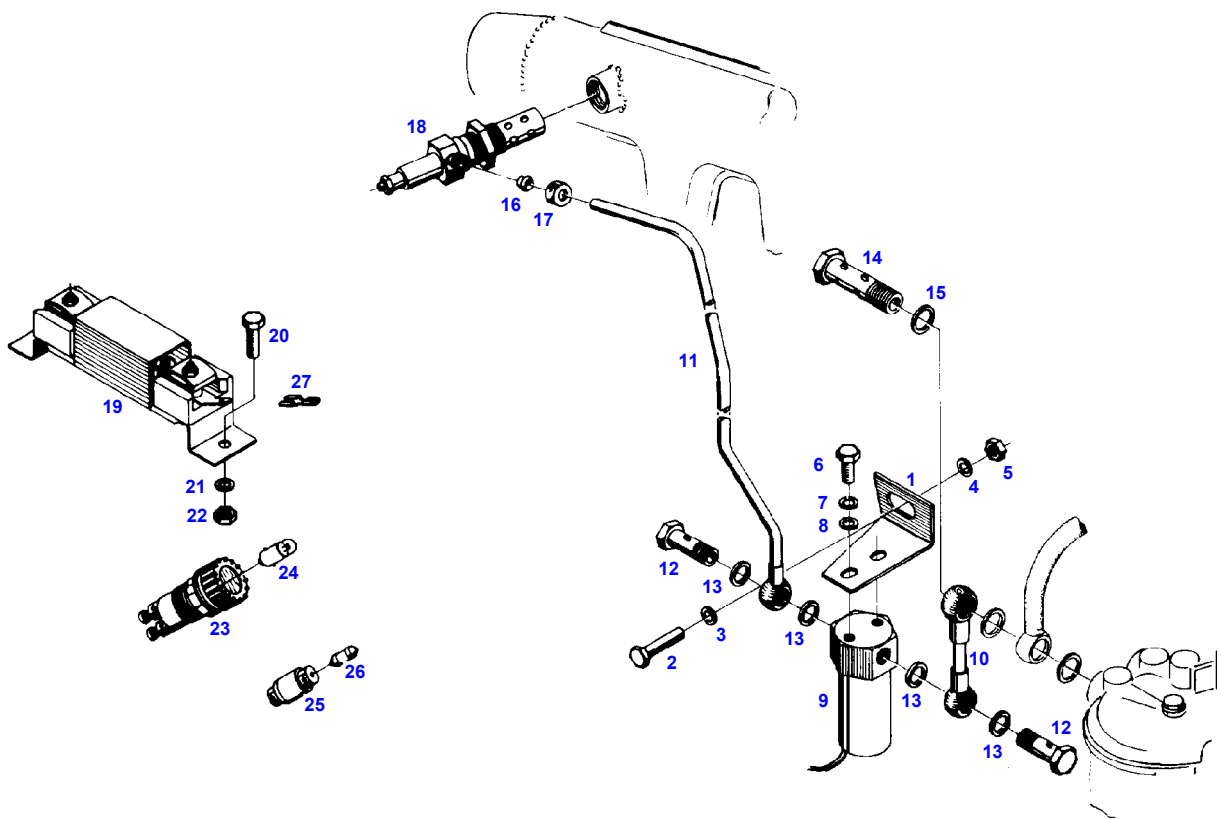
F278000

COLD STARTING AID

Page01-0016

Item	Part Number	Qty	Description Comments
			--> 278/4266
1	72339383	1	FLAME GLOW PLUG <-- 9071.406.110 1X REMACHINING MAY BE REQUIRED TO FIT

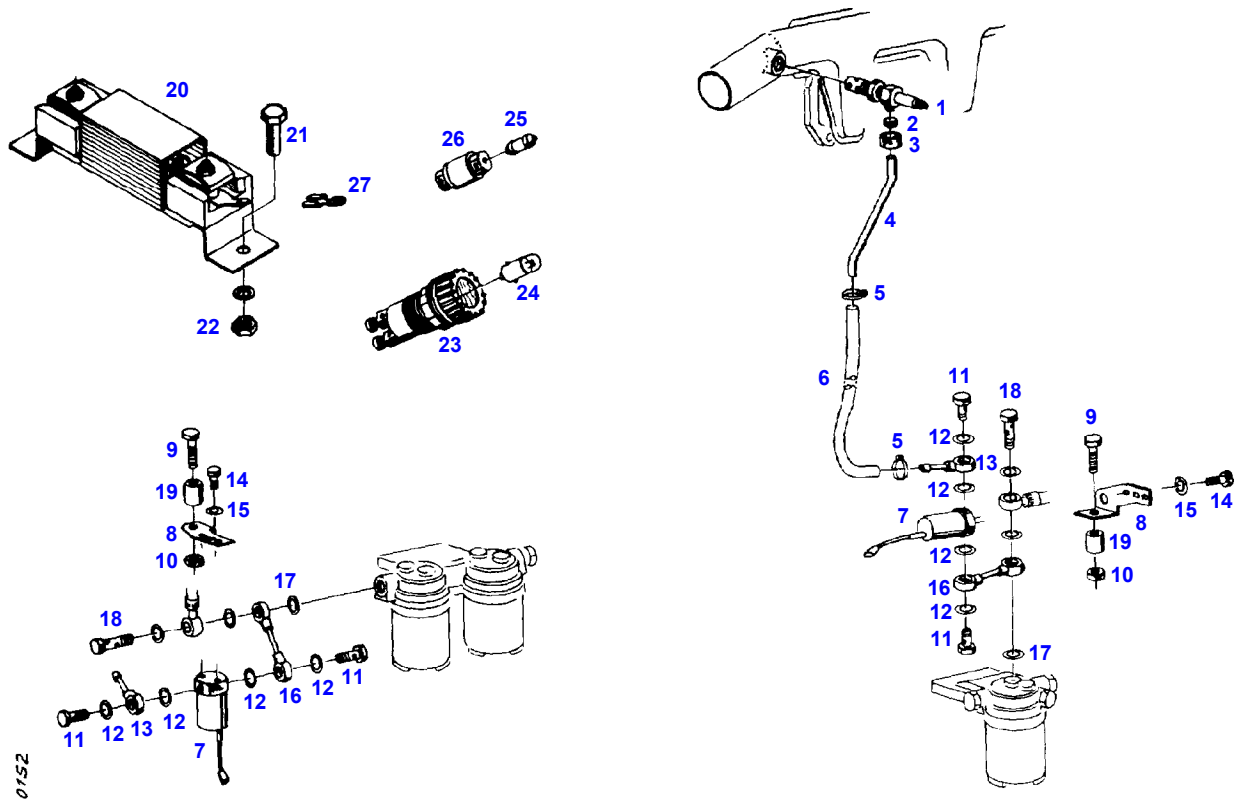
FARMER 108 (278/00001-99999)
151



0151

Item	Part Number	Qty	Description Comments	Technical Specification
<-- 278/4267 --> 278/5408				
1	72403257	1	MOUNTING ANGLE	
2	72315650	1	HEXAGONAL HEAD BOLT	DIN 933 M8 X 20-8.8A3L
3	72311788	2	DISC	DIN 125-8,4-ST.A3L
4	72315053	1	SPLIT WASHER	FWN 65208-8-A3L
5	72313268	1	NUT	DIN 934 M8-8A3L
6	72315629	2	HEXAGONAL HEAD BOLT	DIN 933 M6 X 12-8.8A3L
7	72315052	2	SPLIT WASHER	FWN 65208-6-A3L
8	72311787	2	DISC	DIN 125-6,4-ST.A3L
9	72317090	1	VALVE SOLENOID	
10	72339388	1	TUBING	
11	72361707	1	PIPE	
12	72315806	2	BANJO BOLT	DIN 7643-6-3-A3L
13	72315088	4	SEALING WASHER	DIN 7603 A10X13,5-CU
14	72310188	1	BANJO BOLT	
15	72315093	1	SEALING WASHER	DIN 7603 A12X18-CU
16	72377312	1	DOUBLE V-RING	DIN 3862-6-9SMNPB28K+G
17	72378005	1	CONNECTING NUT	DIN 3870 ALL6-9S20K A3L
18	72340899	1	FLAME GLOW PLUG	
19	72340900	1	BIMETAL RESISTOR	
20	72315626	2	HEXAGONAL HEAD BOLT	DIN 933-M6 X 16-8.8-A3L
21	72315052	2	SPLIT WASHER	FWN 65208-6-A3L
22	72313266	2	NUT	DIN 934 M6-8A3L
23	72321489	1	INDICATOR LIGHT	
24	72320730	1	FILAMENT BULB	
25	72380340	1	FUSE HOLDER	M.SI
			><26	
26	72338009	1	FUSE LINK	
27	72314686	2	PLUG IN SLEEVE	
	72316070	1	BUSHING INSULATOR	
	72333918	2	CABLE LUG	
	72327418	1	CABLE LUG	

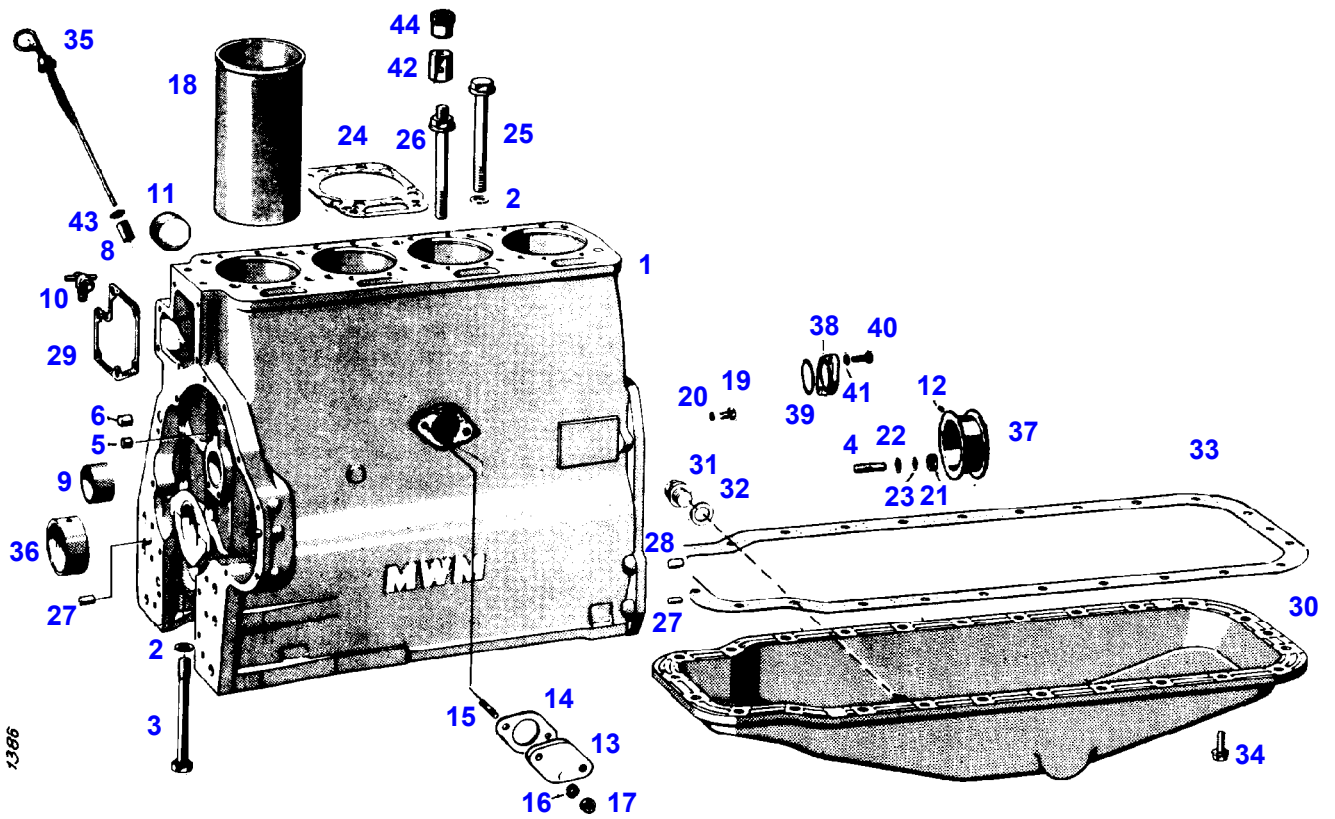
FARMER 108 (278/00001-99999)
152



0152

Item	Part Number	Qty	Description Comments	Technical Specification
			<-- 278/5409	
1	72340899	1	FLAME GLOW PLUG	
2	72377312	1	DOUBLE V-RING	DIN 3862-6-9SMNPB28K+G
3	72378005	1	CONNECTING NUT	DIN 3870 ALL6-9S20K A3L
4	72399922	1	PIPE	
5	72438345	2	HOSE CLIP	
6	72450301	1	PRESSURE HOSE 500 MM CUT TO LENGTH	L=1000
7	72317090	1	VALVE SOLENOID	
8	72399921	1	ANGLE	
9	72315691	1	HEXAGONAL HEAD BOLT	DIN 933 M10X40-8.8A3L
10	72313272	1	NUT	DIN 934 M10-8A3L
11	72315806	2	BANJO BOLT	DIN 7643-6-3-A3L
12	72315088	4	SEALING WASHER	DIN 7603 A10X13,5-CU
13	72377528	1	RING HOSE NIPPLE	FWN65910-A-DN4
14	72315629	2	HEXAGONAL HEAD BOLT	DIN 933 M6 X 12-8.8A3L
15	72315052	4	SPLIT WASHER	FWN 65208-6-A3L
16	72377995	1	TUBING	FWN 65954 A4X50
17	72315094	1	SEALING WASHER	DIN 7603 A14X18-CU
18	72310187	1	DOUBLE BOLT	
19	72389510	1	PIPE	
20	72340900	1	BIMETAL RESISTOR	
21	72315626	2	HEXAGONAL HEAD BOLT	DIN 933-M6 X 16-8.8-A3L
22	72313266	2	NUT	DIN 934 M6-8A3L
23	72321489	1	INDICATOR LIGHT	
24	72320730	1	FILAMENT BULB	
25	72338009	1	FUSE LINK	
26	72380340	1	FUSE HOLDER	M.SI
27	72314686	2	PLUG IN SLEEVE	
30	72333918	2	CABLE LUG NOT ILLUSTRATED	
31	72327418	1	CABLE LUG NOT ILLUSTRATED	
32	72316070	1	BUSHING INSULATOR NOT ILLUSTRATED	

FARMER 108 (278/00001-99999)
1386

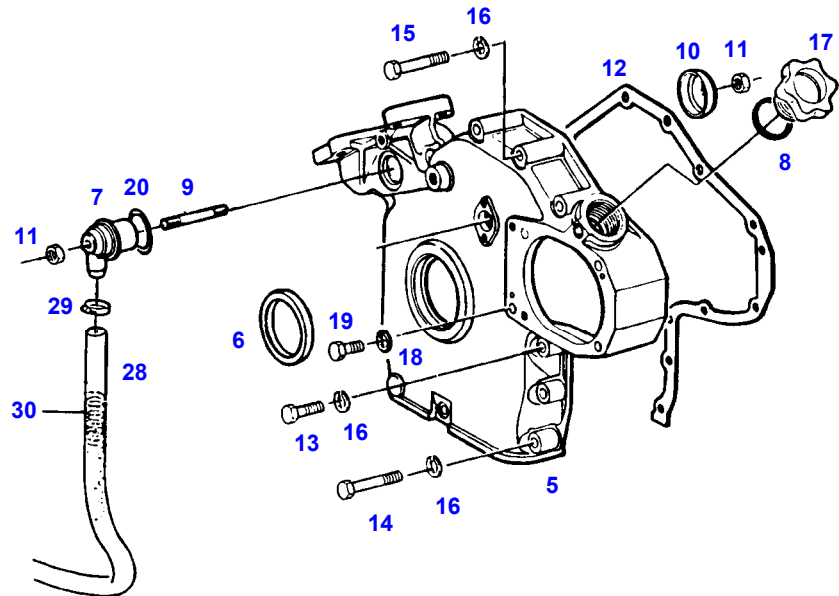


Item	Part Number	Qty	Description Comments	Technical Specification
1	72339389	1	CRANKCASE ><2-19 --> 278/5408	
	72337045	1	CRANKCASE ><2-19 <-- 278/5409	
2	72324592	26	DISC	
3	72327081	10	HEXAGONAL HEAD BOLT	
4	72313777	2	STUD BOLT	DIN 939 M10X35-8.8
	72313772	1	STUD BOLT --> 278/5408	DIN 939 M8X30-8.8
5	72327772	7	PLUG 10	
6	72327773	3	PLUG 14	
	72327068	2	PLUG 16	
8			SEE OIL SUMP / GEAR PUMP	
9	72330749	1	BUSH	
10	72378063	1	RELIEF VALVE	DIN71401-CM14X1,5KEG
11	72377226	4	COVER 50 MM	DIN 443-50
	72377227	4	COVER 52 MM	DIN 443-52
12	72375130	5	TENSIONING PIN	ISO8752-4X8-A-ST-ZNPH
13	72331313	1	FLANGE --> 278/5408	
			NOT USED <-- 278/5409	
14	72376161	1	SEAL --> 278/5408	DIN 71511-30-COL
			NOT USED <-- 278/5409	
15	72313770	2	STUD BOLT --> 278/5408	FWN64891-M8X20-8.8
			NOT USED <-- 278/5409	
16	72315053	2	SPLIT WASHER	FWN 65208-8-A3L
17	72313268	2	NUT	DIN 934 M8-8A3L
18	72331774	4	CYLINDER LINER HONED AFTER MOUNTING	
	72331777	4	CYLINDER LINER FINISHED SIZE	
	72331778	4	CYLINDER LINER FINISHED SIZE HIGH TIN COLLAR	
19	72315676	2	HEXAGONAL HEAD BOLT --> 278/5408	DIN 933 M10X12-8.8
			NOT USED <-- 278/5409	
20	72315089	2	SEALING WASHER --> 278/5408	DIN 7603 A10X16-CU
			NOT USED <-- 278/5409	
21	72372811	2	NUT	DIN 934 M10-10A3L
	72313268	1	NUT --> 278/5408	DIN 934 M8-8A3L
22	72311789	2	DISC	DIN 125-10,5-ST.A3L
	72311788	1	DISC --> 278/5408	DIN 125-8,4-ST.A3L

Item	Part Number	Qty	Description Comments	Technical Specification
23	72375420	2	TOOTHLOCK WASHER	DIN 6797 A10,5
	72375419	1	TOOTHLOCK WASHER --> 278/5408	DIN 6797 A8,4-PHR
24	72331766	4	CYLINDER HEAD GASKET --> 278/5408	
	72326269	4	CYLINDER HEAD GASKET 1,4 MM <-- 278/5409	
25	72326267	12	HEXAGONAL HEAD BOLT --> 278/5408	
			NOT USED <-- 278/5409	
26	72326268	4	HEXAGONAL HEAD BOLT --> 278/5408	
	72326267	14	HEXAGONAL HEAD BOLT <-- 278/5409	
	72326268	2	HEXAGONAL HEAD BOLT <-- 278/5409	
27	72313859	4	CYLINDER PIN	DIN 7-8M6X18-ST50K
28	72313864	2	CYLINDER PIN --> 278/5408	DIN 7-10M6X20-9SMN28K
	72375324	2	CYLINDER PIN <-- 278/5409	DIN 7-10M6X28-ST50K
29	72327043	1	MOLDED SEAL	
30			SEE OIL SUMP / GEAR PUMP	
31			SEE OIL SUMP / GEAR PUMP	
32			SEE OIL SUMP / GEAR PUMP	
33			SEE OIL SUMP / GEAR PUMP	
34			SEE OIL SUMP / GEAR PUMP	
35			SEE OIL SUMP / GEAR PUMP	
36	72327045	4	MAIN BEARING SHELL 65,00 --> 278/5408	
	72327073	4	MAIN BEARING SHELL 64,75 --> 278/5408	
	72327074	4	MAIN BEARING SHELL 64,50 --> 278/5408	
	72327075	4	MAIN BEARING SHELL 64,25 --> 278/5408	
	72327076	4	MAIN BEARING SHELL 64,00 --> 278/5408	
	72341078	5	MAIN BEARING 70,00 <-- 278/5409	
	72341079	5	MAIN BEARING 69,75 <-- 278/5409	
	72341080	5	MAIN BEARING 69,50 <-- 278/5409	
	72341081	5	MAIN BEARING 69,35 <-- 278/5409	

Item	Part Number	Qty	Description Comments	Technical Specification
	72341082	5	MAIN BEARING 69,00 <-- 278/5409	
37	72327046	1	TIGHT-FIT BEARING SHELL 65,00 --> 278/5408	
	72327077	1	TIGHT-FIT BEARING SHELL 64,75 --> 278/5408	
	72327078	1	TIGHT-FIT BEARING SHELL 64,50 --> 278/5408	
	72327079	1	TIGHT-FIT BEARING SHELL 64,25 --> 278/5408	
			NO LONGER AVAILABLE 64,00 --> 278/5408	
	72343910	2	THRUST RING <-- 278/5409	
	72343911	2	THRUST RING <-- 278/5409 REPAIR STEP	
38	72343896	1	COVER	
39	72376544	1	O-RING	42,2X3-NBR 70 FWN56402
40	72315650	2	HEXAGONAL HEAD BOLT	DIN 933 M8 X 20-8.8A3L
41	72317121	2	SPRING WASHER	DIN 137 B8-MECH.VZK
42	72419370	2	NUT	
43			SEE OIL SUMP / GEAR PUMP	
44	72331775	2	NUT --> 278/5408	
			NOT USED <-- 278/5409	
50	72416096	1	SEAL KIT --> 278/5408	
	72376230	1	SEAL KIT <-- 278/5409	D 226-4,2

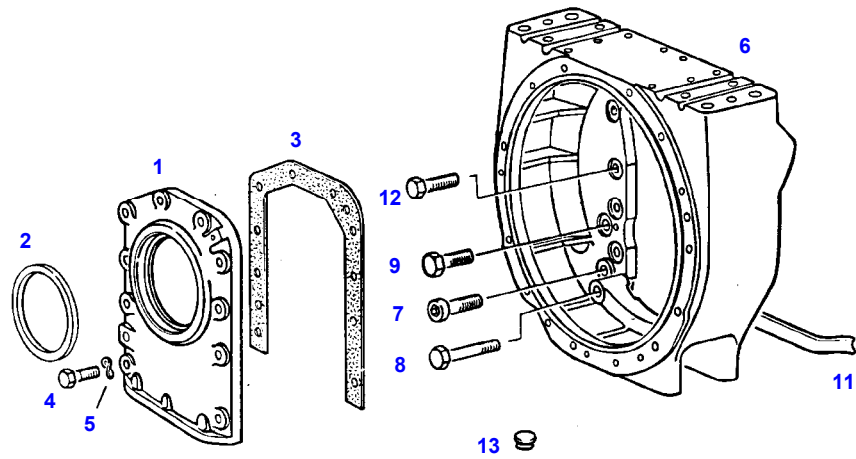
FARMER 108 (278/00001-99999)
4890



4890

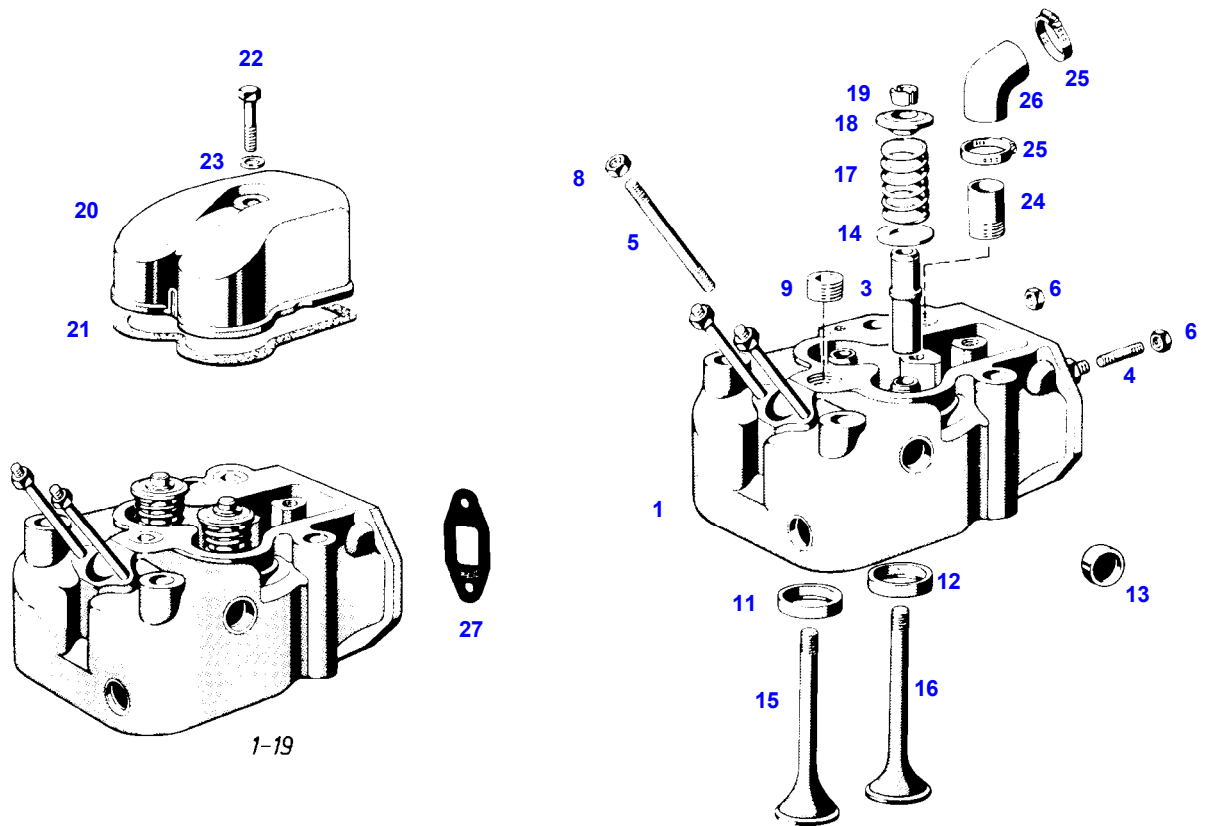
Item	Part Number	Qty	Description Comments	Technical Specification
5	72340126	1	CRANKCASE END COVER	
6	72332982	1	RADIAL SEALING RING	
7	72326907	1	HOUSING	
8	72376514	1	O-RING	32X4-NBR 70 FWN56402
9	72326906	1	THREADED PIN	
10	72326904	1	COVER PANEL	
11	72313266	2	NUT	DIN 934 M6-8A3L
12	72330757	1	MOLDED SEAL	
13	72315659	1	HEXAGONAL HEAD BOLT	DIN 933 M8X35-8.8
14	72374158	7	HEXAGONAL HEAD BOLT	DIN 931 M8X45-8.8
15	72315534	5	HEXAGONAL HEAD BOLT	DIN 931 M8 X 70-8.8
16	72315053	13	SPLIT WASHER	FWN 65208-8-A3L
17	72321607	1	PLUG	
18	72315087	1	SEALING WASHER	DIN 7603 A8X14-CU
19	72315644	1	HEXAGONAL HEAD BOLT	DIN 933 M8X10-8.8A3L
20	72376538	1	O-RING	40X4
28	72436284	1	HOSE 1X 240MM CUT TO LENGTH	L=1120 FWN65912-19X3-PVC-W-G
29	72311167	1	HOSE CLIP	
30			NOT USED	

FARMER 108 (278/00001-99999)
5428



5428

Item	Part Number	Qty	Description Comments	Technical Specification
1	72330754	1	CRANKCASE END COVER ><1-2	
2	72376834	1	SHAFT SEAL	110X130X14,5
3	72330755	1	MOLDED SEAL	
4	72315653	10	HEXAGONAL HEAD BOLT	DIN 933 M8 X 25-8.8A3L
5	72317121	10	SPRING WASHER	DIN 137 B8-MECH.VZK
6	72388985	1	HOUSING --> 278/5408 <>	
	72317290	1	TAPERED PLUG	
	72314756	1	LOCKING PLUG	F21
	72404257	1	HOUSING <-- 278/5409	
7	72315511	2	SOCKET HEAD BOLT	DIN 912 M12X40-10.9
8	72374184	2	HEXAGONAL HEAD BOLT	DIN 931 M10X75-12.9
9	72374465	4	HEXAGONAL HEAD BOLT	DIN 933 M12X28-10.9
11	72325584	1	RUBBER STRIP	
12	72315683	10	HEXAGONAL HEAD BOLT NOT NECESSARY WITH FRONT LOADER	DIN 933 M10X28-10.9
13	72314763	3	LOCKING PLUG F211 NOT NECESSARY WITH FRONT LOADER	F211
	72314748	1	LOCKING PLUG F11 NOT NECESSARY WITH FRONT LOADER	SW-F11
	72375100	1	SCREW PLUG M18 NOT NECESSARY WITH FRONT LOADER	M18



0122



Suggest:

For more complete manuals. Please go to the home page.

<https://www.ebooklibonline.com>

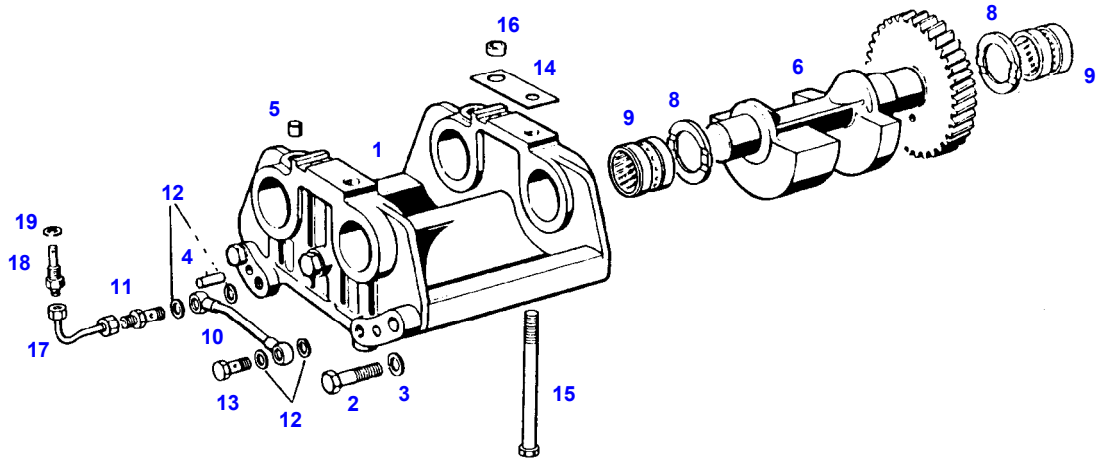
If the above button click is invalid. Please download this document first, and then click the above link to download the complete manual.

Thank you so much for reading

CYLINDER HEAD

Item	Part Number	Qty	Description Comments	Technical Specification
1	72332172	4	CYLINDER HEAD ><1-19 ENG.NO. --> 226.4.2.12883	
	72339462	4	CYLINDER HEAD ><1-19 ENG.NO. <-- 226.4.2.12884	
	72332179	4	CYLINDER HEAD ><1-13 ENG.NO. --> 226.4.2.12883	
	72339462	4	CYLINDER HEAD ><1-13 ENG.NO. <-- 226.4.2.12884	
3	72327062	8	VALVE GUIDE	
4	72374641	16	STUD BOLT	DIN 939 M10X20-8.8
5	72374632	8	STUD BOLT	DIN 939 M8X55-8.8
6	72313272	16	NUT	DIN 934 M10-8A3L
8	72372806	8	NUT	DIN 934 M8-10A3L
9	72373948	8	PLUG SCREW	DIN 906 M22X1,5-ST
11	72332174	4	VALVE SEAT RING OUTLET	
12	72341096	4	VALVE SEAT RING INTAKE ENG.NO. --> 226.4.2.12883	
	72339464	4	VALVE SEAT RING INTAKE ENG.NO. <-- 226.4.2.12884	
13	72311455	16	COVER	
14	72326923	8	DISC	
15	72331769	4	OUTLET VALVE CONE	
16	72331770	4	INLET VALVE CONE	
17	72327057	8	COMPRESSION SPRING	
18	72327093	8	SPRING RETAINER	
19	72327092	8	TAPER PIECE HALF	
20	72334863	4	CYLINDER HEAD COVER	
21	72334862	4	MOLDED SEAL	
22	72315691	4	HEXAGONAL HEAD BOLT	DIN 933 M10X40-8.8A3L
23	72315089	4	SEALING WASHER	DIN 7603 A10X16-CU
24	72334841	4	PIPE PIECE	
25			SEE COOLING SYSTEM	
26			SEE COOLING SYSTEM	
27			SEE AIRFILTER	

FARMER 108 (278/00001-99999)
4892



4892

<https://www.ebooklibonline.com>

Hello dear friend!

Thank you very much for reading.

Enter the link into your browser.

The full manual is available for immediate download.

<https://www.ebooklibonline.com>