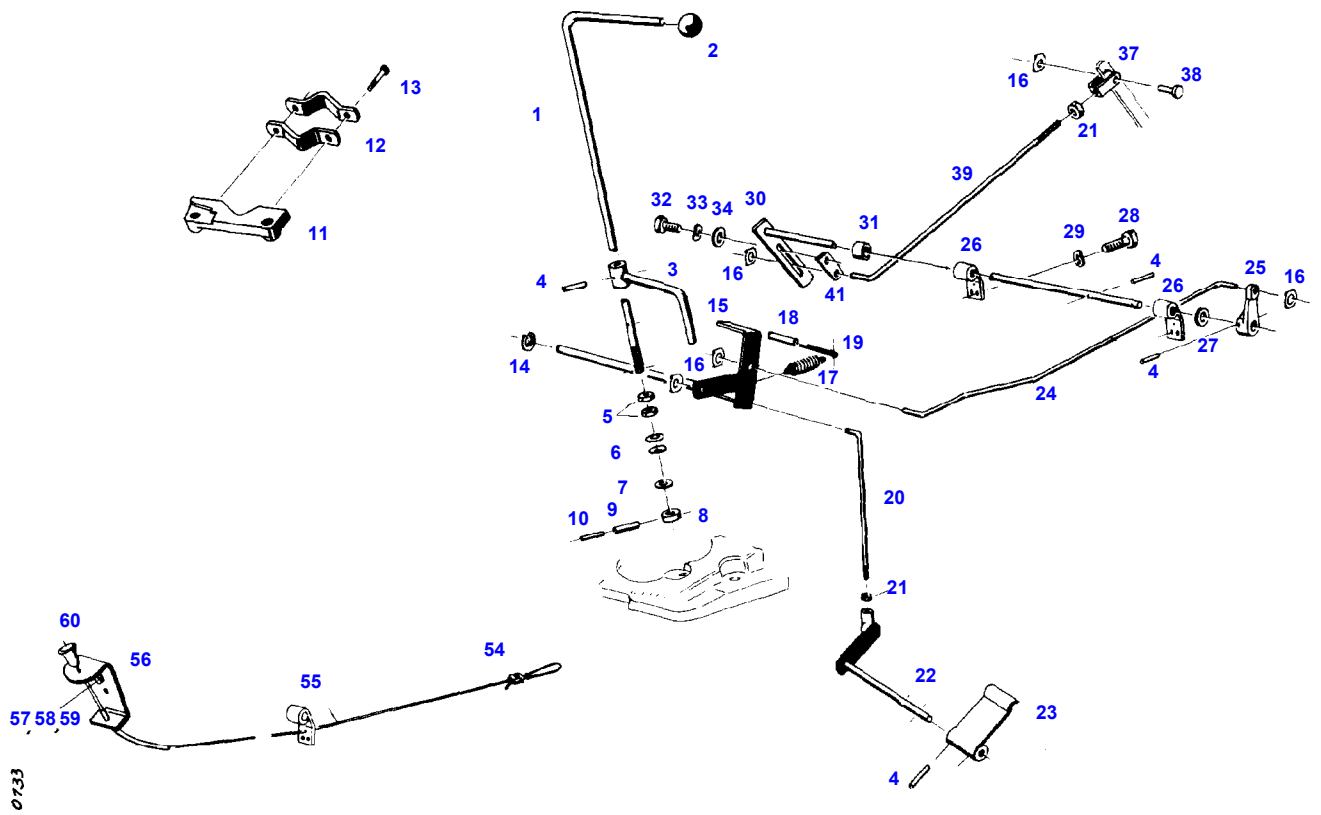


TABLE OF CONTENT

Page Number	Page Title	Page Reference
01-000-TOC	ENGINE, FUEL AND EXHAUST SYSTEM	01-000-TOC
02-000-TOC	AXLES	02-000-TOC
03-000-TOC	STEERING SYSTEM	03-000-TOC
04-000-TOC	DRIVE TRAIN SYSTEM	04-000-TOC
05-000-TOC	COMPRESSED AIR SYSTEM	05-000-TOC
06-000-TOC	HYDRAULIC SYSTEM	06-000-TOC
07-000-TOC	ELECTRICAL SYSTEM	07-000-TOC
08-000-TOC	CAB	08-000-TOC
09-000-TOC	CHASSIS	09-000-TOC
10-000-TOC	WHEELS	10-000-TOC
11-000-TOC	IMPLEMENT LIFT SYSTEM FRONT	11-000-TOC
12-000-TOC	IMPLEMENT LIFT SYSTEM REAR	12-000-TOC
13-000-TOC	FRONT/REAR LOADERS	13-000-TOC
14-000-TOC	ATTACHMENTS	14-000-TOC
15-000-TOC	ACCESSORIES	15-000-TOC

Page Number	Page Title	Page Reference
01-0001	SPEED CONTROL 104 S <-- 238/20701	2010
01-0002	SPEED CONTROL 104 LS --> 238/24095	2020
01-0003	SPEED CONTROL 104 LS <-- 238/24096	2030
01-0004	WATER COOLED RADIATOR <-- 238/20701	2040
01-0005	COOLING SYSTEM CENTRIFUGAL PUMP PIPE <-- 238/20701	2050
01-0006	FUEL TANK <-- 238/20701	2060
01-0007	FUEL LINES <-- 238/20701	2070
01-0008	AIR FILTER <-- 238/20701	2080
01-0009	EXHAUST LOWER UPRIGHT <-- 238/20701	2090
01-0010	TRACTOMETER SYSTEM <-- 238/20701	2100
01-0011	COLD STARTING AID <-- 238/20701 --> 238/23049	2110
01-0012	COLD STARTING AID <-- 238/23050	2115
01-0013	CRANKCASE <-- 238/20701	2120
01-0014	FLYWHEEL HOUSING STIRNWANDDECKEL <-- 238/20701	2130
01-0015	CYLINDER HEAD <-- 238/20701	2140
01-0016	CRANKSHAFT <-- 238/20701	2150
01-0017	PISTON <-- 238/20701	2160
01-0018	CAMSHAFT <-- 238/20701	2170
01-0019	VALVE DRIVE <-- 238/20701	2180
01-0020	OIL FILTER GEAR PUMP <-- 238/20701	2190
01-0021	INJECTION PUMP <-- 238/20701	2200
01-0022	FUEL PRESSURE LINES <-- 238/20701	2210
01-0023	INJECTOR VALVE <-- 238/20701	2220
01-0024	FUEL PUMP <-- 238/20701	2230

FARMER 104 (238/20701-99999)
133



<https://www.ebooklibonline.com>

Hello dear friend!

Thank you very much for reading.

Enter the link into your browser.

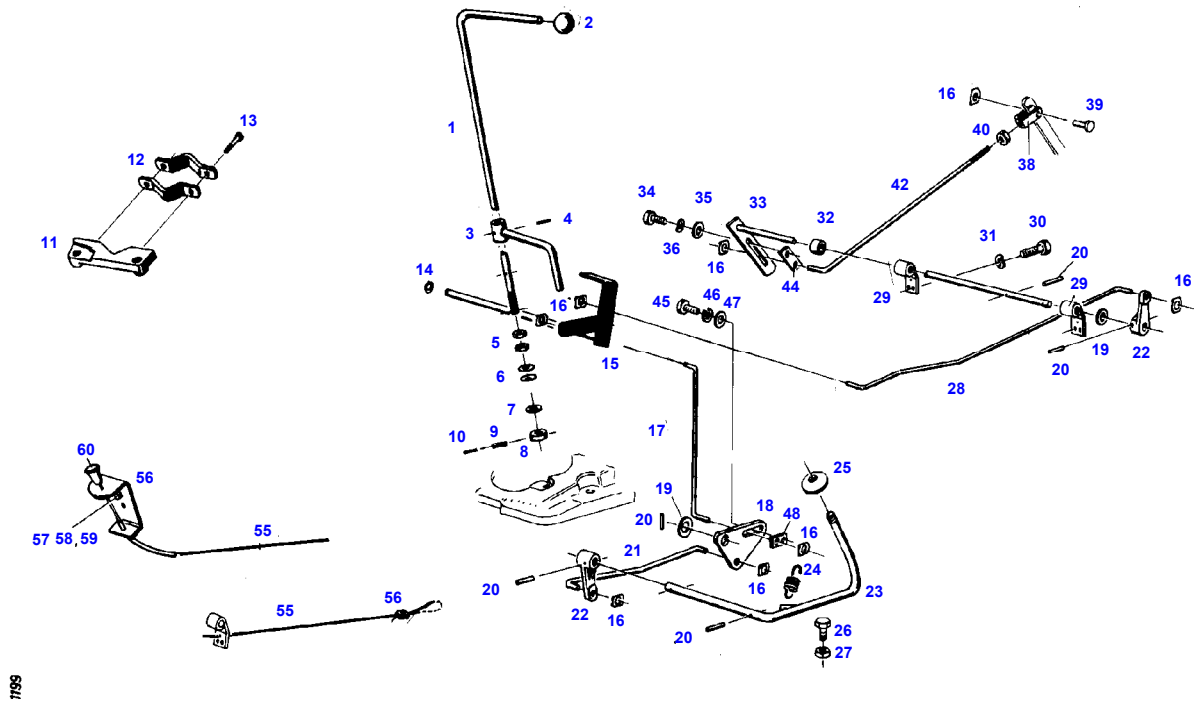
The full manual is available for immediate download.

<https://www.ebooklibonline.com>

Item	Part Number	Qty	Description Comments	Technical Specification
			104 S <-- 238/20701	
1	72404262	1	HAND THROTTLE LEVER	
	72404262	1	HAND THROTTLE LEVER HYDR. STEERING ASSY <-- 238/24408	
2	72393661	1	HANDLE GRIP	
3	72359302	1	DRIVING LEVER	
	72361720	1	DRIVING LEVER HYDR. STEERING ASSY <-- 238/24408	
4	72313804	6	TENSIONING PIN	ISO8752-4X22-A-ST-ZNPHR10F-KOE
	72313803	1	TENSIONING PIN <-- 238/23036	ISO8752-4X20-A-ST-ZNPHR10F-KOE
	72313805	1	TENSIONING PIN HYDR. STEERING ASSY <-- 238/24408	ISO8752-4X28-A-ST-OB3 FWN10256
5	72313295	2	NUT	DIN 936 M12-17H A3L
6	72379557	4	DISK SPRING	28X12,2X1,5
7	72422379	1	FRICTION WASHER	
8	72390663	1	RING NOT USED HYDR. STEERING ASSY	
9	72375146	1	TENSIONING PIN NOT USED HYDR. STEERING ASSY	ISO8752-5X24-A-ST-OB3 FWN10256
10	72375120	1	TENSIONING PIN NOT USED HYDR. STEERING ASSY	ISO8752-3X24-A-ST-ZNPHR10F-KOE
11	72399868	1	HEAD BEARING	
12	72399864	2	CLAMP	
13	72315473	2	SOCKET HEAD BOLT STEERING ASSY. GEMMER	DIN 912 M8 X 25-8.8
	72315478	2	SOCKET HEAD BOLT HYDRO-STEERING ASSEMBLY	DIN 912 M8X35-8.8
14	72311059	1	LOCK WASHER	DIN 471-12X1
15	72360859	1	REVERSING LEVER	
16	72311179	5	DUO-CLIP	6 SXN10
17	72316490	1	PULLING SPRING	
18	72313832	1	TENSIONING PIN	ISO8752-8X45-A-ST-OB3 FWN10256
19	72375768	1	COTTER	DIN 94-6,3X25-ST.A3L
20	72402577	1	DRAFT ROD	
21	72313266	3	NUT	DIN 934 M6-8A3L
22	72359303	1	REVERSING LEVER	
23	72389288	1	PEDAL PLATE	
24	72399904	1	DRAFT ROD	
25	72389283	1	REVERSING LEVER	
26	72404228	2	BEARING	
27	72311804	1	DISC	DIN 433-13-ST.A3L
28	72315642	1	HEXAGONAL HEAD BOLT	DIN 933 M8 X 16-8.8A3L
29	72315053	1	SPLIT WASHER	FWN 65208-8-A3L
30	72361688	1	REVERSING LEVER	
31	72316962	1	SPACER TUBE	
	72311804	1	DISC	DIN 433-13-ST.A3L
	72313804	1	TENSIONING PIN	ISO8752-4X22-A-ST-ZNPHR10F-KOE
32	72315626	1	HEXAGONAL HEAD BOLT	DIN 933-M6 X 16-8.8-A3L
33	72315052	1	SPLIT WASHER	FWN 65208-6-A3L
34	72311787	1	DISC	DIN 125-6,4-ST.A3L
37	72399867	1	CLEVIS	
38	72372462	1	BOLT	DIN 1436 6H11X22X18-UST36-2A3L
39	72388973	1	REGULATOR ROD	
41	72399925	1	ADJUSTING PLATE	

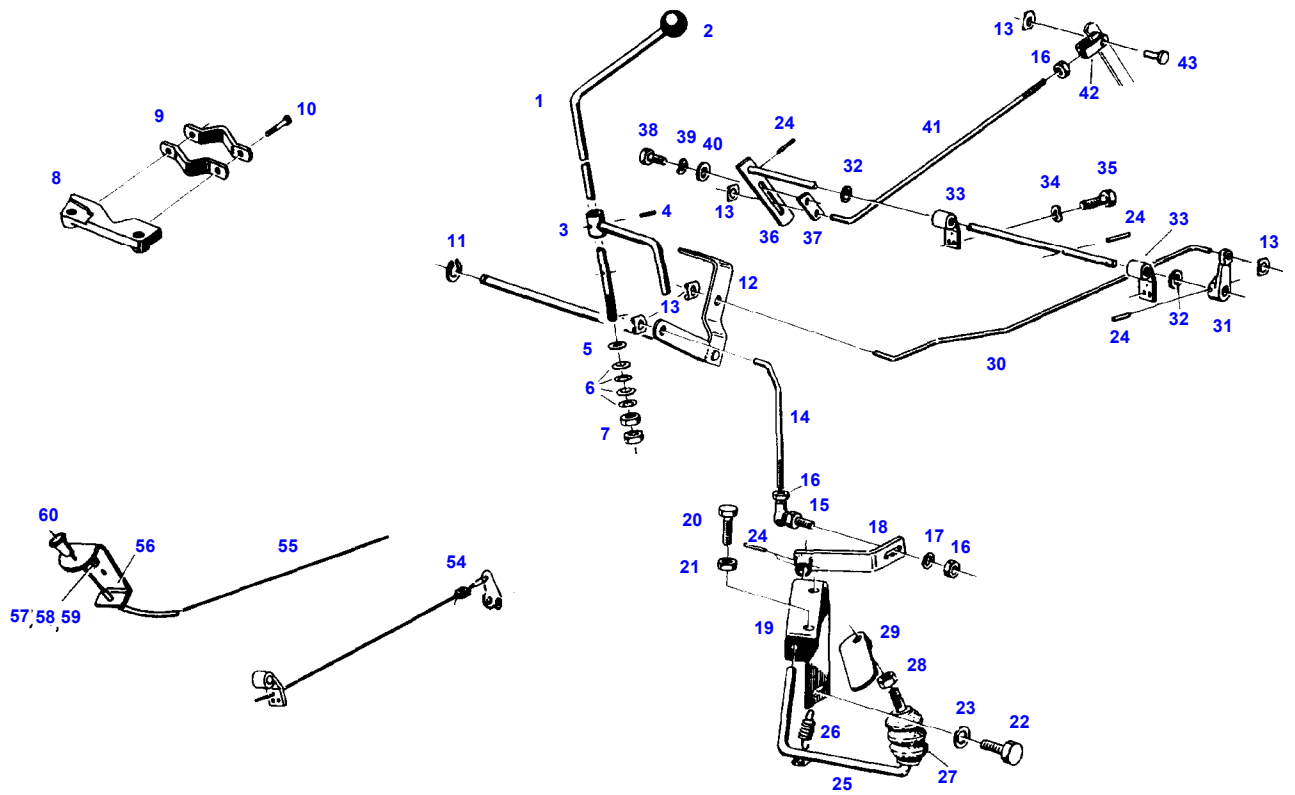
Item	Part Number	Qty	Description Comments	Technical Specification
49			ENGINE STOP	
54	72333529	1	CABLE CLAMP	
55	72359334	1	CONTROL CABLE	
56	72361709	1	ROPE GUIDE	
	72311787	1	DISC	DIN 125-6,4-ST.A3L
			NOT ILLUSTRATED	
57	72315626	1	HEXAGONAL HEAD BOLT	DIN 933-M6 X 16-8.8-A3L
58	72315052	1	SPLIT WASHER	FWN 65208-6-A3L
59	72313266	1	NUT	DIN 934 M6-8A3L
60	72329543	1	HANDLE	
			<>	
	72313264	1	NUT	DIN 934 M5-8A3L

FARMER 104 (238/20701-99999)
1199



Item	Part Number	Qty	Description Comments	Technical Specification
			104 LS --> 238/24095	
1	72404262	1	HAND THROTTLE LEVER	
2	72393661	1	HANDLE GRIP	
3	72359302	1	DRIVING LEVER	
4	72313803	1	TENSIONING PIN	ISO8752-4X20-A-ST-ZNP10F-KOE
5	72313295	2	NUT	DIN 936 M12-17H A3L
6	72379557	4	DISK SPRING	28X12,2X1,5
7	72422379	1	FRICTION WASHER	
8	72390663	1	RING	
9	72375146	1	TENSIONING PIN	ISO8752-5X24-A-ST-OB3 FWN10256
10	72375120	1	TENSIONING PIN	ISO8752-3X24-A-ST-ZNP10F-KOE
11	72399868	1	HEAD BEARING	
12	72399864	2	CLAMP	
13	72315473	2	SOCKET HEAD BOLT	DIN 912 M8 X 25-8.8
	72315478	2	SOCKET HEAD BOLT	DIN 912 M8X35-8.8
			HYDRO-STEERING ASSEMBLY	
14	72311059	1	LOCK WASHER	DIN 471-12X1
15	72360859	1	REVERSING LEVER	
16	72311179	8	DUO-CLIP	6 SXN10
17	72402045	1	ROD	
18	72399924	1	PLATE	
19	72311804	2	DISC	DIN 433-13-ST.A3L
20	72313804	5	TENSIONING PIN	ISO8752-4X22-A-ST-ZNP10F-KOE
21	72404259	1	DRAFT ROD	
22	72389283	2	REVERSING LEVER	
23	72360672	1	LEVER	
24	72316492	1	PULLING SPRING	
25	72390659	1	DISC	
			<-- H294.200.020.080 1X	
26	72315657	1	HEXAGONAL HEAD BOLT	DIN 933 M8 X 30-8.8A3L
27	72313268	1	NUT	DIN 934 M8-8A3L
28	72399904	1	DRAFT ROD	
29	72404228	2	BEARING	
30	72315642	1	HEXAGONAL HEAD BOLT	DIN 933 M8 X 16-8.8A3L
31	72315053	1	SPLIT WASHER	FWN 65208-8-A3L
32	72316962	1	SPACER TUBE	
33	72361688	1	REVERSING LEVER	
34	72315626	1	HEXAGONAL HEAD BOLT	DIN 933-M6 X 16-8.8-A3L
35	72311787	1	DISC	DIN 125-6,4-ST.A3L
36	72315052	1	SPLIT WASHER	FWN 65208-6-A3L
38	72399867	1	CLEVIS	
39	72372462	1	BOLT	DIN 1436 6H11X22X18-UST36-2A3L
40	72313266	2	NUT	DIN 934 M6-8A3L
42	72388973	1	REGULATOR ROD	
44	72399925	1	ADJUSTING PLATE	
45	72315630	1	HEXAGONAL HEAD BOLT	DIN 933 M6X18-8.8A3L
46	72315052	1	SPLIT WASHER	FWN 65208-6-A3L
47	72311822	2	DISC	DIN9021-6,4-140HV-A3L
48	72399925	1	ADJUSTING PLATE	
49			ENGINE STOP	
54	72333529	1	CABLE CLAMP	
55	72359334	1	CONTROL CABLE	
56	72361709	1	ROPE GUIDE	
	72311787	1	DISC	DIN 125-6,4-ST.A3L
			NOT ILLUSTRATED	
57	72315626	1	HEXAGONAL HEAD BOLT	DIN 933-M6 X 16-8.8-A3L
58	72315052	1	SPLIT WASHER	FWN 65208-6-A3L
59	72313266	1	NUT	DIN 934 M6-8A3L
60	72329543	1	HANDLE	
			<>	
	72313264	1	NUT	DIN 934 M5-8A3L

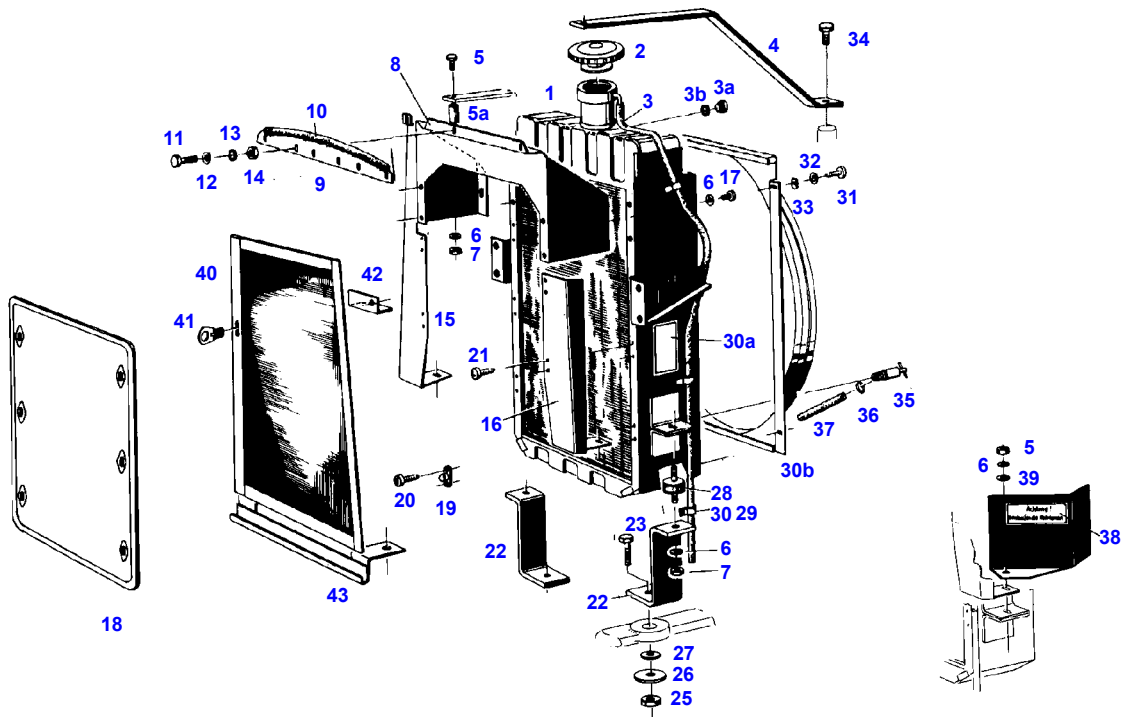
FARMER 104 (238/20701-99999)
1233



1233

Item	Part Number	Qty	Description Comments	Technical Specification
			104 LS <-- 238/24096	
1	72404262	1	HAND THROTTLE LEVER	
2	72393661	1	HANDLE GRIP	
3	72361720	1	DRIVING LEVER	
4	72313805	1	TENSIONING PIN	ISO8752-4X28-A-ST-OB3 FWN10256
5	72422379	1	FRICTION WASHER	
6	72379557	4	DISK SPRING	28X12,2X1,5
7	72313295	2	NUT	DIN 936 M12-17H A3L
8	72399868	1	HEAD BEARING	
9	72399864	1	CLAMP	
10	72315478	2	SOCKET HEAD BOLT	DIN 912 M8X35-8.8
11	72311059	1	LOCK WASHER	DIN 471-12X1
12			NO LONGER AVAILABLE	
13	72311179	5	DUO-CLIP	6 SXN10
14	72404260	1	DRAFT ROD	
15	72316303	1	BALL SOCKET	DIN 71805 B10-A3L
			<>	
	72313852	1	BALL PIN	DIN 71803-C10-ST-A3L
	72313266	1	NUT	DIN 934 M6-8A3L
	72317189	1	SECURING CLIP	DIN71805 S10-A3L
16	72313266	2	NUT	DIN 934 M6-8A3L
17	72311787	2	DISC	DIN 125-6,4-ST.A3L
18	72361718	1	LEVER	
19	72404261	1	BEARING ANGLE	
20	72315646	2	HEXAGONAL HEAD BOLT	DIN 933 M8X18-8.8A3L
21	72313268	2	NUT	DIN 934 M8-8A3L
22	72315679	1	HEXAGONAL HEAD BOLT	DIN 933 M10X20-8.8A3L
23	72311789	1	DISC	DIN 125-10,5-ST.A3L
24	72313804	5	TENSIONING PIN	ISO8752-4X22-A-ST-ZNPHR10F-KOE
25			NO LONGER AVAILABLE	
26	72316492	1	PULLING SPRING	
27	72393407	1	UNIVERSAL SPOUT	
28	72313295	1	NUT	DIN 936 M12-17H A3L
29	72361719	1	FOOT PLATE	
30	72399904	1	DRAFT ROD	
31	72389283	1	REVERSING LEVER	
32	72311804	2	DISC	DIN 433-13-ST.A3L
33	72404228	2	BEARING	
34	72315053	1	SPLIT WASHER	FWN 65208-8-A3L
35	72315646	1	HEXAGONAL HEAD BOLT	DIN 933 M8X18-8.8A3L
36	72361688	1	REVERSING LEVER	
37	72399925	1	ADJUSTING PLATE	
38	72315626	1	HEXAGONAL HEAD BOLT	DIN 933-M6 X 16-8.8-A3L
39	72317120	1	SPRING WASHER	DIN 137 B6-MECH.VZK
40	72311822	1	DISC	DIN9021-6,4-140HV-A3L
41	72388973	1	REGULATOR ROD	
42	72399867	1	CLEVIS	
43	72372462	1	BOLT	DIN 1436 6H11X22X18-UST36-2A3L
49			ENGINE STOP	
54	72333529	1	CABLE CLAMP	
55	72359334	1	CONTROL CABLE	
56	72361709	1	ROPE GUIDE	
	72311787	1	DISC	DIN 125-6,4-ST.A3L
			NOT ILLUSTRATED	
57	72315626	1	HEXAGONAL HEAD BOLT	DIN 933-M6 X 16-8.8-A3L
58	72315052	1	SPLIT WASHER	FWN 65208-6-A3L
59	72313266	1	NUT	DIN 934 M6-8A3L
60	72329543	1	HANDLE	
			<>	
	72313264	1	NUT	DIN 934 M5-8A3L

FARMER 104 (238/20701-99999)
1236



1236

Item	Part Number	Qty	Description Comments	Technical Specification
			<-- 238/20701	
1	72349173	1	RADIATOR CORE ><2,3	
2	72326256	1	BAYONET CAP	
3	72436028	1	HOSE	L=1500FWN65912-10X2-PVC-W-G
	72374934	1	SCREW NOT NEEDED WITH HEATING <-- 238/23976	DIN 7604 AM8X1-ST
	72315086	1	SEALING WASHER NOT NEEDED WITH HEATING <-- 238/23976	DIN 7603 A8X11,5-CU
4	72399907	1	RETAINER	
5	72315531	1	HEXAGONAL HEAD BOLT	DIN 931 M8 X 60-8.8
	72389313	1	BUSH	
6	72315053	9	SPLIT WASHER	FWN 65208-8-A3L
7	72313268	5	NUT	DIN 934 M8-8A3L
8	72404231	1	MOUNTING BRACKET	
9	72347565	1	BARRIER WALL ><10	
10	72451145	1	PROTECTIVE STRIP 1X 500 MM CUT TO LENGTH	L=720 FWN 63040
11	72315621	2	HEXAGONAL HEAD BOLT	DIN 933 M5X12-8.8A3L
12	72311785	4	DISC	DIN 125-5,3-ST.A3L
13	72315051	2	SPLIT WASHER	FWN 65208-5-A3L
14	72313264	2	NUT	DIN 934 M5-8A3L
15	72399908	1	SIDE PLATE RIGHT	
16	72399909	1	SIDE PLATE LEFT	
17	72315645	4	HEXAGONAL HEAD BOLT	DIN 933 M8 X 12-8.8A3L
18			NO LONGER AVAILABLE	
19	72328195	4	TURN LOCK	
20	72315835	8	SCREW	DIN 7983 ST3,5X9,5-C-H-A3
21	72315781	2	SCREW	DIN 7981 ST3,5X9,5-C-H-A3
22	72389307	2	MOUNTING ANGLE	
23	72315691	2	HEXAGONAL HEAD BOLT	DIN 933 M10X40-8.8A3L
25	72313272	2	NUT	DIN 934 M10-8A3L
26	72387058	2	DISC	
27	72311845	2	DISC	
28	72310619	2	BUFFER	
29	72311237	1	FASTENING COLLAR	DIN 72571-1X10-ST A3L
30	72372699	1	SLOTTED PIN	DIN 1476-4X6-ST.A3L
	72379109	2	MARKING PLATE	FWN66556-35X68-SCHUTZVORR.N.OE
	72359338	1	FAN COVER WITH FRONT POWER LIFT FRONT P.T.O. TROPICAL VERSION HEATING --> 238/25255	
	72359338	1	FAN COVER STANDARD <-- 238/25256	
31	72315781	8	SCREW	DIN 7981 ST3,5X9,5-C-H-A3
32	72311785	8	DISC	DIN 125-5,3-ST.A3L
33	72373046	8	SPEED NUT	3,9-A3L
34	72374490	1	HEXAGONAL HEAD BOLT	DIN 933 M14X20-8.8
35	72378063	1	RELIEF VALVE	DIN71401-CM14X1,5KEG
36	72438345	1	HOSE CLIP	
37	72389310	1	HOSE	
38	72404235	1	SHROUD PANEL	
39	72311788	2	DISC	DIN 125-8,4-ST.A3L
40	72361693	1	RADIATOR PROTECTIVE GRILL	

Fendt

FARMER 104 (238/20701-99999)

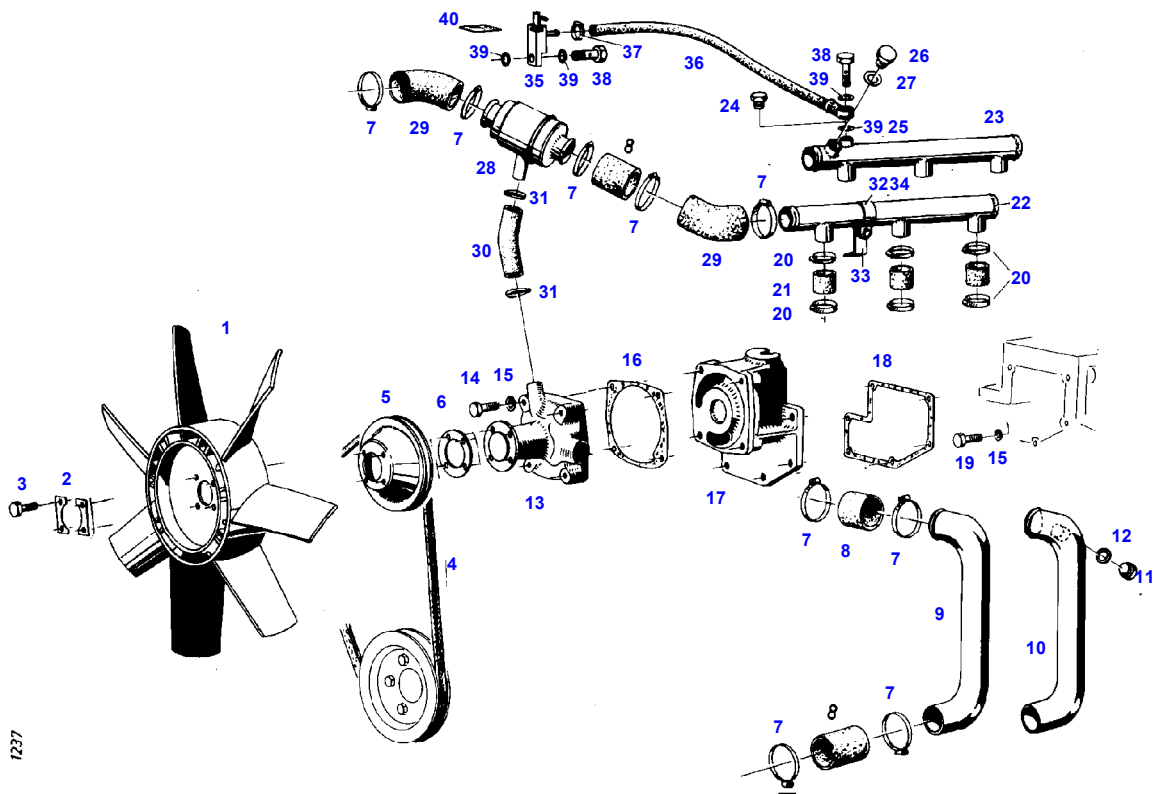
F238001

WATER COOLED RADIATOR

Page01-0004

Item	Part Number	Qty	Description Comments	Technical Specification
41	72334276	1	CATCH	
42	72404236	1	ANGLE	
43	72361692	1	GUIDE PLATE	

FARMER 104 (238/20701-99999)
1237



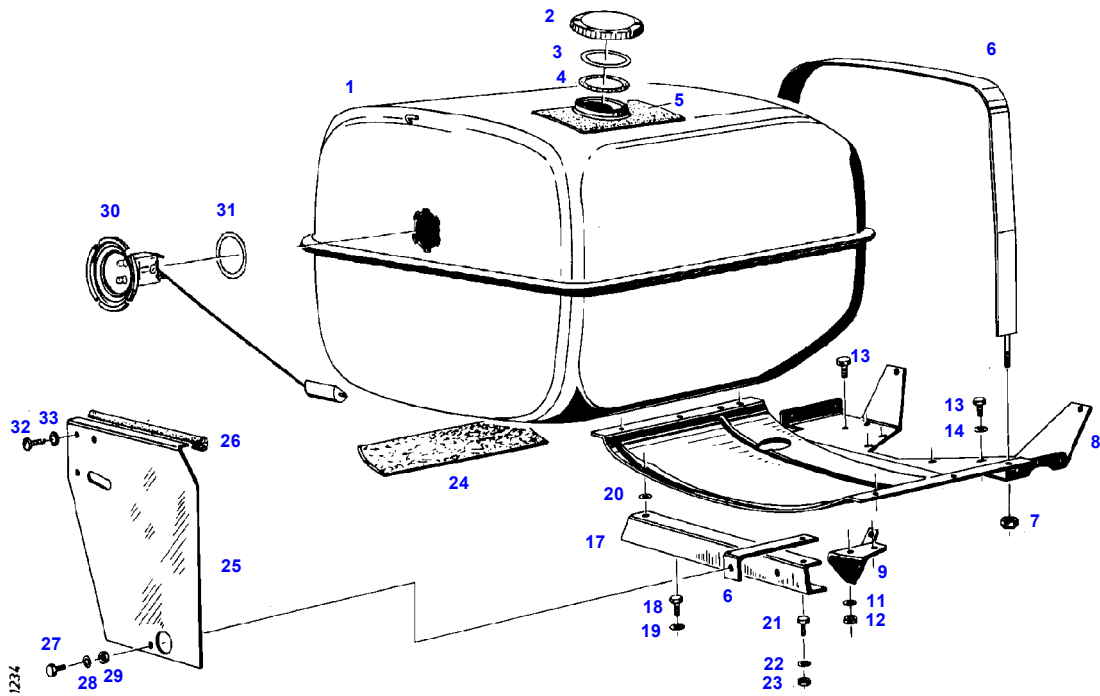
1237

Item	Part Number	Qty	Description Comments	Technical Specification
			CENTRIFUGAL PUMP PIPE <-- 238/20701	
1	72337467	1	FAN	
	72337467	1	FAN TROPICAL VERSION --> 238/25255	
	72380198	1	FAN TROPICAL VERSION <-- 238/25256	400/7
2	72327020	2	LOCK PLATE	
3	72315650	4	HEXAGONAL HEAD BOLT NOT NEEDED WITH AIR BRAKE	DIN 933 M8 X 20-8.8A3L
4			SEE ELECTRICAL SYSTEM ALTERNATOR ASSY.	
5	72327206	1	V BELT SHEAVE NOT NEEDED WITH AIR BRAKE ENG.NO. --> 226.3.2.09311	
	72330787	1	V BELT SHEAVE NOT NEEDED WITH AIR BRAKE ENG.NO. <-- 226.3.2.09312	
	72327206	1	V BELT SHEAVE FRONT POWER LIFT FRONT P.T.O. <-- 238/25256	
	72327206	1	V BELT SHEAVE TROPICAL VERSION 104 S --> 238/25255	
	72399923	1	V BELT SHEAVE TROPICAL VERSION 104 S <-- 238/25256	
6	72394835	1	DISC TROPICAL VERSION 104 S --> 238/25255	
7	72311162	8	HOSE CLIP	
8	72450416	1	HOSE 3X 60MM CUT TO LENGTH	L=120 DIN73411-35X
9	72389308	1	SUCTION LINE 104 S	
	72360673	1	SUCTION LINE HEATING 104 S <>	
	72402196	1	TUBE FITTING	
	72315097	1	SEALING WASHER	DIN 7603 A16X20-CU
10	72360673	1	SUCTION LINE 104 LS	
11	72315800	1	SCREW NOT NEEDED WITH HEATING	DIN7604 AM16X1,5-ST-A3L
12	72315097	1	SEALING WASHER NOT NEEDED WITH HEATING	DIN 7603 A16X20-CU
13			NO LONGER AVAILABLE ENG.NO. --> 226.3.15745 <-- F281.200.610.010 1X	

Item	Part Number	Qty	Description Comments	Technical Specification
	72340133	1	CENTRIFUGAL PUMP ENG.NO. <-- 226.3.15746	
	72328687	1	REPAIR KIT ENG.NO. --> 226.3.15745 <-- F281.200.610.010 1X	
	72340135	1	REPAIR KIT ENG.NO. <-- 226.3.15746 <-- F281.200.610.010 1X	
	72328682	1	FACE SEAL ENG.NO. --> 226.3.15745 <-- F281.200.610.010 1X	
	72340137	1	FACE SEAL ENG.NO. <-- 226.3.15746	
	72340139	1	COUNTER RING ENG.NO. <-- 226.3.15746	
	72340140	1	IMPELLER ENG.NO. <-- 226.3.15746	
14	72315659	4	HEXAGONAL HEAD BOLT	DIN 933 M8X35-8.8
15	72315053	10	SPLIT WASHER	FWN 65208-8-A3L
16	72328678	1	SEAL	
17	72328671	1	INTERMEDIATE PIECE	
18			SEE CRANKCASE	
19	72315653	6	HEXAGONAL HEAD BOLT	DIN 933 M8 X 25-8.8A3L
20	72311167	6	HOSE CLIP	
21	72450415	1	HOSE 3X 30MM	L=900 DIN73411-22X3,5 R
22	72349174	1	PRESSURE LINE --> 238/23975	
23	72349174	1	PRESSURE LINE <> 24-27 <-- 238/23976 <>	
	72315097	1	SEALING WASHER	DIN 7603 A16X20-CU
	72315086	1	SEALING WASHER	DIN 7603 A8X11,5-CU
	72315800	1	SCREW	DIN7604 AM16X1,5-ST-A3L
	72374934	1	SCREW	DIN 7604 AM8X1-ST
24	72374934	1	SCREW NOT NEEDED WITH HEATING <-- 238/23976	DIN 7604 AM8X1-ST
25	72315086	1	SEALING WASHER NOT NEEDED WITH HEATING <-- 238/23976	DIN 7603 A8X11,5-CU
26	72315800	1	SCREW NOT NEEDED WITH HEATING <-- 238/23976	DIN7604 AM16X1,5-ST-A3L
27	72315097	1	SEALING WASHER NOT NEEDED WITH HEATING <-- 238/23976	DIN 7603 A16X20-CU
28	72380193	1	THERMOSTAT	75GR+-2GR
29	72391199	1	RUBBER ARCH	
30	72436027	1	HOSE 1X 130MM	L=320 DIN73411-25X3,5 R
31	72311167	2	HOSE CLIP	
32	72337051	2	PIPE CLAMP	
33			NO LONGER AVAILABLE --> 238/23204	

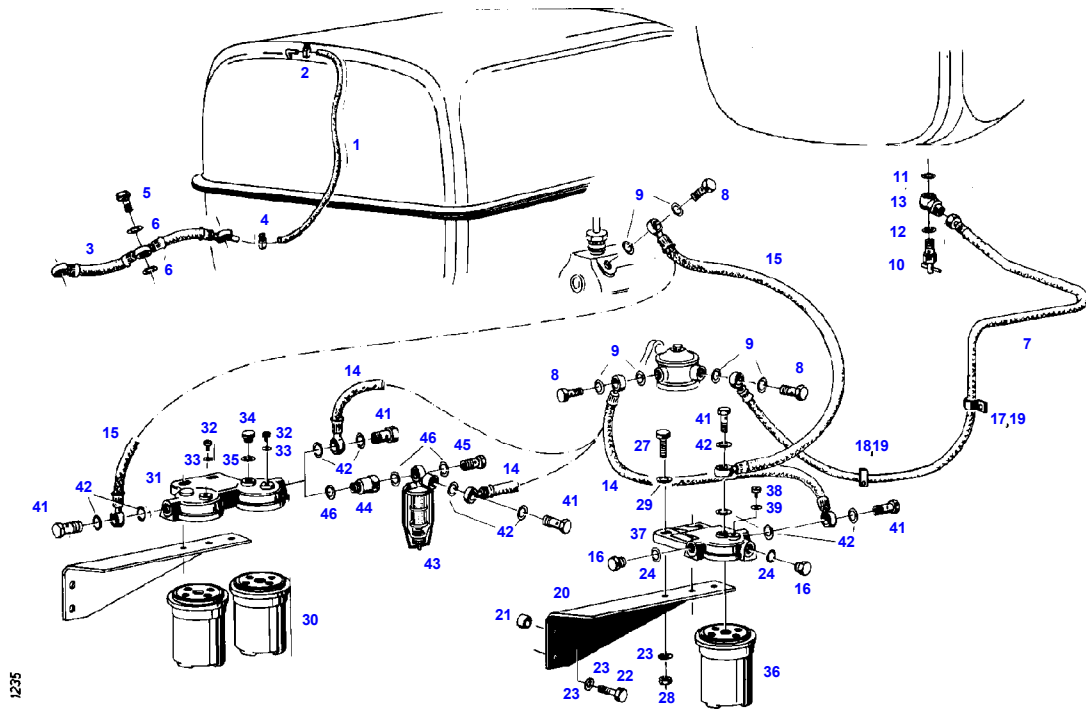
Item	Part Number	Qty	Description Comments	Technical Specification
	72326283	1	GUSSET PLATE <-- 238/23205	
34	72374586	1	HEXAGONAL HEAD BOLT --> 238/23204	DIN 933 M6X12 SZ-8.8A3L
	72315630	1	HEXAGONAL HEAD BOLT <-- 238/23205	DIN 933 M6X18-8.8A3L
35	72379995	1	BLEEDER VALVE HEATING 104 LS	
36	72378080	1	PRESSURE HOSE HEATING 104 LS	
37	72438345	1	HOSE CLIP HEATING 104 LS	
38	72315809	2	BANJO BOLT HEATING 104 LS	DIN 7643-4-5-A3L
39	72315086	4	SEALING WASHER HEATING 104 LS	DIN 7603 A8X11,5-CU
40	72399926	1	LABEL HEATING 104 LS	

FARMER 104 (238/20701-99999)
1234



Item	Part Number	Qty	Description Comments	Technical Specification
			<-- 238/20701	
1	72353109	1	FUEL TANK	
	72433112	1	STRAINER NOT ILLUSTRATED	60X100-MS
2	72380143	1	FUEL CAP ><2-4	M.BELUEF
	72348297	1	FUEL CAP LOCKABLE ><2-4	
3	72330726	1	SEAL 0,5 MM	
4	72330725	1	SEAL 2,5 MM	
5	72399898	1	RUBBER PLATE	
6	72353110	2	BAND CLAMP	
7	72313318	4	NUT	DIN6925-M6-8-A3L
8	72399899	1	TANK TRAY	
	72450974	1	EDGE TRIM 1X 950 MM CUT TO LENGTH NOT ILLUSTRATED	L=1000 FWN 63040 D23
9	72404240	1	MOUNTING ANGLE SHUTTLE TRANSMISSION	
10	72315642	4	HEXAGONAL HEAD BOLT SHUTTLE TRANSMISSION	DIN 933 M8 X 16-8.8A3L
11	72315053	2	SPLIT WASHER SHUTTLE TRANSMISSION	FWN 65208-8-A3L
12	72313268	2	NUT SHUTTLE TRANSMISSION	DIN 934 M8-8A3L
13	72315675	4	HEXAGONAL HEAD BOLT	DIN 933 M10X16-8.8A3L
14	72315054	4	SPLIT WASHER	FWN 65208-10-A3L
16	72404238	1	ANGLE	
17	72404241	1	ANGLE IRON NOT NECESSARY WITH FRONT LOADER FRONT POWER LIFT FRONT P.T.O.	
18	72315642	2	HEXAGONAL HEAD BOLT NOT NECESSARY WITH FRONT LOADER FRONT POWER LIFT FRONT P.T.O.	DIN 933 M8 X 16-8.8A3L
19	72315053	2	SPLIT WASHER NOT NECESSARY WITH FRONT LOADER FRONT POWER LIFT FRONT P.T.O.	FWN 65208-8-A3L
20	72311788	2	DISC	DIN 125-8,4-ST.A3L
21	72315650	2	HEXAGONAL HEAD BOLT	DIN 933 M8 X 20-8.8A3L
22	72315053	2	SPLIT WASHER	FWN 65208-8-A3L
23	72313268	2	NUT	DIN 934 M8-8A3L
24	72399900	2	FELT STRIP	
25	72404237	1	BARRIER WALL	
26	72450971	1	SHAPED CORD 1X 230 MM CUT TO LENGTH	L=1000 FWN 63040 C02
27	72315629	1	HEXAGONAL HEAD BOLT	DIN 933 M6 X 12-8.8A3L
28	72315052	1	SPLIT WASHER	FWN 65208-6-A3L
29	72313266	1	NUT	DIN 934 M6-8A3L
30	72613427	1	FUEL LEVEL SENSOR ><31	
31	72315169	1	SEALING WASHER	
32	72315789	1	SCREW	DIN 7981 ST4,8X9,5-C-H-A3
33	72311785	1	DISC	DIN 125-5,3-ST.A3L

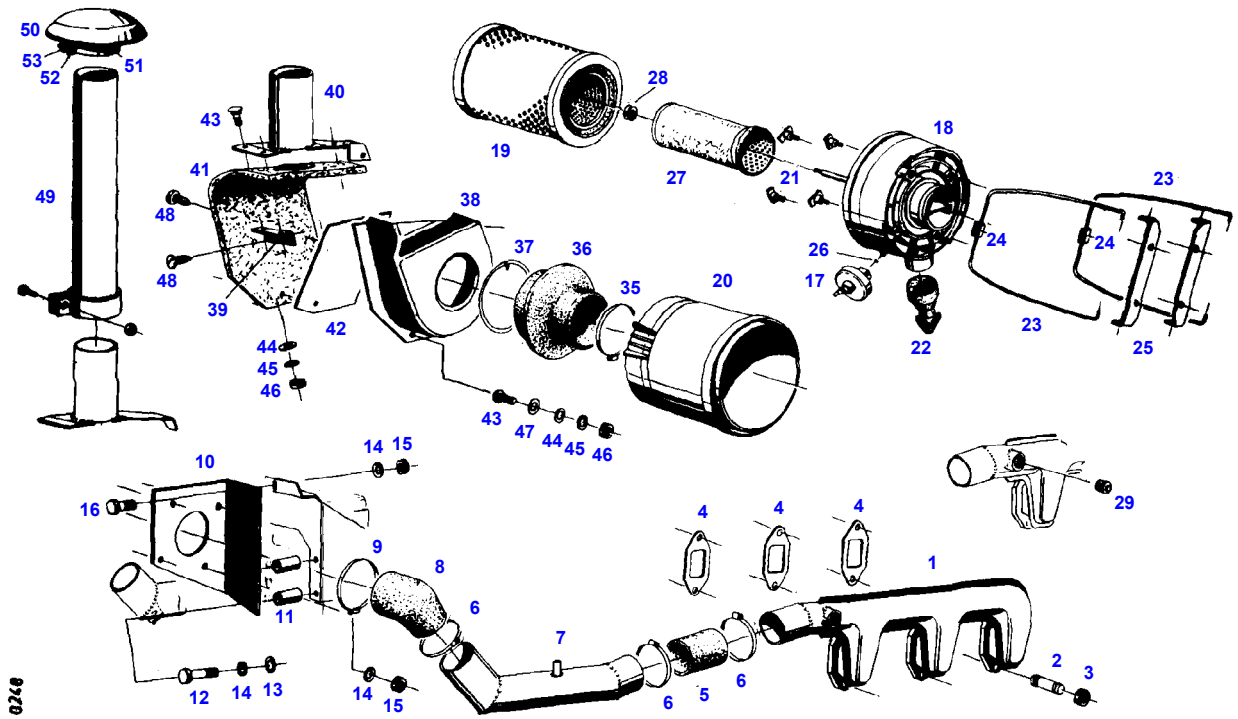
FARMER 104 (238/20701-99999)
1235



1235

Item	Part Number	Qty	Description Comments	Technical Specification
			<-- 238/20701	
1	72450301	1	PRESSURE HOSE 250 MM CUT TO LENGTH	L=1000
2	72438345	1	HOSE CLIP	
3	72334904	1	LEAKAGE OIL LINE	
4	72438345	1	HOSE CLIP	
5	72315809	3	BANJO BOLT	DIN 7643-4-5-A3L
6	72315086	6	SEALING WASHER	DIN 7603 A8X11,5-CU
7	72353206	1	FUEL LINE	
8	72315808	3	BANJO BOLT	DIN 7643-10-3-A3L
9	72315094	6	SEALING WASHER	DIN 7603 A14X18-CU
10	72380159	1	FUEL SHUT-OFF VALVE	
11	72315093	1	SEALING WASHER	DIN 7603 A12X18-CU
12	72315094	1	SEALING WASHER	DIN 7603 A14X18-CU
13	72316302	1	NOZZLE	LL10 DIN7641/12.69 A3L
14	72365147	1	FUEL LINE FUEL PUMP / FUEL FILTER	
15	72356760	1	FUEL LINE INJECTION PUMP / FUEL FILTER	
16	72315799	2	PLUG	DIN 7604 AM14X1,5-A3L
17	72373452	1	FASTENING COLLAR	DIN 72571-1X15-ST A3L
18	72399911	1	SHEET METAL	
19	72372699	2	SLOTTED PIN	DIN 1476-4X6-ST.A3L
20	72391202	1	MOUNTING ANGLE --> 238/23681	
	72399912	1	RETAINER <-- 238/23682	
21	72399913	2	HOLDER <-- 238/23682	
22	72315678	2	HEXAGONAL HEAD BOLT --> 238/23681	DIN 933 M10X20-8.8
	72315689	2	HEXAGONAL HEAD BOLT <-- 238/23682	DIN 933 M10X35-8.8A3L
23	72315054	4	SPLIT WASHER	FWN 65208-10-A3L
24	72315094	2	SEALING WASHER	DIN 7603 A14X18-CU
27	72315689	2	HEXAGONAL HEAD BOLT	DIN 933 M10X35-8.8A3L
28	72372811	2	NUT	DIN 934 M10-10A3L
29	72311789	2	DISC	DIN 125-10,5-ST.A3L
30			NO LONGER AVAILABLE SEE SINGLE PARTS ><30-35 TROPICAL VERSION	
	72326245	2	FILTER BOX	
31	72326249	1	FILTER LID	
32	72323290	2	BLEED SCREW	
33	72315084	2	SEALING WASHER	DIN 7603 A6X10-CU
34	72326250	1	SCREW	
35	72315094	1	SEALING WASHER	DIN 7603 A14X18-CU
36	72326244	1	FILTER ><36-39 <-- F181.200.060.010	
	72326245	1	FILTER BOX	
37	72326247	1	FILTER LID	
38	72323290	1	BLEED SCREW	
39	72315084	1	SEALING WASHER	DIN 7603 A6X10-CU
41	72315808	2	BANJO BOLT	DIN 7643-10-3-A3L
42	72315094	4	SEALING WASHER	DIN 7603 A14X18-CU
43	72329198	1	FUEL FILTER	
44			NO LONGER AVAILABLE	
45	72329199	1	BANJO BOLT	
46	72315094	3	SEALING WASHER	DIN 7603 A14X18-CU

FARMER 104 (238/20701-99999)
248



Item	Part Number	Qty	Description Comments	Technical Specification
			<-- 238/20701	
1	72359340	1	INTAKE MANIFOLD	
2	72373922	6	STUD BOLT	DIN 835-M10X25-8.8
3	72313272	6	NUT	DIN 934 M10-8A3L
4	72332145	3	MOLDED SEAL	
5	72399914	1	REDUCER	
6	72311170	3	HOSE CLIP	
7	72359341	1	INTAKE MANIFOLD	
	72359341	1	INTAKE MANIFOLD WITH AIR BRAKING SYSTEM <>	
	72404253	1	CONNECTION PIPE	
8	72404248	1	INTAKE BEND	
9	72373528	1	HOSE CLIP	
10	72404246	1	RETAINING BRACKET	
11	72399915	2	HOLDER	
12	72374158	2	HEXAGONAL HEAD BOLT	DIN 931 M8X45-8.8
13	72311788	2	DISC	DIN 125-8,4-ST.A3L
14	72315053	7	SPLIT WASHER	FWN 65208-8-A3L
15	72313268	5	NUT	DIN 934 M8-8A3L
16	72315650	1	HEXAGONAL HEAD BOLT	DIN 933 M8 X 20-8.8A3L
	72311788	1	DISC NOT ILLUSTRATED <>	DIN 125-8,4-ST.A3L
17	72316876	1	MAINTENANCE SWITCH <>	
	72380356	1	CABLE LUG	
	72379171	0	WIRE	B1 DIN72551/6.51 SCHWARZ
	72314686	1	PLUG IN SLEEVE	
18	72349621	1	AIR FILTER ><19-27	
19	72339382	1	MICRO-TOP CARTRIDGE	
20	72339385	1	ENGINE HOOD	
21	72328310	4	SCREW	
22	72326122	1	DUST DISCHARGE VALVE	
23	72328222	2	HOLDER ><24	
24	72328313	2	TENSIONING DEVICE	
25	72328309	2	ANGLE	
26	72339386	1	FELT WASHER	
27	72380180	1	SAFETY CARTRIDGE <-- 238/25256	
28	72313268	1	NUT <-- 238/25256	DIN 934 M8-8A3L
29	72399916	1	SCREW	
	72315101	1	SEALING WASHER	DIN 7603 A22X27-CU
35	72373528	1	HOSE CLIP	
36	72404250	1	BELLOWS	
37	72404251	1	STIFFENING RING	
38	72404247	1	AIR INTAKE BOX	
39	72404249	1	ANGLE	
40	72361701	1	BRACKET	
41	72450563	1	SEALING STRIP 1X 900MM CUT TO LENGTH	15X30 L=2000 OWA W77
42	72399917	1	COVER PANEL	
43	72373806	4	TRUSS HEAD SCREW	DIN 603 M6X16-A3L
44	72311787	4	DISC	DIN 125-6,4-ST.A3L
45	72315052	4	SPLIT WASHER	FWN 65208-6-A3L
46	72313266	4	NUT	DIN 934 M6-8A3L
47	72311788	3	DISC	DIN 125-8,4-ST.A3L
48	72315820	3	SCREW	DIN7976-ST6,3X13-C-A3L
49			NO LONGER AVAILABLE	



Suggest:

For more complete manuals. Please go to the home page.

<https://www.ebooklibonline.com>

If the above button click is invalid. Please download this document first, and then click the above link to download the complete manual.

Thank you so much for reading

Fendt

FARMER 104 (238/20701-99999)

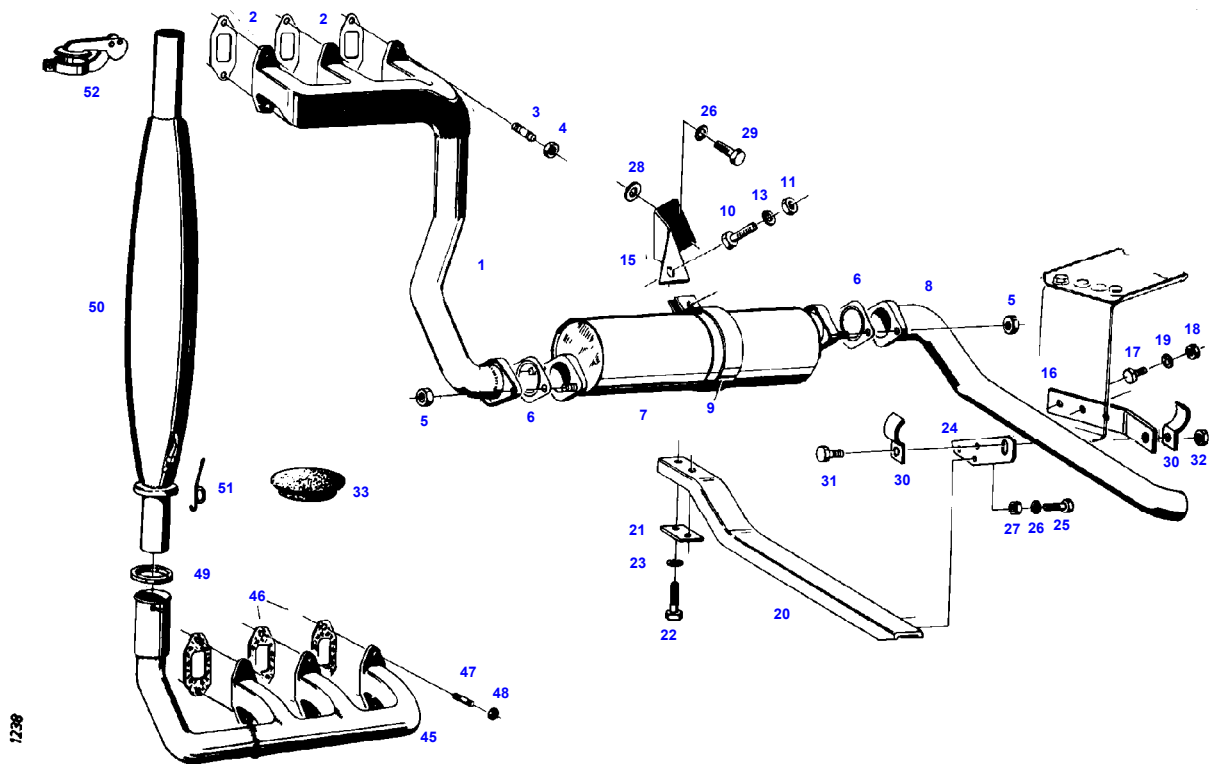
F238001

AIR FILTER

Page01-0008

Item	Part Number	Qty	Description Comments	Technical Specification
50	72330730	1	RAIN CAP ><51-53	
51	72328616	1	PIPE CLAMP	
52	72320202	1	SPECIAL SCREW	
53	72372783	1	SQUARE NUT	DIN 557 M6-5 A3L

FARMER 104 (238/20701-99999)
1238



<https://www.ebooklibonline.com>

Hello dear friend!

Thank you very much for reading.

Enter the link into your browser.

The full manual is available for immediate download.

<https://www.ebooklibonline.com>