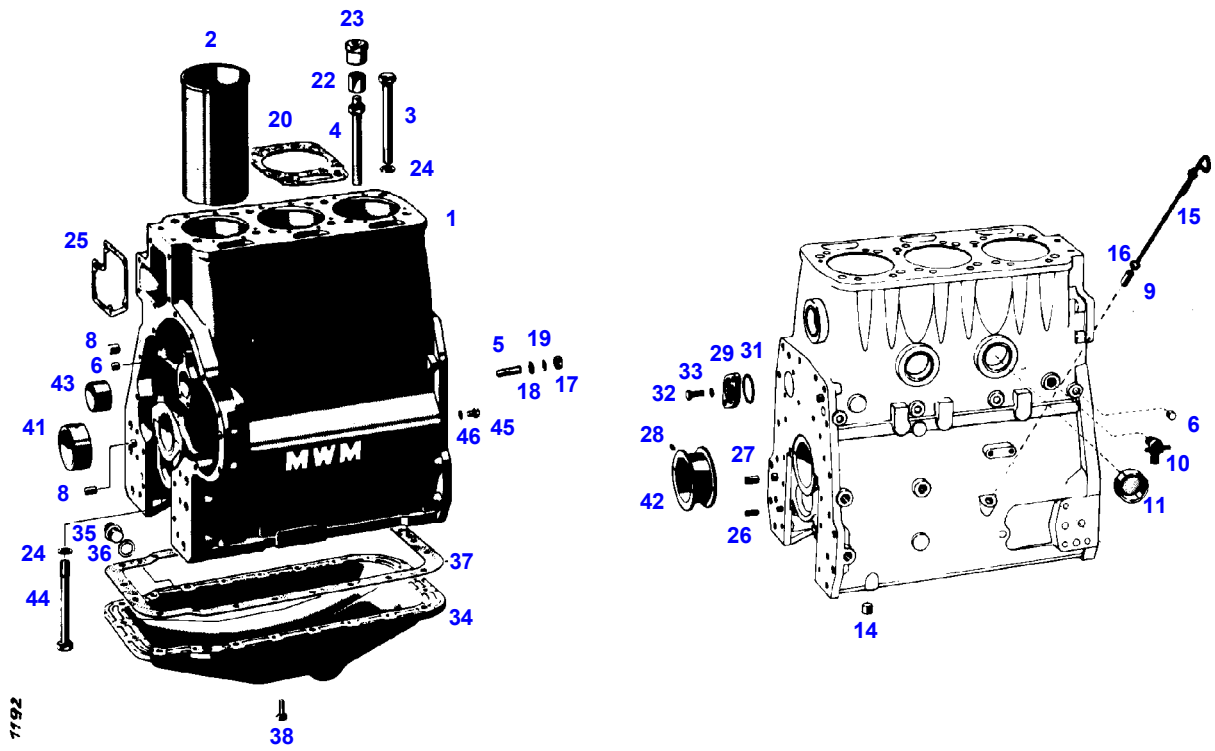


TABLE OF CONTENT

Page Number	Page Title	Page Reference
01-000-TOC	ENGINE, FUEL AND EXHAUST SYSTEM	01-000-TOC
02-000-TOC	AXLES	02-000-TOC
03-000-TOC	STEERING SYSTEM	03-000-TOC
04-000-TOC	DRIVE TRAIN SYSTEM	04-000-TOC
05-000-TOC	COMPRESSED AIR SYSTEM	05-000-TOC
06-000-TOC	HYDRAULIC SYSTEM	06-000-TOC
07-000-TOC	ELECTRICAL SYSTEM	07-000-TOC
08-000-TOC	CAB	08-000-TOC
09-000-TOC	CHASSIS	09-000-TOC
10-000-TOC	WHEELS	10-000-TOC
11-000-TOC	IMPLEMENT LIFT SYSTEM FRONT	11-000-TOC
12-000-TOC	IMPLEMENT LIFT SYSTEM REAR	12-000-TOC
13-000-TOC	FRONT/REAR LOADERS	13-000-TOC
14-000-TOC	ATTACHMENTS	14-000-TOC
15-000-TOC	ACCESSORIES	15-000-TOC

FARMER 102 (135/04601-99999)
1192



Item	Part Number	Qty	Description Comments	Technical Specification
			<-- 135/4601	
1	72334903	1	CRANKCASE ><2,4,6-11,14,23,24,28,43,44 --> 135/8195	
	72326266	1	CRANKCASE ><2,4,6-11,14,23,24,28,43,44 <-- 135/8196	
2	72331774	3	CYLINDER LINER HONED AFTER MOUNTING	
	72331777	3	CYLINDER LINER FINISHED SIZE	
	72331778	3	CYLINDER LINER FINISHED SIZE HIGH TIN COLLAR	
3	72326267	8	HEXAGONAL HEAD BOLT	
4	72326268	4	HEXAGONAL HEAD BOLT	
5	72313777	4	STUD BOLT	DIN 939 M10X35-8.8
6	72327772	6	PLUG	
8	72327773	3	PLUG	
9	72326139	1	PIPE PIECE <>	
	72334253	1	DIPSTICK	
10	72378063	1	RELIEF VALVE	DIN71401-CM14X1,5KEG
11	72377226	3	COVER 50 MM	DIN 443-50
	72377227	3	COVER 52 MM	DIN 443-52
14	72327068	2	PLUG	
15	72334253	1	DIPSTICK <>	
	72326139	1	PIPE PIECE	
16	72376384	1	O-RING	7,3X2,4
	72331327	1	SEALING WASHER	
17	72372811	4	NUT	DIN 934 M10-10A3L
18	72311789	4	DISC	DIN 125-10,5-ST.A3L
19	72375420	4	TOOTHLOCK WASHER	DIN 6797 A10,5
20	72331766	3	CYLINDER HEAD GASKET --> 135/8195	
	72326269	3	CYLINDER HEAD GASKET <-- 135/8196	
22	72419370	3	NUT	
23	72331775	1	NUT	
24	72324592	20	DISC	
25	72327043	1	MOLDED SEAL	
26	72313859	4	CYLINDER PIN	DIN 7-8M6X18-ST50K
27	72313864	2	CYLINDER PIN --> 135/8195	DIN 7-10M6X20-9SMN28K
	72375324	2	CYLINDER PIN <-- 135/8196	DIN 7-10M6X28-ST50K
28	72375130	4	TENSIONING PIN	ISO8752-4X8-A-ST-ZNPH
29	72343896	1	COVER	
31	72376544	1	O-RING	42,2X3-NBR 70 FWN56402
32	72315650	2	HEXAGONAL HEAD BOLT	DIN 933 M8 X 20-8.8A3L
33	72317121	2	SPRING WASHER	DIN 137 B8-MECH.VZK
34	72326134	1	OIL PAN ><35,36	
35	72373986	1	SCREW	
36	72332580	1	SEALING WASHER	
37	72327044	1	MOLDED SEAL	
38	72604456	21	HEXAGONAL HEAD BOLT <>	DIN 933 M8X18 8.8
	72321257	1	DISC	

<https://www.ebooklibonline.com>

Hello dear friend!

Thank you very much for reading.

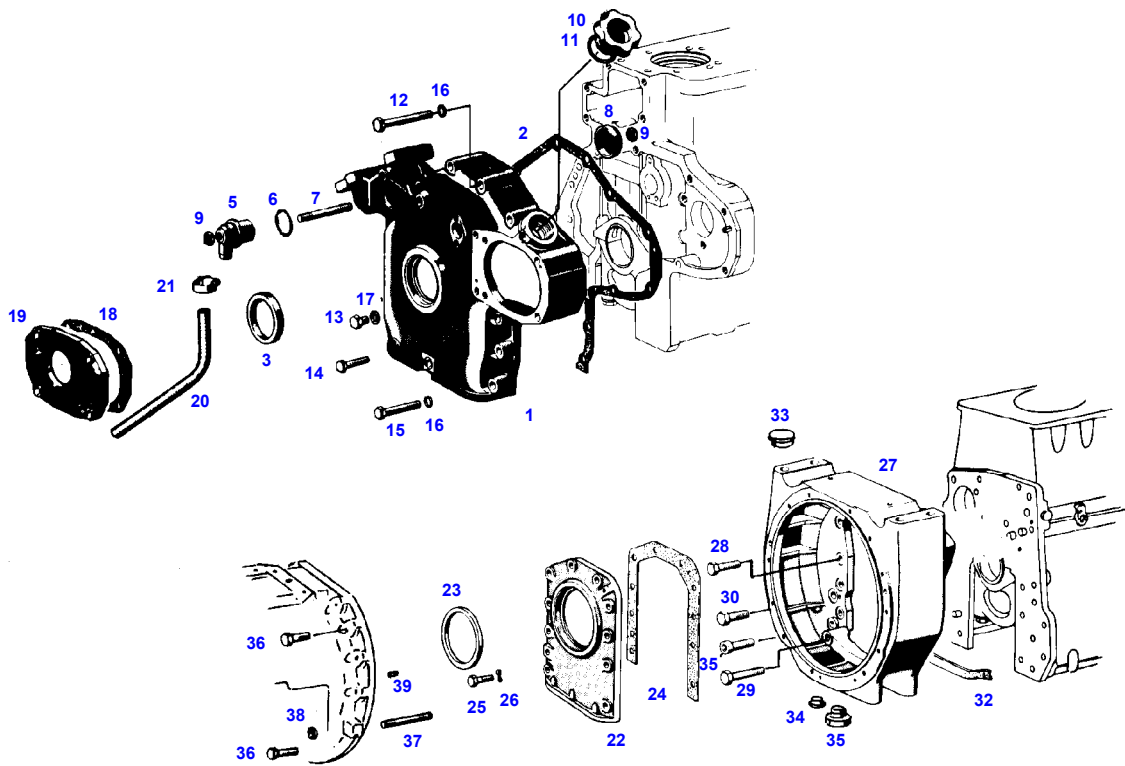
Enter the link into your browser.

The full manual is available for immediate download.

<https://www.ebooklibonline.com>

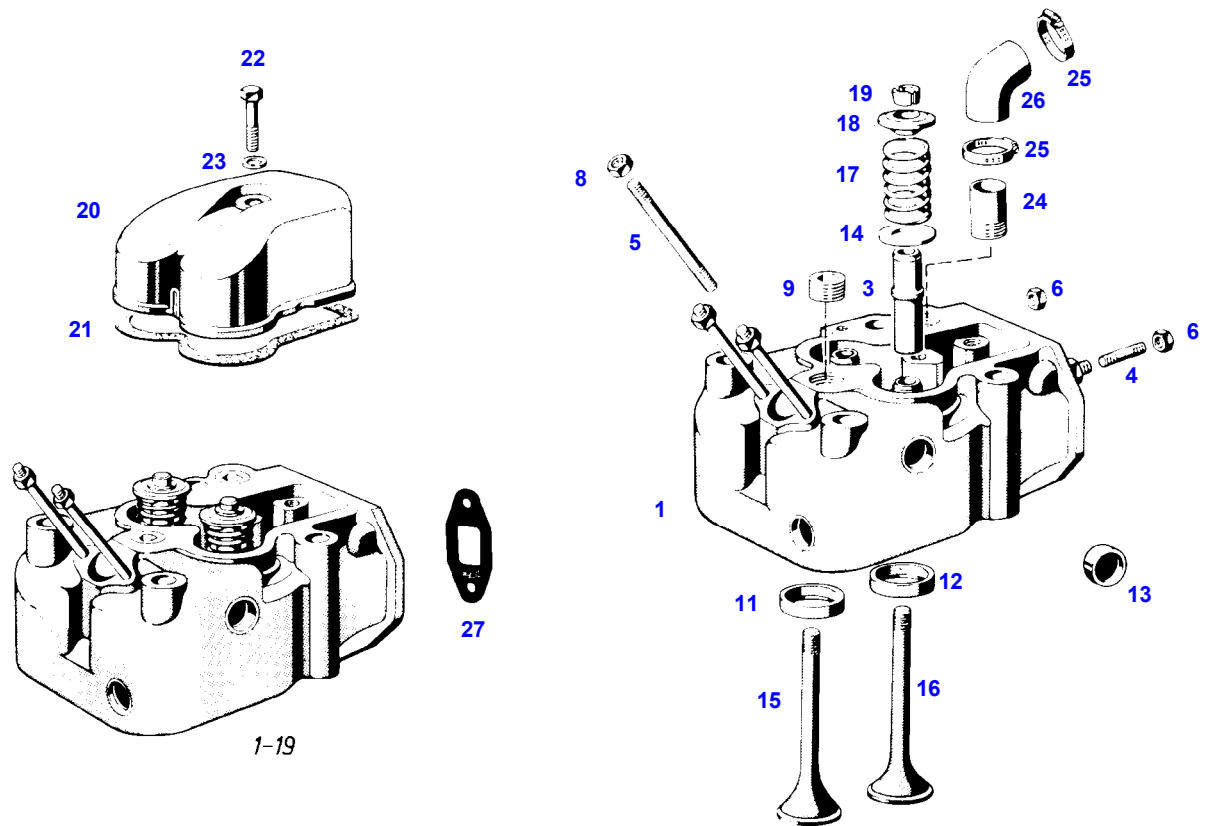
Item	Part Number	Qty	Description Comments	Technical Specification
41	72327045	3	MAIN BEARING SHELL 65,00 MM --> 135/8195	
	72327073	3	MAIN BEARING SHELL 64,75 MM --> 135/8195	
	72327074	3	MAIN BEARING SHELL 64,50 MM --> 135/8195	
	72327075	3	MAIN BEARING SHELL 64,25 MM --> 135/8195	
	72327076	3	MAIN BEARING SHELL 64,00 MM --> 135/8195	
	72341078	4	MAIN BEARING 70,00 MM <-- 135/8196	
	72341079	4	MAIN BEARING 69,75 MM <-- 135/8196	
	72341080	4	MAIN BEARING 69,50 MM <-- 135/8196	
	72341081	4	MAIN BEARING 69,25 MM <-- 135/8196	
	72341082	4	MAIN BEARING 69,00 MM <-- 135/8196	
42	72327046	1	TIGHT-FIT BEARING SHELL 65,00 MM --> 135/8195	
	72327077	1	TIGHT-FIT BEARING SHELL 64,75 MM --> 135/8195	
	72327078	1	TIGHT-FIT BEARING SHELL 64,50 MM --> 135/8195	
	72327079	1	TIGHT-FIT BEARING SHELL 64,25 MM --> 135/8195	
	72343910	2	THRUST RING 70,00 MM <-- 135/8196	
	72343911	2	THRUST RING 69,75 MM <-- 135/8196	
43	72330749	1	BUSH	
44	72327081	8	HEXAGONAL HEAD BOLT	
45	72315644	1	HEXAGONAL HEAD BOLT	DIN 933 M8X10-8.8A3L
46	72315087	1	SEALING WASHER	DIN 7603 A8X14-CU
	72376227	1	SEAL KIT WITHOUT CYLINDER HEAD GASKET NOT ILLUSTRATED --> 135/8195 NO LONGER AVAILABLE NOT ILLUSTRATED <-- 135/8196	D226-3M.W

FARMER 102 (135/04601-99999)
1193



1193

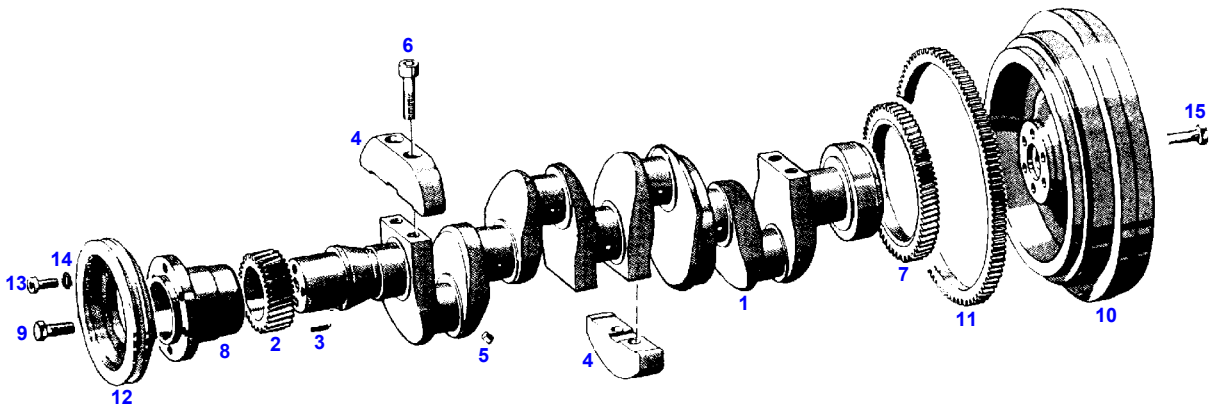
Item	Part Number	Qty	Description Comments	Technical Specification
			STIRNWANDECKEL <-- 135/4601	
1	72340126	1	CRANKCASE END COVER	
2	72330757	1	MOLDED SEAL	
3	72332982	1	RADIAL SEALING RING	
5	72326907	1	HOUSING	
6	72376538	1	O-RING	40X4
7	72326906	1	THREADED PIN	
8	72326904	1	COVER PANEL	
9	72313266	2	NUT	DIN 934 M6-8A3L
10	72321607	1	PLUG	
11	72376514	1	O-RING	32X4-NBR 70 FWN56402
12	72315534	5	HEXAGONAL HEAD BOLT	DIN 931 M8 X 70-8.8
13	72315644	1	HEXAGONAL HEAD BOLT	DIN 933 M8X10-8.8A3L
14	72315659	1	HEXAGONAL HEAD BOLT	DIN 933 M8X35-8.8
15	72374158	7	HEXAGONAL HEAD BOLT	DIN 931 M8X45-8.8
16	72315053	16	SPLIT WASHER	FWN 65208-8-A3L
17	72315087	1	SEALING WASHER	DIN 7603 A8X14-CU
18	72330759	1	MOLDED SEAL	
19			SEE PUMP INSTALLATION	
20	72436284	1	HOSE	L=1120 FWN65912-19X3-PVC-W-G
			1X 335MM CUT TO LENGTH	
	72316915	1	CABLE STRAP NOT ILLUSTRATED	FWN 66650 B290X4,8-SW
21	72311167	1	HOSE CLIP	
22	72330754	1	CRANKCASE END COVER ><23	
23	72376834	1	SHAFT SEAL	110X130X14,5
24	72330755	1	MOLDED SEAL	
25	72315653	12	HEXAGONAL HEAD BOLT	DIN 933 M8 X 25-8.8A3L
26	72317121	10	SPRING WASHER	DIN 137 B8-MECH.VZK
27	72388985	1	HOUSING <>	
	72317290	1	TAPERED PLUG	
	72314756	1	LOCKING PLUG	F21
28	72315683	10	HEXAGONAL HEAD BOLT	DIN 933 M10X28-10.9
29	72374184	2	HEXAGONAL HEAD BOLT	DIN 931 M10X75-12.9
30	72374465	4	HEXAGONAL HEAD BOLT	DIN 933 M12X28-10.9
31	72315511	2	SOCKET HEAD BOLT	DIN 912 M12X40-10.9
32	72325584	1	RUBBER STRIP	
33	72314763	3	LOCKING PLUG NOT NECESSARY WITH FRONT LOADER	F211
34	72314748	1	LOCKING PLUG NOT NECESSARY WITH FRONT LOADER NOT USED AT SIDE MOWER BAR	SW-F11
	72375075	1	LOCKING PLUG NOT NECESSARY WITH FRONT LOADER NOT USED AT SIDE MOWER BAR	F3
35	72375100	1	SCREW PLUG NOT NECESSARY WITH FRONT LOADER NOT USED AT SIDE MOWER BAR	M18
36	72315694	3	HEXAGONAL HEAD BOLT	DIN 933 M10X50 GWA-10.9
	72315696	7	HEXAGONAL HEAD BOLT	DIN 933 M10X60-10.9
37	72374654	2	STUD BOLT	DIN 939 M10X70-10.9
38	72372810	2	NUT	DIN 934 M10-10
39	72313865	2	CYLINDER PIN	ISO2338 12M6X28-ST



0122

Item	Part Number	Qty	Description Comments	Technical Specification
			<-- 135/4601	
1	72332172	3	CYLINDER HEAD ><1-19 ENG.NO. --> 226.3.2.09311	
	72339462	3	CYLINDER HEAD ><1-19 ENG.NO. <-- 226.3.2.09312	
	72332179	3	CYLINDER HEAD ><1-13 ENG.NO. --> 226.3.2.09311	
	72339462	3	CYLINDER HEAD ><1-13 ENG.NO. <-- 226.3.2.09312	
3	72327062	6	VALVE GUIDE	
4	72374641	12	STUD BOLT	DIN 939 M10X20-8.8
5	72374632	6	STUD BOLT	DIN 939 M8X55-8.8
6	72313272	6	NUT	DIN 934 M10-8A3L
	72373015	6	NUT	DIN70615-M10-8-A3B
8	72372806	6	NUT	DIN 934 M8-10A3L
9	72373948	6	PLUG SCREW	DIN 906 M22X1,5-ST
11	72332174	3	VALVE SEAT RING OUTLET	
12	72341096	3	VALVE SEAT RING INTAKE ENG.NO. --> 226.3.2.09311	
	72339464	3	VALVE SEAT RING INTAKE ENG.NO. <-- 226.3.2.09312	
13	72311455	12	COVER	
14	72326923	6	DISC	
15	72331769	3	OUTLET VALVE CONE	
16	72331770	3	INLET VALVE CONE	
17	72327057	6	COMPRESSION SPRING	
18	72327093	6	SPRING RETAINER	
19	72327092	6	TAPER PIECE HALF	
20	72334863	3	CYLINDER HEAD COVER	
21	72334862	3	MOLDED SEAL	
22	72315691	3	HEXAGONAL HEAD BOLT	DIN 933 M10X40-8.8A3L
23	72315089	3	SEALING WASHER	DIN 7603 A10X16-CU
24	72330762	3	PIPE PIECE	
25	72311168	6	HOSE CLIP	
26	72450415	1	HOSE 3X 30MM	L=900 DIN73411-22X3,5 R
27			SEE AIRFILTER	

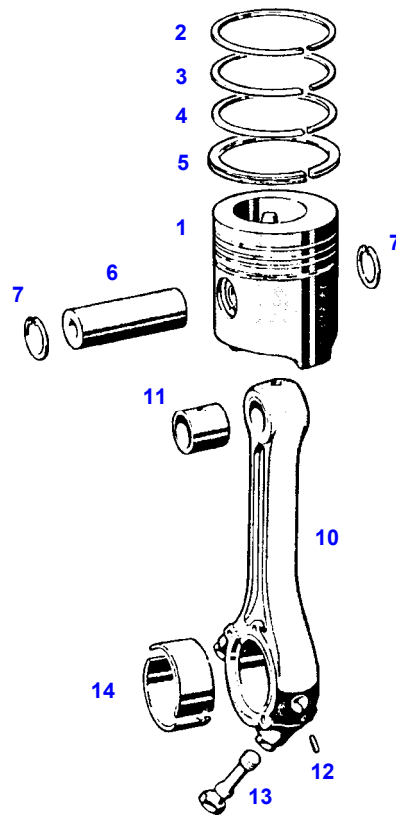
FARMER 102 (135/04601-99999)
11660



11660

Item	Part Number	Qty	Description Comments	Technical Specification
			<-- 135/4601	
1	72326140	1	CRANKSHAFT ><2-7 --> 135/8195	
	72342882	1	CRANKSHAFT ><2-7 --> 135/8195	
2	72330770	1	SPUR GEAR --> 135/8195	
	72341105	1	SPUR GEAR --> 135/8195	
3	72313801	1	TENSIONING PIN	ISO8752-4X14-A-ST
4	72325589	1	COUNTER-BALANCE WEIGHT --> 135/8195	
			NO LONGER AVAILABLE --> 135/8195	
5	72327771	3	PLUG 8 MM ENG.NO. --> 226.32.12598	
	72337059	3	PLUG 6,5 MM ENG.NO. --> 226.32.12599	
6	72374100	4	SOCKET HEAD BOLT --> 135/8195	DIN 912 M14X65-10.9
7			NOT USED	
8	72327139	1	HUB --> 135/8195	
	72326275	1	HUB --> 135/8195	
9	72374807	4	HEXAGONAL HEAD BOLT --> 135/8195	DIN 961 M12X1,5X35-10.9
	72374113	4	SOCKET HEAD BOLT --> 135/8195	DIN 912 M16X50-10.9
10	72337462	1	FLYWHEEL ><11 --> 135/6844	
	72339391	1	FLYWHEEL ><11 --> 135/6844 --> 135/8195	
	72329742	1	FLYWHEEL ><11 --> 135/8195	
11	72330772	1	RING GEAR	
12	72337036	1	V BELT SHEAVE NOT NEEDED WITH AIR BRAKE	
13	72315490	6	SOCKET HEAD BOLT NOT NEEDED WITH AIR BRAKE	DIN 912 M10X16-8.8
14	72315054	6	SPLIT WASHER	FWN 65208-10-A3L
15	72374759	6	HEXAGONAL HEAD BOLT --> 135/8195	DIN 960 M12X1,5X65-10.9
	72374517	6	HEXAGONAL HEAD BOLT --> 135/8195	DIN 933 M16X60-8.8
16	72375130	1	TENSIONING PIN NOT ILLUSTRATED --> 135/8195	ISO8752-4X8-A-ST-ZNPH

FARMER 102 (135/04601-99999)
1708

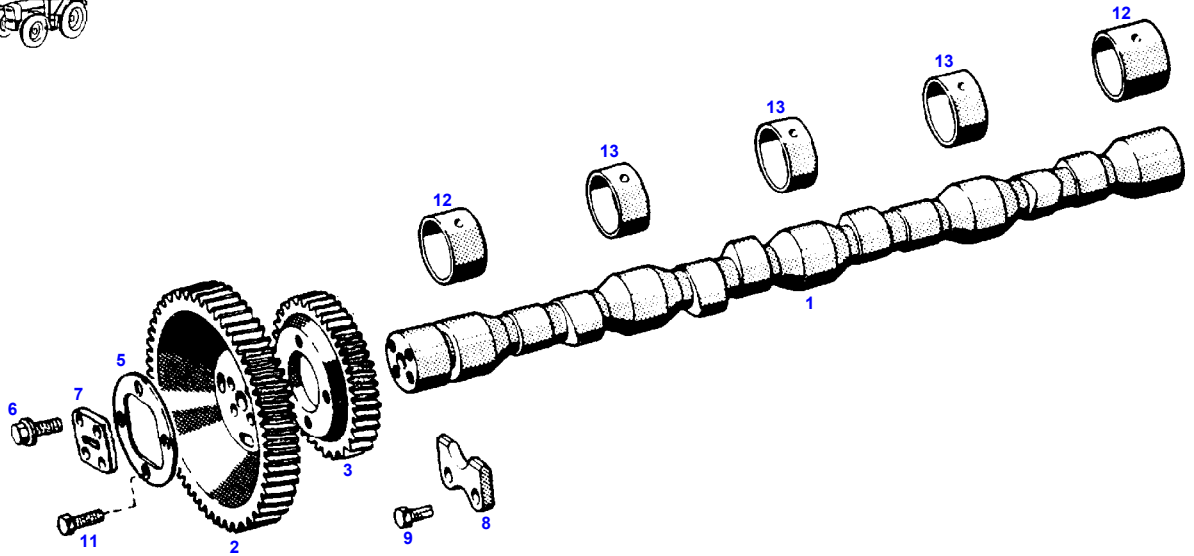


1708

Item	Part Number	Qty	Description Comments	Technical Specification
			<-- 135/4601	
1	72331779	3	PISTON ><1-7 --> 135/8195	
	72329076	3	PISTON ><1-7 <-- 135/8196	
	72331785	3	PISTON ><1-7 REPAIR STEP --> 135/8195	
	72329078	3	PISTON ><1-7 REPAIR STEP <-- 135/8196	
2	72329077	3	KEYSTONE RING	
	72329079	3	KEYSTONE RING REPAIR STEP	
3	72331781	3	TAPERED COMPRESSION RING	
	72331787	3	TAPERED COMPRESSION RING REPAIR STEP	
4	72331782	3	OIL SCRAPER RING	
	72331788	3	OIL SCRAPER RING REPAIR STEP	
5	72341114	3	WEDGE-SECTION RING	
	72326281	3	DOUBLE BEVELLED OIL CONTROL RING REPAIR STEP	
6			NOT AVAILABLE IN SINGLE PARTS	
7	72375604	6	LOCK WASHER --> 135/8195	DIN 472-32X1,2
	72311094	6	LOCK WASHER <-- 135/8196	DIN 472-35X1,5
10	72416097	1	PISTON ROD SET (4 PCE) SETWISE REPLACEMENT ONLY ><11-13 --> 135/8195	
	72341117	3	PISTON ROD ><11-13 <-- 135/8196	
11	72326953	3	SMALL-END BUSH --> 135/8195	
	72341118	3	SMALL-END BUSH <-- 135/8196	
12	72313802	3	TENSIONING PIN	ISO8752-4X16-A-ST-ZNPHR10F-KOE
13	72327143	6	CONNECTING ROD BOLT	
14	72327163	3	CONNECTING ROD BEARING 58,00 MM --> 135/8195	
	72327164	3	CONNECTING ROD BEARING 57,75 MM --> 135/8195	
	72327165	3	CONNECTING ROD BEARING 57,50 MM --> 135/8195	
	72327166	3	CONNECTING ROD BEARING 57,25 MM --> 135/8195	
	72327167	3	CONNECTING ROD BEARING 57,00 MM --> 135/8195	
	72341119	3	CONNECTING ROD BEARING 63,00 MM <-- 135/8196	

Item	Part Number	Qty	Description Comments	Technical Specification
	72341120	3	CONNECTING ROD BEARING 62,75 MM <-- 135/8196	
	72341121	3	CONNECTING ROD BEARING 62,50 MM <-- 135/8196	
	72341122	3	CONNECTING ROD BEARING 62,25 MM <-- 135/8196	
	72341123	3	CONNECTING ROD BEARING 62,00 MM <-- 135/8196	

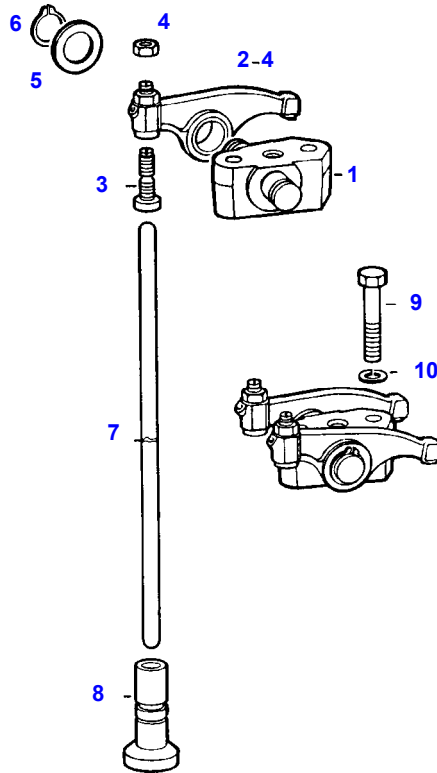
FARMER 102 (135/04601-99999)
11687



11687

Item	Part Number	Qty	Description Comments	Technical Specification
			<-- 135/4601	
1	72334053	1	CAMSHAFT	
2	72330784	1	SPUR GEAR	
3	72327170	1	SPUR GEAR	
5				
			NOT USED	
6	72375063	4	LOCK SCREW	FWN 64993 M8X22-12.9
7	72331325	1	PROFILED FLANGE	
8	72327172	1	SEGMENT	
9	72375061	2	LOCK SCREW	W151.12 M8X16-90
11	72375063	4	LOCK SCREW	FWN 64993 M8X22-12.9
12	72325608	2	BUSH	
13	72325609	2	BUSH	

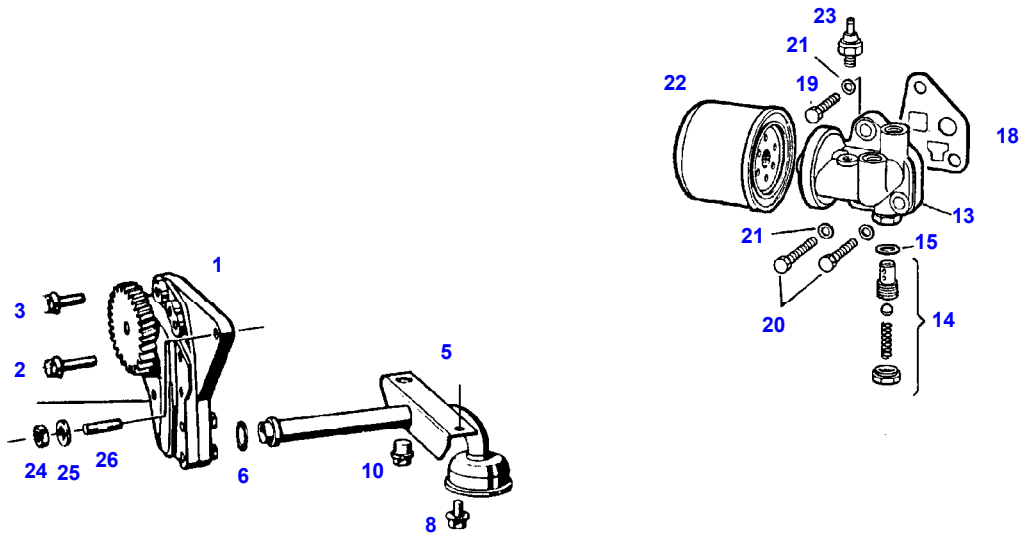
FARMER 102 (135/04601-99999)
3121



3121

Item	Part Number	Qty	Description Comments	Technical Specification
			<-- 135/4601	
1	72326928	3	ROCKER ARM SUPPORT <>	
	72321237	2	DISC	
2	72326251	6	ROCKER ARM ><2-4	
3	72328652	6	ADJUSTING SCREW	
4	72372806	6	NUT	DIN 934 M8-10A3L
5	72321237	6	DISC	
6	72375559	6	LOCK WASHER	DIN 471-16X1
7	72330785	6	BUMPER	
8	72334866	6	MUSHROOM TAPPET	
9	72315691	6	HEXAGONAL HEAD BOLT	DIN 933 M10X40-8.8A3L
10	72315054	6	SPLIT WASHER	FWN 65208-10-A3L

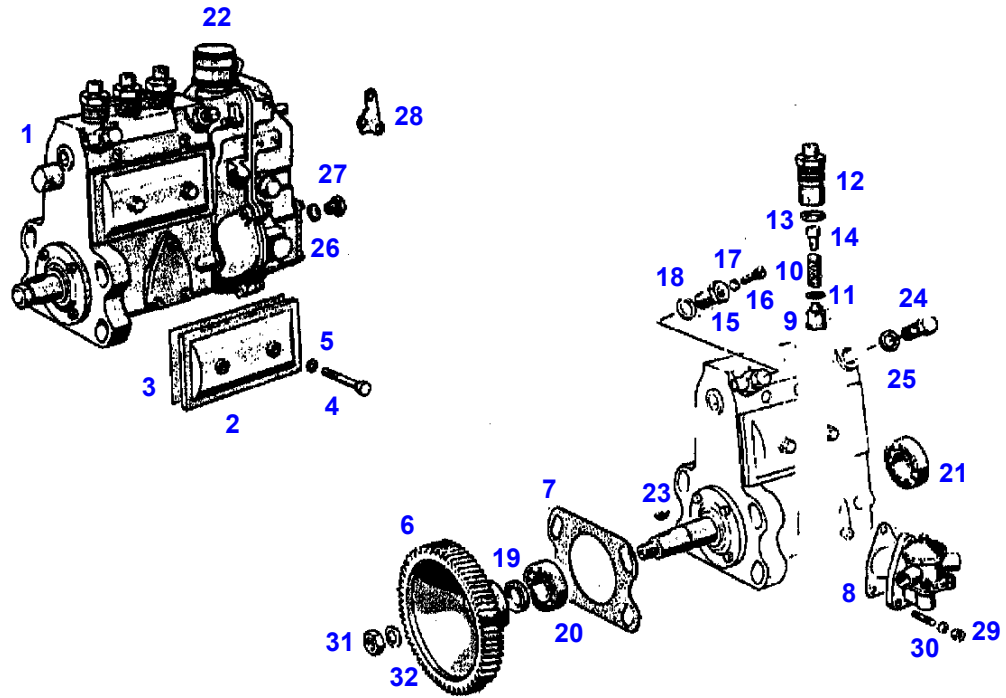
FARMER 102 (135/04601-99999)
3937



3937

Item	Part Number	Qty	Description Comments	Technical Specification
			GEAR PUMP <-- 135/4601	
1	72330776	1	OIL GEAR PUMP	
2	72375067	1	LOCK SCREW	FWN 64993 M8X35-90
3	72375063	2	LOCK SCREW	FWN 64993 M8X22-12.9
5	72326144	1	SUCTION LINE	
6	72376462	1	O-RING	20X4-FPM 70 FWN56402
8	72375061	1	LOCK SCREW	W151.12 M8X16-90
10	72373972	1	PLUG	DIN 910 M16X1,5-ST
13	72325600	1	FILTER HEAD ><14,15 <-- G510.201.900.100 <>	
	72315498	2	SOCKET HEAD BOLT	DIN 912 M10X40-8.8 OB1-SW
	72315494	1	SOCKET HEAD BOLT	DIN 912 M10X30-8.8
14	72327149	1	VALVE	
15	72315099	1	SEALING WASHER	DIN 7603 A18X22-CU
18	72327148	1	MOLDED SEAL	
19	72315682	1	HEXAGONAL HEAD BOLT	DIN 933 M10X28-8.8
20	72315691	1	HEXAGONAL HEAD BOLT	DIN 933 M10X40-8.8A3L
	72315689	1	HEXAGONAL HEAD BOLT	DIN 933 M10X35-8.8A3L
21	72317122	3	SPRING WASHER	DIN 137 B10-MECH.VZK
22	72327235	1	OIL FILTER	
23	72321488	1	OIL PRESSURE SENSOR <>	
	72314686	1	PLUG IN SLEEVE	
	72380428	1	SHIELD CAP	
24	72340921	1	MIDGRIP NUT ENG.NO. <-- 226.3.2.09864	
25	72340920	1	DISC ENG.NO. <-- 226.3.2.09864	
26	72374623	1	STUD BOLT ENG.NO. <-- 226.3.2.09864	DIN 939-M8X25-8.8

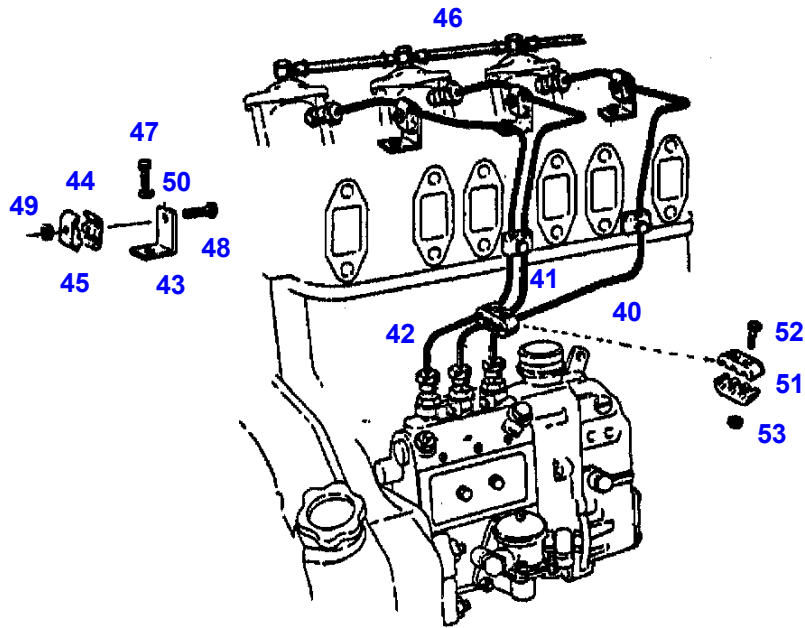
FARMER 102 (135/04601-99999)
31442



031442

Item	Part Number	Qty	Description Comments	Technical Specification
			<-- 135/4601	
1	72326155	1	INJECTION PUMP ><2-5	
	72326265	1	--> 135/10843 INJECTION PUMP ><2-5	
2	72327226	1	<-- 135/10844 COVER ><3	
3	72327227	1	SEAL	
4	72334895	2	HEXAGONAL HEAD BOLT	
5	72315084	2	SEALING WASHER	DIN 7603 A6X10-CU
6	72334209	1	SPUR GEAR	
7	72326991	1	MOLDED SEAL	
8	72328694	1	MOLDED SEAL	
9	72332133	3	PRESSURE VALVE	
10	72326997	3	COIL SPRING	
11	72332134	3	SEALING WASHER	
12	72332135	3	PIPE CONNECTION	
13	72332136	3	SEALING WASHER	
14	72614255	3	FILLING PIECE	
15	72327202	1	THREADED BUSHING	
16	72323290	1	BLEED SCREW	
17	72315084	1	SEALING WASHER	DIN 7603 A6X10-CU
18	72315097	2	SEALING WASHER	DIN 7603 A16X20-CU
19	72327019	1	RADIAL SEALING RING	
20	72378222	1	DEEP GROOVE BALL BEARING	DIN 625-6203 C3
21	72378179	1	SEPARABLE BALL BEARING	L17 DIN 615
22	72327018	1	FILTER	
23	72373427	1	WOODRUFF KEY	DIN 6888-3X6,5-ST60
24	72315808	1	BANJO BOLT	DIN 7643-10-3-A3L
25	72315094	2	SEALING WASHER	DIN 7603 A14X18-CU
26	72315088	2	SEALING WASHER	DIN 7603 A10X13,5-CU
27	72334210	2	SCREW	
28	72337466	1	STOP LEVER	
29	72313266	3	NUT	DIN 934 M6-8A3L
30	72317120	3	SPRING WASHER	DIN 137 B6-MECH.VZK
31	72313281	1	NUT	DIN 934 M14X1,5-8A3L
	72313276	1	--> 135/8195 NUT	DIN 934 M12-8A3L
			<-- 135/8196	
32	72375406	1	SPRING WASHER	DIN 137 B14-MECH.VZK GE.CR
	72315055	1	--> 135/8195 SPLIT WASHER <-- 135/8196	FWN 65208-12-A3L

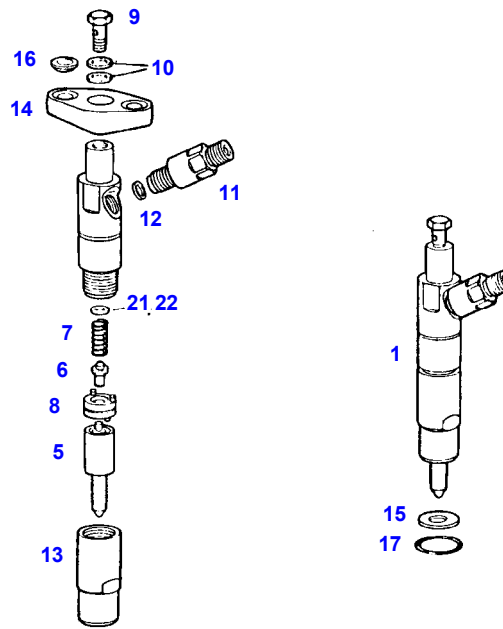
FARMER 102 (135/04601-99999)
31443



031443

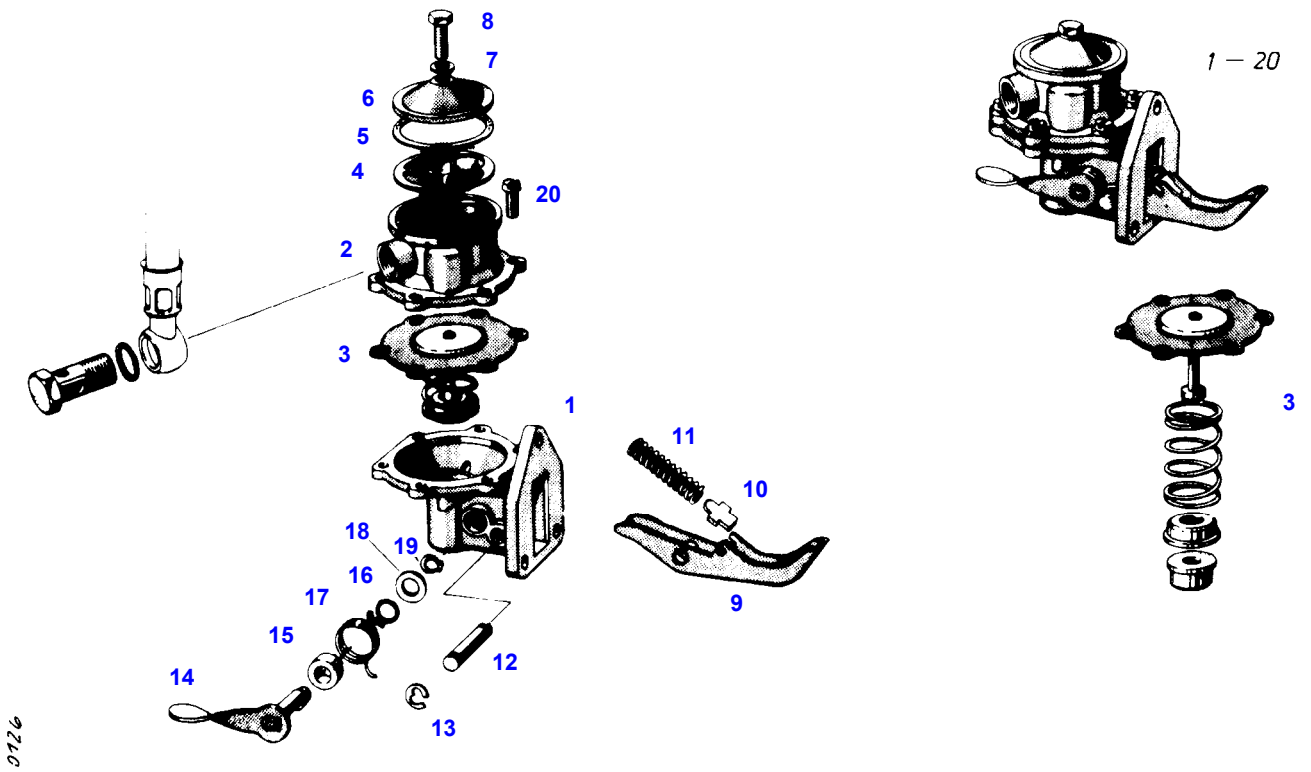
Item	Part Number	Qty	Description Comments	Technical Specification
			<-- 135/4601	
40	72329194	1	FUEL PRESSURE LINE ENG.NO. --> 226.3.2.09311	
	72339476	1	FUEL LINE ENG.NO. <-- 226.3.2.09312	
41	72329195	1	FUEL PRESSURE LINE ENG.NO. --> 226.3.2.09311	
	72340724	1	FUEL LINE ENG.NO. <-- 226.3.2.09312	
42	72329196	1	FUEL PRESSURE LINE ENG.NO. --> 226.3.2.09311	
	72340725	1	FUEL LINE ENG.NO. <-- 226.3.2.09312	
43	72327196	3	GUSSET PLATE	
44	72327982	6	CLIP HALF	
45	72327187	4	CLIP HALF	
46			SEE FUEL ASSEMBLY	
47	72315629	3	HEXAGONAL HEAD BOLT	DIN 933 M6 X 12-8.8A3L
48	72315633	6	HEXAGONAL HEAD BOLT	DIN 933 M6X25-8.8A3L
49	72313266	4	NUT	DIN 934 M6-8A3L
50	72317120	10	SPRING WASHER	DIN 137 B6-MECH.VZK
51	72327002	2	CLIP HALF	
52	72315633	1	HEXAGONAL HEAD BOLT	DIN 933 M6X25-8.8A3L
53	72313266	1	NUT	DIN 934 M6-8A3L

FARMER 102 (135/04601-99999)
4899



4899

Item	Part Number	Qty	Description Comments	Technical Specification
			<-- 135/4601	
1	72325892	3	INJECTOR ><1-13,21,22 ENG.NO. --> 226.3.2.09311	
	72339466	3	INJECTOR ><1-13,21,22 ENG.NO. <-- 226.3.2.09312	
5	72325895	3	MULTIPLE-ORIFICE INJECTOR ENG.NO. --> 226.3.2.09311	
	72339467	3	MULTIPLE-ORIFICE INJECTOR ENG.NO. <-- 226.3.2.09312	
6	72332206	3	PRESSURE BOLT	
7	72325194	3	COIL SPRING ENG.NO. --> 226.3.2.09311	
	72339472	3	COMPRESSION SPRING ENG.NO. <-- 226.3.2.09312	
8	72332207	3	SHIM DISC	
9	72315809	3	BANJO BOLT	DIN 7643-4-5-A3L
10	72315086	3	SEALING WASHER	DIN 7603 A8X11,5-CU
11	72332208	3	PIPE CONNECTION	
12	72327194	3	SEALING WASHER	
13	72332209	3	CONNECTING NUT	
14	72332210	3	RETAINER BOW	
15	72343954	3	SEALING WASHER	
16	72332214	6	SPHERICAL WASHER	
17	72376457	3	O-RING	20X2-NBR 70-FWN56402
21	72339468	X	DISC 0,80 MM ENG.NO. <-- 226.3.2.09312	
	72339469	X	DISC 0,85 MM ENG.NO. <-- 226.3.2.09312	
	72339470	X	DISC 0,90 MM ENG.NO. <-- 226.3.2.09312	
	72339471	X	DISC 0,95 MM ENG.NO. <-- 226.3.2.09312	
	72319287	X	DISC 1,00 MM	
	72319288	X	DISC 1,10 MM	
	72319289	X	DISC 1,15 MM	
	72319290	X	DISC 1,20 MM	
	72319291	X	DISC 1,30 MM	
	72319292	X	DISC 1,40 MM	
22	72319293	X	DISC 1,50 MM	
	72319294	X	DISC 1,60 MM	



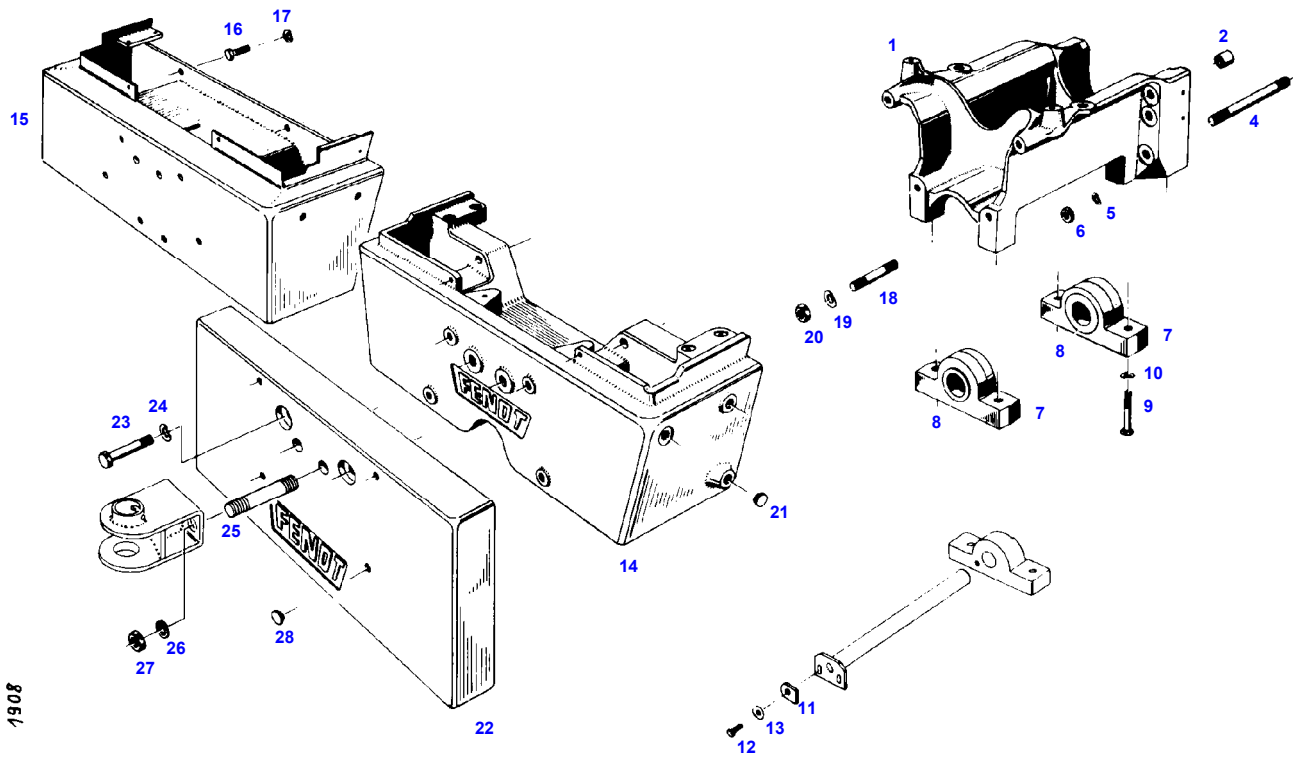
0126

Item	Part Number	Qty	Description Comments	Technical Specification
			<-- 135/4601	
1	72328691	1	FUEL PUMP PIERBURG >< 1-20 <-- F150.204.710.013	
	72451618	1	FUEL PUMP BD - TORINO	
			NOT AVAILABLE IN SINGLE PARTS	
			NO LONGER AVAILABLE REPAIR KIT PIERBURG ><4,5,16	
	72437162	1	REPAIR KIT BD - TORINO	
2			NOT AVAILABLE IN SINGLE PARTS	
3	72328697	1	DIAPHRAGM	
4	72328698	1	FUEL FILTER	
5	72328699	1	SEALING WASHER	
6	72328700	1	CAP	
7			NOT USED	
8	72335630	1	HEXAGONAL HEAD BOLT	
	72374399	1	HEXAGONAL HEAD BOLT	DIN 933 M5X18-8.8A3L
	72376018	1	SEALING WASHER	DIN 7603 A5X9-VF
9	72328701	1	PUMP LEVER	
10	72328702	1	SPRING SEAT	
11	72328703	1	COMPRESSION SPRING	
12	72328704	1	AXLE	
13	72328705	1	FUSE	
14	72328706	1	HAND LEVER	
15	72328707	1	SPACER RING	
			NOT AVAILABLE IN SINGLE PARTS	
17	72328709	1	RETURN SPRING	
18	72328710	1	MACHINE WASHER	
19	72328711	1	CIRCLIP	
20	72315403	6	SOCKET HEAD BOLT	DIN 84 M5X12-4.8

AXLES

Page Number	Page Title	Page Reference
02-0001	FRONT AXLE BRACKET <-- 135/4601	3010
02-0002	FRONT AXLE BRACKET FRONT POWER LIFT FRONT P.T.O. <-- 135/4601	3020
02-0003	AXLE BODY FIX 2WD	3030
02-0004	AXLE BODY 2WD 102 S	3040
02-0005	<-- 135/4601 --> 135/10125 STEERING KNUCKLE HUB 2WD 102 S	3045
02-0006	<-- 135/4601 --> 135/10125 AXLE BODY FRONT WHEEL SUSPENS. 2WD 102 S	3050
02-0007	<-- 135/10126 --> 135/11599 AXLE BODY FRONT WHEEL SUSPENS. 2WD 102 LS	3060
02-0008	FRONT WHEEL SUSPENS. 2WD 102 S	3070
02-0009	<-- 135/11600 AXLE BODY 4WD	3080
02-0010	<-- 135/4601 --> 135/5553 AXLE BODY 4WD	3090
02-0011	<-- 135/5554 DIFFERENTIAL 4WD	3100
02-0012	<-- 135/5554 LOCKABLE DIFFER.GEAR 4WD	3110
02-0013	<-- 135/12110 JOINT HOUSING PLANETARY DRIVE JOINT SHAFT 4WD	3120
02-0014	<-- 135/5554 JOINT SHAFT 4WD <-- 135/4601	3130

FARMER 102 (135/04601-99999)
1908



1908

Item	Part Number	Qty	Description Comments	Technical Specification
			<-- 135/4601	
1	72394621	1	FRONT AXLE BRACKET <>	
	72311793	6	DISC	DIN 125-17-ST.A3L
	72392256	2	BUSH	
2	72392256	2	BUSH	
	72311793	6	DISC	DIN 125-17-ST.A3L
			NOT ILLUSTRATED	
4	72313788	6	STUD BOLT	DIN 939 M16X110 N.V.GRT-10.9
			ALTERNATIVELY	
	72374721	6	STUD BOLT	DIN 939 M16X130-10.9 N.V.GRT.
			ALTERNATIVELY	
5	72315057	6	SPLIT WASHER	FWN 65208-16-A3L
6	72313282	6	NUT	DIN 934 M16-10
7	72389338	2	AXLE BEARING 102 S 2WD	
	72348304	2	--> 135/10125 AXLE BEARING ><8 102 S 2WD <-- 135/10126 <>	
	72313160	1	CONE-TYPE LUBICATING NIPPLE	
	72348304	2	AXLE BEARING ><8 102 LS 2WD <>	
	72313160	1	CONE-TYPE LUBICATING NIPPLE	
	72348304	2	AXLE BEARING ><8 4WD <>	
	72313160	1	CONE-TYPE LUBICATING NIPPLE	
8	72394603	2	BEARING BUSHING 102 S 2WD <-- 135/10126 --> 135/11375	
	72394603	2	BEARING BUSHING 102 LS 2WD --> 135/11375	
	72394603	2	BEARING BUSHING 4WD --> 135/11375	
	72393716	2	BUSH <-- 135/11376	
	72313164	1	CONE-TYPE LUBICATING NIPPLE 102 S 2WD <-- 135/10126 --> 135/11375	H1SFG8X1
			AIR BRAKING SYSTEM NOT ILLUSTRATED	
	72313164	1	CONE-TYPE LUBICATING NIPPLE 102 LS 2WD --> 135/11375 AIR BRAKING SYSTEM NOT ILLUSTRATED	H1SFG8X1

Item	Part Number	Qty	Description Comments	Technical Specification
	72313164	1	CONE-TYPE LUBICATING NIPPLE 4WD --> 135/11375 AIR BRAKING SYSTEM NOT ILLUSTRATED	H1SFG8X1
	72313160	1	CONE-TYPE LUBICATING NIPPLE <-- 135/11376 AIR BRAKING SYSTEM NOT ILLUSTRATED	
9	72315755	4	HEXAGONAL HEAD BOLT 102 S 2WD --> 135/10125	DIN 933 M20X60-8.8
	72374548	4	HEXAGONAL HEAD BOLT 102 S 2WD <-- 135/10126	DIN 933 M20X65 GWA-10.9
	72374548	4	HEXAGONAL HEAD BOLT 102 LS 2WD	DIN 933 M20X65 GWA-10.9
	72374548	4	HEXAGONAL HEAD BOLT 4WD	DIN 933 M20X65 GWA-10.9
10	72375409	4	SPRING WASHER	DIN 137 B20-ZNPHR
11	72389317	1	FUSE 102 S 2WD --> 135/10125	
12	72315705	1	HEXAGONAL HEAD BOLT 102 S 2WD --> 135/10125	DIN 933 M12X20-8.8A3L
13	72317123	1	SPRING WASHER 102 S 2WD --> 135/10125	DIN 137 B12-ZNPHR
14			NOT USED	
15	72353120	1	INTERMEDIATE SUPPORT	
	72353248	1	INTERMEDIATE SUPPORT AIR BRAKING SYSTEM	
16	72374493	2	HEXAGONAL HEAD BOLT	DIN 933 M14X30-8.8
	72315732	2	HEXAGONAL HEAD BOLT	DIN 933 M16X35-8.8A3L
17	72375406	2	SPRING WASHER	DIN 137 B14-MECH.VZK GE.CR
	72317125	2	SPRING WASHER	DIN 137 B16-ZNPHR
18			NOT USED	
19			NOT USED	
20			NOT USED	
21	72314753	6	LOCKING PLUG	F17
22	72317783	1	MOUNTING PLATE 90 KG OPTIONAL	
23	72315577	2	HEXAGONAL HEAD BOLT	DIN 931 M14X90-8.8A3L
24	72375406	2	SPRING WASHER	DIN 137 B14-MECH.VZK GE.CR
25	72313789	2	STUD BOLT	DIN 939 M22X45-8.8
	72374736	2	STUD BOLT	DIN 939 M22X110-8.8
26			NOT USED	
27	72313290	2	NUT	DIN 934 M22-18
28	72314741	4	PROTECTIVE PLUG	
	72389676	1	IDENTIFICATION PLATE NOT ILLUSTRATED	

Fendt

FARMER 102 (135/04601-99999)

F135001

FRONT AXLE BRACKET

Page02-0001

Item	Part Number	Qty	Description Comments	Technical Specification
	72492696	1	IDENTIFICATION PLATE NOT ILLUSTRATED EXPORT FRANKREICH	
	72414974	1	IDENTIFICATION PLATE NOT ILLUSTRATED EXPORT ITALIEN	
	72372693	4	SLOTTED PIN NOT ILLUSTRATED	DIN 1476-3X4-AL



Suggest:

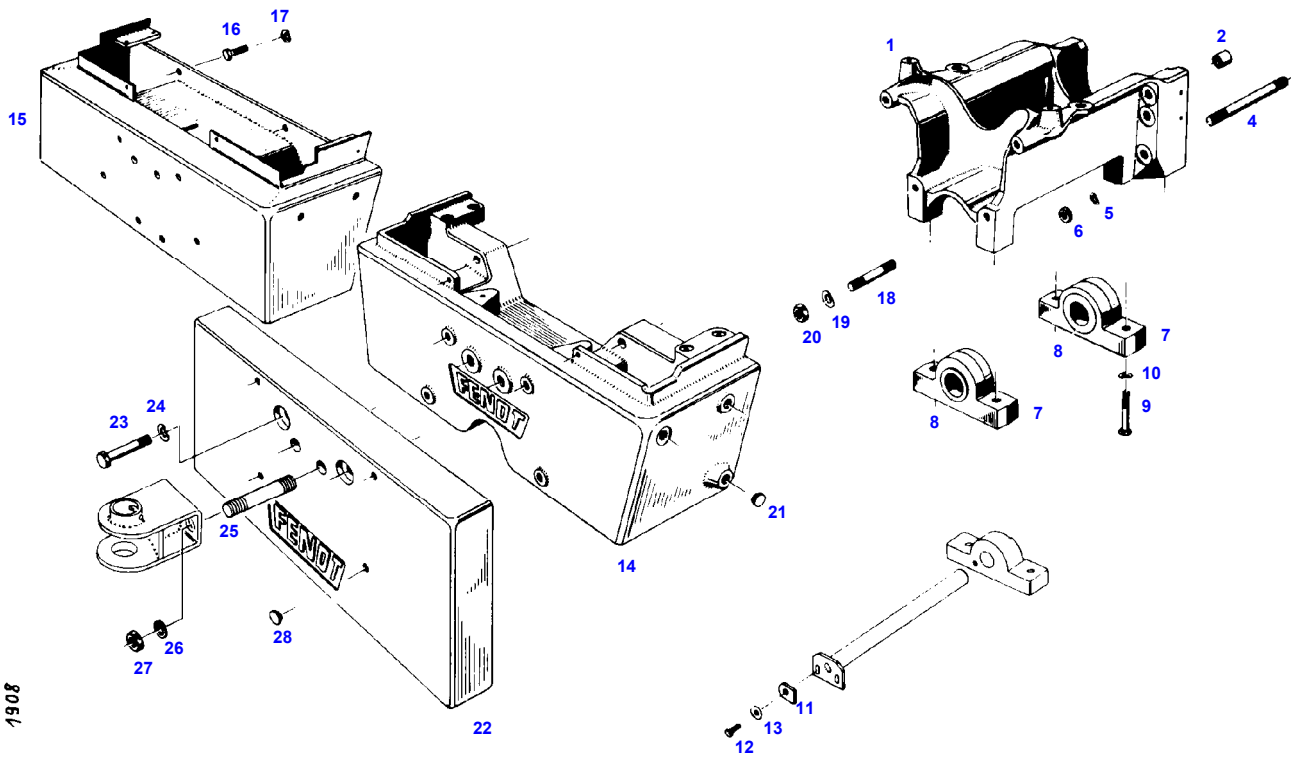
For more complete manuals. Please go to the home page.

<https://www.ebooklibonline.com>

If the above button click is invalid. Please download this document first, and then click the above link to download the complete manual.

Thank you so much for reading

FARMER 102 (135/04601-99999)
1908



1908

Item	Part Number	Qty	Description Comments	Technical Specification
			FRONT POWER LIFT FRONT P.T.O. <-- 135/4601	
1	72471948	1	NO LONGER AVAILABLE	
	72420954	2	TENSIONING PIN NOT ILLUSTRATED	S7X30
	72313840	2	TENSIONING PIN NOT ILLUSTRATED	ISO8752-12X30A-ST-ZNPHR10F-KOE
2	72399951	2	BUSHING	
	72311793	6	DISC NOT ILLUSTRATED	DIN 125-17-ST.A3L
4	72374722	4	STUD BOLT	DIN 939 M16X220 N.V.GRT-10.9
	72374721	2	STUD BOLT	DIN 939 M16X130-10.9 N.V.GRT.
5	72317125	2	SPRING WASHER	DIN 137 B16-ZNPHR
6	72313282	6	NUT	DIN 934 M16-10
7	72389338	2	AXLE BEARING 102 S 2WD --> 135/10125	
	72348304	2	AXLE BEARING ><8 102 S 2WD <-- 135/10126 <>	
	72313160	1	CONE-TYPE LUBICATING NIPPLE	
	72348304	2	AXLE BEARING ><8 102 LS 2WD <>	
	72313160	1	CONE-TYPE LUBICATING NIPPLE	
	72348304	2	AXLE BEARING ><8 4WD <>	
8	72313160	1	CONE-TYPE LUBICATING NIPPLE	
	72394603	2	BEARING BUSHING 102 S 2WD <-- 135/10126 --> 135/11375	
	72394603	2	BEARING BUSHING 102 LS 2WD --> 135/11375	
	72394603	2	BEARING BUSHING 4WD --> 135/11375	
	72393716	2	BUSH <-- 135/11376	
	72313164	1	CONE-TYPE LUBICATING NIPPLE 102 S 2WD <-- 135/10126 --> 135/11375 NOT ILLUSTRATED	H1SFG8X1
	72313164	1	CONE-TYPE LUBICATING NIPPLE 102 LS 2WD --> 135/11375 NOT ILLUSTRATED	H1SFG8X1
	72313164	1	CONE-TYPE LUBICATING NIPPLE 4WD --> 135/11375 NOT ILLUSTRATED	H1SFG8X1

<https://www.ebooklibonline.com>

Hello dear friend!

Thank you very much for reading.

Enter the link into your browser.

The full manual is available for immediate download.

<https://www.ebooklibonline.com>