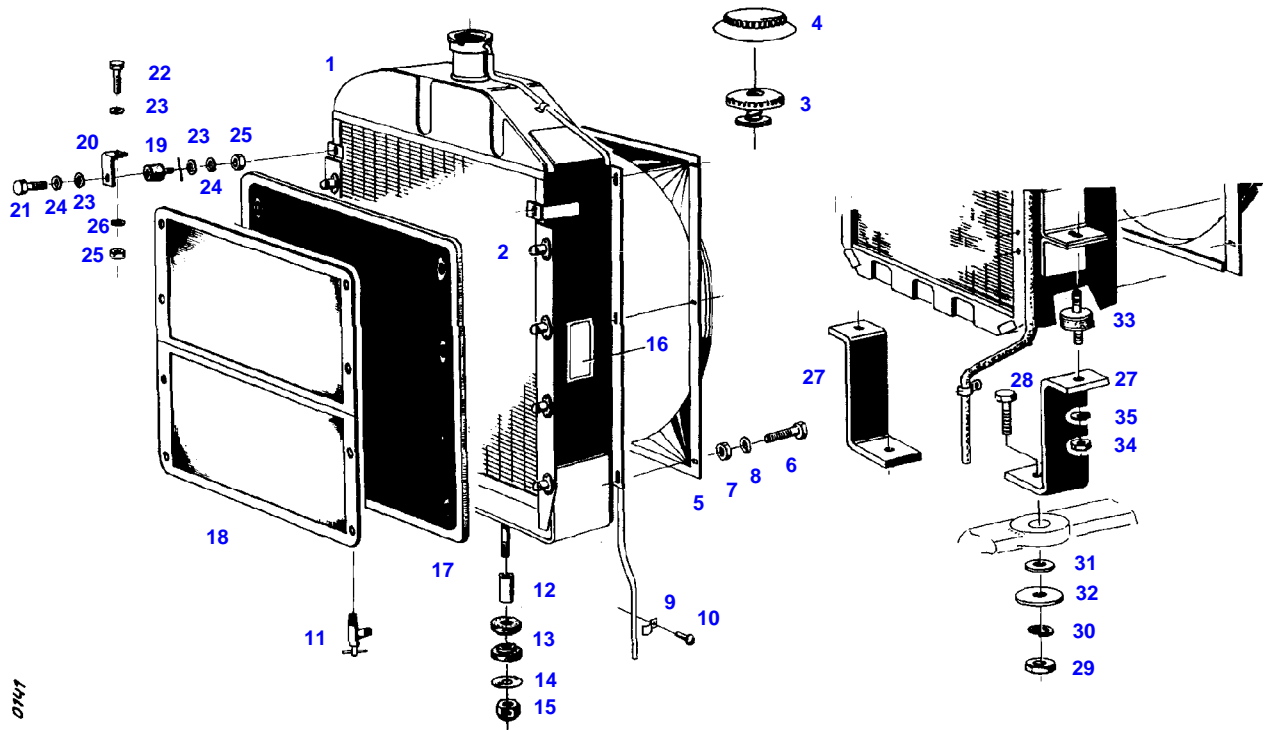


TABLE OF CONTENT

Page Number	Page Title	Page Reference
01-000-TOC	ENGINE, FUEL AND EXHAUST SYSTEM	01-000-TOC
02-000-TOC	AXLES	02-000-TOC
03-000-TOC	STEERING SYSTEM	03-000-TOC
04-000-TOC	DRIVE TRAIN SYSTEM	04-000-TOC
05-000-TOC	COMPRESSED AIR SYSTEM	05-000-TOC
06-000-TOC	HYDRAULIC SYSTEM	06-000-TOC
07-000-TOC	ELECTRICAL SYSTEM	07-000-TOC
08-000-TOC	CAB	08-000-TOC
09-000-TOC	CHASSIS	09-000-TOC
10-000-TOC	WHEELS	10-000-TOC
11-000-TOC	IMPLEMENT LIFT SYSTEM FRONT	11-000-TOC
12-000-TOC	IMPLEMENT LIFT SYSTEM REAR	12-000-TOC
13-000-TOC	FRONT/REAR LOADERS	13-000-TOC
14-000-TOC	ATTACHMENTS	14-000-TOC
15-000-TOC	ACCESSORIES	15-000-TOC



0141

Item	Part Number	Qty	Description Comments	Technical Specification
			--> 268/8300	
1	72349165	1	RADIATOR CORE --> 268/4000	
	72349493	1	RADIATOR CORE <-- 268/4001	
	72436028	1	HOSE NOT ILLUSTRATED	L=1500FWN65912-10X2-PVC-W-G
2	72322583	8	HANDLE --> 268/4000	LANG *DVS 2186
	72328195	6	TURN LOCK <-- 268/4001	
	72375009	12	SCREW NOT ILLUSTRATED <-- 268/4001	DIN 7973 B3,5X9,5-V2A
3	72356144	1	BAYONET CAP --> 268/4000	
	72478248	1	COLLER LOCKING <-- 268/4001	
4	72394572	1	PLASTIC CAP	
5	72355069	1	FAN COVER --> 268/4000	
	72360866	1	FAN COVER TROPICAL VERSION <-- 268/4001	
6	72315819	6	SCREW --> 268/4000	DIN7976-ST4,8X13-C-A3L
	72374920	8	SCREW TROPICAL VERSION <-- 268/4001	DIN 7981 B3,5X9,5-V2A
7	72329197	6	SPEED NUT --> 268/4000	
	72373046	8	SPEED NUT TROPICAL VERSION <-- 268/4001	3,9-A3L
8	72311785	6	DISC --> 268/4000	DIN 125-5,3-ST.A3L
	72311785	8	DISC TROPICAL VERSION <-- 268/4001	DIN 125-5,3-ST.A3L
9	72311237	1	FASTENING COLLAR	DIN 72571-1X10-ST A3L
10	72372699	1	SLOTTED PIN	DIN 1476-4X6-ST.A3L
11	72378063	1	RELIEF VALVE	DIN71401-CM14X1,5KEG
	72389310	1	HOSE NOT ILLUSTRATED <-- 268/4001	
	72438345	1	HOSE CLIP NOT ILLUSTRATED <-- 268/4001	
12	72391200	2	SPACER BUSHING --> 268/4000	
13	72311639	4	RADIATOR DAMPER --> 268/4000	
14	72311849	2	DISC --> 268/4000	
15	72313327	2	NUT --> 268/4000	DIN 980-VM14-8-A3L
16	72379109	2	MARKING PLATE	FWN66556-35X68-SCHUTZVORR.N.OE
17			NO LONGER AVAILABLE NOT USED AT TROPICAL VERSION	
18			NO LONGER AVAILABLE	
19	72310625	2	BUFFER	
20	72402581	2	ANGLE	
21	72374403	2	HEXAGONAL HEAD BOLT	DIN 933 M6X10-8.8

<https://www.ebooklibonline.com>

Hello dear friend!

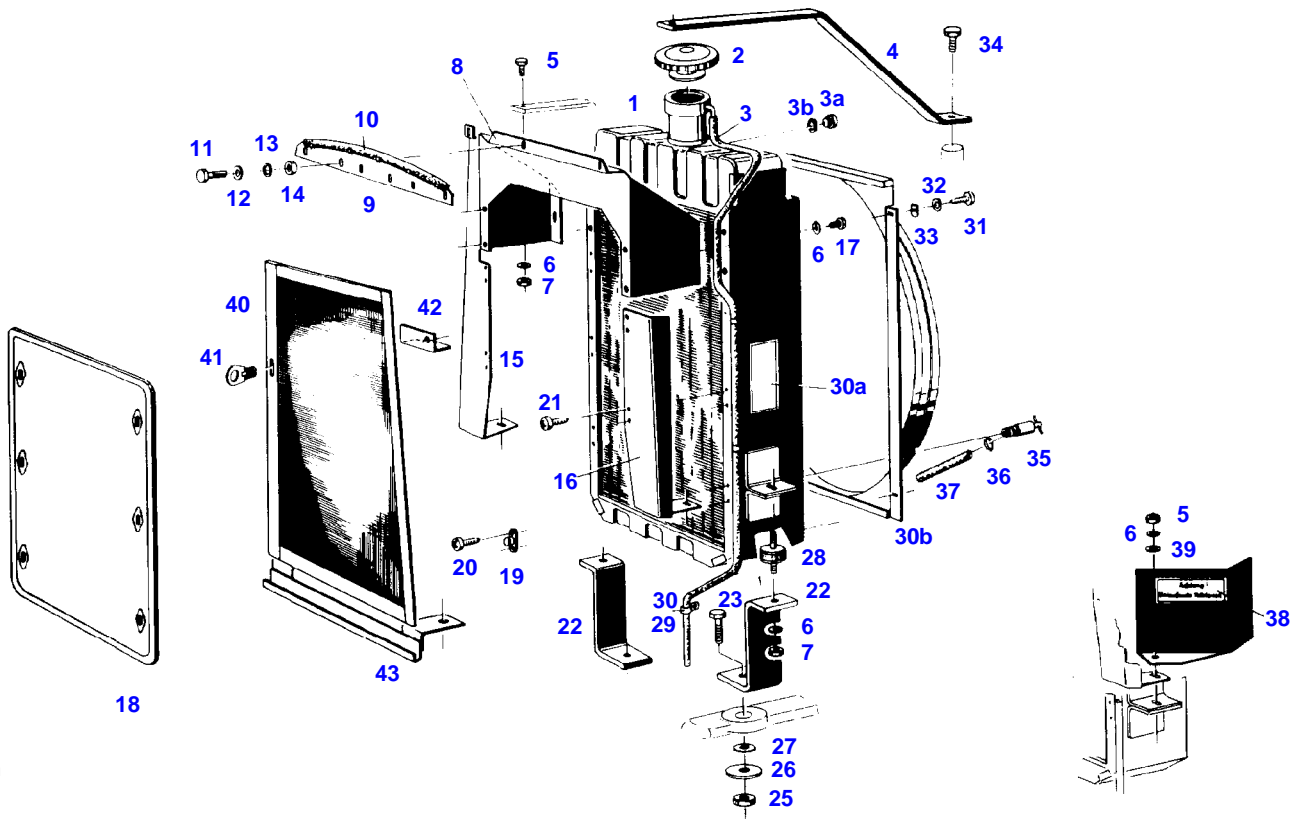
Thank you very much for reading.

Enter the link into your browser.

The full manual is available for immediate download.

<https://www.ebooklibonline.com>

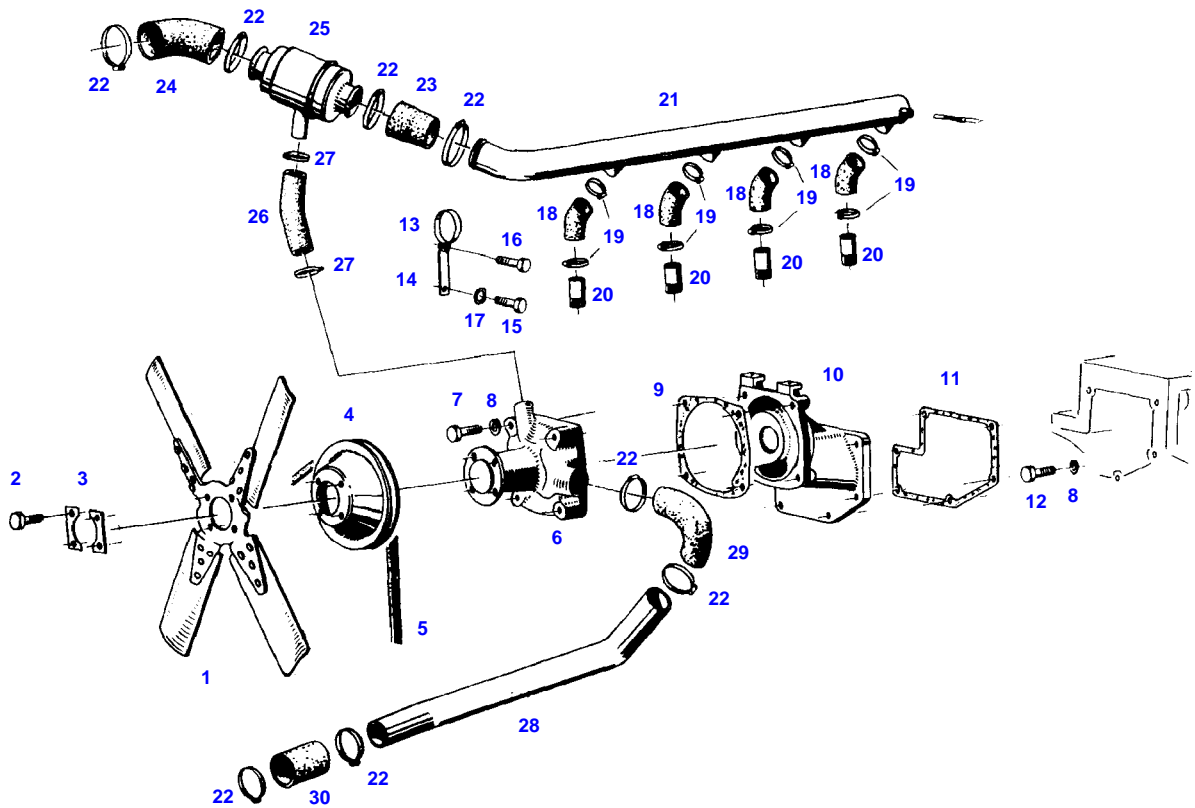
Item	Part Number	Qty	Description Comments	Technical Specification
22	72315626	2	HEXAGONAL HEAD BOLT	DIN 933-M6 X 16-8.8-A3L
	72311787	2	DISC NOT ILLUSTRATED <-- 268/4001	DIN 125-6,4-ST.A3L
23	72311822	6	DISC	DIN9021-6,4-140HV-A3L
24	72317120	4	SPRING WASHER	DIN 137 B6-MECH.VZK
25	72313266	4	NUT	DIN 934 M6-8A3L
26	72315052	2	SPLIT WASHER	FWN 65208-6-A3L
27	72389307	2	MOUNTING ANGLE <-- 268/4001	
28	72315691	2	HEXAGONAL HEAD BOLT <-- 268/4001	DIN 933 M10X40-8.8A3L
29	72372811	2	NUT <-- 268/4001	DIN 934 M10-10A3L
30	72315054	2	SPLIT WASHER <-- 268/4001	FWN 65208-10-A3L
31	72311845	2	DISC <-- 268/4001	
32	72387058	2	DISC <-- 268/4001	
33	72310619	2	BUFFER NOT ILLUSTRATED <-- 268/4001	
	72311788	2	DISC	DIN 125-8,4-ST.A3L
34	72313268	4	NUT <-- 268/4001	DIN 934 M8-8A3L
35	72315053	4	SPLIT WASHER <-- 268/4001	FWN 65208-8-A3L



0142

Item	Part Number	Qty	Description Comments	Technical Specification
			<-- 268/8301	
1	72349622	1	RADIATOR CORE	
2	72478248	1	COLLER LOCKING	
3	72436028	1	HOSE	L=1500FWN65912-10X2-PVC-W-G
	72374934	1	SCREW NOT NEEDED WITH HEATING <-- 268/11282	DIN 7604 AM8X1-ST
	72315086	1	SEALING WASHER NOT NEEDED WITH HEATING <-- 268/11282	DIN 7603 A8X11,5-CU
4			NO LONGER AVAILABLE	
5	72315642	1	HEXAGONAL HEAD BOLT	DIN 933 M8 X 16-8.8A3L
6	72315053	9	SPLIT WASHER	FWN 65208-8-A3L
7	72313268	5	NUT	DIN 934 M8-8A3L
8	72404231	1	MOUNTING BRACKET	
9	72347565	1	BARRIER WALL >>10	
10	72451145	1	PROTECTIVE STRIP 1X 500 MM CUT TO LENGTH	L=720 FWN 63040
11	72315621	2	HEXAGONAL HEAD BOLT	DIN 933 M5X12-8.8A3L
12	72311785	4	DISC	DIN 125-5,3-ST.A3L
13	72315051	2	SPLIT WASHER	FWN 65208-5-A3L
14	72313264	2	NUT	DIN 934 M5-8A3L
15	72404232	1	SIDE PLATE RIGHT	
16	72404233	1	SIDE PLATE LEFT	
17	72315645	4	HEXAGONAL HEAD BOLT	DIN 933 M8 X 12-8.8A3L
18			NO LONGER AVAILABLE	
19	72328195	6	TURN LOCK <-- 268/11282	
20	72315835	12	SCREW <-- 268/11282	DIN 7983 ST3,5X9,5-C-H-A3
21	72315781	4	SCREW <-- 268/11282	DIN 7981 ST3,5X9,5-C-H-A3
22	72389307	2	MOUNTING ANGLE <-- 268/11282	
23	72315691	2	HEXAGONAL HEAD BOLT <-- 268/11282	DIN 933 M10X40-8.8A3L
25	72313272	2	NUT <-- 268/11282	DIN 934 M10-8A3L
26	72387058	2	DISC <-- 268/11282	
27	72311845	2	DISC <-- 268/11282	
28	72310619	2	BUFFER <-- 268/11282	
29	72311237	1	FASTENING COLLAR <-- 268/11282	DIN 72571-1X10-ST A3L
30	72372699	1	SLOTTED PIN <-- 268/11282	DIN 1476-4X6-ST.A3L
	72379109	2	MARKING PLATE <-- 268/11282	FWN66556-35X68-SCHUTZVORR.N.OE
	72361694	1	FAN COVER STANDARD <-- 268/11282	
31	72315781	4	SCREW	DIN 7981 ST3,5X9,5-C-H-A3
32	72311785	4	DISC	DIN 125-5,3-ST.A3L
33	72373046	4	SPEED NUT	3,9-A3L
34	72374490	1	HEXAGONAL HEAD BOLT	DIN 933 M14X20-8.8
35	72378063	1	RELIEF VALVE	DIN71401-CM14X1,5KEG

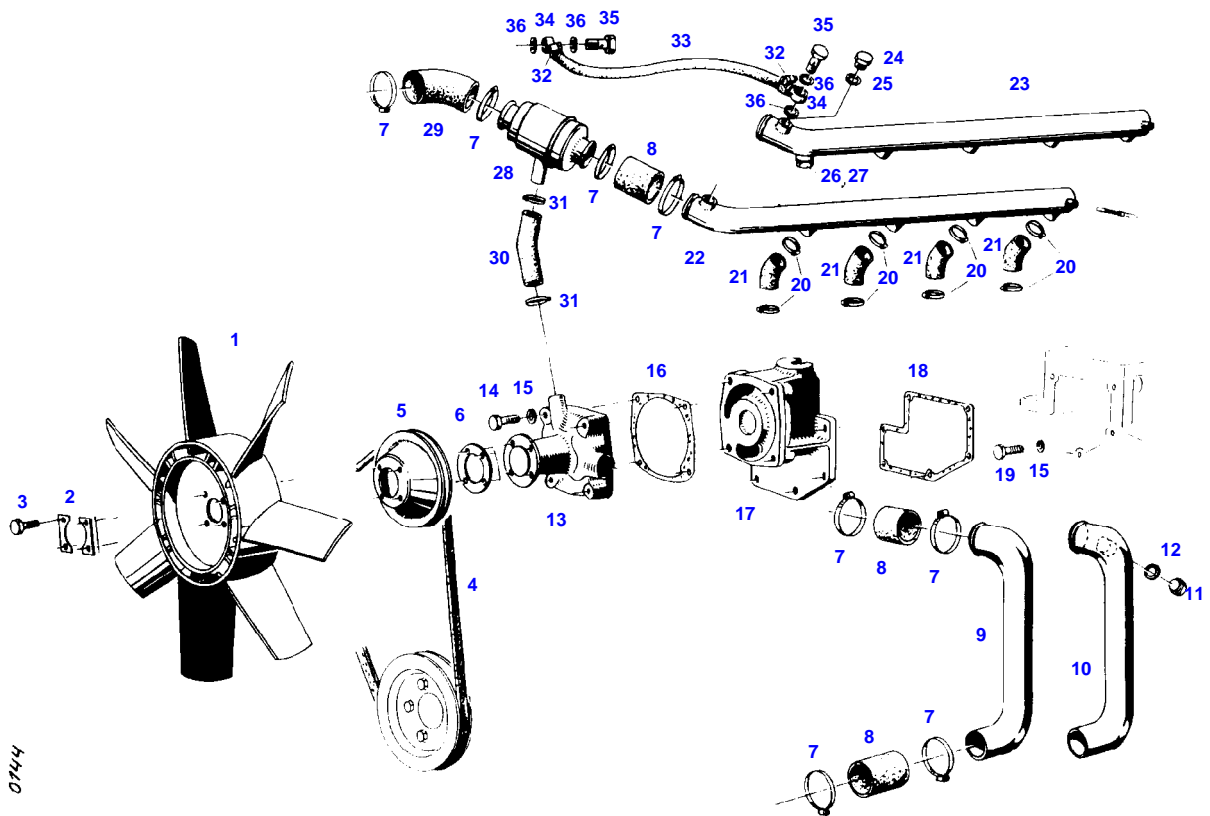
Item	Part Number	Qty	Description Comments	Technical Specification
36	72438345	1	HOSE CLIP	
37	72389310	1	HOSE	
38	72404235	1	SHROUD PANEL	
39	72311788	2	DISC	DIN 125-8,4-ST.A3L
40	72361693	1	RADIATOR PROTECTIVE GRILL	
41	72334276	1	CATCH	
42	72404236	1	ANGLE	
43	72361692	1	GUIDE PLATE	



0143

Item	Part Number	Qty	Description Comments	Technical Specification
			CENTRIFUGAL PUMP PIPE --> 268/8300	
1	72328674	1	FAN --> 268/4000	
	72337468	1	FAN <-- 268/4001	
2	72315650	4	HEXAGONAL HEAD BOLT	DIN 933 M8 X 20-8.8A3L
3	72327020	2	LOCK PLATE	
4	72327206	1	V BELT SHEAVE --> 268/4000	
	72330787	1	V BELT SHEAVE <-- 268/4001	
	72327206	1	V BELT SHEAVE TROPICAL VERSION NOT ILLUSTRATED <-- 268/4001	
	72394835	1	DISC TROPICAL VERSION NOT ILLUSTRATED <-- 268/4001	
5			SEE ELECTRICAL SYSTEM ALTERNATOR ASSY.	
6	72340133	1	CENTRIFUGAL PUMP	
7	72315659	4	HEXAGONAL HEAD BOLT	DIN 933 M8X35-8.8
8	72315053	10	SPLIT WASHER	FWN 65208-8-A3L
9	72328678	1	SEAL	
10	72328671	1	INTERMEDIATE PIECE	
11			SEE CRANKCASE	
12	72315653	6	HEXAGONAL HEAD BOLT	DIN 933 M8 X 25-8.8A3L
13	72337051	2	PIPE CLAMP	
14	72337052	2	PLATE LINK	
15	72374403	2	HEXAGONAL HEAD BOLT NO LONGER AVAILABLE	DIN 933 M6X10-8.8
17	72315052	2	SPLIT WASHER	FWN 65208-6-A3L
18	72399869	4	RUBBER ARCH	
19	72311167	8	HOSE CLIP	
20	72334841	4	PIPE PIECE	
21	72355068	1	PRESSURE LINE <-- 268/4001 --> 268/4514 <> <-- H258.207.050.020 <>	
	72450416	1	HOSE	L=120 DIN73411-35X
	72359328	1	PRESSURE LINE HEATING --> 268/4000	
22	72311162	8	HOSE CLIP	
23	72399870	1	REDUCER --> 268/4000	
	72394837	1	RUBBER ARCH <-- 268/4001 --> 268/4514	
	72450416	1	HOSE 1X 60MM CUT TO LENGTH <-- 268/4515	L=120 DIN73411-35X
24	72399871	1	RUBBER ARCH	
25	72380193	1	THERMOSTAT	75GR+-2GR
26	72399872	1	RUBBER ARCH --> 268/4000	
	72436027	1	HOSE 1X 130MM <-- 268/4001	L=320 DIN73411-25X3,5 R
27	72311167	2	HOSE CLIP	

Item	Part Number	Qty	Description Comments	Technical Specification
28	72392240	1	SUCTION LINE --> 268/4000	
	72389308	1	SUCTION LINE <-- 268/4001	
	72353222	1	SUCTION LINE HEATING <-- 268/4001	
29	72399873	1	RUBBER ARCH --> 268/4000	
	72450416	1	HOSE 1X 60MM CUT TO LENGTH <-- 268/4001	L=120 DIN73411-35X
30	72450416	1	HOSE 1X 60MM CUT TO LENGTH	L=120 DIN73411-35X



0744

Item	Part Number	Qty	Description Comments	Technical Specification
			CENTRIFUGAL PUMP PIPE <-- 268/8301	
1	72337468	1	FAN	
2	72327020	2	LOCK PLATE	
3	72315650	4	HEXAGONAL HEAD BOLT	DIN 933 M8 X 20-8.8A3L
4				
			SEE ELECTRICAL SYSTEM ALTERNATOR ASSY.	
5	72327206	1	V BELT SHEAVE NOT NEEDED WITH AIR BRAKE	
	72327206	1	V BELT SHEAVE TROPICAL VERSION	
6	72394835	1	DISC TROPICAL VERSION	
7	72311162	8	HOSE CLIP	
8	72450416	1	HOSE 3X 60MM CUT TO LENGTH	L=120 DIN73411-35X
9	72389308	1	SUCTION LINE NOT NEEDED WITH HEATING 106 S	
	72360673	1	SUCTION LINE HEATING 106 S	
	72315097	1	<> SEALING WASHER	DIN 7603 A16X20-CU
	72402196	1	TUBE FITTING	
	72389308	1	SUCTION LINE TROPICAL VERSION	
10	72360673	1	SUCTION LINE 106 LS	
11	72315800	1	SCREW NOT NEEDED WITH HEATING	DIN7604 AM16X1,5-ST-A3L
12	72315097	1	SEALING WASHER NOT NEEDED WITH HEATING	DIN 7603 A16X20-CU
13				
			NO LONGER AVAILABLE ENG.NO. --> 226.4.13498 <-- F281.200.610.010 1X	
	72340133	1	CENTRIFUGAL PUMP ENG.NO. <-- 226.4.13499	
	72328687	1	REPAIR KIT ENG.NO. --> 226.4.13498 <-- F281.200.610.010 1X	
	72340135	1	REPAIR KIT ENG.NO. <-- 226.4.13499 <-- F281.200.610.010 1X	
	72328682	1	FACE SEAL ENG.NO. --> 226.4.13498 <-- F281.200.610.010 1X	
	72340137	1	FACE SEAL ENG.NO. <-- 226.4.13499	
	72340139	1	COUNTER RING ENG.NO. <-- 226.4.13499	
	72340140	1	IMPELLER ENG.NO. <-- 226.4.13499	

Item	Part Number	Qty	Description Comments	Technical Specification
14	72315659	4	HEXAGONAL HEAD BOLT	DIN 933 M8X35-8.8
15	72315053	10	SPLIT WASHER	FWN 65208-8-A3L
16	72328678	1	SEAL	
17	72328671	1	INTERMEDIATE PIECE	
18			SEE CRANKCASE	
19	72315653	6	HEXAGONAL HEAD BOLT	DIN 933 M8 X 25-8.8A3L
20	72311167	8	HOSE CLIP	
21	72399869	4	RUBBER ARCH	
22	72355068	1	PRESSURE LINE --> 268/9100 <-- H258.207.050.020	
	72359328	1	PRESSURE LINE HEATING --> 268/9100	
23	72360674	1	PRESSURE LINE <-- 268/9101 <> 24-27 <>	
	72315086	1	SEALING WASHER	DIN 7603 A8X11,5-CU
	72315097	1	SEALING WASHER	DIN 7603 A16X20-CU
	72374934	1	SCREW	DIN 7604 AM8X1-ST
	72315800	1	SCREW	DIN7604 AM16X1,5-ST-A3L
	72337051	2	PIPE CLAMP <-- 268/11952 NOT ILLUSTRATED	
	72337052	2	PLATE LINK <-- 268/11952 NOT ILLUSTRATED	
24	72374934	1	SCREW <-- 268/11282	DIN 7604 AM8X1-ST
25	72315086	1	SEALING WASHER <-- 268/11282	DIN 7603 A8X11,5-CU
26	72315800	1	SCREW <-- 268/11282	DIN7604 AM16X1,5-ST-A3L
27	72315097	1	SEALING WASHER <-- 268/11282	DIN 7603 A16X20-CU
28	72380193	1	THERMOSTAT	75GR+-2GR
29	72399871	1	RUBBER ARCH	
30	72436027	1	HOSE 1X 130MM	L=320 DIN73411-25X3,5 R
31	72311167	2	HOSE CLIP	
32	72438345	2	HOSE CLIP HEATING --> 268/13428	
	72438345	1	HOSE CLIP HEATING <-- 268/13429	
33	72378080	1	PRESSURE HOSE HEATING --> 268/13428 <>	
	72379995	1	BLEEDER VALVE	
	72399926	1	LABEL	
	72378080	1	PRESSURE HOSE HEATING <-- 268/13429	
	72379995	1	BLEEDER VALVE HEATING <-- 268/13429	
	72399926	1	LABEL HEATING <-- 268/13429	
34	72377530	2	RING HOSE NIPPLE HEATING --> 268/13428	FWN65910-A-DN2

Fendt

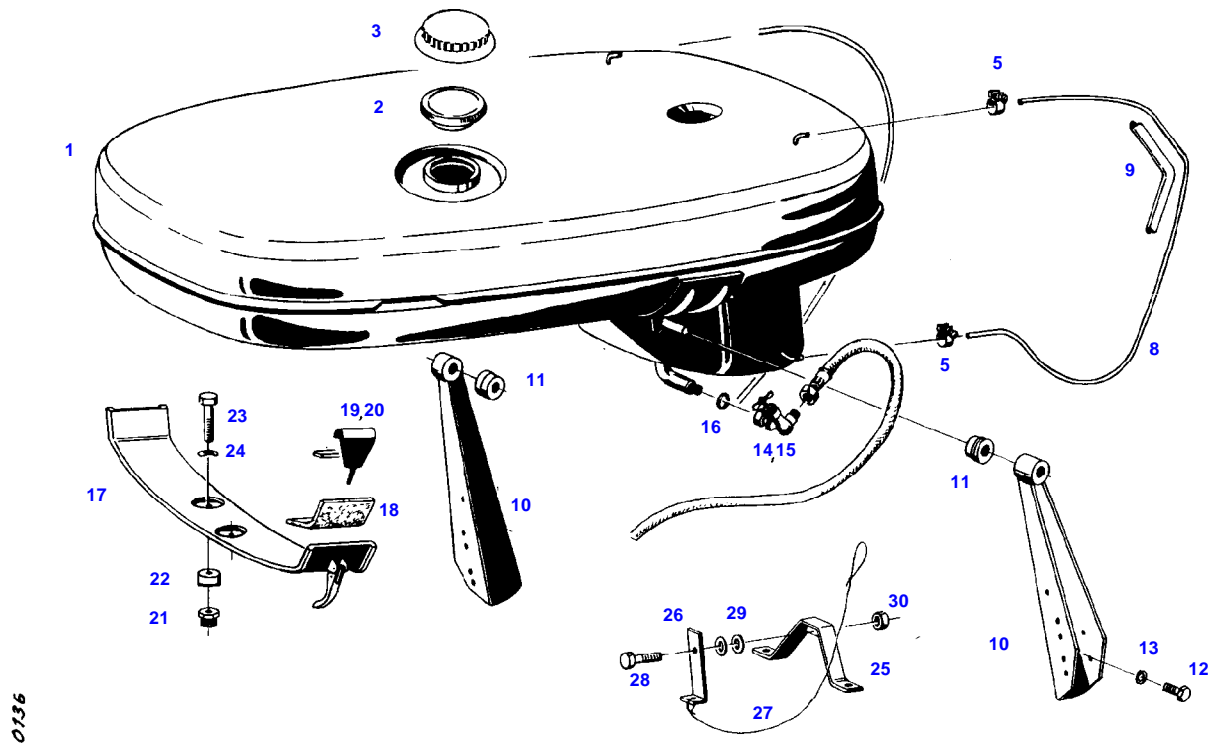
FARMER 5S/106 (268/00001-99999)

F268000

COOLING SYSTEM

Page01-0010

Item	Part Number	Qty	Description Comments	Technical Specification
35	72315809	2	BANJO BOLT HEATING	DIN 7643-4-5-A3L
36	72315086	4	SEALING WASHER HEATING	DIN 7603 A8X11,5-CU



0136

Item	Part Number	Qty	Description Comments	Technical Specification
			--> 268/8300	
1	72360669	1	FUEL TANK --> 268/4000 <> <>	
	72375716	5	LOCKING HEX SCREW	M5
	72315789	5	SCREW	DIN 7981 ST4,8X9,5-C-H-A3
	72376132	1	SEALING WASHER	
	72360669	1	FUEL TANK <-- 268/4001 <> <>	
	72373475	2	HOSE CLIP	
	72436280	1	HOSE	L=1350 FWN65912-3X1,5
	72337039	1	FUEL LEVEL SENSOR NOT ILLUSTRATED <-- 268/4001	
	72376132	1	SEALING WASHER NOT ILLUSTRATED <-- 268/4001	
	72375716	4	LOCKING HEX SCREW NOT ILLUSTRATED <-- 268/4001	M5
	72376017	1	SEALING WASHER NOT ILLUSTRATED <-- 268/4001	DIN 7603-A5X7,5-CU
	72315791	5	SCREW NOT ILLUSTRATED <-- 268/4001	DIN 7981 ST4,8X19-C-H-A3L
2	72380143	1	FUEL CAP	M.BELUEF
	72330725	1	SEAL NOT ILLUSTRATED	
	72330726	1	SEAL NOT ILLUSTRATED	
3	72394572	1	PLASTIC CAP	
5	72373475	2	HOSE CLIP --> 268/4000	
8	72436280	1	HOSE 1X 1350MM --> 268/4000	L=1350 FWN65912-3X1,5
9			NO LONGER AVAILABLE	
10	72353104	2	BEARING RETAINER	
11	72399882	2	BUSH	
12	72315678	3	HEXAGONAL HEAD BOLT	DIN 933 M10X20-8.8
	72315680	1	HEXAGONAL HEAD BOLT	DIN 933 M10 X 25-8.8
13	72315054	4	SPLIT WASHER	FWN 65208-10-A3L
14	72358787	1	FUEL SHUT-OFF VALVE ><15	
15			NO LONGER AVAILABLE	
16	72315087	1	SEALING WASHER	DIN 7603 A8X14-CU
17	72359309	1	TANK SUPPORT	
18	72392241	2	BAND	
19	72355071	2	CLAMPING CLAW	
20	72399881	2	PLASTIC STRIP	
21	72399877	2	REDUCING SCREW	
22	72310633	2	BUFFER	
23	72315644	2	HEXAGONAL HEAD BOLT	DIN 933 M8X10-8.8A3L
24	72311824	2	DISC	DIN9021-8,4-140HV-A3L
25			NO LONGER AVAILABLE	
	72311789	4	DISC NOT ILLUSTRATED	DIN 125-10,5-ST.A3L
26			NO LONGER AVAILABLE	

Fendt

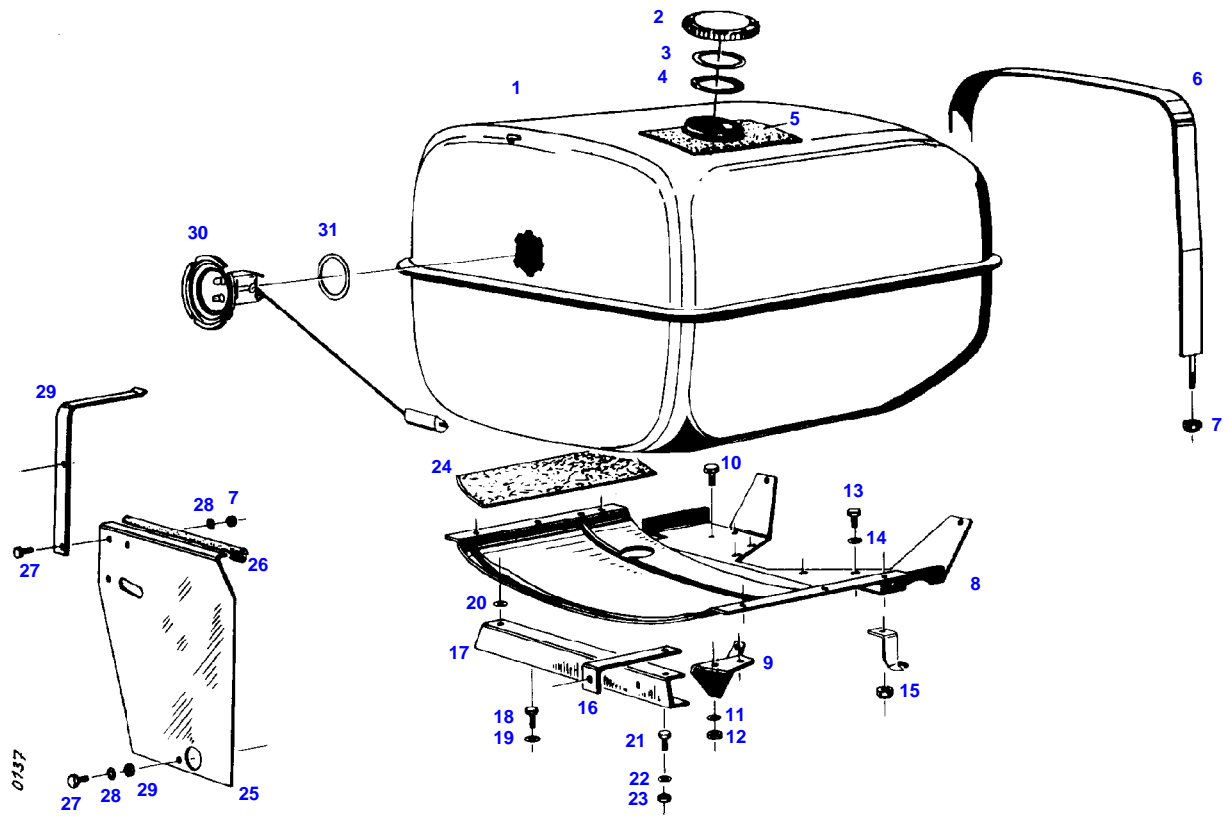
FARMER 5S/106 (268/00001-99999)

F268000

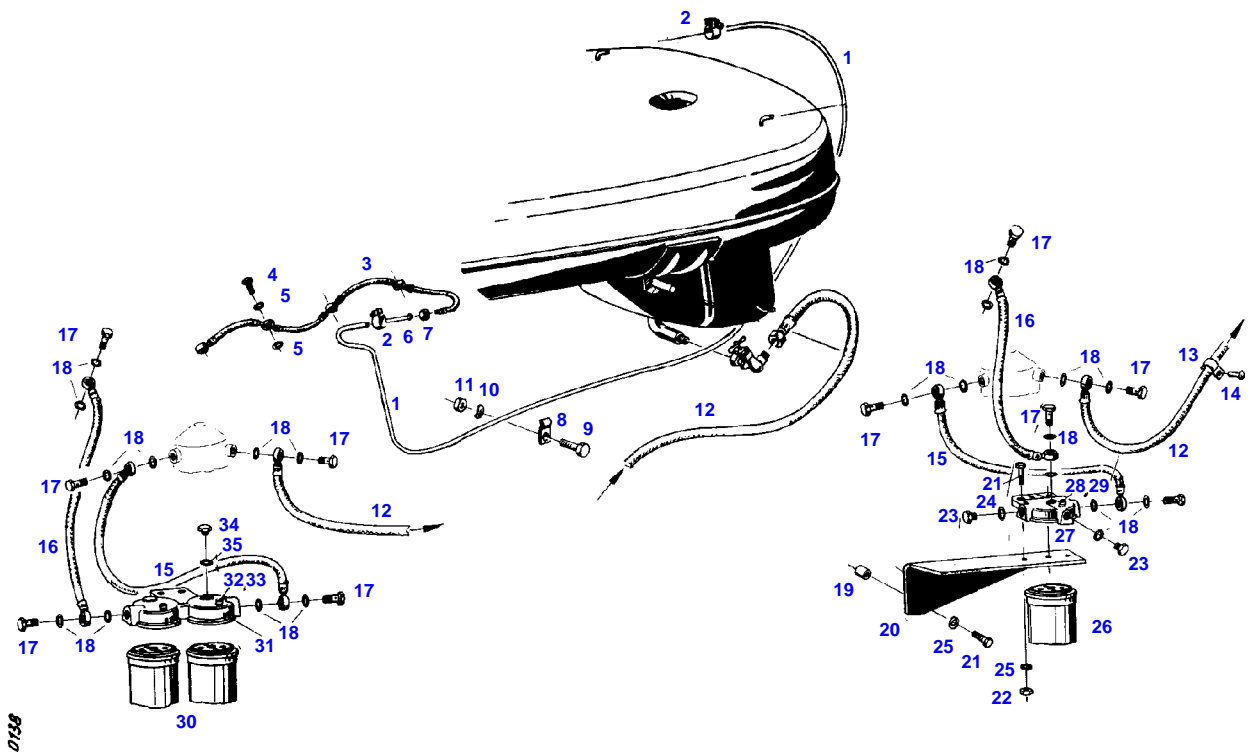
FUEL TANK

Page01-0011

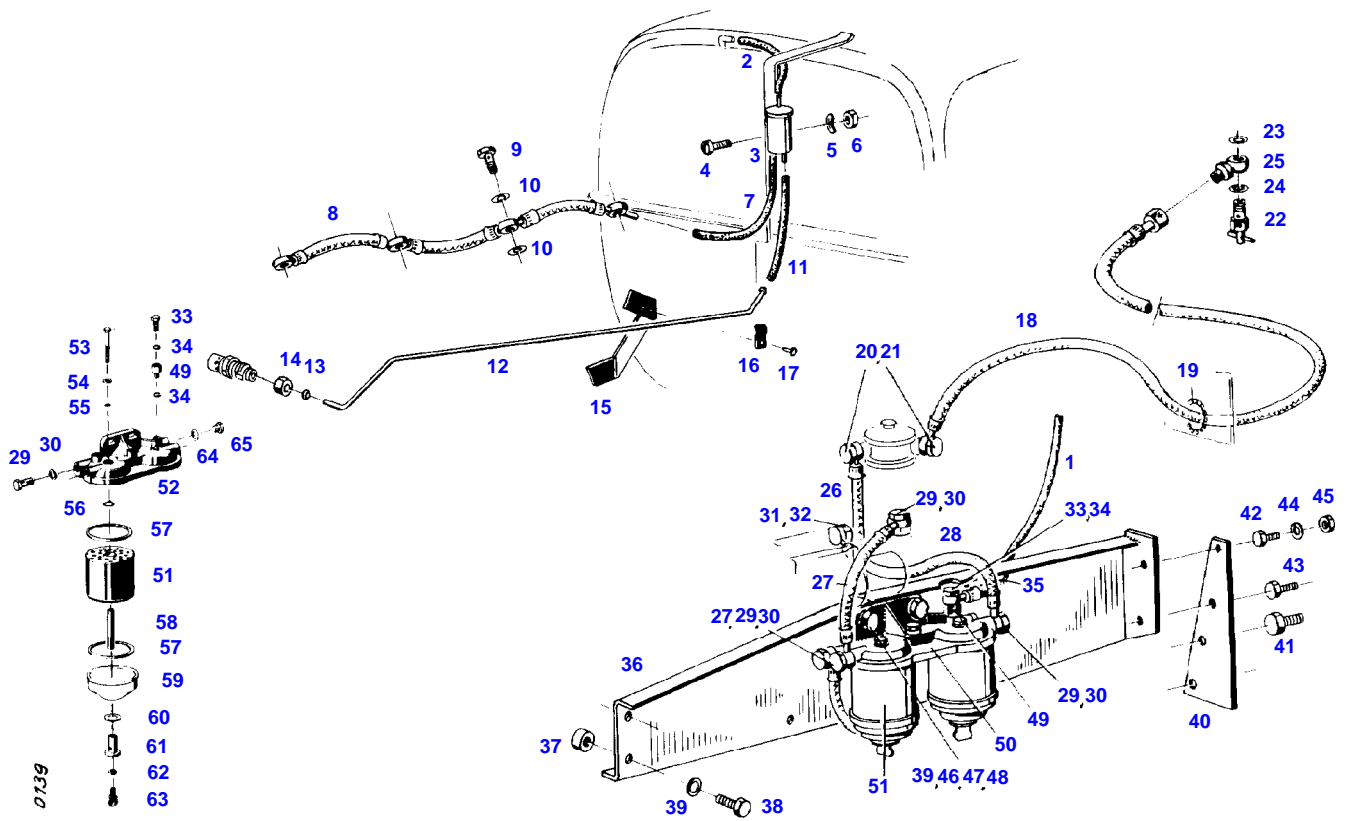
Item	Part Number	Qty	Description Comments	Technical Specification
27	72392253	1	NYLON STRING	
28	72315653	1	HEXAGONAL HEAD BOLT	DIN 933 M8 X 25-8.8A3L
29	72311788	2	DISC	DIN 125-8,4-ST.A3L
30	72313268	1	NUT	DIN 934 M8-8A3L



Item	Part Number	Qty	Description Comments	Technical Specification
			<-- 268/8301	
1	72359331	1	FUEL TANK --> 268/12422	
	72361712	1	FUEL TANK <-- 268/12423	
	72433112	1	STRAINER NOT ILLUSTRATED <-- 268/12423	60X100-MS
2	72380143	1	FUEL CAP ><2-4	M.BELUEF
	72348297	1	FUEL CAP LOCKABLE ><2-4	
3	72330726	1	SEAL 0,5 MM	
4	72330725	1	SEAL 2,5 MM	
5	72399898	1	RUBBER PLATE	
6	72359332	2	BAND CLAMP	
7	72313266	4	NUT	DIN 934 M6-8A3L
8	72399899	1	TANK TRAY	
	72450974	1	EDGE TRIM 1X 950 MM CUT TO LENGTH NOT ILLUSTRATED	L=1000 FWN 63040 D23
9	72404240	1	MOUNTING ANGLE SHUTTLE TRANSMISSION	
10	72315642	2	HEXAGONAL HEAD BOLT SHUTTLE TRANSMISSION	DIN 933 M8 X 16-8.8A3L
11	72315053	2	SPLIT WASHER SHUTTLE TRANSMISSION	FWN 65208-8-A3L
12	72313268	2	NUT SHUTTLE TRANSMISSION	DIN 934 M8-8A3L
13	72315675	4	HEXAGONAL HEAD BOLT	DIN 933 M10X16-8.8A3L
14	72315054	4	SPLIT WASHER	FWN 65208-10-A3L
15	72313318	4	NUT	DIN6925-M6-8-A3L
16	72404238	1	ANGLE	
17	72404241	1	ANGLE IRON NOT NECESSARY WITH FRONT LOADER	
18	72315642	2	HEXAGONAL HEAD BOLT NOT NECESSARY WITH FRONT LOADER	DIN 933 M8 X 16-8.8A3L
19	72315053	2	SPLIT WASHER NOT NECESSARY WITH FRONT LOADER	FWN 65208-8-A3L
20	72311788	2	DISC	DIN 125-8,4-ST.A3L
21	72315650	2	HEXAGONAL HEAD BOLT	DIN 933 M8 X 20-8.8A3L
22	72315053	2	SPLIT WASHER	FWN 65208-8-A3L
23	72313268	2	NUT NOT NECESSARY WITH FRONT LOADER	DIN 934 M8-8A3L
24	72399900	2	FELT STRIP	
25	72404237	1	BARRIER WALL	
26	72450971	1	SHAPED CORD 1X 230 MM CUT TO LENGTH	L=1000 FWN 63040 C02
27	72315629	2	HEXAGONAL HEAD BOLT --> 268/12644	DIN 933 M6 X 12-8.8A3L
	72315629	1	HEXAGONAL HEAD BOLT <-- 268/12645	DIN 933 M6 X 12-8.8A3L
	72315626	1	HEXAGONAL HEAD BOLT <-- 268/12645	DIN 933-M6 X 16-8.8-A3L
28	72315052	2	SPLIT WASHER	FWN 65208-6-A3L
29	72404239	1	GUSSET PLATE	
30	72613427	1	FUEL LEVEL SENSOR ><31	
31	72315169	1	SEALING WASHER	



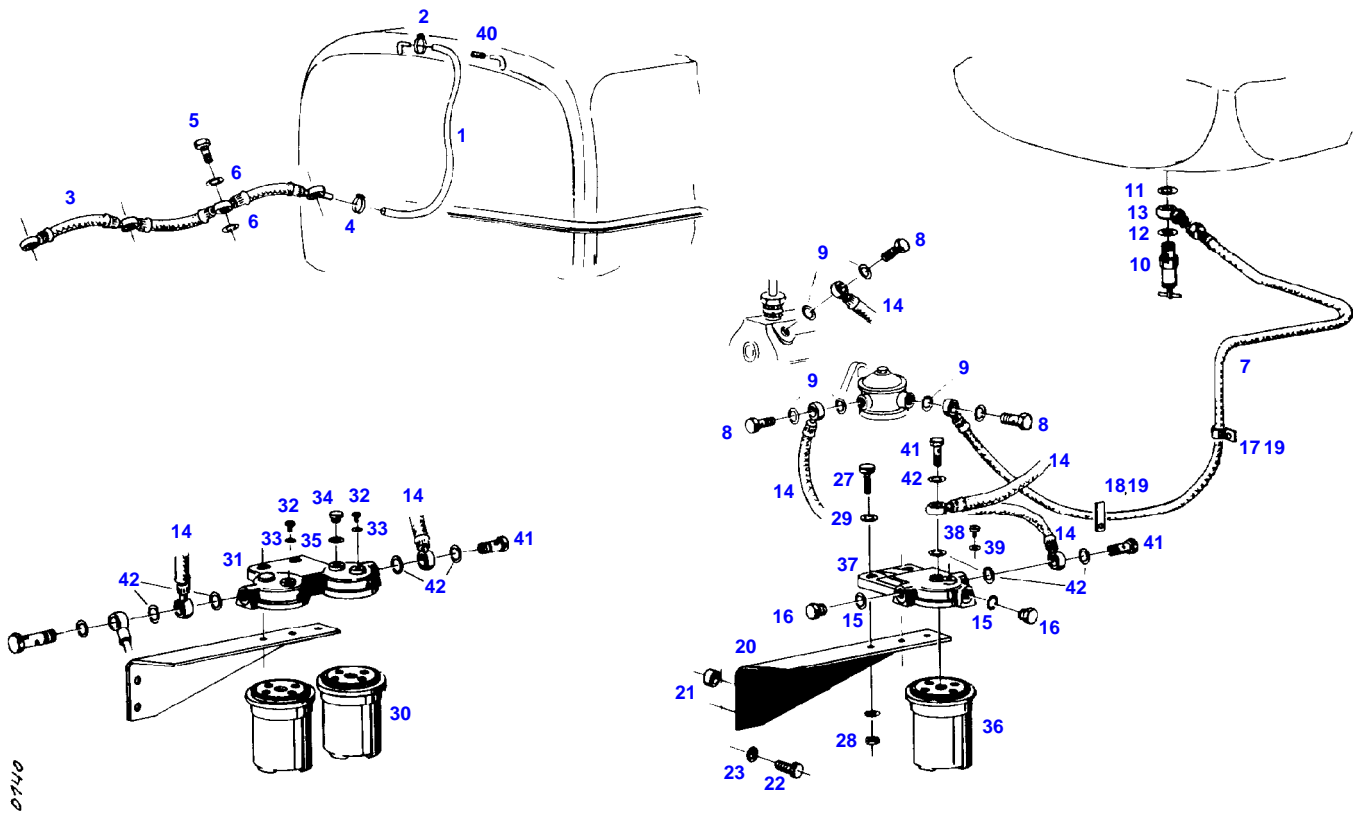
Item	Part Number	Qty	Description Comments	Technical Specification
			--> 268/8300	
1	72436280	1	HOSE 1X 1350MM	L=1350 FWN65912-3X1,5
2	72373475	2	HOSE CLIP	
3	72334849	1	LEAKAGE OIL LINE	
4	72315809	4	BANJO BOLT	DIN 7643-4-5-A3L
5	72376020	8	SEALING WASHER	DIN 7603-A8X12-CU
6	72402578	1	SPHERICAL LINER	
7	72372999	1	CONNECTING NUT	DIN 7606 2/3M10X1-6S
8	72373444	1	FASTENING COLLAR	DIN 72571-1X5-ST.A3L
9	72315408	1	FLAT HEAD CAPSCREW	DIN 85 M4X12-4.8A3L
10	72315050	1	SPLIT WASHER	FWN 65208-4-A3L
11	72313263	1	NUT	DIN 934 M4-8A3L
12	72377804	1	PRESSURE HOSE	FWN65916-M08-11-1400
13	72373452	1	FASTENING COLLAR	DIN 72571-1X15-ST A3L
14	72372699	1	SLOTTED PIN	DIN 1476-4X6-ST.A3L
15	72365147	1	FUEL LINE	
16	72365147	1	FUEL LINE	
17	72315808	5	BANJO BOLT	DIN 7643-10-3-A3L
18	72315094	6	SEALING WASHER	DIN 7603 A14X18-CU
	72315095	4	SEALING WASHER	DIN 7603 A14X20-CU
19	72399913	2	HOLDER	
20	72391202	1	MOUNTING ANGLE	
21	72315689	4	HEXAGONAL HEAD BOLT	DIN 933 M10X35-8.8A3L
22	72372811	2	NUT	DIN 934 M10-10A3L
23	72315799	2	PLUG	DIN 7604 AM14X1,5-A3L
24	72315095	2	SEALING WASHER	DIN 7603 A14X20-CU
25	72315054	4	SPLIT WASHER	FWN 65208-10-A3L
26	72326244	1	FILTER >>26-29 <-- F181.200.060.010	
	72326245	1	FILTER BOX	
27	72326247	1	FILTER LID	
28	72323290	1	BLEED SCREW	
29	72315084	1	SEALING WASHER	DIN 7603 A6X10-CU
30	72326245	2	FILTER BOX TROPICAL VERSION	
31	72326249	1	FILTER LID TROPICAL VERSION	
32	72323290	2	BLEED SCREW TROPICAL VERSION	
33	72315084	2	SEALING WASHER TROPICAL VERSION	DIN 7603 A6X10-CU
34	72326250	1	SCREW TROPICAL VERSION	
35	72315094	1	SEALING WASHER TROPICAL VERSION	DIN 7603 A14X18-CU



Item	Part Number	Qty	Description Comments	Technical Specification
			<-- 268/8301 --> 268/11951	
1	72361699	1	FUEL LINE	
	72438345	1	HOSE CLIP	
2	72450301	1	PRESSURE HOSE 210 MM CUT TO LENGTH <-- 268/8301 --> 268/11280	L=1000
	72450301	1	PRESSURE HOSE 420 MM CUT TO LENGTH <-- 268/11281	L=1000
	72438345	1	HOSE CLIP	
3	72380142	1	AUXILIARY FUEL TANK <-- 268/8301 --> 268/11280	
			NOT USED <-- 268/11281	
4	72373594	1	SOCKET HEAD BOLT <-- 268/8301 --> 268/11280	DIN 84 M4X12-4.8-A3L
	72315791	1	SCREW <-- 268/8301 --> 268/11280	DIN 7981 ST4,8X19-C-H-A3L
			NOT USED <-- 268/11281	
5	72315050	1	SPLIT WASHER <-- 268/8301 --> 268/11280	FWN 65208-4-A3L
	72311785	1	DISC <-- 268/8301 --> 268/11280	DIN 125-5,3-ST.A3L
			NOT USED <-- 268/11281	
6	72313263	1	NUT <-- 268/8301 --> 268/11280	DIN 934 M4-8A3L
			NOT USED <-- 268/11281	
7	72450301	1	PRESSURE HOSE 250 MM CUT TO LENGTH <-- 268/8301 --> 268/11280	L=1000
			NOT USED <-- 268/11281	
8	72339360	1	LEAKAGE OIL LINE	
	72438345	1	HOSE CLIP NOT ILLUSTRATED	
9	72315809	4	BANJO BOLT	DIN 7643-4-5-A3L
10	72315086	8	SEALING WASHER	DIN 7603 A8X11,5-CU
11	72450301	1	PRESSURE HOSE 140 MM CUT TO LENGTH <-- 268/8301 --> 268/11280	L=1000
	72438345	1	HOSE CLIP NOT USED <-- 268/8301 --> 268/11280 <-- 268/11281	
12	72404244	1	TUBING <-- 268/8301 --> 268/11280	
			NOT USED <-- 268/11281	
13	72380003	1	DOUBLE V-RING <-- 268/8301 --> 268/11280	

Item	Part Number	Qty	Description Comments	Technical Specification
14	72339362	1	NOT USED <-- 268/11281 CONNECTING NUT <-- 268/8301 --> 268/11280	
15	72404245	1	NOT USED <-- 268/11281 RETAINING BRACKET <-- 268/8301 --> 268/11280	
16	72373444	1	NOT USED <-- 268/11281 FASTENING COLLAR <-- 268/8301 --> 268/11280	DIN 72571-1X5-ST.A3L
17	72315789	1	NOT USED <-- 268/11281 SCREW <-- 268/8301 --> 268/11280	DIN 7981 ST4,8X9,5-C-H-A3
18	72361695	1	NOT USED <-- 268/11281 FUEL LINE	
19	72450577	1	EDGE PROTECTION 1X 91 MM CUT TO LENGTH	
20	72315808	2	BANJO BOLT	DIN 7643-10-3-A3L
21	72315094	4	SEALING WASHER	DIN 7603 A14X18-CU
22	72380159	1	FUEL SHUT-OFF VALVE	
23	72315093	1	SEALING WASHER	DIN 7603 A12X18-CU
24	72315094	1	SEALING WASHER	DIN 7603 A14X18-CU
25	72316302	1	NOZZLE	LL10 DIN7641/12.69 A3L
26	72361696	1	FUEL LINE	
27	72361697	1	FUEL LINE	
28	72361698	1	FUEL LINE	
29	72315807	4	BANJO BOLT	DIN 7643-8-3-A3L
30	72315093	8	SEALING WASHER	DIN 7603 A12X18-CU
31	72339379	1	BANJO BOLT	
32	72315086	2	SEALING WASHER	DIN 7603 A8X11,5-CU
33	72339376	1	BANJO BOLT	
34	72315088	3	SEALING WASHER	DIN 7603 A10X13,5-CU
35	72380013	1	EDGE PROTECTION	FLEXIF.
36	72404242	1	FILTER RETAINER	
37	72399913	2	HOLDER	
38	72315689	2	HEXAGONAL HEAD BOLT	DIN 933 M10X35-8.8A3L
39	72315054	4	SPLIT WASHER	FWN 65208-10-A3L
40	72404243	1	RETAINING SHEET METAL	
41	72374490	2	HEXAGONAL HEAD BOLT	DIN 933 M14X20-8.8
42	72315642	1	HEXAGONAL HEAD BOLT <-- 268/8301 --> 268/11280	DIN 933 M8 X 16-8.8A3L
	72315650	1	HEXAGONAL HEAD BOLT <-- 268/11281	DIN 933 M8 X 20-8.8A3L
43	72315650	1	HEXAGONAL HEAD BOLT	DIN 933 M8 X 20-8.8A3L
44	72315053	2	SPLIT WASHER	FWN 65208-8-A3L
45	72313268	2	NUT	DIN 934 M8-8A3L
46	72315689	2	HEXAGONAL HEAD BOLT	DIN 933 M10X35-8.8A3L
47	72372811	2	NUT	DIN 934 M10-10A3L
48	72311789	2	DISC	DIN 125-10,5-ST.A3L
49	72339378	1	BLEED AND DRAIN VALVE	
50	72339361	1	DUAL FUEL FILTER >>51-65 <>	
	72339376	1	BANJO BOLT	
	72315088	1	SEALING WASHER	DIN 7603 A10X13,5-CU
	72315093	6	SEALING WASHER	DIN 7603 A12X18-CU

Item	Part Number	Qty	Description Comments	Technical Specification
	72315807	3	BANJO BOLT	DIN 7643-8-3-A3L
	72339378	1	BLEED AND DRAIN VALVE	
51	72339363	2	FILTER BOX	
52	72339364	1	COVER	
53	72339365	2	CENTER SCREW	
54	72339366	2	SEALING WASHER	
55	72339430	2	PERMANENT REINFORCEMENT	
56	72376423	2	O-RING	14X3-NBR 70 FWN56402
57	72339369	4	SEALING WASHER	
58	72339380	2	ROUND NUT	
59	72380168	2	INSPECTION GLASS	
60	72339372	2	O-RING	
61	72339380	2	ROUND NUT	
62	72339374	2	SEALING WASHER	
63	72339375	2	WING SCREW	
64	72315093	1	SEALING WASHER	DIN 7603 A12X18-CU
65	72339377	1	SCREW	





Suggest:

For more complete manuals. Please go to the home page.

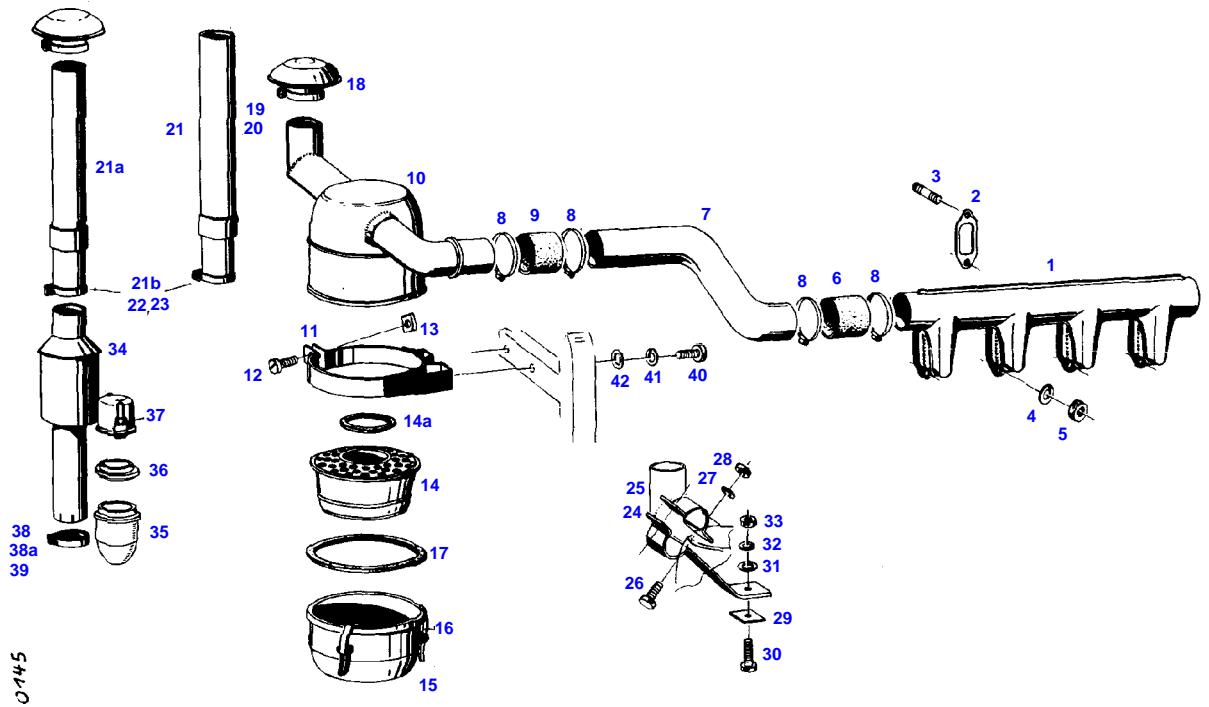
<https://www.ebooklibonline.com>

If the above button click is invalid. Please download this document first, and then click the above link to download the complete manual.

Thank you so much for reading

FUEL LINES

Item	Part Number	Qty	Description Comments	Technical Specification
			<-- 268/11952	
1	72450301	1	PRESSURE HOSE 420 MM CUT TO LENGTH	L=1000
2	72438345	1	HOSE CLIP	
3	72339360	1	LEAKAGE OIL LINE	
4	72438345	1	HOSE CLIP	
5	72315809	4	BANJO BOLT	DIN 7643-4-5-A3L
6	72315086	8	SEALING WASHER	DIN 7603 A8X11,5-CU
7	72361710	1	FUEL LINE	
8	72315808	3	BANJO BOLT	DIN 7643-10-3-A3L
9	72315094	6	SEALING WASHER	DIN 7603 A14X18-CU
10	72380159	1	FUEL SHUT-OFF VALVE	
11	72315093	1	SEALING WASHER	DIN 7603 A12X18-CU
12	72315094	1	SEALING WASHER	DIN 7603 A14X18-CU
13	72316302	1	NOZZLE	LL10 DIN7641/12.69 A3L
14	72365147	2	FUEL LINE <-- 268/11952 --> 268/12644	
	72365147	1	FUEL LINE <-- 268/12645 FUEL PUMP / FUEL FILTER	
	72356760	1	FUEL LINE <-- 268/12645 INJECTION PUMP / FUEL FILTER	
15	72315094	2	SEALING WASHER	DIN 7603 A14X18-CU
16	72315799	2	PLUG	DIN 7604 AM14X1,5-A3L
17	72373452	1	FASTENING COLLAR	DIN 72571-1X15-ST A3L
18	72399911	1	SHEET METAL	
19	72372699	2	SLOTTED PIN	DIN 1476-4X6-ST.A3L
20	72391202	1	MOUNTING ANGLE <-- 268/11952 --> 268/12644	
	72399912	1	RETAINER <-- 268/12645	
21	72399913	2	HOLDER	
22	72315689	2	HEXAGONAL HEAD BOLT	DIN 933 M10X35-8.8A3L
23	72315054	4	SPLIT WASHER	FWN 65208-10-A3L
27	72315689	2	HEXAGONAL HEAD BOLT	DIN 933 M10X35-8.8A3L
28	72372811	2	NUT	DIN 934 M10-10A3L
29	72311789	2	DISC	DIN 125-10,5-ST.A3L
30			NO LONGER AVAILABLE SEE SINGLE PARTS ><30-35 TROPICAL VERSION	
	72326245	2	FILTER BOX	
31	72326249	1	FILTER LID	
32	72323290	2	BLEED SCREW	
33	72315084	2	SEALING WASHER	DIN 7603 A6X10-CU
34	72326250	1	SCREW	
35	72315094	1	SEALING WASHER	DIN 7603 A14X18-CU
36	72326244	1	FILTER ><36-39 <-- F181.200.060.010	
	72326245	1	FILTER BOX	
37	72326247	1	FILTER LID	
38	72323290	1	BLEED SCREW	
39	72315084	1	SEALING WASHER	DIN 7603 A6X10-CU
40			NO LONGER AVAILABLE	
41	72315808	2	BANJO BOLT	DIN 7643-10-3-A3L
42	72315094	5	SEALING WASHER	DIN 7603 A14X18-CU



<https://www.ebooklibonline.com>

Hello dear friend!

Thank you very much for reading.

Enter the link into your browser.

The full manual is available for immediate download.

<https://www.ebooklibonline.com>