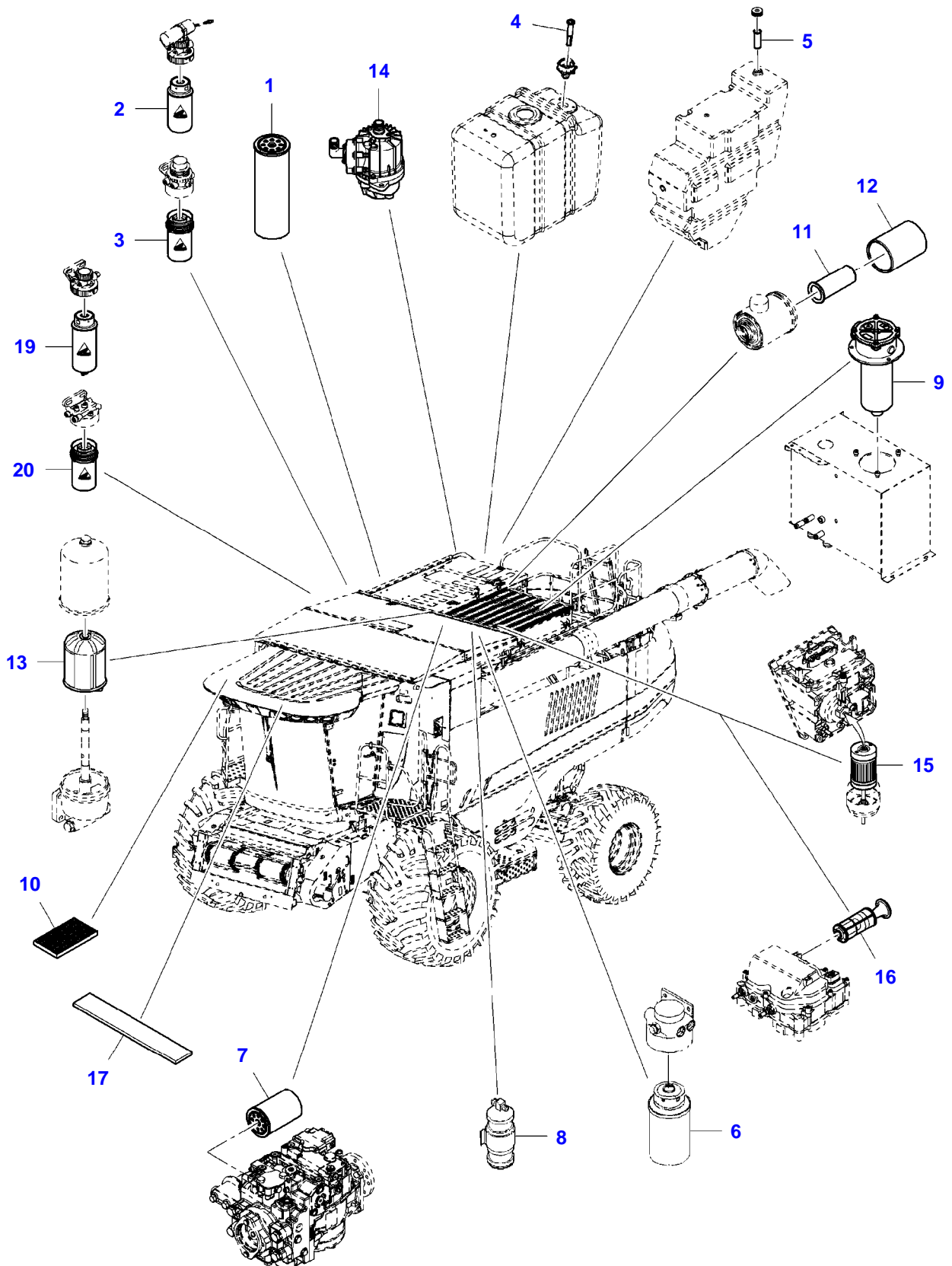


TABLE OF CONTENT

Page Number	Page Title	Page Reference
01-000-TOC	ENGINE, FUEL AND EXHAUST SYSTEM	01-000-TOC
02-000-TOC	DRIVE SYSTEM	02-000-TOC
03-000-TOC	AXLES	03-000-TOC
04-000-TOC	FRAME AND SUSPENSION	04-000-TOC
05-000-TOC	STEERING SYSTEM	05-000-TOC
06-000-TOC	DRIVE TRAIN SYSTEM	06-000-TOC
07-000-TOC	BRAKE SYSTEM	07-000-TOC
08-000-TOC	HYDRAULIC SYSTEM	08-000-TOC
09-000-TOC	ELECTRICAL SYSTEM	09-000-TOC
10-000-TOC	CAB	10-000-TOC
11-000-TOC	AIR CONDITIONING AND HEATING SYSTEM	11-000-TOC
12-000-TOC	CHASSIS	12-000-TOC
13-000-TOC	DECALS	13-000-TOC
14-000-TOC	WHEELS	14-000-TOC
15-000-TOC	FEEDING SYSTEM	15-000-TOC
16-000-TOC	THRESHING SYSTEM	16-000-TOC
17-000-TOC	CLEANING SYSTEM	17-000-TOC
18-000-TOC	GRAIN BIN AND ELEVATOR SYSTEM	18-000-TOC
19-000-TOC	DISCHARGE SYSTEM	19-000-TOC
20-000-TOC	PRECISION FARMING SYSTEMS	20-000-TOC
21-000-TOC	ATTACHMENTS	21-000-TOC
22-000-TOC	ACCESSORIES	22-000-TOC
23-000-TOC	GENERAL INFORMATION	23-000-TOC

9470X (62000-63999) (50000001-999 / 500400001-999 AL) COMBINE
8027265-F5-1



FILTERS

Item	Part Number	Qty	Description Comments
1	V836379588	1	ENGINE OIL FILTER SEE PAGE 01-0035
2	V836867591	1	FUEL ELEMENT UP TO ENGINE S/N X10000 SEE PAGE 01-0042 SEE PAGE 01-0043
3	V837079244	1	FUEL ELEMENT FROM ENGINE S/N X10001 SEE PAGE 01-0044
4	71443169	1	DEF FILLER NECK FILTER SEE PAGE 01-0083
5	D46403500	1	FUEL FILTER SEE PAGE 01-0084
6	D46443000	1	FUEL ELEMENT SEE PAGE 01-0084
7	D45161300	1	OIL FILTER SEE PAGE 02-0008 SEE PAGE 02-0009
8	D45070017	1	AIR CONDITIONING RECEIVER DRIER SEE PAGE 11-0003
9	D45165800	1	RETURN FILTER SEE PAGE 08-0001 SEE PAGE 08-0002
10	D28980100	1	CAB FILTER SEE PAGE 10-0014
11	6237222M1	1	ELEMENT,FILTER SEE PAGE 01-0074 SEE PAGE 01-0075
12	6237221M1	1	ELEMENT,FILTER SEE PAGE 01-0074 SEE PAGE 01-0075
13	V836362228	1	FILTER UP TO ENGINE S/N X10000 SEE PAGE 01-0036
14	V837073734	1	CCV FILTER FROM ENGINE S/N X10001 SEE PAGE 01-0037
15	V837062993	1	DEF FILTER UP TO ENGINE S/N X10000 SEE PAGE 01-0053
16	V837079423	1	DEF FILTER FROM ENGINE S/N X10001 SEE PAGE 01-0054
17	D28980849	1	CAB FILTER SEE PAGE 10-0014
19	V836867595	1	FUEL ELEMENT UP TO ENGINE S/N X10000 SEE PAGE 01-0042 SEE PAGE 01-0043
20	V837079556	1	FUEL FILTER FROM ENGINE S/N X10001 SEE PAGE 01-0044

<https://www.ebooklibonline.com>

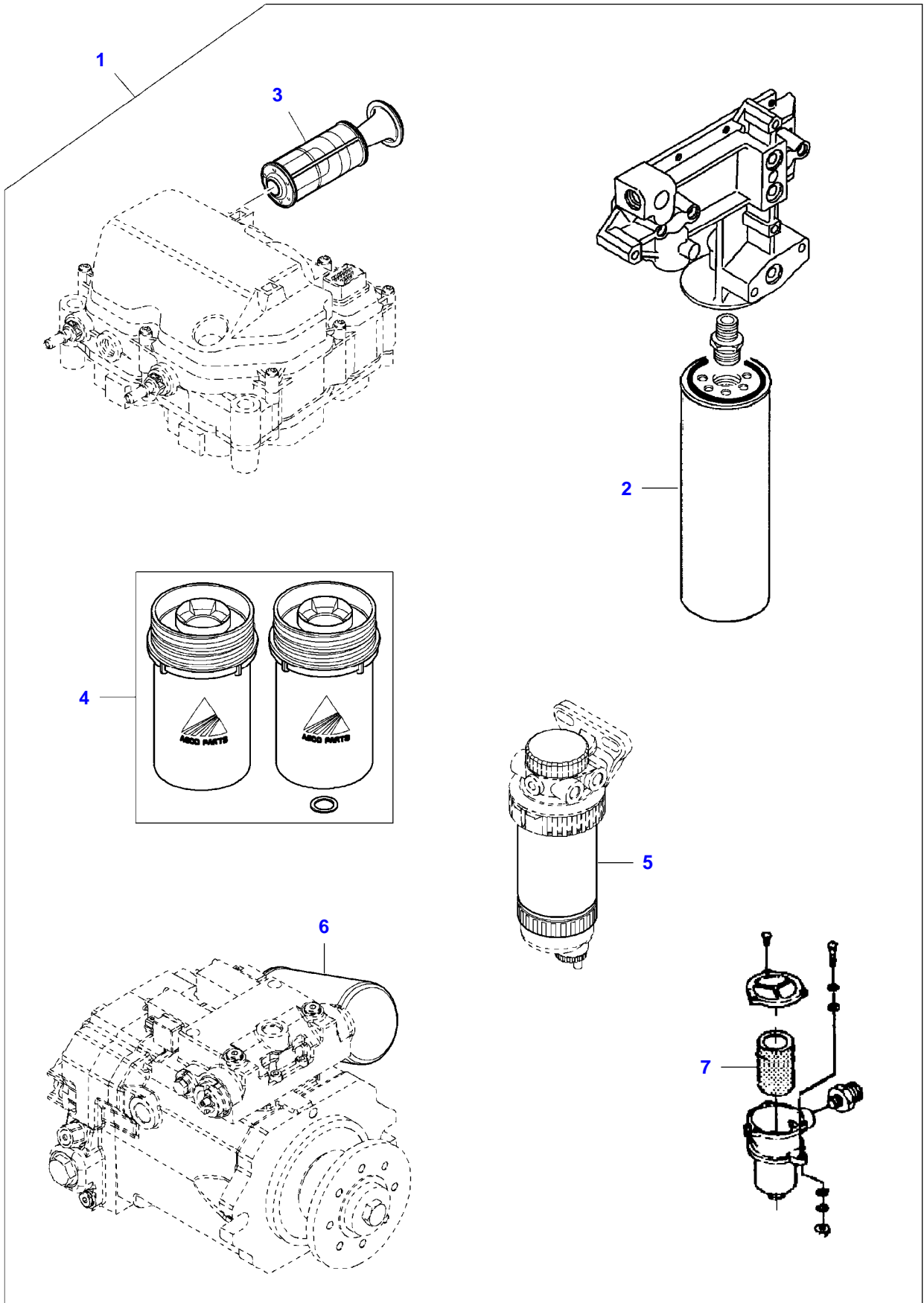
Hello dear friend!

Thank you very much for reading.

Enter the link into your browser.

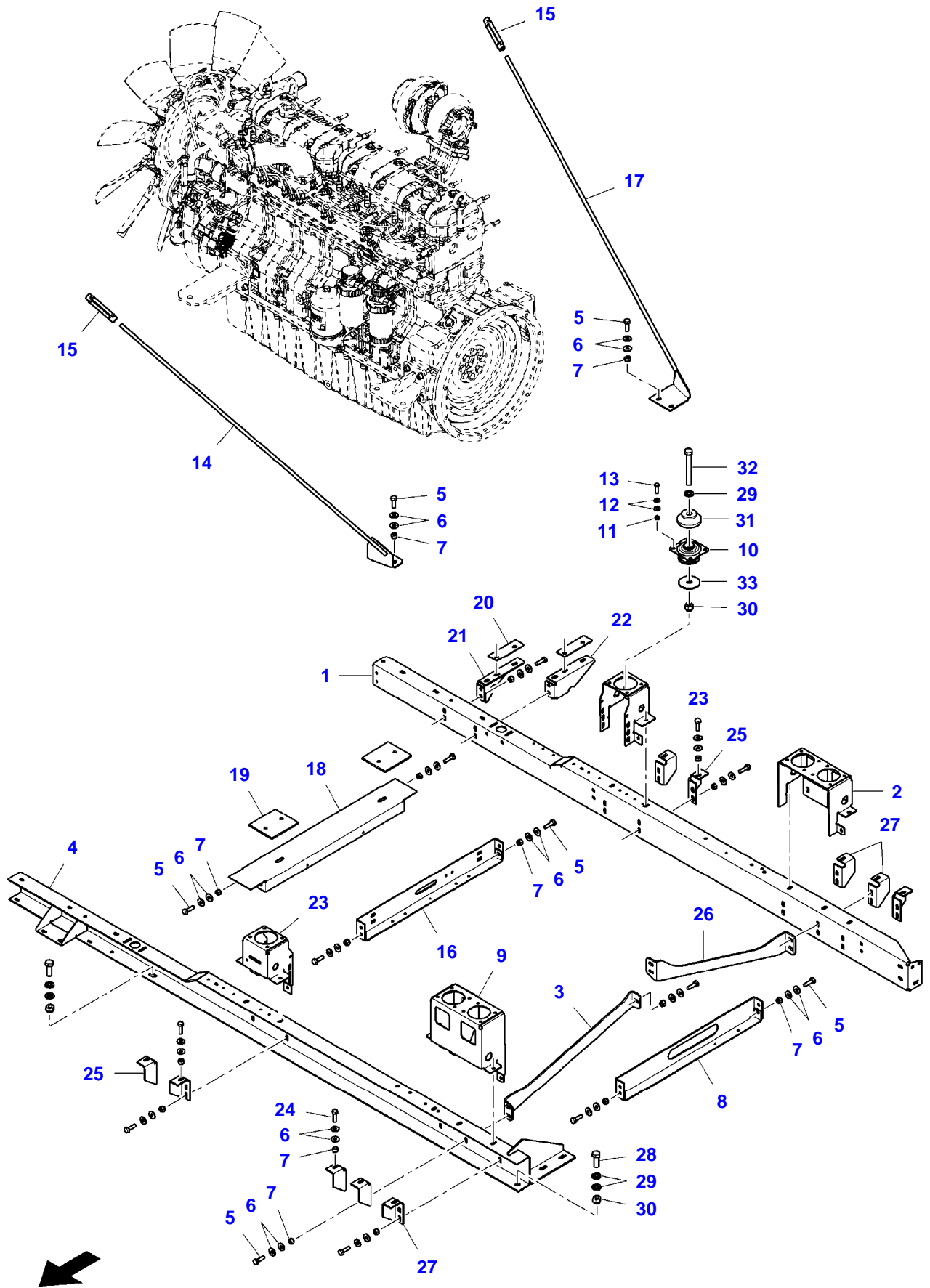
The full manual is available for immediate download.

<https://www.ebooklibonline.com>

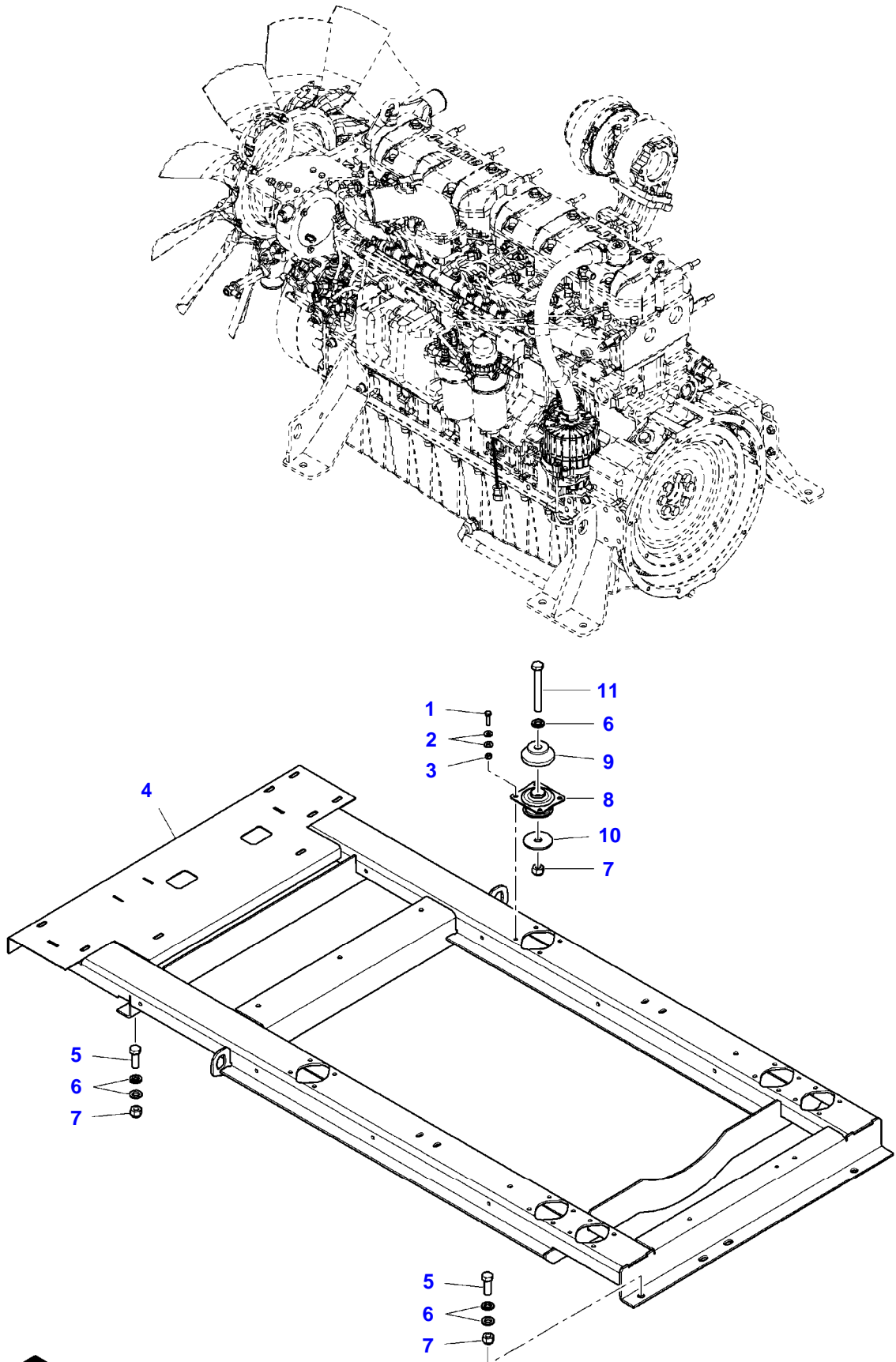


FILTERS

Item	Part Number	Qty	Description Comments
			UP TO MACHINE S/N 62995 - 9470 62994 - 9470AL
1	LA391600165	1	KIT, FILTER
2	V836379588	1	ENGINE OIL FILTER
3	V837079423	1	DEF FILTER
4	V837079718	1	FUEL FILTER KIT
5	V836862563	1	FUEL ELEMENT
6	D45161301	1	OIL FILTER
7	D45165900	1	OIL FILTER

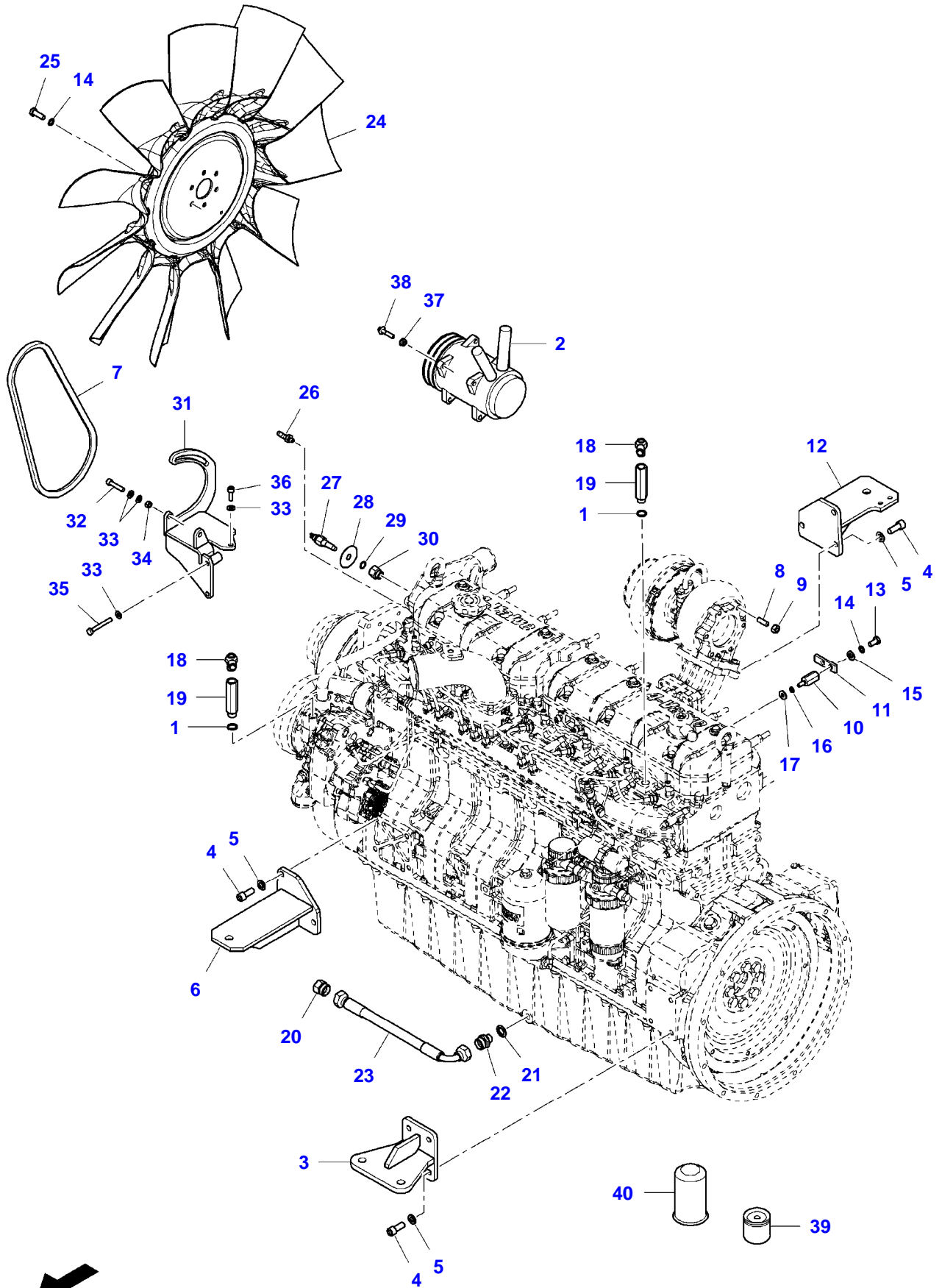


Item	Part Number	Qty	Description Comments	Technical Specification
			UP TO MACHINE S/N 62995 - 9470 62994 - 9470AL	
1	6237112M91	1	SQUARE.	
2	6266607M91	1	RAIL	
3	6266605M1	1	BRACKET	
4	6237111M91	1	SQUARE.	
5	D40407000	31	HEXAGONAL HEAD BOLT	M10 X 35 ISO 10.9 ZN
6	3011484X1	106	HARDENED WASHER	M10 ZN
7	D41092500	53	NUT	M10 ZN
8	6237117M1	1	SQUARE.	
9	6266606M91	1	RAIL	
10	D46406600	6	DAMPER	
11	394367X1	24	HEX NYLON INSERT LOCKNUT	M8 (1.25) ISO 8 ZN
12	339056X1	48	FLAT WASHER	?8,5-20 X 2,5 MM ZN
13	339337X1	24	HEXAGONAL HEAD BOLT	M8 X 30 (1.25) ISO 8.8 ZN
14	6237137M91	1	SUPPORT	
15	D41035100	2	TENSIONER	
16	6237115M1	1	SQUARE.	
17	6237124M91	1	SUPPORT	
18	6237119M1	1	PLATE	
19	D28788343	2	PLATE	
20	D28781111	2	SHIM	130 X 40 X 4 MM
21	D28784252	1	SUPPORT, RIGHT HAND	
22	D28784253	1	SUPPORT, LEFT HAND	
23	D28784171	2	SUPPORT	
24	D40407100	22	HEXAGONAL HEAD BOLT	M10 X 40 ISO 10.9 ZN
25	D28785166	5	PLATE	
26	6265935M1	1	BRACKET	
27	D28785167	5	PLATE	
28	391284X1	4	HEXAGONAL HEAD BOLT	M16 X 45 (2.0) ISO 8.8 ZN
29	3019575X1	12	FLAT WASHER	?17-30 X 5 MM
30	1442739X1	8	HEX LOCKNUT	M16 (2.0) ISO 8 ZN
31	D28781296	4	WASHER	
32	1442740X1	4	HEXAGONAL HEAD BOLT	M16 X 130 ISO 8.8 ZN
33	D28781297	4	SPACER	?18-70 X 6 MM



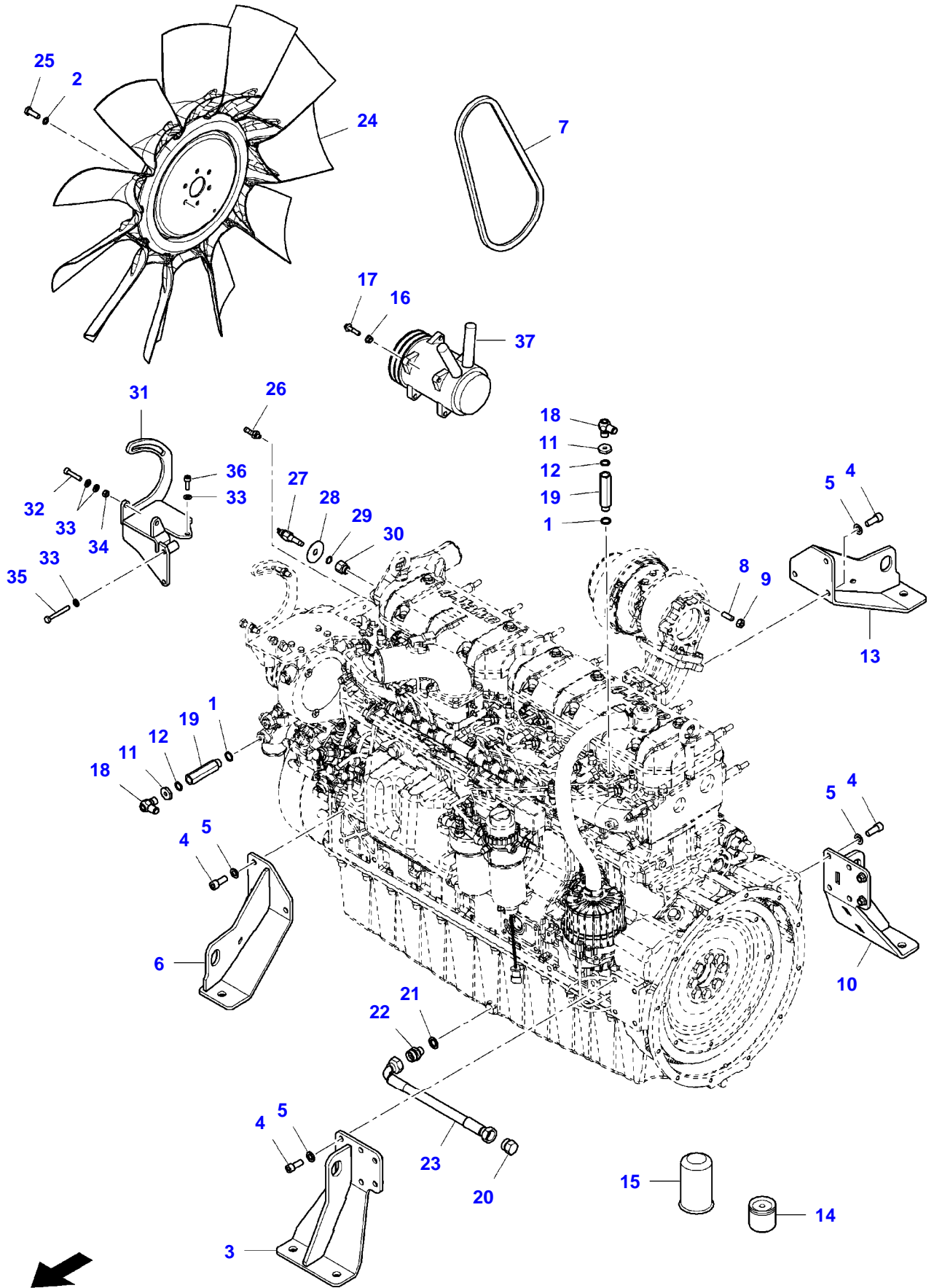
Item	Part Number	Qty	Description Comments	Technical Specification
			FROM MACHINE S/N 500000001 - 9470 500400001 - 9470AL	
1	339337X1	24	HEXAGONAL HEAD BOLT	M8 X 30 (1.25) ISO 8.8 ZN
2	339056X1	48	FLAT WASHER	?8,5-20 X 2,5 MM ZN
3	394367X1	24	HEX NYLON INSERT LOCKNUT	M8 (1.25) ISO 8 ZN
4	7061046M91	1	SUPPORT	
5	391284X1	4	HEXAGONAL HEAD BOLT	M16 X 45 (2.0) ISO 8.8 ZN
6	3019575X1	14	FLAT WASHER	?17-30 X 5 MM
7	1442739X1	10	HEX LOCKNUT	M16 (2.0) ISO 8 ZN
8	D46406600	6	DAMPER	
9	D28781296	6	WASHER	
10	D28781297	6	SPACER	?18-70 X 6 MM
11	1442740X1	6	HEXAGONAL HEAD BOLT	M16 X 130 ISO 8.8 ZN

9470X (62000-63999) (50000001-999 / 500400001-999 AL) COMBINE
8029572-F5-1



Item	Part Number	Qty	Description Comments	Technical Specification
			UP TO MACHINE S/N 62995 - 9470 62994 - 9470AL	
1	1442936X1	2	SEALING RING	?18-22 X 1,5 MM CU PL
2	D45080062	1	COMPRESSOR	
3	6237012M91	1	SUPPORT	
4	1442210X1	10	HEX SOCKET HEAD CAPSCREW	M12 X 30 (1.75) ISO 8.8 ZN
5	390735X1	10	FLAT WASHER	M12 ZN
6	6237009M91	1	SUPPORT	
7	D41990027	1	V BELT	L = 1157 MM
8	1442072X1	6	STUD BOLT	M10 X 20 ISO 8.8 ZN
9	3009693X1	6	HEX NUT	M10 (1.5) ISO 8 ZN
10	D28761073	1	THREADED PART	
11	D28281575	1	BRIDLE	
12	6237127M91	1	SUPPORT	
13	339081X1	1	HEXAGONAL HEAD BOLT	M10 X 20 (1.5) ISO 8.8 ZN
14	3014493X1	7	SAFETY WASHER	M10
15	390734X1	1	FLAT WASHER	?10-21 X 2 MM
16	3014492X1	1	SAFETY WASHER	M8
17	339056X1	1	FLAT WASHER	?8,5-20 X 2,5 MM ZN
18	D28360189	2	TAP	
19	D28273868	2	REDUCER	
20	D28781170	1	PLUG	
21	3011519X1	1	OIL SEAL	?18,7-27 X 2 MM DIDC PL
22	D45251101	1	UNION	
23	D45130033	1	HYDRAULIC HOSE	L = 3050 MM
24	6237021M1	1	FAN	
25	339451X1	6	HEXAGONAL HEAD BOLT	M10 X 30 (1.5) ISO 8.8 ZN
26	D28785115	1	CONNECTOR	
27	D44900617	1	SENSOR	
28	D28780947	1	WASHER	?14-52 X 1,5 MM
29	D45201600	1	PACKING	
30	D28786662	1	NIPPLE	
31	6261576M91	1	SUPPORT	
32	391136X1	1	HEX SOCKET HEAD CAPSCREW	M8 X 40 (1.25) ISO 8.8 ZN
33	390972X1	4	FLAT WASHER	M8 ZN
34	394367X1	1	HEX NYLON INSERT LOCKNUT	M8 (1.25) ISO 8 ZN
35	339159X1	1	HEXAGONAL HEAD BOLT	M8 X 65 (1.25) ISO 8.8 ZN
36	391990X1	1	HEX SOCKET HEAD CAPSCREW	M8 X 25 (1.25) ISO 10.9 ZN
37	3019124X1	3	HEX FLANGE NUT	M8 (1.25) ISO 10 ZN
38	3009196X1	3	HEXAGON FLANGE BOLT	M8 X 35 (1.25) ISO 10.9 ZN
39	1896287M91	1	FUEL ELEMENT	
40	D46447400	1	OIL FILTER	

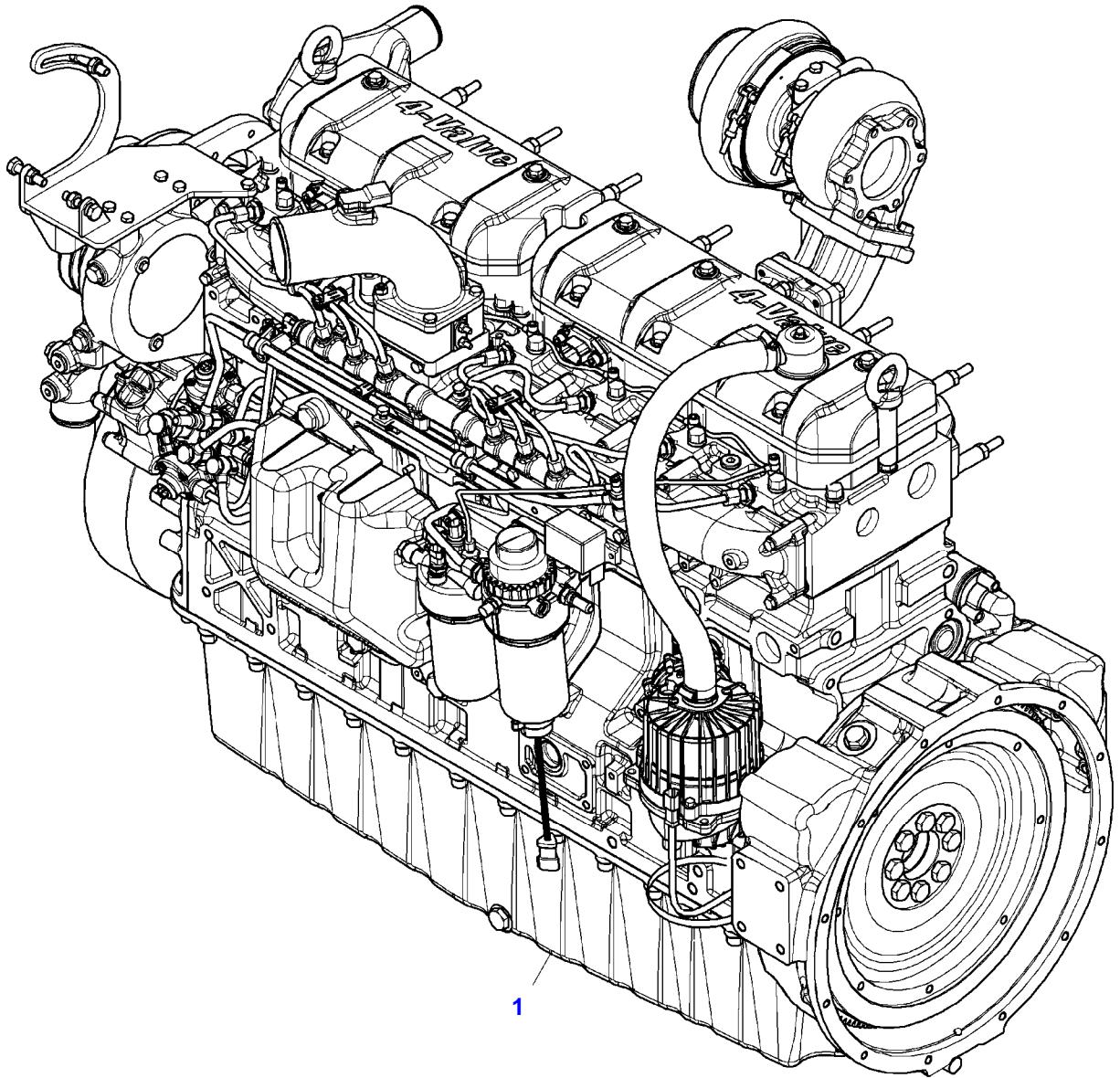
9470X (62000-63999) (50000001-999 / 500400001-999 AL) COMBINE
8029982-F5-1



Item	Part Number	Qty	Description Comments	Technical Specification
			FROM MACHINE S/N 500000001 - 9470 500400001 - 9470AL	
1	1442936X1	2	SEALING RING	?18-22 X 1,5 MM CU PL
2	3014493X1	6	SAFETY WASHER	M10
3	6247421M91	1	SUPPORT	
4	1442210X1	10	HEX SOCKET HEAD CAPSCREW	M12 X 30 (1.75) ISO 8.8 ZN
5	390735X1	10	FLAT WASHER	M12 ZN
6	6247416M91	1	SUPPORT	
7	LA340433138	1	BELT	L = 1257 MM
8	1442072X1	6	STUD BOLT	M10 X 20 ISO 8.8 ZN
9	3009693X1	6	HEX NUT	M10 (1.5) ISO 8 ZN
10	6247420M91	1	SUPPORT	
11	7058829M1	2	NUT	
12	LA14457281	2	O-RING	?2,62 X 15,54 MM
13	6247415M91	1	SUPPORT	
14	1896287M91	1	FUEL ELEMENT	
15	D46447400	1	OIL FILTER	
16	3019124X1	3	HEX FLANGE NUT	M8 (1.25) ISO 10 ZN
17	3009196X1	3	HEXAGON FLANGE BOLT	M8 X 35 (1.25) ISO 10.9 ZN
18	D28360189	2	TAP	
19	D28273868	2	REDUCER	
20	D28781170	1	PLUG	
21	3011519X1	1	OIL SEAL	?18,7-27 X 2 MM DIDC PL
22	D45251101	1	UNION	
23	D45130033	1	HYDRAULIC HOSE	L = 3050 MM
24	6237021M1	1	FAN	
25	339451X1	6	HEXAGONAL HEAD BOLT	M10 X 30 (1.5) ISO 8.8 ZN
26	D28785115	1	CONNECTOR	
27	D44900617	1	SENSOR	
28	D28780947	1	WASHER	?14-52 X 1,5 MM
29	D45201600	1	PACKING	
30	D28786662	1	NIPPLE	
31	6261576M91	1	SUPPORT	
32	391136X1	1	HEX SOCKET HEAD CAPSCREW	M8 X 40 (1.25) ISO 8.8 ZN
33	390972X1	4	FLAT WASHER	M8 ZN
34	394367X1	1	HEX NYLON INSERT LOCKNUT	M8 (1.25) ISO 8 ZN
35	339159X1	1	HEXAGONAL HEAD BOLT	M8 X 65 (1.25) ISO 8.8 ZN
36	391990X1	1	HEX SOCKET HEAD CAPSCREW	M8 X 25 (1.25) ISO 10.9 ZN
37	D45080062	1	COMPRESSOR	

ENGINE ASSEMBLIES

Item	Part Number	Qty	Description Comments	Technical Specification
			UP TO ENGINE S/N X10000	
1	V835461892	1	ENGINE	98 CTA-4V
2	V865461892X	1	SHORT BLOCK ENGINE [A]	98 CTA-4V
3	V865461892V	1	LONG BLOCK ENGINE [A] [A] NOT ILLUSTRATED	98 CTA-4V



Fendt

9470X (62000-63999) (500000001-999 / 500400001-999 AL) COMBINE

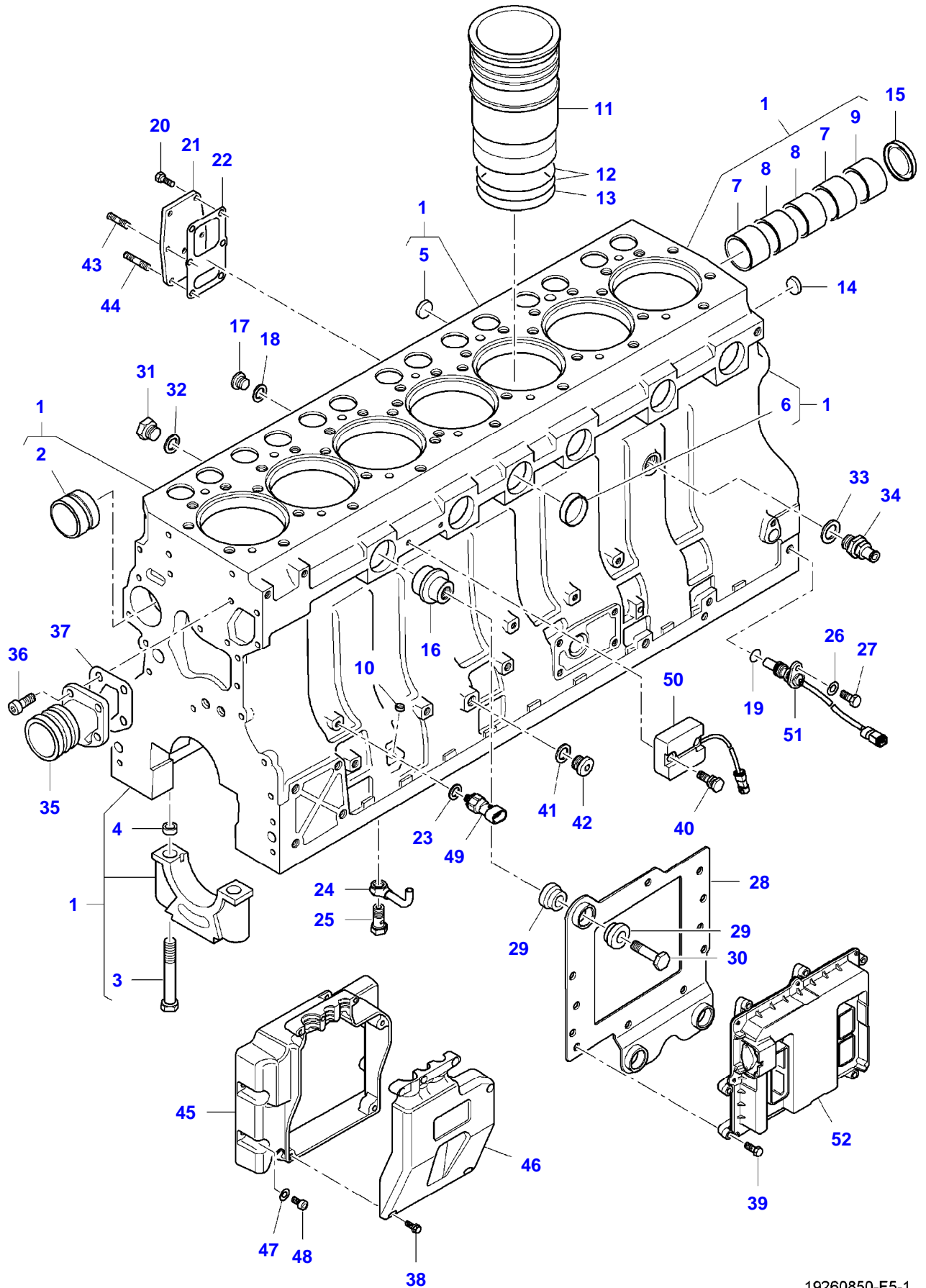
3906268

ENGINE ASSEMBLIES

Page01-0008

Item	Part Number	Qty	Description Comments	Technical Specification
			FROM ENGINE S/N X10001	
1	V835476528	1	ENGINE	98 ATI
2	V865476528X	1	SHORT BLOCK ENGINE [A]	98 ATI
3	V865476528V	1	LONG BLOCK ENGINE [A] [A] NOT ILLUSTRATED	98 ATI

9470X (62000-63999) (50000001-999 / 500400001-999 AL) COMBINE
19260850-F5-1



19260850-F5-1

CYLINDER BLOCK
98 CTA-4V ENGINE

Item	Part Number	Qty	Description Comments
			UP TO ENGINE S/N V13852
1	V836867842	1	CYLINDER BLOCK
2	V836866069	2	CAMSHAFT BEARING BUSH
	V836866036	X	CAMSHAFT BEARING BUSH
3	V835329030	16	HEX CAP SCREW
4	V836214478	16	GUIDE SLEEVE
5	V640016018	1	PLUG
6	V640016040	5	PLUG
7	V836852460	2	CAMSHAFT BEARING BUSH
8	V836852459	2	CAMSHAFT BEARING BUSH
9	V836852461	1	CAMSHAFT BEARING BUSH
10	V640016012	1	PLUG
11	V836867048	7	LINER
	V836867050	X	LINER
12	V836855446	14	CYLINDER LINER O-RING [A]
13	V836855447	7	CYLINDER LINER O-RING [A]
14	V640016016	2	PLUG [A]
15	V836852744	1	PLUG
16	V837069057	1	PLUG
17	V640325110	5	PLUG
18	V615871014	5	SEALING WASHER [A]
19	V614601524	1	O-RING
20	V528801380	5	HEX CAP SCREW
21	V836855678	1	COVER
22	V836322852	1	GASKET [A]
23	V615871016	1	SEALING WASHER [A]
24	V837070021	7	PIPE
25	V836338601	7	PRESSURE VALVE
26	V500050840	1	FLAT WASHER
27	V528801362	1	HEX CAP SCREW
28	V837070147	1	ECU BRACKET
29	V837069052	6	RUBBER BUSH
30	V837069056	3	SCREW
31	V836119079	1	PLUG
32	V615881620	1	SEALING WASHER [A]
33	V615881824	1	SEALING WASHER [A]
34	V836664377	1	COCK
35	V836855629	1	FLANGE
36	V581804600	4	HEX SOCKET SCREW
37	V836855554	1	GASKET [A]
38	V590253388	6	SCREW
39	V528801102	8	HEX CAP SCREW
40	V837070197	2	SCREW
41	V615881420	1	SEALING WASHER [A]
42	V640325014	1	PLUG
43	V546801360	1	STUD BOLT
44	V546801400	1	STUD BOLT
45	V837070285	1	COVER
46	V837070286	1	COVER
47	V500150642	5	WASHER
48	V581804182	5	HEX SOCKET SCREW

Fendt

9470X (62000-63999) (500000001-999 / 500400001-999 AL) COMBINE

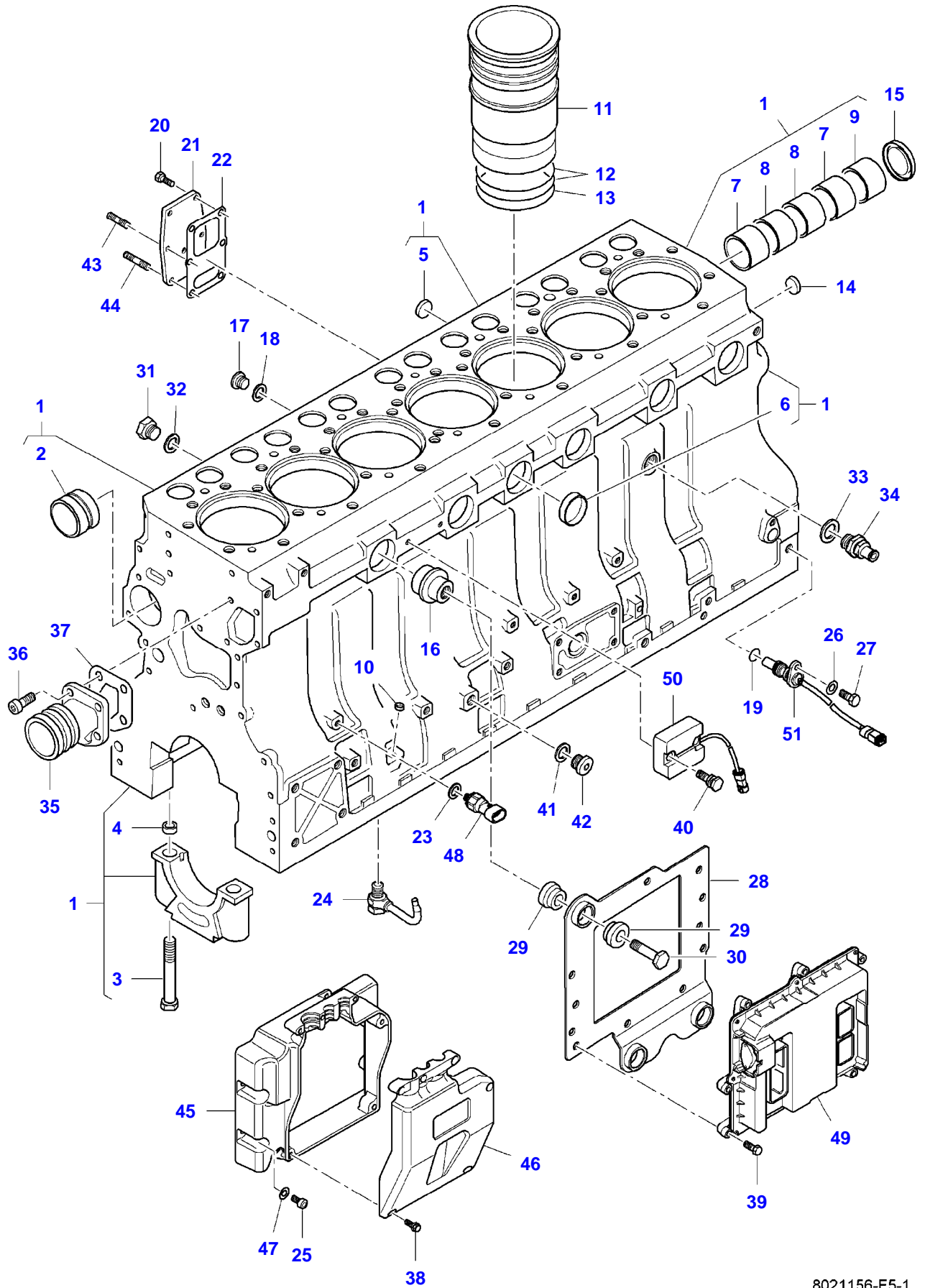
3906268

CYLINDER BLOCK
98 CTA-4V ENGINE

Page01-0009

Item	Part Number	Qty	Description Comments
49		1	SENSOR SEE PAGE 01-0045
50		1	MODULE SEE PAGE 01-0045
51		1	SPEED SENSOR SEE PAGE 01-0045
52		1	CONTROL UNIT SEE PAGE 01-0045 [A] INCLUDED IN KIT V837079268

9470X (62000-63999) (500000001-999 / 500400001-999 AL) COMBINE
8021156-F5-1



8021156-F5-1

CYLINDER BLOCK
98 CTA-4V ENGINE

Item	Part Number	Qty	Description Comments
			FROM ENGINE S/N V13853 UP TO ENGINE S/N X10000
1	V836867842	1	CYLINDER BLOCK
2	V836866069	2	CAMSHAFT BEARING BUSH
	V836866036	X	CAMSHAFT BEARING BUSH
3	V835329030	16	HEX CAP SCREW
4	V836214478	16	GUIDE SLEEVE
5	V640016018	1	PLUG
6	V640016040	5	PLUG
7	V836852460	2	CAMSHAFT BEARING BUSH
8	V836852459	2	CAMSHAFT BEARING BUSH
9	V836852461	1	CAMSHAFT BEARING BUSH
10	V640016012	1	PLUG
11	V836867048	7	LINER
	V836867050	X	LINER
12	V836855446	14	CYLINDER LINER O-RING [A]
13	V836855447	7	CYLINDER LINER O-RING [A]
14	V640016016	2	PLUG [A]
15	V836852744	1	PLUG
16	V837069057	1	PLUG
17	V640325110	5	PLUG
18	V615871014	5	SEALING WASHER [A]
19	V614601524	1	O-RING
20	V528801380	5	HEX CAP SCREW
21	V836855678	1	COVER
22	V836322852	1	GASKET [A]
23	V615871016	1	SEALING WASHER [A]
24	V837074224	7	PISTON COOLING JET R / R. OLD NOT INTERCHANGEABLE WITH NEW V837070021
25	V581804182	5	HEX SOCKET SCREW
26	V500050840	1	FLAT WASHER
27	V528801362	1	HEX CAP SCREW
28	V837070147	1	ECU BRACKET
29	V837069052	6	RUBBER BUSH UP TO ENGINE NUMBER V13852
	V837074327	6	RUBBER BUSH FROM ENGINE S/N V13853
30	V837069056	3	SCREW
31	V836119079	1	PLUG
32	V615881620	1	SEALING WASHER [A]
33	V615881824	1	SEALING WASHER [A]
34	V836664377	1	COCK
35	V836855629	1	FLANGE
36	V581804600	4	HEX SOCKET SCREW
37	V836855554	1	GASKET [A]
38	V590253388	6	SCREW
39	V528801102	8	HEX CAP SCREW
40	V837070197	2	SCREW

Fendt

9470X (62000-63999) (500000001-999 / 500400001-999 AL) COMBINE

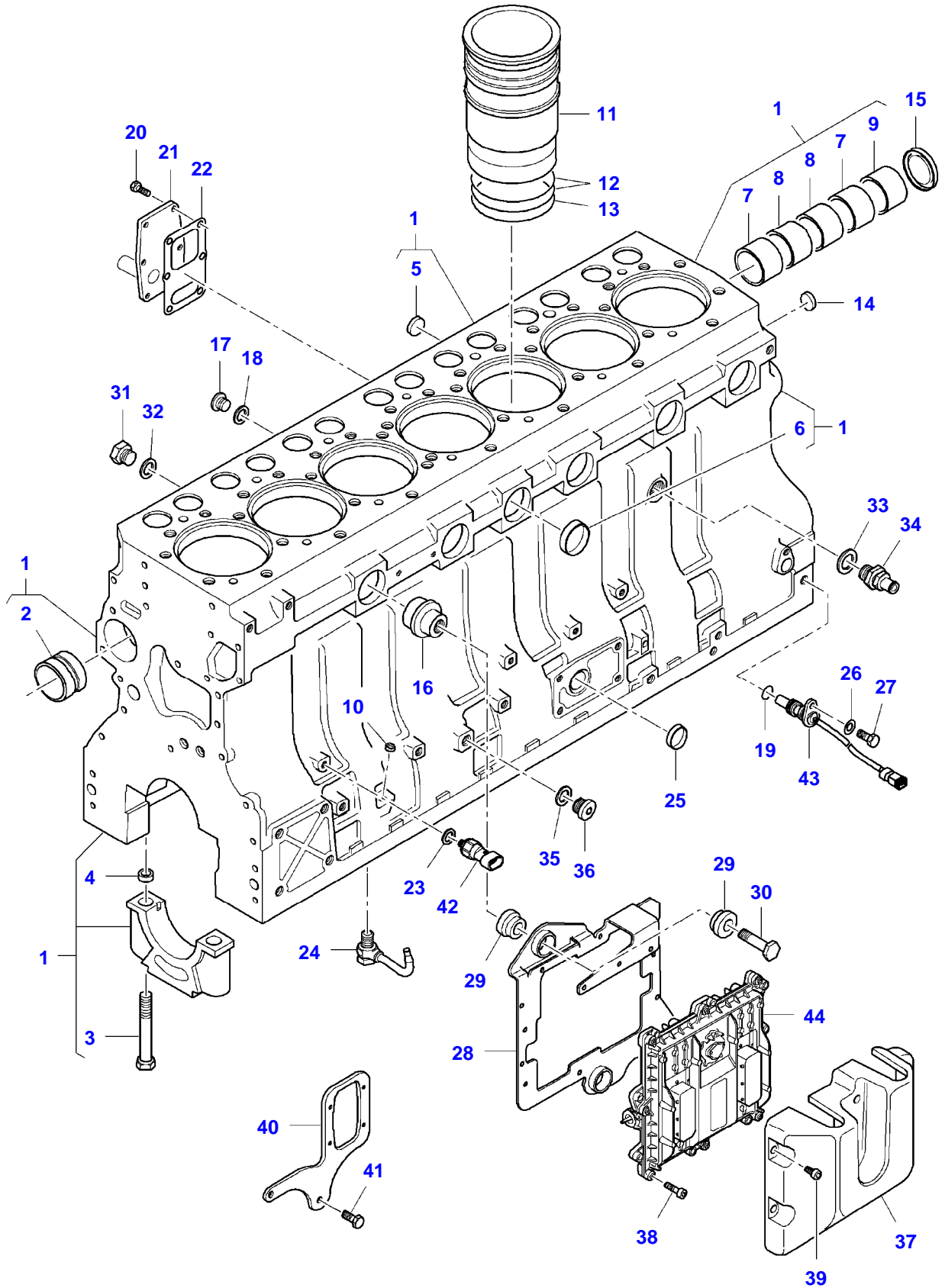
3906268

CYLINDER BLOCK
98 CTA-4V ENGINE

Page01-0010

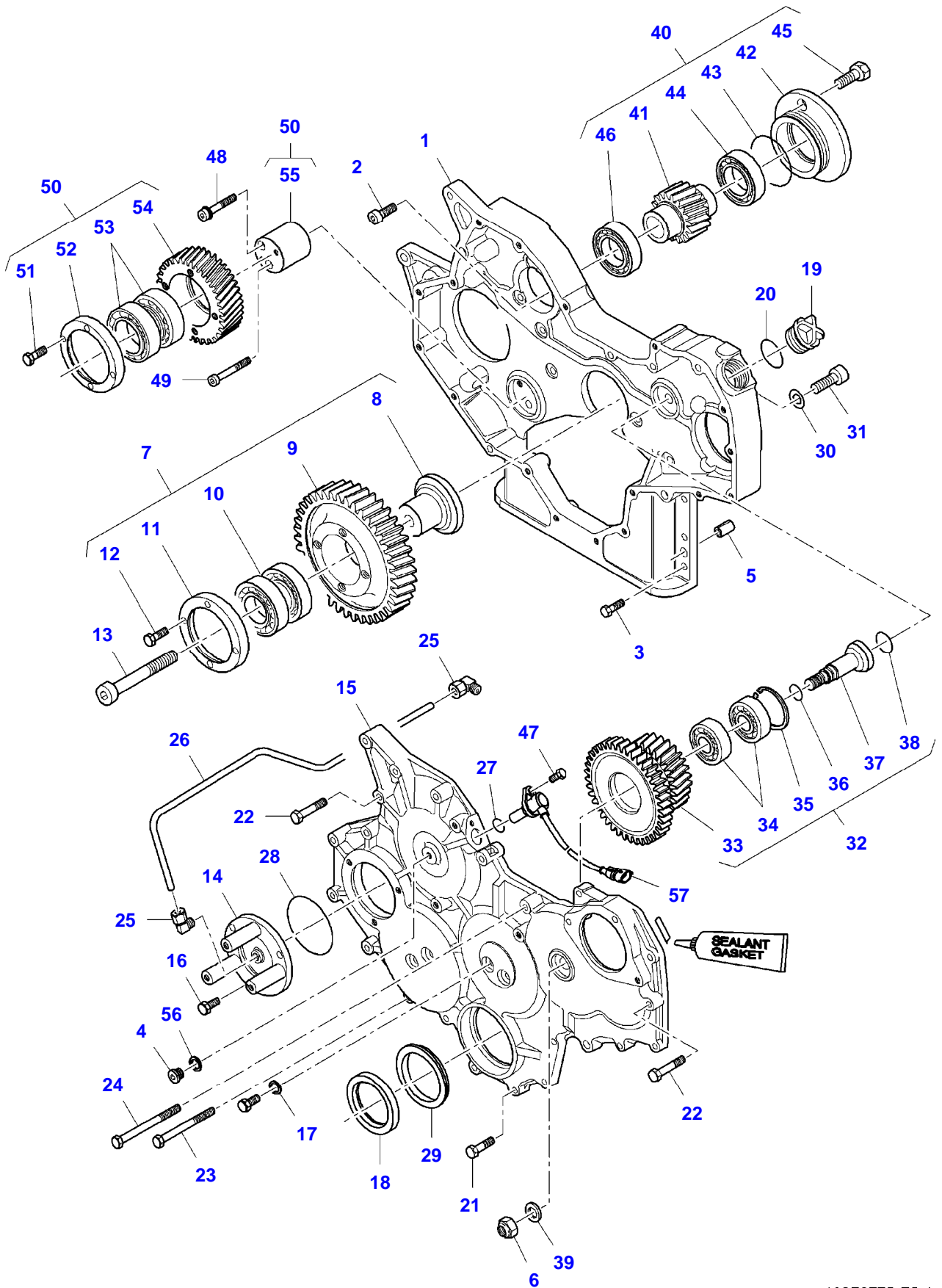
Item	Part Number	Qty	Description Comments
41	V615881420	1	SEALING WASHER [A]
42	V640325014	1	PLUG
43	V546801360	1	STUD BOLT
44	V546801400	1	STUD BOLT
45	V837070285	1	COVER
46	V837070286	1	COVER
47	V500150642	5	WASHER
48		1	SENSOR SEE PAGE 01-0045
49		1	CONTROL UNIT SEE PAGE 01-0045
50		1	MODULE SEE PAGE 01-0045
51		1	SPEED SENSOR SEE PAGE 01-0045 [A] INCLUDED IN KIT V837079268

9470X (62000-63999) (500000001-999 / 500400001-999 AL) COMBINE
8023135-F5-1



Item	Part Number	Qty	Description Comments
			FROM ENGINE S/N X10001
1	V836867842	1	CYLINDER BLOCK
2	V836866069	1	CAMSHAFT BEARING BUSH
3	V835329030	16	HEX CAP SCREW
4	V836214478	16	GUIDE SLEEVE
5	V640016018	1	PLUG
6	V640016040	5	PLUG
7	V836852460	2	CAMSHAFT BEARING BUSH
8	V836852459	2	CAMSHAFT BEARING BUSH
9	V836852461	1	CAMSHAFT BEARING BUSH
10	V640016012	1	PLUG
11	V836867048	7	LINER
12	V836855446	14	CYLINDER LINER O-RING [A]
13	V836855447	7	CYLINDER LINER O-RING [A]
14	V640016016	2	PLUG [A]
15	V836852744	1	PLUG
16	V837069057	1	PLUG
17	V640325110	5	PLUG
18	V615871014	4	SEALING WASHER [A]
19	V614601524	1	O-RING
20	V528801380	5	HEX CAP SCREW
21	V837074414	1	COVER
22	V836322852	1	GASKET [A]
23	V615871016	1	SEALING WASHER [A]
24	V837074224	7	PISTON COOLING JET
25	V640016035	1	PLUG
26	V500050840	1	FLAT WASHER
27	V528801362	1	HEX CAP SCREW
28	V837073836	1	ECU BRACKET
29	V837084129	6	DAMPER
30	V837069056	3	SCREW
31	V836119079	1	PLUG
32	V615881620	1	SEALING WASHER [A]
33	V615881824	1	SEALING WASHER [A]
34	V836664377	1	COCK
35	V615881420	1	SEALING WASHER [A]
36	V640325014	1	PLUG
37	V837073855	1	COVER
38	V581804222	8	HEX SOCKET SCREW
39	V581804182	5	HEX SOCKET SCREW
40	V837074235	1	BRACKET
41	V528801382	2	HEX CAP SCREW
42	V837070201	1	PRESSURE SENSOR
43	V837069150	1	CRANKSHAFT SPEED SENSOR
44	V837073790	1	ENGINE CONTROL UNIT [A] INCLUDED IN KIT V837079268

9470X (62000-63999) (50000001-999 / 500400001-999 AL) COMBINE
19270775-F5-1



Item	Part Number	Qty	Description Comments
			UP TO ENGINE S/N V13852
1	V837070107	1	TIMING GEAR CASE
2	V581804620	2	HEX SOCKET SCREW
3	V528801400	12	HEX CAP SCREW
4	V640325110	1	PLUG
5	V598359850	2	PIN
6	V504601400	1	NUT
7	V837070001	1	KIT, GEAR
8	V836855562	1	SHAFT
9	V837070000	1	IDLER GEAR
10	V610072109	2	BALL BEARING
11	V836855565	1	RING
12	V528901400	4	HEX CAP SCREW
13	V581705910	1	HEX SOCKET SCREW
14	V837073524	1	BRACKET
15	V837073502	1	GEAR HOUSING FRONT COVER
16	V528801380	7	HEX CAP SCREW
17	V615870814	4	SEALING WASHER [A]
18	V837073504	1	CRANKSHAFT SEAL [A]
19	V836017927	1	CAP
20	V614603540	1	O-RING [A]
21	V528801410	10	HEX CAP SCREW
22	V529801440	9	HEX CAP SCREW
23	V529801510	1	HEX CAP SCREW
24	V529801540	1	HEX CAP SCREW
25	V641166006	2	ELBOW FITTING
26	V836867775	1	OIL PIPE
27	V614601718	1	O-RING
28	V614606825	1	O-RING [A]
29	V836873075	1	SHIELD
30	V500951200	1	SPRING WASHER
31	V581705420	1	HEX SOCKET SCREW
32	V837070072	1	DUAL GEAR WHEEL
33	V837070113	1	DUAL GEAR WHEEL
34	V610073040	2	BALL BEARING
35	V617330052	1	LOCK RING
36	V614601324	1	O-RING [A]
37	V837069069	1	SHAFT
38	V614601924	1	O-RING [A]
39	V837069070	1	WASHER
40	V837070137	1	DRIVE
41	V837070005	1	HYDRAULIC PUMP GEAR WHEEL
42	V836855651	1	FLANGE
43	V614609430	1	O-RING [A]
44	V610060096	1	BALL BEARING
45	V528802602	2	HEX CAP SCREW
46	V610060096	1	BALL BEARING
47	V528801062	1	HEX CAP SCREW
48	V580704670	1	HEX SOCKET SCREW
49	V581704710	1	HEX SOCKET SCREW
50	V837070004	1	IDLER GEAR
51	V528901400	4	HEX CAP SCREW
52	V836855565	1	RING
53	V610072109	2	BALL BEARING
54	V837070002	1	IDLER GEAR



Suggest:

For more complete manuals. Please go to the home page.

<https://www.ebooklibonline.com>

If the above button click is invalid. Please download this document first, and then click the above link to download the complete manual.

Thank you so much for reading

Fendt

9470X (62000-63999) (500000001-999 / 500400001-999 AL) COMBINE

3906268

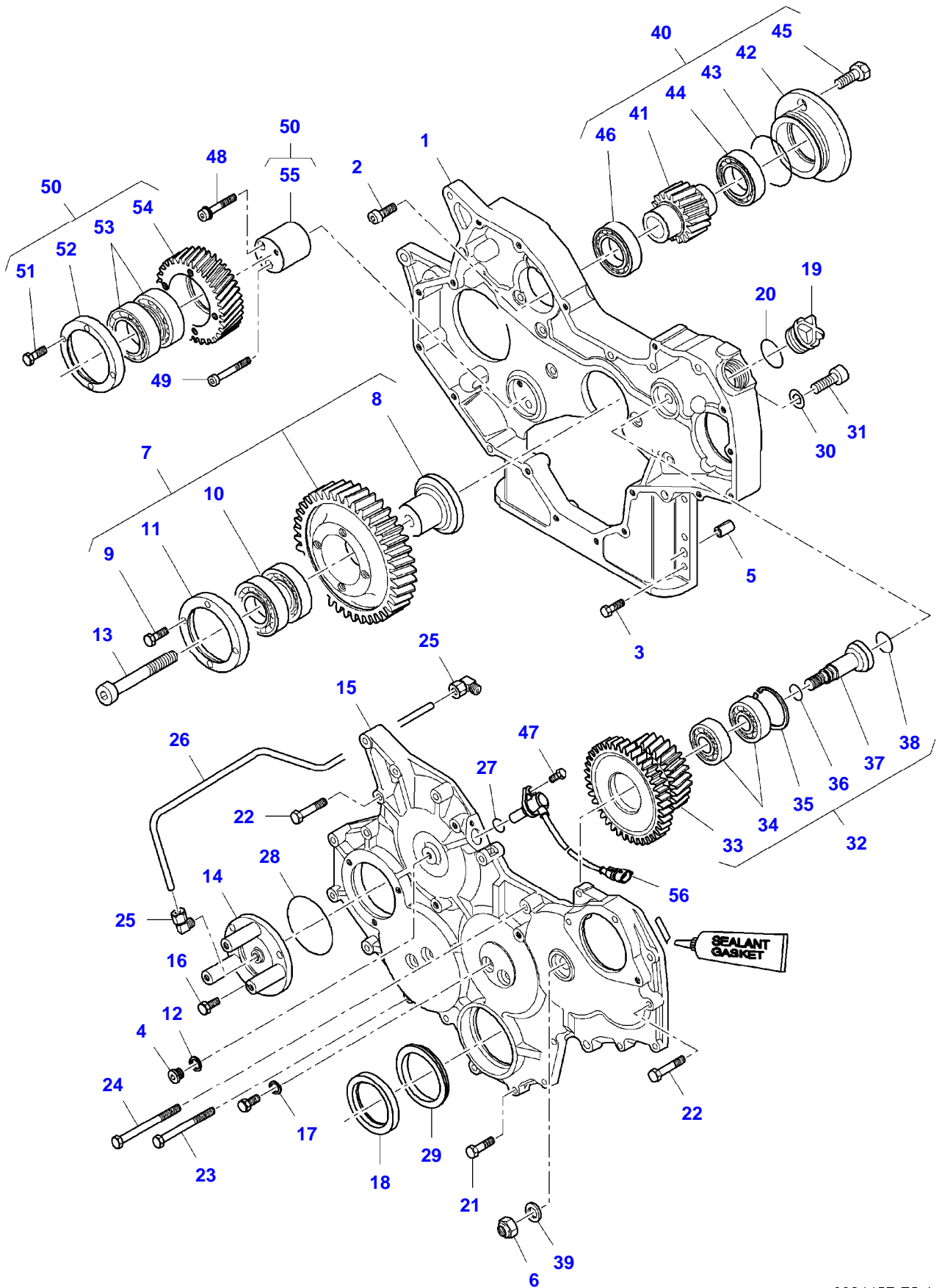
TIMING GEARS AND HOUSING

Page01-0012

98 CTA-4V ENGINE

Item	Part Number	Qty	Description Comments
55	V837070003	1	SHAFT
56	V615871014	1	SEALING WASHER [A]
57		X	SPEED SENSOR SEE PAGE 01-0045 [A] INCLUDED IN KIT V837079268

9470X (62000-63999) (500000001-999 / 500400001-999 AL) COMBINE
8021157-F5-1



<https://www.ebooklibonline.com>

Hello dear friend!

Thank you very much for reading.

Enter the link into your browser.

The full manual is available for immediate download.

<https://www.ebooklibonline.com>