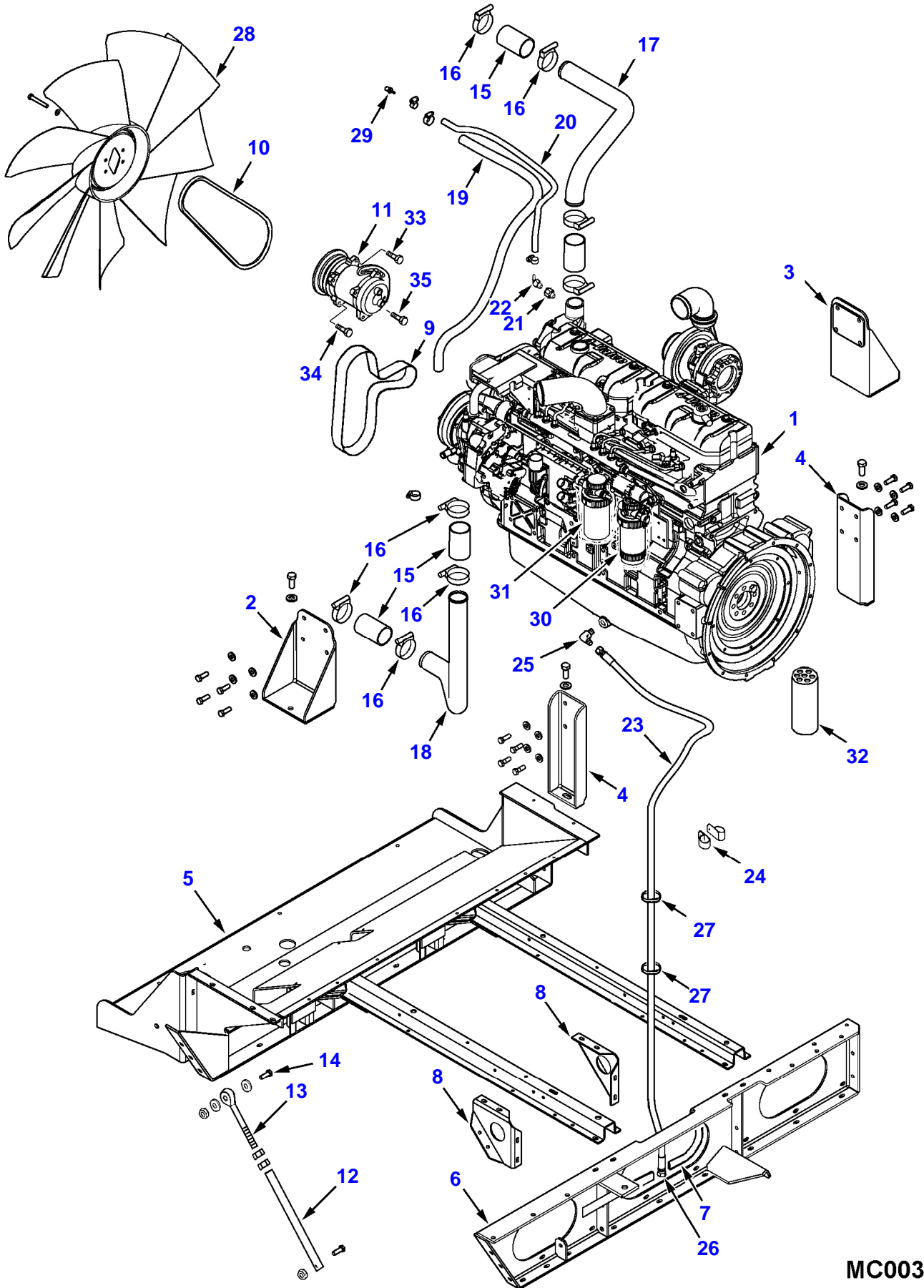


Page Number	Page Title	Page Reference
01-000-TOC	ENGINE, FUEL AND EXHAUST SYSTEM	01-000-TOC
02-000-TOC	DRIVE SYSTEM	02-000-TOC
03-000-TOC	AXLES	03-000-TOC
04-000-TOC	FRAME AND SUSPENSION	04-000-TOC
05-000-TOC	STEERING SYSTEM	05-000-TOC
06-000-TOC	DRIVE TRAIN SYSTEM	06-000-TOC
07-000-TOC	BRAKE SYSTEM	07-000-TOC
08-000-TOC	HYDRAULIC SYSTEM	08-000-TOC
09-000-TOC	ELECTRICAL SYSTEM	09-000-TOC
10-000-TOC	CAB	10-000-TOC
11-000-TOC	AIR CONDITIONING AND HEATING SYSTEM	11-000-TOC
12-000-TOC	CHASSIS	12-000-TOC
13-000-TOC	DECALS	13-000-TOC
14-000-TOC	WHEELS	14-000-TOC
15-000-TOC	FEEDING SYSTEM	15-000-TOC
16-000-TOC	THRESHING SYSTEM	16-000-TOC
17-000-TOC	CLEANING SYSTEM	17-000-TOC
18-000-TOC	GRAIN BIN AND ELEVATOR SYSTEM	18-000-TOC
19-000-TOC	DISCHARGE SYSTEM	19-000-TOC
20-000-TOC	PRECISION FARMING SYSTEMS	20-000-TOC

Page Number	Page Title	Page Reference
01-0001	ENGINE AND MOUNTING	T05L09O11C0001
01-0002	CYLINDER BLOCK	T05L09O11C0002
01-0003	FRONT GEAR HOUSING	T05L09O11C0003
01-0004	FLYWHEEL AND HOUSING	T05L09O11C0004
01-0005	CRANKSHAFT AND PISTONS	T05L09O11C0005
01-0006	CAMSHAFT AND VALVE	T05L09O11C0006
01-0007	CYLINDER HEAD	T05L09O11C0007
01-0008	INTAKE AND EXHAUST MANIFOLD	T05L09O11C0008
01-0009	TURBOCHARGER	T05L09O11C0009
01-0010	OIL SUMP AND PUMP	T05L09O11C0010
01-0011	OIL COOLER AND FILTER	T05L09O11C0011
01-0012	OIL FILTER, CENTRIFUGAL	T07A23O20B0001
01-0013	COOLANT PUMP SYSTEM	T05L09O11C0012
01-0014	COOLANT PUMP	333431
01-0015	INJECTION PUMP SYSTEM	T05L09O11C0013
01-0016	FUEL LINES AND FILTERS	T05L09O11C0014
01-0017	ENGINE ELECTRICAL	T05L09O11C0015
01-0018	ALTERNATOR	T05L09O11C0016
01-0019	ALTERNATOR	71419761-06-11
01-0020	STARTER MOTOR, ISKRA	T05L09O11C0017
01-0021	DRIVE BELT SYSTEM	T07K26N47D0001
01-0022	ENGINE OVERHAUL KIT	T05L09O11C0019
01-0023	AIR INTAKE - EXHAUST SYSTEM	71419762-01-12
01-0024	AIR PRE-CLEANER KIT	71434277-01-11
01-0025	COOLANT AND AIR TUBES	71419762-01-22
01-0026	POWER TAKE OFF	71420702-02-11
01-0027	RADIATOR PACKAGE	71419760-03-22
01-0028	COOLING SYSTEM	71419760-03-12
01-0029	COOLING SYSTEM	71436632-01-12
01-0030	SLINGER ASSEMBLY	71404413-02-11
	PRIOR S/N AHC07101	
01-0031	SLINGER ASSEMBLY	71428836-03-11
	EFFECTIVE S/N AHC07101	
01-0032	SHIELD AND DEFLECTOR, ROTARY SCREEN	71428048-02-11
01-0033	ROTARY SCREEN LATCH	71420613-01-11
01-0034	ROTARY SCREEN LATCH	71434299-01-11
01-0035	FUEL LINES	71424480-05-11
01-0036	FUEL FILTER KIT	71422668-02-22
01-0037	FUEL TANK AND LINES	71414311-02-22

9350R ROTARY COMBINE
MC00398



MC00398

<https://www.ebooklibonline.com>

Hello dear friend!

Thank you very much for reading.

Enter the link into your browser.

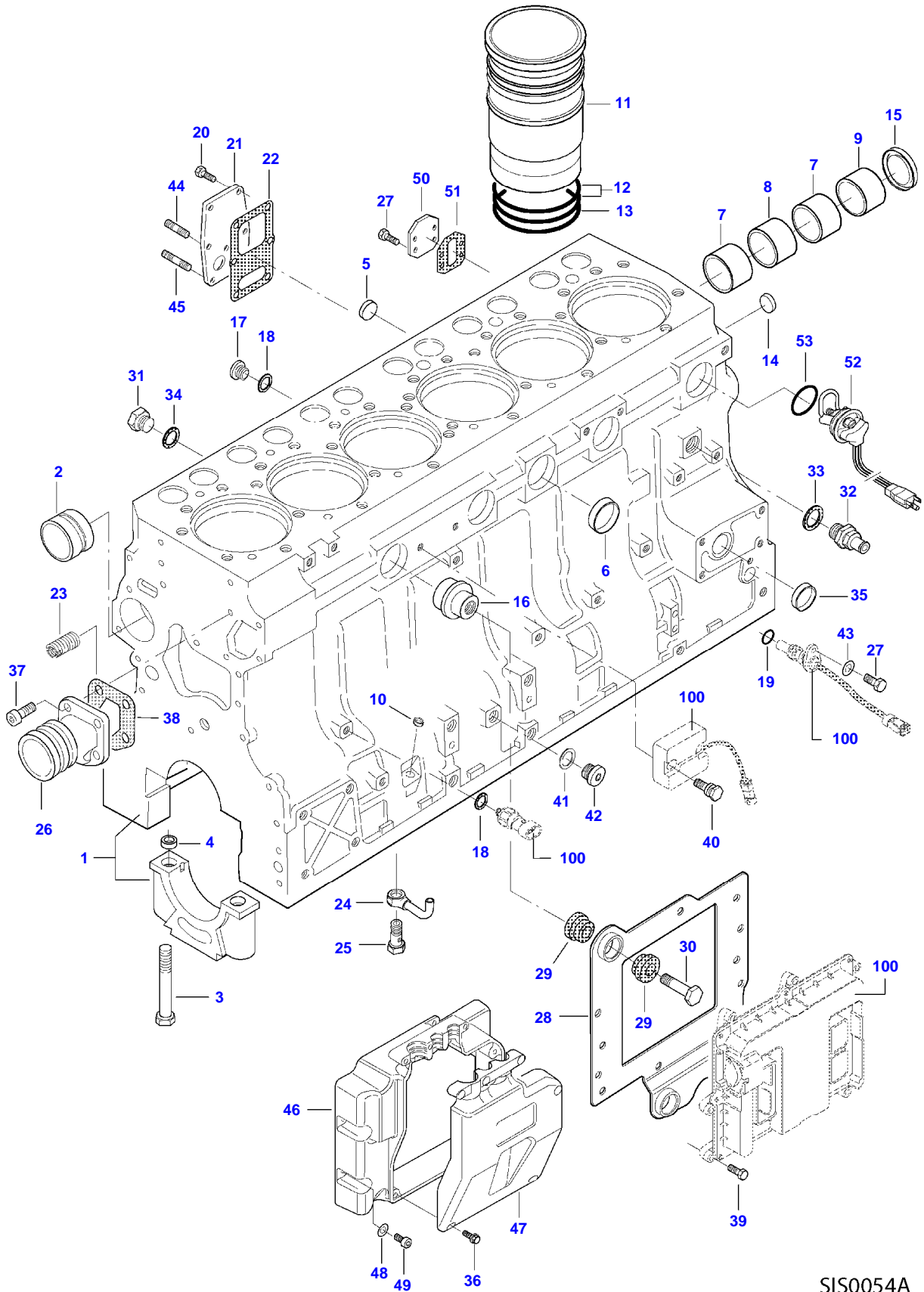
The full manual is available for immediate download.

<https://www.ebooklibonline.com>

Item	Part Number	Qty	Description Comments	Technical Specification
2	71409064	1	MOUNTING BRACKET, RIGHT HAND	
3	71409065	1	MOUNTING BRACKET, RIGHT HAND	
	7701758	2	HEX CAP SCREW	5/8"-11 X 1-1/2
	Y705582	2	FLAT WASHER	5/8"
	3818907M1	6	BOLT	
4	71405966	2	ENGINE MOUNT BRACKET, LEFT HAND	
	7701758	2	HEX CAP SCREW	5/8"-11 X 1-1/2
	Y705582	2	FLAT WASHER	5/8"
	3818907M1	8	BOLT	
	3012167X1	8	HEXAGON FLANGE BOLT	M10 X 30 (1.5) ISO 8.8 ZN
	5000004X1	8	HEX FLANGE LOCKNUT	M10 (1.5) ISO 10
6	71420150	1	ENGINE SUBFRAME, LEFT HAND	
	3012167X1	16	HEXAGON FLANGE BOLT	M10 X 30 (1.5) ISO 8.8 ZN
	5000004X1	16	HEX FLANGE LOCKNUT	M10 (1.5) ISO 10
7	700718444	1	PUSH ON TRIM	233MM
8	102302M1	2	ENGINE RAIL GUSSET	
	3012167X1	4	HEXAGON FLANGE BOLT	M10 X 30 (1.5) ISO 8.8 ZN
	5000004X1	4	HEX FLANGE LOCKNUT	M10 (1.5) ISO 10
9		1	SEE "DRIVE BELT SYSTEM"	
10	71148120	1	V-BELT	51"
11	71379601	1	AIR CONDITIONING COMPRESSOR	
	71386436	1	COMPRESSOR CLUTCH SEALED BEARING	
	353728X1	2	HEX CAP SCREW	5/8"-11 X 2.00 -SAE 5-ZN
	70923353	2	HEX LOCKNUT	5/8"-11, GRA
13	71343344	2	EYE BOLT	3/4"-10 X 6"
	42578PF	4	HEX NUT	3/4"-10, G2
14	70925872	2	HEXAGONAL HEAD BOLT	3/4"-10 X 2-1/4", GR5
	AG561156	4	FLAT WASHER	3/4"
	70919332	2	LOCK WASHER	3/4"
	42578PF	6	HEX NUT	3/4"-10, G2
15	71367037	4	CONNECTOR SLEEVE	2-1/4" ID X 4"
16	71366540	8	CONSTANT TORQUE CLAMP	3.110" OD TO 2.245" OD
19	71408686	1	HOSE	3/4 ID
	AG561229	2	HOSE CLAMP	13/16"-1-3/4", SAE 20 ,SS
20	71408687	1	HOSE	3/16 ID
	70929402	2	HOSE CLAMP	1/4" X 5/8"
21	700716238	1	ADAPTER FITTING	1/8" F NPTF X M10 X 1 M ORB
	700716061	1	O-RING	8.10 OD X 1.6MM
22	71406629	1	ELBOW FITTING	90 DEG, 0.125FNPT X 3/16 BARB
23	71427167	1	HYDRAULIC HOSE	5/8" ID X 3051MM
24	70937677	4	J-CLIP	1" ID X 10.31MM HOLE
	70937684	4	J-CLIP	1-1/4" ID X .406" HOLE
	3012166X1	3	HEXAGON FLANGE BOLT	M10 X 25 (1.5) ISO 8.8 ZN
	5000004X1	3	HEX FLANGE LOCKNUT	M10 (1.5) ISO 10
25	3019418X91	1	ELBOW FITTING	7/8"-14 MJIC X M22 X 1.5 M ORB
	3019398X1	1	O-RING	?19,30 X 2,20 MM
26	70924290	1	HEX HEAD PLUG	7/8"-14
27	3619622M1	2	CABLE TIE	L = 390 MM
28	71407844	1	FAN BLADE	
	3009213X1	6	HEXAGON FLANGE BOLT	M10 X 60 (1.5) ISO 10.9 ZN
	Y705533	6	FLAT WASHER	3/8"
29	71406628	1	COUPLING	3/16" X 1/4"
30	V836867591	1	FUEL ELEMENT	
31	V836867595	1	FUEL ELEMENT	
32	V836379588	1	ENGINE OIL FILTER	
33	3009495X1	1	HEX CAP SCREW	M10 X 40 (1.5) ISO 8.8 ZN
	SN317	1	FLAT WASHER	3/8"
	339376X1	1	LOCKWASHER	M10 ZN
	339402X1	1	HEX NUT	M10 (1.5) ISO 8 ZN
34	3009495X1	1	HEX CAP SCREW	M10 X 40 (1.5) ISO 8.8 ZN
	339376X1	1	LOCKWASHER	M10 ZN
	339402X1	1	HEX NUT	M10 (1.5) ISO 8 ZN
35	72160927	1	SPLIT SLEEVE	

Item	Part Number	Qty	Description Comments	Technical Specification
	3009495X1	1	HEX CAP SCREW	M10 X 40 (1.5) ISO 8.8 ZN
	339376X1	1	LOCKWASHER	M10 ZN
	339402X1	1	HEX NUT	M10 (1.5) ISO 8 ZN

9350R ROTARY COMBINE
SIS0054A



SIS0054A

Item	Part Number	Qty	Description Comments
1	V837086411	1	CYLINDER BLOCK
	V836867046	1	CYLINDER-BLOCK [B]
2	V836866069	1	CAMSHAFT BEARING BUSHING [A]
3	V529903180	14	HEX CAP SCREW [A]
4	V836214478	24	GUIDE SLEEVE [A]
5	V640016018	1	PLUG [A]
6	V640016040	5	PLUG [A]
7	V836852460	2	CAMSHAFT BEARING BUSHING [A]
8	V837084307	1	CAMSHAFT BEARING BUSHING [A]
9	V836852461	1	CAMSHAFT BEARING BUSHING [A]
10	V640016012	1	PLUG
11	V836867048	6	LINER
	V836867050	-	LINER
12	V836855446	12	CYLINDER LINER O-RING
13	V836855447	6	CYLINDER LINER O-RING
14	V640016016	4	PLUG
15	V836852744	1	PLUG
16	V837069057	1	PLUG
17	V640325110	5	PLUG
18	V615871014	5	SEALING WASHER
19	V614601524	1	O-RING
20	V528801382	5	HEX CAP SCREW
21	V836855678	1	COVER
22	V836322852	1	GASKET
23	V836859153	1	THREADED BUSH
24	V837070021	6	PIPE
25	V836338601	6	PRESSURE VALVE
26	V836855629	1	FLANGE
27	V528801362	5	HEX CAP SCREW
28	V837070147	1	ECU BRACKET
29	V837069052	6	RUBBER BUSH
30	V837069056	3	SCREW
31	V836119079	1	PLUG
32	V836664377	1	COCK
33	V615881824	1	SEALING WASHER
34	V615881620	1	SEALING WASHER
35	V640016035	1	PLUG
36	V590253388	6	SCREW
37	V581804602	5	HEX SOCKET SCREW
38	V836855554	1	GASKET
39	V529801102	8	HEX CAP SCREW
40	V837070197	1	SCREW
41	V615881420	1	SEALING WASHER
42	V640325014	1	PLUG
43	V500050842	1	WASHER
44	V546801360	1	STUD BOLT
45	V546801400	1	STUD BOLT
46	V837070285	1	COVER
47	V837070286	1	COVER
48	V500150642	5	WASHER
49	V581804182	5	HEX SOCKET SCREW
50	V836866957	1	COVER
51	V836866958	1	GASKET
52	V836840934	1	ENGINE BLOCK HEATER
53	V836840998	1	O-RING

100

SEE "ENGINE ELECTRICAL"

Fendt

9350R ROTARY COMBINE

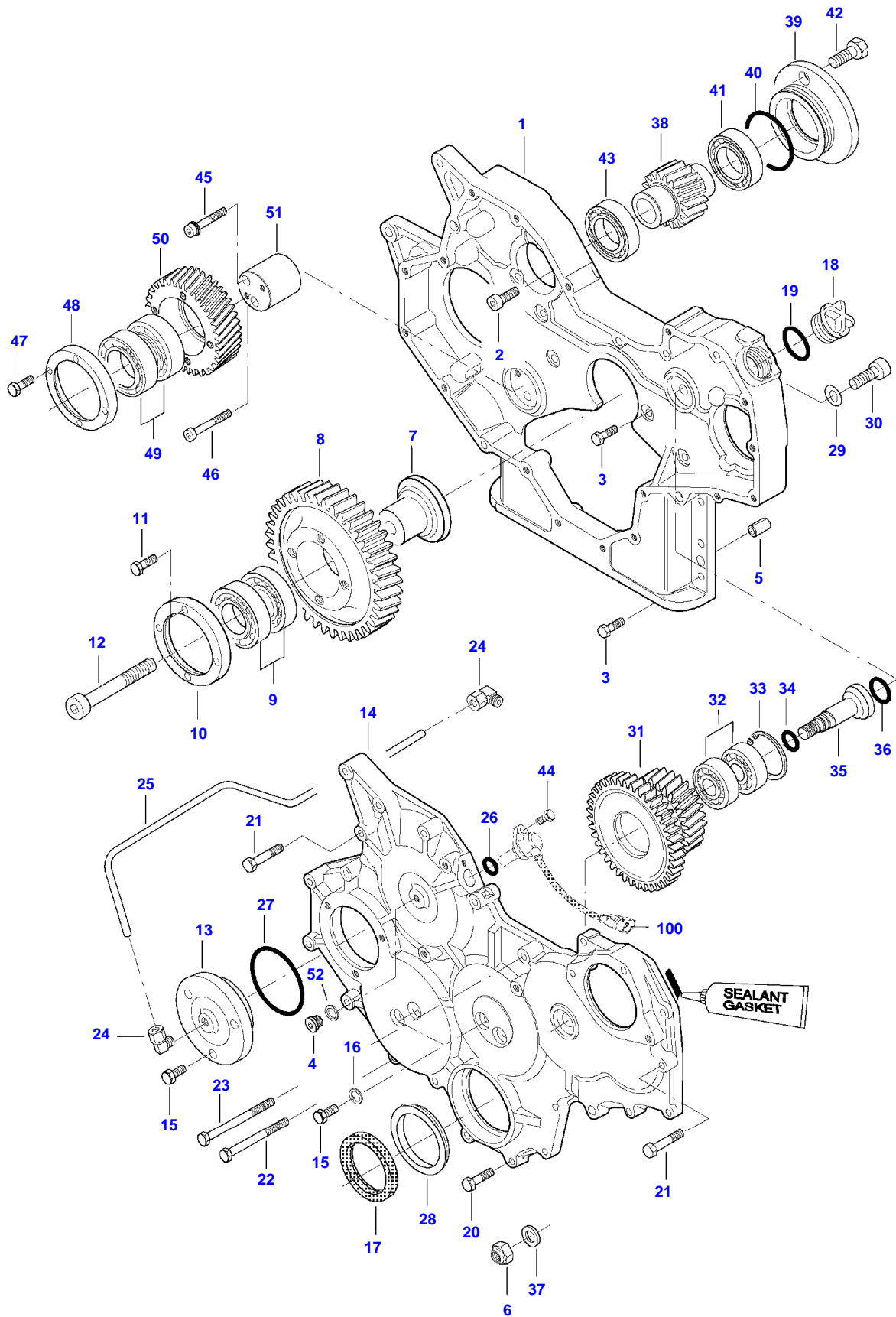
79032838

CYLINDER BLOCK

Page01-0002

Item	Part Number	Qty	Description Comments
			[A] INCLUDED IN ITEM 1
			[B] NOT ILLUSTRATED

9350R ROTARY COMBINE
SIS0053A



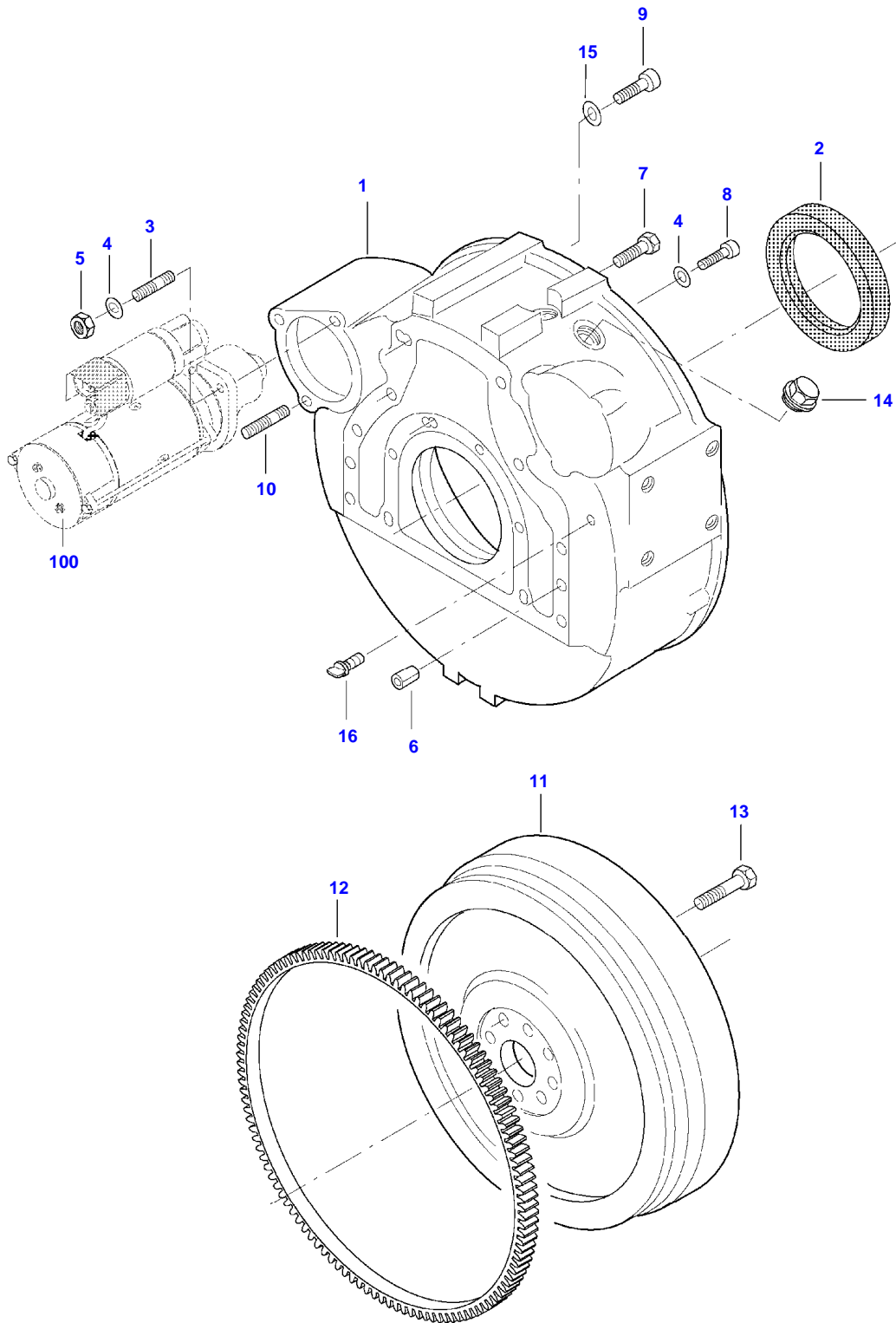
SIS0053A

Item	Part Number	Qty	Description Comments
1	V837070107	1	TIMING GEAR CASE
2	V581804620	2	HEX SOCKET SCREW
3	V528801402	12	HEX CAP SCREW
4	V640325110	1	PLUG
5	V598359850	2	PIN
6	V504601400	1	NUT
	V837070001	1	KIT, GEAR INCLUDES ITEMS 7-11
7	V836855562	1	SHAFT
8	V837070000	1	IDLER GEAR
9	V610072109	2	BALL BEARING
10	V836855565	1	RING
11	V528901400	4	HEX CAP SCREW
12	V581705910	1	HEX SOCKET SCREW
13	V837070179	1	COVER
14	V837070108	1	GEAR HOUSING FRONT COVER
15	V528801382	7	HEX CAP SCREW
16	V615870814	4	SEALING WASHER
17	V836840883	1	CRANKSHAFT SEAL
	V836873100	-	SPACER
18	V836017927	1	CAP
19	V614603540	1	O-RING
20	V528801410	10	HEX CAP SCREW
21	V529801440	9	HEX CAP SCREW
22	V529801510	1	HEX CAP SCREW
23	V529801540	1	HEX CAP SCREW
24	V641166006	2	ELBOW FITTING
25	V836867775	1	OIL PIPE
26	V614601718	1	O-RING
27	V614606825	1	O-RING
28	V836855636	1	SHIELD
29	V500951200	1	SPRING WASHER
30	V528902200	1	HEX CAP SCREW
	V581705420	1	HEX SOCKET SCREW
	V837070072	1	DUAL GEAR WHEEL INCLUDES ITEMS 31-36
31	V837070113	1	DUAL GEAR WHEEL
32	V610073040	2	BALL BEARING
33	V617330052	1	LOCK RING
34	V614601324	1	O-RING
35	V837069069	1	SHAFT
36	V614601924	1	O-RING
37	V837069070	1	WASHER
	V837070137	1	DRIVE INCLUDES ITEMS 38-41
38	V837070005	1	HYDRAULIC PUMP GEAR WHEEL
39	V836855651	1	FLANGE
40	V614609430	1	O-RING
41	V610060096	1	BALL BEARING
42	V528802602	2	HEX CAP SCREW
43	V610060096	1	BALL BEARING
44	V528801062	1	HEX CAP SCREW
45	V580704670	1	HEX SOCKET SCREW
46	V581704710	1	HEX SOCKET SCREW
	V837070004	1	IDLER GEAR INCLUDES ITEMS 47-51
47	V528901400	4	HEX CAP SCREW
48	V836855565	1	RING
49	V610072109	2	BALL BEARING
50	V837070002	1	IDLER GEAR
51	V837070003	1	SHAFT
52	V615871014	1	SEALING WASHER

100

SEE "ENGINE ELECTRICAL"

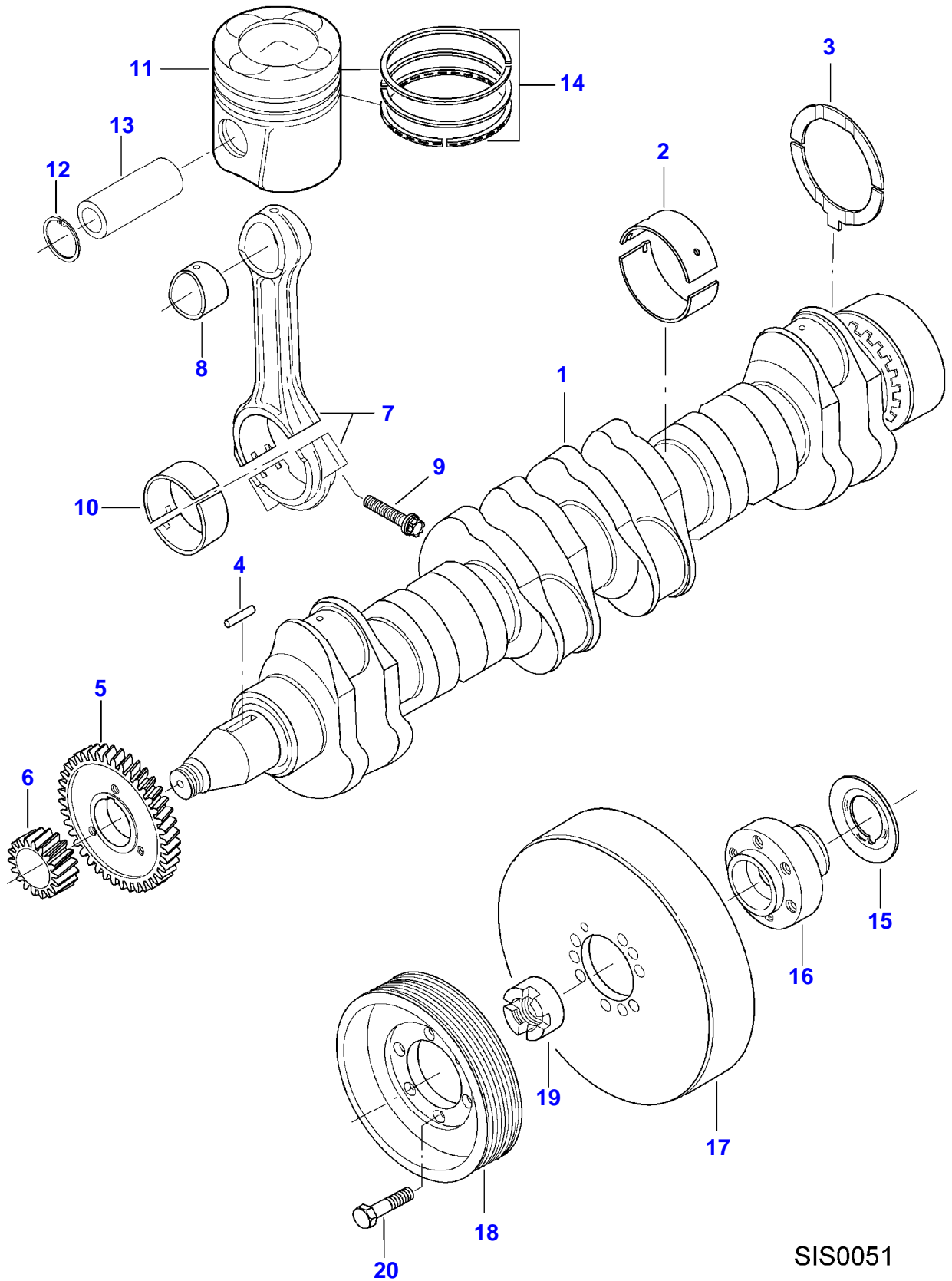
9350R ROTARY COMBINE
SIS0052A



SIS0052A

Item	Part Number	Qty	Description Comments
1	V836652468	1	FLYWHEEL HOUSING
2	V836840884	1	CRANKSHAFT SEAL
3	V546801800	2	STUD BOLT
4	V500951000	6	SPRING WASHER
5	V504601000	3	NUT
6	V598359850	2	PIN
7	V528902220	6	HEX CAP SCREW
8	V581705030	6	HEX SOCKET SCREW
9	V581705440	2	HEX SOCKET SCREW
10	V546801820	1	STUD BOLT
11	V836859485	1	FLYWHEEL
12	V836117943	1	STARTER RING [A]
13	V529702630	8	HEX CAP SCREW
14	V640045126	1	PLUG
15	V500951200	1	SPRING WASHER
16	V836859311	1	PLUG
100	V836874005	1	STARTER MOTOR [A] INCLUDED IN ITEM 11

9350R ROTARY COMBINE
SIS0051



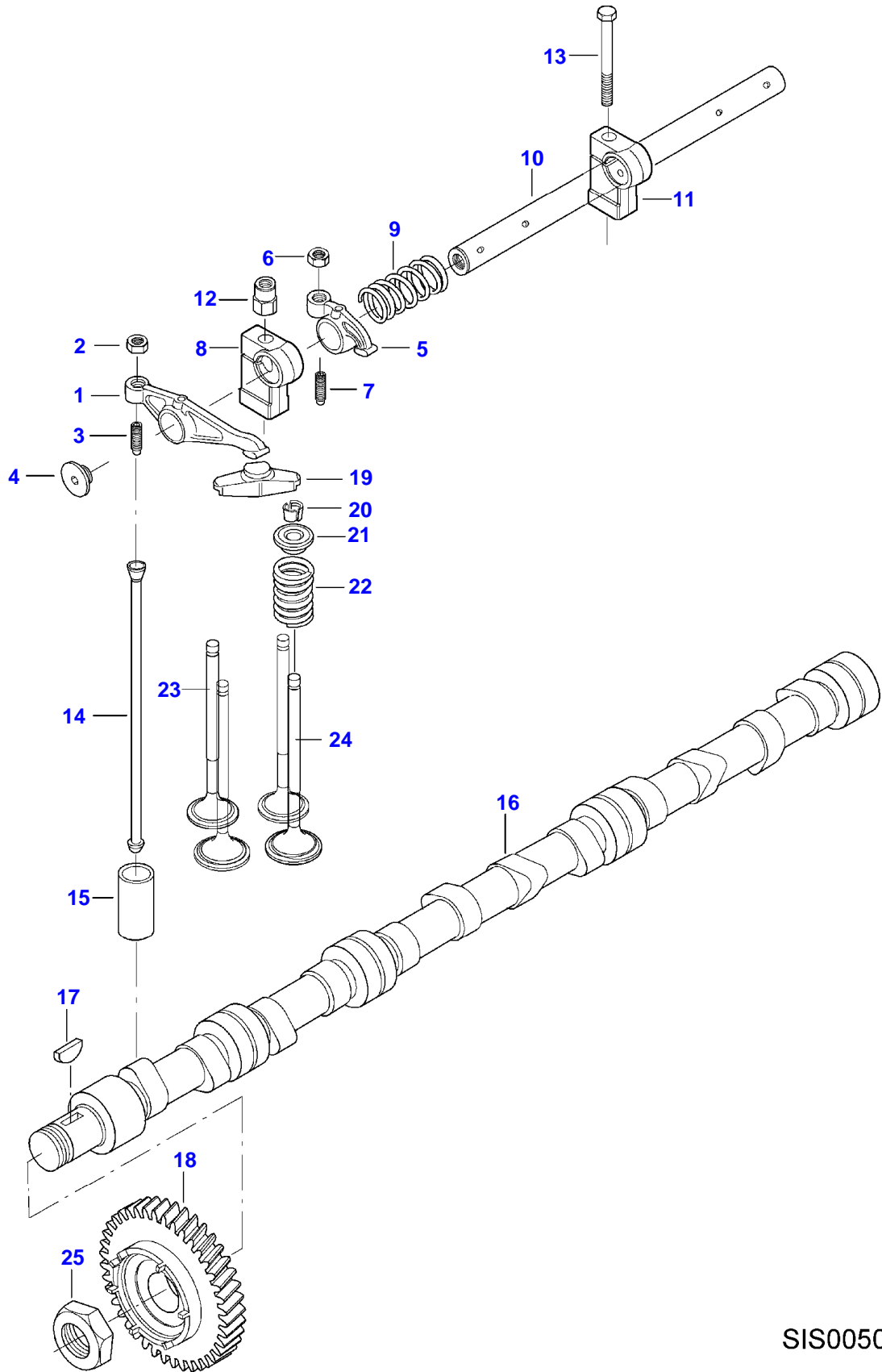
SIS0051

Item	Part Number	Qty	Description Comments	Technical Specification
1	V837069088	1	CRANKSHAFT	
2	V836840944	7	MAIN BEARING STANDARD	
	V836840978	7	MAIN BEARING	
	V836840979	7	MAIN BEARING	
	V836840980	7	MAIN BEARING	
	V836840981	7	MAIN BEARING	
3	V836840945	2	THRUST WASHER	
	V836840982	2	THRUST WASHER	
	V836840983	2	THRUST WASHER	
4	V836855525	1	KEY	
5	V836855558	1	GEAR,CRANKSHAFT	
6	V837069060	1	GEAR	
7	V836340948	-	CONNECTING ROD KIT INCLUDES SIX RODS IN SAME WEIGHT CLASS	
	V836864101	6	CONROD STAMPED E	
	V836864102	6	CONROD STAMPED F	
	V836864103	6	CONROD STAMPED G	
	V836864104	6	CONROD STAMPED H	
	V836864105	6	CONROD STAMPED I	
	V836864106	6	CONROD STAMPED J	
	V836864107	6	CONROD STAMPED K	
8	V836864288	6	BEARING BUSH [A]	
9	V836864141	12	CONNECTING ROD BOLT [A]	
10	V837062996	6	CONROD BEARING	
	V836338650	6	BEARING SHELL	+0.25
	V836338651	6	BEARING SHELL	
	V836338652	6	BEARING SHELL	
	V836338653	6	BEARING SHELL	
11	V837073230	6	PISTON	
12	NS	12	NON-SERVICEABLE PART [B]	
13	NS	6	NON-SERVICEABLE PART [B]	
14	V836840887	6	PISTON RING KIT [B]	
15	V836855637	1	RING	
16	V836855641	1	CRANKSHAFT HUB	
17	V836840882	1	CRANKSHAFT VIBRATION DAMPENER	
18	V836855690	1	CRANKSHAFT PULLEY	
19	V836322221	1	CRANKSHAFT NUT	
20	V528702230	6	HEX CAP SCREW	

[A] INCLUDED IN ITEM 7

[B] INCLUDED IN ITEM 11

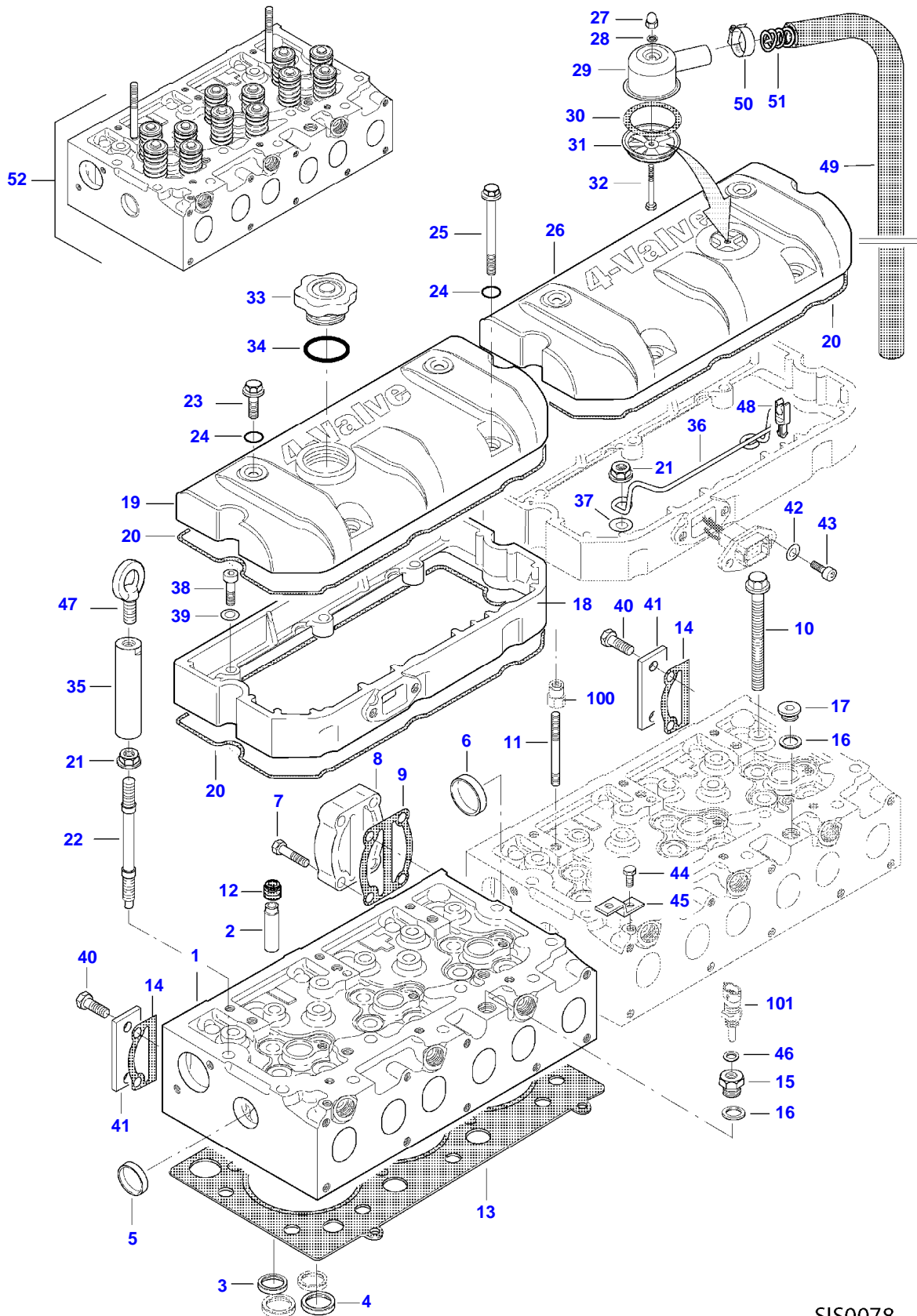
9350R ROTARY COMBINE
SIS0050



SIS0050

Item	Part Number	Qty	Description Comments
1	V837069011	6	ROCKER ARM [C]
2	V512861000	6	NUT [A][C]
3	V837069023	6	VALVE ROCKER ADJUSTMENT SCREW [A][C]
4	V837069020	4	PLUG [C]
5	V837069013	6	ROCKER ARM [C]
6	V512861000	6	NUT [B][C]
7	V837069023	6	VALVE ROCKER ADJUSTMENT SCREW [B][C]
8	V837069017	4	ROCKER SHAFT BRACKET [C]
9	V837069019	4	SPRING [C]
10	V837069015	2	SHAFT [C]
11	V837069018	2	ROCKER SHAFT BRACKET [C]
12	V836655406	4	NUT
14	V837069014	12	PUSH ROD
15	V836014264	12	TAPPET
16	V837070148	1	CAMSHAFT
	V836866036	-	CAMSHAFT BEARING BUSHING
17	V603305760	1	WOODRUFF KEY
18	V837070036	1	GEAR,CAMSHAFT
19	V837073089	12	VALVE BRIDGE
20	V837064910	48	COTTER
21	V837069004	24	SPRING PLATE
22	V837069005	24	VALVE SPRING
23	V837069002	12	EXHAUST VALVE
24	V837069003	12	INTAKE VALVE
25	V837069085	1	NUT
26	V837069016	2	ROCKER SHAFT ASM [D]
			[A] INCLUDED IN ITEM 1
			[B] INCLUDED IN ITEM 5
			[C] INCLUDED IN ITEM 26
			[D] NOT ILLUSTRATED

9350R ROTARY COMBINE
SIS0078

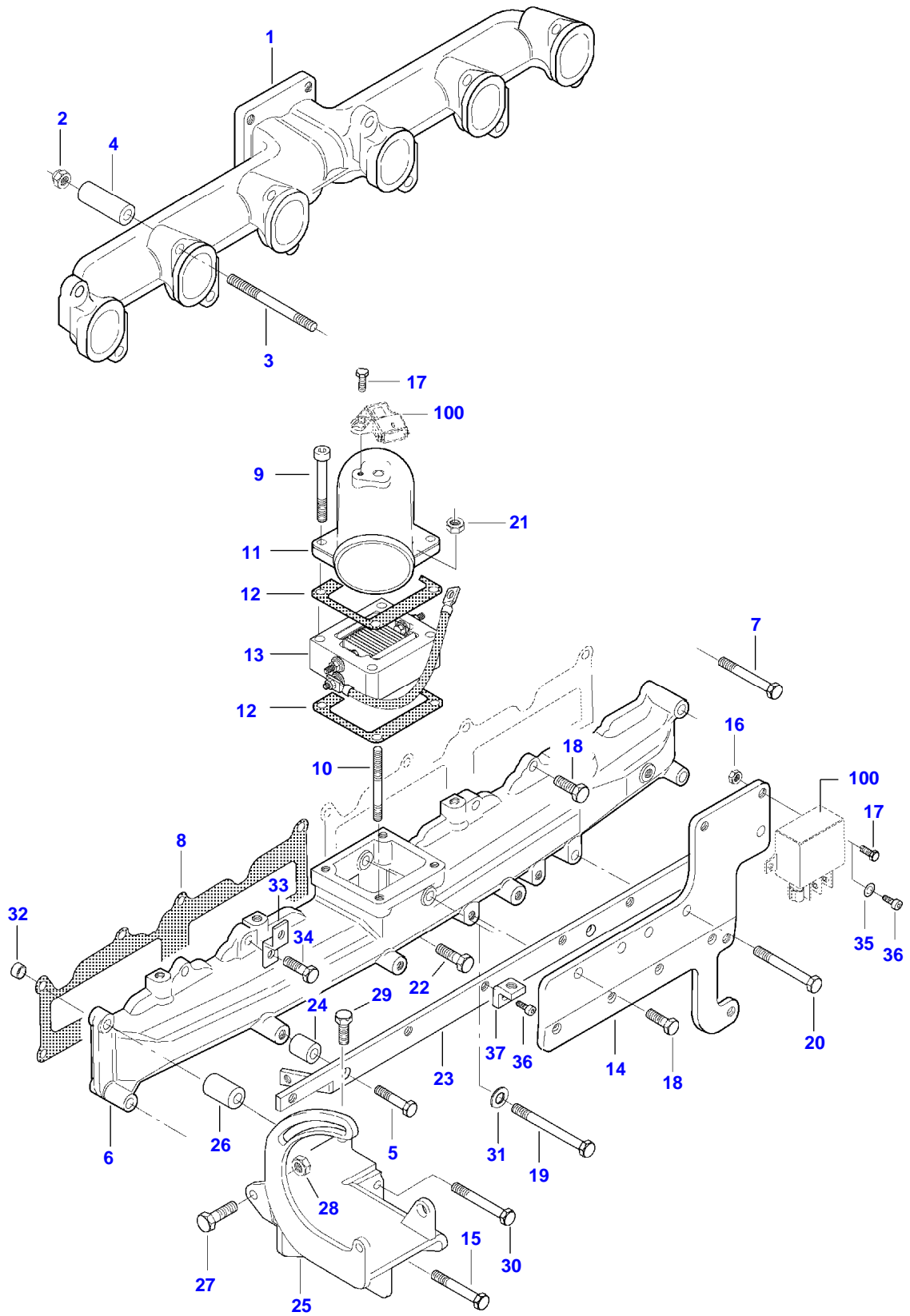


SIS0078

Item	Part Number	Qty	Description Comments
1	NS	2	NON-SERVICEABLE PART
2	V837073174	24	VALVE GUIDE [B]
3	V837064907	12	VALVE SEAT [B]
4	V837070187 V837064908	- 12	VALVE SEAT VALVE SEAT [B]
5	V837070188 V836647942	- 4	VALVE SEAT PLUG [B]
6	V640016045	1	PLUG
7	V528801830	4	HEX CAP SCREW
8	V836855348	1	CONNECTION FLANGE
9	V836867752	1	GASKET
10	V837069025	32	CYLINDER HEAD BOLT
11	V546801900	4	STUD BOLT
12	V837073165	24	VALVE STEM GASKET
13	V837084523	2	CYLINDER HEAD GASKET
14	V836867753	2	GASKET
15	V837086509	1	THREADED NIPPLE
16	V615881822	2	SEALING WASHER
17	V640325018	1	PLUG
18	V837069021	2	VALVE ROCKER COVER FRAME
19	V837070447	1	VALVE ROCKER COVER
20	V837067881	4	VALVE ROCKER COVER GASKET
21	V836859110	2	NUT
22	V836859109	2	STUD BOLT
23	V540801780	4	HEXAGON FLANGE BOLT
24	V614901030	8	O-RING
25	V540801910	4	HEXAGON FLANGE BOLT
26	V837070452	1	VALVE ROCKER COVER
27	V519600602	1	NUT [A]
28	V836667508	1	SEALING WASHER [A]
29	V837070442	1	BREATHER [A]
30	V836667459	1	GASKET [A]
31	V837070443	1	BREATHER [A]
32	V528801172	1	HEX CAP SCREW [A]
33	V836659968	1	OIL FILLER CAP
34	V614704850	1	O-RING
35	V836867567	2	LIFTING EYE EXTENSION
36			NOT USED
37			NOT USED
38	V581804630	6	HEX SOCKET SCREW
39	V500950800	6	SPRING WASHER
40	V528801800	4	HEX CAP SCREW
41	V836855350	2	COVER
42	V500150842	4	WASHER
43	V581804602	4	HEX SOCKET SCREW
44	V528801360	1	HEX CAP SCREW
45	V836747849	1	SUPPORT
46	V615881418	1	SEALING WASHER
47	V836640752	2	LIFT EYE
48	V837073227	4	BAND
49	V837070347	1	RUBBER HOSE
50	V602078532	1	HOSE CLIP
51	V837070343	1	SPRING

Item	Part Number	Qty	Description Comments
52	V837073233	1	CYLINDER HEAD FRONT
	V837073234	1	CYLINDER HEAD REAR
100			SEE "CAMSHAFT AND VALVE TRAIN"
101			SEE "ENGINE ELECTRICAL" [A] INCLUDED IN ITEM 26 [B] INCLUDED IN ITEM 52

9350R ROTARY COMBINE
SIS0077A



SIS0077A

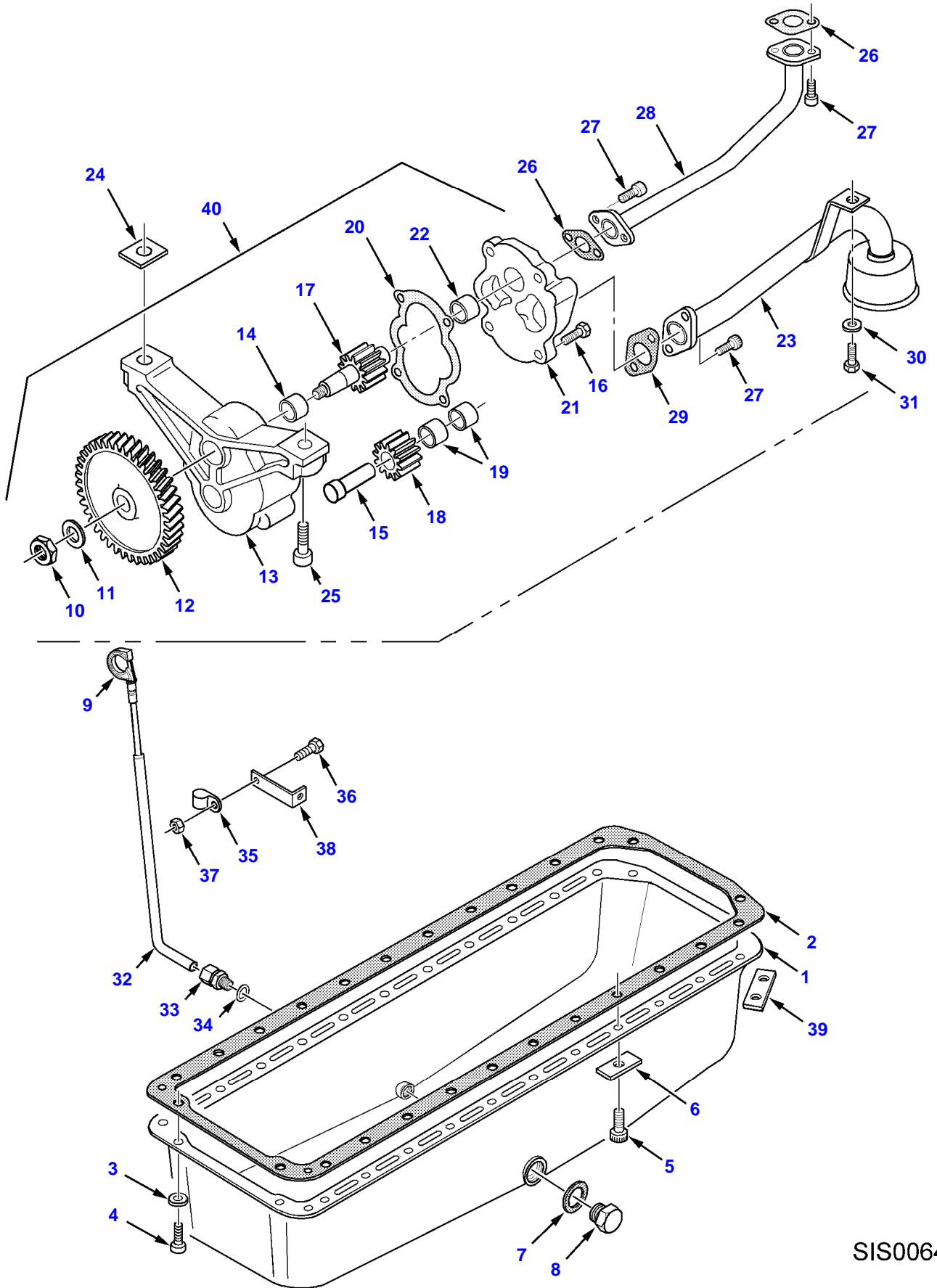
Item	Part Number	Qty	Description Comments
1	V836879682	1	EXHAUST MANIFOLD
2	V513601002	12	NUT
3	V836859188	12	STUD BOLT
4	V836664013	12	SPACER PIECE
5	V529801440	2	HEX CAP SCREW
6	V837070219	1	INTAKE MANIFOLD
7	V529801470	2	HEX CAP SCREW
8	V837069009	2	INTAKE MANIFOLD GASKET [A]
9	V581804702	3	HEX SOCKET SCREW
10	V546801490	1	STUD BOLT
11	V836867642	1	AIR PIPE
12	V837067345	2	GASKET [A]
13	V837067295	1	INTAKE AIR PREHEATER
14	V837070228	1	BRACKET
15	V529801490	1	HEX CAP SCREW
16	V510600602	2	NUT
17	V528801082	3	HEX CAP SCREW
18	V528801402	4	HEX CAP SCREW
19	V529801550	1	HEX CAP SCREW
20	V529801530	2	HEX CAP SCREW
21	V504800800	1	NUT
22	V528801410	8	HEX CAP SCREW
23	V837070328	1	SUPPORT
24	V836119384	2	SPACER PIECE
25	V837070284	1	BRACKET
26	V836138015	1	SPACER PIECE
27	V529801830	1	HEX CAP SCREW
28	V510601002	1	NUT
29	V528801382	1	HEX CAP SCREW
30	V529801500	1	HEX CAP SCREW
31	V836015967	1	SEALING WASHER
32	V598355365	1	PIN
33	V836747849	1	SUPPORT
34	V528801422	1	HEX CAP SCREW
35	V500050642	2	WASHER
36	V581804182	3	HEX SOCKET SCREW
37	V837073199	1	SUPPORT
100			

SEE "ENGINE ELECTRICAL"

[A] SEE "ENGINE OVERHAUL KITS"

Item	Part Number	Qty	Description Comments	Technical Specification
1	V837070171	1	TURBOCHARGER	
2	V836840992	1	GASKET [A][B]	
3	V837084638	1	GASKET [A][B]	
4	V615881420	1	SEALING WASHER	
5	V836867559	1	TURBOCHARGER LUBRICATION OIL PIPE	
6	V546801800	4	STUD BOLT	
7	V836855714	1	BANJO BOLT	
8	V641086012	1	STRAIGHT FITTING	
9	V615881620	2	SEALING WASHER	
10	V836873003	1	TURBOCHARGER LUBRICATION OIL PIPE	
11	V521601000	4	NUT	
12	V528801382	2	HEX CAP SCREW	
13	V529801112	1	HEX CAP SCREW	
14	V835324324	1	PIPE CLAMP HALF	
15	V836867533	1	AIR PIPE	
16	V614605930	1	O-RING	
17	V836840930	1	V CLAMP	
18	V886325175	1	GASKET [A]	
19	V837084638	1	GASKET [A]	
20	V504800800	2	NUT	
21	V504600602	1	NUT	
22	V836873001	1	RUBBER HOSE	
23	VGP3927	2	HOSE CLIP	?24 MM SMS2298
24	V836873004	1	TURBOCHARGER LUBRICATION OIL PIPE [A] SEE "ENGINE OVERHAUL KITS" [B] INCLUDED IN ITEM 1	

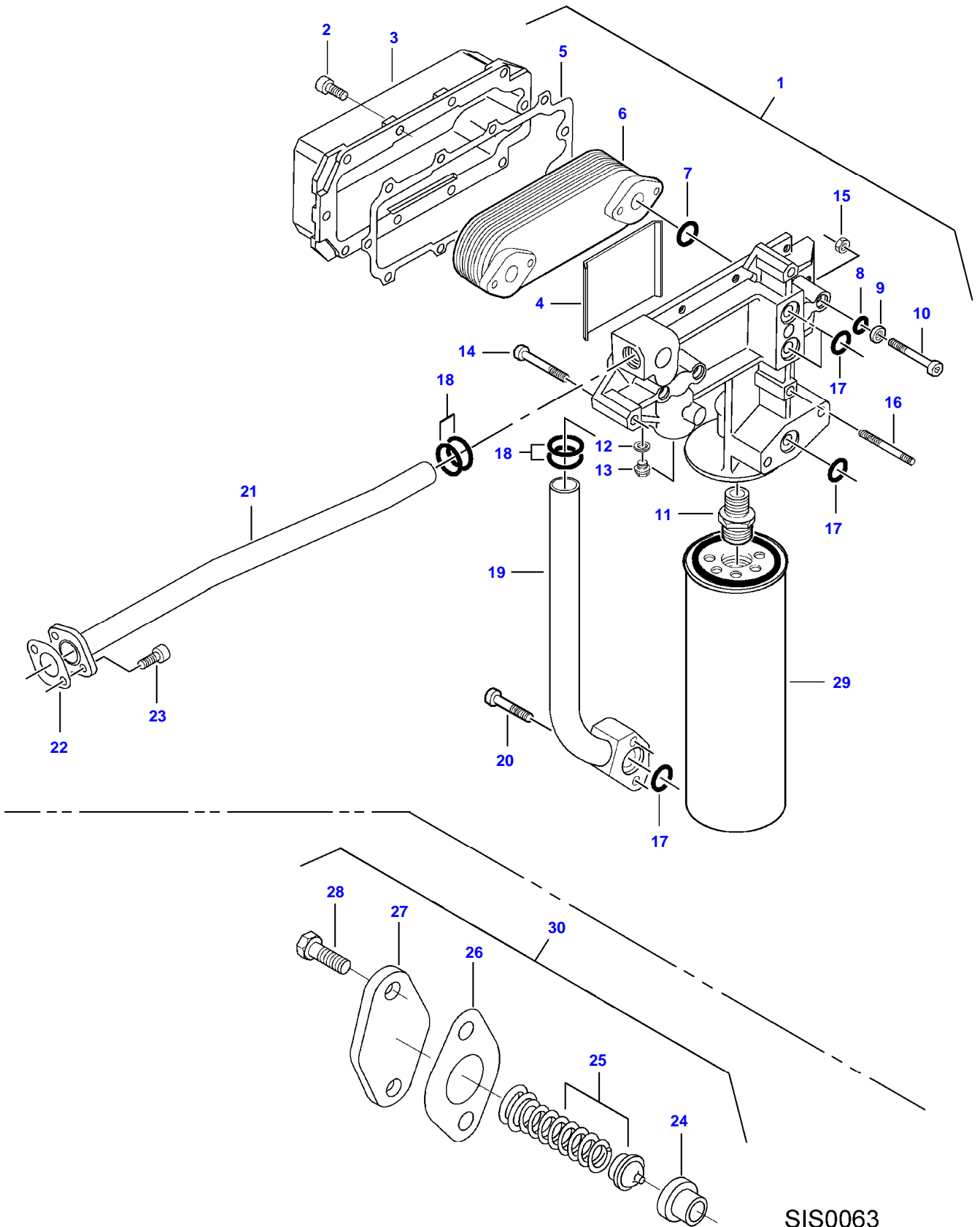
9350R ROTARY COMBINE
SIS0064



SIS0064

Item	Part Number	Qty	Description Comments
1	V836347308	1	OIL SUMP
2	V836322538	1	GASKET [A]
3	V500950800	4	SPRING WASHER
4	V581804602	4	HEX SOCKET SCREW
5	V581805000	24	HEX SOCKET SCREW
6	V836859560	20	WASHER
7	V615882227	1	SEALING WASHER [A]
8	V640045022	1	PLUG
9	V836866909	1	DIPSTICK
10	V504861000	1	NUT [C]
11	V836122910	1	WASHER [C]
12	V836338667	1	GEAR [C]
13	V836338186	1	FRAME [C]
14	V836322909	1	BUSHING [B][C]
15	V836322906	1	OIL PUMP SHAFT [B][C]
16	V528801382	4	HEX CAP SCREW [C]
17	V836338182	1	OIL PUMP SHAFT [C]
18	V836338180	1	GEAR,OIL PUMP INCLUDES BUSHING [C]
19	V836322909	2	BUSHING [C]
20	V836338188	1	GASKET [A][C]
21	V836855297	1	COVER INCLUDES BUSHING [C]
22	V836322909	1	BUSHING [C]
23	V836855674	1	OIL PUMP SUCTION PIPE
24	V836007871	-	SHIM
25	V581805050	2	HEX SOCKET SCREW
26	V836008449	2	GASKET [A]
27	V581804602	6	HEX SOCKET SCREW
28	V836855673	1	OIL PIPE
29	V836338201	1	GASKET [A]
30	V500150842	1	WASHER
31	V528801362	1	HEX CAP SCREW
32	V836855921	1	OIL DIPSTICK GUIDE PIPE
33	V641086012	1	STRAIGHT FITTING
34	V615881622	1	SEALING WASHER [A]
35	V602060612	1	RETAINER CLAMP
36	V528801382	1	HEX CAP SCREW
37	V504800800	1	NUT
38	V836652081	1	SUPPORT
39	V836859561	2	WASHER
40	V836855300	1	LUBRICATING OIL PUMP [A] SEE "ENGINE OVERHAUL KITS" [B] INCLUDED IN ITEM 13 [C] INCLUDED IN ITEM 40

9350R ROTARY COMBINE
SIS0063



SIS0063

Item	Part Number	Qty	Description Comments
1	V836855522	1	OIL COOLER
2	V581804620	10	HEX SOCKET SCREW [A]
3	V836855519	1	HOUSING [A]
4	V836855521	1	GUIDE [A]
5	V836855520	1	GASKET [A][C]
6	V836855484	1	TUBING [A]
7	V614602030	2	O-RING [A]
8	V614600724	4	O-RING [A]
9	V836855517	4	WASHER [A]
10	V581804690	4	HEX SOCKET SCREW [A]
11	V836338512	1	UNION [A]
12	V615881216	1	SEALING WASHER [A]
13	V640305012	1	PLUG [A]
14	V581804690	4	HEX SOCKET SCREW
15	V504800800	1	NUT
16	V546801490	1	STUD BOLT
17	V614602030	4	O-RING
18	V614602430	4	O-RING
19	V836855523	1	OIL PIPE
20	V581804650	2	HEX SOCKET SCREW
21	V836855639	1	WATER PIPE
22	V836322190	1	GASKET
23	V581804602	2	HEX SOCKET SCREW
24	V836659521	1	VALVE SEAT [B]
25	V836667650	1	SPRING ASSEMBLY [B]
26	V836322190	1	GASKET [B]
27	V836659524	1	COVER [B]
28	V528801382	2	HEX CAP SCREW [B]
29	V837074523	1	ENGINE OIL FILTER
30	V836662130	1	OIL PRESSURE CONTROL VALVE

[A] INCLUDED IN ITEM 1

[B] INCLUDED IN ITEM 30

[C] SEE "ENGINE OVERHAUL KITS"

Item	Part Number	Qty	Description Comments
1	V836362228	1	FILTER [B]
2	V836362229	1	FILTER SEAL [A]
3	V836664226	1	O-RING [B]
4	V500951000	4	SPRING WASHER
5	V528801810	4	HEX CAP SCREW
6	V614903430	4	O-RING
7	V641830008	1	STRAIGHT FITTING
8	V837067970	1	SPACER
9	V528803042	2	HEX CAP SCREW
10	V615871016	1	SEALING WASHER
11	V836120022	1	UNION
12	V837067968	1	PIPE
13	V837067969	1	ADAPTER BLOCK
14	V581804630	4	HEX SOCKET SCREW
15	V640325039	1	PLUG
16	V615893946	1	SEALING WASHER
17	V837067967	1	PIPE
18	V641016008	1	STRAIGHT FITTING
19	V528802602	1	HEX CAP SCREW
20	V837070381	1	SUPPORT
21	V528801382	1	HEX CAP SCREW
22	V602060610	1	RETAINER CLAMP
23	V504800802	1	NUT
24	V836866958	1	GASKET
25	V836873282	1	OIL PIPE
26	V581705030	4	HEX SOCKET SCREW
27	V641166008	1	ELBOW FITTING
28	V836673155	1	UNION
29	V836359603	1	CENTRIFUGAL OIL FILTER [C]

[A] INCLUDED IN ITEM 1
[B] INCLUDED IN ITEM 29
[C] NOT ILLUSTRATED



Suggest:

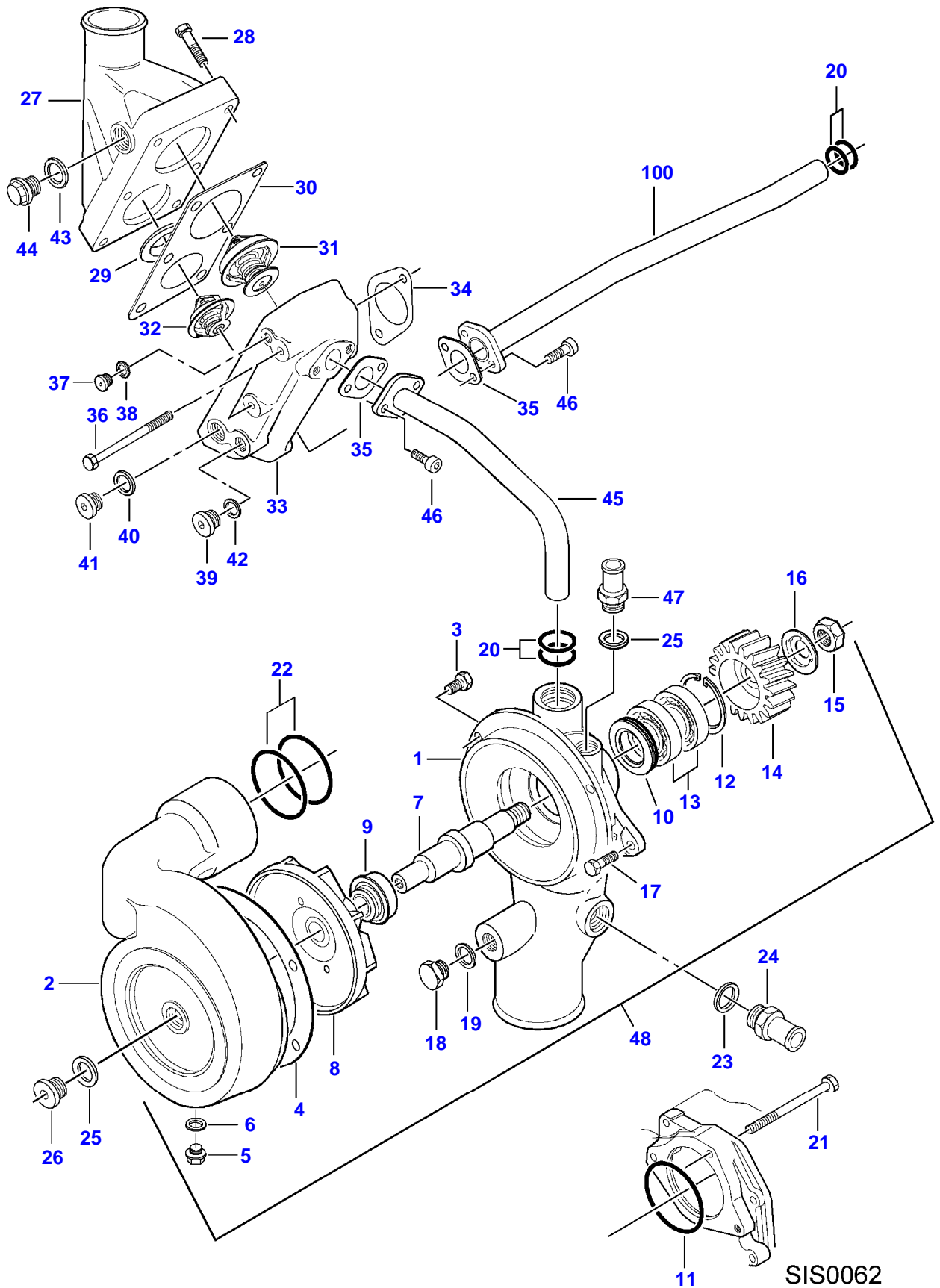
For more complete manuals. Please go to the home page.

<https://www.ebooklibonline.com>

If the above button click is invalid. Please download this document first, and then click the above link to download the complete manual.

Thank you so much for reading

9350R ROTARY COMBINE
SIS0062



Item	Part Number	Qty	Description Comments
1	V837069076	1	HOUSING [B]
2	V837069077	1	HOUSING [B]
3	V528801362	4	HEX CAP SCREW [B]
4	V836855625	1	GASKET [B][C]
5	V640305012	1	PLUG [B]
6	V615881216	1	SEALING WASHER [B][C]
7	V837069078	1	WATER PUMP SHAFT [B][C]
8	V836866735	1	WATER PUMP IMPELLER [B][C]
9	V836859452	1	WATER PUMP CARTRIDGE GASKET [B][C]
10	V614703042	1	SHAFT SEAL [B][C]
11	V614607930	1	O-RING [B][C]
12	V617330047	1	LOCK RING [B][C]
13	V610072040	2	BALL BEARING [B][C]
14	V837070074	1	WATERPUMP GEAR WHEEL [B]
15	V504601600	1	NUT [B][C]
16	V837070184	1	RING [B]
17	V528801382	1	HEX CAP SCREW
18	V836119079	1	PLUG
19	V615881620	1	SEALING WASHER [C]
20	V614602430	4	O-RING [C]
21	V529801520	2	HEX CAP SCREW
22	V614604958	2	O-RING [C]
23	V615882227	1	SEALING WASHER [A]
24	V836667029	1	HOSE COUPLER
25	V615881822	2	SEALING WASHER [A]
26	V640325018	1	PLUG
27	V836855602	1	WATER PIPE
28	V529801430	6	HEX CAP SCREW
29	V836336425	1	INTERMEDIATE PLATE
30	V836855603	1	GASKET [A]
31	V836331590	1	THERMOSTAT
32	V836015156	1	THERMOSTAT
33	V836855601	1	THERM. HOUSING
34	V837084792	1	GASKET [A]
35	V836322190	2	GASKET [A]
36	V529801550	2	HEX CAP SCREW
37	V640325110	1	PLUG
38	V615871014	1	SEALING WASHER [A]
39	V640325014	1	PLUG
40	V615881822	1	SEALING WASHER [A]

<https://www.ebooklibonline.com>

Hello dear friend!

Thank you very much for reading.

Enter the link into your browser.

The full manual is available for immediate download.

<https://www.ebooklibonline.com>