

TABLE OF CONTENT

Page00-TOC

Page Number	Page Title	Page Reference
01-000-TOC	ENGINE V835277029 84 AWF	01-000-TOC
02-000-TOC	ENGINE V835277726 84 AWF-HLA	02-000-TOC
03-000-TOC	ENGINE INSTALLATION	03-000-TOC
04-000-TOC	DRIVE SYSTEM	04-000-TOC
05-000-TOC	AXLES	05-000-TOC
06-000-TOC	STEERING SYSTEM	06-000-TOC
07-000-TOC	DRIVE TRAIN SYSTEM	07-000-TOC
08-000-TOC	BRAKE SYSTEM	08-000-TOC
09-000-TOC	HYDRAULIC SYSTEM	09-000-TOC
10-000-TOC	ELECTRICAL SYSTEM	10-000-TOC
11-000-TOC	CAB	11-000-TOC
12-000-TOC	AIR CONDITIONING AND HEATING SYSTEM	12-000-TOC
13-000-TOC	CHASSIS	13-000-TOC
14-000-TOC	DECALS	14-000-TOC
15-000-TOC	WHEELS	15-000-TOC
16-000-TOC	FEEDING SYSTEM	16-000-TOC
17-000-TOC	THRESHING SYSTEM	17-000-TOC
18-000-TOC	CLEANING SYSTEM	18-000-TOC
19-000-TOC	GRAIN BIN AND ELEVATOR SYSTEM	19-000-TOC
20-000-TOC	DISCHARGE SYSTEM	20-000-TOC
21-000-TOC	PRECISION FARMING SYSTEMS	21-000-TOC
22-000-TOC	ACCESSORIES	22-000-TOC

ENGINE V835277029 84 AWF

Page01-000-TOC

Page Number	Page Title	Page Reference
01-0001	ENGINE ASSEMBLIES	1MDL1871569
01-0002	CYLINDER BLOCK - UP TO ENGINE SERIAL NUMBER C52250	1MDL1871631
01-0003	CYLINDER BLOCK - STARTING FROM ENGINE SERIAL NUMBER C52251	1MDL1950029
01-0004	TIMING GEARS AND HOUSING	1MDL1950031
01-0005	FLYWHEEL AND HOUSING	1MDL1950032
01-0006	CRANKSHAFT AND PISTONS	1MDL1950033
01-0007	CAMSHAFT AND VALVE MECHANISM	1MDL1950034
01-0008	CYLINDER HEAD	1MDL1950035
01-0009	VALVE ROCKER COVER	1MDL1950038
01-0010	INTAKE MANIFOLD	1MDL1950040
01-0011	EXHAUST MANIFOLD	1MDL1950193
01-0012	HIGH PRESSURE TURBOCHARGER	1MDL1950216
01-0013	LOW PRESSURE TURBOCHARGER AND ICAC	1MDL1950224
01-0014	EXHAUST GAS RECIRCULATION (EGR) - UP TO ENGINE SERIAL NUMBER A74702	1MDL1950243
01-0015	EXHAUST GAS RECIRCULATION (EGR) - STARTING FROM ENGINE SERIAL NUMBER A74703	1MDL1950244
01-0016	OIL PUMP AND SUMP	1MDL1950334
01-0017	OIL COOLER AND FILTER - UP TO ENGINE SERIAL NUMBER C52250	1MDL1950407
01-0018	OIL COOLER AND FILTER - STARTING FROM ENGINE SERIAL NUMBER C52251	1MDL1950411
01-0019	CLOSED CRANKCASE VENTILATION (CCV)	1MDL1950412
01-0020	COOLANT PIPING	1MDL1950427
01-0021	COOLANT PUMP AND THERMOSTAT	1MDL1950428
01-0022	FUEL INJECTION SYSTEM	1MDL1950429
01-0023	FUEL FILTERS - UP TO ENGINE SERIAL NUMBER A77999	1MDL1950430
01-0024	FUEL FILTERS - STARTING FROM ENGINE SERIAL NUMBER B50000/JLD291001	1MDL1950431
01-0025	ELECTRONIC ENGINE MANAGEMENT	1MDL1950432
01-0026	ALTERNATOR	1MDL1950433
01-0027	STARTER MOTOR	1MDL1950434
01-0028	FAN DRIVE	1MDL1950435
01-0029	EXHAUST AFTERTREATMENT	1MDL1950436
01-0030	ENGINE OVERHAUL PARTS	1MDL1950437
01-0031	SPECIAL OVERHAUL PARTS	1MDL1871801

<https://www.ebooklibonline.com>

Hello dear friend!

Thank you very much for reading.

Enter the link into your browser.

The full manual is available for immediate download.

<https://www.ebooklibonline.com>

Fendt

8380P (ZN205820X03010018-999 / 5824X03010008-999 AL) / 8410P (ZN205830X03010033-999 / 5834X03010019-999 AL) COMBINE

6246464

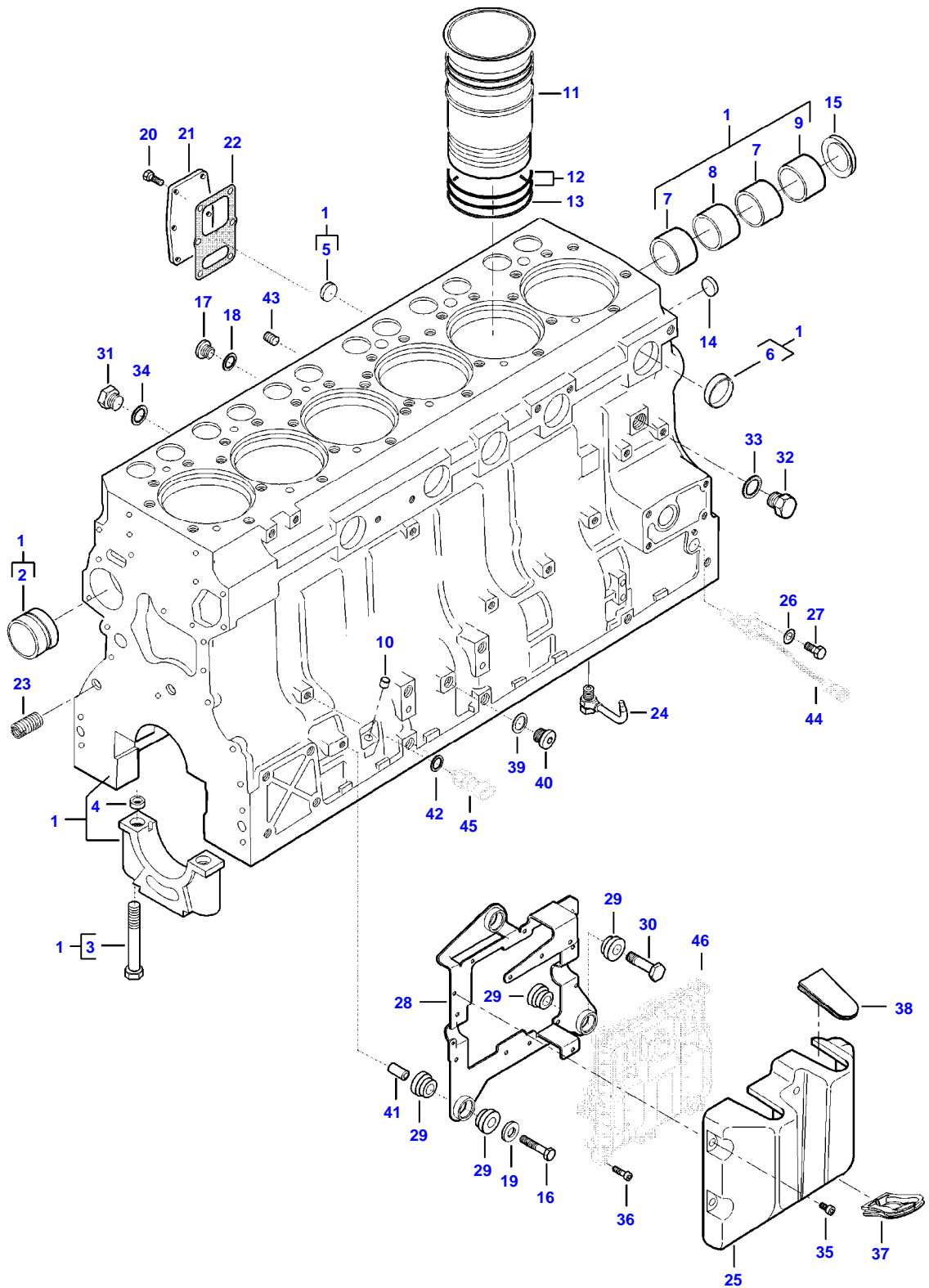
ENGINE ASSEMBLIES

Page01-0001

Item	Part Number	Qty	Description Comments	Technical Specification
1	V835277029	1	ENGINE 276/2100 (KW/RPM)	84 AWF
2	V865277029V	1	LONG BLOCK ENGINE	84 AWF
3	V865277029X	1	SHORT BLOCK ENGINE	84 AWF
4	V837079921	1	LABEL ENGINE TYPE PLATE	

8380P (ZN205820X03010018-999 / 5824X03010008-999 AL) / 8410P
(ZN205830X03010033-999 / 5834X03010019-999 AL) COMBINE
AP1F1388

AP1F1388



Item	Part Number	Qty	Description Comments	Technical Specification
1	V837086217	1	CYLINDER BLOCK	84 AWF
2	V836866069	1	CAMSHAFT BEARING BUSH (1)	
3	V835329030	14	HEX CAP SCREW (1)	
4	V836214478	24	GUIDE SLEEVE (1)	
5	V640016020	1	CUP PLUG (1)	
6	V640016040	3	CUP PLUG (1)	
7	V836852460	2	CAMSHAFT BEARING BUSH (1)	
8	V836852459	1	CAMSHAFT BEARING BUSH (1)	
9	V836852461	1	CAMSHAFT BEARING BUSH (1)	
10	V640016012	1	CUP PLUG	
11	V836867048	6	LINER	
12	V836855446	12	CYLINDER LINER O-RING [B]	
13	V836855447	6	CYLINDER LINER O-RING [B]	
14	V640016016	2	CUP PLUG [B]	
15	V836852744	1	PLUG	
16	V529801430	2	HEX CAP SCREW	
17	V640325110	5	SCREW PLUG	
18	V615871014	5	SEALING WASHER [B]	
19	V500750842	2	WASHER	
20	V528801382	6	HEX CAP SCREW	
21	V836846444	1	COVER	
22	V836322852	1	GASKET [B]	
23	V836859153	1	THREADED BUSH	
24	V837084973	6	PISTON COOLING JET	
25	V837084080	1	COVER	
26	V500050842	1	WASHER	
27	V528801362	1	HEX CAP SCREW	
28	V837084081	1	ECU BRACKET	
29	V837084129	6	DAMPER	
30	V837069056	1	HEX CAP SCREW	
31	V836119079	1	PLUG	
32	V836019756	1	PLUG	
33	V615881824	1	SEALING WASHER [B]	
34	V615881620	1	SEALING WASHER [B]	
35	V581804182	6	HEX SOCKET SCREW	
36	V581804222	8	HEX SOCKET SCREW	
37	V837084661	1	SHIELD	
38	V837084136	2	SHIELD	
39	V615881420	1	SEALING WASHER [B]	
40	V640325014	1	PLUG	
41	V836855626	2	SPACER	
42	V615871016	1	SEALING WASHER [B]	
43	V560204550	1	HEX SOCKET SCREW	
44		1	SEE PAGE 01-0025	
45		1	SEE PAGE 01-0025	

Fendt

8380P (ZN205820X03010018-999 / 5824X03010008-999 AL) / 8410P (ZN205830X03010033-999 / 5834X03010019-999 AL) COMBINE 6246464

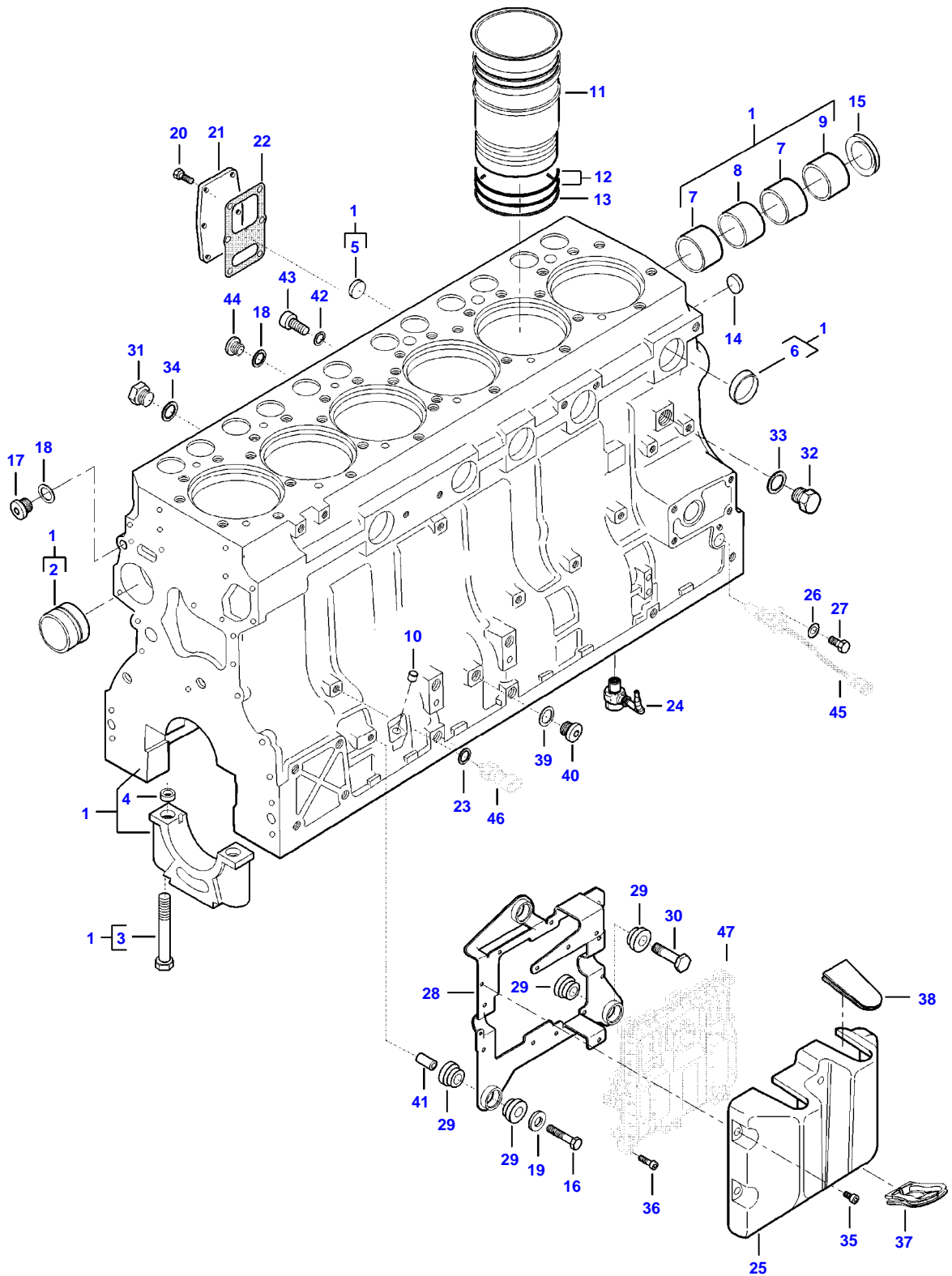
CYLINDER BLOCK - UP TO ENGINE SERIAL NUMBER C52250

Page01-0002

Item	Part Number	Qty	Description Comments	Technical Specification
46		1	SEE PAGE 01-0025 [B] INCLUDED IN COMPLETE ENGINE GASKET KIT 2	

8380P (ZN205820X03010018-999 / 5824X03010008-999 AL) / 8410P
(ZN205830X03010033-999 / 5834X03010019-999 AL) COMBINE
AP1F1965

AP1F1965



Item	Part Number	Qty	Description Comments	Technical Specification
1	V837084526	1	CYLINDER BLOCK	84 AWF-HLA
2	V836866069	1	CAMSHAFT BEARING BUSH (1)	
3	V835329030	14	HEX CAP SCREW (1)	
4	V836214478	24	GUIDE SLEEVE (1)	
5	V640016018	1	CUP PLUG (1)	
6	V640016040	4	CUP PLUG (1)	
7	V836852460	2	CAMSHAFT BEARING BUSH (1)	
8	V837086315	1	CAMSHAFT BEARING BUSH (1)	
9	V836852461	1	CAMSHAFT BEARING BUSH (1)	
10	V640016012	1	CUP PLUG	
11	V836867048	6	LINER	
12	V836855446	12	CYLINDER LINER O-RING [B]	
13	V836855447	6	CYLINDER LINER O-RING [B]	
14	V640016016	2	CUP PLUG [B]	
15	V836852744	1	PLUG	
16	V529801430	2	HEX CAP SCREW	
17	V640325110	9	SCREW PLUG	
18	V615871014	21	SEALING WASHER [B]	
19	V500750842	2	WASHER	
20	V528801382	6	HEX CAP SCREW	
21	V836846444	1	COVER	
22	V836322852	1	GASKET [B]	
23	V615871016	1	SEALING WASHER [B]	
24	V837084973	6	PISTON COOLING JET	
25	V837084080	1	COVER	
26	V500050842	1	WASHER	
27	V528801362	1	HEX CAP SCREW	
28	V837084081	1	ECU BRACKET	
29	V837084129	6	DAMPER	
30	V837069056	1	HEX CAP SCREW	
31	V836119079	1	PLUG	
32	V836019756	1	PLUG	
33	V615881824	1	SEALING WASHER [B]	
34	V615881620	1	SEALING WASHER [B]	
35	V581804182	6	HEX SOCKET SCREW	
36	V581804222	8	HEX SOCKET SCREW	
37	V837084661	1	SHIELD	
38	V837084136	2	SHIELD	
39	V615881420	1	SEALING WASHER [B]	
40	V640325014	1	PLUG	
41	V836855626	2	SPACER	
42	V836684767	1	SEALING WASHER [B]	
43	V581804570	1	HEX SOCKET SCREW	
44	V837086205	12	SCREW PLUG	
45		1		

SEE PAGE 01-0025

Fendt

8380P (ZN205820X03010018-999 / 5824X03010008-999 AL) / 8410P (ZN205830X03010033-999 / 5834X03010019-999 AL) COMBINE

6246464

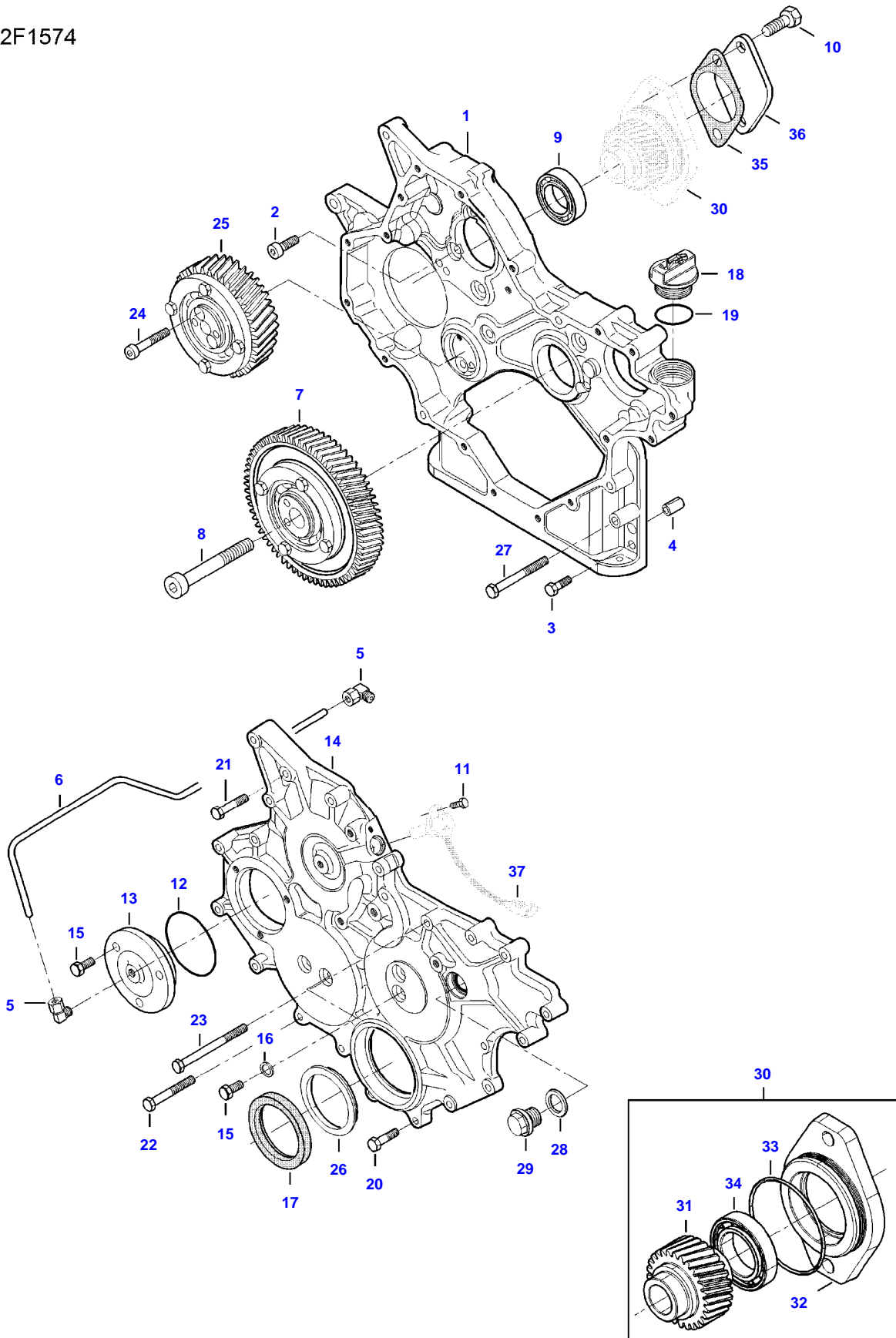
CYLINDER BLOCK - STARTING FROM ENGINE SERIAL NUMBER C52251

Page01-0003

Item	Part Number	Qty	Description Comments	Technical Specification
46		1	SEE PAGE 01-0025	
47		1	SEE PAGE 01-0025 [B] INCLUDED IN COMPLETE ENGINE GASKET KIT 2	

8380P (ZN205820X03010018-999 / 5824X03010008-999 AL) / 8410P
(ZN205830X03010033-999 / 5834X03010019-999 AL) COMBINE
AP2F1574

AP2F1574



TIMING GEARS AND HOUSING

Item	Part Number	Qty	Description Comments
1	V837074712	1	TIMING GEAR CASE
2	V581804602	10	HEX SOCKET SCREW
3	V528801402	3	HEX CAP SCREW
4	V598359850	2	PIN
5	V641166006	2	ELBOW FITTING
6	V836867775	1	OIL PIPE
7	V837073583	1	IDLER GEAR
8	V581705910	1	HEX SOCKET SCREW
9	V610060096	1	BALL BEARING
10	V528802602	2	HEX CAP SCREW
11	V528801062	1	HEX CAP SCREW
12	V614606825	1	O-RING [B]
13	V837070179	1	COVER
14	V837074714	1	GEAR HOUSING FRONT COVER
15	V528801382	7	HEX CAP SCREW
16	V615870814	4	SEALING WASHER [B]
17	V836840883	1	CRANKSHAFT SEAL [B]
18	V837081106	1	OIL FILLER CAP
19	V614603540	1	O-RING [B]
20	V528801410	5	HEX CAP SCREW
21	V529801440	12	HEX CAP SCREW
22	V529801510	2	HEX CAP SCREW
23	V529801540	1	HEX CAP SCREW
24	V580704670	2	HEX SOCKET SCREW
25	V837073256	1	IDLER GEAR
26	V836855636	1	SHIELD
27	V529801470	1	HEX CAP SCREW
28	V615882227	1	SEALING WASHER [B]
29	V640045022	1	PLUG
30	V837070137	1	DRIVE
31	V837070005	1	HYDRAULIC PUMP GEAR WHEEL (30)
32	V836855651	1	FLANGE (30)
33	V614609430	1	O-RING (30) [B]
34	V610060096	1	BALL BEARING (30)
35	V836864459	1	GASKET [B]
36	V836864458	1	COVER
37		1	

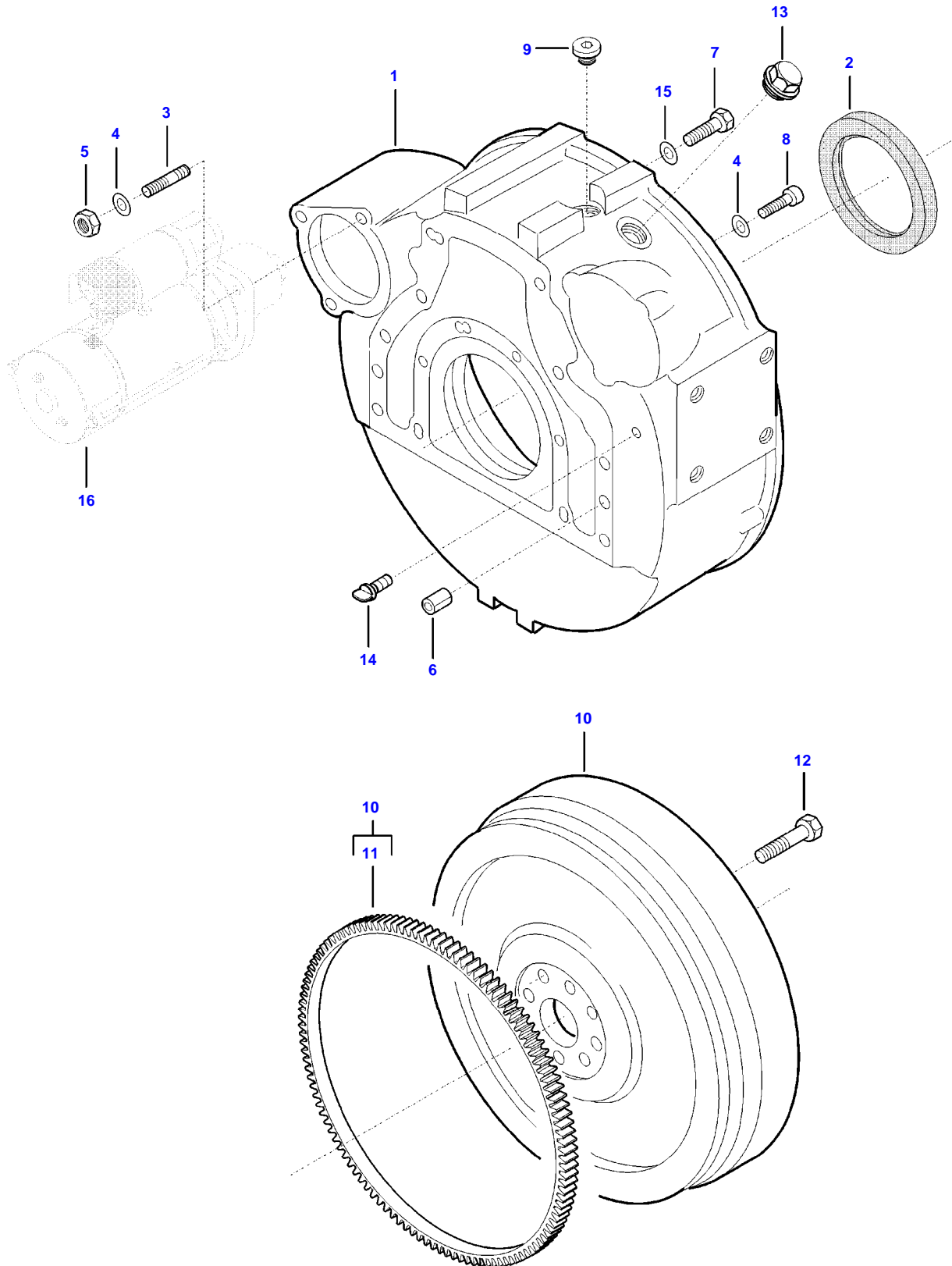
SEE PAGE 01-0025

SEE PAGE 02-0021

[B] INCLUDED IN COMPLETE ENGINE GASKET KIT 2

8380P (ZN205820X03010018-999 / 5824X03010008-999 AL) / 8410P
(ZN205830X03010033-999 / 5834X03010019-999 AL) COMBINE
AP3F1914

AP3F1914



Fendt

8380P (ZN205820X03010018-999 / 5824X03010008-999 AL) / 8410P (ZN205830X03010033-999 / 5834X03010019-999 AL) COMBINE

6246464

FLYWHEEL AND HOUSING

Page01-0005

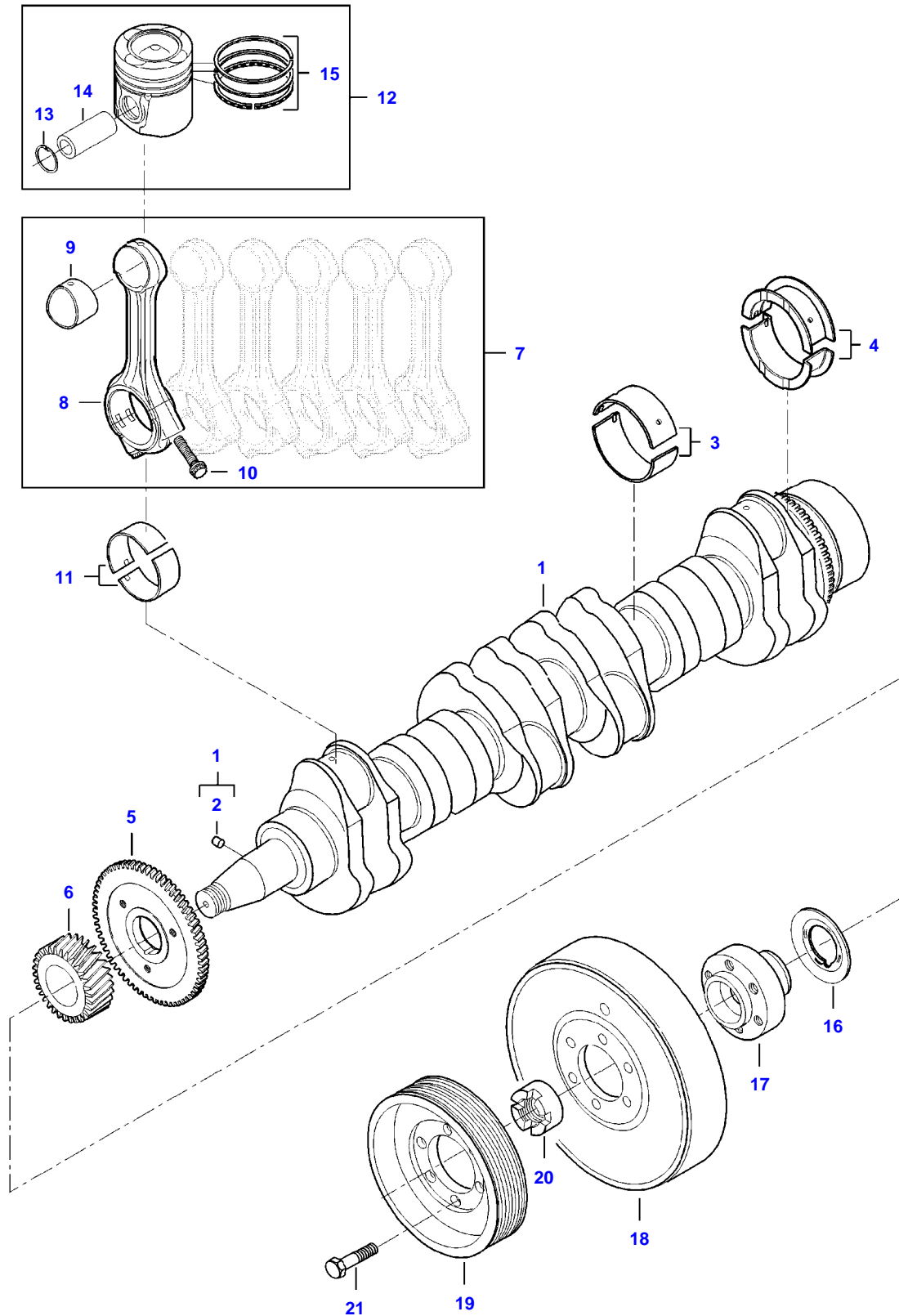
Item	Part Number	Qty	Description Comments
1	V836652468	1	FLYWHEEL HOUSING
2	V837091173	1	CRANKSHAFT SEAL [B]
3	V546801800	3	STUD BOLT
4	V500951000	6	SPRING WASHER
5	V504601000	3	NUT
6	V598359850	2	PIN
7	V528702220	8	HEX CAP SCREW
8	V581705030	6	HEX SOCKET SCREW
9	V640325018	1	PLUG
10	V836859485	1	FLYWHEEL
11	V836117943	1	STARTER RING (10)
12	V529702630	8	HEX CAP SCREW
13	V640045126	1	PLUG
14	V836859311	1	PLUG
15	V500951200	8	SPRING WASHER
16		1	

SEE PAGE 01-0027

[B] INCLUDED IN COMPLETE ENGINE GASKET KIT 2

8380P (ZN205820X03010018-999 / 5824X03010008-999 AL) / 8410P
(ZN205830X03010033-999 / 5834X03010019-999 AL) COMBINE
AP4F1872

AP4F1872



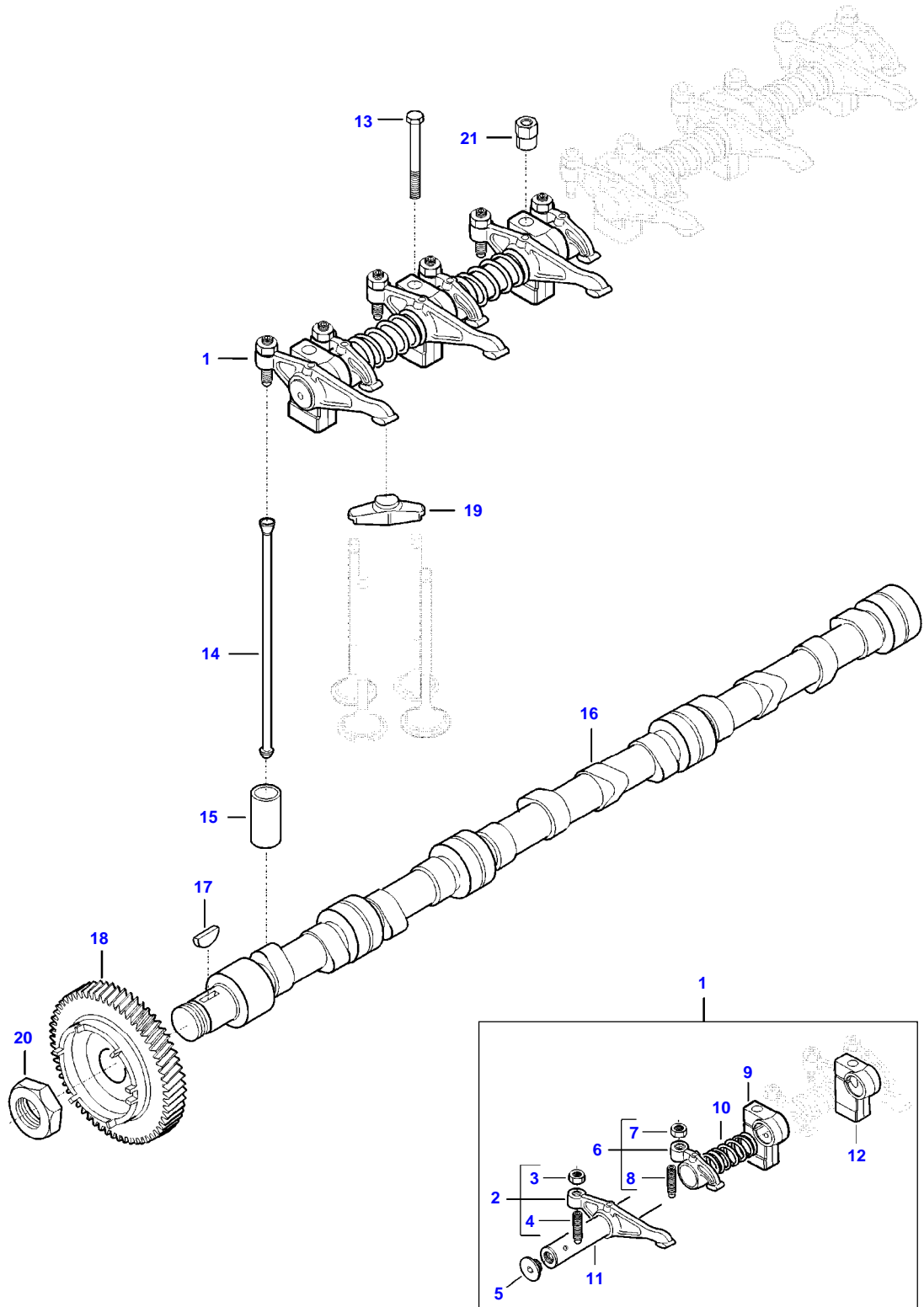
/ 5834X03010019-999 AL) COMBINE

CRANKSHAFT AND PISTONS

Item	Part Number	Qty	Description Comments	Technical Specification
1	V837073996	1	CRANKSHAFT	
2	V836867857	1	KEY (1)	
3	V836840944	6	MAIN BEARING	STD
4	V836879152	1	MAIN BEARING	STD
5	V836874040	1	GEAR,CRANKSHAFT	
6	V837073560	1	GEAR,CRANKSHAFT	
7	V837079475	1	CONNECTING ROD KIT	
8		6	NOT AVAILABLE AS SINGLE PART (7)	
9	V836864288	6	BEARING BUSH (7),(8)	
10	V836873510	12	CONNECTING ROD BOLT (7),(8)	
11	V837062996	6	CONROD BEARING	STD
12	V837086083	6	PISTON	
13		12	NOT AVAILABLE AS SINGLE PART (12)	
14		6	NOT AVAILABLE AS SINGLE PART (12)	
15	V837079459	6	PISTON RING KIT (12)	
16	V836855637	1	RING	
17	V837073679	1	CRANKSHAFT HUB	
18	V836884616	1	CRANKSHAFT VIBRATION DAMPENER	
19	V836855690	1	CRANKSHAFT PULLEY	
20	V836847641	1	CRANKSHAFT NUT	
21	V528702230	6	HEX CAP SCREW	

8380P (ZN205820X03010018-999 / 5824X03010008-999 AL) / 8410P
(ZN205830X03010033-999 / 5834X03010019-999 AL) COMBINE
AP5E1940

AP5E1940



CAMSHAFT AND VALVE MECHANISM

Item	Part Number	Qty	Description Comments	Technical Specification
1	V837069016	2	ROCKER SHAFT ASM	3-CYL 4V
2	V837069011	6	ROCKER ARM (1)	4V INTAKE
3	V512861000	6	NUT (1),(2)	
4	V837069023	6	VALVE ROCKER ADJUSTMENT SCREW (1),(2)	
5	V837069020	4	PLUG (1)	
6	V837069013	6	ROCKER ARM (1)	4V EXHAUST
7	V512861000	6	NUT (1),(6)	
8	V837069023	6	VALVE ROCKER ADJUSTMENT SCREW (1),(6)	
9	V837069018	2	ROCKER SHAFT BRACKET (1)	
10	V837069019	4	SPRING (1)	
11	V837069015	2	SHAFT (1)	
12	V837069017	4	ROCKER SHAFT BRACKET (1)	
13	V529801912	2	HEX CAP SCREW	
14	V837084416	12	PUSH ROD	
15	V836014264	12	TAPPET	
16	V837069101	1	CAMSHAFT	
17	V603305760	1	WOODRUFF KEY	
18	V837073562	1	GEAR,CAMSHAFT	
19	V837073089	12	VALVE BRIDGE	
20	V837069085	1	NUT	
21	V836655406	4	SLEEVE NUT	

CYLINDER HEAD

Item	Part Number	Qty	Description Comments	Technical Specification
1	V837073233	2	CYLINDER HEAD	
2	V837073174	24	VALVE GUIDE (1)	4V STD
3	V837064907	12	VALVE SEAT (1)	4V EXHAUST STD
4	V837064908	12	VALVE SEAT (1)	4V INTAKE STD
5	V837069002	12	EXHAUST VALVE (1)	
6	V837069003	12	INTAKE VALVE (1)	
7	V837064910	48	COTTER (1)	
8	V837069004	24	SPRING PLATE (1)	
9	V837069005	24	VALVE SPRING (1)	
10	V837073165	24	VALVE STEM GASKET (1) [A]	
11	V836647942	8	CUP PLUG (1)	
12	V546901900	4	STUD BOLT (1)	
13	V837084523	2	CYLINDER HEAD GASKET [A]	
14	V836867753	2	GASKET [A]	
15	V836119643	1	THREADED NIPPLE	
16	V615881822	2	SEALING WASHER [A]	
17	V836640752	2	LIFT EYE	
18	V837086340	1	WIRE HARNESS SUPPORT	
19	V615881418	1	SEALING WASHER [A]	
20	V837069025	27	CYLINDER HEAD BOLT	
21	V837073571	7	CYLINDER HEAD BOLT	
22	V836867567	2	LIFTING EYE EXTENSION	
23	V640016045	1	CUP PLUG	
24	V528801820	4	HEX CAP SCREW	
25	V836855348	1	CONNECTION FLANGE	
26	V836867752	1	GASKET [A]	
27	V528801800	4	HEX CAP SCREW	
28	V836855350	2	BLOCK OFF PLATE	
29	V640325018	1	PLUG	
30		1		

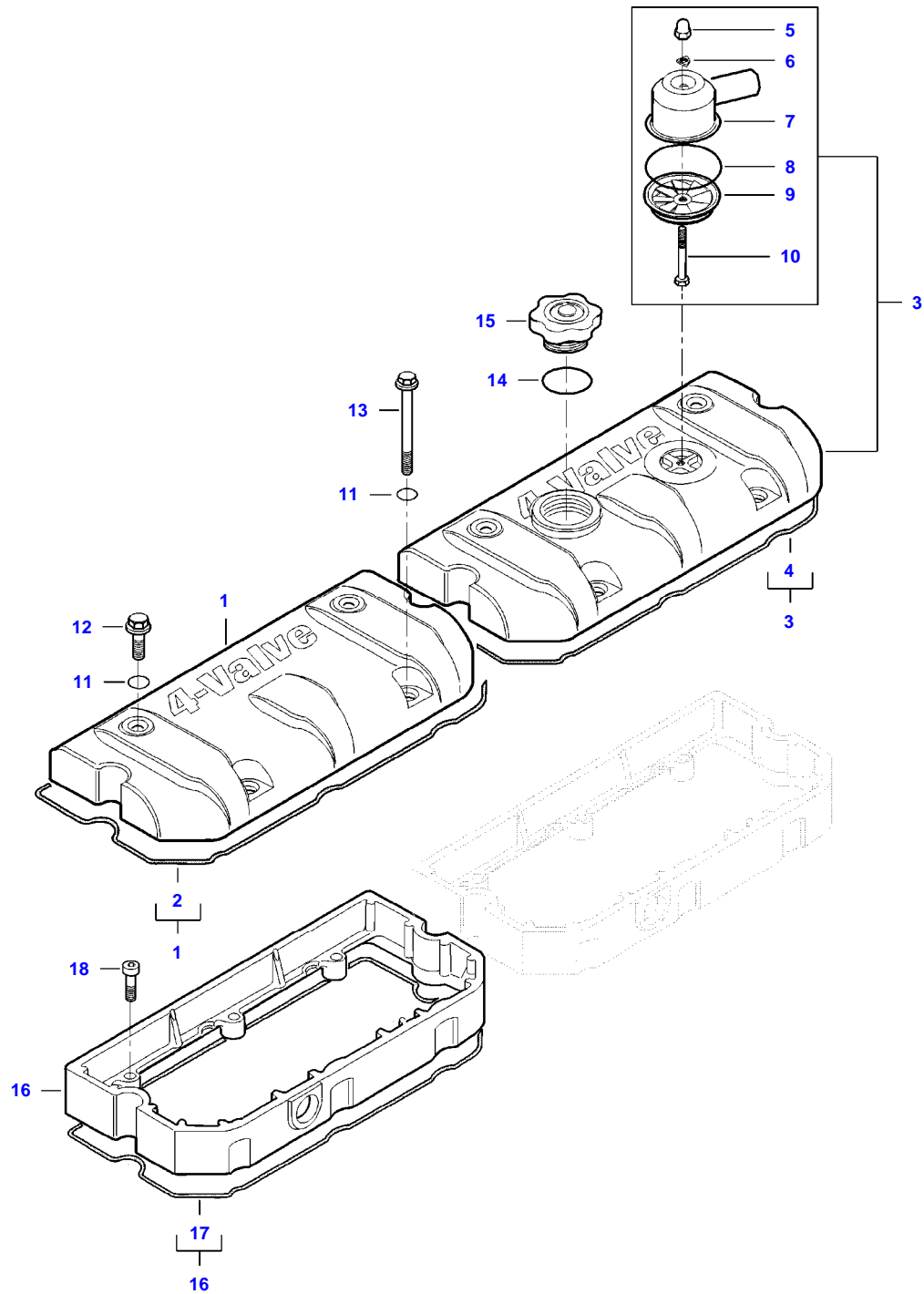
SEE PAGE 01-0025

SEE PAGE 02-0021

[A] INCLUDED IN CYLINDER HEAD GASKET KIT 1

8380P (ZN205820X03010018-999 / 5824X03010008-999 AL) / 8410P
(ZN205830X03010033-999 / 5834X03010019-999 AL) COMBINE
AP35F1884

AP35F1884

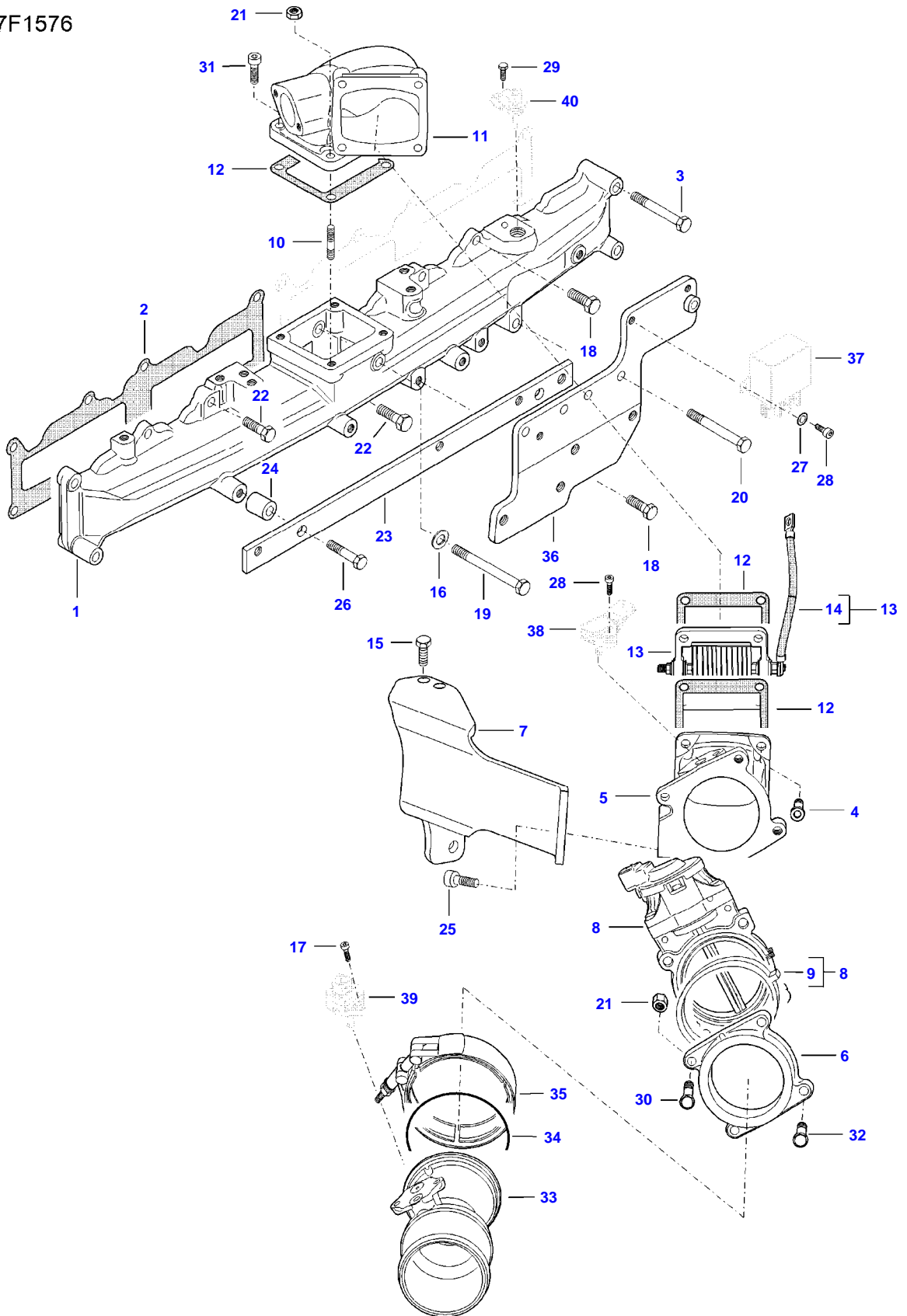


VALVE ROCKER COVER

Item	Part Number	Qty	Description Comments
1	V837084117	1	VALVE ROCKER COVER
2	V837067881	1	VALVE ROCKER COVER GASKET (1) [A][C]
3	V837086136	1	VALVE ROCKER COVER
4	V837067881	1	VALVE ROCKER COVER GASKET (3) [A][C]
5	V519600602	1	NUT (3)
6	V836684766	1	SEALING WASHER (3)
7	V837070442	1	BREATHER CAP (3)
8	V614605930	1	O-RING (3)
9	V837070443	1	BREATHER (3)
10	V528801172	1	HEX CAP SCREW (3)
11	V614901030	8	O-RING [A][C]
12	V540801780	4	HEXAGON FLANGE BOLT
13	V540801910	4	HEXAGON FLANGE BOLT
14	V614704850	1	O-RING [A]
15	V836659968	1	OIL FILLER CAP
16	V837084220	2	VALVE ROCKER COVER FRAME
17	V837067881	2	VALVE ROCKER COVER GASKET (16) [A]
18	V581804630	6	HEX SOCKET SCREW [A] INCLUDED IN CYLINDER HEAD GASKET KIT 1 [C] INCLUDED IN VALVE ADJUSTING GASKET KIT 3

8380P (ZN205820X03010018-999 / 5824X03010008-999 AL) / 8410P
(ZN205830X03010033-999 / 5834X03010019-999 AL) COMBINE
AP7F1576

AP7F1576



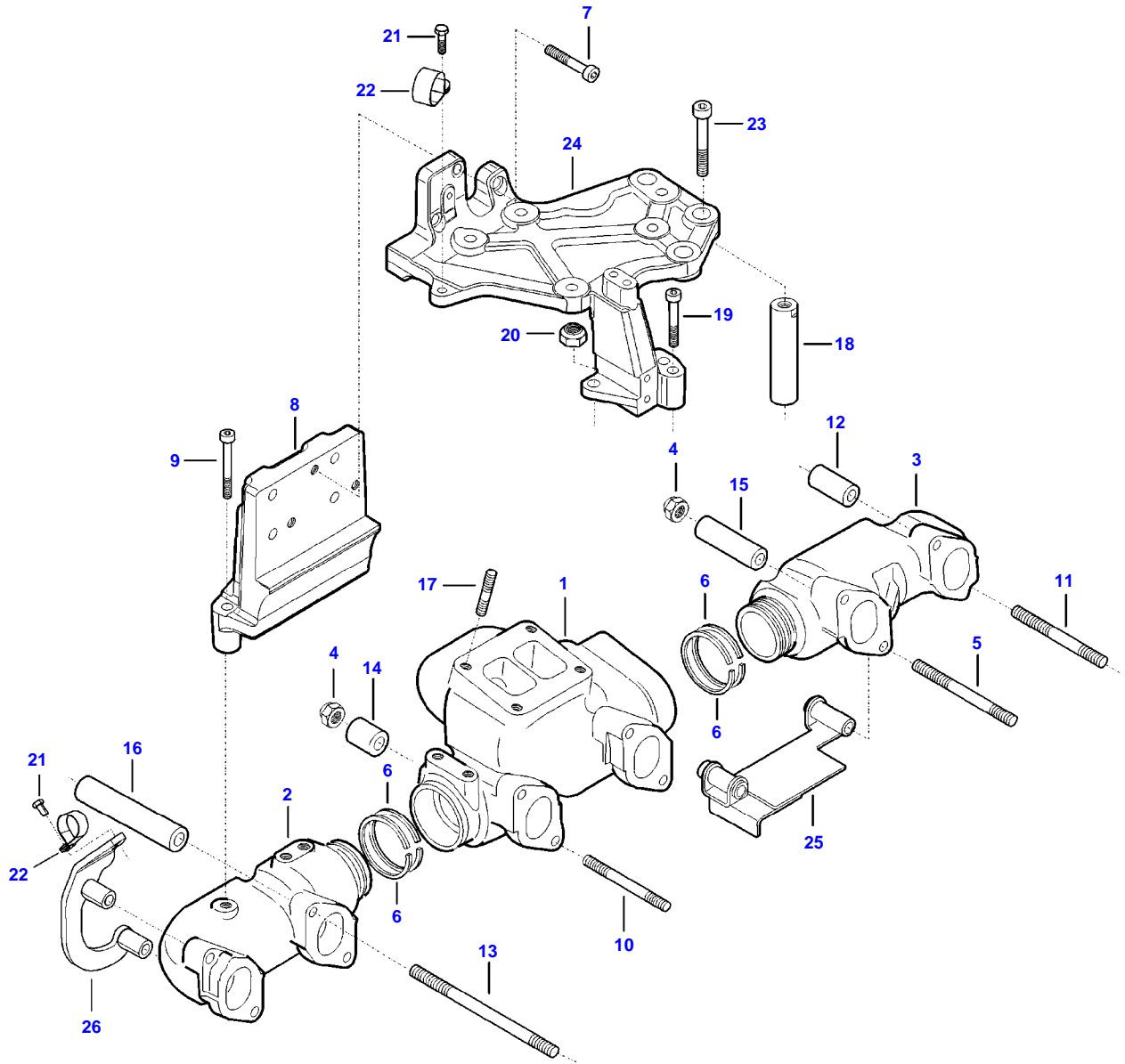
INTAKE MANIFOLD

Page01-0010

Item	Part Number	Qty	Description Comments
1	V837084030	1	INTAKE MANIFOLD
2	V837069009	2	INTAKE MANIFOLD GASKET [A]
3	V529801470	3	HEX CAP SCREW
4	V581804702	4	HEX SOCKET SCREW
5	V837084349	1	AIR PIPE
6	V837084711	1	AIR PIPE
7	V837084643	1	BRACKET
8	V837084452	1	THROTTLE FLAP
9	V837079849	2	GASKET (8) [A]
10	V546801380	2	STUD BOLT
11	V837074847	1	AIR PIPE
12	V837067345	3	GASKET [A]
13	V837067295	1	INTAKE AIR PREHEATER
14	ACP0427330	1	GROUND WIRE (13)
15	V528801382	4	HEX CAP SCREW
16	V836015967	1	SEALING WASHER [A]
17	V581804202	2	HEX SOCKET SCREW
18	V528801402	4	HEX CAP SCREW
19	V529801550	1	HEX CAP SCREW
20	V529801530	2	HEX CAP SCREW
21	V504800800	3	NUT
22	V528801410	8	HEX CAP SCREW
23	V837073959	1	SUPPORT
24	V836119384	2	SPACER PIECE
25	V581805000	2	HEX SOCKET SCREW
26	V529801440	2	HEX CAP SCREW
27	V500050642	2	WASHER
28	V581804182	3	HEX SOCKET SCREW
29	V528801042	1	HEX CAP SCREW
30	V540801510	1	HEXAGON FLANGE BOLT
31	V581804620	2	HEX SOCKET SCREW
32	V540801490	3	HEXAGON FLANGE BOLT
33	V837084709	1	BOOST PIPE
34	V614708625	1	O-RING [A]
35	V837074814	1	V CLAMP
36	V837074029	1	BRACKET
37		1	SEE PAGE 01-0025 SEE PAGE 02-0021
38		1	SEE PAGE 01-0025 SEE PAGE 02-0021
39		1	SEE PAGE 01-0025 SEE PAGE 02-0021
40		1	SEE PAGE 01-0025 SEE PAGE 02-0021 [A] INCLUDED IN CYLINDER HEAD GASKET KIT 1

8380P (ZN205820X03010018-999 / 5824X03010008-999 AL) / 8410P
(ZN205830X03010033-999 / 5834X03010019-999 AL) COMBINE
AP8F1394

AP8F1394





Suggest:

For more complete manuals. Please go to the home page.

<https://www.ebooklibonline.com>

If the above button click is invalid. Please download this document first, and then click the above link to download the complete manual.

Thank you so much for reading

EXHAUST MANIFOLD

Item	Part Number	Qty	Description Comments
1	V837084814	1	EXHAUST MANIFOLD
2	V837084815	1	EXHAUST MANIFOLD
3	V837084844	1	EXHAUST MANIFOLD
4	V513601002	12	NUT
5	V836859188	7	STUD BOLT
6	V837073503	4	SEALING RING [A]
7	V581805050	3	HEX SOCKET SCREW
8	V837086007	1	BRACKET
9	V581705100	3	HEX SOCKET SCREW
10	V546701900	1	STUD BOLT
11	V546801930	1	STUD BOLT
12	V836664012	1	SPACER PIECE
13	V836667960	3	STUD BOLT
14	V835346219	2	SPACER PIECE
15	V836664013	2	SPACER PIECE
16	V837073494	3	SPACER PIECE
17	V546701830	4	STUD BOLT
18	V836867567	3	LIFTING EYE EXTENSION
19	V581705080	2	HEX SOCKET SCREW
20	V504601200	1	NUT
21	V528801362	3	HEX CAP SCREW
22	V602074635	3	HOSE CLIP
23	V581705510	3	HEX SOCKET SCREW
24	V837084630	1	BRACKET
25	V837084744	1	HEATSHIELD
26	V837084902	1	SUPPORT

[A] INCLUDED IN CYLINDER HEAD GASKET KIT 1

<https://www.ebooklibonline.com>

Hello dear friend!

Thank you very much for reading.

Enter the link into your browser.

The full manual is available for immediate download.

<https://www.ebooklibonline.com>