

## COMBINE

## TABLE OF CONTENT

Page00-TOC

Page Number	Page Title	Page Reference
01-000-TOC	ENGINE V835277029 84 AWF	01-000-TOC
02-000-TOC	ENGINE INSTALLATION	02-000-TOC
03-000-TOC	DRIVE SYSTEM	03-000-TOC
04-000-TOC	AXLES	04-000-TOC
05-000-TOC	STEERING SYSTEM	05-000-TOC
06-000-TOC	DRIVE TRAIN SYSTEM	06-000-TOC
07-000-TOC	BRAKE SYSTEM	07-000-TOC
08-000-TOC	HYDRAULIC SYSTEM	08-000-TOC
09-000-TOC	ELECTRICAL SYSTEM	09-000-TOC
10-000-TOC	CAB	10-000-TOC
11-000-TOC	AIR CONDITIONING AND HEATING SYSTEM	11-000-TOC
12-000-TOC	CHASSIS	12-000-TOC
13-000-TOC	DECALS	13-000-TOC
14-000-TOC	WHEELS	14-000-TOC
15-000-TOC	FEEDING SYSTEM	15-000-TOC
16-000-TOC	THRESHING SYSTEM	16-000-TOC
17-000-TOC	CLEANING SYSTEM	17-000-TOC
18-000-TOC	GRAIN BIN AND ELEVATOR SYSTEM	18-000-TOC
19-000-TOC	DISCHARGE SYSTEM	19-000-TOC
20-000-TOC	PRECISION FARMING SYSTEMS	20-000-TOC
21-000-TOC	ACCESSORIES	21-000-TOC

## COMBINE

## ENGINE V835277029 84 AWF

## Page01-000-TOC

Page Number	Page Title	Page Reference
01-0001	ENGINE ASSEMBLIES	1MDL1871569
01-0002	CYLINDER BLOCK - UP TO ENGINE SERIAL NUMBER C52250	1MDL1871631
01-0003	CYLINDER BLOCK - STARTING FROM ENGINE SERIAL NUMBER C52251	1MDL1950029
01-0004	TIMING GEARS AND HOUSING	1MDL1950031
01-0005	FLYWHEEL AND HOUSING	1MDL1950032
01-0006	CRANKSHAFT AND PISTONS	1MDL1950033
01-0007	CAMSHAFT AND VALVE MECHANISM	1MDL1950034
01-0008	CYLINDER HEAD	1MDL1950035
01-0009	VALVE ROCKER COVER	1MDL1950038
01-0010	INTAKE MANIFOLD	1MDL1950040
01-0011	EXHAUST MANIFOLD	1MDL1950193
01-0012	HIGH PRESSURE TURBOCHARGER	1MDL1950216
01-0013	LOW PRESSURE TURBOCHARGER AND ICAC	1MDL1950224
01-0014	EXHAUST GAS RECIRCULATION (EGR) - UP TO ENGINE SERIAL NUMBER A74702	1MDL1950243
01-0015	EXHAUST GAS RECIRCULATION (EGR) - STARTING FROM ENGINE SERIAL NUMBER A74703	1MDL1950244
01-0016	OIL PUMP AND SUMP	1MDL1950334
01-0017	OIL COOLER AND FILTER - UP TO ENGINE SERIAL NUMBER C52250	1MDL1950407
01-0018	OIL COOLER AND FILTER - STARTING FROM ENGINE SERIAL NUMBER C52251	1MDL1950411
01-0019	CLOSED CRANKCASE VENTILATION (CCV)	1MDL1950412
01-0020	COOLANT PIPING	1MDL1950427
01-0021	COOLANT PUMP AND THERMOSTAT	1MDL1950428
01-0022	FUEL INJECTION SYSTEM	1MDL1950429
01-0023	FUEL FILTERS - UP TO ENGINE SERIAL NUMBER A77999	1MDL1950430
01-0024	FUEL FILTERS - STARTING FROM ENGINE SERIAL NUMBER B50000/JLD291001	1MDL1950431
01-0025	ELECTRONIC ENGINE MANAGEMENT	1MDL1950432
01-0026	ALTERNATOR	1MDL1950433
01-0027	STARTER MOTOR	1MDL1950434
01-0028	FAN DRIVE	1MDL1950435
01-0029	EXHAUST AFTERTREATMENT	1MDL1950436
01-0030	ENGINE OVERHAUL PARTS	1MDL1950437
01-0031	SPECIAL OVERHAUL PARTS	1MDL1871801



**<https://www.ebooklibonline.com>**

Hello dear friend!

Thank you very much for reading.

Enter the link into your browser.

The full manual is available for immediate download.

**<https://www.ebooklibonline.com>**

Fendt

8380P (582010001-017 / 582410001-007 AL) / 8410P (583010001-032 / 583410001-018 AL)

6246234

COMBINE

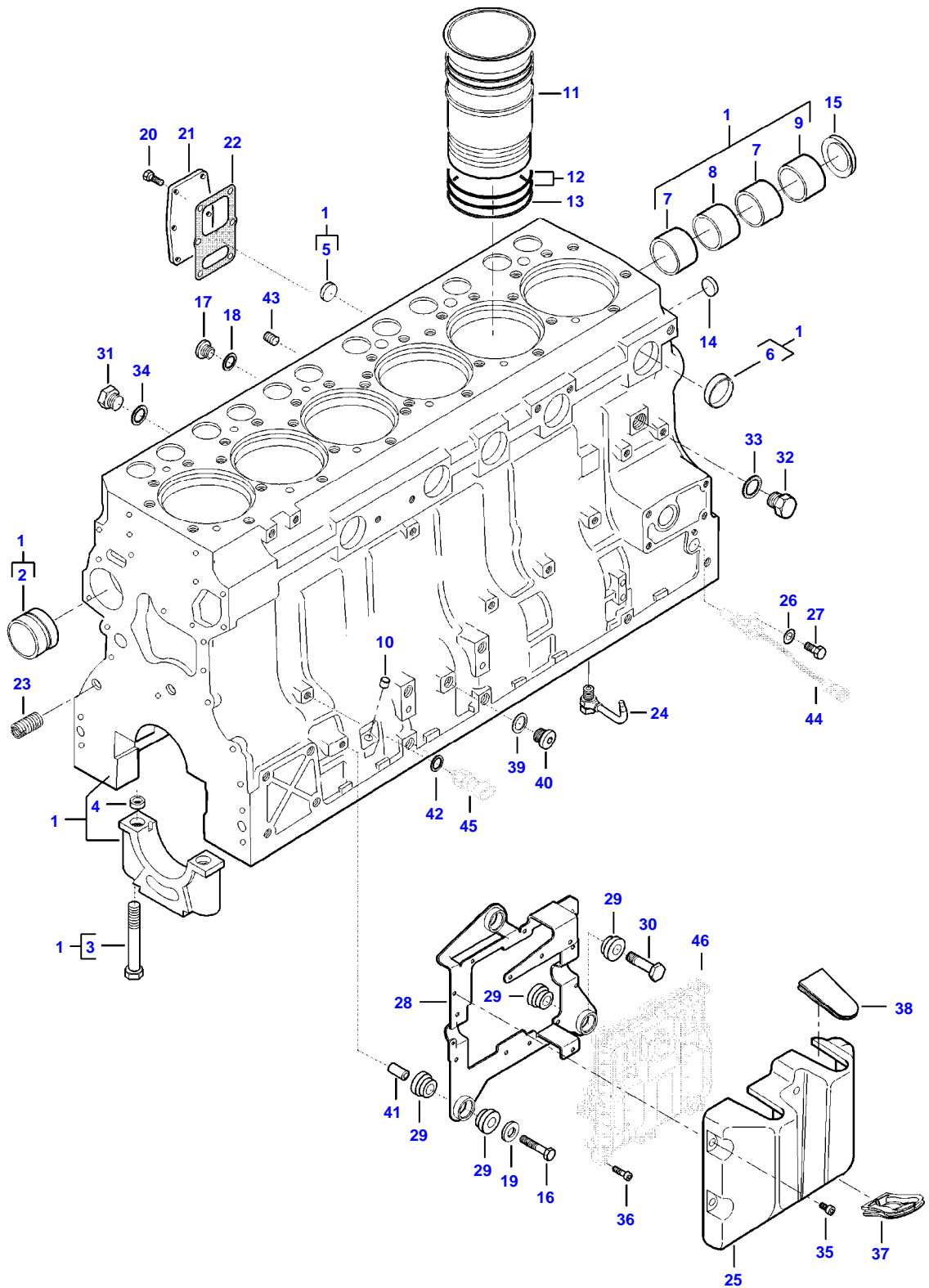
ENGINE ASSEMBLIES

Page01-0001

Item	Part Number	Qty	Description Comments	Technical Specification
1	V835277029	1	ENGINE 276/2100 (KW/RPM)	84 AWF
2	V865277029V	1	LONG BLOCK ENGINE	84 AWF
3	V865277029X	1	SHORT BLOCK ENGINE	84 AWF
4	V837079921	1	LABEL ENGINE TYPE PLATE	

8380P (582010001-017 / 582410001-007 AL) / 8410P (583010001-032 / 583410001-018 AL)  
COMBINE  
AP1F1388

AP1F1388



## COMBINE

## CYLINDER BLOCK - UP TO ENGINE SERIAL NUMBER C52250

Item	Part Number	Qty	Description Comments	Technical Specification
1	V837086217	1	CYLINDER BLOCK	84 AWF
2	V836866069	1	CAMSHAFT BEARING BUSH (1)	
3	V835329030	14	HEX CAP SCREW (1)	
4	V836214478	24	GUIDE SLEEVE (1)	
5	V640016020	1	CUP PLUG (1)	
6	V640016040	3	CUP PLUG (1)	
7	V836852460	2	CAMSHAFT BEARING BUSH (1)	
8	V836852459	1	CAMSHAFT BEARING BUSH (1)	
9	V836852461	1	CAMSHAFT BEARING BUSH (1)	
10	V640016012	1	CUP PLUG	
11	V836867048	6	LINER	
12	V836855446	12	CYLINDER LINER O-RING [B]	
13	V836855447	6	CYLINDER LINER O-RING [B]	
14	V640016016	2	CUP PLUG [B]	
15	V836852744	1	PLUG	
16	V529801430	2	HEX CAP SCREW	
17	V640325110	5	SCREW PLUG	
18	V615871014	5	SEALING WASHER [B]	
19	V500750842	2	WASHER	
20	V528801382	6	HEX CAP SCREW	
21	V836846444	1	COVER	
22	V836322852	1	GASKET [B]	
23	V836859153	1	THREADED BUSH	
24	V837084973	6	PISTON COOLING JET	
25	V837084080	1	COVER	
26	V500050842	1	WASHER	
27	V528801362	1	HEX CAP SCREW	
28	V837084081	1	ECU BRACKET	
29	V837084129	6	DAMPER	
30	V837069056	1	HEX CAP SCREW	
31	V836119079	1	PLUG	
32	V836019756	1	PLUG	
33	V615881824	1	SEALING WASHER [B]	
34	V615881620	1	SEALING WASHER [B]	
35	V581804182	6	HEX SOCKET SCREW	
36	V581804222	8	HEX SOCKET SCREW	
37	V837084661	1	SHIELD	
38	V837084136	2	SHIELD	
39	V615881420	1	SEALING WASHER [B]	
40	V640325014	1	PLUG	
41	V836855626	2	SPACER	
42	V615871016	1	SEALING WASHER [B]	
43	V560204550	1	HEX SOCKET SCREW	
44		1	SEE PAGE 01-0025	
45		1	SEE PAGE 01-0025	

---

Fendt

8380P (582010001-017 / 582410001-007 AL) / 8410P (583010001-032 / 583410001-018 AL)

6246234

COMBINE

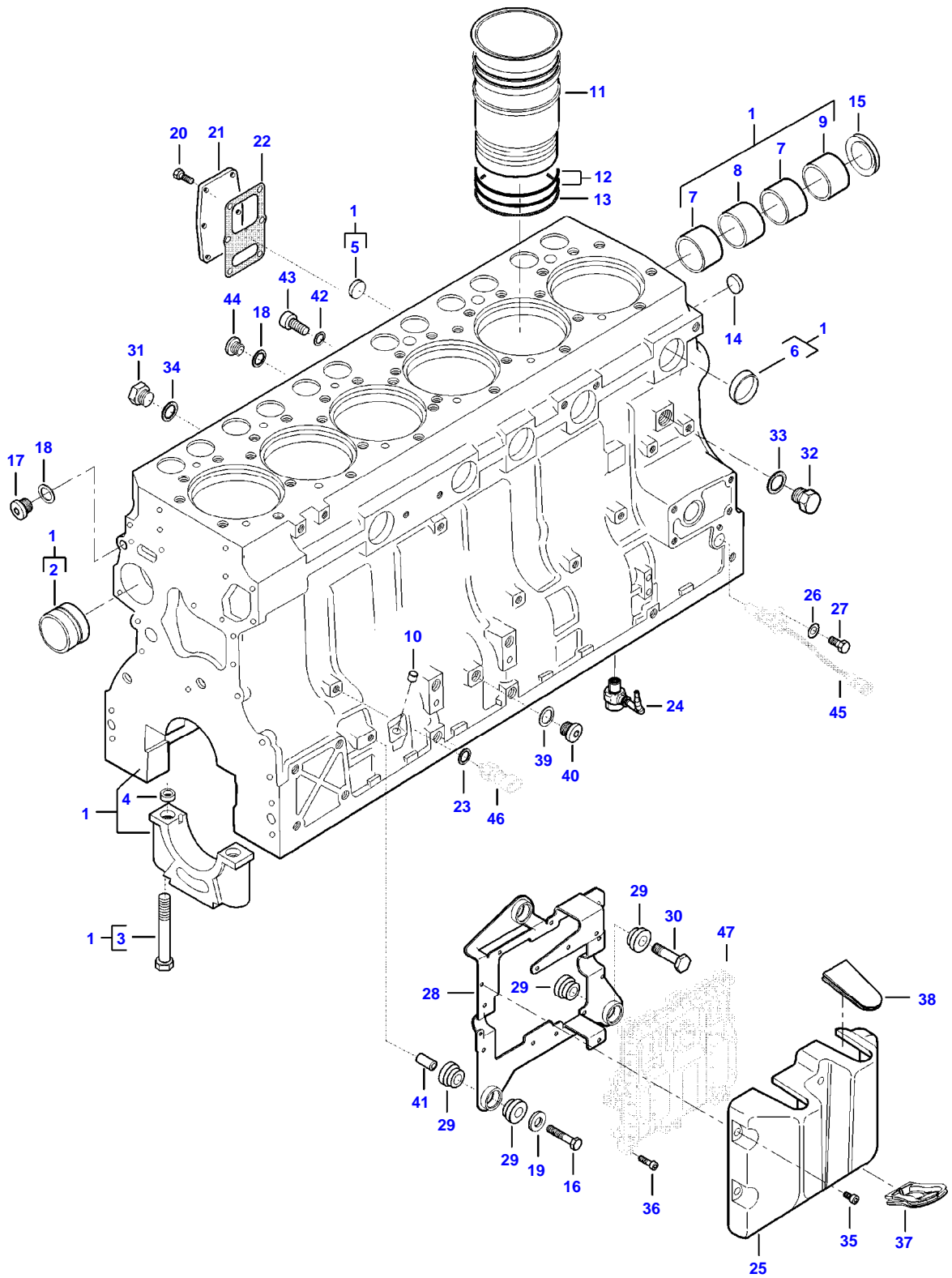
CYLINDER BLOCK - UP TO ENGINE SERIAL NUMBER C52250

Page01-0002

Item	Part Number	Qty	Description Comments	Technical Specification
46		1	SEE PAGE 01-0025 [B] INCLUDED IN COMPLETE ENGINE GASKET KIT 2	

8380P (582010001-017 / 582410001-007 AL) / 8410P (583010001-032 / 583410001-018 AL)  
COMBINE  
AP1F1965

AP1F1965



## COMBINE

## CYLINDER BLOCK - STARTING FROM ENGINE SERIAL NUMBER C52251

Item	Part Number	Qty	Description Comments	Technical Specification
1	V837084526	1	CYLINDER BLOCK	84 AWF-HLA
2	V836866069	1	CAMSHAFT BEARING BUSH (1)	
3	V835329030	14	HEX CAP SCREW (1)	
4	V836214478	24	GUIDE SLEEVE (1)	
5	V640016018	1	CUP PLUG (1)	
6	V640016040	4	CUP PLUG (1)	
7	V836852460	2	CAMSHAFT BEARING BUSH (1)	
8	V837086315	1	CAMSHAFT BEARING BUSH (1)	
9	V836852461	1	CAMSHAFT BEARING BUSH (1)	
10	V640016012	1	CUP PLUG	
11	V836867048	6	LINER	
12	V836855446	12	CYLINDER LINER O-RING [B]	
13	V836855447	6	CYLINDER LINER O-RING [B]	
14	V640016016	2	CUP PLUG [B]	
15	V836852744	1	PLUG	
16	V529801430	2	HEX CAP SCREW	
17	V640325110	9	SCREW PLUG	
18	V615871014	21	SEALING WASHER [B]	
19	V500750842	2	WASHER	
20	V528801382	6	HEX CAP SCREW	
21	V836846444	1	COVER	
22	V836322852	1	GASKET [B]	
23	V615871016	1	SEALING WASHER [B]	
24	V837084973	6	PISTON COOLING JET	
25	V837084080	1	COVER	
26	V500050842	1	WASHER	
27	V528801362	1	HEX CAP SCREW	
28	V837084081	1	ECU BRACKET	
29	V837084129	6	DAMPER	
30	V837069056	1	HEX CAP SCREW	
31	V836119079	1	PLUG	
32	V836019756	1	PLUG	
33	V615881824	1	SEALING WASHER [B]	
34	V615881620	1	SEALING WASHER [B]	
35	V581804182	6	HEX SOCKET SCREW	
36	V581804222	8	HEX SOCKET SCREW	
37	V837084661	1	SHIELD	
38	V837084136	2	SHIELD	
39	V615881420	1	SEALING WASHER [B]	
40	V640325014	1	PLUG	
41	V836855626	2	SPACER	
42	V836684767	1	SEALING WASHER [B]	
43	V581804570	1	HEX SOCKET SCREW	
44	V837086205	12	SCREW PLUG	
45		1	SEE PAGE 01-0025	

Fendt

8380P (582010001-017 / 582410001-007 AL) / 8410P (583010001-032 / 583410001-018 AL)

6246234

COMBINE

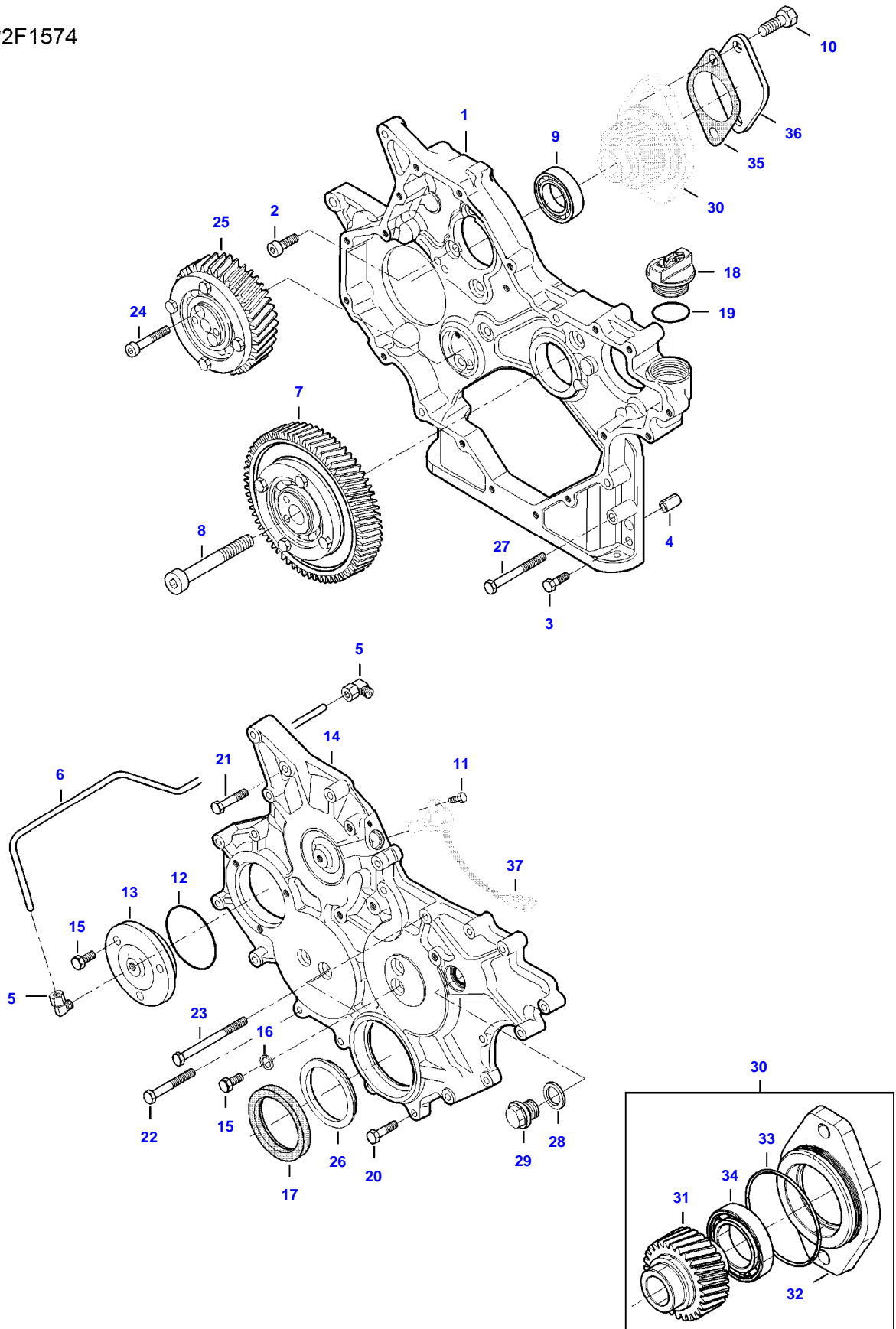
CYLINDER BLOCK - STARTING FROM ENGINE SERIAL NUMBER C52251

Page01-0003

Item	Part Number	Qty	Description Comments	Technical Specification
46		1	SEE PAGE 01-0025	
47		1	SEE PAGE 01-0025 [B] INCLUDED IN COMPLETE ENGINE GASKET KIT 2	

8380P (582010001-017 / 582410001-007 AL) / 8410P (583010001-032 / 583410001-018 AL)  
COMBINE  
AP2F1574

AP2F1574



## COMBINE

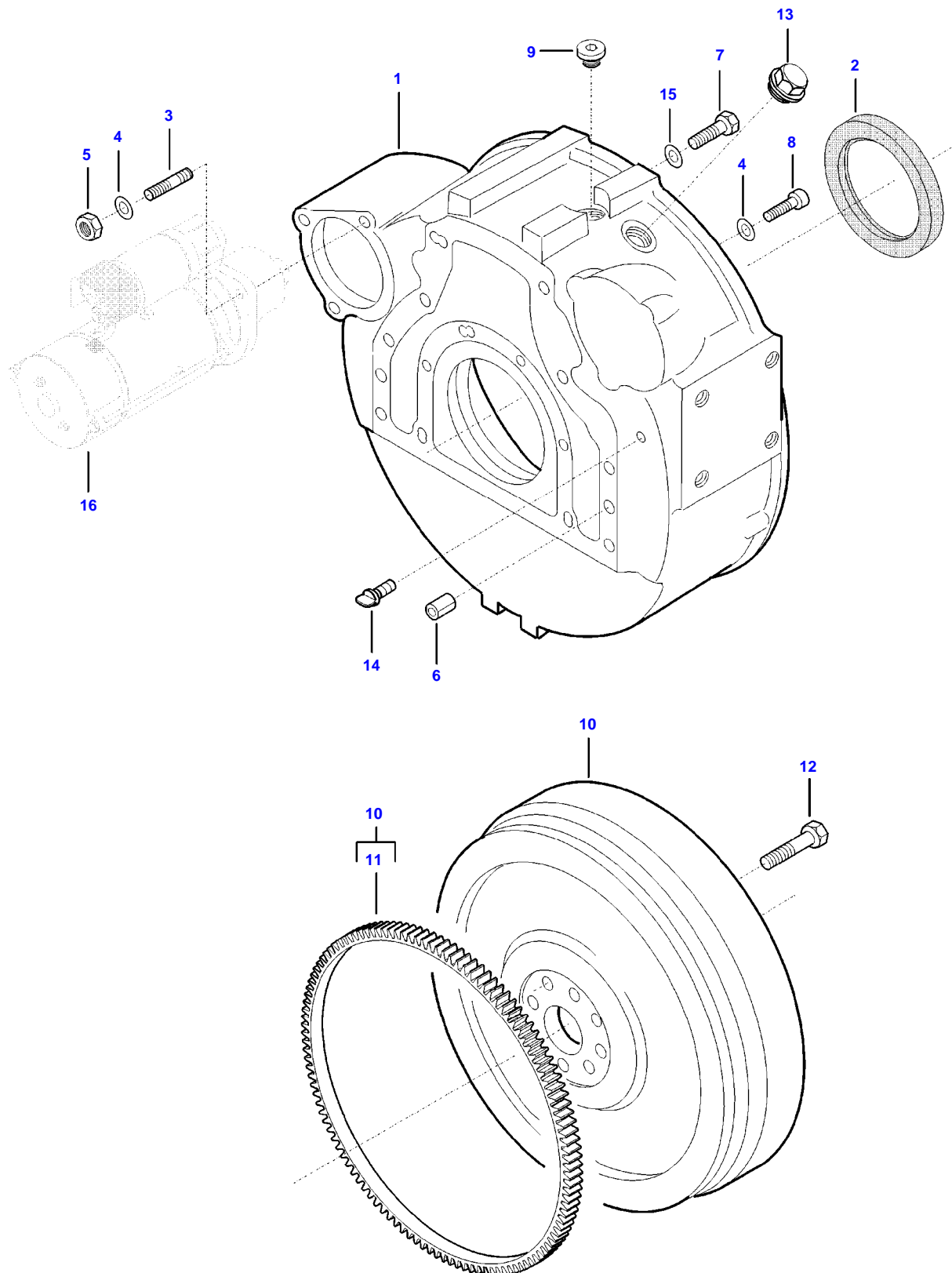
## TIMING GEARS AND HOUSING

Item	Part Number	Qty	Description Comments
1	V837074712	1	TIMING GEAR CASE
2	V581804602	10	HEX SOCKET SCREW
3	V528801402	3	HEX CAP SCREW
4	V598359850	2	PIN
5	V641166006	2	ELBOW FITTING
6	V836867775	1	OIL PIPE
7	V837073583	1	IDLER GEAR
8	V581705910	1	HEX SOCKET SCREW
9	V610060096	1	BALL BEARING
10	V528802602	2	HEX CAP SCREW
11	V528801062	1	HEX CAP SCREW
12	V614606825	1	O-RING [B]
13	V837070179	1	COVER
14	V837074714	1	GEAR HOUSING FRONT COVER
15	V528801382	7	HEX CAP SCREW
16	V615870814	4	SEALING WASHER [B]
17	V836840883	1	CRANKSHAFT SEAL [B]
18	V837081106	1	OIL FILLER CAP
19	V614603540	1	O-RING [B]
20	V528801410	5	HEX CAP SCREW
21	V529801440	12	HEX CAP SCREW
22	V529801510	2	HEX CAP SCREW
23	V529801540	1	HEX CAP SCREW
24	V580704670	2	HEX SOCKET SCREW
25	V837073256	1	IDLER GEAR
26	V836855636	1	SHIELD
27	V529801470	1	HEX CAP SCREW
28	V615882227	1	SEALING WASHER [B]
29	V640045022	1	PLUG
30	V837070137	1	DRIVE
31	V837070005	1	HYDRAULIC PUMP GEAR WHEEL (30)
32	V836855651	1	FLANGE (30)
33	V614609430	1	O-RING (30) [B]
34	V610060096	1	BALL BEARING (30)
35	V836864459	1	GASKET [B]
36	V836864458	1	COVER
37		1	

SEE PAGE 01-0025

**[B] INCLUDED IN COMPLETE ENGINE GASKET KIT 2**

AP3F1914



## COMBINE

## FLYWHEEL AND HOUSING

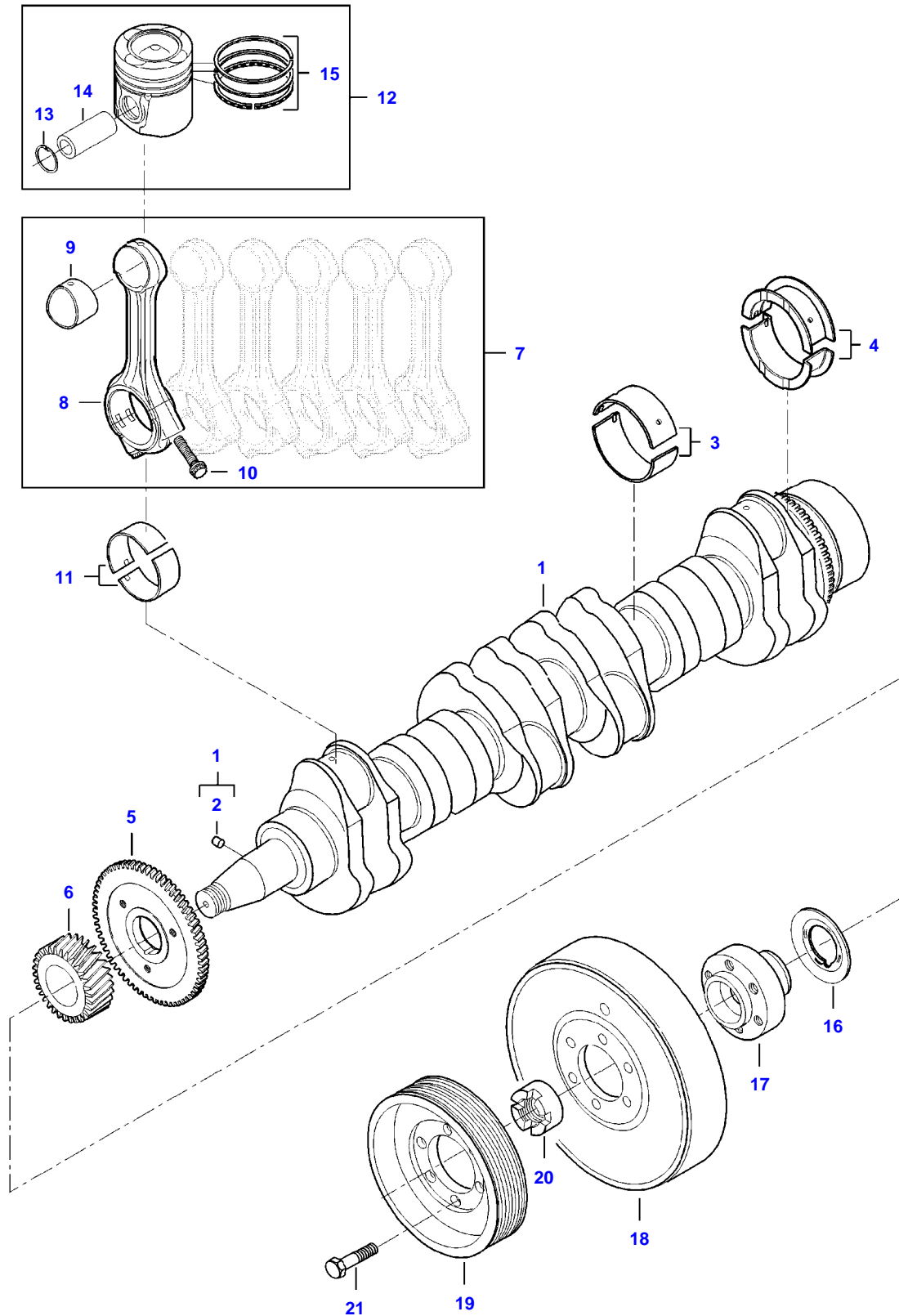
Page01-0005

Item	Part Number	Qty	Description Comments
1	V836652468	1	FLYWHEEL HOUSING
2	V837091173	1	CRANKSHAFT SEAL [B]
3	V546801800	3	STUD BOLT
4	V500951000	6	SPRING WASHER
5	V504601000	3	NUT
6	V598359850	2	PIN
7	V528702220	8	HEX CAP SCREW
8	V581705030	6	HEX SOCKET SCREW
9	V640325018	1	PLUG
10	V836859485	1	FLYWHEEL
11	V836117943	1	STARTER RING (10)
12	V529702630	8	HEX CAP SCREW
13	V640045126	1	PLUG
14	V836859311	1	PLUG
15	V500951200	8	SPRING WASHER
16		1	

SEE PAGE 01-0027

**[B] INCLUDED IN COMPLETE ENGINE GASKET KIT 2**

AP4F1872



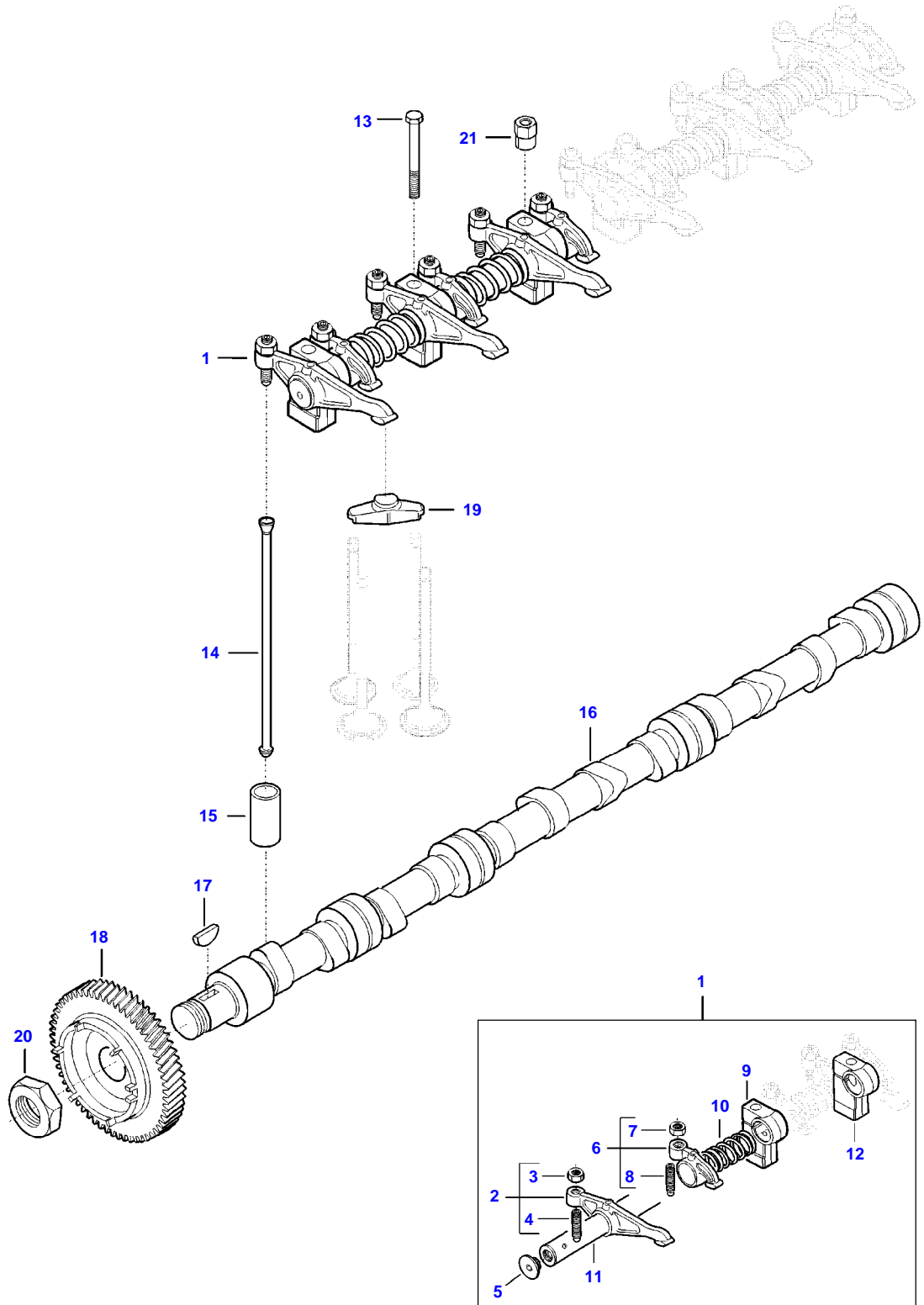
## COMBINE

## CRANKSHAFT AND PISTONS

Page01-0006

Item	Part Number	Qty	Description Comments	Technical Specification
1	V837073996	1	CRANKSHAFT	
2	V836867857	1	KEY (1)	
3	V836840944	6	MAIN BEARING	STD
4	V836879152	1	MAIN BEARING	STD
5	V836874040	1	GEAR,CRANKSHAFT	
6	V837073560	1	GEAR,CRANKSHAFT	
7	V837079475	1	CONNECTING ROD KIT	
8		6	NOT AVAILABLE AS SINGLE PART (7)	
9	V836864288	6	BEARING BUSH (7),(8)	
10	V836873510	12	CONNECTING ROD BOLT (7),(8)	
11	V837062996	6	CONROD BEARING	STD
12	V837086083	6	PISTON	
13		12	NOT AVAILABLE AS SINGLE PART (12)	
14		6	NOT AVAILABLE AS SINGLE PART (12)	
15	V837079459	6	PISTON RING KIT (12)	
16	V836855637	1	RING	
17	V837073679	1	CRANKSHAFT HUB	
18	V836884616	1	CRANKSHAFT VIBRATION DAMPENER	
19	V836855690	1	CRANKSHAFT PULLEY	
20	V836847641	1	CRANKSHAFT NUT	
21	V528702230	6	HEX CAP SCREW	

AP5E1940



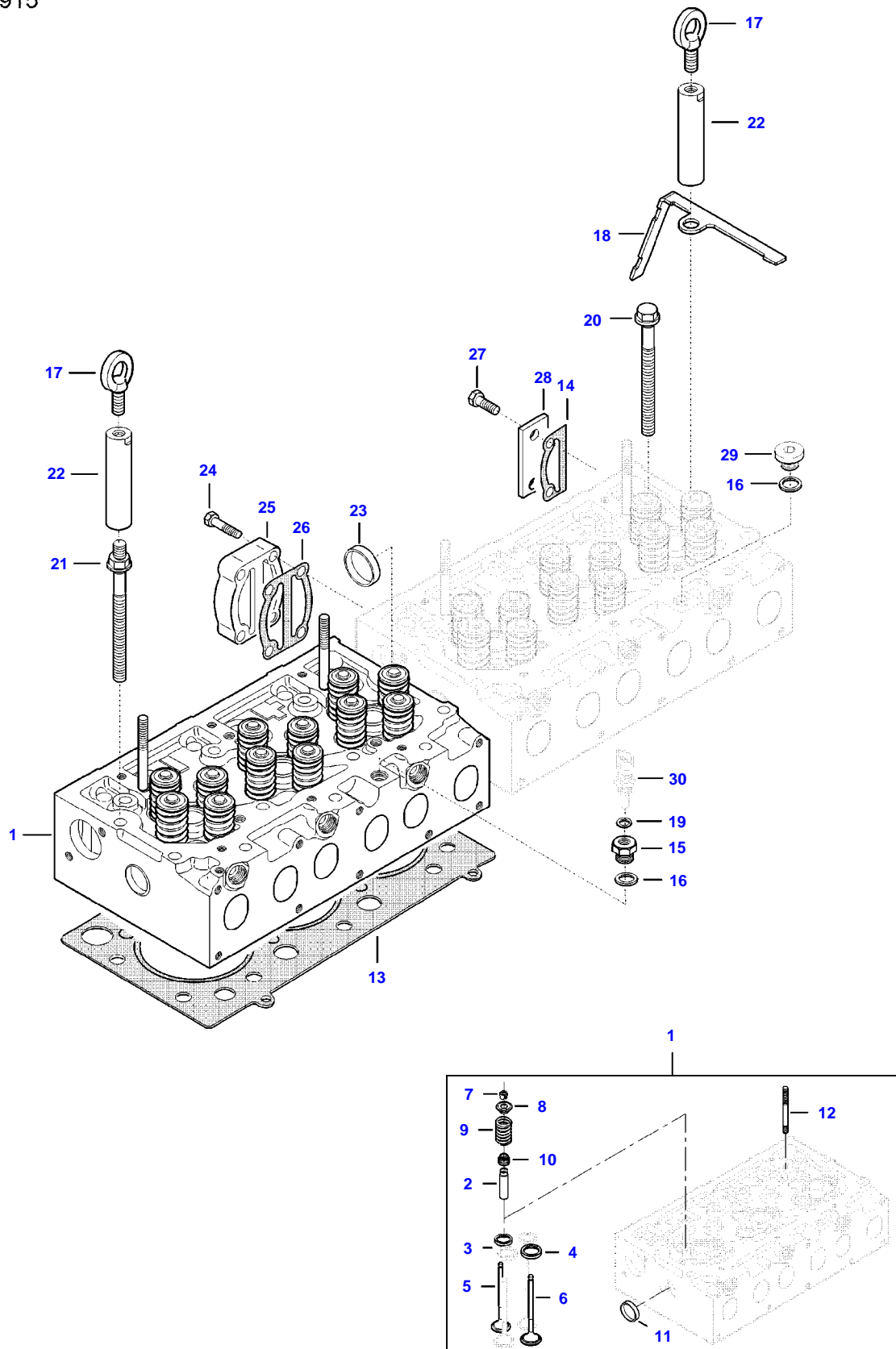
## COMBINE

## CAMSHAFT AND VALVE MECHANISM

Page01-0007

Item	Part Number	Qty	Description Comments	Technical Specification
1	V837069016	2	ROCKER SHAFT ASM	3-CYL 4V
2	V837069011	6	ROCKER ARM (1)	4V INTAKE
3	V512861000	6	NUT (1),(2)	
4	V837069023	6	VALVE ROCKER ADJUSTMENT SCREW (1),(2)	
5	V837069020	4	PLUG (1)	
6	V837069013	6	ROCKER ARM (1)	4V EXHAUST
7	V512861000	6	NUT (1),(6)	
8	V837069023	6	VALVE ROCKER ADJUSTMENT SCREW (1),(6)	
9	V837069018	2	ROCKER SHAFT BRACKET (1)	
10	V837069019	4	SPRING (1)	
11	V837069015	2	SHAFT (1)	
12	V837069017	4	ROCKER SHAFT BRACKET (1)	
13	V529801912	2	HEX CAP SCREW	
14	V837084416	12	PUSH ROD	
15	V836014264	12	TAPPET	
16	V837069101	1	CAMSHAFT	
17	V603305760	1	WOODRUFF KEY	
18	V837073562	1	GEAR,CAMSHAFT	
19	V837073089	12	VALVE BRIDGE	
20	V837069085	1	NUT	
21	V836655406	4	SLEEVE NUT	

AP6F1915



## COMBINE

## CYLINDER HEAD

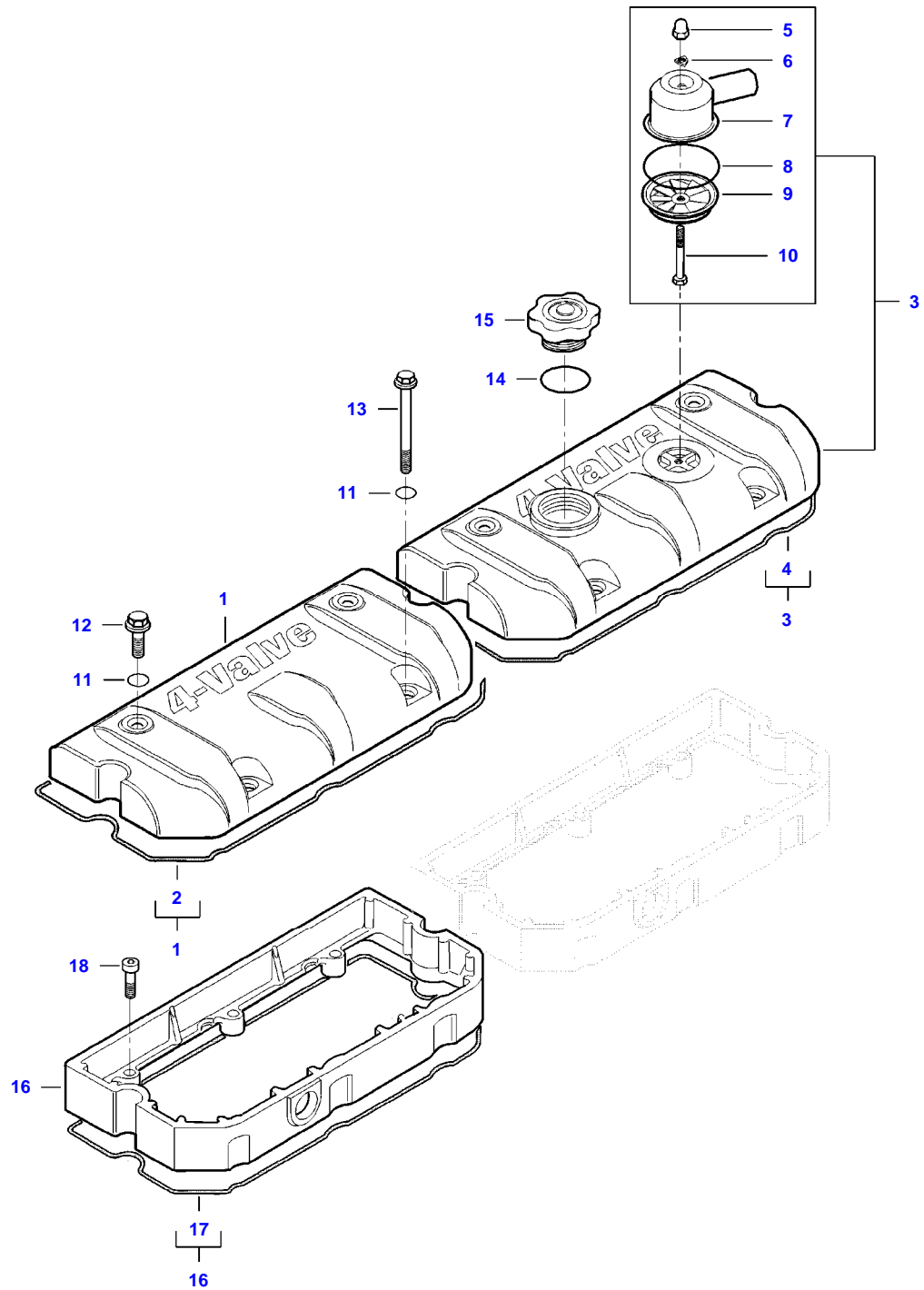
Page01-0008

Item	Part Number	Qty	Description Comments	Technical Specification
1	V837073233	2	CYLINDER HEAD	
2	V837073174	24	VALVE GUIDE (1)	4V STD
3	V837064907	12	VALVE SEAT (1)	4V EXHAUST STD
4	V837064908	12	VALVE SEAT (1)	4V INTAKE STD
5	V837069002	12	EXHAUST VALVE (1)	
6	V837069003	12	INTAKE VALVE (1)	
7	V837064910	48	COTTER (1)	
8	V837069004	24	SPRING PLATE (1)	
9	V837069005	24	VALVE SPRING (1)	
10	V837073165	24	VALVE STEM GASKET (1) [A]	
11	V836647942	8	CUP PLUG (1)	
12	V546901900	4	STUD BOLT (1)	
13	V837084523	2	CYLINDER HEAD GASKET [A]	
14	V836867753	2	GASKET [A]	
15	V836119643	1	THREADED NIPPLE	
16	V615881822	2	SEALING WASHER [A]	
17	V836640752	2	LIFT EYE	
18	V837086340	1	WIRE HARNESS SUPPORT	
19	V615881418	1	SEALING WASHER [A]	
20	V837069025	27	CYLINDER HEAD BOLT	
21	V837073571	7	CYLINDER HEAD BOLT	
22	V836867567	2	LIFTING EYE EXTENSION	
23	V640016045	1	CUP PLUG	
24	V528801820	4	HEX CAP SCREW	
25	V836855348	1	CONNECTION FLANGE	
26	V836867752	1	GASKET [A]	
27	V528801800	4	HEX CAP SCREW	
28	V836855350	2	BLOCK OFF PLATE	
29	V640325018	1	PLUG	
30		1		

SEE PAGE 01-0025

[A] INCLUDED IN CYLINDER HEAD GASKET KIT 1

AP35F1884



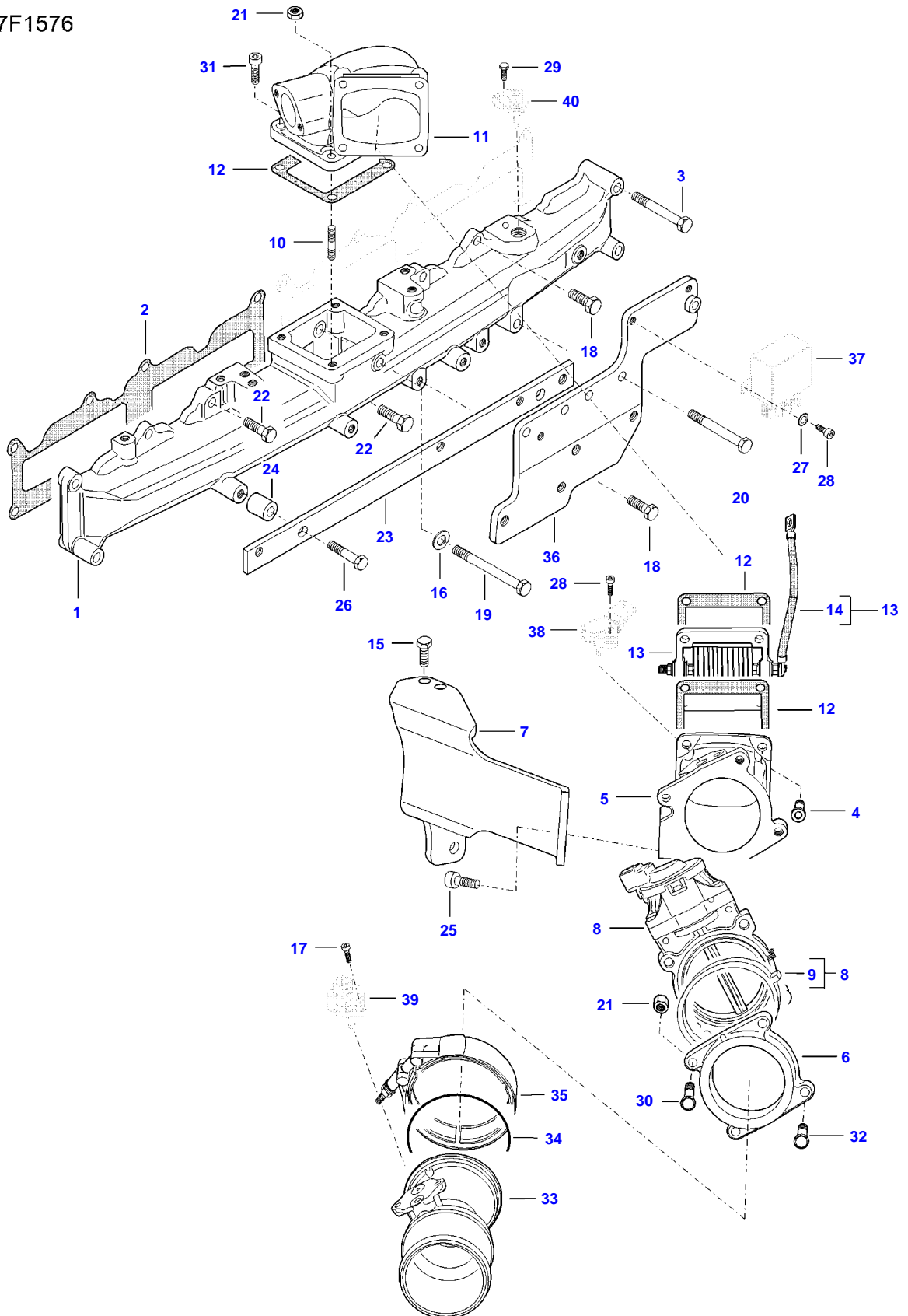
## COMBINE

## VALVE ROCKER COVER

Item	Part Number	Qty	Description Comments
1	V837084117	1	VALVE ROCKER COVER
2	V837067881	1	VALVE ROCKER COVER GASKET (1) [A][C]
3	V837086136	1	VALVE ROCKER COVER
4	V837067881	1	VALVE ROCKER COVER GASKET (3) [A][C]
5	V519600602	1	NUT (3)
6	V836684766	1	SEALING WASHER (3)
7	V837070442	1	BREATHER CAP (3)
8	V614605930	1	O-RING (3)
9	V837070443	1	BREATHER (3)
10	V528801172	1	HEX CAP SCREW (3)
11	V614901030	8	O-RING [A][C]
12	V540801780	4	HEXAGON FLANGE BOLT
13	V540801910	4	HEXAGON FLANGE BOLT
14	V614704850	1	O-RING [A]
15	V836659968	1	OIL FILLER CAP
16	V837084220	2	VALVE ROCKER COVER FRAME
17	V837067881	2	VALVE ROCKER COVER GASKET (16) [A]
18	V581804630	6	HEX SOCKET SCREW [A] INCLUDED IN CYLINDER HEAD GASKET KIT 1 [C] INCLUDED IN VALVE ADJUSTING GASKET KIT 3

8380P (582010001-017 / 582410001-007 AL) / 8410P (583010001-032 / 583410001-018 AL)  
COMBINE  
AP7F1576

AP7F1576



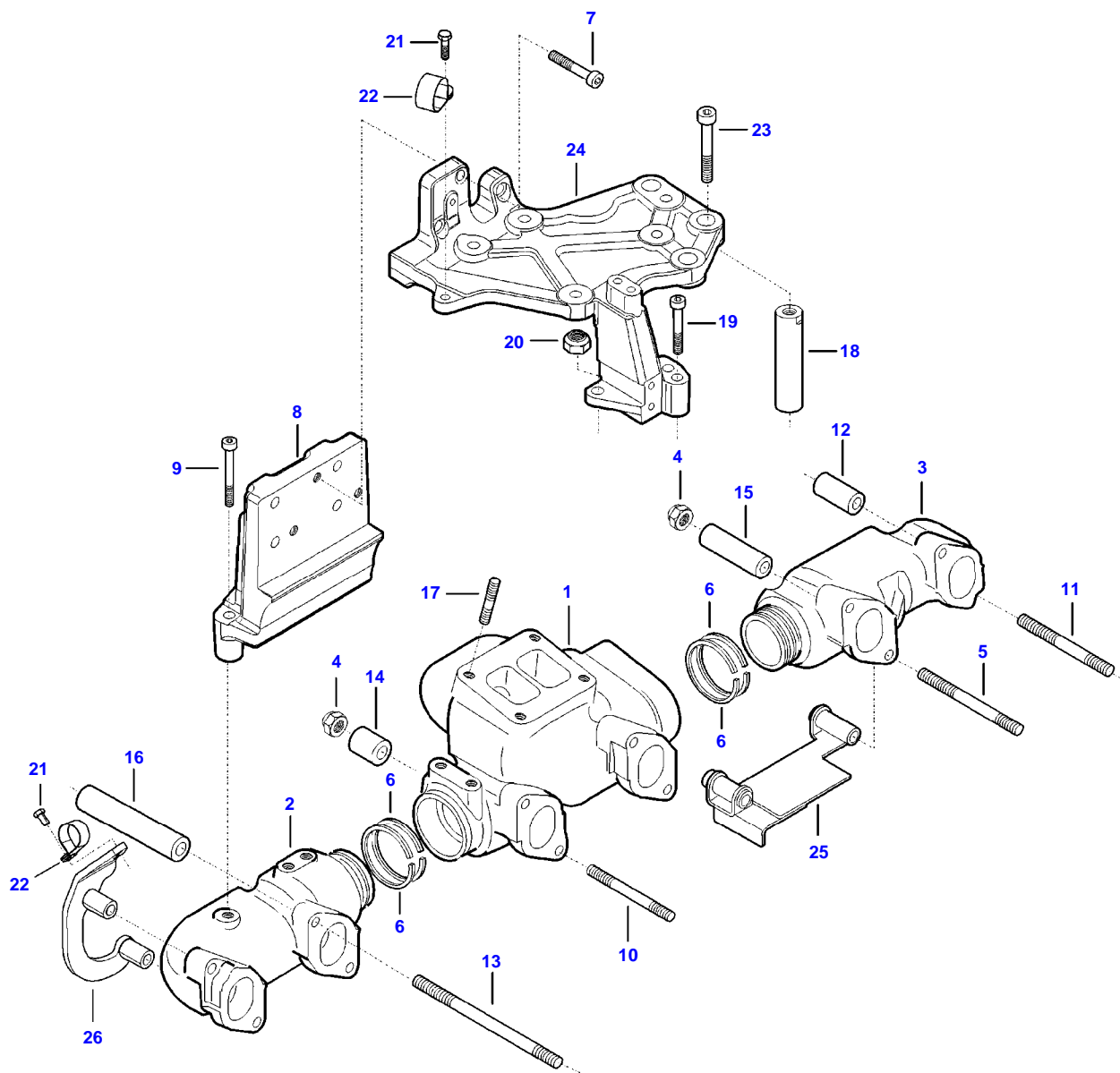
## COMBINE

## INTAKE MANIFOLD

Page01-0010

Item	Part Number	Qty	Description Comments
1	V837084030	1	INTAKE MANIFOLD
2	V837069009	2	INTAKE MANIFOLD GASKET [A]
3	V529801470	3	HEX CAP SCREW
4	V581804702	4	HEX SOCKET SCREW
5	V837084349	1	AIR PIPE
6	V837084711	1	AIR PIPE
7	V837084643	1	BRACKET
8	V837084452	1	THROTTLE FLAP
9	V837079849	2	GASKET (8) [A]
10	V546801380	2	STUD BOLT
11	V837074847	1	AIR PIPE
12	V837067345	3	GASKET [A]
13	V837067295	1	INTAKE AIR PREHEATER
14	ACP0427330	1	GROUND WIRE (13)
15	V528801382	4	HEX CAP SCREW
16	V836015967	1	SEALING WASHER [A]
17	V581804202	2	HEX SOCKET SCREW
18	V528801402	4	HEX CAP SCREW
19	V529801550	1	HEX CAP SCREW
20	V529801530	2	HEX CAP SCREW
21	V504800800	3	NUT
22	V528801410	8	HEX CAP SCREW
23	V837073959	1	SUPPORT
24	V836119384	2	SPACER PIECE
25	V581805000	2	HEX SOCKET SCREW
26	V529801440	2	HEX CAP SCREW
27	V500050642	2	WASHER
28	V581804182	3	HEX SOCKET SCREW
29	V528801042	1	HEX CAP SCREW
30	V540801510	1	HEXAGON FLANGE BOLT
31	V581804620	2	HEX SOCKET SCREW
32	V540801490	3	HEXAGON FLANGE BOLT
33	V837084709	1	BOOST PIPE
34	V614708625	1	O-RING [A]
35	V837074814	1	V CLAMP
36	V837074029	1	BRACKET
37		1	SEE PAGE 01-0025
38		1	SEE PAGE 01-0025
39		1	SEE PAGE 01-0025
40		1	SEE PAGE 01-0025 [A] INCLUDED IN CYLINDER HEAD GASKET KIT 1

AP8F1394



## COMBINE

## EXHAUST MANIFOLD

Item	Part Number	Qty	Description Comments
1	V837084814	1	EXHAUST MANIFOLD
2	V837084815	1	EXHAUST MANIFOLD
3	V837084844	1	EXHAUST MANIFOLD
4	V513601002	12	NUT
5	V836859188	7	STUD BOLT
6	V837073503	4	SEALING RING [A]
7	V581805050	3	HEX SOCKET SCREW
8	V837086007	1	BRACKET
9	V581705100	3	HEX SOCKET SCREW
10	V546701900	1	STUD BOLT
11	V546801930	1	STUD BOLT
12	V836664012	1	SPACER PIECE
13	V836667960	3	STUD BOLT
14	V835346219	2	SPACER PIECE
15	V836664013	2	SPACER PIECE
16	V837073494	3	SPACER PIECE
17	V546701830	4	STUD BOLT
18	V836867567	3	LIFTING EYE EXTENSION
19	V581705080	2	HEX SOCKET SCREW
20	V504601200	1	NUT
21	V528801362	3	HEX CAP SCREW
22	V602074635	3	HOSE CLIP
23	V581705510	3	HEX SOCKET SCREW
24	V837084630	1	BRACKET
25	V837084744	1	HEATSHIELD
26	V837084902	1	SUPPORT

[A] INCLUDED IN CYLINDER HEAD GASKET KIT 1



## COMBINE

## HIGH PRESSURE TURBOCHARGER

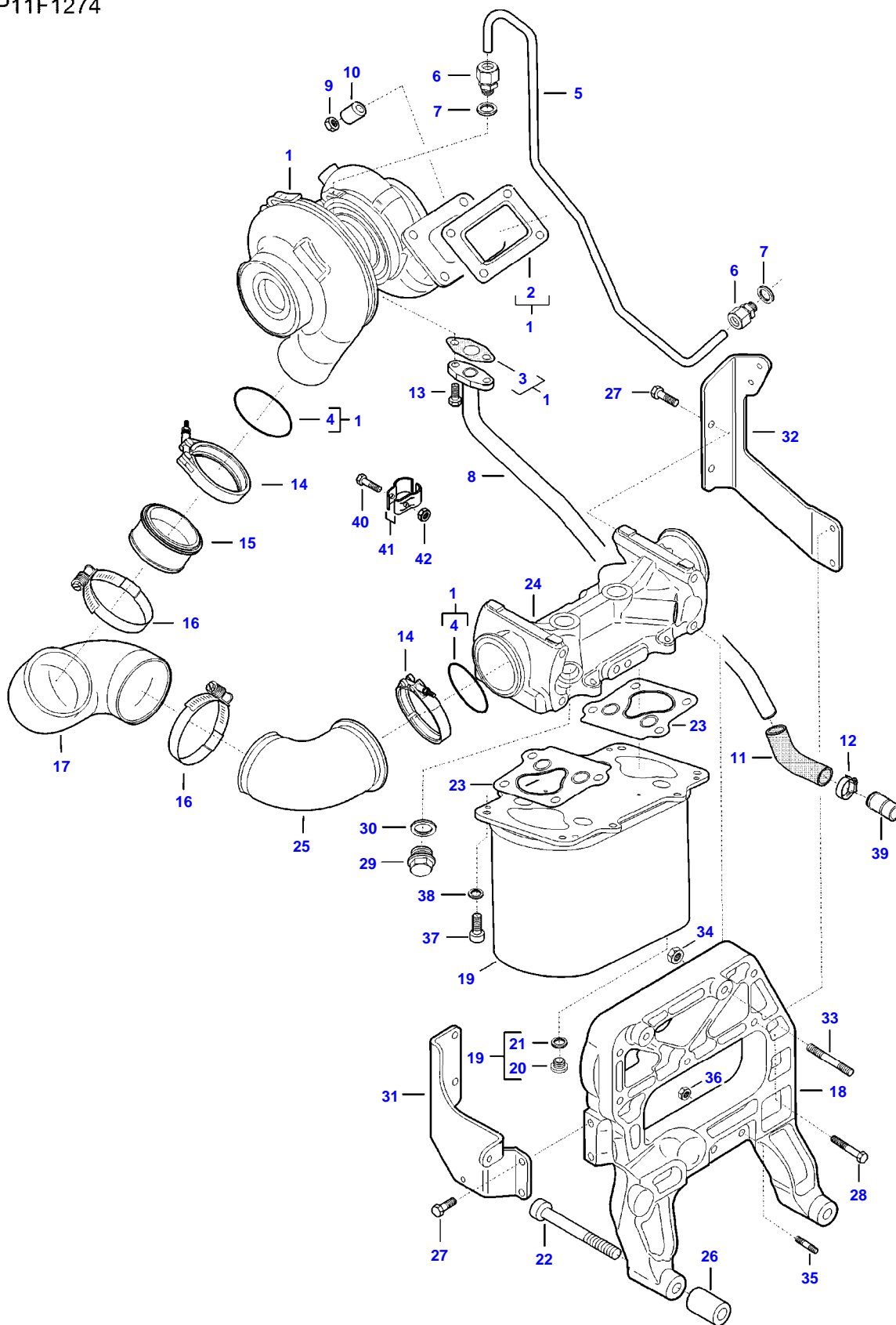
Item	Part Number	Qty	Description Comments	Technical Specification
1	V837079843	1	KIT, TURBOCHARGR	
2	V837091127	3	HEXAGON FLANGE BOLT (1)	
3	V837091123	1	HEATSHIELD (1)	
4	V837091110	1	ACTUATOR (1)	
5	V837079945	1	LOCK RING (1) [C]	
6	V836840992	1	GASKET (1) [A]	
7	V837084638	1	GASKET (1) [A]	
8	V614606225	1	O-RING (1) [A]	
9	V615881216	3	SEALING WASHER (1) [A]	
10	V837084730	1	BRACKET	
11	V837084636	1	TURBOCHARGER LUBRICATION OIL PIPE	
12	V602084722	2	HOSE CLIP	
13	V836873001	1	RUBBER HOSE	
14	V837084241	1	OIL PIPE	
15	V513601002	4	NUT	
16	V528801382	4	HEX CAP SCREW	
17	V836866381	1	BOOST PIPE	
18	V837084886	1	RUBBER ELBOW	
19	V602084795	1	HOSE CLIP	
20	V528801102	2	HEX CAP SCREW	
21	V836773645	4	PIPE CLAMP HALF	
22	V510600602	2	NUT	
23	V837084884	1	AIR PIPE	
24	V614707625	1	O-RING [A][C]	
25	V837074813	1	V CLAMP	
26	V546801860	2	STUD BOLT	
27	V602060608	1	RETAINER CLAMP	
28	V837084539	1	SLEEVE	
29	V837084540	2	SEALING RING [A]	
30	V837074811	1	V CLAMP	D96
31	V836866454	1	V CLAMP	
32	V546801840	6	STUD BOLT	
33	V641086008	1	STRAIGHT FITTING	
34	V521601000	4	NUT	
35	V602084783	1	HOSE CLIP	
36	V528801362	2	HEX CAP SCREW	
37	V837084541	1	FLANGE	
38	V837084078	1	BANJO BOLT	
39	V837084919	1	TURBOCHARGER LUBRICATION OIL PIPE	
40	V581804602	1	HEX SOCKET SCREW	

[A] INCLUDED IN CYLINDER HEAD GASKET KIT 1

[C] INCLUDED IN VALVE ADJUSTING GASKET KIT 3

COMBINE  
AP11F1274

AP11F1274

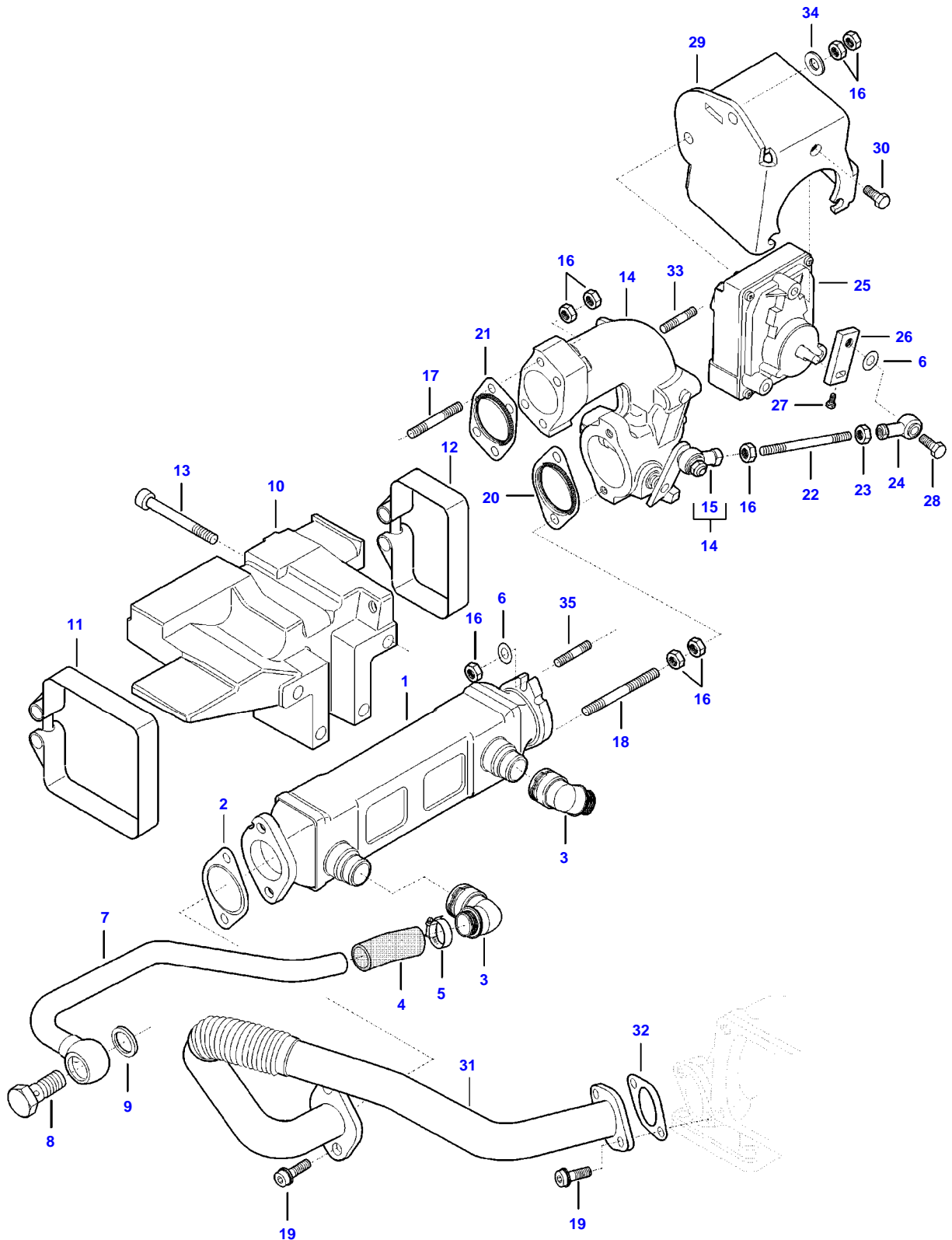


## COMBINE

## LOW PRESSURE TURBOCHARGER AND ICAC

Item	Part Number	Qty	Description Comments
1	V837079845	1	KIT, TURBOCHARGR
2	V836884072	1	GASKET (1) [A]
3	V837084638	1	GASKET (1) [A][C]
4	V614707625	2	O-RING (1) [A][C]
5	V837084057	1	TURBOCHARGER LUBRICATION OIL PIPE
6	V641086010	2	STRAIGHT FITTING
7	V615881420	2	SEALING WASHER [A]
8	V837084058	1	TURBOCHARGER LUBRICATION OIL PIPE
9	V513601002	4	NUT
10	V837070337	4	SPACER PIECE
11	V837084406	1	RUBBER ELBOW
12	V602084722	2	HOSE CLIP
13	V528801382	2	HEX CAP SCREW
14	V837074813	2	V CLAMP
15	V837084034	1	HOSE ADAPTER
16	V602084770	2	HOSE CLIP
17	V837086063	1	AIR HOSE
18	V837084458	1	BRACKET
19	V837084506	1	CHARGE AIR COOLER
20	V640305012	1	PLUG (19)
21	V615881216	1	SEALING WASHER (19) [A]
22	V581705990	2	HEX SOCKET SCREW
23	V837084507	2	GASKET INCLUDED IN GASKET KIT 1
24	V837084477	1	HOUSING
25	V837086413	1	AIR PIPE
26	V836859130	2	SPACER PIECE
27	V528801402	8	HEX CAP SCREW
28	V529801480	5	HEX CAP SCREW
29	V640045126	4	PLUG
30	V615892631	4	SEALING WASHER [A]
31	V837084460	1	SUPPORT
32	V837084729	1	BRACKET
33	V546801900	2	STUD BOLT
34	V504801000	2	NUT
35	V546801410	2	STUD BOLT
36	V504800800	2	NUT
37	V581804620	8	HEX SOCKET SCREW
38	V500050842	8	WASHER
39	V837084241	1	OIL PIPE
40	V528801102	2	HEX CAP SCREW
41	V836773645	4	PIPE CLAMP HALF
42	V510600602	2	NUT [A] INCLUDED IN CYLINDER HEAD GASKET KIT 1 [C] INCLUDED IN VALVE ADJUSTING GASKET KIT 3

AP12G1172



## COMBINE

## EXHAUST GAS RECIRCULATION (EGR) - UP TO ENGINE SERIAL NUMBER A74702

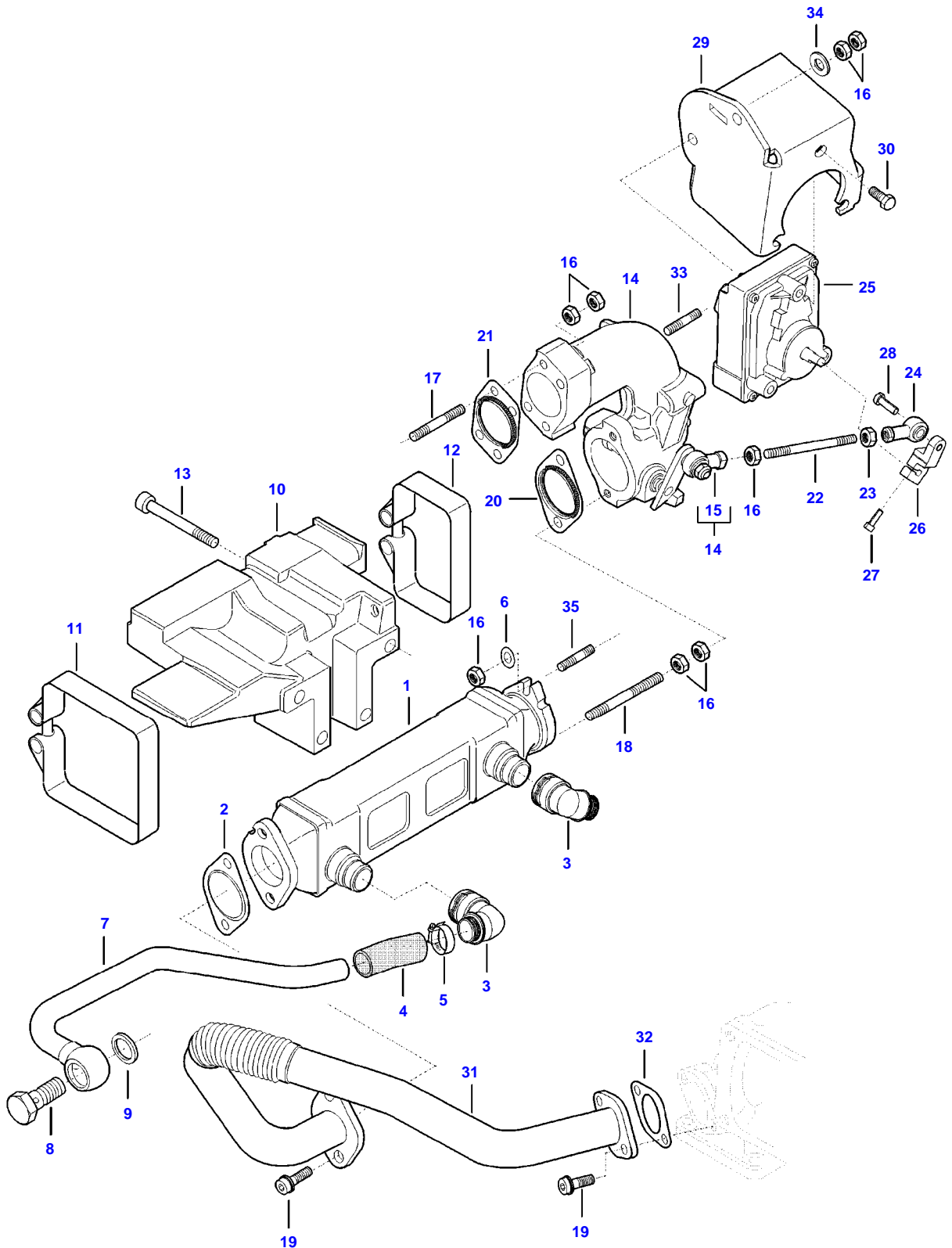
Item	Part Number	Qty	Description Comments
1	V837074869	1	EGR COOLER
2	V837074972	1	GASKET [A][C]
3	V837074870	2	HOSE COUPLER
4	V837086286	1	RUBBER HOSE
5	V602084722	2	HOSE CLIP
6	V500050842	2	WASHER
7	V837074499	1	WATER PIPE
8	V640435028	1	BANJO BOLT
9	V615893036	2	SEALING WASHER [A]
10	V837084348	1	BRACKET
11	V837084475	1	CLAMP
12	V837084476	1	CLAMP
13	V581705110	4	HEX SOCKET SCREW
14	V837074722	1	EGR VALVE
15	V837079691	1	UNION (14)
16	V504800800	16	NUT
17	V546701440	4	STUD BOLT
18	V546801500	1	STUD BOLT
19	V588704600	4	HEX SOCKET SCREW
20	V837084664	1	GASKET [A]
21	V837084663	1	GASKET [A]
22	V837074902	1	ROD
23	V504650800	1	NUT
24	V837073478	1	CONNECTOR
25	V837074614	1	ACTUATOR
26	V837084820	1	LEVER
27	V581804182	1	HEX SOCKET SCREW
28	V528801402	1	HEX CAP SCREW
29	V837074867	1	BRACKET
30	V528801362	3	HEX CAP SCREW
31	V837074541	1	PIPE
32	V837074977	1	GASKET [A][C]
33	V546801400	2	STUD BOLT
34	V836120989	2	WASHER
35	V546801380	1	STUD BOLT

[A] INCLUDED IN CYLINDER HEAD GASKET KIT 1

[C] INCLUDED IN VALVE ADJUSTING GASKET KIT 3

8380P (582010001-017 / 582410001-007 AL) / 8410P (583010001-032 / 583410001-018 AL)  
COMBINE  
AP12G1242

AP12G1242



## COMBINE

## EXHAUST GAS RECIRCULATION (EGR) - STARTING FROM ENGINE SERIAL NUMBER A74703

Item	Part Number	Qty	Description Comments
1	V837074869	1	EGR COOLER
2	V837074972	1	GASKET [A][C]
3	V837074870	2	HOSE COUPLER
4	V837086286	1	RUBBER HOSE
5	V602084722	2	HOSE CLIP
6	V500050842	2	WASHER
7	V837074499	1	WATER PIPE
8	V640435028	1	BANJO BOLT
9	V615893036	2	SEALING WASHER [A]
10	V837084348	1	BRACKET
11	V837084475	1	CLAMP
12	V837084476	1	CLAMP
13	V581705110	4	HEX SOCKET SCREW
14	V837074722	1	EGR VALVE
15	V837079691	1	UNION (14)
16	V504800800	16	NUT
17	V546701440	4	STUD BOLT
18	V546801500	1	STUD BOLT
19	V588704600	4	HEX SOCKET SCREW
20	V837084664	1	GASKET [A]
21	V837084663	1	GASKET [A]
22	V837074902	1	ROD
23	V504650800	1	NUT
24	V837073478	1	CONNECTOR
25	V837084781	1	ACTUATOR
26	V837086024	1	LEVER
27	V581804202	1	HEX SOCKET SCREW
28	V577904620	1	HEX SOCKET SCREW
29	V837074867	1	BRACKET
30	V528801362	3	HEX CAP SCREW
31	V837074541	1	PIPE
32	V837074977	1	GASKET [A][C]
33	V546801400	2	STUD BOLT
34	V836120989	2	WASHER
35	V546801380	1	STUD BOLT

[A] INCLUDED IN CYLINDER HEAD GASKET KIT 1

[C] INCLUDED IN VALVE ADJUSTING GASKET KIT 3





**Suggest:**

**For more complete manuals. Please go to the home page.**

**<https://www.ebooklibonline.com>**

**If the above button click is invalid. Please download this document first, and then click the above link to download the complete manual.**

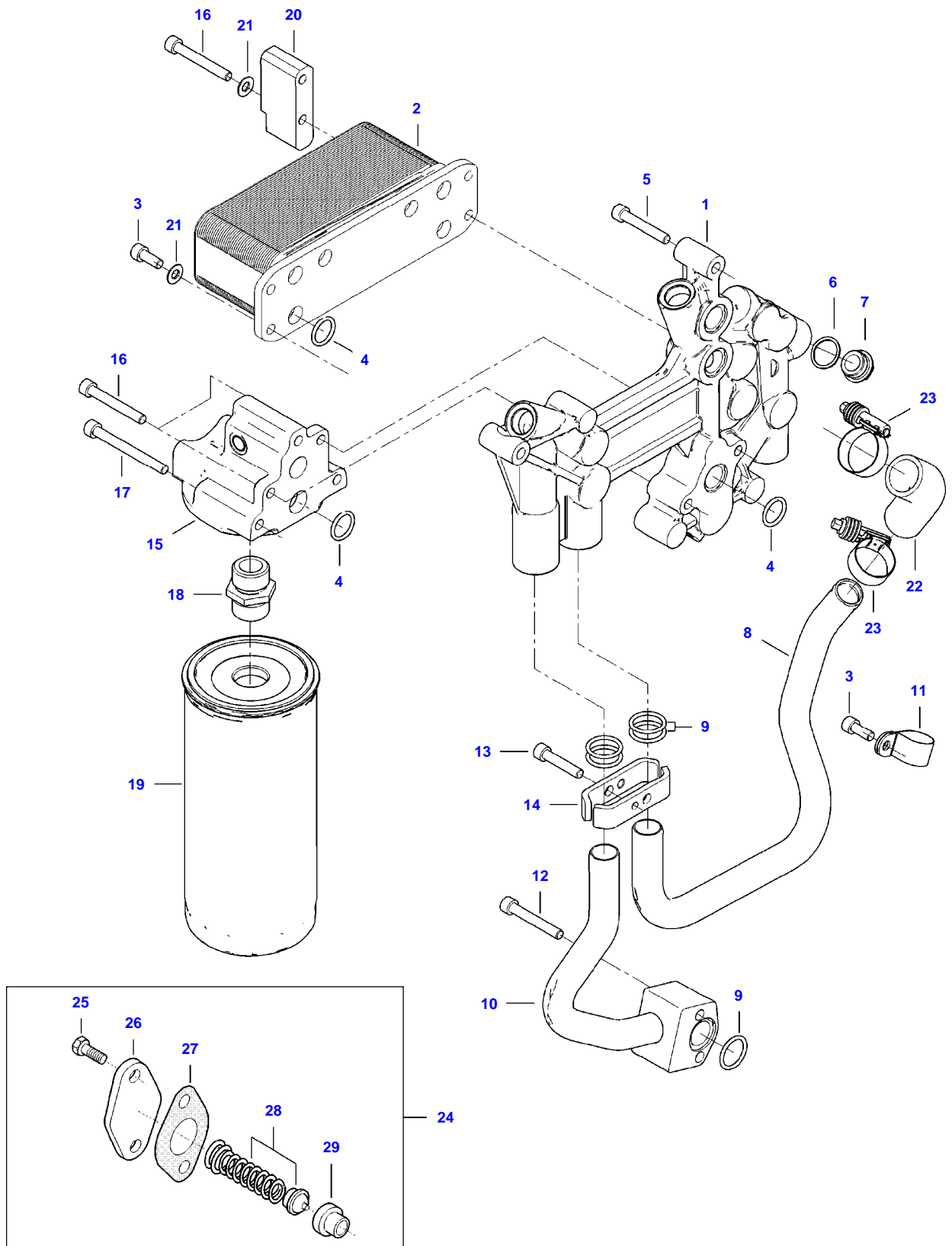
**Thank you so much for reading**

## COMBINE

## OIL PUMP AND SUMP

Item	Part Number	Qty	Description Comments
1	V836347308	1	OIL SUMP
2	V837084649	1	OIL SUMP GASKET [B]
3	V500950800	4	SPRING WASHER
4	V580804630	4	HEX SOCKET SCREW
5	V580805030	24	HEX SOCKET SCREW
6	V836884833	2	PLATE
7	V615882227	1	SEALING WASHER [B]
8	V640045022	1	PLUG
9	V836867888	1	DIPSTICK
10	V836874208	1	OIL PUMP
11	V836338188	1	GASKET (10) [B]
12	V614702230	2	O-RING (10) [B]
13	V581705050	2	HEX SOCKET SCREW
14	V500150842	1	WASHER
15	V528801362	2	HEX CAP SCREW
16	V837084453	1	OIL DIPSTICK GUIDE PIPE
17	V602060612	1	RETAINER CLAMP
18	V615881622	1	SEALING WASHER [B]
19	V837074686	1	SUPPORT
20	V641086012	1	STRAIGHT FITTING
21	V581804602	1	HEX SOCKET SCREW
22	V510600802	1	NUT
23	V836855674	1	OIL PUMP SUCTION PIPE
24	V837074139	1	OIL PIPE
25	V836338201	1	GASKET [B]
26	V836008449	1	GASKET [B]
27	V581804602	4	HEX SOCKET SCREW
28	V836007871		SHIM AS REQUIRED, REFER TO WORKSHOP MANUAL <b>[B] INCLUDED IN COMPLETE ENGINE GASKET KIT 2</b>

AP14G1173



**<https://www.ebooklibonline.com>**

Hello dear friend!

Thank you very much for reading.

Enter the link into your browser.

The full manual is available for immediate download.

**<https://www.ebooklibonline.com>**