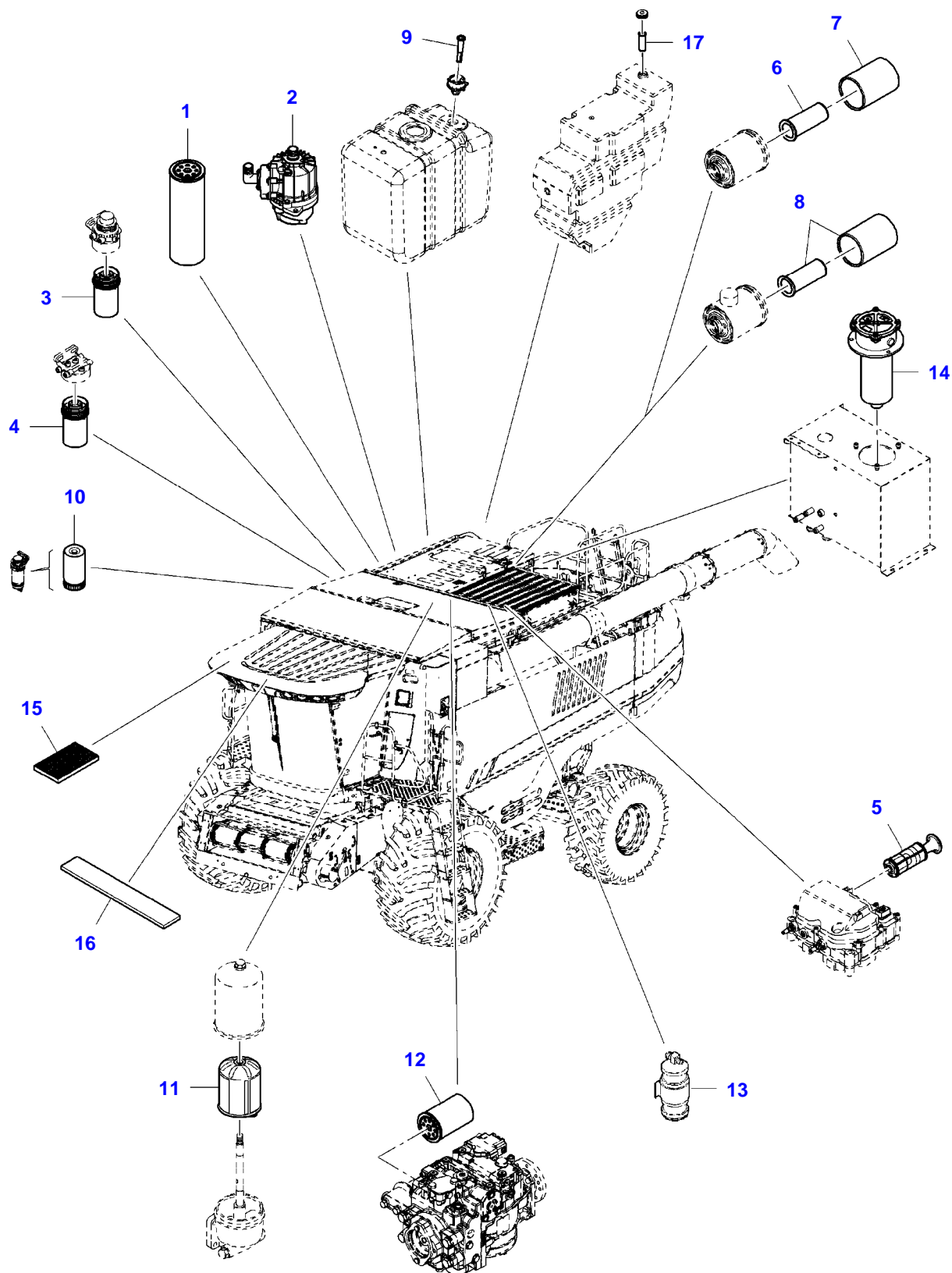


(62276-63999) COMBINE

TABLE OF CONTENT

Page00-TOC

Page Number	Page Title	Page Reference
01-000-TOC	ENGINE, FUEL AND EXHAUST SYSTEM	01-000-TOC
02-000-TOC	DRIVE SYSTEM	02-000-TOC
03-000-TOC	AXLES	03-000-TOC
04-000-TOC	FRAME AND SUSPENSION	04-000-TOC
05-000-TOC	STEERING SYSTEM	05-000-TOC
06-000-TOC	DRIVE TRAIN SYSTEM	06-000-TOC
07-000-TOC	BRAKE SYSTEM	07-000-TOC
08-000-TOC	HYDRAULIC SYSTEM	08-000-TOC
09-000-TOC	ELECTRICAL SYSTEM	09-000-TOC
10-000-TOC	CAB	10-000-TOC
11-000-TOC	AIR CONDITIONING AND HEATING SYSTEM	11-000-TOC
12-000-TOC	CHASSIS	12-000-TOC
13-000-TOC	DECALS	13-000-TOC
14-000-TOC	WHEELS	14-000-TOC
15-000-TOC	FEEDING SYSTEM	15-000-TOC
16-000-TOC	THRESHING SYSTEM	16-000-TOC
17-000-TOC	CLEANING SYSTEM	17-000-TOC
18-000-TOC	GRAIN BIN AND ELEVATOR SYSTEM	18-000-TOC
19-000-TOC	DISCHARGE SYSTEM	19-000-TOC
20-000-TOC	PRECISION FARMING SYSTEMS	20-000-TOC
21-000-TOC	ATTACHMENTS	21-000-TOC
22-000-TOC	ACCESSORIES	22-000-TOC
23-000-TOC	GENERAL INFORMATION	23-000-TOC



FILTERS

Item	Part Number	Qty	Description Comments
1	V836362567	1	ENGINE OIL FILTER SEE PAGE 01-0039 SEE PAGE 01-0040
2	V837073734	1	CCV FILTER FROM ENGINE S/N X29718 SEE PAGE 01-0043
3	V836867591	1	FUEL ELEMENT UP TO ENGINE S/N X29717 SEE PAGE 01-0048 SEE PAGE 01-0049 SEE PAGE 01-0050
	V837079555	1	FUEL FILTER FROM ENGINE S/N X29718 SEE PAGE 01-0051
4	V836867595	1	FUEL ELEMENT UP TO ENGINE S/N X29717 SEE PAGE 01-0048 SEE PAGE 01-0049 SEE PAGE 01-0050
	V837079556	1	FUEL FILTER FROM ENGINE S/N 29718 SEE PAGE 01-0051
5	V837079423	1	DEF FILTER FROM ENGINE S/N X29718 SEE PAGE 01-0063
6	D46483900	1	ELEMENT,AIR FILTER UP TO MACHINE S/N 580000025 - 8370 580400003 - 8370AL 581000013 - 8400 581400006 - 8400AL
7	D46483800	1	ELEMENT,AIR FILTER UP TO MACHINE S/N 580000025 - 8370 580400003 - 8370AL 581000013 - 8400 581400006 - 8400AL
8	6248328M91	1	KIT, ELEMENT FROM MACHINE S/N 580000026 - 8370 580400004 - 8370AL 581000014 - 8400 581400007 - 8400AL
9	71443169	1	DEF FILLER NECK FILTER SEE PAGE 01-0087
10	D46443000	1	FUEL ELEMENT SEE PAGE 01-0088
11	V836362228	1	FILTER UP TO ENGINE S/N X29717 SEE PAGE 01-0041 SEE PAGE 01-0042
12	D45161300	1	OIL FILTER SEE PAGE 02-0005 SEE PAGE 02-0006 SEE PAGE 02-0007 SEE PAGE 02-0008
13	D45070017	1	AIR CONDITIONING RECEIVER DRIER SEE PAGE 11-0003

<https://www.ebooklibonline.com>

Hello dear friend!

Thank you very much for reading.

Enter the link into your browser.

The full manual is available for immediate download.

<https://www.ebooklibonline.com>

Fendt

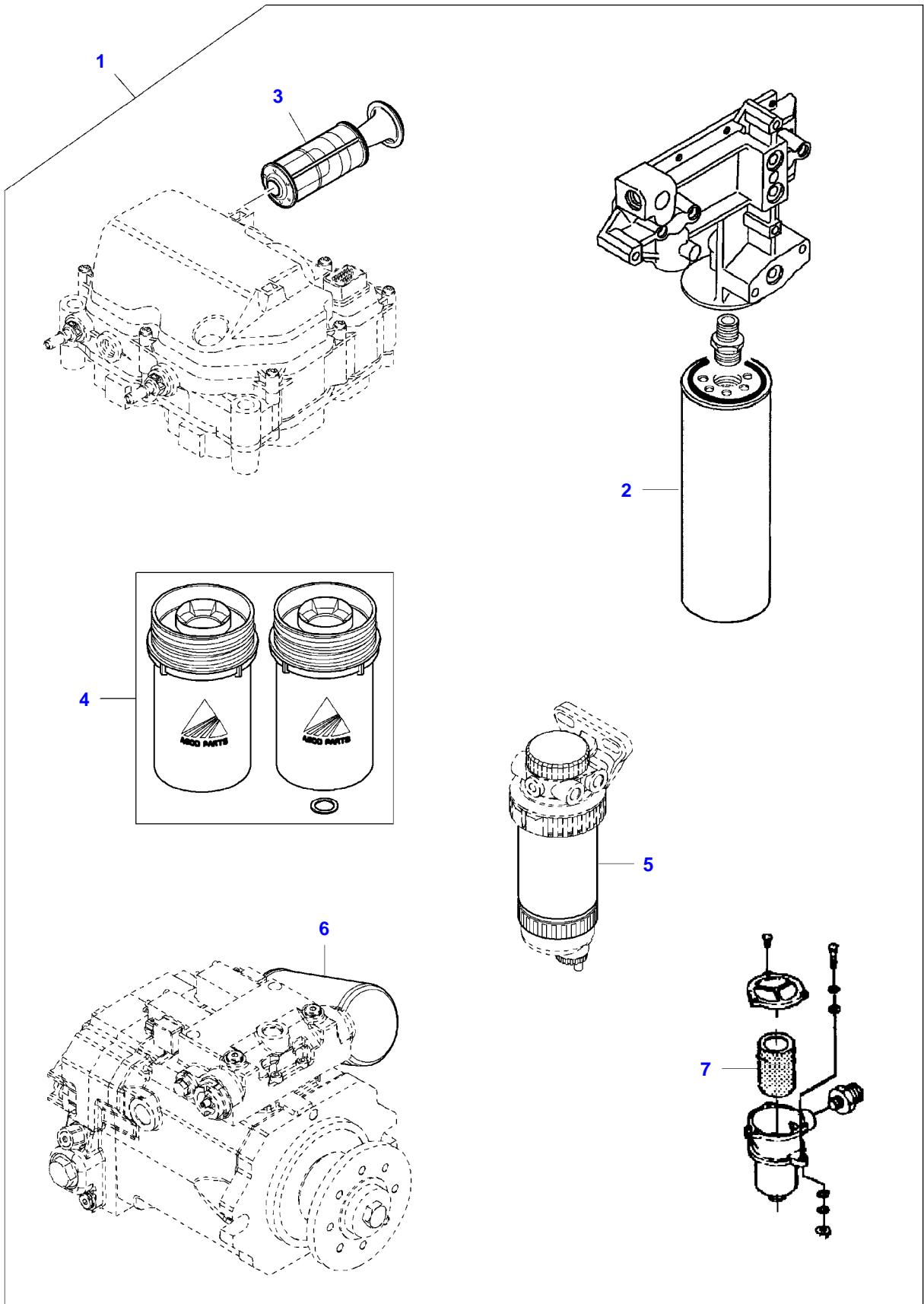
8370P (580000001-999 / 580400001-999 AL) / 8400P (581000001-999 / 581400001-999 AL)
(62276-63999) COMBINE

3906262

FILTERS

Page01-0001

Item	Part Number	Qty	Description Comments
14	D45165800	1	RETURN FILTER SEE PAGE 08-0001
15	D28980100	1	CAB FILTER SEE PAGE 10-0015
16	D28980849	1	CAB FILTER SEE PAGE 10-0015
17	D46403500	1	FUEL FILTER SEE PAGE 01-0088



Fendt

8370P (580000001-999 / 580400001-999 AL) / 8400P (581000001-999 / 581400001-999 AL)
(62276-63999) COMBINE

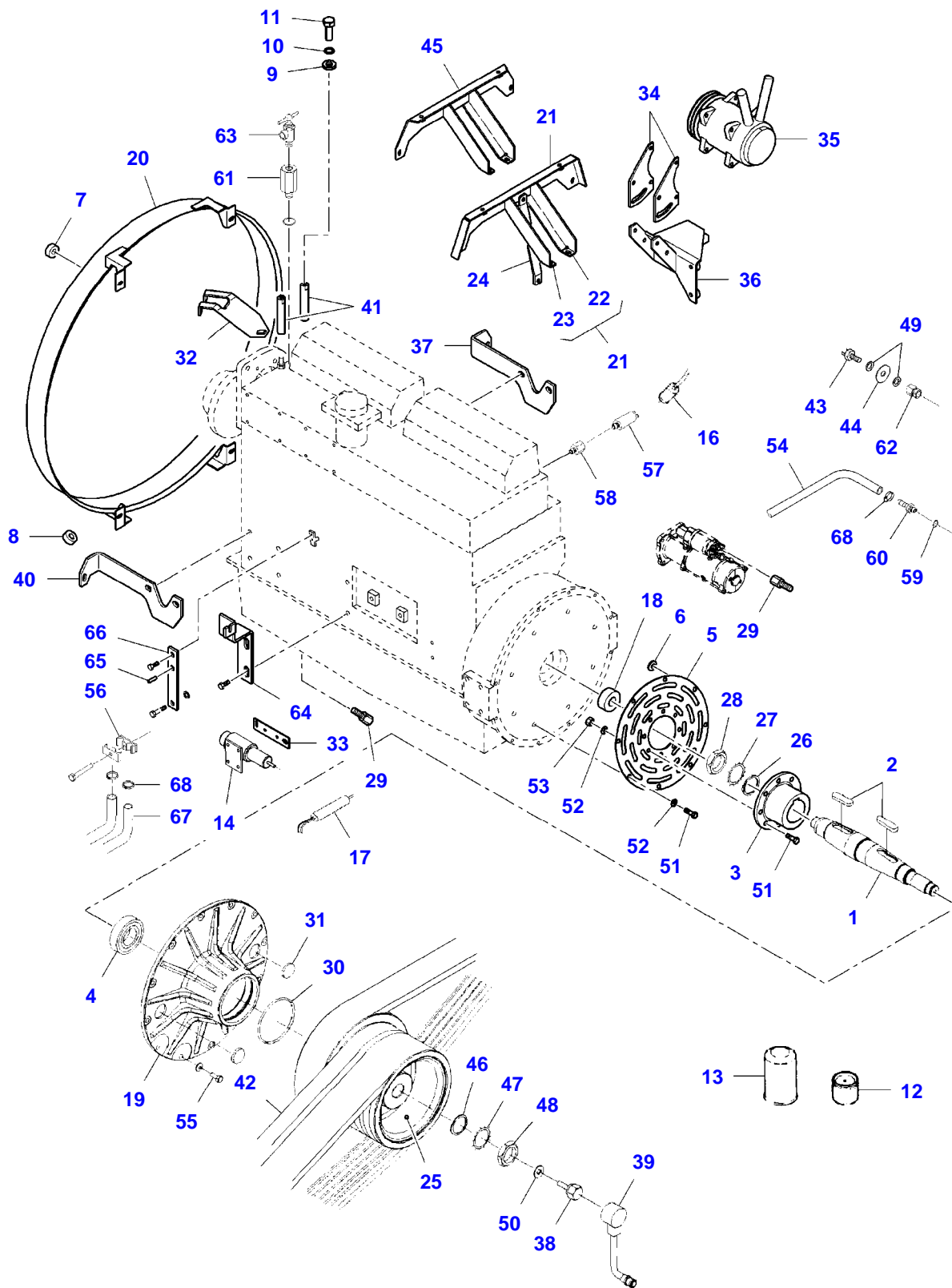
3906262

FILTERS

Page01-0002

Item	Part Number	Qty	Description Comments
			UP TO MACHINE S/N 580000025 - 8370 580400003 - 8370AL 581000013 - 8400 581400006 - 8400AL
1	LA391600165	1	KIT, FILTER
2	V836379588	1	ENGINE OIL FILTER
3	V837079423	1	DEF FILTER
4	V837079718	1	FUEL FILTER KIT
5	V836862563	1	FUEL ELEMENT
6	D45161301	1	OIL FILTER
7	D45165900	1	OIL FILTER

8370P (580000001-999 / 580400001-999 AL) / 8400P (581000001-999 / 581400001-999 AL)
(62276-63999) COMBINE
8029787-F5-1



(62276-63999) COMBINE

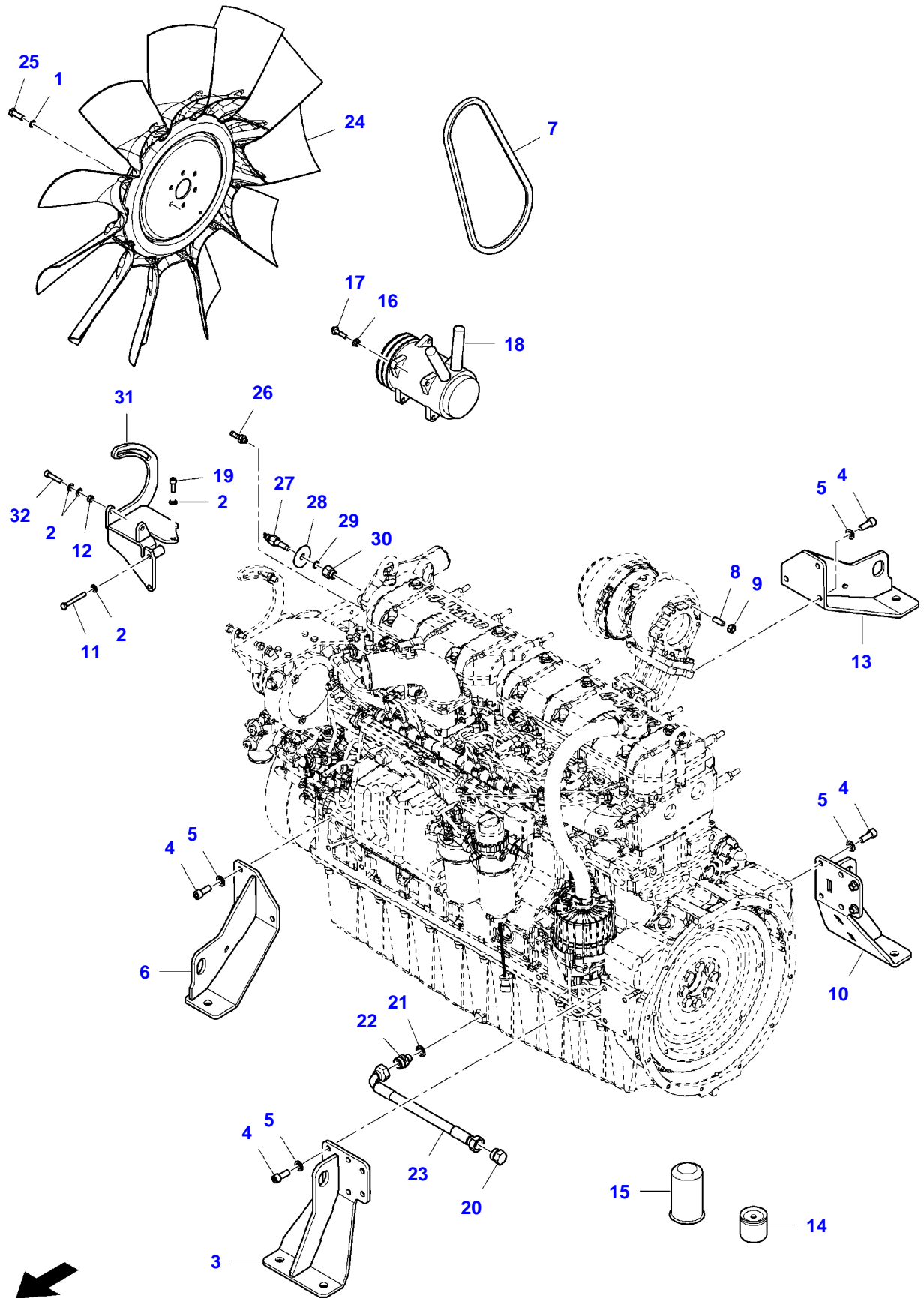
ENGINE INSTALLATION

Item	Part Number	Qty	Description Comments	Technical Specification
			UP TO MACHINE S/N 580000025 - 8370 580400003 - 8370AL 581000013 - 8400 581400006 - 8400AL	
1	D28783912	1	SHAFT [A]	
2	D43110600	1	KEY	11 X 18 X 70 MM
3	D28780615	1	HUB	
4	D41629601	1	BALL BEARING	
5	D28788738	1	PLATE	
6	D28782948	X	FLAT WASHER	?13-24 X 2,5 MM
7	D46482001	2	DAMPER	
8	D46482000	2	DAMPER	
9	D20400506	2	FLAT WASHER	?8,5-20 X 2,5 MM ZN
10	D41102100	2	SPRING WASHER	M8
11	D40404900	2	HEXAGONAL HEAD BOLT	M8 X 20 ISO 8.8 ZN
12	1896287M91	1	FUEL ELEMENT	
13	D46447400	1	OIL FILTER	
14	D46440048	1	STOP SOLENOID	
15	D46440047	1	RELAY [C][D]	
16	D28780881	1	CAP	
17	V836659691	1	RELAY	
18	D28780805	1	BUSH	
19	D28780061	1	BEARING CARRIER	
20	D28787501	1	FAN SHELL	
21	D28782912	1	BRACKET	
22	D28785239	1	SUPPORT	
23	D28785238	1	BRACKET	
24	D28787471	1	STAY	
25	D28785025	1	PULLEY	
26	D25700260	1	WASHER	
27	D28780617	1	TAB WASHER	
28	D25700322	1	NUT	M50 (1.5) ZN
29	D28761073	3	THREADED PART	
30	D45470800	1	O RING	
31	D45746700	2	PLUG	
32	D28788591	1	PLATE	
33	D28788542	1	PLATE	
34	D28785046	2	BRACKET	
35	D45080062	1	COMPRESSOR	
36	D28273854	1	CONSOLE	
37	D28787262	1	BRACKET	
38	D28780516	1	INDUCTIVE SENSOR	
39	D28780514	1	SENSOR	
40	D28787261	1	BRACKET	
41	D28785226	2	EXTENSION	
42	D41978100	1	V BELT	L = 2965 MM
43	D44900617	1	SENSOR	
44	D28780947	1	WASHER	?14-52 X 1,5 MM
45	D28785230	1	BRACKET	
46	D28730018	1	WASHER	?46-75 X 2 MM
47	D28710736	1	LOCK WASHER	
48	D28710073	1	NUT	M45 (1.5)
49	D45201600	2	PACKING	
50	D20400416	1	FLAT WASHER	?10,5-30 X 2,5 MM
51	3009492X1	X	HEXAGONAL HEAD BOLT	M10 X 25 (1.5) ISO 8.8 ZN
52	D41112500	X	SPRING WASHER	?8,2-16 X 0,6 MM
53	339402X1	8	HEX NUT	M10 (1.5) ISO 8 ZN
54	D28782175	1	FUEL HOSE CUT TO REQUIRED LENGTH	L = 5000 MM
55	3009493X1	12	HEXAGONAL HEAD BOLT	M10 X 30 (1.5) ISO 8.8 ZN

ENGINE INSTALLATION

Item	Part Number	Qty	Description Comments	Technical Specification
56	D45736700	8	SUPPORT	
57	D44900586	1	FLUID PR.SWITCH	
58	D28786520	1	NIPPLE	
59	D45711200	1	GASKET	
60	D28785115	1	CONNECTOR	
61	D28273868	1	REDUCER	
62	D28786662	1	NIPPLE	
63	D28360189	2	TAP	
64	D28786671	1	CLAMP	
65	D28751580	1	STUD BOLT	
66	D28786794	2	LEVER	
67	D28784525	X	HOSE CUT TO REQUIRED LENGTH	L = 5000 MM
68	3000483X1	3	HOSE CLIP	?13-19 MM ZN
			[A] ORDER D28782912 + D28787471	
			[C] NOT ILLUSTRATED	
			[D] INCLUDED IN ITEM 14	

8370P (580000001-999 / 580400001-999 AL) / 8400P (581000001-999 / 581400001-999 AL)
(62276-63999) COMBINE
8029983-F5-1

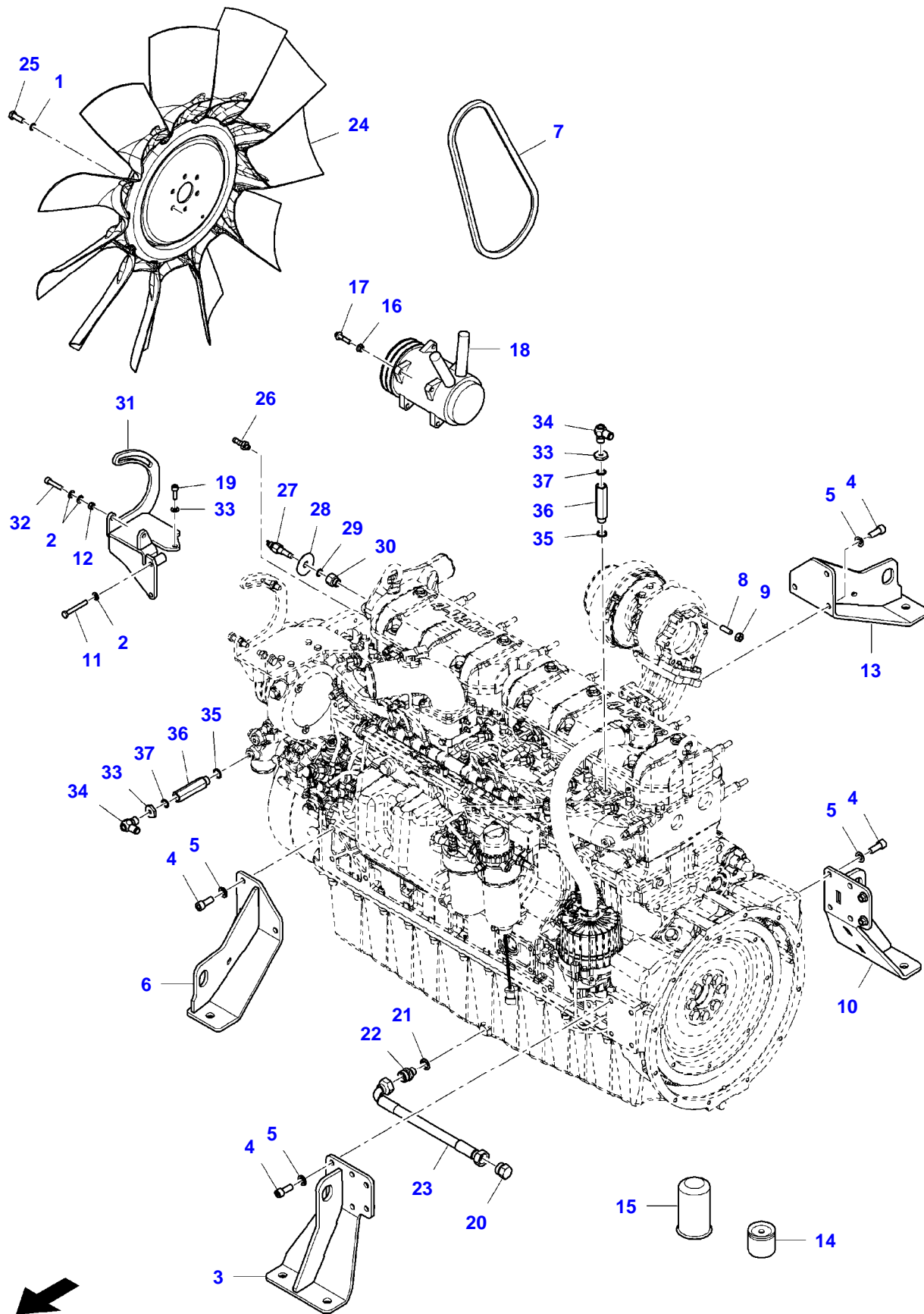


8029983-F5-1

(62276-63999) COMBINE

ENGINE INSTALLATION

Item	Part Number	Qty	Description Comments	Technical Specification
			FROM MACHINE S/N 580000026 - 8370 581400007 - 8400AL UP TO MACHINE S/N 580010035 - 8370 581400008 - 8400AL	
1	LA321806450	1	FILLER	
2	390972X1	4	FLAT WASHER	M8 ZN
3	6247421M91	1	SUPPORT	
4	1442210X1	10	HEX SOCKET HEAD CAPSCREW	M12 X 30 (1.75) ISO 8.8 ZN
5	390735X1	10	FLAT WASHER	M12 ZN
6	6247416M91	1	SUPPORT	
7	LA340433138	1	BELT	L = 1257 MM
8	3014493X1	6	SAFETY WASHER	M10
9	D45080062	1	COMPRESSOR	
10	6247420M91	1	SUPPORT	
11	339159X1	1	HEXAGONAL HEAD BOLT	M8 X 65 (1.25) ISO 8.8 ZN
12	394367X1	1	HEX NYLON INSERT LOCKNUT	M8 (1.25) ISO 8 ZN
13	6247415M91	1	SUPPORT	
14	1896287M91	1	FUEL ELEMENT	
15	D46447400	1	OIL FILTER	
16	3019124X1	3	HEX FLANGE NUT	M8 (1.25) ISO 10 ZN
17	3009196X1	3	HEXAGON FLANGE BOLT	M8 X 35 (1.25) ISO 10.9 ZN
18	3019564X1	2	HOSE CLIP	?16-25 X 8 MM ZN
19	LA300136355	1	FILLER	
20	LA320479650	1	PLUG	
21	LA355562230	2	SEALING WASHER	?22,5-28,5 X 3 MM
22	LA300128295	1	PIPE UNION	M22 (1.5)
23	6248209M1	1	HYDRAULIC HOSE	L = 3441 MM
24	LA323560250	1	FAN	?800 MM
25	339451X1	6	HEXAGONAL HEAD BOLT	M10 X 30 (1.5) ISO 8.8 ZN
26	391990X1	1	HEX SOCKET HEAD CAPSCREW	M8 X 25 (1.25) ISO 10.9 ZN
27	D44900617	1	SENSOR	
28	D28780947	1	WASHER	?14-52 X 1,5 MM
29	D45201600	1	PACKING	
30	D28786662	1	NIPPLE	
31	6261576M91	1	SUPPORT	
32	391136X1	1	HEX SOCKET HEAD CAPSCREW	M8 X 40 (1.25) ISO 8.8 ZN

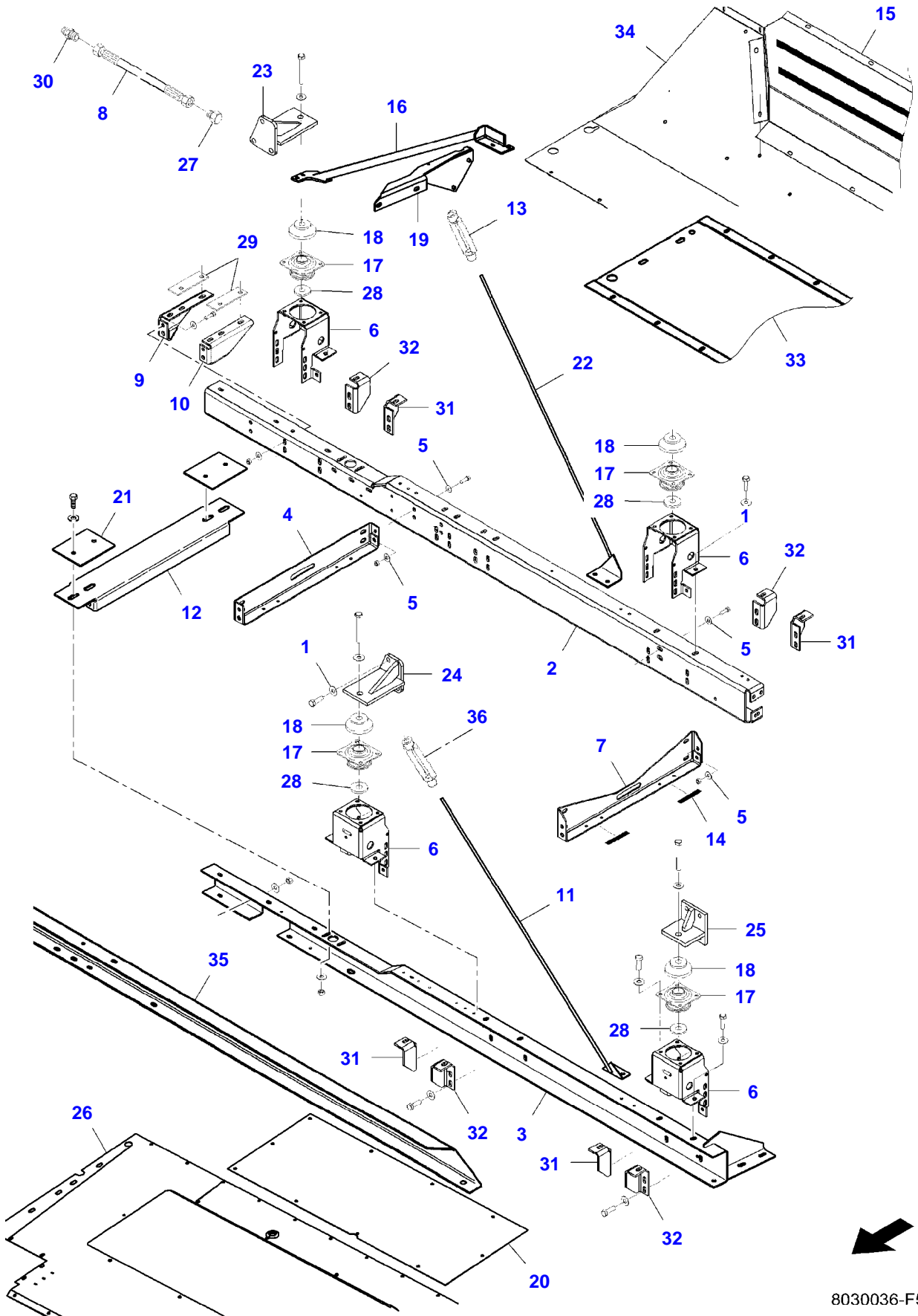


(62276-63999) COMBINE

ENGINE INSTALLATION

Item	Part Number	Qty	Description Comments	Technical Specification
			FROM MACHINE S/N 580010036 - 8370 580400004 - 8370AL 581000014 - 8400 581400009 - 8400AL	
1	LA321806450	1	FILLER	
2	390972X1	4	FLAT WASHER	M8 ZN
3	6247421M91	1	SUPPORT	
4	1442210X1	10	HEX SOCKET HEAD CAPSCREW	M12 X 30 (1.75) ISO 8.8 ZN
5	390735X1	10	FLAT WASHER	M12 ZN
6	6247416M91	1	SUPPORT	
7	LA340433138	1	BELT	L = 1257 MM
8	3014493X1	6	SAFETY WASHER	M10
9	D45080062	1	COMPRESSOR	
10	6247420M91	1	SUPPORT	
11	339159X1	1	HEXAGONAL HEAD BOLT	M8 X 65 (1.25) ISO 8.8 ZN
12	394367X1	1	HEX NYLON INSERT LOCKNUT	M8 (1.25) ISO 8 ZN
13	6247415M91	1	SUPPORT	
14	1896287M91	1	FUEL ELEMENT	
15	D46447400	1	OIL FILTER	
16	3019124X1	3	HEX FLANGE NUT	M8 (1.25) ISO 10 ZN
17	3009196X1	3	HEXAGON FLANGE BOLT	M8 X 35 (1.25) ISO 10.9 ZN
18	3019564X1	2	HOSE CLIP	?16-25 X 8 MM ZN
19	LA300136355	1	FILLER	
20	LA320479650	1	PLUG	
21	LA355562230	2	SEALING WASHER	?22,5-28,5 X 3 MM
22	LA300128295	1	PIPE UNION	M22 (1.5)
23	6248209M1	1	HYDRAULIC HOSE	L = 3441 MM
24	LA323560250	1	FAN	?800 MM
25	339451X1	6	HEXAGONAL HEAD BOLT	M10 X 30 (1.5) ISO 8.8 ZN
26	391990X1	1	HEX SOCKET HEAD CAPSCREW	M8 X 25 (1.25) ISO 10.9 ZN
27	D44900617	1	SENSOR	
28	D28780947	1	WASHER	?14-52 X 1,5 MM
29	D45201600	1	PACKING	
30	D28786662	1	NIPPLE	
31	6261576M91	1	SUPPORT	
32	391136X1	1	HEX SOCKET HEAD CAPSCREW	M8 X 40 (1.25) ISO 8.8 ZN
33	7058829M1	2	NUT	
34	D28360189	2	TAP	
35	1442936X1	2	SEALING RING	?18-22 X 1,5 MM CU PL
36	D28273868	2	REDUCER	
37	LA14457281	2	O-RING	?2,62 X 15,54 MM

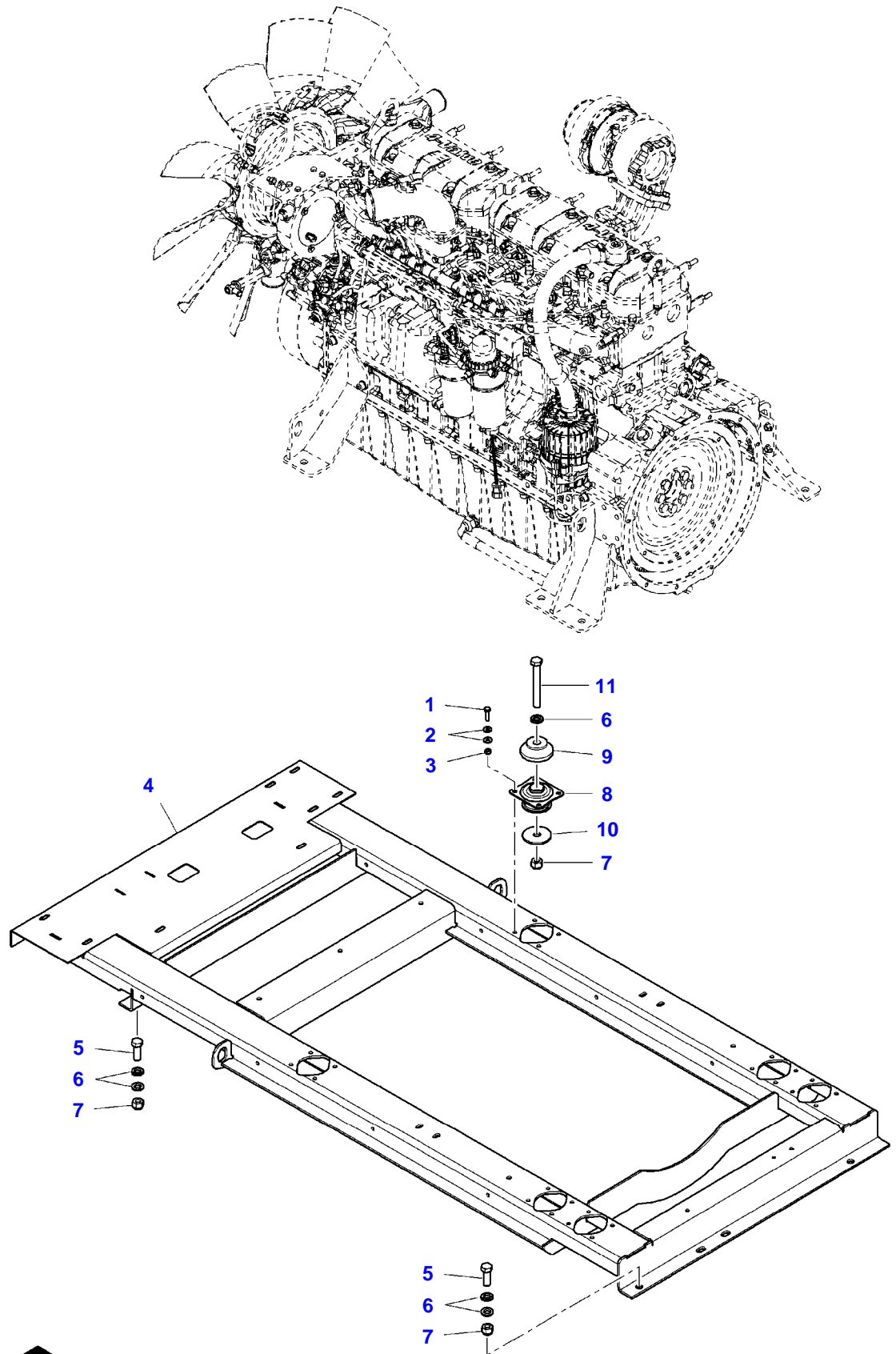
8370P (580000001-999 / 580400001-999 AL) / 8400P (581000001-999 / 581400001-999 AL)
(62276-63999) COMBINE
8030036-F5-1



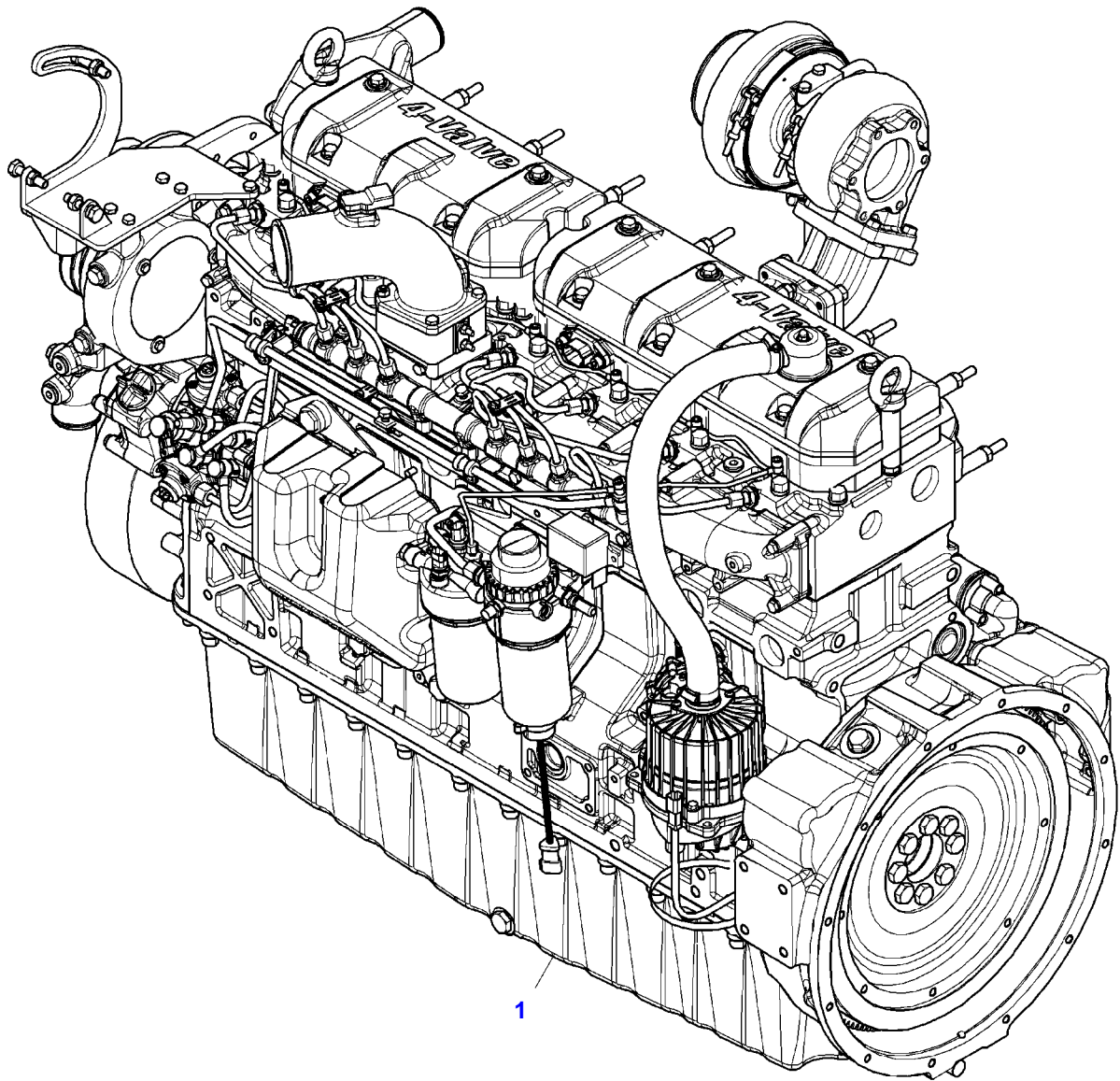
(62276-63999) COMBINE

ENGINE INSTALLATION - ENGINE BRACKET

Item	Part Number	Qty	Description Comments	Technical Specification
			UP TO MACHINE S/N 580000025 - 8370 580400003 - 8370AL 581000013 - 8400 581400006 - 8400AL	
1	D20400426	X	FLAT WASHER	?13-24 X 2,5 MM
2	D28785606	1	RIGHT HAND MEMBER	
3	D28787478	1	LEFT HAND MEMBER	
4	D28784172	1	CROSSMEMBER	
5	D20400473	X	FLAT WASHER	?10,5-28 X 4 MM
6	D28784171	4	SUPPORT	
7	D28785043	1	STAY	
8	D45130033	1	HYDRAULIC HOSE	L = 3050 MM
9	D28784252	1	SUPPORT, RIGHT HAND	
10	D28784253	1	SUPPORT, LEFT HAND	
11	D28273861	1	ROD	
12	D28787270	1	BRACKET	
13	D41035100	1	TENSIONER	
14	D28782178	X	SEAL SECTION	L = 5000 MM
15	D28181837	1	SUPPORT	
16	D28787505	1	TUBE	
17	D46406600	4	DAMPER	
18	D28781296	4	WASHER	
19	D28787504	1	BRACKET	
20	D28887251	1	DOOR	
21	D28788343	2	PLATE	
22	D28273871	1	ROD	
23	D28785210	1	BRACKET	
24	D28785210	1	BRACKET	
25	D28770293	1	SUSPENSION	
26	D28887250	1	ROOF	
27	D28781170	1	PLUG	
28	D28781297	4	SPACER	?18-70 X 6 MM
29	D28781111	2	SHIM	130 X 40 X 4 MM
30	D45251100	1	UNION	
31	D28785166	4	PLATE	
32	D28785167	4	PLATE	
33	D28185279	1	ROOF	
34	D28181850	1	ROOF	
35	D28786491	1	SUPPORT	
36	D41035100	1	TENSIONER	

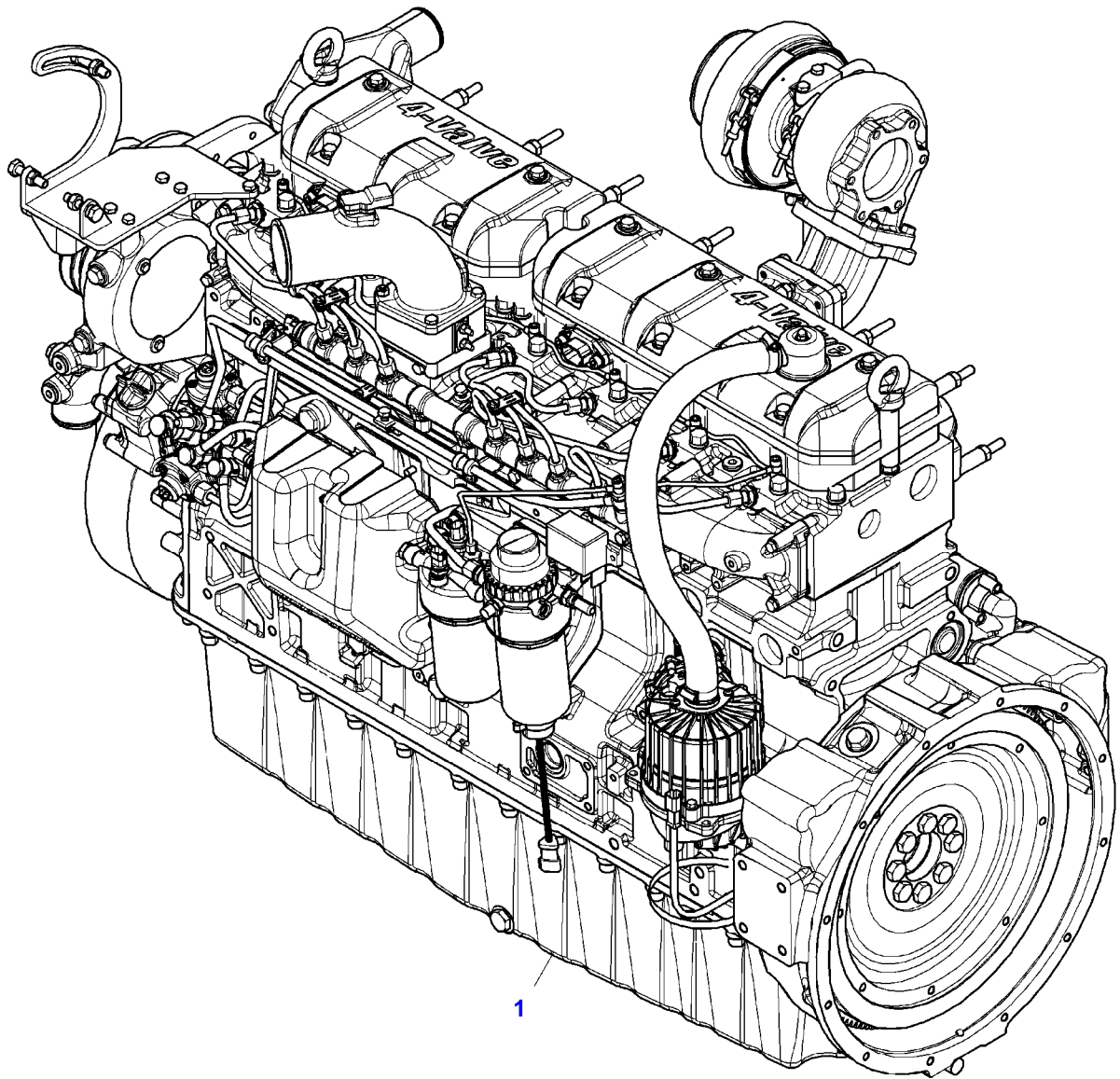


Item	Part Number	Qty	Description Comments	Technical Specification
			FROM MACHINE S/N 580000026 - 8370 580400004 - 8370AL 581000014 - 8400 581400007 - 8400AL	
1	339337X1	24	HEXAGONAL HEAD BOLT	M8 X 30 (1.25) ISO 8.8 ZN
2	339056X1	48	FLAT WASHER	?8,5-20 X 2,5 MM ZN
3	394367X1	24	HEX NYLON INSERT LOCKNUT	M8 (1.25) ISO 8 ZN
4	7061046M91	1	SUPPORT	
5	391284X1	4	HEXAGONAL HEAD BOLT	M16 X 45 (2.0) ISO 8.8 ZN
6	3019575X1	14	FLAT WASHER	?17-30 X 5 MM
7	1442739X1	10	HEX LOCKNUT	M16 (2.0) ISO 8 ZN
8	D46406600	6	DAMPER	
9	D28781296	6	WASHER	
10	D28781297	6	SPACER	?18-70 X 6 MM
11	1442740X1	6	HEXAGONAL HEAD BOLT	M16 X 130 ISO 8.8 ZN



ENGINE ASSEMBLIES

Item	Part Number	Qty	Description Comments	Technical Specification
			UP TO ENGINE S/N X29717	
1	V835276178	1	ENGINE 8370	84 CTA-4V
	V835276179	1	ENGINE 8400	84 CTA-4V
2	V865276178X	1	SHORT BLOCK ENGINE 8370 [A]	84 CTA-4V
	V865276179X	1	SHORT BLOCK ENGINE 8400 [A]	84 CTA-4V
3	V865276178V	1	LONG BLOCK ENGINE 8370 [A]	84 CTA-4V
	V865276179V	1	LONG BLOCK ENGINE 8400 [A] [A] NOT ILLUSTRATED	84 CTA-4V



ENGINE ASSEMBLIES

Item	Part Number	Qty	Description Comments	Technical Specification
			FROM ENGINE S/N X29718	
1	V835276524	1	ENGINE 8370	84 AWI
	V835276747	1	ENGINE 8400	84 AWI
2	V865276524X	1	SHORT BLOCK ENGINE 8370 [A]	84 AWI
	V865276747X	1	SHORT BLOCK ENGINE 8400 [A]	84 AWI
3	V865276524V	1	LONG BLOCK ENGINE 8370 [A]	84 AWI
	V865276747V	1	LONG BLOCK ENGINE 8400 [A] [A] NOT ILLUSTRATED	84 AWI

(62276-63999) COMBINE

CYLINDER BLOCK

Item	Part Number	Qty	Description Comments
			UP TO ENGINE S/N U19999
1	V836873095	1	CYLINDER BLOCK
2	V836866069	1	CAMSHAFT BEARING BUSH
	V836866036	X	CAMSHAFT BEARING BUSH
3	V835329030	14	HEX CAP SCREW
4	V836214478	24	GUIDE SLEEVE
5	V640016018	1	PLUG
6	V640016040	5	PLUG
7	V836852460	2	CAMSHAFT BEARING BUSH
8	V836852459	1	CAMSHAFT BEARING BUSH
9	V836852461	1	CAMSHAFT BEARING BUSH
10	V640016012	1	PLUG
11	V836867048	6	LINER
	V836867050	X	LINER
12	V836855446	12	CYLINDER LINER O-RING [A]
13	V836855447	6	CYLINDER LINER O-RING [A]
14	V640016016	4	PLUG
15	V836852744	1	PLUG
16	V837069057	1	PLUG
17	V640325110	5	PLUG
18	V615871014	5	SEALING WASHER [A]
19	V614601524	1	O-RING
20	V528801380	5	HEX CAP SCREW
21	V836855678	1	COVER
22	V836322852	1	GASKET [A]
23	V836859153	1	THREADED BUSH
24	V837070021	6	PIPE
25	V836338601	6	PRESSURE VALVE
26	V836855629	1	FLANGE
27	V528801362	5	HEX CAP SCREW
28	V837070147	1	ECU BRACKET
29	V837069052	6	RUBBER BUSH
30	V837069056	3	SCREW
31	V836119079	1	PLUG
32	V836664377	1	COCK
33	V615881824	1	SEALING WASHER [A]
34	V615881620	1	SEALING WASHER [A]
35	V836866957	1	COVER
36	V590253388	6	SCREW
37	V581804600	4	HEX SOCKET SCREW
38	V836855554	1	GASKET [A]
39	V529801102	8	HEX CAP SCREW
40	V837070197	2	SCREW
41	V615881420	1	SEALING WASHER [A]
42	V640325014	1	PLUG
43	V500050840	1	FLAT WASHER
44	V546801360	1	STUD BOLT
45	V546801400	1	STUD BOLT
46	V837070285	1	COVER
47	V837070286	1	COVER
48	V500150642	5	WASHER
49	V581804182	5	HEX SOCKET SCREW
50	V836866958	1	GASKET [A]

Fendt

8370P (580000001-999 / 580400001-999 AL) / 8400P (581000001-999 / 581400001-999 AL)
(62276-63999) COMBINE

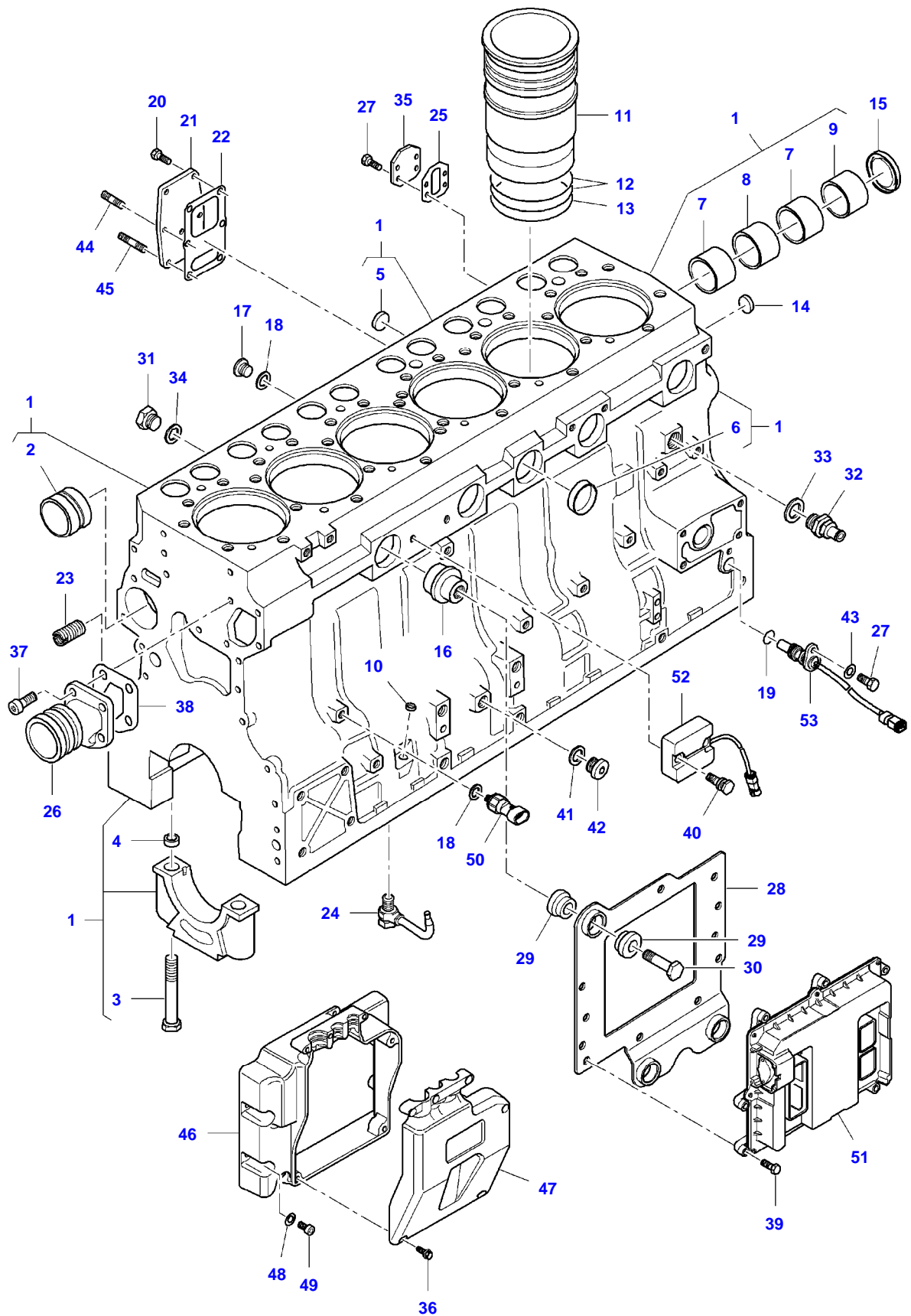
3906262

CYLINDER BLOCK

Page01-0010

Item	Part Number	Qty	Description Comments
51		X	SENSOR SEE PAGE 01-0053
52		X	MODULE SEE PAGE 01-0053
53		X	SPEED SENSOR SEE PAGE 01-0053
54		X	CONTROL UNIT SEE PAGE 01-0053 [A] INCLUDED IN KIT V837062628

8370P (580000001-999 / 580400001-999 AL) / 8400P (581000001-999 / 581400001-999 AL)
(62276-63999) COMBINE
8020544-F5-1



8020544-F5-1

(62276-63999) COMBINE

CYLINDER BLOCK

Item	Part Number	Qty	Description Comments
			FROM ENGINE S/N U20000 UP TO ENGINE S/N X29717
1	V836873095	1	CYLINDER BLOCK
2	V836866069	1	CAMSHAFT BEARING BUSH
	V836866036	X	CAMSHAFT BEARING BUSH
3	V835329030	14	HEX CAP SCREW
4	V836214478	24	GUIDE SLEEVE
5	V640016018	1	PLUG
6	V640016040	5	PLUG
7	V836852460	2	CAMSHAFT BEARING BUSH
8	V836852459	1	CAMSHAFT BEARING BUSH
9	V836852461	1	CAMSHAFT BEARING BUSH
10	V640016012	1	PLUG
11	V836867048	6	LINER
	V836867050	X	LINER
12	V836855446	12	CYLINDER LINER O-RING [A]
13	V836855447	6	CYLINDER LINER O-RING [A]
14	V640016016	4	PLUG
15	V836852744	1	PLUG
16	V837069057	1	PLUG
17	V640325110	5	PLUG
18	V615871014	5	SEALING WASHER [A]
19	V614601524	1	O-RING
20	V528801380	5	HEX CAP SCREW
21	V836855678	1	COVER
22	V836322852	1	GASKET [A]
23	V836859153	1	THREADED BUSH
24	V837074224	6	PISTON COOLING JET R / R. OLD NOT INTERCHANGEABLE WITH NEW V837070021
25	V836866958	1	GASKET [A]
26	V836855629	1	FLANGE
27	V528801362	5	HEX CAP SCREW
28	V837070147	1	ECU BRACKET
29	V837074327	6	RUBBER BUSH
30	V837069056	3	SCREW
31	V836119079	1	PLUG
32	V836664377	1	COCK
33	V615881824	1	SEALING WASHER [A]
34	V615881620	1	SEALING WASHER [A]
35	V836866957	1	COVER
36	V590253388	6	SCREW
37	V581804600	4	HEX SOCKET SCREW
38	V836855554	1	GASKET [A]
39	V529801102	8	HEX CAP SCREW
40	V837070197	2	SCREW
41	V615881420	1	SEALING WASHER [A]
42	V640325014	1	PLUG
43	V500050840	1	FLAT WASHER
44	V546801360	1	STUD BOLT
45	V546801400	1	STUD BOLT
46	V837070285	1	COVER

Fendt

8370P (580000001-999 / 580400001-999 AL) / 8400P (581000001-999 / 581400001-999 AL)
(62276-63999) COMBINE

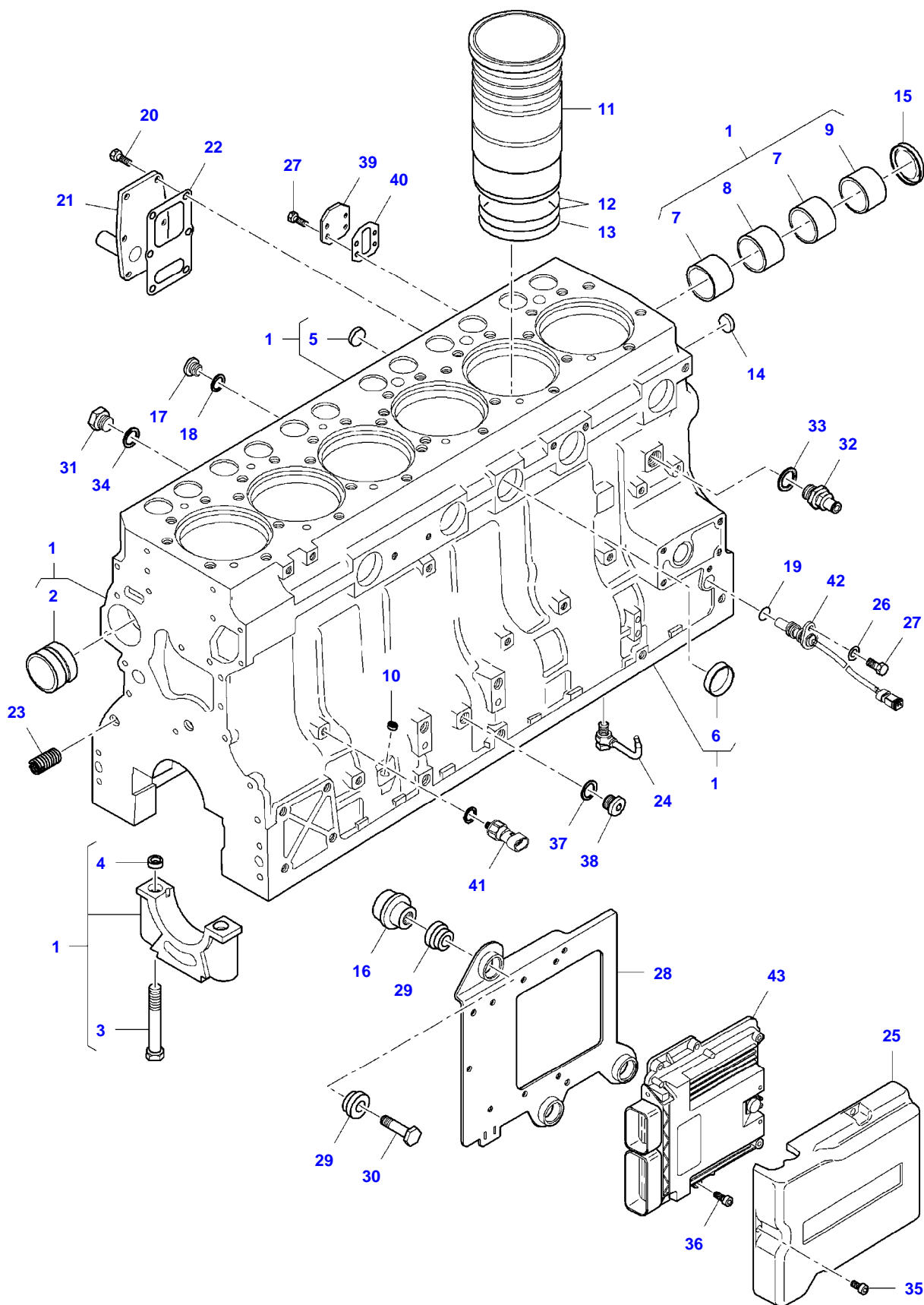
3906262

CYLINDER BLOCK

Page01-0011

Item	Part Number	Qty	Description Comments
47	V837070286	1	COVER
48	V500150642	5	WASHER
49	V581804182	5	HEX SOCKET SCREW
50		X	SENSOR SEE PAGE 01-0053
51		X	CONTROL UNIT SEE PAGE 01-0053
52		X	MODULE SEE PAGE 01-0053
53		X	SPEED SENSOR SEE PAGE 01-0053 [A] INCLUDED IN KIT V837062628

8370P (580000001-999 / 580400001-999 AL) / 8400P (581000001-999 / 581400001-999 AL)
(62276-63999) COMBINE
8024717-F5-1



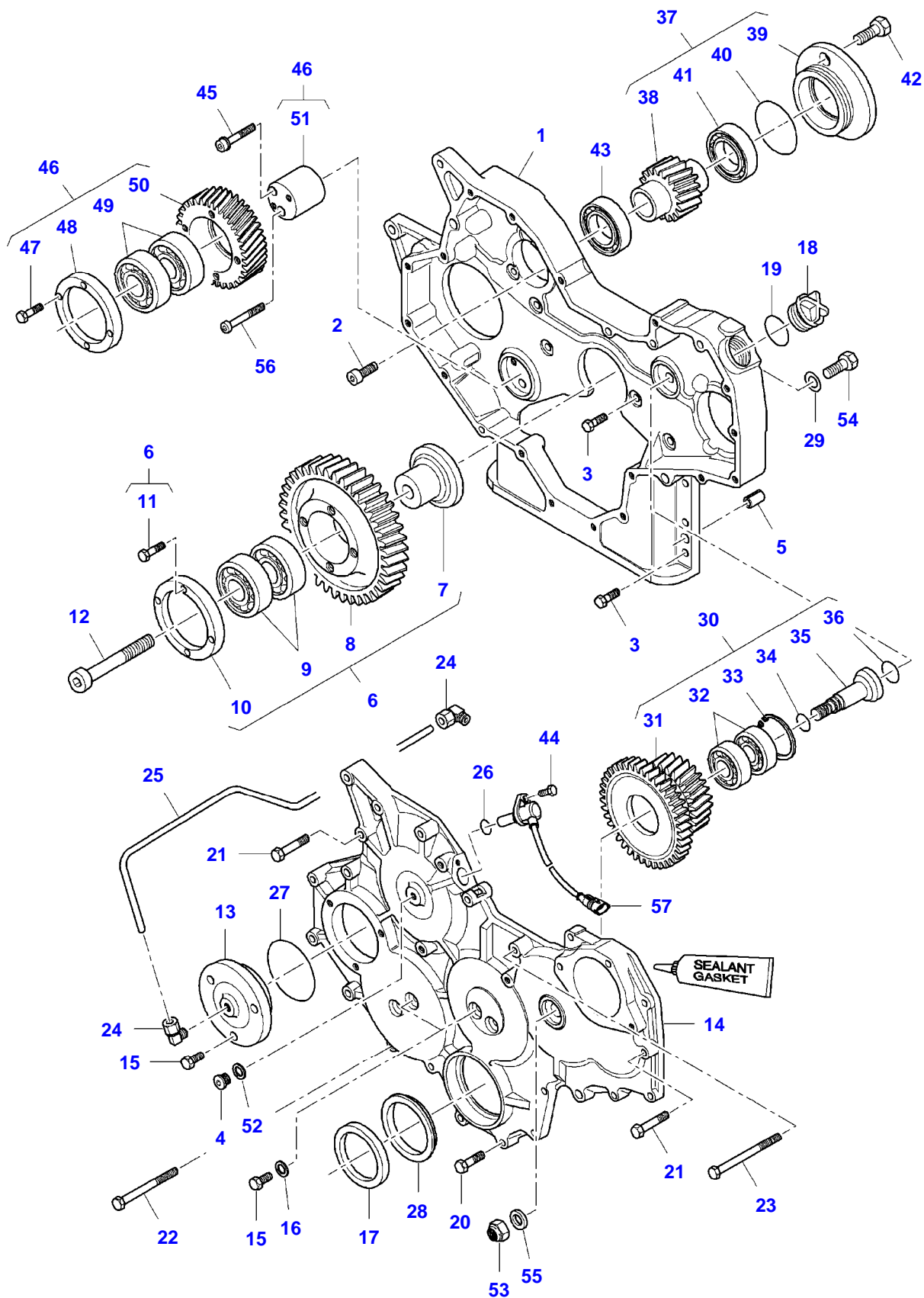
8024717-F5-1

(62276-63999) COMBINE

CYLINDER BLOCK

Item	Part Number	Qty	Description Comments
			FROM ENGINE S/N X29718
1	V836873095	1	CYLINDER BLOCK
2	V836866069	1	CAMSHAFT BEARING BUSH
	V836866036	X	CAMSHAFT BEARING BUSH
3	V835329030	14	HEX CAP SCREW
4	V836214478	24	GUIDE SLEEVE
5	V640016018	1	PLUG
6	V640016040	4	PLUG
7	V836852460	2	CAMSHAFT BEARING BUSH
8	V836852459	1	CAMSHAFT BEARING BUSH
9	V836852461	1	CAMSHAFT BEARING BUSH
10	V640016012	1	PLUG
11	V836867048	6	LINER
	V836867050	X	LINER THICKNESS
12	V836855446	12	CYLINDER LINER O-RING [A]
13	V836855447	6	CYLINDER LINER O-RING [A]
14	V640016016	2	PLUG
15	V836852744	1	PLUG
16	V837069057	1	PLUG
17	V640325110	5	PLUG
18	V615871014	5	SEALING WASHER [A]
19	V614601524	1	O-RING
20	V528801380	6	HEX CAP SCREW
21	V837074414	1	COVER
22	V836322852	1	GASKET [A]
23	V836859153	1	THREADED BUSH
24	V837074224	6	PISTON COOLING JET
25	V837073901	1	COVER
26	V500050840	1	FLAT WASHER
27	V528801362	5	HEX CAP SCREW
28	V837073900	1	ECU BRACKET
29	V837084129	6	DAMPER
30	V837069056	3	SCREW
31	V836119079	1	PLUG
32	V836664377	1	COCK
33	V615881824	1	SEALING WASHER [A]
34	V615881620	1	SEALING WASHER [A]
35	V581804182	3	HEX SOCKET SCREW
36	V581804202	4	HEX SOCKET SCREW
37	V615881420	1	SEALING WASHER [A]
38	V640325014	1	PLUG
39	V836866957	1	COVER
40	V836866958	1	GASKET [A]
41		X	OIL PRESS SWITCH SEE PAGE 01-0055
42		X	SPEED SENSOR SEE PAGE 01-0055
43		X	CONTROL UNIT SEE PAGE 01-0055 [A] INCLUDED IN KIT V837079464

8370P (580000001-999 / 580400001-999 AL) / 8400P (581000001-999 / 581400001-999 AL)
 (62276-63999) COMBINE
 8016869-F5-1



(62276-63999) COMBINE

TIMING GEARS AND HOUSING

Item	Part Number	Qty	Description Comments
			UP TO ENGINE S/N X29717
1	V837070107	1	TIMING GEAR CASE
2	V581804620	2	HEX SOCKET SCREW
3	V528801400	12	HEX CAP SCREW
4	V640325110	1	PLUG
5	V598359850	2	PIN
6	V837070001	1	KIT, GEAR
7	V836855562	1	SHAFT
8	V837070000	1	IDLER GEAR
9	V610072109	2	BALL BEARING
10	V836855565	1	RING
11	V528901400	6	HEX CAP SCREW
12	V581705910	1	HEX SOCKET SCREW
13	V837070179	1	COVER
14	V837070108	1	GEAR HOUSING FRONT COVER
15	V528801380	7	HEX CAP SCREW
16	V615870814	4	SEALING WASHER [A]
17	V836840883	1	CRANKSHAFT SEAL [A]
18	V836017927	1	CAP
19	V614603540	1	O-RING [A]
20	V528801410	10	HEX CAP SCREW
21	V529801440	9	HEX CAP SCREW
22	V529801510	1	HEX CAP SCREW
23	V529801540	1	HEX CAP SCREW
24	V641166006	2	ELBOW FITTING
25	V836867775	1	OIL PIPE
26	V614601718	1	O-RING
27	V614606825	1	O-RING [A]
28	V836855636	1	SHIELD
29	V500951200	1	SPRING WASHER
30	V837070072	1	DUAL GEAR WHEEL
31	V837070113	1	DUAL GEAR WHEEL
32	V610073040	2	BALL BEARING
33	V617330052	1	LOCK RING
34	V614601324	1	O-RING [A]
35	V837069069	1	SHAFT
36	V614601924	1	O-RING [A]
37	V837070137	1	DRIVE
38	V837070005	1	HYDRAULIC PUMP GEAR WHEEL
39	V836855651	1	FLANGE
40	V614609430	1	O-RING [A]
41	V610060096	1	BALL BEARING
42	V528802602	2	HEX CAP SCREW
43	V610060096	1	BALL BEARING
44	V528801062	1	HEX CAP SCREW
45	V580704670	1	HEX SOCKET SCREW
46	V837070004	1	IDLER GEAR
47	V528901400	4	HEX CAP SCREW
48	V836855565	1	RING
49	V610072109	2	BALL BEARING
50	V837070002	1	IDLER GEAR
51	V837070003	1	SHAFT
52	V615571014	1	SEALING WASHER
53	V504601400	1	NUT
54	V581705420	1	HEX SOCKET SCREW

Fendt

8370P (580000001-999 / 580400001-999 AL) / 8400P (581000001-999 / 581400001-999 AL)
(62276-63999) COMBINE

3906262

TIMING GEARS AND HOUSING

Page01-0013

Item	Part Number	Qty	Description Comments
55	V837069070	1	WASHER
56	V581704710	1	HEX SOCKET SCREW
57		X	SPEED SENSOR SEE PAGE 01-0053 [A] INCLUDED IN KIT V837062628



Suggest:

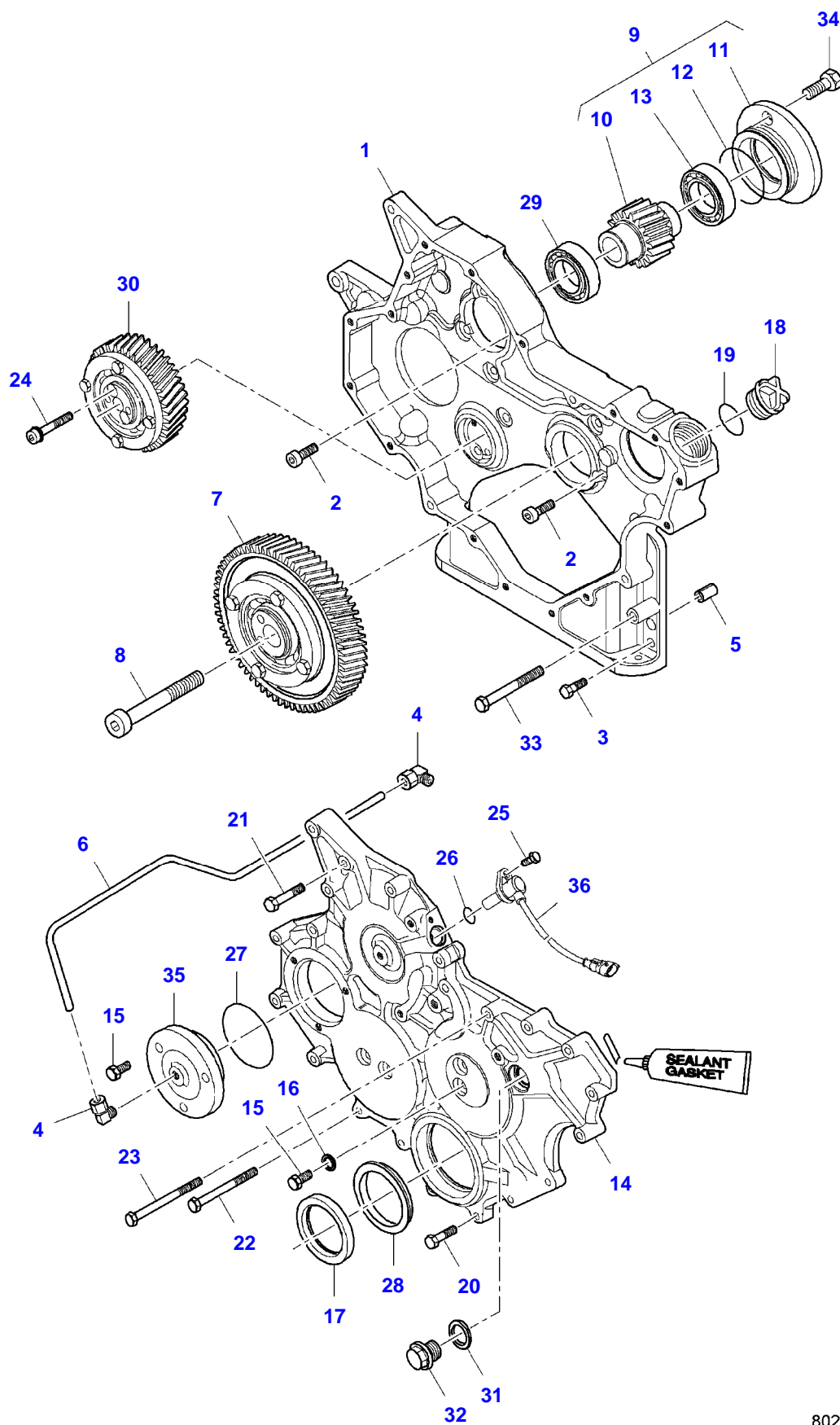
For more complete manuals. Please go to the home page.

<https://www.ebooklibonline.com>

If the above button click is invalid. Please download this document first, and then click the above link to download the complete manual.

Thank you so much for reading

8370P (580000001-999 / 580400001-999 AL) / 8400P (581000001-999 / 581400001-999 AL)
(62276-63999) COMBINE
8024917-F5-1



(62276-63999) COMBINE

TIMING GEARS AND HOUSING

Item	Part Number	Qty	Description Comments	Technical Specification
			FROM ENGINE S/N X29718	
1	V837073615	1	TIMING GEAR CASE	
2	V581804602	11	HEX SOCKET SCREW	
3	VHA6324	3	SCREW	M8 X 25 ISO 8.8
4	VGS9012	2	FITTING	M10 (1.0)
5	VJE8802	2	PIN	
6	V836867775	1	OIL PIPE	
7	V837073583	1	IDLER GEAR	
8	V581705910	1	HEX SOCKET SCREW	
9	V837070137	1	DRIVE	
10	V837070005	1	HYDRAULIC PUMP GEAR WHEEL	
11	V836855651	1	FLANGE	
12	V614609430	1	O-RING	
13	VLA1014	1	BALL BEARING	?45-75 X 16 MM
14	V837073616	1	GEAR HOUSING FRONT COVER	
15	V528801382	7	HEX CAP SCREW	
16	V615870814	4	SEALING WASHER	
			[A]	
17	V836840883	1	CRANKSHAFT SEAL	
			[A]	
18	V836017927	1	CAP	
19	V614603540	1	O-RING	
			[A]	
20	VHA6325	5	SCREW	M8 X 30 ISO 8.8
21	V529801440	14	HEX CAP SCREW	
22	VHA8330	2	SCREW	M8 X 80 ISO 8.8
23	V529801540	1	HEX CAP SCREW	
24	V580704670	2	HEX SOCKET SCREW	
25	VHA6313	1	SCREW	M6 X 16 ISO 8.8
26	V614601718	1	O-RING	
27	V614606825	1	O-RING	
			[A]	
28	V836855636	1	SHIELD	
29	VLA1014	1	BALL BEARING	?45-75 X 16 MM
30	V837073256	1	IDLER GEAR	
31	V615882227	1	SEALING WASHER	
32	V640045022	1	PLUG	
33	V529801470	1	HEX CAP SCREW	
34	V528802602	2	HEX CAP SCREW	
35	V837070179	1	COVER	
36		X		
			SPEED SENSOR SEE PAGE 01-0055	
			[A] INCLUDED IN KIT V837079464	

<https://www.ebooklibonline.com>

Hello dear friend!

Thank you very much for reading.

Enter the link into your browser.

The full manual is available for immediate download.

<https://www.ebooklibonline.com>