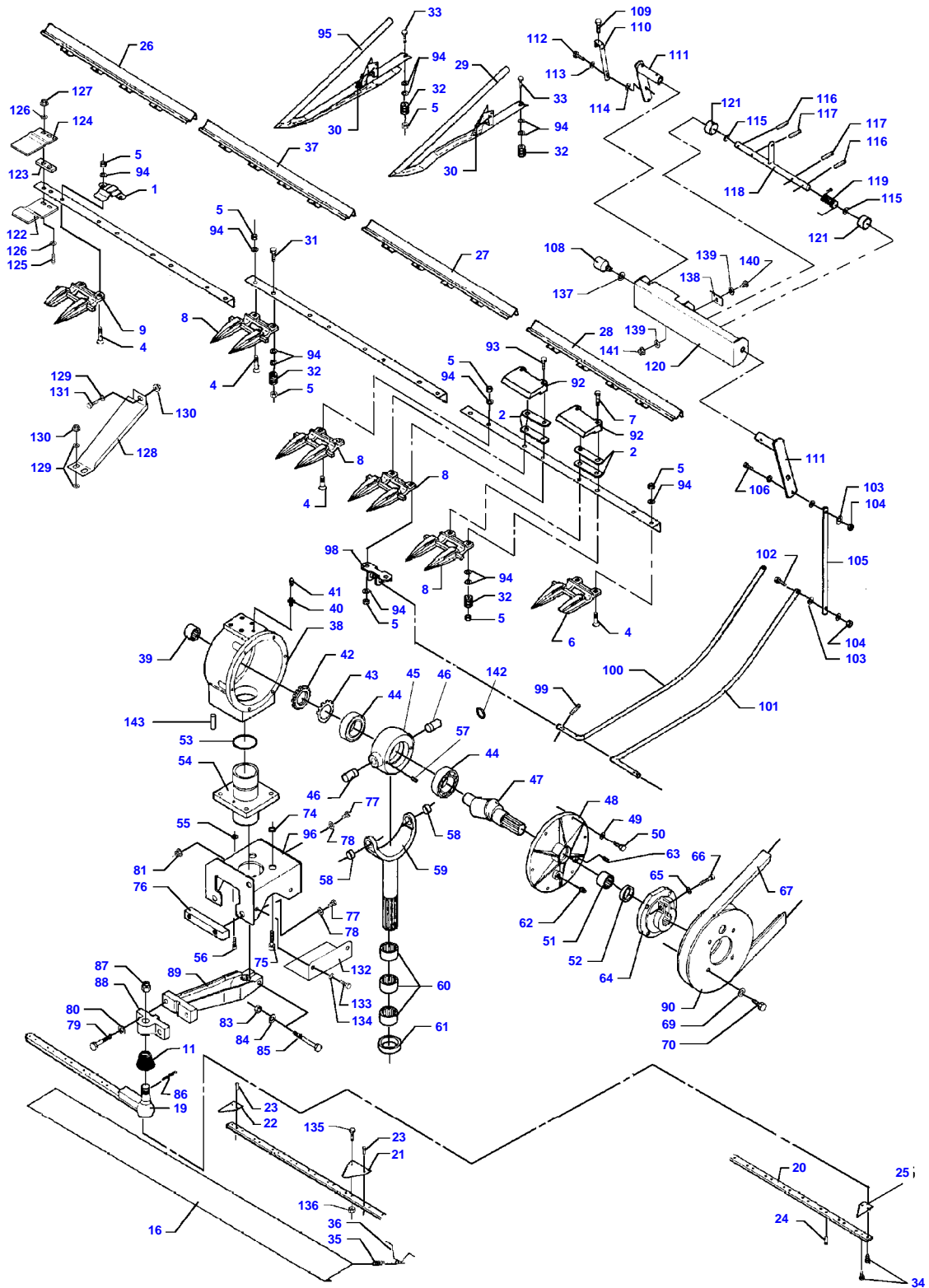


Page Title	Page Number
Knives And Fingers - Freeflow - 20-22'	001-0001
Table Auger Right Hand - Freeflow - 20-22'	001-0002
Table Auger Left Hand - Freeflow - 20-22'	001-0003
Guarding And Transmissions - Freeflow - 20-22'	001-0004
Table Housing And Guarding - Freeflow - 20-22'	001-0005
Knives And Fingers - Powerflow - 20-22'	001-0006
Table Auger Right Hand - Powerflow - 18'-20'-22'	001-0007
Tabel Auger Left Hand - Powerflow - 20-22'	001-0008
Guarding And Transmissions - Powerflow - 20'	001-0009
Table Housing And Guarding - Powerflow - 20-22' - From 942482	001-0010
Table Housing And Guarding - Powerflow - 20-22' Up To 942481	001-0011
Knives And Fingers - Powerflow - 25'	001-0012
Feeder Drum Right Hand - Powerflow- - 25'	001-0013
Feeder Drum Left Hand - Powerflow - 25'	001-0014
Guarding And Transmissions - Powerflow - 22' - 25'	001-0015
Table Housing And Guarding - Powerflow - 25' - From 942482	001-0016
Table Housing And Guarding - Powerflow - 25' - Up To 942481	001-0017
Powerflow Band - Rear - 18'-20'-22'	001-0018
Powerflow Band - Front - 18'-20'-22'	001-0019
Powerflow Band - Rear - 25'	001-0020
Powerflow Band - Front - 25'	001-0021
Oilseed Rape Auger - From Serial No 942482	001-0022
Oilseed Rape Auger - Up To 942481	001-0023
Straw Dividers - FROM 61365 - UP TO 62017	001-0024
Straw Dividers - FROM 62018	001-0025
Straw Dividers - UP TO 61364	001-0026
Table Trailer	001-0027
Table Trailer - UP TO NO. 7374033	001-0028
Table Trailer - With Traylor Braking - World Wide Hook Up - From Serial No 942482	001-0029
Lightening Bracket	001-0030
Electric Vertical Knife	001-0031
Decals	001-0032
Multi-Coupling	001-0033

8300 / 8350 COMBINES - |---> 61122 - 3906022
D-ZAZA-009-C



D-ZAZA-009-C

Knives And Fingers - Freeflow - 20-22'

Item	Part Number	Qty	Description	Comments
1	D28283934	19	Clip	20' - 6,16M
	D28283934	21	Clip	22' - 6,77M
2	D28230292	4	Shim	
4	D40551500	X	Bolt	
5	339402X1	X	Nut	M10
6	D44104700	1	Finger	Left Hand
7	D40067600	X	Screw	
8	D44104500	39	Finger	20' - 6,16M
	D44104500	43	Finger	22' - 6,77M
9	D44104600	1	Finger	Right Hand
11	D44120500	1	Cap	
16	D28230830	2	Guard	22' - 6,77M
	D28230831	1	Guard	20' - 22' 6,16M - 6,77M
	D28200314	1	Guard	20' - 6,16M
	D28200738	1	Guard	20' - 6,16M
19	D28283010	2	Knife Back	20' - 6,16M
	D28283865	2	Blade	22' - 6,77M
	D28283011	2	Toggle	
20	D28281492	2	Knife Back	20' - 6,16M
	D28281493	2	Knife Back	22' - 6,77M
21	D44103700	X	Tr Knife Blades	[D]
22	D44103800	2	Half Section	
23	D41306100	X	Rivet	[D] Right Hand
24	D41306200	X	Rivet	[D] Right Hand
25	D44104000	2	Half Section	Left Hand
26	D58283701	1	Stone Trap	
27	D58283705	1	Stone Trap	22' - 6,77M
	D58283706	1	Stone Trap	20' - 6,16M
28	D58283702	1	Stone Trap	
29	D49040900	X	Ear Lifter	
30	D49040400	X	Spring	
31	339019X1	X	Hex Cap Screw	M10 X 50
32	D49040600	X	Roller	
33	339019X1	X	Hex Cap Screw	M10 X 50
34	339560X1	2	Hex Cap Screw	M6 X 16
35	D26500317	2	Spring	(16)
36	D28230841	2	Spring	(16)
37	D58283704	1	Stone Trap	22' - 6,77M
38	D28281324	1	Wobble Drive	[B] Cpl.
	D44127800	1	Box	[B] (38)
	D28281324	1	Wobble Drive	[C] (38) Cpl.
	D44126500	1	Box	[C] (38)
39	D44128800	1	Bearing Needle	(38)
40	D44129400	1	Connector	(38)
41	D46116500	1	Valve	(38)
42	D44129100	1	Nut	(38)
43	D44129200	1	Washer	(38)
44	D41668400	2	Roller Bearing	(38)
45	D44127900	1	Housing	[B] (38)
	D44126400	1	Housing	[C] (38)
46	D44128000	2	Journal	[B] (38)
	D44125900	1	Journal	[C] (38)
47	D44129300	1	Shaft	(38)
48	D44128200	1	Cover	[B] (38)

<https://www.ebooklibonline.com>

Hello dear friend!

Thank you very much for reading.

Enter the link into your browser.

The full manual is available for immediate download.

<https://www.ebooklibonline.com>

Knives And Fingers - Freeflow - 20-22'

Item	Part Number	Qty	Description	Comments
	D44126300	1	Cover	[C] (38)
49	D41102100	6	Washer	(38)
50	339123X1	6	Hex Cap Screw	(38) M8 X 20
51	D41669700	1	Bearing Needle	(38)
52	D45412000	1	Gasket	(38)
53	D45481500	1	O Ring	(38)
54	D44128300	1	Bearing Carrier	[B] (38)
	D44126200	1	Bearing Carrier	[C] (38)
55	D41102100	2	Washer	(38)
56	D40697200	2	Screw	[B] (38)
	D40697700	2	Screw	[C] (38)
57	D40639600	2	Pin	[B] (38)
58	D44128400	2	Bush	[B] (38)
	D44126100	2	Bush	[C] (38)
59	D44128500	1	Yoke	[B] (38)
	D44126000	1	Yoke	[C] (38)
60	D41669800	3	Bearing Needle	(38)
61	D45409500	1	Gasket	(38)
62	D44128600	1	Plug	(38)
63	D45236200	1	Plug	(38)
64	D44127100	1	Hub	(38)
65	D41100900	1	Spring Washer	(38)
66	D40694000	1	Screw	(38)
67	D41985600	1	Belt	
69	D20400426	4	Washer	
70	1440716X1	4	Hex Cap Screw	M12 X 30
74	D20400523	4	Spacer	
75	D40465400	4	Screw	
76	D28283103	1	Clamp	
77	390419X1	5	Hex Cap Screw	M16 X 40
78	D20400461	5	Washer	
79	D40698400	2	Screw	
80	D20400438	2	Washer	
81	1442739X1	2	Locknut	M16
83	1442190X1	1	Locknut	M12
84	D20400428	1	Washer	
85	390826X1	1	Hex Cap Screw	M12 X 100
86	391423X1	1	Split Pin	Diameter 4 X 40
87	D41054300	1	Nut	
88	D44126900	1	Flange	
89	D44127000	1	Swivel Arm	
90	D44127200	1	Pulley	
92	D28260362	X	Clip	
93	1441671X1	X	Screw Special	M10 X 50
94	D20400419	X	Washer	
95	D49040300	X	Ear Lifter	
96	D28283109	1	Support	
98	D28284356	4	Union	[A]
99	339662X1	8	Roll Pin	[A] Diameter 6 X 28
100	D28284257	2	Sensor	[A]
101	D28284258	2	Sensor	[A]
102	D40405300	4	Screw	[A]
103	D20400506	20	Washer	[A]
104	394367X1	8	Locknut	[A] M8

Knives And Fingers - Freeflow - 20-22'

Item	Part Number	Qty	Description	Comments
105	D28284223	4	Link	[A]
106	339009X1	4	Hex Cap Screw	[A] M8 X 35
108	D28780522	2	Support	[A]
109	D40464900	2	Screw	[A]
110	D28780845	2	Rod	[A]
111	D28284225	4	Lever	AUTO LEVEL 22' - 6,77M
	D28284234	4	Lever	[A]
112	339804X1	2	Hex Cap Screw	[A] M6 X 25
113	D20400404	2	Washer	[A]
114	1441462X1	2	Locknut	[A] M6
115	D28200551	4	Washer	[A]
116	D42611900	8	Pin	[A]
117	339052X1	4	Roll Pin	[A] Diameter 6 X 40
118	D28284232	2	Shaft	[A]
119	D28284389	2	Spring	[A]
120	D28284229	2	Support	AUTO LEVEL 22' - 6,77M
121	D28284456	4	Bush	[A]
122	D28281576	1	Plate	
123	D28281575	1	Chock	
124	D28281574	1	Plate	
125	339010X1	2	Hex Cap Screw	M8 X 40
126	D20400506	2	Washer	
127	394367X1	2	Locknut	M8
128	D58281572	1	Guard	
129	D20400506	3	Washer	
130	D41017500	3	Locknut	
131	339761X1	1	Hex Cap Screw	M8 X 25
132	D28281706	1	Guard	
133	339124X1	2	Hex Cap Screw	M8 X 16
134	D20400506	2	Washer	
135	339560X1	X	Hex Cap Screw	M6 X 16
136	1441462X1	X	Locknut	M6
137	D20400441	1	Washer	
138	D28284268	2	Stop	
139	D20400416	4	Washer	
140	339123X1	2	Hex Cap Screw	M8 X 20
141	394367X1	2	Locknut	M8
142	D45483000	1	O Ring	[C]
143	D42650400	2	Pin	

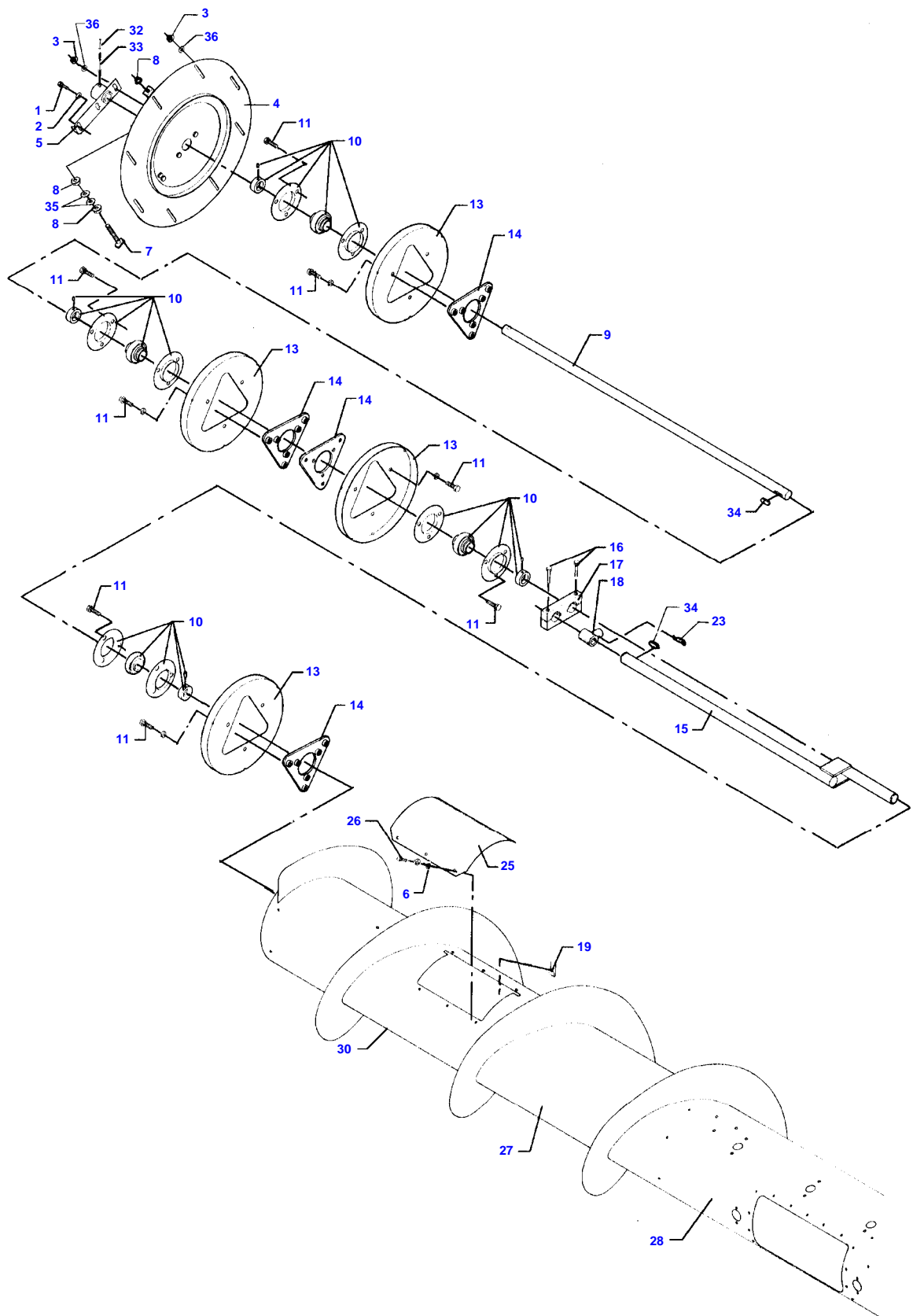
FOOTNOTE [A] OPTIONAL EQUIPMENT AUTO LEVEL

FOOTNOTE [B] USED ONLY IN KNIFE DRIVES WITH 6 HOLES IN BEARING HOUSING BOTTOM

FOOTNOTE [C] USED ONLY IN KNIFE DRIVES WITH 8HOLES IN BEARING HOUSING BOTTOM AND BULGES SIDES

FOOTNOTE [D] OPTIONAL

8300 / 8350 COMBINES - |---> 61122 - 3906022
D-ZAZB-004-A



D-ZAZB-004-A

Table Auger Right Hand - Freeflow - 20-22'

Item	Part Number	Qty	Description	Comments
1	339124X1	1	Hex Cap Screw	M8 X 16
2	D20400506	1	Washer	
3	D41017500	10	Locknut	
4	D18280040	1	Plate	Right Hand
5	D28283029	1	Adjuster	
6	391038X1	6	Flat Washer	
7	D28211023	1	Bolt	
8	1440329X1	2	Locknut	M10
9	D28284655	1	Shaft	20' - 6,16M
	D28284661	1	Crankshaft	22' - 6,77M
10	D41707800	4	Bearing	
11	339814X1	24	Hex Cap Screw	M10 X 35
13	D28280014	4	Plate	
14	D28283847	4	Bearing Plate	
15	D28285977	1	Crankshaft	
16	3009498X1	2	Hex Cap Screw	M10 X 55
17	D28283039	1	Arm	
18	D28251831	15	Bearing Carrier	
19	D43428200	6	Nut	M6
23	D28283853	15	Hair Pin	
25	D28285312	1	Cover	
26	339666X1	6	Hex Cap Screw	M6 X 20
27	D28285991	1	Table Auger	20' - 6,16M
	D28285992	1	Table Auger	22' - 6,77M
28	D28283012	1	Body	
30	D28286012	1	Body	Right Hand 20' - 6,16M
	D28286013	1	Body	Right Hand 22' - 6,77M
32	1441645X1	1	Pin	Diameter 8 X 55
33	D42625300	1	Pin	Diameter 13 X 56
34	339441X1	2	Key Parallel	
35	D20400471	2	Washer	
36	D20400414	X	Washer	

Table Auger Left Hand - Freeflow - 20-22'

Item	Part Number	Qty	Description	Comments
1	D28285991	1	Table Auger	20' - 6,16M
	D28285992	1	Table Auger	22' - 6,77M
2	D28283012	1	Body	
3	D28283875	1	Body	Left Hand 22' - 6,77M
	D28286006	1	Body	Left Hand 20' - 6,16M
4	D41653500	X	Washer	[A]
5	D58283078	1	Cover	
6	D28283815	15	Finger	
7	339560X1	X	Hex Cap Screw	M6 X 16
8	1441462X1	X	Locknut	M6
9	D28283060	15	Bush	
10	D20400404	X	Washer	
11	339666X1	X	Hex Cap Screw	M6 X 20
12	D43428200	6	Nut	M6
13	D58285312	1	Cover	
14	391038X1	6	Flat Washer	
15	D28280014	2	Plate	
16	D28283007	1	Drive Shaft	
17	D43106800	1	Key	
18	3009491X1	6	Hex Cap Screw	M10 X 20
19	D58283053	1	Plate	
20	D41716500	1	Bearing	
21	3009695X1	4	Nut	M12
22	D28281387	1	Screw	
23	339531X1	1	Split Pin	Diameter 4 X 35
24	339402X1	2	Nut	M10
25	D20400415	4	Washer	
26	D28280729	4	Nut	
27	D41653500	X	Washer	
28	D41653500	4	Washer	
29	D28283004	1	Washer	
30	D45481600	1	O Ring	
31	D45904300	2	Friction Disc	
32	D28286047	1	Sprocket	
33	D28286049	1	Insert	
34	D28286166	1	Clutch Disc	
35	D41112400	10	Washer	
36	D41054100	1	Castle Nut	
37	D28281431	1	Spacer	From Serial or Engine Number 940222
	D28282429	1	Bush	From Serial or Engine Number 941444
38	D28281432	1	Support	From Serial or Engine Number 941444
	D28282430	1	Dog	From Serial or Engine Number 940222
39	D28283006	1	Spring	From Serial or Engine Number 940222
	D28282433	1	Spring	From Serial or Engine Number 941444
40	390734X1	1	Flat Washer	From Serial or Engine Number 940222
41	3009498X1	1	Hex Cap Screw	M10X55 From Serial or Engine Number 940222
42	339761X1	1	Hex Cap Screw	M8 X 25
43	1440329X1	1	Locknut	M10 From Serial or Engine Number 940222
44	1441858X1	1	Grease Fitting	M6
45	D28283853	15	Hair Pin	
46	354066X1	1	Split Pin	5/32" X 1
47	D28286019	1	Auger	20' - 6,16M
	D28286021	1	Auger	22' - 6,77M
48	D28286018	1	Auger	20' - 6,16M
	D28286020	1	Auger	22' - 6,77M
49	D42329300	1	Roll Of Chain	
50	D20400520	4	Spacer	
51	D20400522	3	Spacer	
52	D42365100	1	Roll Chain Link	
53	D28283294	4	Spike	
54	D28281694	4	Plate	Up to Serial or Engine Number 61489
55	339123X1	20	Hex Cap Screw	M8 X 20
56	D20400506	20	Washer	
57	394367X1	12	Locknut	M8

Fendt

8300 / 8350 COMBINES - |---> 61122 - 3906022

3906022

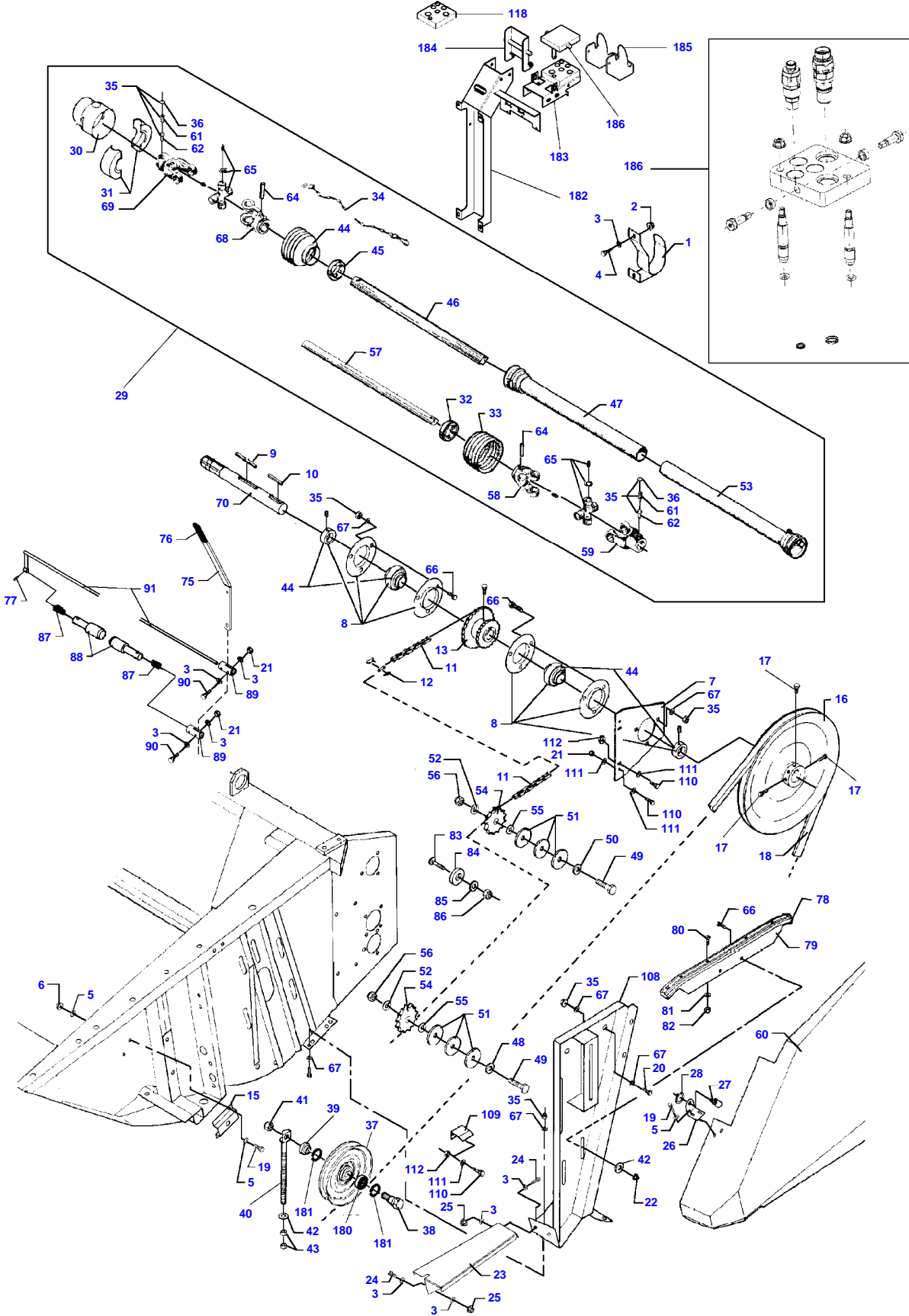
Table Auger Left Hand - Freeflow - 20-22'

Page001-0003

Item	Part Number	Qty	Description	Comments
58	D20400471	2	Washer	
59	D28285967	1	Auger Extension	
60	D28285968	1	Auger Extension	
61	D28285981	2	Bracket	

FOOTNOTE [A] OPTIONAL

8300 / 8350 COMBINES - |---> 61122 - 3906022
D-ZAZD-013-B

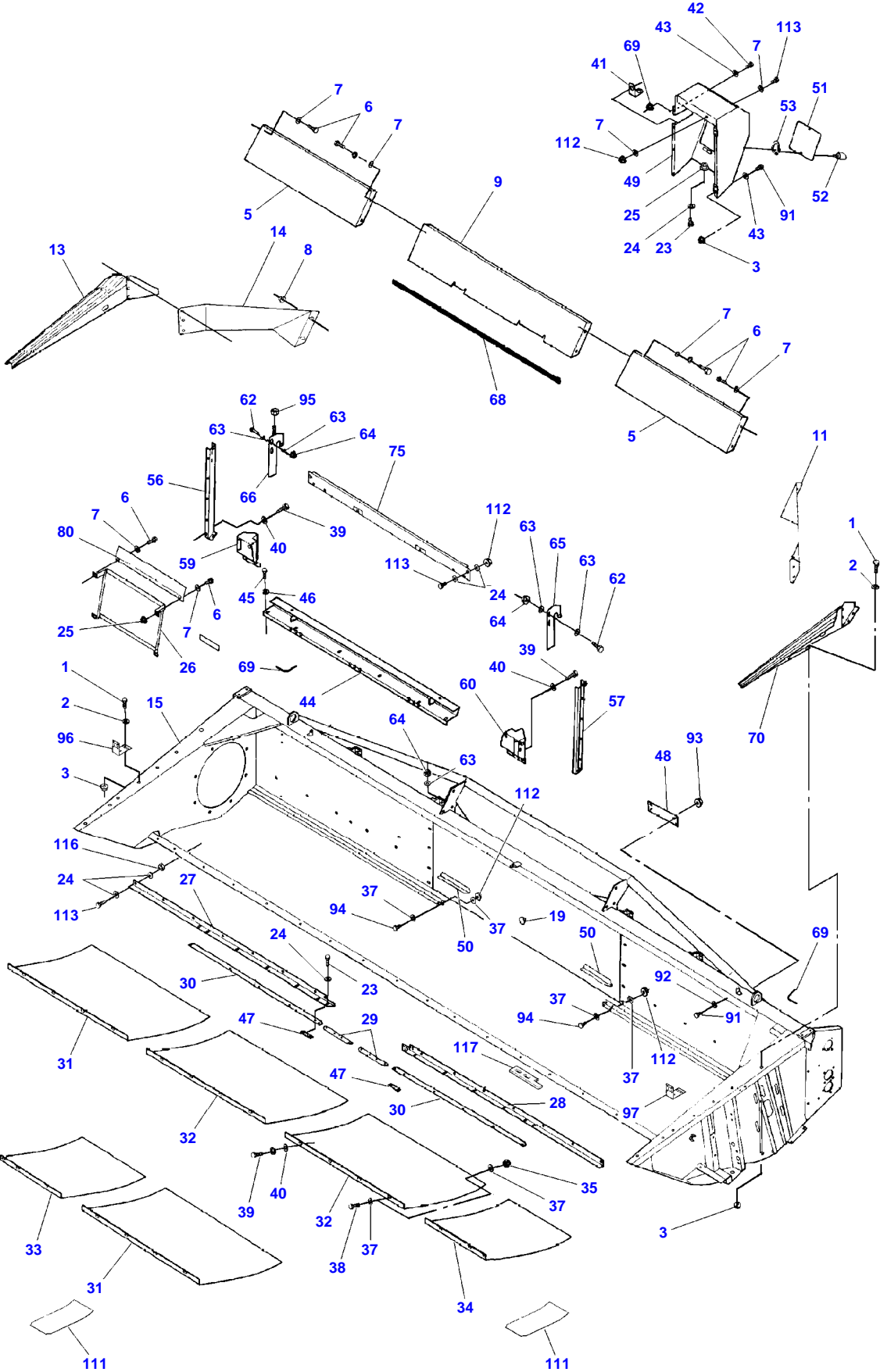


Item	Part Number	Qty	Description	Comments
1	D58281345	1	Stirrup	
2	394367X1	X	Locknut	M8
3	D20400506	X	Washer	
4	339124X1	X	Hex Cap Screw	M8 X 16
5	391038X1	X	Flat Washer	
6	1441462X1	X	Locknut	M6
7	D58283099	1	Bearing Carrier	
8	D41707800	2	Bearing	
9	D43114900	1	Key	
10	1441579X1	1	Key Parallel	
11	D42329300	1	Roll Of Chain	
12	D42365100	1	Roll Chain Link	
13	D28280225	1	Chain Sprocket	
15	D28281578	1	Retainer	
16	D28285423	1	Pulley	
17	D40697900	3	Screw	
18	D41985600	1	Belt	
19	339666X1	X	Hex Cap Screw	M6 X 20
20	3009492X1	4	Hex Cap Screw	M10 X 25
21	394367X1	X	Locknut	M8
22	1440329X1	X	Locknut	M10
23	D28281570	1	Plate	
24	339761X1	3	Hex Cap Screw	M8 X 25
25	394367X1	3	Locknut	M8
26	D28281577	1	Angle.	
27	D43427500	1	Pin	
28	1440988X1	1	Snapping	
29	D45609100	1	Shaft	20' - 6,16M Up to Serial or Engine Number 942481
	D28273974	1	Shaft	20' - 6,16M From Serial or Engine Number 942482 WWHU
	D45609300	1	Shaft	22' - 6,77M Up to Serial or Engine Number 942481
	D28273973	1	Shaft	22' - 6,77M From Serial or Engine Number 942482 WWHU
30	D45632900	1	Bush	
31	D45633000	1	Ring	
32	D45630700	1	Ring	
33	D45630500	1	Guard	
34	D45681800	2	Chain	
35	D45632400	2	Tube	
36	D45645700	2	Washer	
37	D28760574	1	Pulley	
38	D28760156	1	Screw	
39	D28760155	1	Bush	
40	D28260181	1	Bolt	
41	1442739X1	X	Locknut	M16
42	D20400416	X	Washer	
43	339402X1	X	Nut	M10
44	D45630400	1	Guard	
45	D45630600	1	Ring	
46	D45631100	1	Tube	20' - 6,16M
	D45633700	1	Tube	22' - 6,77M
47	D45631900	1	Tube	20' - 6,16M
	D45633900	1	Tube	22' - 6,77M
48	D28181284	1	Washer	
49	391889X1	2	Hex Cap Screw	M16 X 70
50	D20400463	1	Washer	
51	D20400460	6	Washer	
52	D20400459	2	Washer	
53	D45632300	1	Tube	
54	D41716800	2	Tightener	
55	D20400516	X	Spacer	[A]
56	1442739X1	2	Locknut	M16

Item	Part Number	Qty	Description	Comments
57	D45631500	1	Tube	
58	D45630100	1	Yoke	
59	D45633200	1	Yoke	
60	D58281583	1	Guard	
61	D45667300	2	Spring	
62	D45665300	2	Pin	
64	D42619100	2	Pin	
65	D45630300	2	Hub	
66	1442456X1	8	Screw Special	M10 X 30
67	D20400419	X	Washer	
68	D45630200	1	Yoke	
69	D45633100	1	Yoke	
70	D28284404	1	Shaft	
75	D28285536	1	Lever	
76	D43484900	1	Lever	
77	D42612200	X	Pin	
78	D28280787	1	Rail	
79	D28281365	1	Crossmember	
80	D40609300	6	Screw	
81	D20400466	6	Washer	
82	D41087200	6	Locknut	M4
83	D40073100	1	Screw	
84	D28280981	1	Spacer	
85	D20400459	1	Washer	
86	1442739X1	1	Locknut	M16
87	D27100794	2	Spring	
88	D28283200	1	Shaft	
89	D28285535	2	Fork	
90	339168X1	X	Hex Cap Screw	M8 X 50
91	D28285531	1	Journal	
108	D28283090	1	Plate	
109	D58283098	1	Union	
110	339123X1	X	Hex Cap Screw	M8 X 20
111	D20400506	X	Washer	
112	394367X1	X	Locknut	M8
118	D28285492	1	Rubber Patch	
180	SKF62042RS	1	Bear. 6204 2rs	
181	339199X1	2	Circlip	
182	D28285518	1	Bracket	
183	D28285519	1	Support	CPL.
184	D28285497	1	Support	
185	D28285494	1	Stirrup	
186	D45140044	1	Clutch	CPL. See Page - Reference Number 001-0033

FOOTNOTE [A] OPTIONAL

8300 / 8350 COMBINES - |---> 61122 - 3906022
D-ZAZE-009-A



D-ZAZE-009-A

Table Housing And Guarding - Freeflow - 20-22'

Item	Part Number	Qty	Description	Comments
1	339560X1	X	Hex Cap Screw	M6 X 16
2	391038X1	X	Flat Washer	
3	1441462X1	X	Locknut	M6
5	D58283238	2	Cowl	20' - 6,16M
	D58283862	2	Cowl	22' - 6,77M
6	339123X1	X	Hex Cap Screw	M8 X 20
7	D20400506	X	Washer	
8	394367X1	X	Locknut	M8
9	D58283236	1	Cowl	
11	D58283233	1	Cowl	
13	D58285507	1	Side	
14	D58283232	1	Cowl	Right Hand
15	D58286026	1	Table	20' - 6,16M
	D58286027	1	Table	22' - 6,77M
19	D45745300	X	Plug	
23	339123X1	X	Hex Cap Screw	M8 X 20
24	D20400506	X	Washer	
25	394367X1	X	Locknut	M8
26	D58285263	1	Bracket	22' - 6,77M
	D58285767	1	Bracket	20' - 6,16M
27	D28281806	1	Deflector	20' - 6,16M
	D28281808	1	Deflector	Right Hand 22' - 6,77M
28	D28281805	1	Deflector	20' - 6,16M
	D28281807	1	Deflector	Left Hand 22' - 6,77M
29	D28282634	2	Retainer	
30	D28283324	2	Deflector	20' - 6,16M
	D28283861	2	Deflector	22' - 6,77M
31	D28283256	4	Wearplate	20' - 6,16M
	D28283256	3	Wearplate	22' - 6,77M
32	D28283255	2	Wearplate	22' - 6,77M
33	D28283253	1	Wearplate	Right Hand
34	D28283254	1	Wearplate	Left Hand
35	394367X1	X	Locknut	M8
37	D20400506	X	Washer	
38	D40405300	X	Screw	
39	3009493X1	X	Hex Cap Screw	M10 X 30
40	D20400419	X	Washer	
41	D58250648	1	Clip	
42	339666X1	5	Hex Cap Screw	M6 X 20
43	D20400405	5	Washer	
44	D58285529	1	Profile	
45	3009493X1	8	Hex Cap Screw	M10 X 30
46	D20400415	8	Washer	
47	D28283321	4	Clamp	
48	D58285613	1	Cover	
49	D58284331	1	Guard	
50	D28283406	2	Deflector	
51	D58280958	1	Cover	
52	D43427500	2	Pin	
53	1440988X1	2	Snapring	
56	D58285775	1	Support	
57	D58285776	1	Support	
59	D58285752	1	Bracket	
60	D58285756	1	Bracket	
62	339881X1	4	Hex Cap Screw	M16 X 60
63	D28181284	9	Washer	
64	1442739X1	5	Locknut	M16
65	D58285739	1	Hook	
66	D58285738	1	Hook	
68	D28283557	X	Tensioner	
69	D28782178	X	Seal Section	Length 5 M
70	D58283938	1	Plate	Left Hand
75	D58285218	1	Plate	[A]
80	D58285264	1	Protection.	22' - 6,77M
	D58285763	1	Protection.	20' 6,16M
91	339560X1	X	Hex Cap Screw	M6 X 16

Fendt

8300 / 8350 COMBINES - |---> 61122 - 3906022

3906022

Table Housing And Guarding - Freeflow - 20-22'

Page001-0005

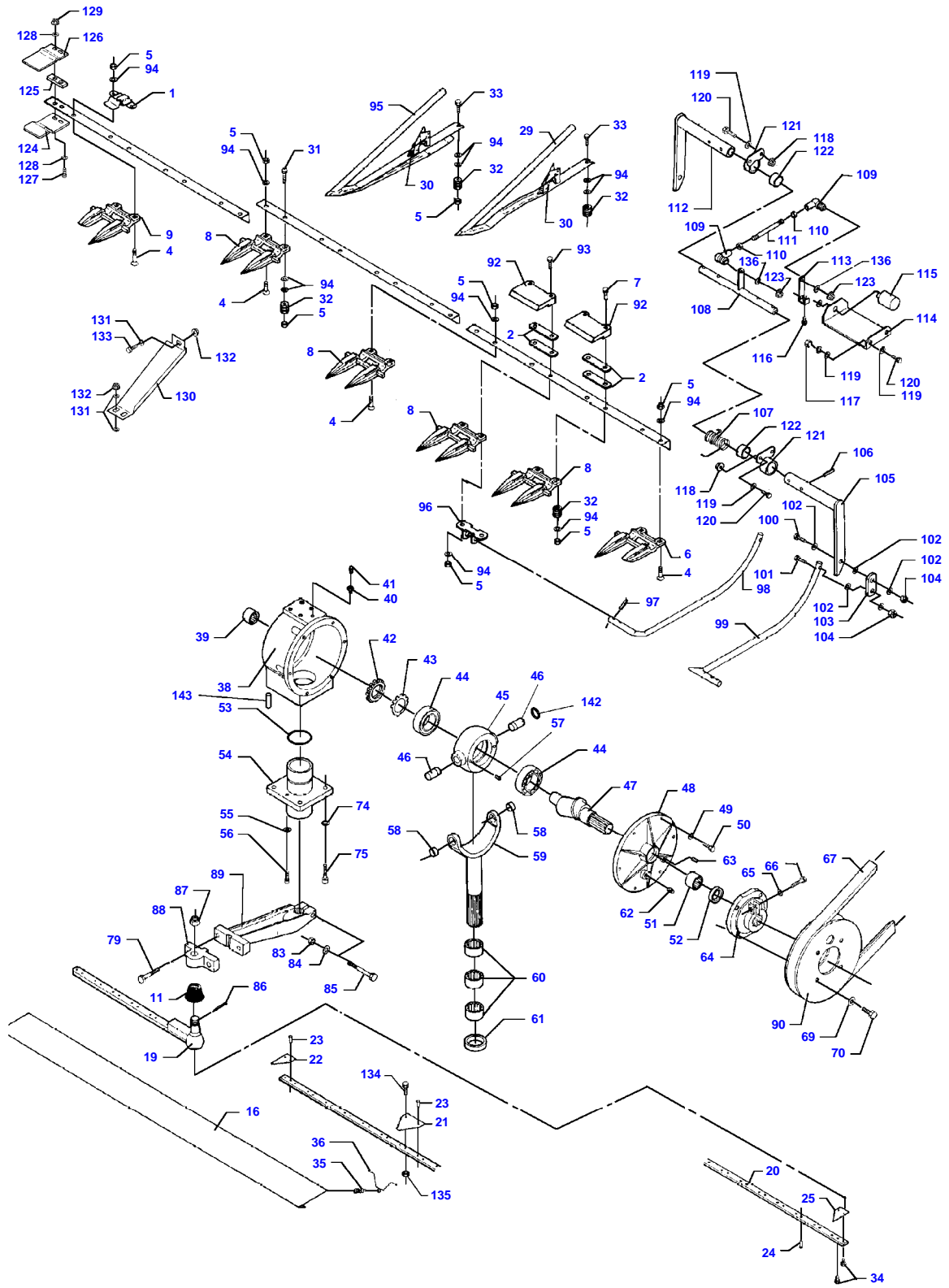
Item	Part Number	Qty	Description	Comments
92	D20400404	X	Washer	
93	1441462X1	X	Locknut	M6
94	339337X1	4	Hex Cap Screw	M8 X 30
95	339034X1	1	Nut	M16
96	D28780381	2	Retainer	[C]
97	D28780381	1	Retainer	[B]
111	D28284101	2	Plate	
112	394367X1	X	Locknut	M8
113	339761X1	X	Hex Cap Screw	M8 X 25
116	339169X1	X	Nut	M8
117	D28285011	1	Lock Support	

FOOTNOTE [A] OPTIONAL EQUIPMENT AUTO LEVEL

FOOTNOTE [B] OPTIONAL EQUIPMENT ELECTRIC - VERTICAL KNIFE LEFT

FOOTNOTE [C] OPTIONAL EQUIPMENT ELECTRIC VERTICAL KNIFE RIGHT

8300 / 8350 COMBINES - |---> 61122 - 3906022
D-ZAZF-012-B



Knives And Fingers - Powerflow - 20-22'

Item	Part Number	Qty	Description	Comments
1	D28283934	19	Clip	20' - 6,16M
	D28283934	21	Clip	22' - 6,77M
2	D28230292	4	Shim	
4	D40551500	X	Bolt	
5	339402X1	X	Nut	M10
6	D44104700	1	Finger	Left Hand
7	D40067600	X	Screw	
8	D44104500	39	Finger	20' - 6,16M
	D44104500	43	Finger	22' - 6,77M
9	D44104600	1	Finger	Right Hand
11	D44120500	1	Cap	
16	D28230830	2	Guard	22' - 6,77M
	D28230831	1	Guard	20' - 22' 6,16M - 6,77M
	D28200314	1	Guard	20' - 6,16M
	D28200738	1	Guard	20' - 6,16M
19	D28283010	2	Knife Back	20' - 6,16M
	D28283865	2	Blade	22' - 6,77M
	D28283011	2	Toggle	
20	D28281492	2	Knife Back	20' - 6,16M
	D28281493	2	Knife Back	22' - 6,77M
21	D44103700	X	Tr Knife Blades	
22	D44103800	X	Half Section	
23	D41306100	X	Rivet	
24	D41306200	X	Rivet	
25	D44104000	1	Half Section	
29	D49040900	X	Ear Lifter	
30	D49040400	X	Spring	
31	339019X1	X	Hex Cap Screw	M10 X 50
32	D49040600	21	Roller	20' - 6,16M
	D49040600	23	Roller	22' - 6,77M
33	339019X1	X	Hex Cap Screw	M10 X 50
34	339560X1	2	Hex Cap Screw	M6 X 16
35	D26500317	4	Spring	(16)
36	D28230841	4	Spring	(16)
38	D28281324	1	Wobble Drive	[B] Cpl.
	D44127800	1	Box	[B] (38)
	D44126500	1	Box	[C] (38)
39	D44128800	1	Bearing Needle	(38)
40	D44129400	1	Connector	(38)
41	D46116500	1	Valve	(38)
42	D44129100	1	Nut	(38)
43	D44129200	1	Washer	(38)
44	D41668400	2	Roller Bearing	(38)
45	D44127900	1	Housing	[B] (38)
	D44126400	1	Housing	[C] (38)
46	D44128000	2	Journal	[B] (38)
	D44125900	1	Journal	[C] (38)
47	D44129300	1	Shaft	(38)
48	D44128200	1	Cover	[B] (38)
	D44126300	1	Cover	[C] (38)
49	D41102100	6	Washer	(38)
50	339123X1	6	Hex Cap Screw	(38) M8 X 20
51	D41669700	1	Bearing Needle	(38)
52	D45412000	1	Gasket	(38)
53	D45481500	1	O Ring	(38)

Knives And Fingers - Powerflow - 20-22'

Item	Part Number	Qty	Description	Comments
54	D44128300	1	Bearing Carrier	[B] (38)
	D44126200	1	Bearing Carrier	[C] (38)
55	D41102100	2	Washer	(38)
56	D40697200	2	Screw	[B] (38)
	D40697700	2	Screw	[C] (38)
57	D40639600	2	Pin	[B] (38)
58	D44128400	2	Bush	[B] (38)
	D44126100	2	Bush	[C] (38)
59	D44128500	1	Yoke	[B] (38)
	D44126000	1	Yoke	[C] (38)
60	D41669800	3	Bearing Needle	(38)
61	D45409500	1	Gasket	(38)
62	D44128600	1	Plug	(38)
63	D45236200	1	Plug	(38)
64	D44127100	1	Hub	(38)
65	D41100900	1	Spring Washer	(38)
66	D40694000	1	Screw	(38)
67	D41986300	1	V Belt	
69	D20400426	4	Washer	
70	1440716X1	4	Hex Cap Screw	M12 X 30
74	D20400522	4	Spacer	
75	D40465100	4	Screw	
79	D40698400	2	Screw	
83	1442190X1	1	Locknut	M12
84	D20400426	1	Washer	
85	390826X1	1	Hex Cap Screw	M12 X 100
86	391423X1	1	Split Pin	Diameter 4 X 40
87	D41054300	1	Nut	
88	D44126900	1	Flange	
89	D44127000	1	Swivel Arm	
90	D44127200	1	Pulley	
92	D28260362	2	Clip	
93	1441671X1	X	Screw Special	M10 X 50
94	D20400419	X	Washer	
95	D49040300	X	Ear Lifter	
96	D28284356	4	Union	[A]
97	339662X1	8	Roll Pin	[A] Diameter 6 X 28
98	D28284259	2	Sensor	[A]
99	D28284260	2	Sensor	[A]
100	339337X1	4	Hex Cap Screw	[A] M8 X 30
101	D40405300	4	Screw	[A]
102	D20400506	20	Washer	[A]
103	D28284363	4	Link	[A]
104	394367X1	8	Locknut	[A] M8
105	D28284227	2	Lever	[A]
106	D42611900	8	Pin	[A]
107	D28281693	2	Spring	[A]
108	D28284232	2	Shaft	[A]
109	D46437300	4	Toggle	[A]
110	D41010600	4	Nut	[A] M6
111	D28780446	2	Rod	[A]
112	D28284226	2	Lever	[A]
113	D28284361	2	Connecting Link	[A]
114	D28284360	2	Plate	[A]

Knives And Fingers - Powerflow - 20-22'

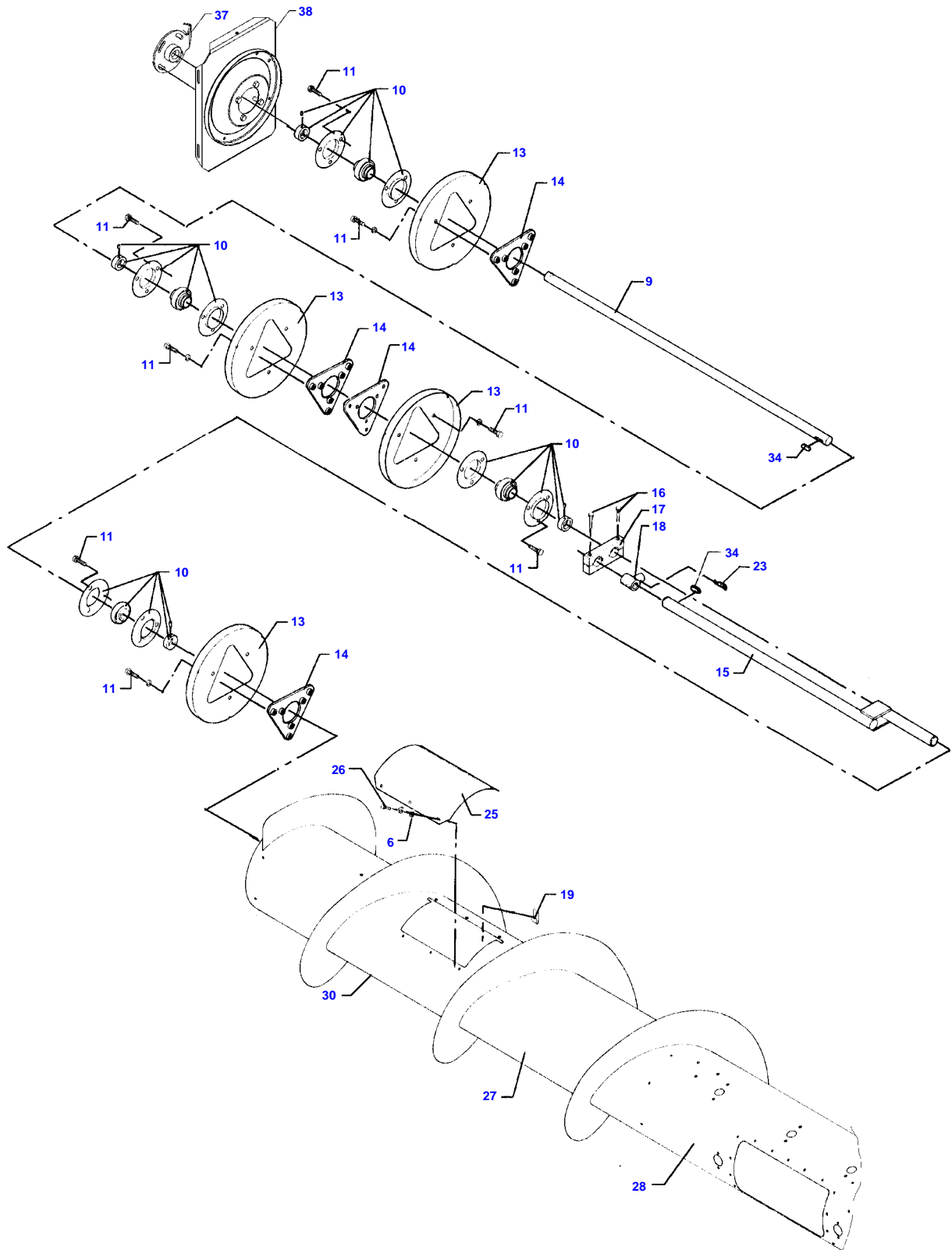
Item	Part Number	Qty	Description	Comments
115	D28780523	2	Potentiometer	[A]
116	D40464900	2	Screw	[A]
117	339169X1	4	Nut	[A] M8
118	394367X1	8	Locknut	[A] M8
119	D20400506	16	Washer	[A]
120	339123X1	12	Hex Cap Screw	[A] M8 X 20
121	D28284458	4	Bearing Bush	[A]
122	D28284456	4	Bush	[A]
123	1441462X1	2	Locknut	[A] M6
124	D28281576	1	Plate	
125	D28281575	1	Chock	
126	D28281574	1	Plate	
127	339010X1	2	Hex Cap Screw	M8 X 40
128	D20400506	2	Washer	
129	394367X1	2	Locknut	M8
130	D58281572	1	Guard	
131	D20400506	3	Washer	
132	394367X1	3	Locknut	M8
133	339761X1	1	Hex Cap Screw	M8 X 25
134	339560X1	X	Hex Cap Screw	M6 X 16
135	1441462X1	X	Locknut	M6
136	D20400404	4	Washer	
142	D45483000	1	O Ring	[C]
143	D42650400	2	Pin	

FOOTNOTE [A] OPTIONAL EQUIPMENT AUTO LEVEL

FOOTNOTE [B] USED ONLY IN KNIFE DRIVES WITH 6 HOLES IN BEARING HOUSING BOTTOM

FOOTNOTE [C] USED ONLY IN KNIFE DRIVES WITH 8HOLES IN BEARING HOUSING BOTTOM AND BULGES SIDES

8300 / 8350 COMBINES - |---> 61122 - 3906022
D-ZAZG-007-A

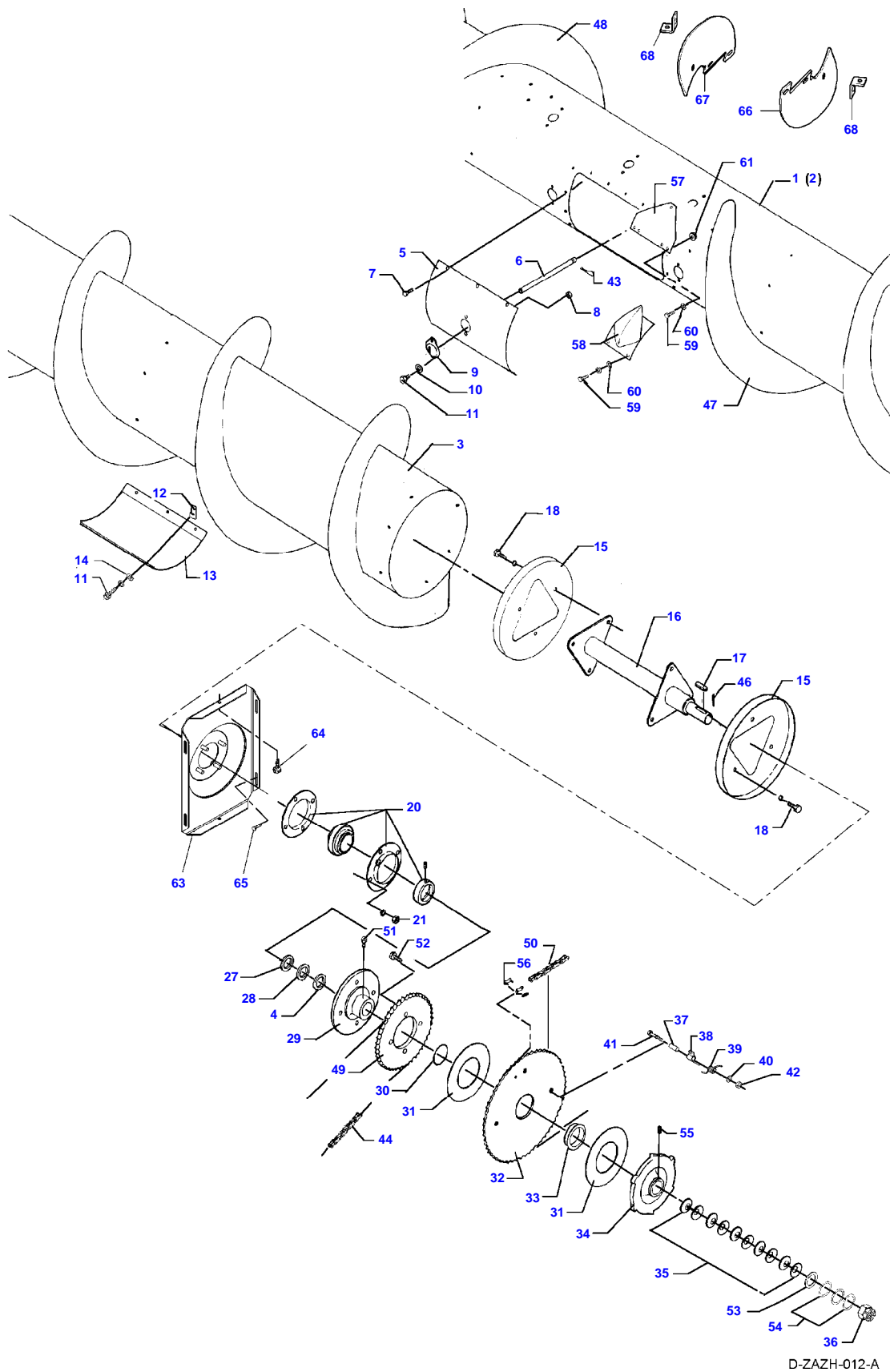


D-ZAZG-007-A

Table Auger Right Hand - Powerflow - 18'-20'-22'

Item	Part Number	Qty	Description	Comments
6	391038X1	12	Flat Washer	
9	D28285997	1	Shaft	20' - 6,16M
	D28285797	1	Auger	22' - 6,77M
10	D41707800	4	Bearing	
11	339814X1	24	Hex Cap Screw	M10 X 35
13	D28280014	4	Plate	
14	D28283847	4	Bearing Plate	
15	D28285977	1	Crankshaft	
16	3009498X1	2	Hex Cap Screw	M10 X 55
17	D28283039	1	Arm	
18	D28251831	15	Bearing Carrier	
19	D43428200	6	Nut	M6
23	D28283853	15	Hair Pin	
25	D58285312	1	Cover	
26	339666X1	6	Hex Cap Screw	M6 X 20
27	D28285986	1	Table Auger	20' - 6,16M
	D28286153	1	Auger	22'-6,77M
	D28285985	1	Table Auger	18' - 5,56M
28	D28283012	1	Body	
30	D28286007	1	Body	Right Hand 20' - 6,16M
	D28283876	1	Body	Right Hand 22' - 6,77M
34	339441X1	2	Key Parallel	
37	D28285130	1	Fitting	
38	D58285102	1	Cover	

8300 / 8350 COMBINES - |---> 61122 - 3906022
D-ZAZH-012-A



D-ZAZH-012-A

Item	Part Number	Qty	Description	Comments
1	D28285986	1	Table Auger	20'-6,16M
	D28286153	1	Auger	22'-6,77M
2	D28283012	1	Body	
3	D28286006	1	Body	Left Hand 20' - 6,16M
	D28283875	1	Body	Left Hand 22' - 6,77M
4	D41653500	2	Washer	
5	D28283078	1	Cover	
6	D28283815	15	Finger	
7	339560X1	8	Hex Cap Screw	M6 X 16
8	1441462X1	X	Locknut	M6
9	D28283060	15	Bush	
10	D20400404	X	Washer	
11	339666X1	X	Hex Cap Screw	M6 X 20
12	D43428200	6	Nut	M6
13	D28285312	1	Cover	
14	391038X1	6	Flat Washer	
15	D28280014	2	Plate	
16	D28285100	1	Drive Shaft	
17	D43106800	1	Key	
18	339814X1	X	Hex Cap Screw	M10 X 35
20	D41716500	1	Bearing	
21	3009695X1	4	Nut	M12
27	D41653500	X	Washer	[C]
28	D41653500	4	Washer	[C]
29	D28283004	1	Washer	
30	D45481600	1	O Ring	
31	D45904300	2	Friction Disc	
32	D28286046	1	Sprocket	20' - 6,16M
	D28285443	1	Chain Sprocket	22' - 6,77M
33	D28286049	1	Insert	
34	D28286166	1	Clutch Disc	22' - 6,77M
35	D41112400	10	Washer	
36	D41054100	1	Castle Nut	
37	D28281431	1	Spacer	
38	D28281432	1	Support	
39	D28283006	1	Spring	
40	D20400507	1	Spacer	
41	3009498X1	1	Hex Cap Screw	M10 X 55
42	1440329X1	1	Locknut	M10
43	D28283853	15	Hair Pin	
44	D42332800	1	Roll Of Chain	
46	354066X1	1	Split Pin	5/32" X 1
47	D28286016	1	Auger	Right Hand 20' - 6,16M
	D28284502	1	Auger	Right Hand 22' - 6,77M
48	D28286017	1	Auger	Left Hand 20' - 6,16M
	D28284501	1	Auger	Left Hand 22' - 6,77M
49	D28283182	1	Sprocket	
50	D42329200	1	Roll Of Chain	
51	339761X1	1	Hex Cap Screw	M8 X 25
52	339123X1	4	Hex Cap Screw	M8 X 20
53	D20400520	1	Spacer	
54	D20400523	4	Spacer	
55	1441858X1	1	Grease Fitting	
56	D42365500	1	Roll Chain Link	
57	D28281694	4	Plate	[A] Up to Serial or Engine Number 61489
58	D28283297	4	Finger	[A] Up to Serial or Engine Number 61489
59	339123X1	20	Hex Cap Screw	[A] M8 X 20
60	D20400506	20	Washer	[A]
61	394367X1	12	Locknut	[A] M8
63	D28285102	1	Cover	
64	D40633300	2	Pin	
65	390809X1	4	Carriage Bolt	M10 X 25

Fendt

8300 / 8350 COMBINES - |---> 61122 - 3906022

3906022

Tabel Auger Left Hand - Powerflow - 20-22'

Page001-0008

Item	Part Number	Qty	Description	Comments
66	D28285974	1	Auger	
67	D28285975	1	Auger	
68	D28285981	2	Bracket	

FOOTNOTE [A] OPTIONAL EQUIPMENT STANDARD COMBINE, STANDARD EQUIPMENT AUTO LEVEL COMBINE,SLOPES

FOOTNOTE [C] OPTIONAL

Item	Part Number	Qty	Description	Comments
1	D45609100	1	Shaft	20' - 6,16M Up to Serial or Engine Number 942481
	D28273974	1	Shaft	20' - 6,16M From Serial or Engine Number 942482 WWHU
2	D58281345	1	Stirrup	
4	339123X1	X	Hex Cap Screw	[D] M8 X 20
5	391038X1	X	Flat Washer	[D]
8	339666X1	X	Hex Cap Screw	[D] M6 X 20
9	D28285117	1	Rod	Up to Serial or Engine Number 942481
	D28274027	1	Shaft	From Serial or Engine Number 942482
10	339168X1	X	Hex Cap Screw	M8 X 50
18	339337X1	X	Hex Cap Screw	[D] M8 X 30
19	D20400506	X	Washer	
20	394367X1	X	Locknut	M8
21	394367X1	X	Locknut	M8
22	339761X1	X	Hex Cap Screw	[D] M8 X 25
23	339124X1	X	Hex Cap Screw	M8 X 16
26	1441462X1	X	Locknut	[D] M6
27	D28285385	1	Gear	
28	D20400460	1	Washer	
29	339009X1	8	Hex Cap Screw	M8 X 35
30	D42329200	1	Roll Of Chain	
32	D42365500	1	Roll Chain Link	
34	D41707800	2	Bearing	
35	D28285423	1	Pulley	
36	D40697900	3	Screw	
37	D43114900	1	Key	
38	1441579X1	1	Key Parallel	
39	D41986300	1	V Belt	
40	1442456X1	6	Screw Special	M10 X 30
41	D20400419	6	Washer	
42	D45632400	2	Tube	
43	D45645700	2	Washer	
44	D45667300	2	Spring	
45	D45665300	2	Pin	
46	D28285127	1	Lever	
47	D43484900	1	Lever	
48	D42612200	X	Pin	
49	D28285125	1	Shaft	Up to Serial or Engine Number 941481
	D28274027	1	Shaft	From Serial or Engine Number 942482
50	D27100794	2	Spring	
51	D28283200	1	Shaft	
52	D45681800	2	Chain	
53	D42619100	2	Pin	
54	D45631100	1	Tube	
55	D45631900	1	Tube	
56	D45632300	1	Tube	
57	D28285126	2	Fork	
58	D28760574	1	Pulley	
60	1442739X1	3	Locknut	M16
61	D20400416	X	Washer	
62	339402X1	X	Nut	M10
63	D28760156	3	Screw	
64	D28760155	3	Bush	
65	D28752130	1	Pulley	
66	D28280819	1	Pulley	
67	SKF62042RS	3	Bear. 6204 2rs	
68	339199X1	6	Circlip	
69	D45630600	1	Ring	
70	D45630400	1	Guard	
71	D41663400	2	Ball Bearing	



Suggest:

For more complete manuals. Please go to the home page.

<https://www.ebooklibonline.com>

If the above button click is invalid. Please download this document first, and then click the above link to download the complete manual.

Thank you so much for reading

Item	Part Number	Qty	Description	Comments
72	D45630200	1	Yoke	
73	D45630300	2	Hub	
74	3008923X1	2	Grease Fitting	
75	D41716800	2	Tightener	
76	391889X1	2	Hex Cap Screw	M16 X 70
77	D45633100	1	Yoke	[A]
78	1442739X1	X	Locknut	M16
79	D45665300	2	Pin	
80	D20400460	X	Washer	
81	D45667300	2	Spring	
82	D45645700	2	Washer	
83	D45632900	1	Bush	
84	D45633300	1	Tube	
85	D45631500	1	Tube	
86	D45630700	1	Ring	
87	D45630500	1	Guard	
88	D45630100	1	Yoke	
89	D40073100	1	Screw	
90	D28280981	1	Spacer	
91	D28181284	X	Washer	
92	1440329X1	X	Locknut	M10
93	D28280787	1	Rail	
94	D28281365	1	Crossmember	
95	D40609300	6	Screw	
96	D20400466	6	Washer	
97	D41087200	6	Locknut	M4
99	D28273743	1	Housing	From Serial or Engine Number 942482
100	D45633200	1	Yoke	[A]
105	D45140037	2	Screw	[B,D]
108	D28285454	1	Bracket	
109	D28285290	1	Shield	Up to Serial or Engine Number 942481
110	D28285366	1	Guard	
111	D28285518	1	Bracket	
112	D28285519	1	Support	CPL.
113	D28285497	1	Support	
114	D28285494	1	Stirrup	
115	D45140044	1	Clutch	CPL. See Page - Reference Number 001-0033
116	D45702000	1	Hose	[D]
117	D28285445	1	Bracket	[C]
118	D28285492	1	Rubber Patch	
119	D28284766	1	Support	From Serial or Engine Number 942482
120	D28284767	1	Shield	From Serial or Engine Number 942482
121	D28284832	1	Shield	

FOOTNOTE [A] DELIVERED IN SETS

FOOTNOTE [B] OPTIONAL EQUIPMENT

FOOTNOTE [C] ORDER D28285445 + D18285413

FOOTNOTE [D] NOT ILLUSTRATED

<https://www.ebooklibonline.com>

Hello dear friend!

Thank you very much for reading.

Enter the link into your browser.

The full manual is available for immediate download.

<https://www.ebooklibonline.com>