

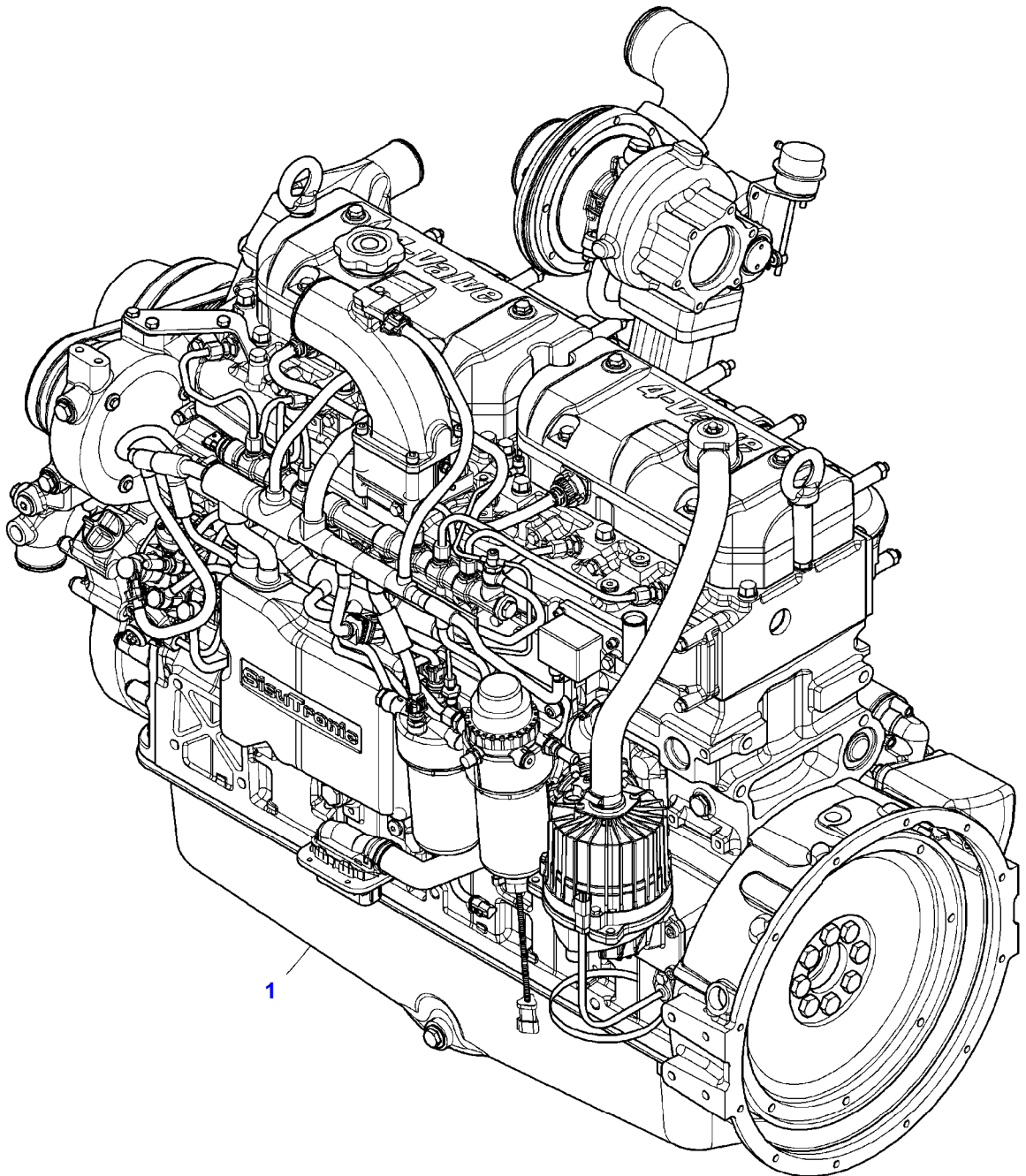
TABLE OF CONTENT

Page Number	Page Title	Page Reference
01-000-TOC	ENGINE	01-000-TOC
02-000-TOC	ENGINE INSTALLATION	02-000-TOC
03-000-TOC	DRIVE SYSTEM	03-000-TOC
04-000-TOC	AXLES	04-000-TOC
05-000-TOC	FRAME AND SUSPENSION	05-000-TOC
06-000-TOC	STEERING SYSTEM	06-000-TOC
07-000-TOC	DRIVE TRAIN SYSTEM	07-000-TOC
08-000-TOC	BRAKE SYSTEM	08-000-TOC
09-000-TOC	HYDRAULIC SYSTEM	09-000-TOC
10-000-TOC	ELECTRICAL SYSTEM	10-000-TOC
11-000-TOC	CAB	11-000-TOC
12-000-TOC	AIR CONDITIONING AND HEATING SYSTEM	12-000-TOC
13-000-TOC	CHASSIS	13-000-TOC
14-000-TOC	DECALS	14-000-TOC
15-000-TOC	WHEELS	15-000-TOC
16-000-TOC	FEEDING SYSTEM	16-000-TOC
17-000-TOC	THRESHING SYSTEM	17-000-TOC
18-000-TOC	CLEANING SYSTEM	18-000-TOC
19-000-TOC	GRAIN BIN AND ELEVATOR SYSTEM	19-000-TOC
20-000-TOC	DISCHARGE SYSTEM	20-000-TOC
21-000-TOC	ATTACHMENTS	21-000-TOC
22-000-TOC	ACCESSORIES	22-000-TOC

ENGINE

Page Number	Page Title	Page Reference
01-0001	ENGINE ASSEMBLIES	HB01L004-1
01-0002	CYLINDER BLOCK	HB51L002-1
01-0003	TIMING GEARS AND HOUSING	HB52L001-1
01-0004	FLYWHEEL AND HOUSING	LA40L001-1
01-0005	CRANKSHAFT AND PISTONS	HB53L002-1
01-0006	CAMSHAFT AND VALVE MECHANISM	HB54L001-1
01-0007	CYLINDER HEAD	HB55L001-1
01-0008	AIR INTAKE & EXHAUST	HB56L002-1
01-0009	TURBOCHARGER	LA21L002-1
01-0010	OIL PUMP AND SUMP	LC30L003-1
01-0011	OIL COOLER AND FILTER	HB12L001-1
01-0012	CLOSED CRANKCASE VENTILATION (CCV)	LA61L001-1
01-0013	COOLANT PUMP AND THERMOSTAT UP TO ENGINE S/N Z23464	LE17L005-1
01-0014	COOLANT PUMP AND THERMOSTAT FROM ENGINE S/N Z23465	LE17L007-1
01-0015	FUEL INJECTION SYSTEM	LE26L003-1
01-0016	FUEL FILTERS	LC54L012-1
01-0017	ELECTRONIC ENGINE MANAGEMENT	HB58L002-1
01-0018	ALTERNATOR	HB59L001-1
01-0019	STARTER MOTOR	LE13L004-1
01-0020	FAN DRIVE	HB23L001-1
01-0021	EXHAUST AFTERTREATMENT	HB60L001-1
01-0022	ENGINE OVERHAUL PARTS	HB31L007-1
01-0023	ENGINE OVERHAUL PARTS	HB61L002-1

6335C COMBINE (STAGE 3B / TIER 4I) (564000111-999)
8026465-F5-1



<https://www.ebooklibonline.com>

Hello dear friend!

Thank you very much for reading.

Enter the link into your browser.

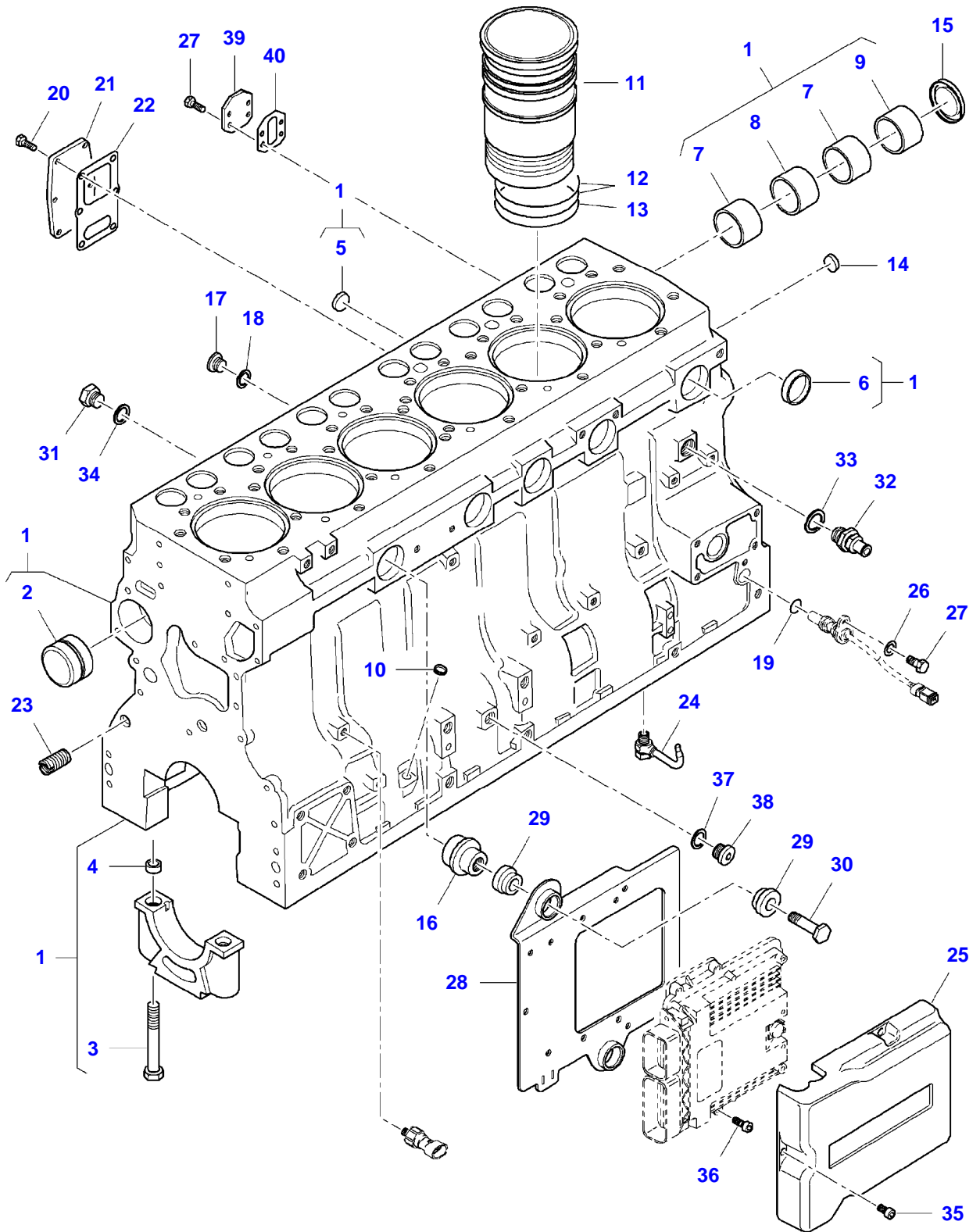
The full manual is available for immediate download.

<https://www.ebooklibonline.com>

ENGINE ASSEMBLIES

Item	Part Number	Qty	Description Comments	Technical Specification
1	V835276535	1	ENGINE	84 AWI
2	V865276535X	1	SHORT BLOCK ENGINE [A]	
3	V865276535V	1	LONG BLOCK ENGINE [A] [A] NOT ILLUSTRATED	

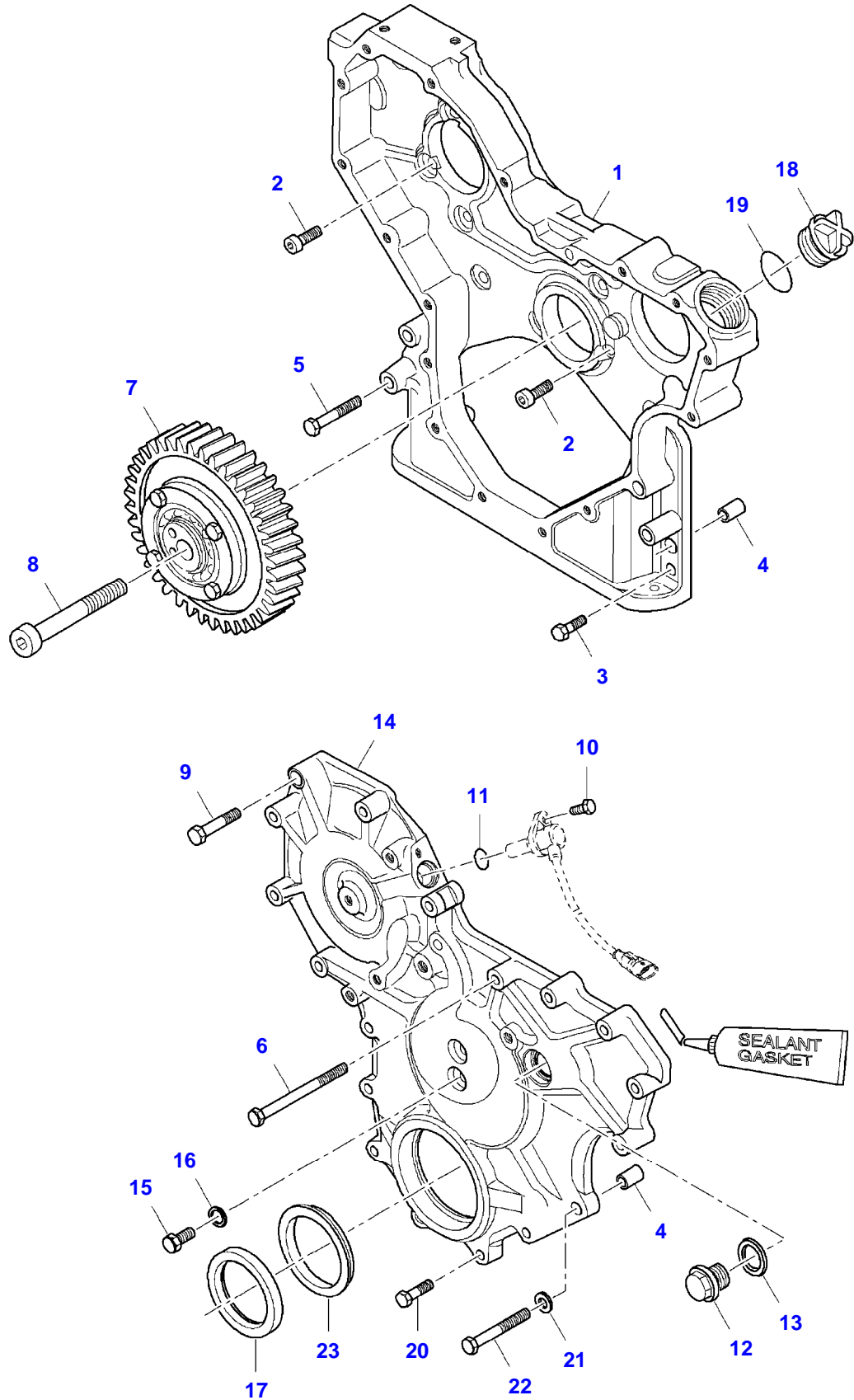
6335C COMBINE (STAGE 3B / TIER 4I) (564000111-999)
8024522-F5-1



Item	Part Number	Qty	Description Comments	Technical Specification
1	V836873095	1	CYLINDER BLOCK	
2	V836866069	1	CAMSHAFT BEARING BUSH	
	V836866036	X	CAMSHAFT BEARING BUSH	+ 0.40 MM
3	V835329030	14	HEX CAP SCREW	
4	V836214478	24	GUIDE SLEEVE	
5	V640016018	1	CUP PLUG	
6	V640016040	4	CUP PLUG	
7	V836852460	2	CAMSHAFT BEARING BUSH	
8	V836852459	1	CAMSHAFT BEARING BUSH	
9	V836852461	1	CAMSHAFT BEARING BUSH	
10	V640016012	1	CUP PLUG	
11	V836867048	6	LINER	
	V836867050	X	LINER	FLANGE HEIGHT + 0.05 MM
12	V836855446	12	CYLINDER LINER O-RING [A]	
13	V836855447	6	CYLINDER LINER O-RING [A]	
14	V640016016	2	CUP PLUG	
15	V836852744	1	PLUG	
16	V837069057	1	PLUG	
17	V640325110	5	SCREW PLUG	
18	V615871014	5	SEALING WASHER [A]	
19	V614601524	1	O-RING	
20	V528801380	6	HEX CAP SCREW	
21	V836855678	1	COVER	
22	V836322852	1	GASKET [A]	
23	V836859153	1	THREADED BUSH	
24	V837074224	6	PISTON COOLING JET	
25	V837073901	1	COVER	
26	V500050840	1	FLAT WASHER	
27	V528801362	5	HEX CAP SCREW	
28	V837073900	1	ECU BRACKET	
29	V837074327	6	RUBBER BUSH	
30	V837069056	3	HEX CAP SCREW	
31	V836119079	1	PLUG	
32	V836664377	1	DRAIN VALVE	
33	V615881824	1	SEALING WASHER [A]	
34	V615881620	1	SEALING WASHER [A]	
35	V581804182	3	HEX SOCKET SCREW	
36	V581804202	4	HEX SOCKET SCREW	
37	V615881420	1	SEALING WASHER [A]	
38	V640325014	1	PLUG	
39	V836866957	1	COVER	
40	V836866958	1	GASKET [A]	

[A] INCLUDED IN KIT V837079464

6335C COMBINE (STAGE 3B / TIER 4I) (564000111-999)
8024545-F5-1

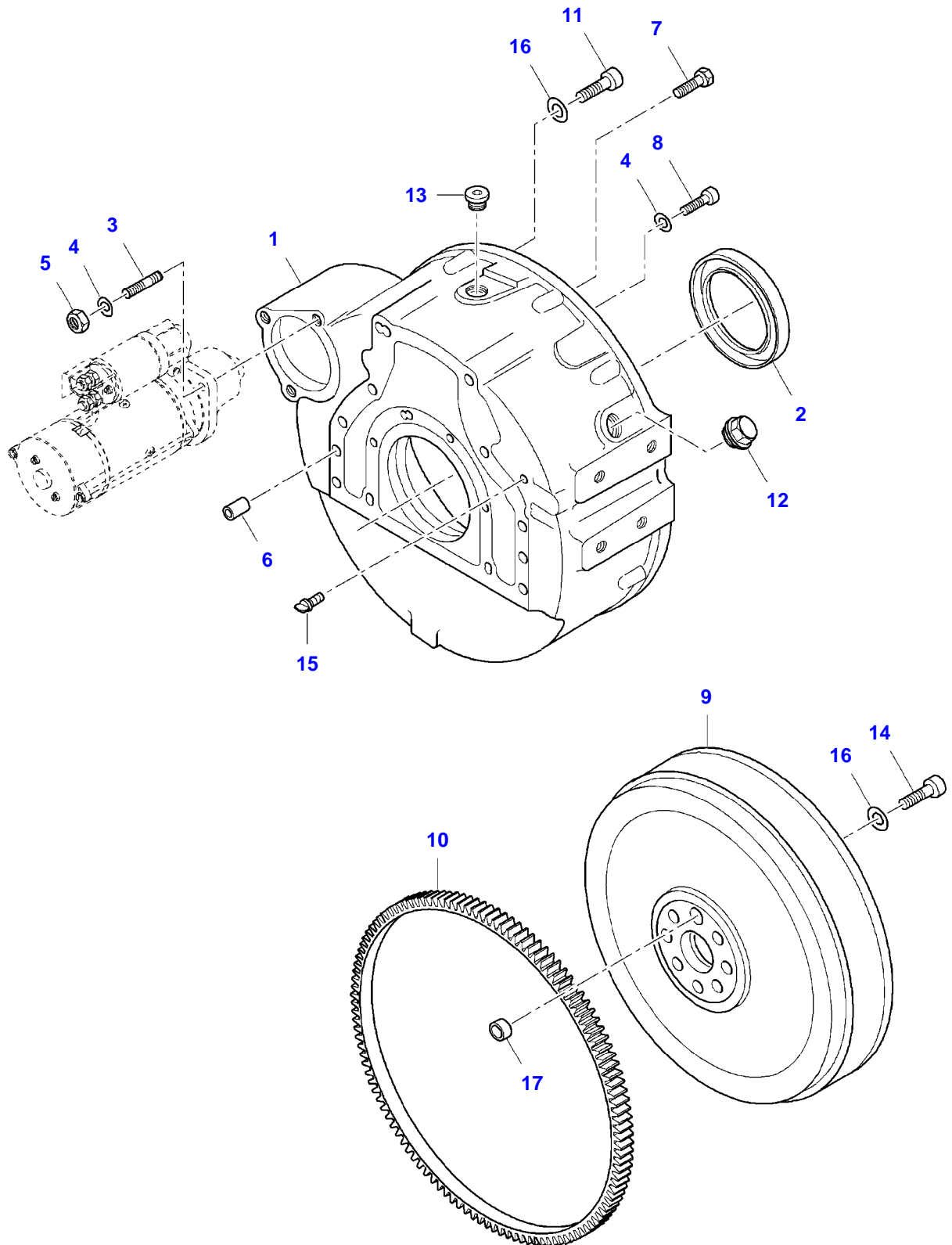


TIMING GEARS AND HOUSING

Item	Part Number	Qty	Description Comments
1	V837073565	1	TIMING GEAR CASE
2	V581804600	10	HEX SOCKET SCREW
3	V528801400	2	HEX CAP SCREW
4	V598359850	3	PIN
5	V529801470	3	HEX CAP SCREW
6	V529801540	1	HEX CAP SCREW
7	V837073583	1	IDLER GEAR
8	V581705910	1	HEX SOCKET SCREW
9	V529801440	9	HEX CAP SCREW
10	V528801062	1	HEX CAP SCREW
11	V614601718	1	O-RING
12	V640045022	1	PLUG
13	V615882227	1	SEALING WASHER [B]
14	V837073566	1	GEAR HOUSING FRONT COVER
15	V528801380	2	HEX CAP SCREW
16	V615870814	2	SEALING WASHER [B]
17	V836840883	1	CRANKSHAFT SEAL [A]
	V836840883	1	CRANKSHAFT SEAL [B]
18	V836017927	1	CAP
19	V614603540	1	O-RING [B]
20	V528801410	6	HEX CAP SCREW
21	V836120989	1	WASHER
22	V529801520	1	HEX CAP SCREW
23	V836855636	1	SHIELD

[A] INCLUDED IN KIT V837079467
[B] INCLUDED IN KIT V837079464

6335C COMBINE (STAGE 3B / TIER 4I) (564000111-999)
8024546-F5-1

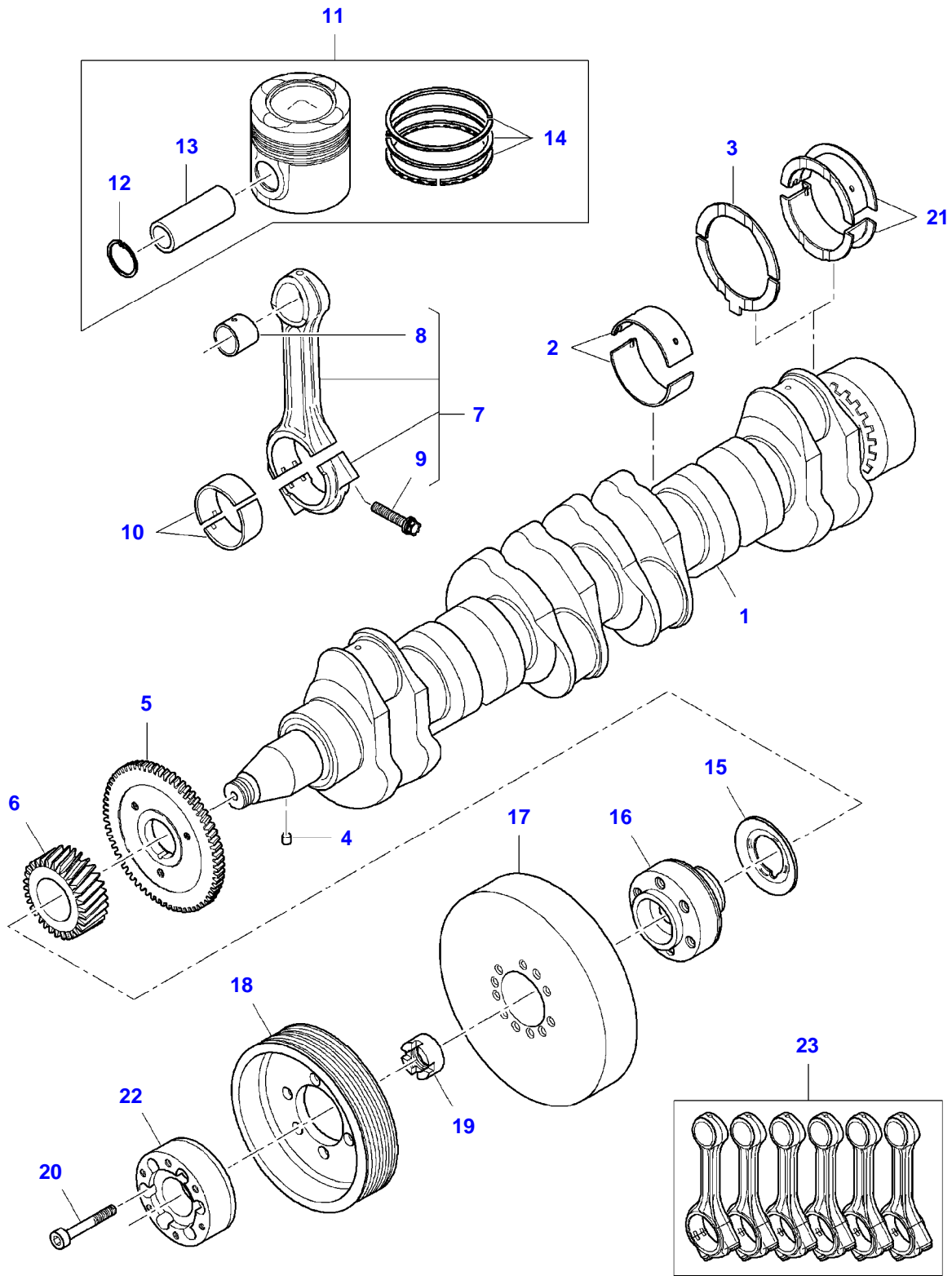


FLYWHEEL AND HOUSING

Item	Part Number	Qty	Description Comments
1	V836647440	1	FLYWHEEL HOUSING
2	V837079706	1	CRANKSHAFT SEAL [B]
3	V546801815	3	STUD BOLT
4	V500951000	6	SPRING WASHER
5	V504601000	3	NUT
6	V598359850	2	PIN
7	V528902220	6	HEX CAP SCREW
8	V581705030	6	HEX SOCKET SCREW
9	V836864270	1	FLYWHEEL
10	V836117970	1	STARTER RING
11	V581705440	2	HEX SOCKET SCREW
12	V640045126	1	PLUG
13	V640325018	1	PLUG
14	V528702620	8	HEX CAP SCREW
15	V836859311	1	PLUG
16	V500951200	1	SPRING WASHER
17			PART NOT USED

[B] INCLUDED IN KIT V837079464

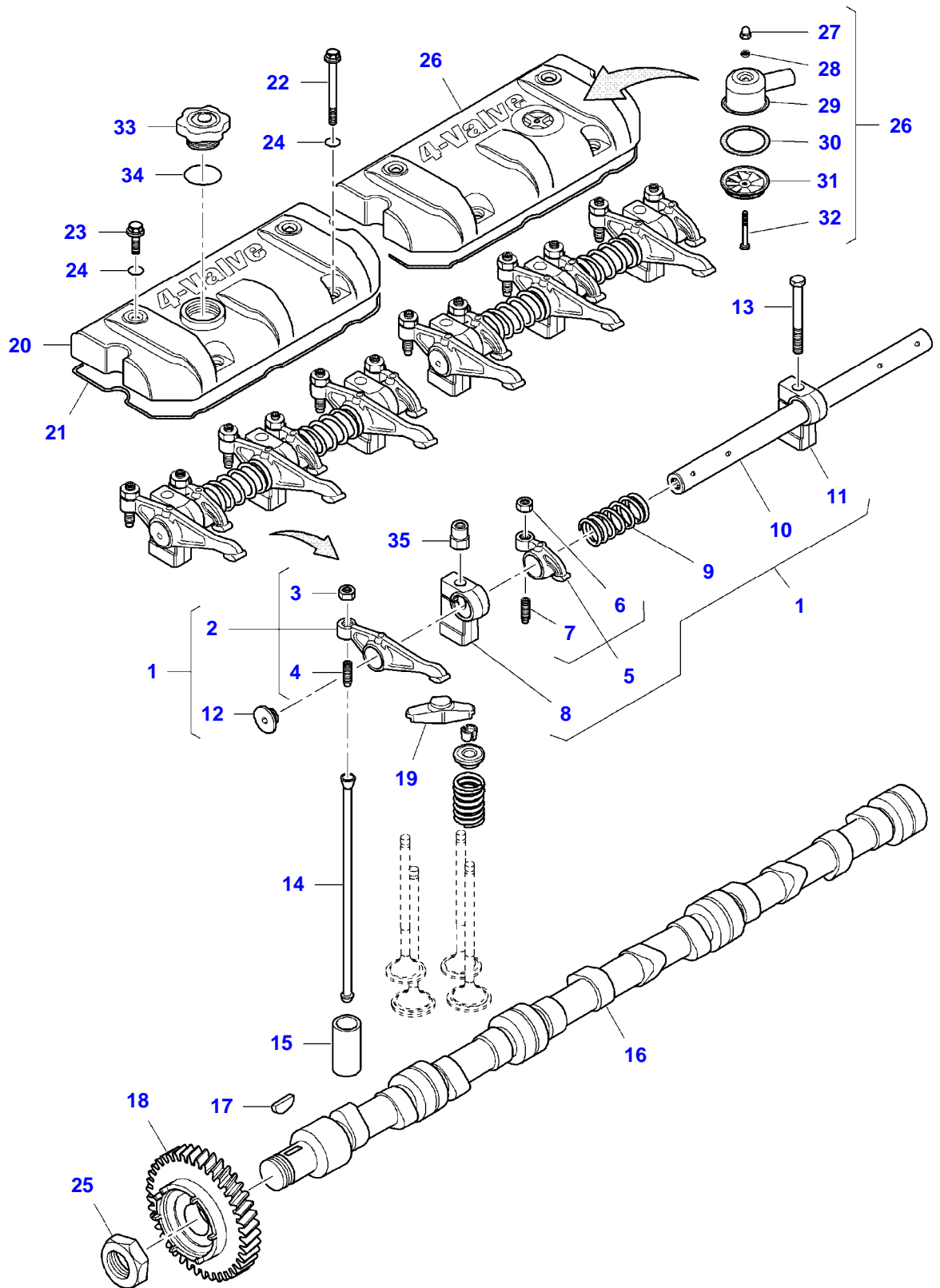
6335C COMBINE (STAGE 3B / TIER 4I) (564000111-999)
8024523-F5-1



CRANKSHAFT AND PISTONS

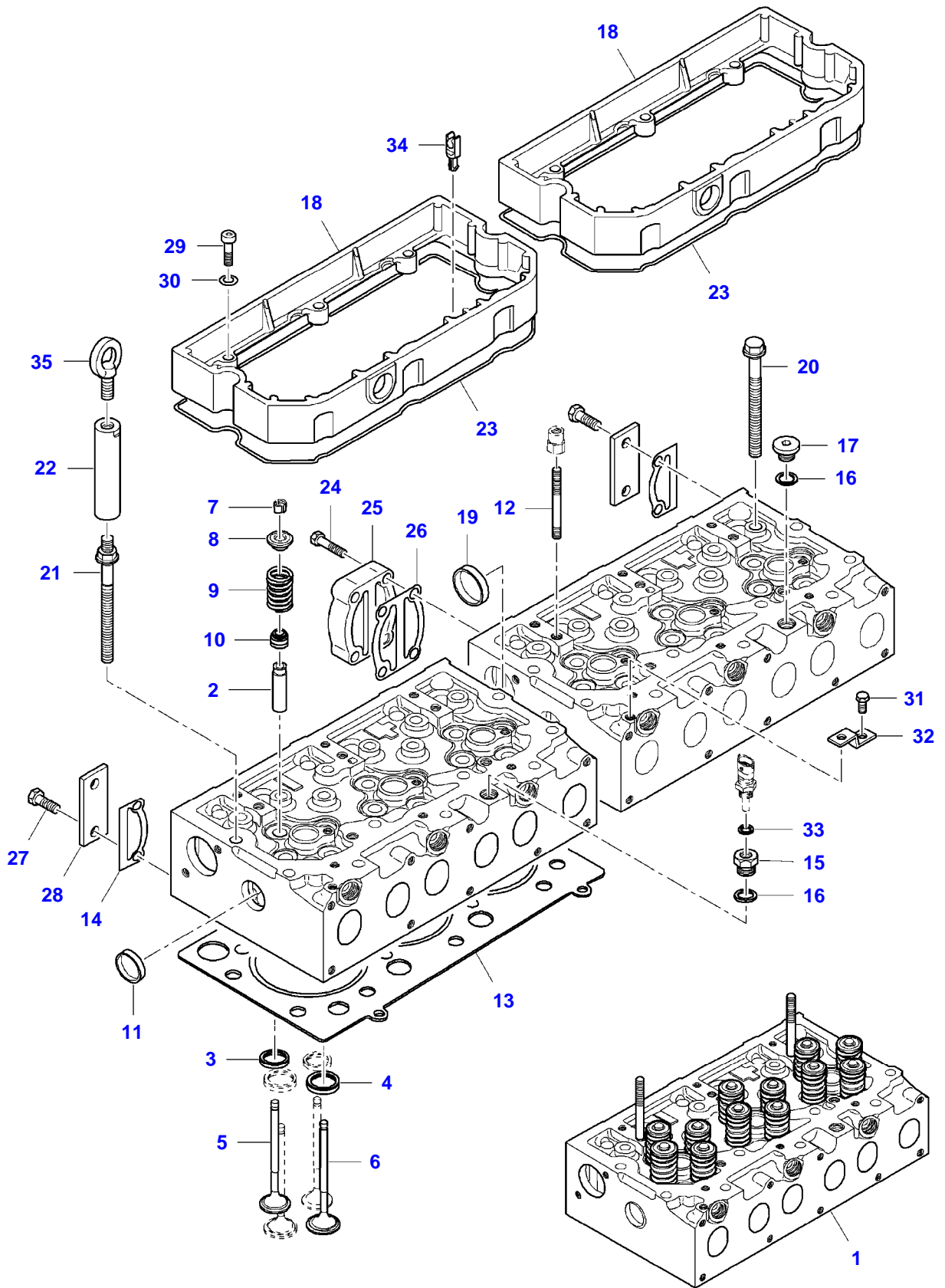
Item	Part Number	Qty	Description Comments	Technical Specification
1	V837073996	1	CRANKSHAFT	
2	V836840944	6	MAIN BEARING n° 1...6 STD	STD
	V836840978	X	MAIN BEARING 89,735 mm 89,770 mm	+ 0.25 MM
	V836840979	X	MAIN BEARING 89,485 mm 89,520 mm	+ 0.50 MM
	V836840980	X	MAIN BEARING 88,985 mm 89,020 mm	
	V836840981	X	MAIN BEARING 88,485 mm 88,520 mm	
3	V836840945	2	THRUST WASHER	
	V836840982	X	THRUST WASHER	+ 0.10 MM
	V836840983	X	THRUST WASHER	+ 0.20 MM
4	V836867857	1	KEY	
5	V836874040	1	GEAR,CRANKSHAFT STANDARD	
6	V837073560	1	GEAR,CRANKSHAFT	
7	NS	6	NON-SERVICEABLE PART	
8	V836864288	6	BEARING BUSH	
	V836338606	X	BEARING BUSH	+ 0.50 MM
9	V836873510	12	CONNECTING ROD BOLT	
10	V837062996	6	CONROD BEARING	
	V836338650	X	BEARING SHELL 72,731 mm 72,750 mm	+0.25
	V836338651	X	BEARING SHELL 72,481 mm 72,500 mm	
	V836338652	X	BEARING SHELL 71,981 mm 72,000 mm	
	V836338653	X	BEARING SHELL 71,481 mm 71,500 mm	
11	V837074083	6	PISTON	
12	NS	2	NON-SERVICEABLE PART	
13	NS	1	NON-SERVICEABLE PART	
14	V837079459	1	PISTON RING KIT	
15	V836855637	1	RING	
16	V837073679	1	CRANKSHAFT HUB	
17	V836884616	1	CRANKSHAFT VIBRATION DAMPENER	
18	V836867472	1	PULLEY	
19	V836847641	1	CRANKSHAFT NUT	
20	V581705490	6	HEX SOCKET SCREW	
21	V836879152	1	MAIN BEARING N°7 STD 89,985...90,020	STD
22	V837070345	1	SPACER	
23	V837079475	1	CONNECTING ROD KIT	

6335C COMBINE (STAGE 3B / TIER 4I) (564000111-999)
8024548-F5-1



Item	Part Number	Qty	Description Comments
1	V837069016	2	ROCKER SHAFT ASM
2	V837069011	6	ROCKER ARM
3	V512861000	6	NUT
4	V837069023	6	VALVE ROCKER ADJUSTMENT SCREW
5	V837069013	6	ROCKER ARM
6	V512861000	6	NUT
7	V837069023	6	VALVE ROCKER ADJUSTMENT SCREW
8	V837069017	4	ROCKER SHAFT BRACKET
9	V837069019	4	SPRING
10	V837069015	2	SHAFT
11	V837069018	2	ROCKER SHAFT BRACKET
12	V837069020	4	PLUG
13	V529801910	2	HEX CAP SCREW
14	V837069014	12	PUSH ROD
15	V836014264	12	TAPPET
16	V837069101	1	CAMSHAFT
17	V603305760	1	WOODRUFF KEY
18	V837073562	1	GEAR,CAMSHAFT
19	V837073089	12	VALVE BRIDGE
20	V837070447	1	VALVE ROCKER COVER
21	V837067881	2	VALVE ROCKER COVER GASKET [B]
22	V540801910	4	HEXAGON FLANGE BOLT
23	V540801780	4	HEXAGON FLANGE BOLT
24	V614901030	8	O-RING [B]
25	V837069085	1	NUT
26	V837070452	1	VALVE ROCKER COVER
27	V519600602	1	NUT
28	V836667508	1	SEALING WASHER
29	V837070442	1	BREATHER CAP
30	V836667459	1	GASKET
31	V837070443	1	BREATHER
32	V528801172	1	HEX CAP SCREW
33	V836659968	1	OIL FILLER CAP
34	V614704850	1	O-RING [A]
35	V836655406	4	SLEEVE NUT [A] INCLUDED IN KIT V837079466 [B] INCLUDED IN KIT V837079463

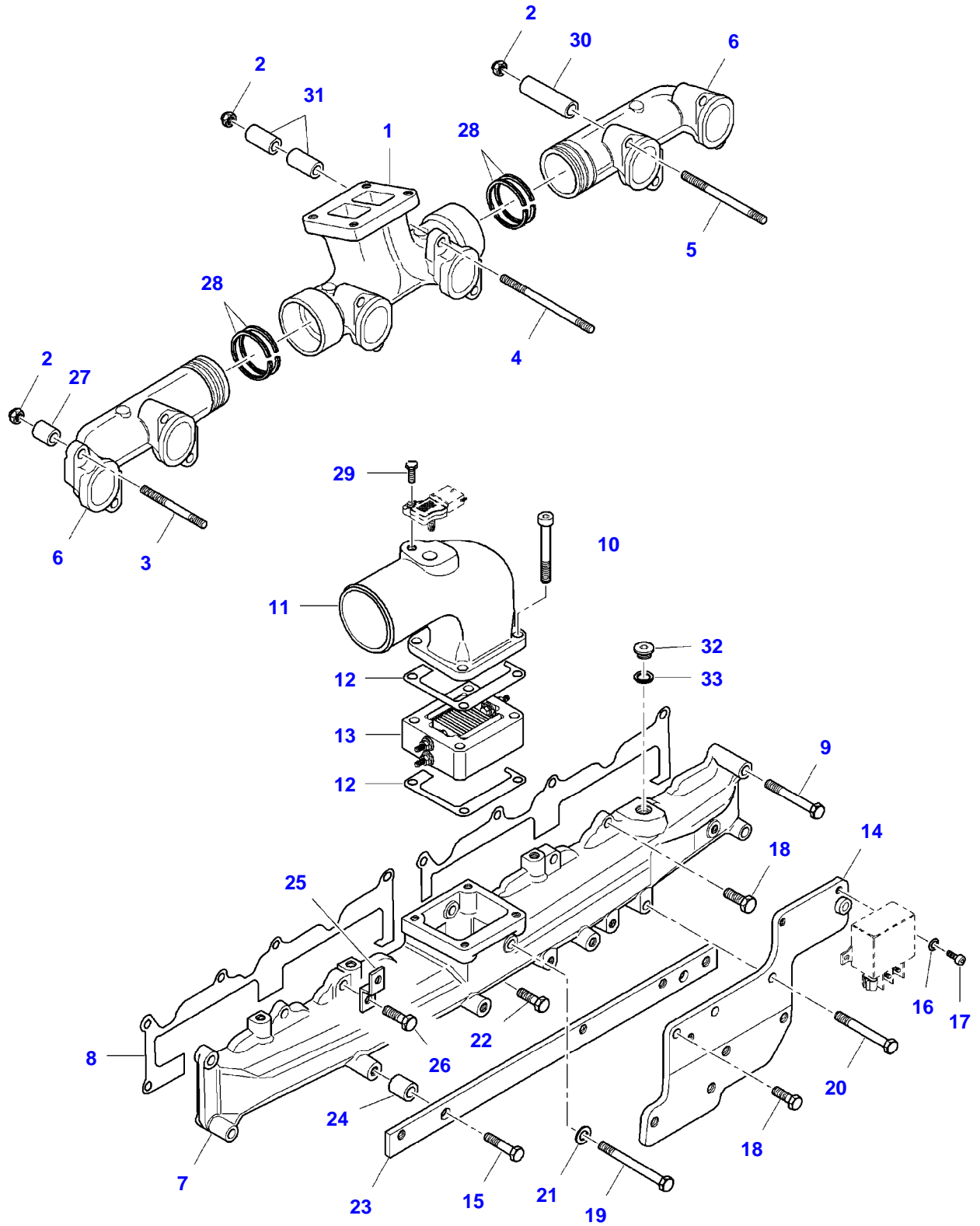
6335C COMBINE (STAGE 3B / TIER 4I) (564000111-999)
8024637-F5-1



CYLINDER HEAD

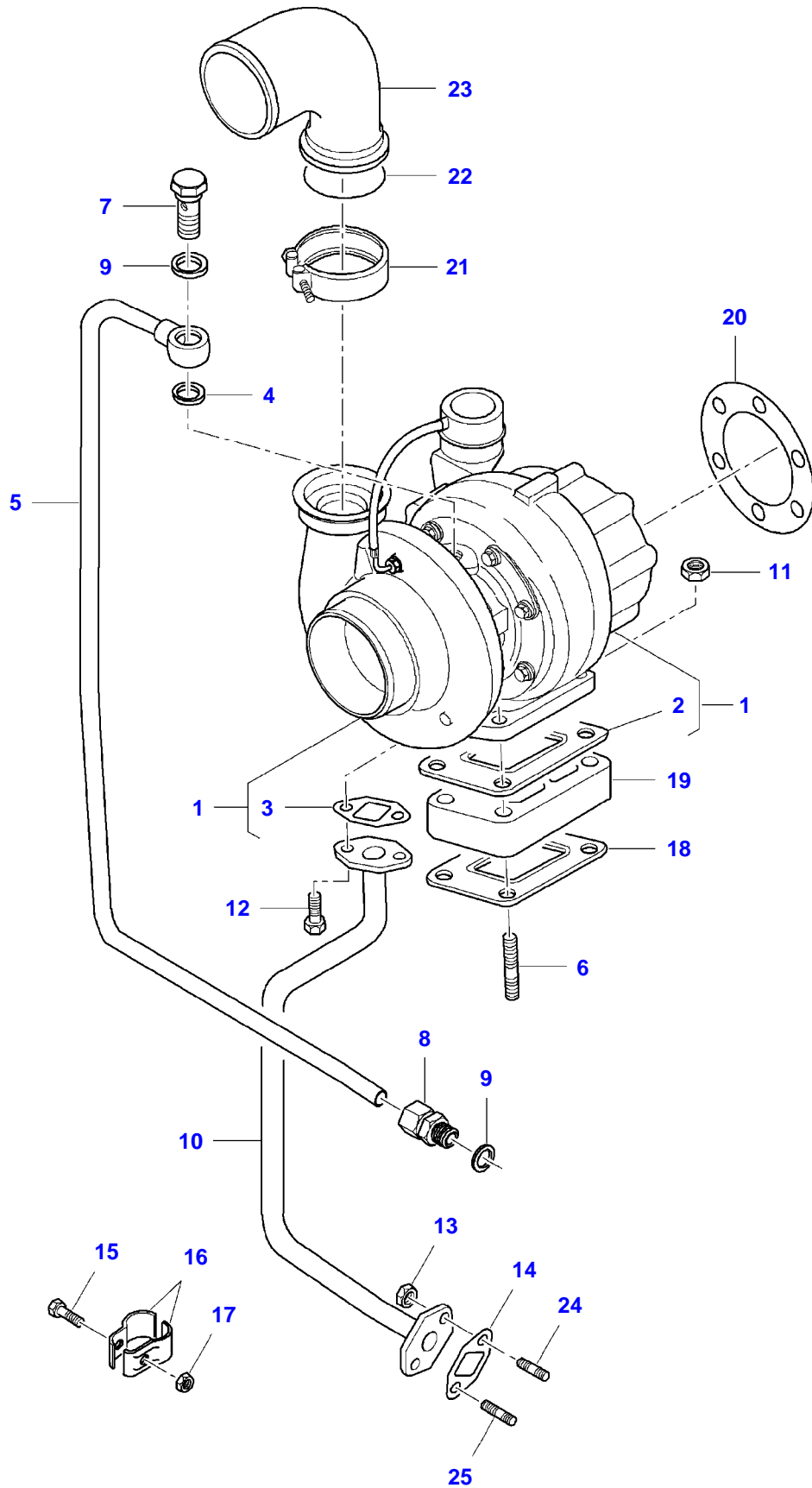
Item	Part Number	Qty	Description Comments	Technical Specification
1	V837073233	2	CYLINDER HEAD INCLUDES ITEMS 2-12	
2	V837073174	24	VALVE GUIDE	
3	V837064907	12	VALVE SEAT	STD 4V EXHAUST
	V837070187	X	VALVE SEAT	4V EXHAUST + 0.20 MM
4	V837064908	12	VALVE SEAT	STD 4V INTAKE
	V837070188	X	VALVE SEAT	4V INTAKE + 0.20 MM
5	V837069002	12	EXHAUST VALVE	
6	V837069003	12	INTAKE VALVE	
7	V837064910	48	COTTER	
8	V837069004	24	SPRING PLATE	
9	V837069005	24	VALVE SPRING	
10	V837073165	24	VALVE STEM GASKET [B]	
11	V836647942	8	CUP PLUG	
12	V546801900	4	STUD BOLT	
13	V837070290	2	CYLINDER HEAD GASKET [B]	
14	V836867753	2	GASKET [B]	
15	V836119643	1	THREADED NIPPLE	
16	V615881822	2	SEALING WASHER [B]	
17	V640325018	1	PLUG	
18	V837084220	2	VALVE ROCKER COVER FRAME	
19	V640016045	1	CUP PLUG	
20	V837069025	32	CYLINDER HEAD BOLT	
21	V837073571	2	CYLINDER HEAD BOLT	
22	V836867567	2	LIFTING EYE EXTENSION	
23	V837067881	2	VALVE ROCKER COVER GASKET [B]	
24	V528801830	4	HEX CAP SCREW	
25	V836855348	1	CONNECTION FLANGE	
26	V836867752	1	GASKET [B]	
27	V528801800	4	HEX CAP SCREW	
28	V836855350	2	BLOCK OFF PLATE	
29	V581804630	6	HEX SOCKET SCREW	
30	V500950800	6	SPRING WASHER	
31	V528801360	1	HEX CAP SCREW	
32	V836747849	1	SUPPORT	
33	V615881418	1	SEALING WASHER [B]	
34	V837073227	4	BAND	
35	V836640752	2	LIFT EYE [B] INCLUDED IN KIT V837079463	

6335C COMBINE (STAGE 3B / TIER 4I) (564000111-999)
8024940-F5-1



Item	Part Number	Qty	Description Comments
1	V836873440	1	EXHAUST MANIFOLD
2	V513601002	12	NUT
3	V836859188	2	STUD BOLT
4	V836667960	1	STUD BOLT
5	V836859034	9	STUD BOLT
6	V836873441	2	EXHAUST MANIFOLD
7	V837070219	1	INTAKE MANIFOLD
8	V837069009	2	INTAKE MANIFOLD GASKET [A]
9	V529801470	3	HEX CAP SCREW
10	V581804702	4	HEX SOCKET SCREW
11	V836867579	1	AIR PIPE
12	V837067345	2	GASKET [A]
13	V837067295	1	INTAKE AIR PREHEATER
14	V837074029	1	BRACKET
15	V529801440	2	HEX CAP SCREW
16	V500050642	2	WASHER
17	V581804182	2	HEX SOCKET SCREW
18	V528801400	4	HEX CAP SCREW
19	V529801550	1	HEX CAP SCREW
20	V529801530	2	HEX CAP SCREW
21	V836015967	1	SEALING WASHER [A]
22	V528801410	7	HEX CAP SCREW
23	V837073959	1	SUPPORT
24	V836119384	2	SPACER PIECE
25	V836747849	1	SUPPORT
26	V528801420	1	HEX CAP SCREW
27	V836664012	2	SPACER PIECE
28	V837073503	4	SEALING RING
29	V528801082	1	HEX CAP SCREW
30	V837073052	9	SPACER PIECE
31	V836664013	2	SPACER PIECE
32	V640325014	1	PLUG
33	V615881420	1	SEALING WASHER [A] INCLUDED IN KIT V837079463

6335C COMBINE (STAGE 3B / TIER 4I) (564000111-999)
8024941-F5-1

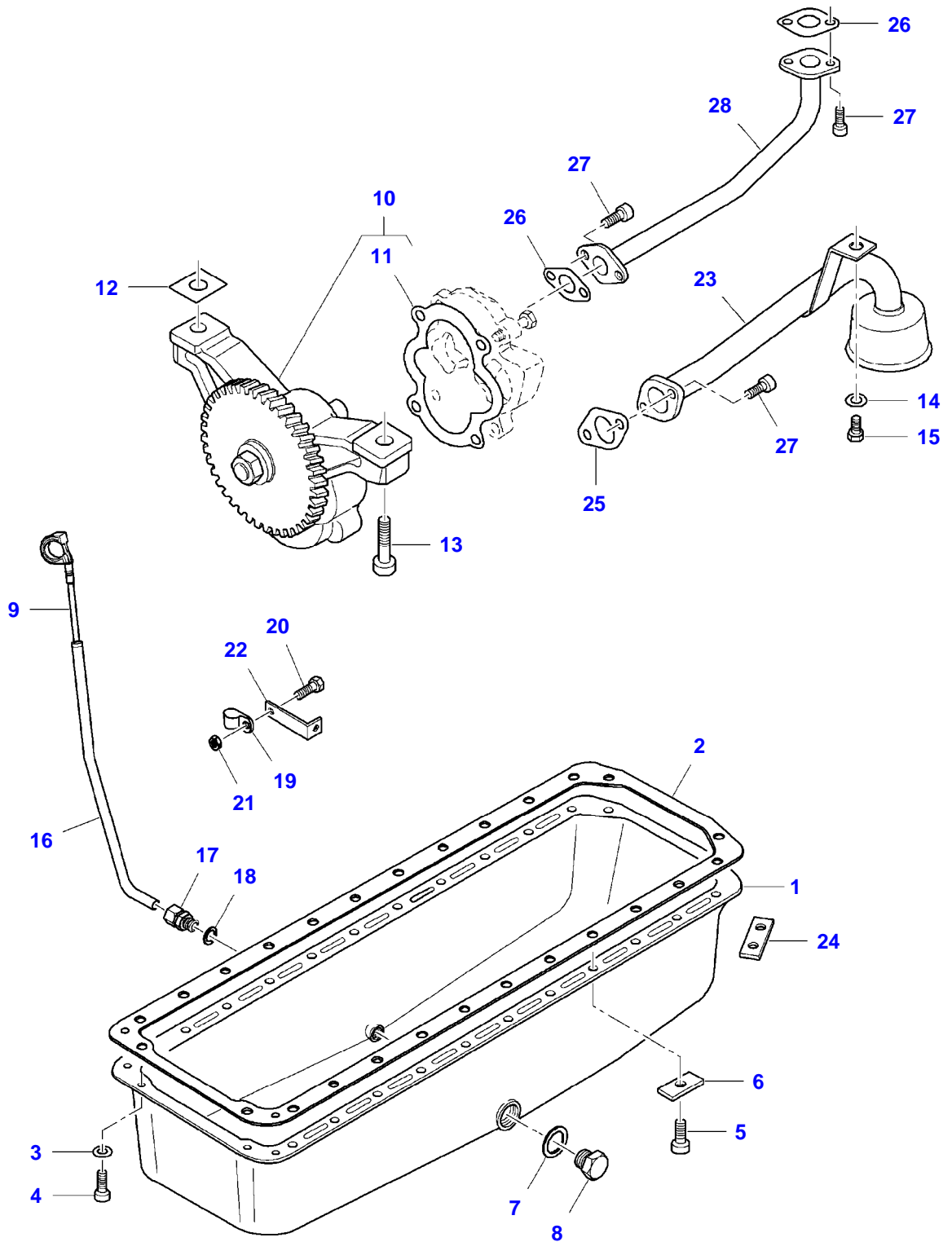


8024941-F5-1

TURBOCHARGER

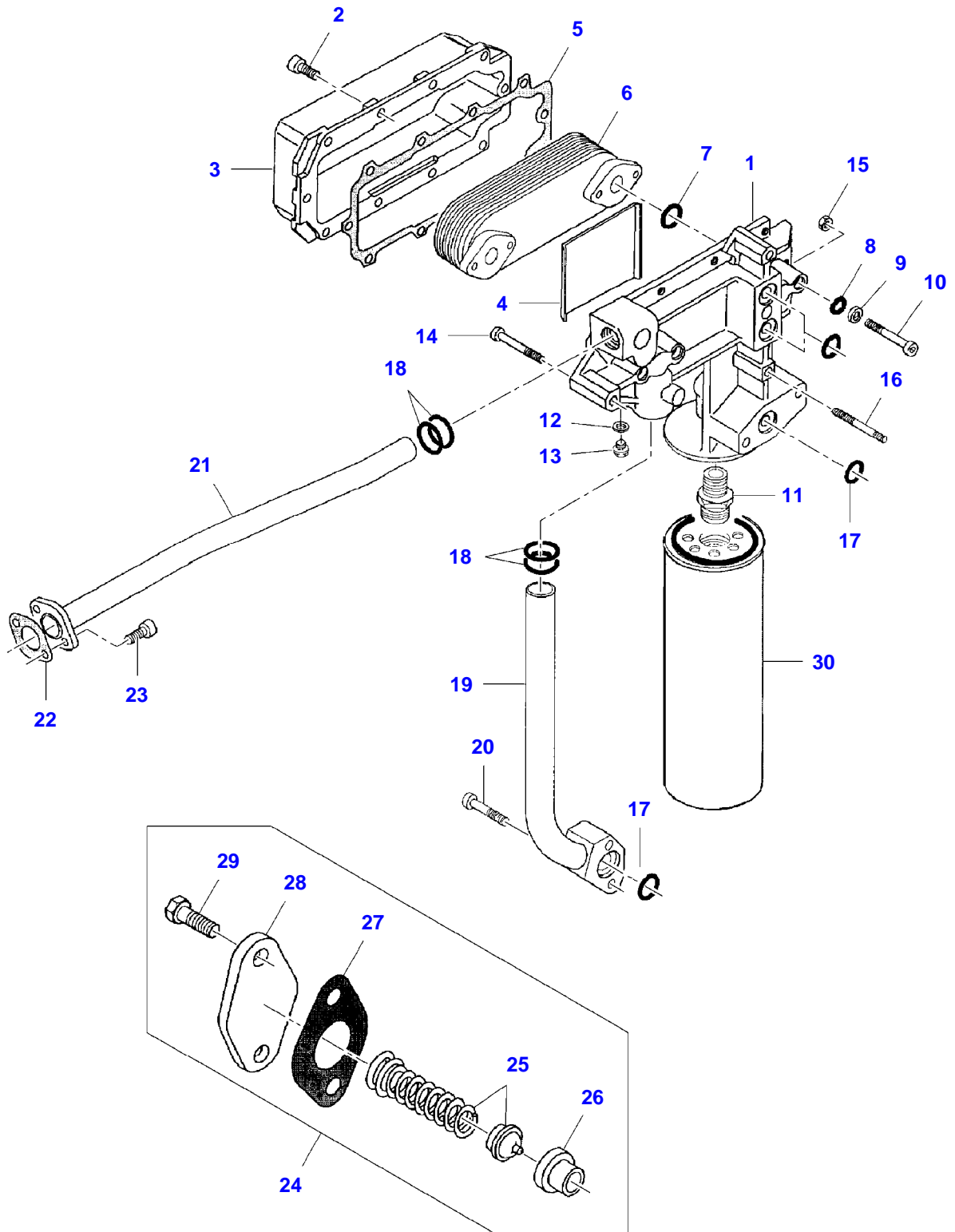
Item	Part Number	Qty	Description Comments
1	V836873827	1	TURBOCHARGER
2	V836840992	1	GASKET [A]
3	V836324580	1	GASKET [A]
4	V615881420	1	SEALING WASHER [A]
5	V836867822	1	OIL PIPE
6	V546701850	4	STUD BOLT
7	V836855714	1	BANJO BOLT
8	V641086012	1	STRAIGHT FITTING
9	V615881620	1	SEALING WASHER [A]
10	V836867823	1	TURBOCHARGER LUBRICATION OIL PIPE
11	V521601000	4	NUT
12	V528801380	2	HEX CAP SCREW
13	V504800800	2	NUT
14	V836324580	1	GASKET
15	V529801112	1	HEX CAP SCREW
16	V835324324	2	PIPE CLAMP HALF
17	V504600602	1	NUT
18	V836840992	1	GASKET [A]
19	V836855709	1	FLANGE
20	V886325175	1	GASKET [A]
21	V836840930	1	V CLAMP
22	V614605930	1	O-RING
23	V836867533	1	AIR PIPE
24	V546801360	1	STUD BOLT
25	V546801400	1	STUD BOLT [A] INCLUDED IN KIT V837079463

6335C COMBINE (STAGE 3B / TIER 4I) (564000111-999)
8024942-F5-1



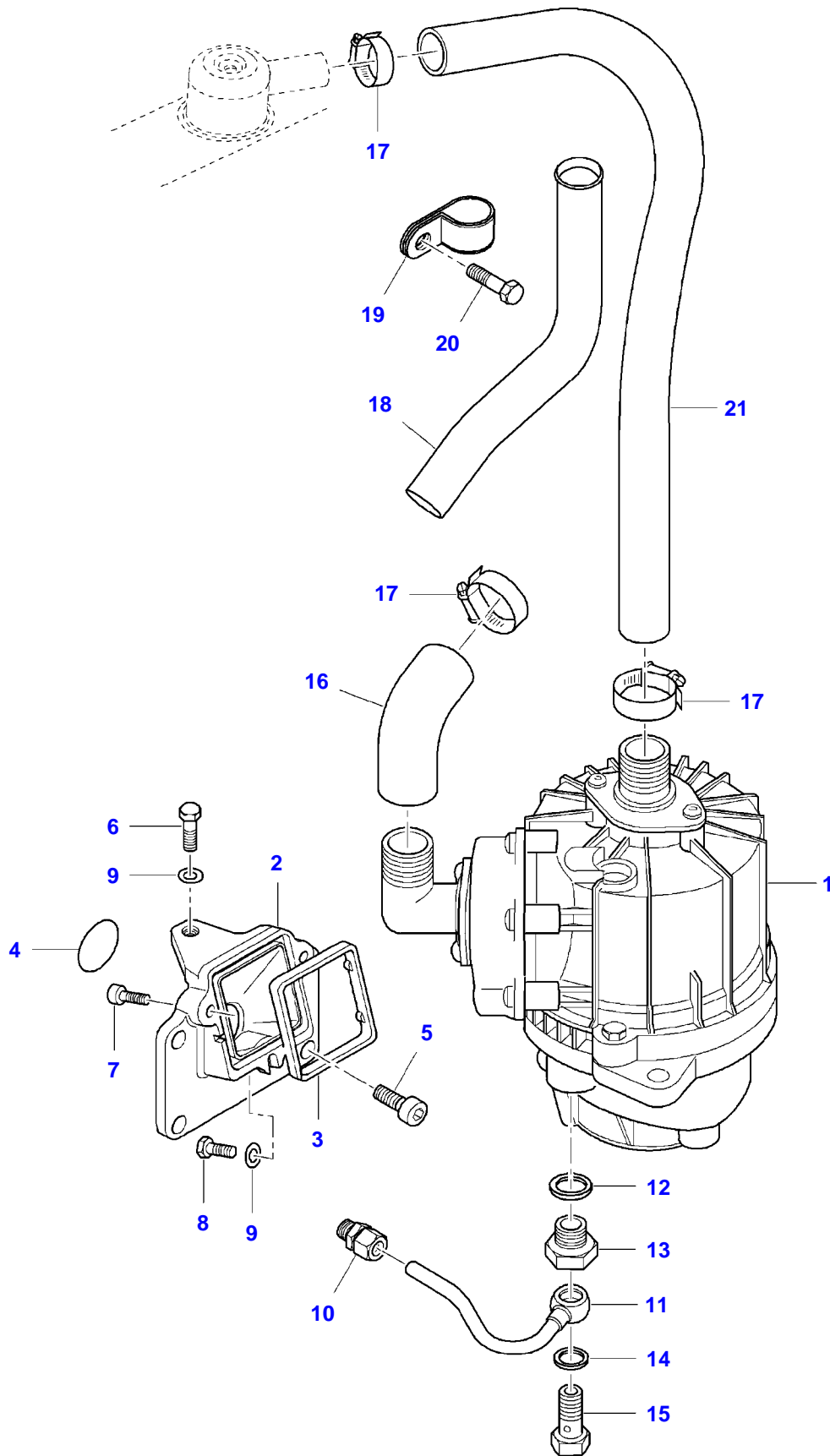
Item	Part Number	Qty	Description Comments
1	V836347308	1	OIL SUMP
2	V836322538	1	OIL SUMP GASKET [A]
3	V500950800	4	SPRING WASHER
4	V580804600	4	HEX SOCKET SCREW
5	V580805000	24	HEX SOCKET SCREW
6	V836859560	20	WASHER
7	V615882227	1	SEALING WASHER [A]
8	V640045022	1	PLUG
9	V836867888	1	DIPSTICK
10	V836874180	1	LUBRICATING OIL PUMP UP TO ENGINE S/N Z12056
	V836874208	1	OIL PUMP FROM ENGINE S/N Z12057
11	V836338188	1	GASKET [A]
12	V836007871	X	SHIM
13	V581805050	2	HEX SOCKET SCREW
14	V500150840	1	WASHER
15	V528801362	1	HEX CAP SCREW
16	V836867889	1	OIL DIPSTICK GUIDE PIPE
17	V641086012	1	STRAIGHT FITTING
18	V615881622	1	SEALING WASHER [A]
19	V602060612	1	RETAINER CLAMP
20	V528801382	1	HEX CAP SCREW
21	V504800800	1	NUT
22	V836652081	1	SUPPORT
23	V836855674	1	OIL PUMP SUCTION PIPE
24	V836859561	2	WASHER
25	V836338201	1	GASKET [A]
26	V836008449	2	GASKET UP TO ENGINE S/N Z12056 [A]
	V614702230	2	O-RING FROM ENGINE S/N Z12057 [A]
27	V581804602	6	HEX SOCKET SCREW
28	V836855673	1	OIL PIPE UP TO ENGINE S/N Z12056
	V837074139	1	OIL PIPE FROM ENGINE S/N Z12057 [A] INCLUDED IN KIT V837079464

6335C COMBINE (STAGE 3B / TIER 4I) (564000111-999)
8015160-F5-1



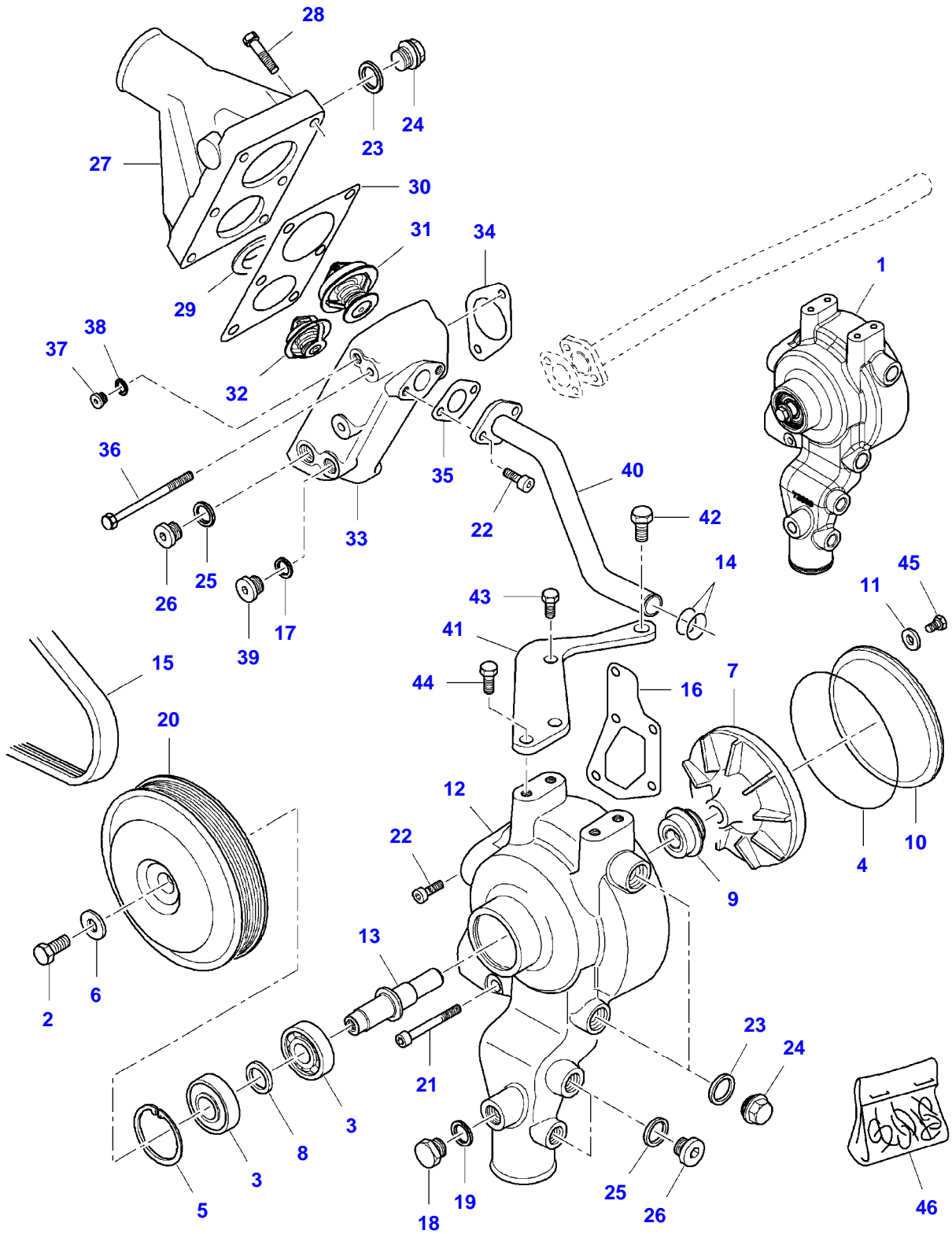
Item	Part Number	Qty	Description Comments
1	V836855522	1	OIL COOLER INCLUDES ITEMS 2-13
2	V581804620	10	HEX SOCKET SCREW
3	V836855519	1	HOUSING
4	V836855521	1	GUIDE
5	V836855520	1	GASKET [A]
6	V836855484	1	TUBING
7	V614602030	2	O-RING [A]
8	V614600724	4	O-RING [A]
9	V836855517	4	WASHER
10	V581804690	4	HEX SOCKET SCREW
11	V836338512	1	UNION
12	V615881216	1	SEALING WASHER [A]
13	V640305012	1	PLUG
14	V581804690	4	HEX SOCKET SCREW
15	V504800800	1	NUT
16	V546801494	1	STUD BOLT
17	V614602030	4	O-RING [A]
18	V614602430	4	O-RING [A]
19	V836855523	1	OIL PIPE
20	V581804650	2	HEX SOCKET SCREW
21	V836855639	1	WATER PIPE
22	V614602930	1	O-RING [A]
23	V581804600	2	HEX SOCKET SCREW
24	V836662130	1	OIL PRESSURE CONTROL VALVE
25	V836667650	1	SPRING ASSEMBLY
26	V836659521	1	VALVE SEAT
27	V836322190	1	GASKET [A]
28	V836659524	1	COVER
29	V528801380	2	HEX CAP SCREW
30	V836379588	1	ENGINE OIL FILTER [A] INCLUDED IN KIT V837079464

6335C COMBINE (STAGE 3B / TIER 4I) (564000111-999)
8024944-F5-1



Item	Part Number	Qty	Description Comments
1	V837073734	1	CCV FILTER
2	V837073858	1	BRACKET
3	V837074132	1	GASKET
4	V836664226	1	O-RING
5	V581805000	4	HEX SOCKET SCREW
6	V528801102	1	HEX CAP SCREW
7	V581804202	2	HEX SOCKET SCREW
8	V528801082	1	HEX CAP SCREW
9	V500050642	1	WASHER
10	V641016008	1	STRAIGHT FITTING
11	V837073892	1	OIL PIPE
12	V615881822	1	SEALING WASHER
13	V836119643	1	THREADED NIPPLE
14	V615881420	1	SEALING WASHER
15	V640435010	1	BANJO BOLT
16	V837074038	1	BREATHER HOSE
17	V602078538	4	HOSE CLIP
18	V837073894	1	AIR PIPE
19	V602074525	1	HOSE CLIP
20	V529901420	1	HEX CAP SCREW
21	V837074052	1	HOSE

6335C COMBINE (STAGE 3B / TIER 4I) (564000111-999)
8024943-F5-1



Item	Part Number	Qty	Description Comments
			UP TO ENGINE S/N Z23464
1	V837073601	1	WATER PUMP INCLUDES ITEMS 2-14
2	V528801780	1	HEX CAP SCREW
3	V610063044	2	BALL BEARING [A]
4	V614612530	1	O-RING [A][B]
5	V617330052	1	LOCK RING [A]
6	V836122910	1	WASHER
7	V836336047	1	IMPELLER
8	V836747716	1	SLEEVE
9	V836859452	1	WATER PUMP CARTRIDGE GASKET [A]
10	V836867624	1	PLATE
11	V836867659	3	WASHER
12	NS	1	NON-SERVICEABLE PART
13	V837073605	1	WATER PUMP SHAFT
14	V614602430	2	O-RING [A][C]
15	V685041022	1	MULTI-RIBBED BELT
16	V837073622	1	GASKET [A]
17	V615881418	1	SEALING WASHER [C]
18	V836119079	1	PLUG
19	V615881620	1	SEALING WASHER [A]
20	V837073606	1	WATER PUMP MULTI-RIBBED PULLEY
21	V581804702	2	HEX SOCKET SCREW
22	V581804600	6	HEX SOCKET SCREW
23	V615882227	3	SEALING WASHER [A][B]
24	V640045022	3	PLUG
25	V615881822	3	SEALING WASHER [A][B]
26	V640325018	3	PLUG
27	V836855602	1	WATER PIPE
28	V528801422	6	HEX CAP SCREW
29	V836336425	1	INTERMEDIATE PLATE
30	V836855603	1	GASKET [C]
31	V836331590	1	THERMOSTAT
32	V836015156	1	THERMOSTAT
33	V836855601	1	THERM. HOUSING
34	V836646393	1	GASKET [C]
35	V836322190	2	GASKET [C]
36	V529801550	2	HEX CAP SCREW
37	V640325110	1	SCREW PLUG
38	V615871014	1	SEALING WASHER [C]
39	V640325014	1	PLUG
40	V837073640	1	WATER PIPE
41	V837073777	1	SUPPORT
42	V528801780	1	HEX CAP SCREW
43	V528801360	1	HEX CAP SCREW
44	V528801382	2	HEX CAP SCREW
45	V528801052	3	HEX CAP SCREW
46	V837079407	1	WATER PUMP REPAIR KIT

Fendt

6335C COMBINE (STAGE 3B / TIER 4I) (564000111-999)

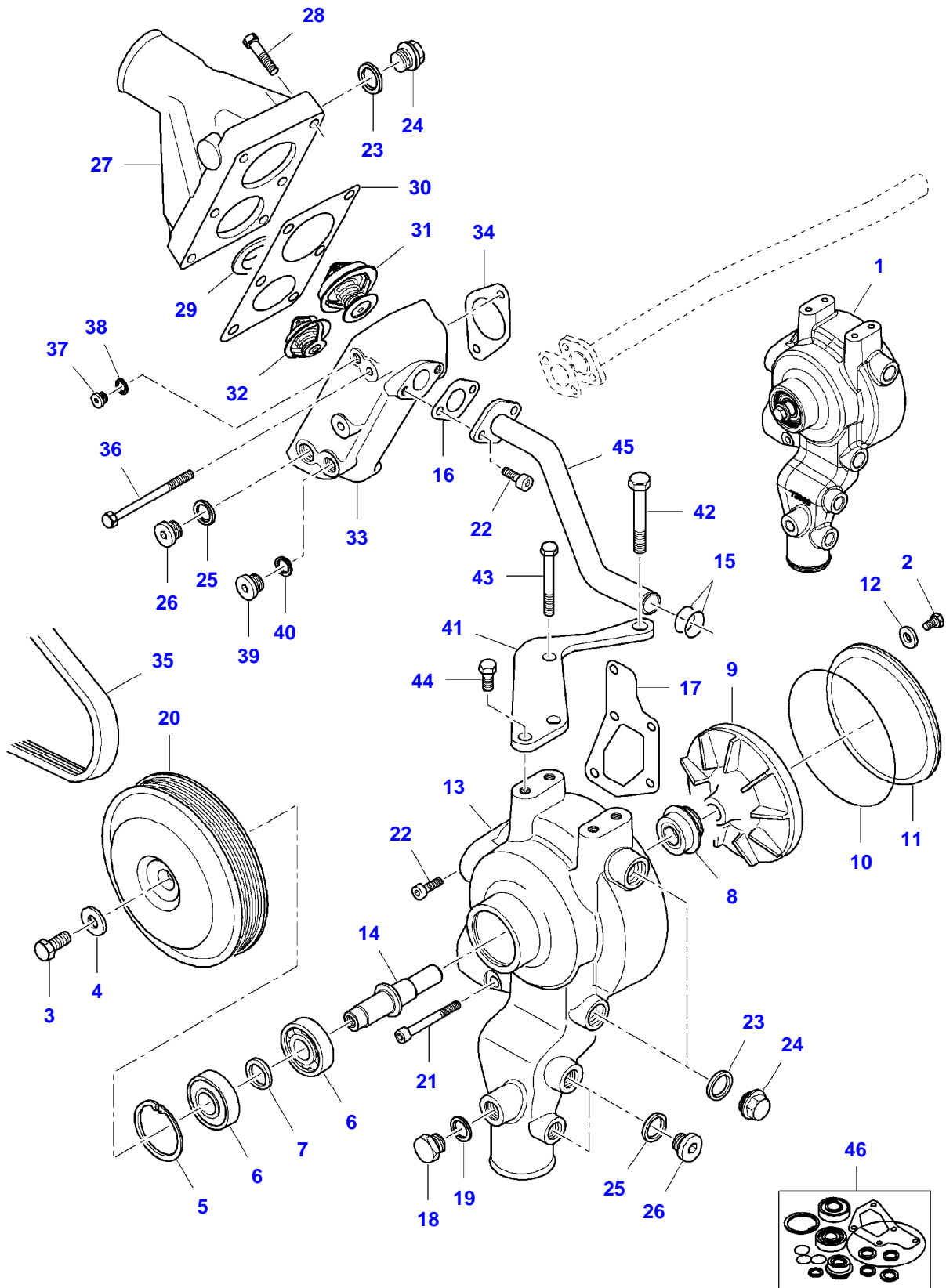
3906473

COOLANT PUMP AND THERMOSTAT

Page01-0013

Item	Part Number	Qty	Description	Comments
			[A] INCLUDED IN KIT V837079407	
			[B] INCLUDED IN KIT V837079464	
			[C] INCLUDED IN KIT V837079463	

6335C COMBINE (STAGE 3B / TIER 4I) (564000111-999)
8028740-F5-1



Item	Part Number	Qty	Description Comments	Technical Specification
			FROM ENGINE S/N Z23465	
1	V837079842	1	KIT,WATER PUMP INCLUDES ITEMS 2-17	
2	V528801052	3	HEX CAP SCREW	
3	V528801780	1	HEX CAP SCREW	
4	V837084546	1	WASHER	
5	V617330052	1	LOCK RING [C]	
6	V610063044	2	BALL BEARING [C]	
7	V836747716	1	SLEEVE	
8	V837073981	1	WATER PUMP CARTRIDGE GASKET [C]	
9	NS		NON-SERVICEABLE PART	
10	V614612530	1	O-RING [C]	
11	NS		NON-SERVICEABLE PART	
12	V836867659	3	WASHER	
13	NS		NON-SERVICEABLE PART	
14	NS		NON-SERVICEABLE PART	
15	V614602430	2	O-RING [A][C]	
16	V614602930	1	O-RING [A][C]	
17	V837073622	1	GASKET [C]	
18	VGR0277	1	PLUG	M16 (1.5)
19	VKH3635	1	SEALING WASHER [C]	16-20 X 1.5 MM
20	V837073606	1	WATER PUMP MULTI-RIBBED PULLEY	
21	V581804702	2	HEX SOCKET SCREW	
22	V581804602	4	HEX SOCKET SCREW	
23	V615882227	3	SEALING WASHER [B][C]	
24	V640045022	3	PLUG	
25	V615881822	3	SEALING WASHER [B][C]	
26	V640325018	3	PLUG	
27	V836855602	1	WATER PIPE	
28	V528801422	6	HEX CAP SCREW	
29	V836336425	1	INTERMEDIATE PLATE	
30	V836855603	1	GASKET [A]	
31	V836331590	1	THERMOSTAT	
32	V836015156	1	THERMOSTAT	
33	V836855601	1	THERM. HOUSING	
34	V836646393	1	GASKET [A]	
35	V685041022	1	MULTI-RIBBED BELT	
36	V529801550	2	HEX CAP SCREW	
37	V640325110	1	SCREW PLUG	
38	V615871014	1	SEALING WASHER [A]	
39	V640325014	1	PLUG	
40	VKH3618	1	SEAL RING [A]	Ø 14-18 X 1,5 MM
41	V837073777	1	SUPPORT	
42	V528801780	1	HEX CAP SCREW	
43	V528801360	1	HEX CAP SCREW	
44	V528801382	2	HEX CAP SCREW	
45	V837073640	1	WATER PIPE	
46	V837079851	1	WATER PUMP REPAIR KIT	



Suggest:

For more complete manuals. Please go to the home page.

<https://www.ebooklibonline.com>

If the above button click is invalid. Please download this document first, and then click the above link to download the complete manual.

Thank you so much for reading

Fendt

6335C COMBINE (STAGE 3B / TIER 4I) (564000111-999)

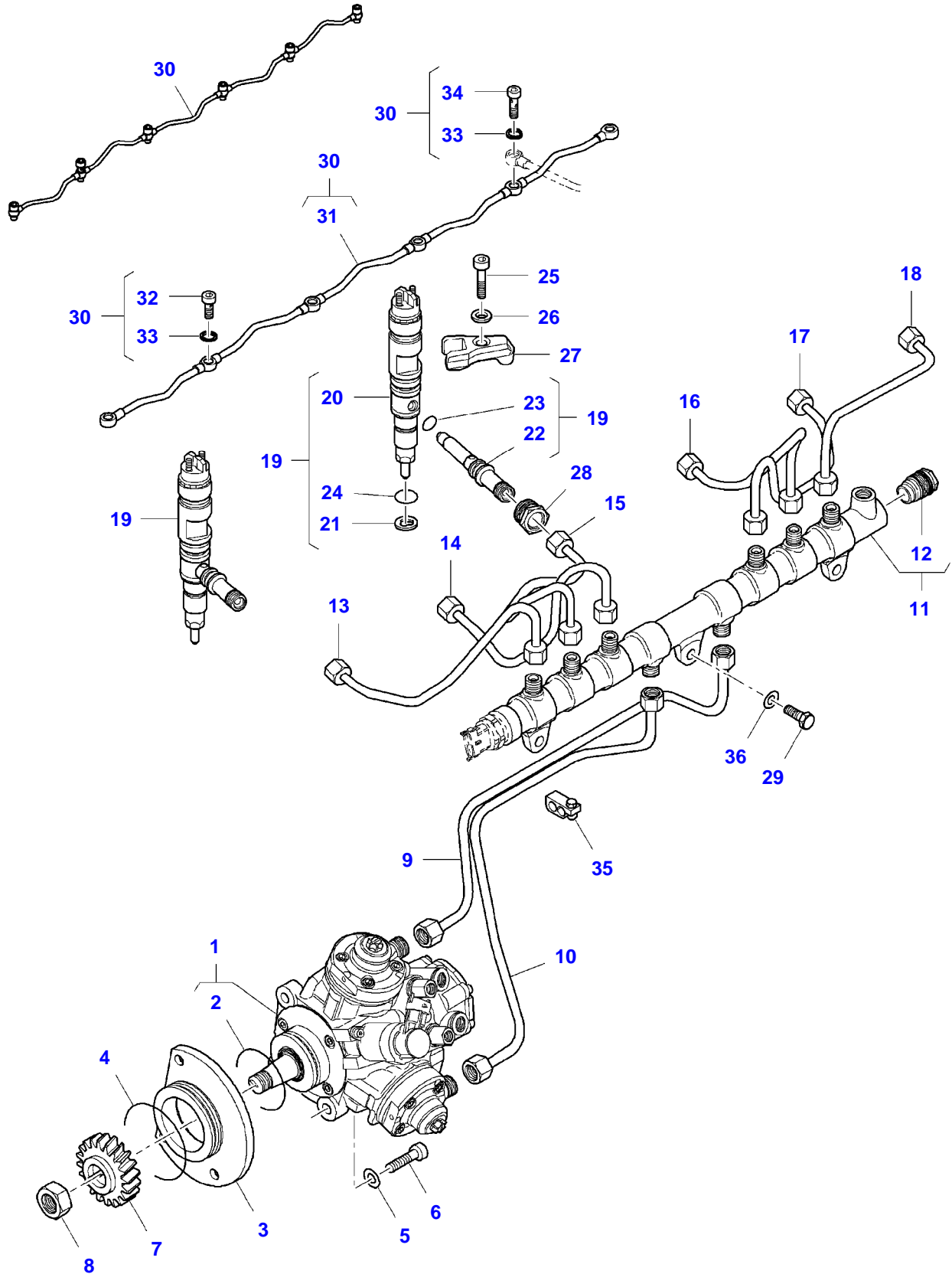
3906473

COOLANT PUMP AND THERMOSTAT

Page01-0014

Item	Part Number	Qty	Description Comments	Technical Specification
			[A] INCLUDED IN GASKET SET FOR CYLINDER HEAD	
			[B] INCLUDED IN GASKET SET FOR ENGINE	
			[C] INCLUDED IN KIT ITEM 46	

6335C COMBINE (STAGE 3B / TIER 4I) (564000111-999)
8024945-F5-1



<https://www.ebooklibonline.com>

Hello dear friend!

Thank you very much for reading.

Enter the link into your browser.

The full manual is available for immediate download.

<https://www.ebooklibonline.com>