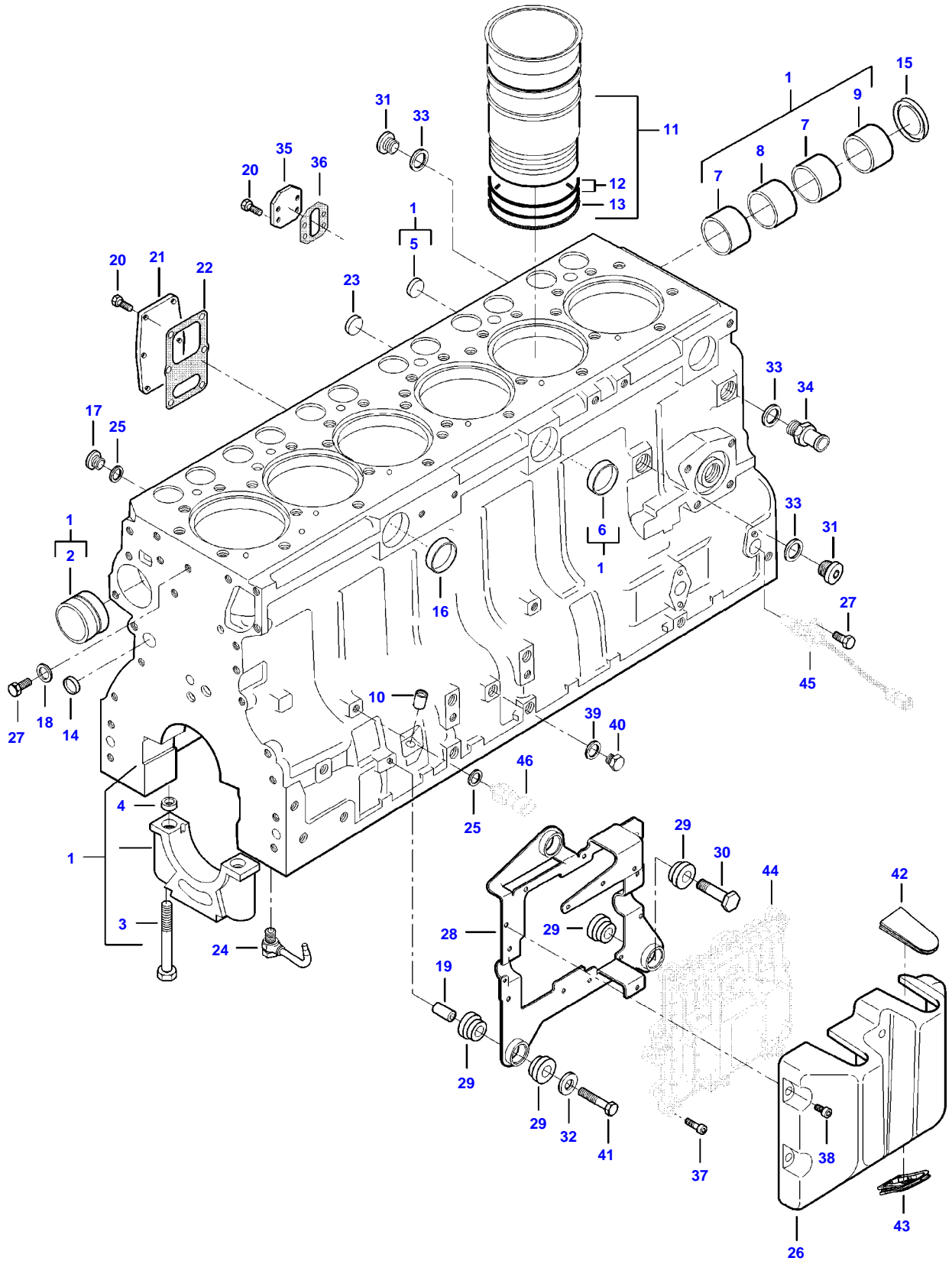


TABLE OF CONTENT

Page Number	Page Title	Page Reference
01-000-TOC	ENGINE V835077149 74 AWF	01-000-TOC
02-000-TOC	ENGINE ACW3382980 74 AWF	02-000-TOC
03-000-TOC	ENGINE INSTALLATION	03-000-TOC
04-000-TOC	DRIVE SYSTEM	04-000-TOC
05-000-TOC	AXLES	05-000-TOC
06-000-TOC	STEERING SYSTEM	06-000-TOC
07-000-TOC	DRIVE TRAIN SYSTEM	07-000-TOC
08-000-TOC	BRAKE SYSTEM	08-000-TOC
09-000-TOC	HYDRAULIC SYSTEM	09-000-TOC
10-000-TOC	ELECTRICAL SYSTEM	10-000-TOC
11-000-TOC	CAB	11-000-TOC
12-000-TOC	AIR CONDITIONING AND HEATING SYSTEM	12-000-TOC
13-000-TOC	CHASSIS	13-000-TOC
14-000-TOC	DECALS	14-000-TOC
15-000-TOC	WHEELS	15-000-TOC
16-000-TOC	FEEDING SYSTEM	16-000-TOC
17-000-TOC	THRESHING SYSTEM	17-000-TOC
18-000-TOC	CLEANING SYSTEM	18-000-TOC
19-000-TOC	GRAIN BIN AND ELEVATOR SYSTEM	19-000-TOC
20-000-TOC	DISCHARGE SYSTEM	20-000-TOC
21-000-TOC	ACCESSORIES	21-000-TOC

6275L COMBINE (STAGE 4 / TIER 4F & TIER 2) (ZN205650X03020001-999)
AP1E2620

AP1E2620



CYLINDER BLOCK

Item	Part Number	Qty	Description Comments	Technical Specification
1	V837084169	1	CYLINDER BLOCK	
2	V836866069	1	CAMSHAFT BEARING BUSH (1)	
3	V835329030	14	HEX CAP SCREW (1)	
4	V836214478	24	GUIDE SLEEVE (1)	
5	V640016018	1	CUP PLUG (1)	
6	V640016040	1	CUP PLUG (1)	
7	V836852460	2	CAMSHAFT BEARING BUSH (1)	
8	V837086315	1	CAMSHAFT BEARING BUSH (1)	
9	V836852461	1	CAMSHAFT BEARING BUSH (1)	
10	V640016012	1	CUP PLUG	
11	V836673191	6	LINER	D108 MM STD
12	V836647502	12	CYLINDER LINER O-RING (11) [B]	
13	V836647503	6	CYLINDER LINER O-RING (11) [B]	
14	V640016016	4	CUP PLUG	
15	V836852744	1	PLUG	
16	V640016040	2	CUP PLUG	
17	V640325110	6	SCREW PLUG	
18	V836015967	1	SEALING WASHER [B]	
19	V836855626	2	SPACER	
20	V528801382	10	HEX CAP SCREW	
21	V836846444	1	COVER	
22	V836322852	1	GASKET [B]	
23	V640016018	1	CUP PLUG	
24	V837074224	6	PISTON COOLING JET	
25	V615871016	7	SEALING WASHER [B]	
26	V837084080	1	COVER	
27	V528801362	2	HEX CAP SCREW	
28	V837084081	1	ECU BRACKET	
29	V837084129	6	DAMPER	
30	V837069056	1	HEX CAP SCREW	
31	V640325018	2	PLUG	
32	V501950842	2	WASHER	
33	V615881822	3	SEALING WASHER [B]	
34	V836119837	1	HOSE COUPLER	
35	V836866957	1	COVER	
36	V836866958	1	GASKET [B]	
37	V581804222	8	HEX SOCKET SCREW	
38	V581804182	6	HEX SOCKET SCREW	
39	V615881216	1	SEALING WASHER [B]	
40	V640045112	1	PLUG	
41	V529801432	2	HEX CAP SCREW	
42	V837084136	2	SHIELD	
43	V837084661	1	SHIELD	
44		1	SEE PAGE 01-0023	
45		1	SEE PAGE 01-0023	

<https://www.ebooklibonline.com>

Hello dear friend!

Thank you very much for reading.

Enter the link into your browser.

The full manual is available for immediate download.

<https://www.ebooklibonline.com>

Fendt

6275L COMBINE (STAGE 4 / TIER 4F & TIER 2) (ZN205650X03020001-999)

6246523

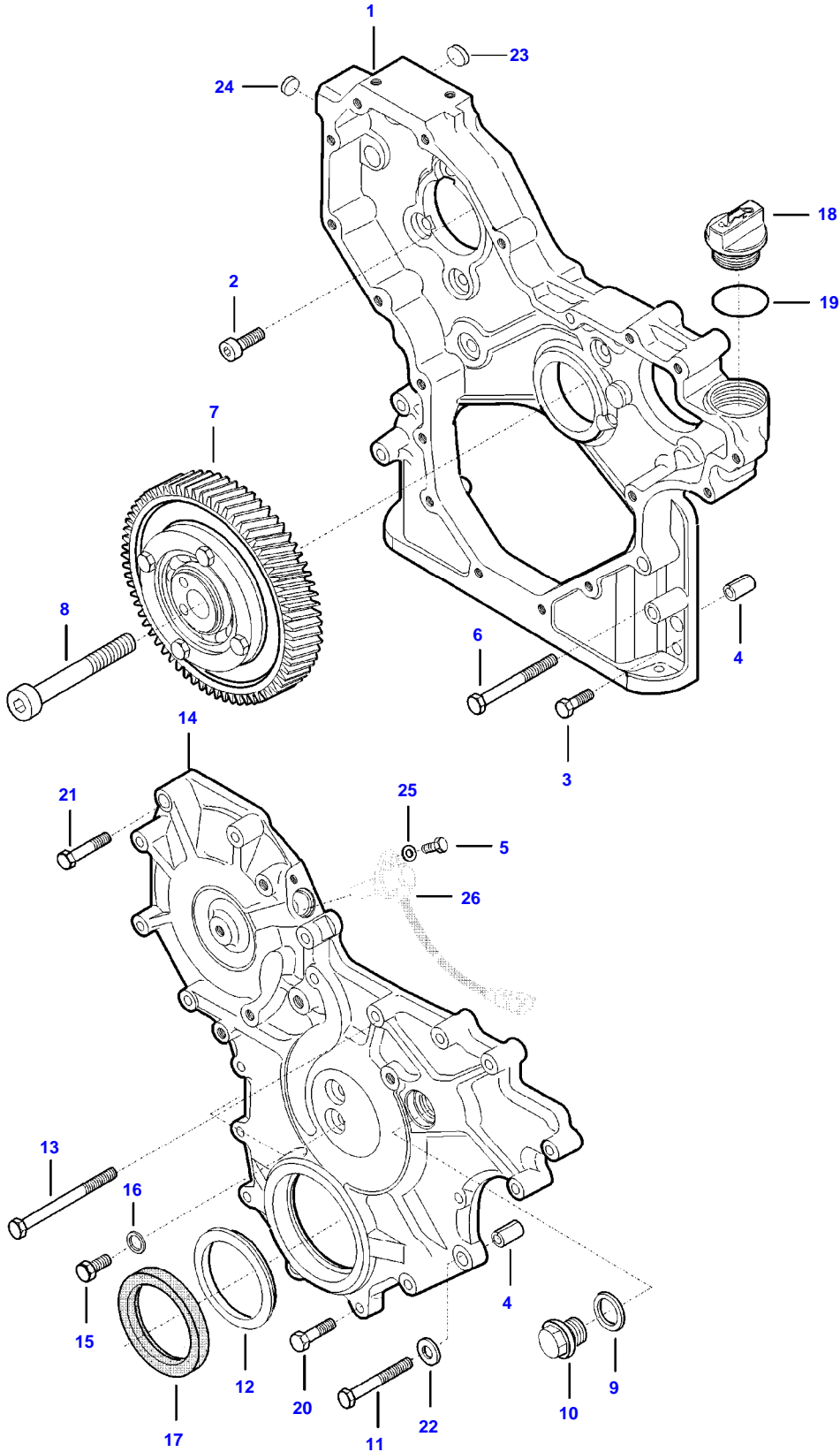
CYLINDER BLOCK

Page01-0002

Item	Part Number	Qty	Description Comments	Technical Specification
46		1	SEE PAGE 01-0023 [B] INCLUDED IN COMPLETE ENGINE GASKET KIT 2	

6275L COMBINE (STAGE 4 / TIER 4F & TIER 2) (ZN205650X03020001-999)
AP2D1025

AP2D1025

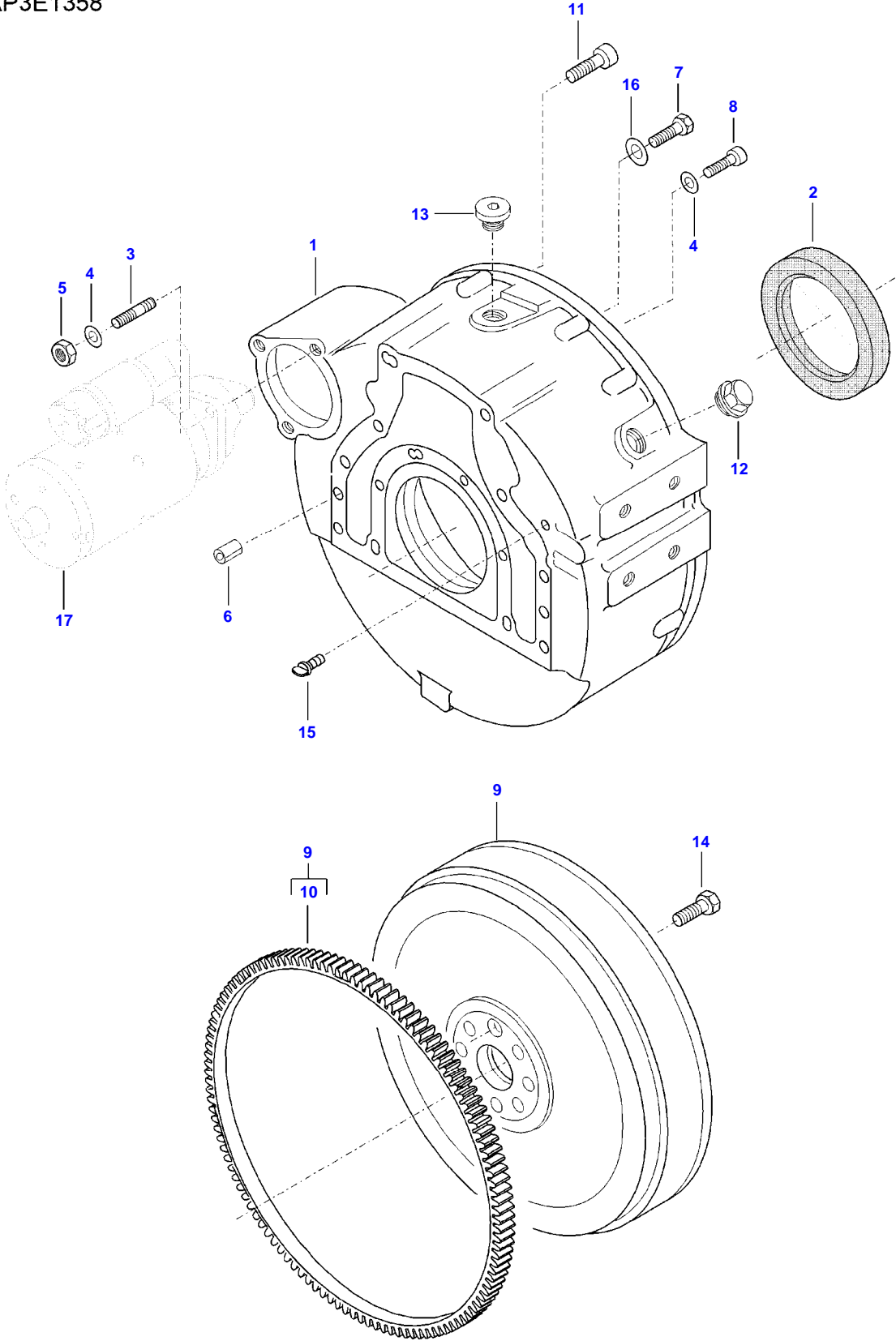


TIMING GEARS AND HOUSING

Item	Part Number	Qty	Description Comments
1	V837074705	1	TIMING GEAR CASE
2	V581804602	10	HEX SOCKET SCREW
3	V528801402	2	HEX CAP SCREW
4	V598359850	3	PIN
5	V528801062	1	HEX CAP SCREW
6	V529801472	3	HEX CAP SCREW
7	V837073583	1	IDLER GEAR
8	V581705910	1	HEX SOCKET SCREW
9	V615882227	1	SEALING WASHER [B]
10	V640045022	1	PLUG
11	V529801522	1	HEX CAP SCREW
12	V836855636	1	SHIELD
13	V529801542	1	HEX CAP SCREW
14	V837074707	1	GEAR HOUSING FRONT COVER
15	V528801382	2	HEX CAP SCREW
16	V615870814	2	SEALING WASHER [B]
17	V836840883	1	CRANKSHAFT SEAL [B]
18	V837081106	1	OIL FILLER CAP
19	V614603540	1	O-RING [B]
20	V528801412	7	HEX CAP SCREW
21	V529801442	10	HEX CAP SCREW
22	V836120989	1	WASHER
23	V640016020	1	CUP PLUG
24	V640016016	1	CUP PLUG
25	V500150642	1	WASHER
26		1	SEE PAGE 01-0023 [B] INCLUDED IN COMPLETE ENGINE GASKET KIT 2

6275L COMBINE (STAGE 4 / TIER 4F & TIER 2) (ZN205650X03020001-999)
AP3E1358

AP3E1358



FLYWHEEL AND HOUSING

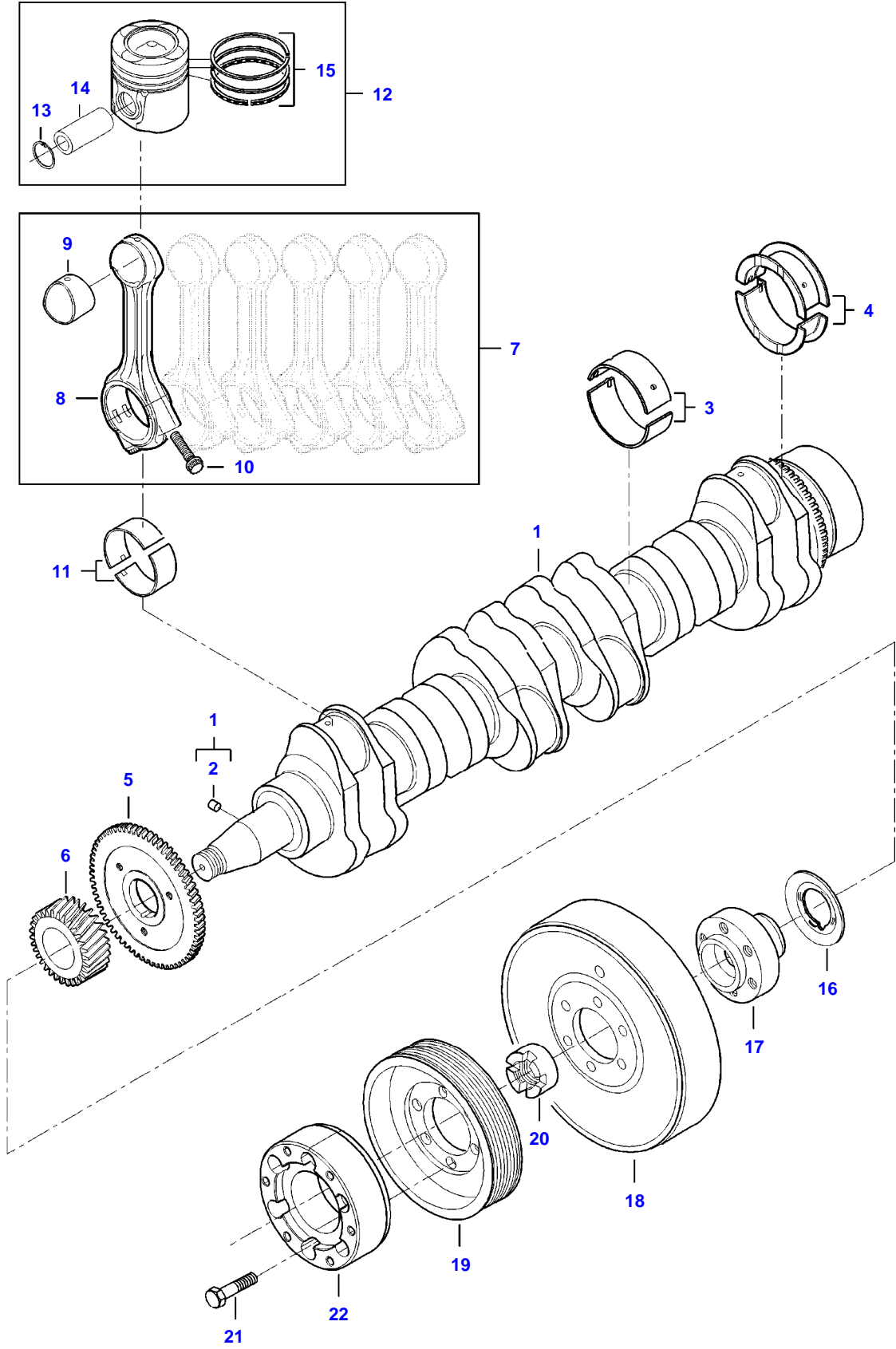
Item	Part Number	Qty	Description Comments
1	V836647440	1	FLYWHEEL HOUSING
2	V837091172	1	CRANKSHAFT SEAL [B]
3	V546801810	3	STUD BOLT
4	V500951002	6	SPRING WASHER
5	V504601002	3	NUT
6	V598359850	2	PIN
7	V528702220	6	HEX CAP SCREW
8	V581705030	6	HEX SOCKET SCREW
9	V836655066	1	FLYWHEEL
10	V836117970	1	STARTER RING (9)
11	V581705440	2	HEX SOCKET SCREW
12	V640045126	1	PLUG
13	V640325018	1	PLUG
14	V528702230	8	HEX CAP SCREW
15	V836859311	1	PLUG
16	V500951202	6	SPRING WASHER
17		1	

SEE PAGE 01-0025

[B] INCLUDED IN COMPLETE ENGINE GASKET KIT 2

6275L COMBINE (STAGE 4 / TIER 4F & TIER 2) (ZN205650X03020001-999)
AP4F1882

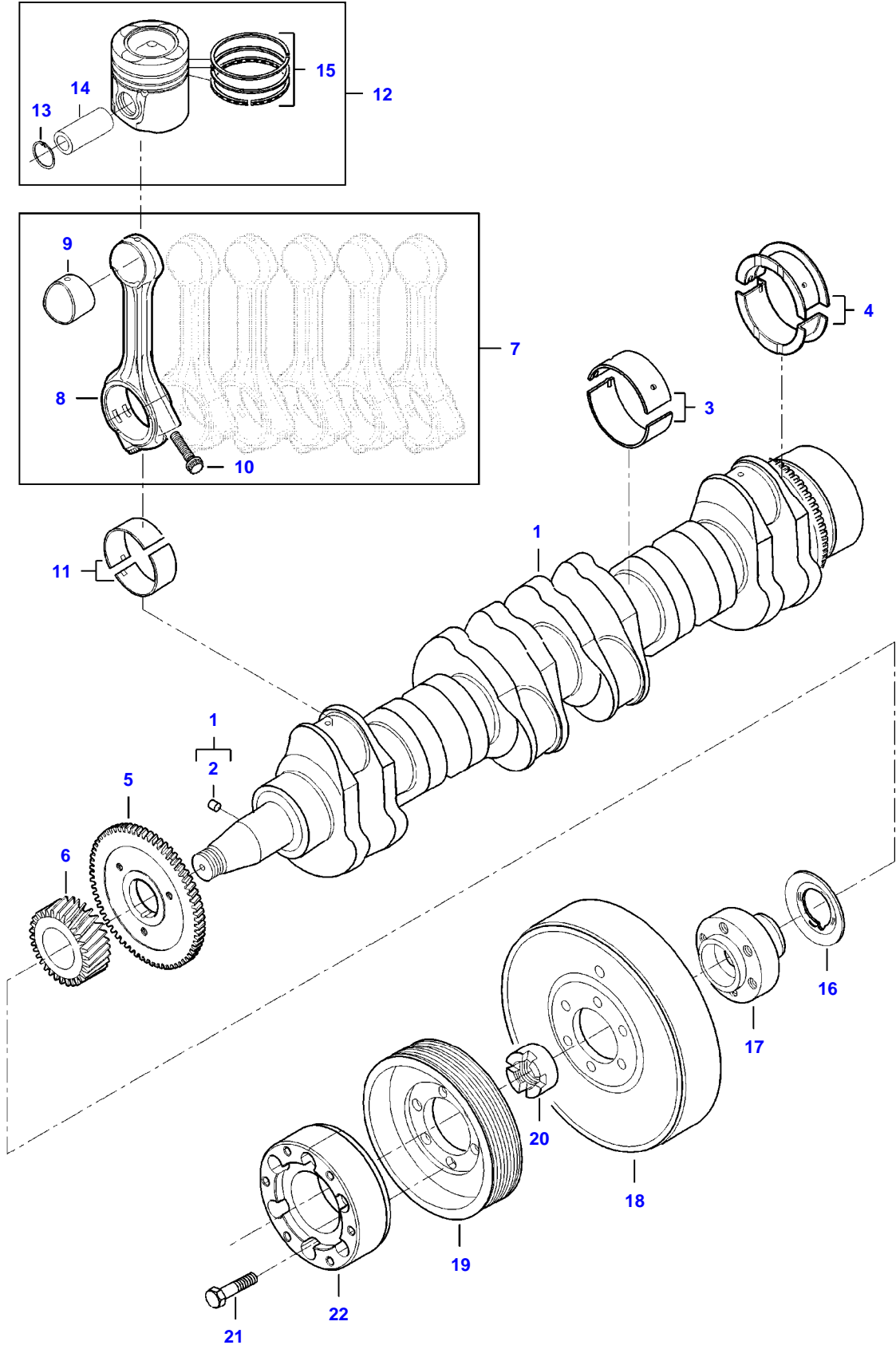
AP4F1882



Item	Part Number	Qty	Description Comments	Technical Specification
1	V837073985	1	CRANKSHAFT	
2	V836867857	1	KEY (1)	
3	V836840944	6	MAIN BEARING	STD
4	V836879152	1	MAIN BEARING	STD
5	V836674069	1	GEAR,CRANKSHAFT	
6	V837073560	1	GEAR,CRANKSHAFT	
7	V836840928	1	CONNECTING ROD KIT	
8		6	NOT AVAILABLE AS SINGLE PART (7)	
9	V836110646	6	BEARING BUSH (7),(8)	STD
10	V836864141	12	CONNECTING ROD BOLT (7),(8)	
11	V836179781	6	CONROD BEARING	STD
12	V837074082	6	PISTON	
13		12	NOT AVAILABLE AS SINGLE PART (12)	
14		6	NOT AVAILABLE AS SINGLE PART (12)	
15	V837079460	6	PISTON RING KIT (12)	
16	V836855637	1	RING	
17	V837073679	1	CRANKSHAFT HUB	
18	V836884615	1	CRANKSHAFT VIBRATION DAMPENER	
19	V836855690	1	CRANKSHAFT PULLEY	
20	V836847641	1	CRANKSHAFT NUT	
21	V581705490	6	HEX SOCKET SCREW	
22	V837070345	1	SPACER	

6275L COMBINE (STAGE 4 / TIER 4F & TIER 2) (ZN205650X03020001-999)
AP4F1882

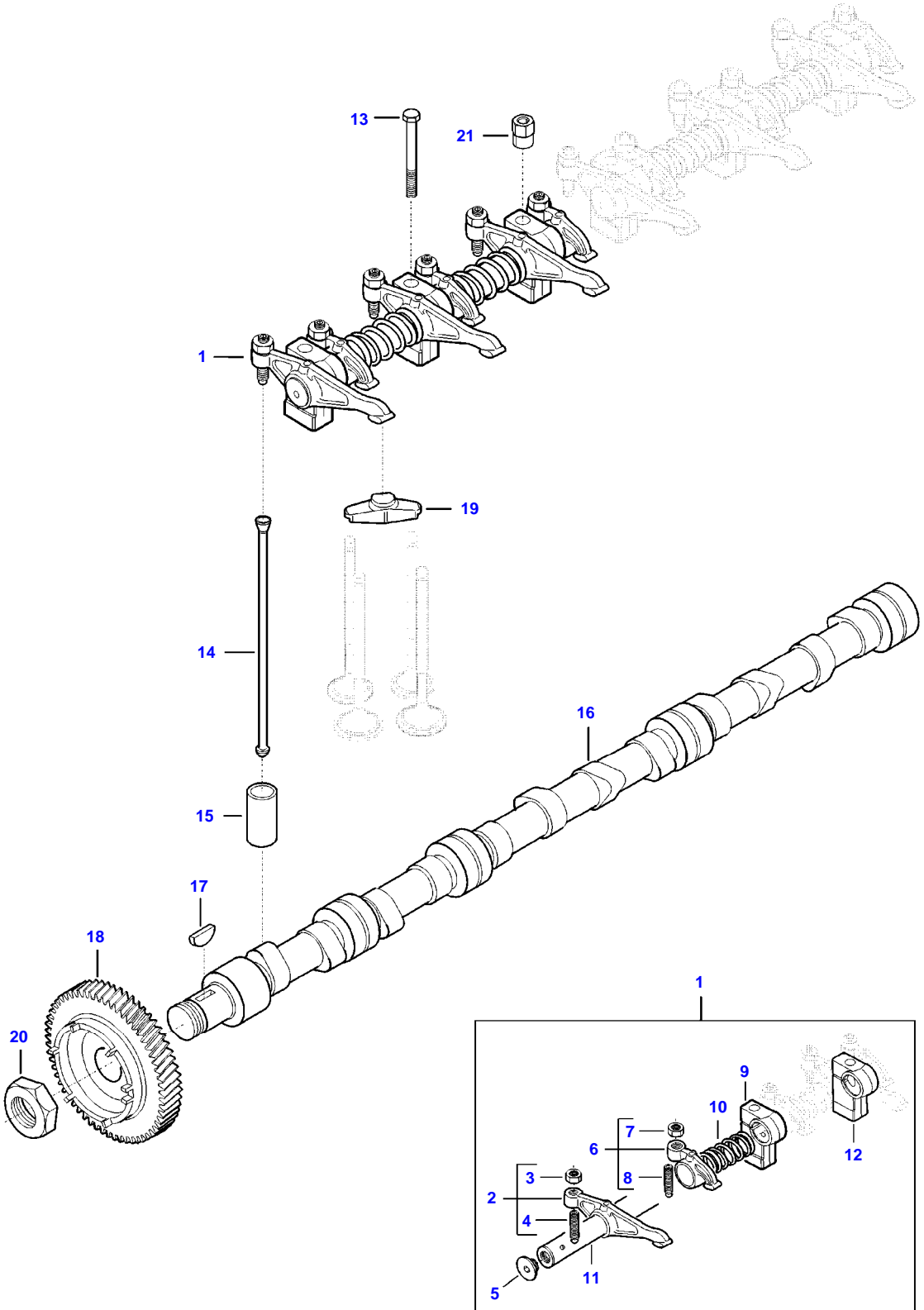
AP4F1882



Item	Part Number	Qty	Description Comments	Technical Specification
1	V837073985	1	CRANKSHAFT	
2	V836867857	1	KEY (1)	
3	V836840944	6	MAIN BEARING	STD
4	V836879152	1	MAIN BEARING	STD
5	V836674069	1	GEAR,CRANKSHAFT	
6	V837073560	1	GEAR,CRANKSHAFT	
7	V836840928	1	CONNECTING ROD KIT	
8		6	NOT AVAILABLE AS SINGLE PART (7)	
9	V836110646	6	BEARING BUSH (7),(8)	STD
10	V836864141	12	CONNECTING ROD BOLT (7),(8)	
11	V836179781	6	CONROD BEARING	STD
12	V837086209	6	PISTON	
13		12	NOT AVAILABLE AS SINGLE PART (12)	
14		6	NOT AVAILABLE AS SINGLE PART (12)	
15	V837079460	6	PISTON RING KIT (12)	
16	ACW3520650	1	RING	
17	V837073679	1	CRANKSHAFT HUB	
18	V836884615	1	CRANKSHAFT VIBRATION DAMPENER	
19	V836855690	1	CRANKSHAFT PULLEY	
20	V836847641	1	CRANKSHAFT NUT	
21	V581705490	6	HEX SOCKET SCREW	
22	V837070345	1	SPACER	

6275L COMBINE (STAGE 4 / TIER 4F & TIER 2) (ZN205650X03020001-999)
AP5E1940

AP5E1940

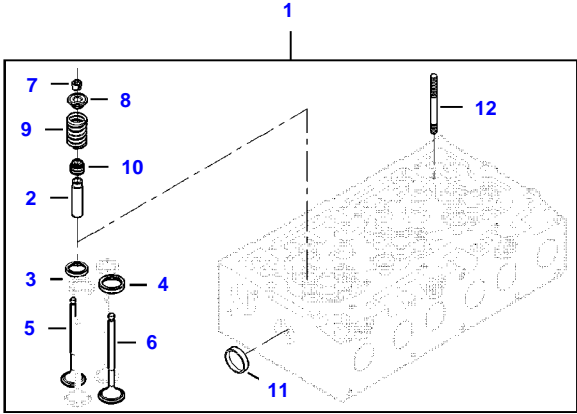
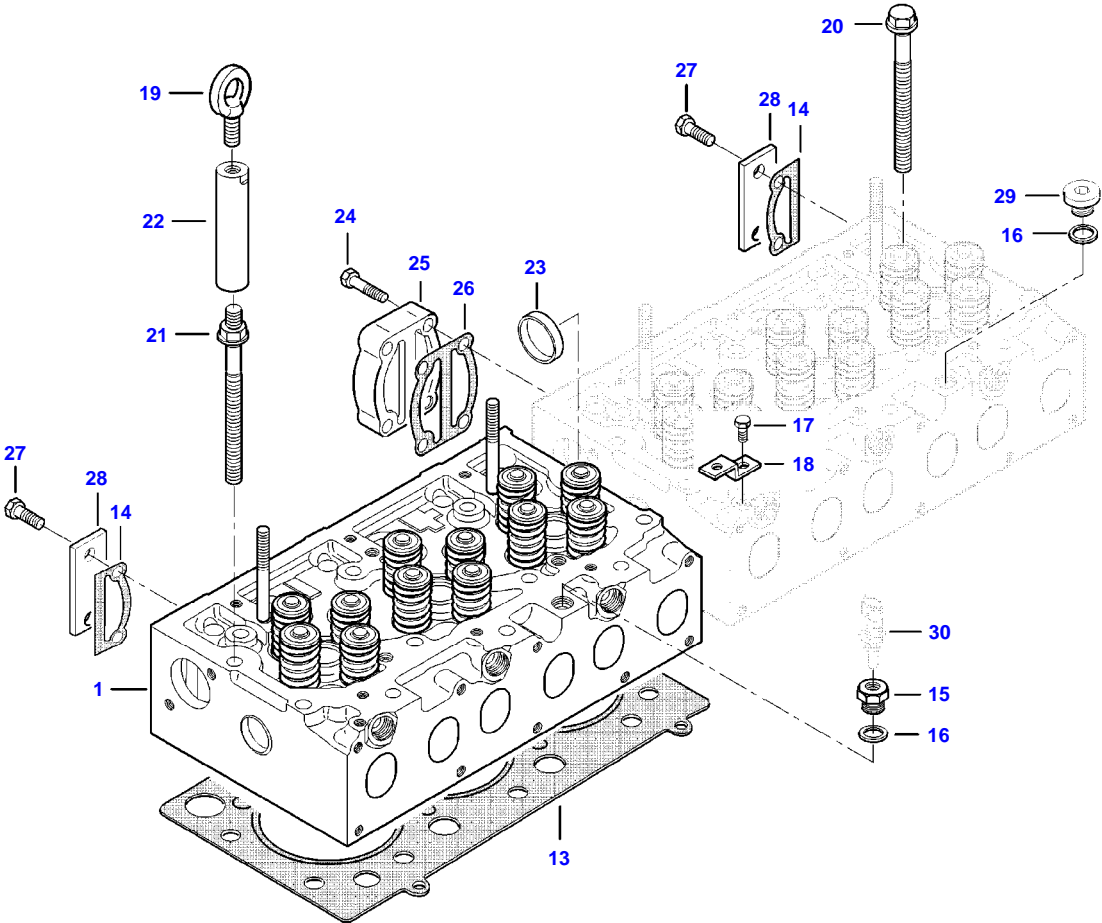


CAMSHAFT AND VALVE MECHANISM

Item	Part Number	Qty	Description Comments	Technical Specification
1	V837069016	2	ROCKER SHAFT ASM	3-CYL 4V
2	V837069011	6	ROCKER ARM (1)	4V INTAKE
3	V512861000	6	NUT (1),(2)	
4	V837069023	6	VALVE ROCKER ADJUSTMENT SCREW (1),(2)	
5	V837069020	4	PLUG (1)	
6	V837069013	6	ROCKER ARM (1)	4V EXHAUST
7	V512861000	6	NUT (1),(6)	
8	V837069023	6	VALVE ROCKER ADJUSTMENT SCREW (1),(6)	
9	V837069018	2	ROCKER SHAFT BRACKET (1)	
10	V837069019	4	SPRING (1)	
11	V837069015	2	SHAFT (1)	
12	V837069017	4	ROCKER SHAFT BRACKET (1)	
13	V529801912	2	HEX CAP SCREW	
14	V837084417	12	PUSH ROD	
15	V836014264	12	TAPPET	
16	V837069101	1	CAMSHAFT	
17	V603305760	1	WOODRUFF KEY	
18	V837073562	1	GEAR,CAMSHAFT	
19	V837073089	12	VALVE BRIDGE	
20	V837069085	1	NUT	
21	V836655406	4	SLEEVE NUT	

6275L COMBINE (STAGE 4 / TIER 4F & TIER 2) (ZN205650X03020001-999)
AP6F2123

AP6F2123



CYLINDER HEAD

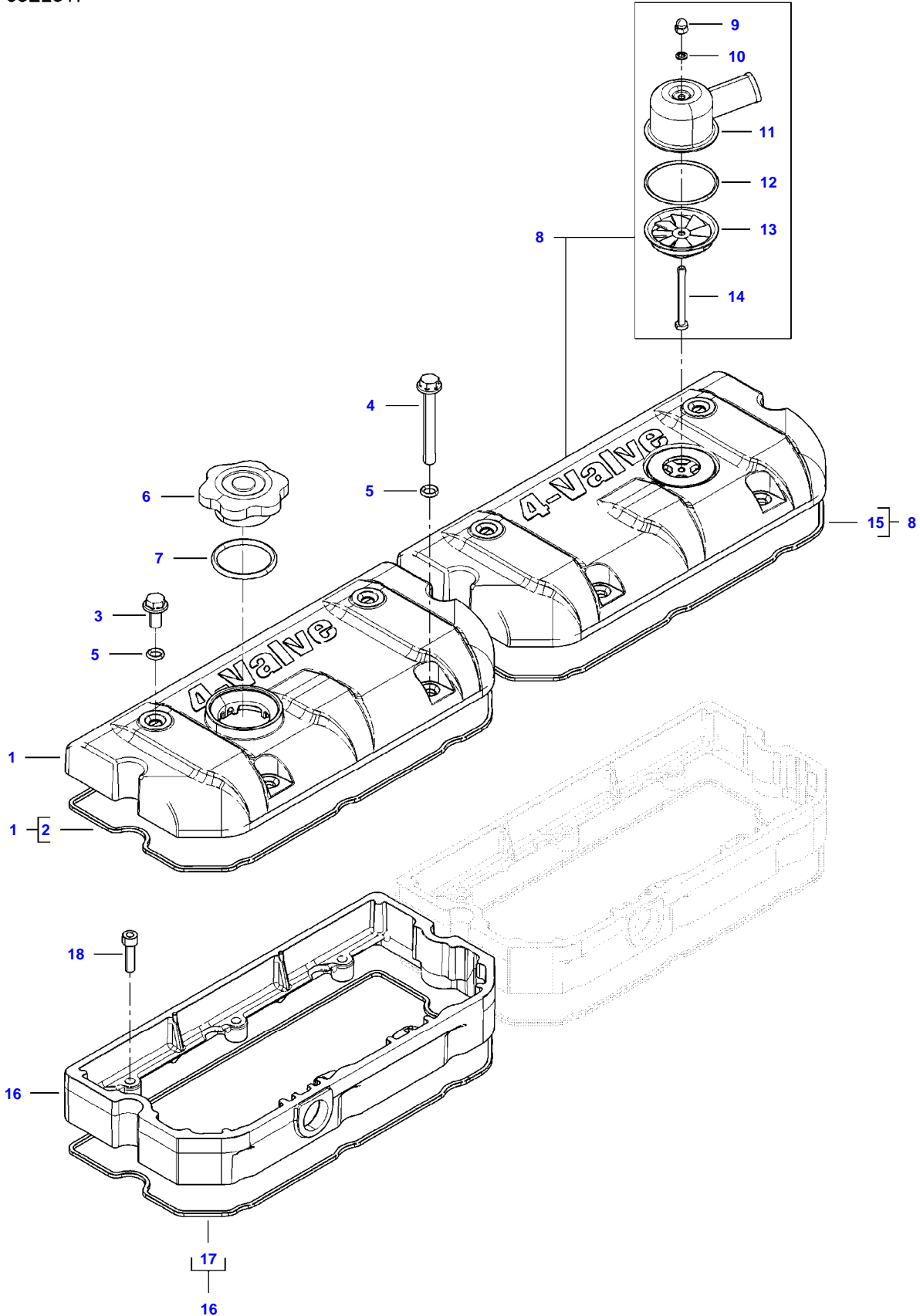
Item	Part Number	Qty	Description Comments	Technical Specification
1	V837073233	2	CYLINDER HEAD	
2	V837073174	24	VALVE GUIDE (1)	4V STD
3	V837064907	12	VALVE SEAT (1)	4V EXHAUST STD
4	V837064908	12	VALVE SEAT (1)	4V INTAKE STD
5	V837069002	12	EXHAUST VALVE (1)	
6	V837069003	12	INTAKE VALVE (1)	
7	V837064910	48	COTTER (1)	
8	V837069004	24	SPRING PLATE (1)	
9	V837069005	24	VALVE SPRING (1)	
10	V837073165	24	VALVE STEM GASKET (1)	
11	V836647942	8	CUP PLUG (1)	
12	V546901900	4	STUD BOLT (1)	
13	V837084523	2	CYLINDER HEAD GASKET [A]	
14	V836867753	2	GASKET [A]	
15	V837086509	1	THREADED NIPPLE	
16	V615881822	2	SEALING WASHER [A]	
17	V528801360	1	HEX CAP SCREW	
18	V836747849	1	SUPPORT	
19	V836640752	2	LIFT EYE	
20	V837069025	32	CYLINDER HEAD BOLT	
21	V837073571	2	CYLINDER HEAD BOLT	
22	V836867567	2	LIFTING EYE EXTENSION	
23	V640016045	1	CUP PLUG	
24	V528801820	4	HEX CAP SCREW	
25	V836855348	1	CONNECTION FLANGE	
26	V836867752	1	GASKET [A]	
27	V528801800	4	HEX CAP SCREW	
28	V836855350	2	BLOCK OFF PLATE	
29	V640325018	1	PLUG	
30		1		

SEE PAGE 01-0023

[A] INCLUDED IN CYLINDER HEAD GASKET KIT 1

6275L COMBINE (STAGE 4 / TIER 4F & TIER 2) (ZN205650X03020001-999)
AP35E2617

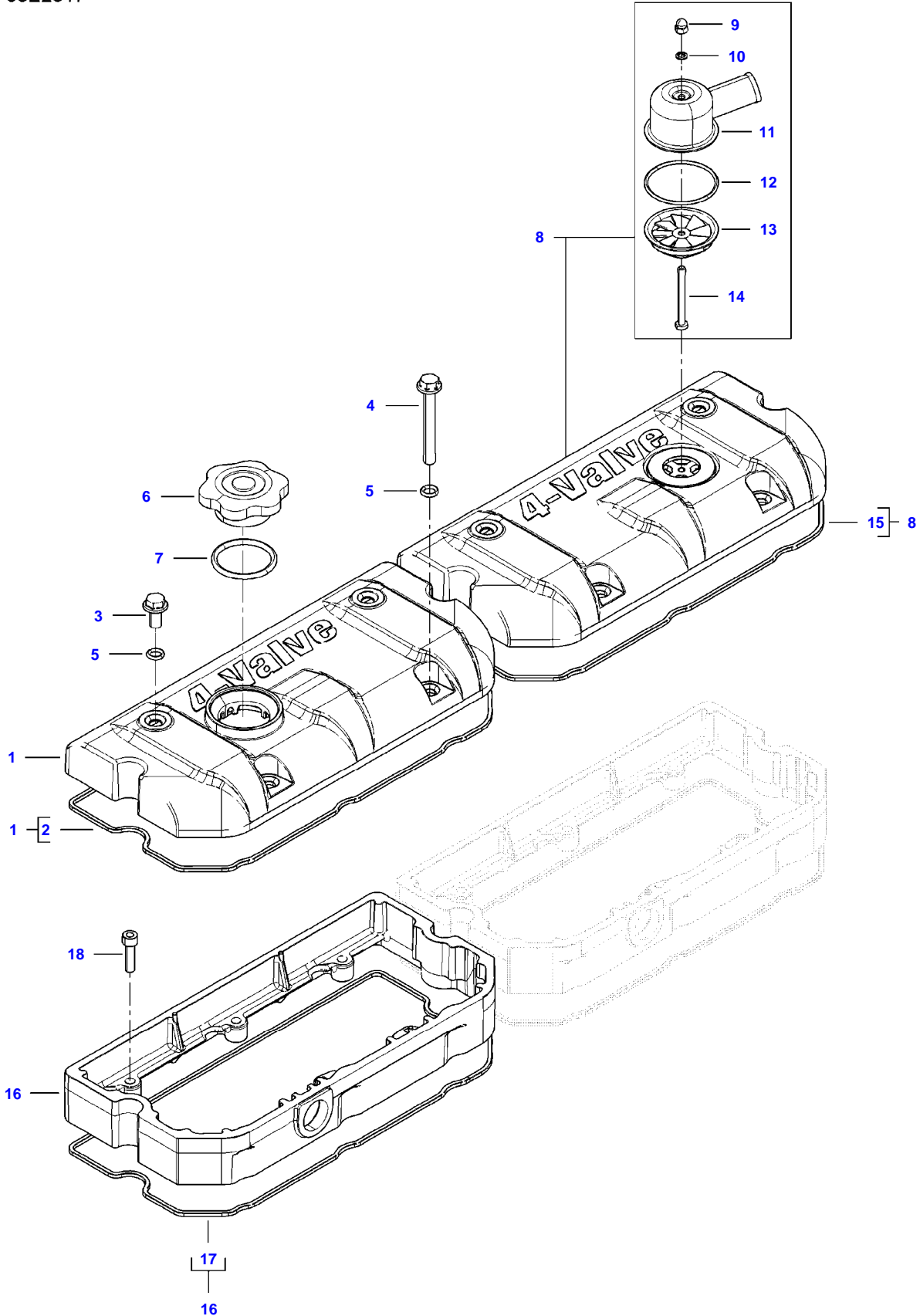
AP35E2617



Item	Part Number	Qty	Description Comments
1	V837084222	1	VALVE ROCKER COVER
2	V837067881	1	VALVE ROCKER COVER GASKET (1) [A]
3	V540801780	4	HEXAGON FLANGE BOLT
4	V540801910	4	HEXAGON FLANGE BOLT
5	V614901030	8	O-RING [A]
6	V836659968	1	OIL FILLER CAP
7	V614704850	1	O-RING [A]
8	V837084221	1	VALVE ROCKER COVER
9	V519600602	1	NUT (8)
10	V836667508	1	SEALING WASHER (8)
11	V837070442	1	BREATHER CAP (8)
12	V836667459	1	GASKET (8)
13	V837070443	1	BREATHER (8)
14	V528801172	1	HEX CAP SCREW (8)
15	V837067881	1	VALVE ROCKER COVER GASKET (8) [A]
16	V837084220	2	VALVE ROCKER COVER FRAME
17	V837067881	2	VALVE ROCKER COVER GASKET (16) [A]
18	V581804630	6	HEX SOCKET SCREW [A] INCLUDED IN CYLINDER HEAD GASKET KIT 1

6275L COMBINE (STAGE 4 / TIER 4F & TIER 2)
AP35E2617

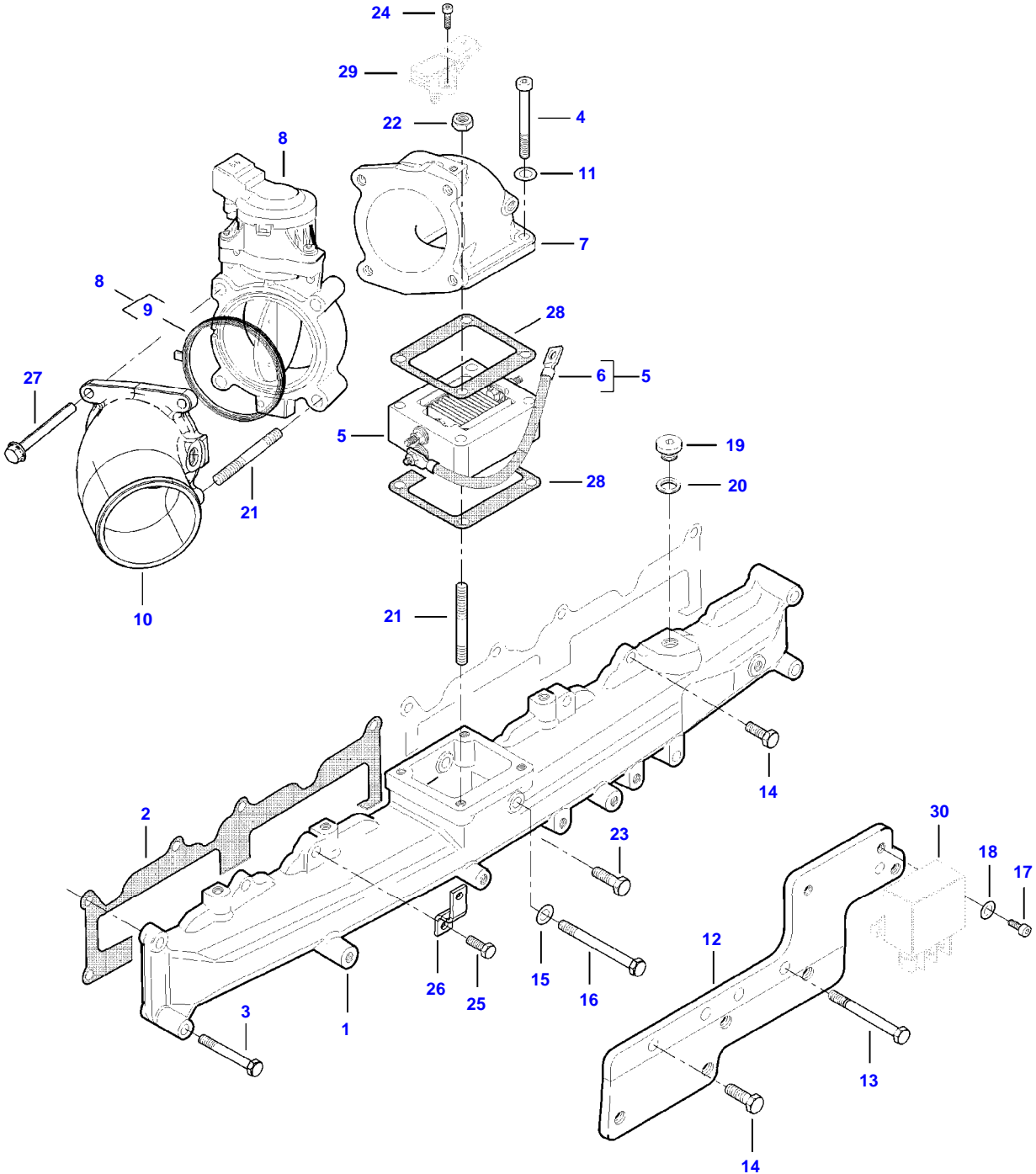
AP35E2617



Item	Part Number	Qty	Description Comments
1	V837086527	1	VALVE ROCKER COVER
2	V837067881	1	VALVE ROCKER COVER GASKET (1) [A]
3	V540801780	4	HEXAGON FLANGE BOLT
4	V540801910	4	HEXAGON FLANGE BOLT
5	V614901030	8	O-RING [A]
6	V836659968	1	OIL FILLER CAP
7	V614704850	1	O-RING [A]
8	V837086137	1	VALVE ROCKER COVER
9	V519600602	1	NUT (8)
10	V836684766	1	SEALING WASHER (8)
11	V837070442	1	BREATHER CAP (8)
12	V614605930	1	O-RING (8)
13	V837070443	1	BREATHER (8)
14	V528801172	1	HEX CAP SCREW (8)
15	V837067881	1	VALVE ROCKER COVER GASKET (8) [A]
16	V837084220	2	VALVE ROCKER COVER FRAME
17	V837067881	2	VALVE ROCKER COVER GASKET (16) [A]
18	V581804630	6	HEX SOCKET SCREW [A] INCLUDED IN CYLINDER HEAD GASKET KIT 1

6275L COMBINE (STAGE 4 / TIER 4F & TIER 2) (ZN205650X03020001-999)
AP7E2616

AP7E2616

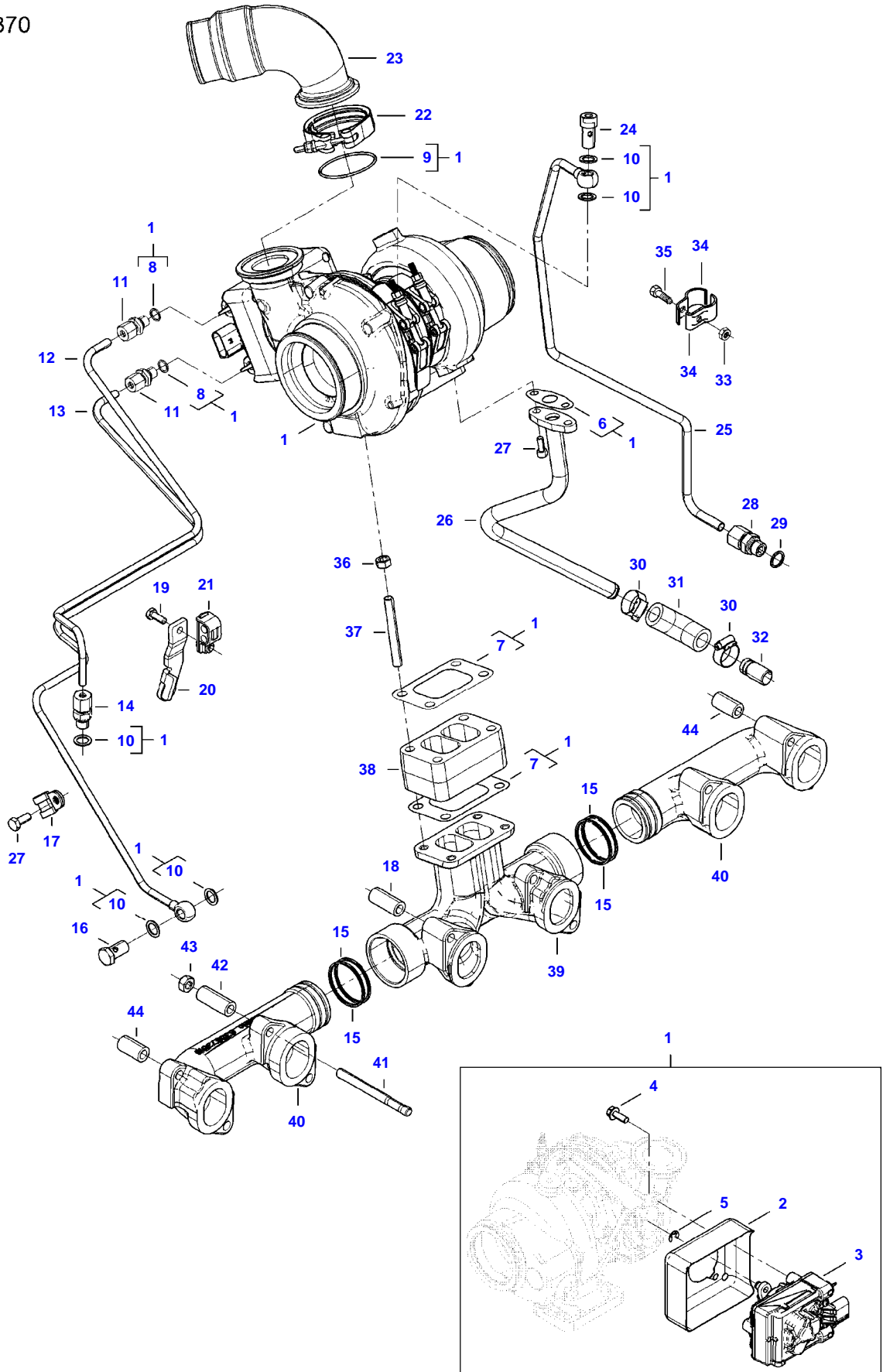


INTAKE MANIFOLD

Item	Part Number	Qty	Description Comments
1	V837070219	1	INTAKE MANIFOLD
2	V837069009	2	INTAKE MANIFOLD GASKET [A]
3	V529801470	1	HEX CAP SCREW
4	V581804702	3	HEX SOCKET SCREW
5	V837067295	1	INTAKE AIR PREHEATER
6	ACP0427330	1	GROUND WIRE (5)
7	V837084350	1	AIR INTAKE PIPE
8	V837084452	1	THROTTLE FLAP
9	V837079849	2	GASKET (8) [A]
10	V837084407	1	AIR PIPE
11	V500150842	5	WASHER
12	V837084111	1	FUEL FILTER BRACKET
13	V529801530	2	HEX CAP SCREW
14	V528801402	5	HEX CAP SCREW
15	V836684767	1	SEALING WASHER [A]
16	V529801550	1	HEX CAP SCREW
17	V581804182	2	HEX SOCKET SCREW
18	V500050642	2	WASHER
19	V640325014	1	PLUG
20	V615881420	1	SEALING WASHER [A]
21	V546801492	2	STUD BOLT
22	V504800800	2	NUT
23	V528801410	6	HEX CAP SCREW
24	V528801062	1	HEX CAP SCREW
25	V528801422	1	HEX CAP SCREW
26	V836747849	1	SUPPORT
27	V540801490	3	HEXAGON FLANGE BOLT
28	V837067345	2	GASKET [A]
29		1	SEE PAGE 01-0023
30		1	SEE PAGE 01-0023 [A] INCLUDED IN CYLINDER HEAD GASKET KIT 1

6275L COMBINE (STAGE 4 / TIER 4F & TIER 2) (ZN205650X03020001-999)
AP9E1370

AP9E1370

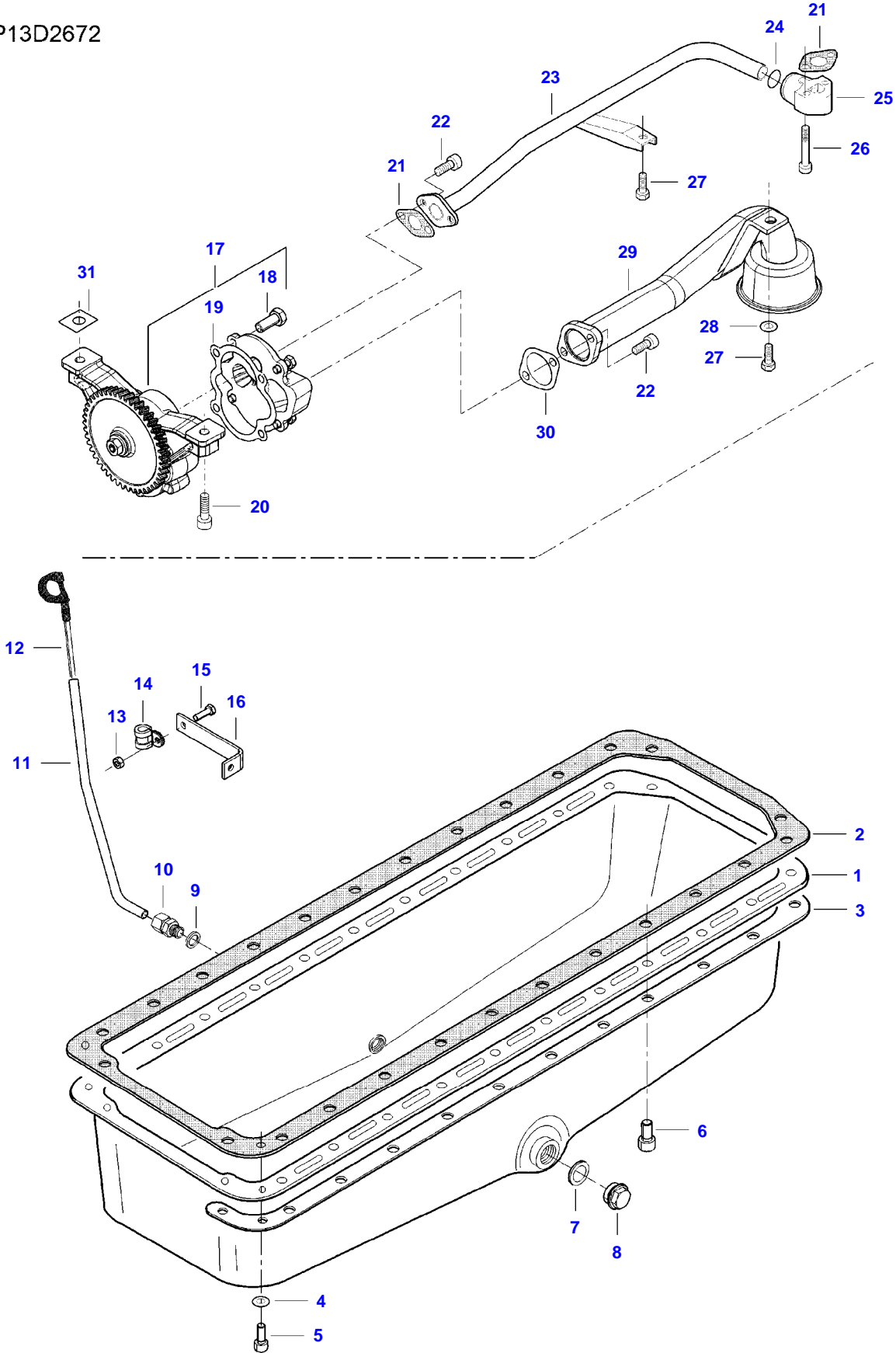


Item	Part Number	Qty	Description Comments
1	V837079854	1	KIT, TURBOCHARGR
2	V837091123	1	HEATSHIELD (1)
3	V837091110	1	ACTUATOR (1)
4	V837091127	3	HEXAGON FLANGE BOLT (1)
5	V837079945	1	LOCK RING (1)
6	ACW3397620	1	GASKET (1) [A]
7	V836316726	2	GASKET (1) [A]
8	V615881218	2	SEALING WASHER (1) [A]
9	V614606225	1	O-RING (1) [A]
10	V615881420	5	SEALING WASHER (1) [A]
11	V641086008	2	STRAIGHT FITTING
12	V836884177	1	WATER PIPE
13	V836884176	1	WATER PIPE
14	V641096008	1	STRAIGHT FITTING
15	V836316519	4	SEALING RING [A]
16	V640435010	1	BANJO BOLT
17	V602060608	1	RETAINER CLAMP
18	V836652803	1	SPACER PIECE
19	V528801062	1	HEX CAP SCREW
20	V837084763	1	SUPPORT
21	V837073721	2	RETAINER CLAMP
22	V836866454	1	V CLAMP
23	V836866381	1	BOOST PIPE
24	V837084079	1	BANJO BOLT
25	V836884174	1	TURBOCHARGER LUBRICATION OIL PIPE
26	V836884175	1	TURBOCHARGER LUBRICATION OIL PIPE
27	V581804602	3	HEX SOCKET SCREW
28	V641096010	1	STRAIGHT FITTING
29	V615881620	1	SEALING WASHER [A]
30	V602087528	2	HOSE CLIP
31	V836647576	1	RUBBER ELBOW
32	V837084240	1	OIL PIPE
33	V504600602	1	NUT
34	V836773645	2	PIPE CLAMP HALF
35	V529801112	1	HEX CAP SCREW
36	V521801000	4	NUT
37	V546701900	4	STUD BOLT
38	V837070340	1	FLANGE
39	V836873517	1	EXHAUST MANIFOLD
40	V836873516	2	EXHAUST MANIFOLD
41	V836859188	12	STUD BOLT
42	V836664013	7	SPACER PIECE
43	V513601002	12	NUT
44	V836664012	4	SPACER PIECE

[A] INCLUDED IN CYLINDER HEAD GASKET KIT 1

6275L COMBINE (STAGE 4 / TIER 4F & TIER 2) (ZN205650X03020001-999)
AP13D2672

AP13D2672

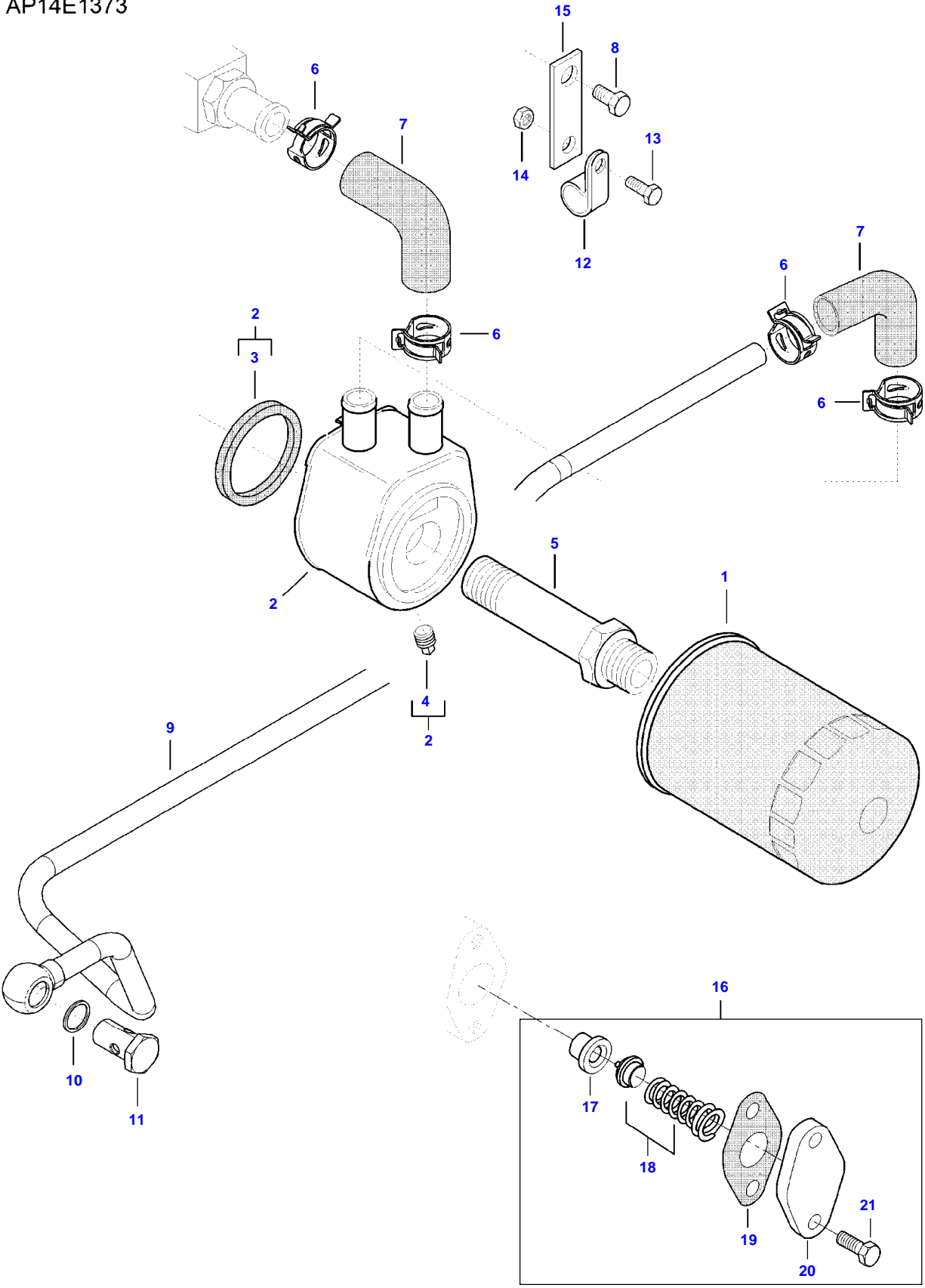


Item	Part Number	Qty	Description Comments
1	V836347308	1	OIL SUMP
2	V836322538	1	OIL SUMP GASKET [B]
3	V836884179	2	PLATE
4	V500950800	4	SPRING WASHER
5	V580804600	4	HEX SOCKET SCREW
6	V580805000	24	HEX SOCKET SCREW
7	V615882227	1	SEALING WASHER [B]
8	V640045022	1	PLUG
9	V615881622	1	SEALING WASHER [B]
10	V641086012	1	STRAIGHT FITTING
11	V836867889	1	OIL DIPSTICK GUIDE PIPE
12	V836867888	1	DIPSTICK
13	V504800800	1	NUT
14	V602060612	1	RETAINER CLAMP
15	V528801402	2	HEX CAP SCREW
16	V836859955	1	SUPPORT
17	V836855300	1	LUBRICATING OIL PUMP
18	V528801382	4	HEX CAP SCREW (17)
19	V836338188	1	GASKET (17) [B]
20	V581805050	2	HEX SOCKET SCREW
21	V836008449	2	GASKET [B]
22	V581804602	4	HEX SOCKET SCREW
23	V836866569	1	OIL PIPE
24	V614702230	1	O-RING [B]
25	V836866563	1	ADAPTER FLANGE
26	V581804680	2	HEX SOCKET SCREW
27	V528801362	2	HEX CAP SCREW
28	V500150842	1	WASHER
29	V836855674	1	OIL PUMP SUCTION PIPE
30	V836338201	1	GASKET [B]
31	V836007871		SHIM AS REQUIRED, REFER TO WORKSHOP MANUAL [B] INCLUDED IN COMPLETE ENGINE GASKET KIT 2

Item	Part Number	Qty	Description Comments
1	V836347308	1	OIL SUMP
2	V837084649	1	OIL SUMP GASKET [B]
3	V580804630	4	HEX SOCKET SCREW
4	V580805030	24	HEX SOCKET SCREW
5	V836884833	2	PLATE
6	V836867889	1	OIL DIPSTICK GUIDE PIPE
7	V615882227	1	SEALING WASHER [B]
8	V640045022	1	PLUG
9	V641086012	1	STRAIGHT FITTING
10	V836855300	1	LUBRICATING OIL PUMP
11	V528801382	4	HEX CAP SCREW (10)
12	V836338188	1	GASKET (10) [B]
13	V581805050	2	HEX SOCKET SCREW
14	V836008449	2	GASKET [B]
15	V581804602	6	HEX SOCKET SCREW
16	V836866569	1	OIL PIPE
17	V836338201	1	GASKET [B]
18	V500150842	1	WASHER
19	V615881622	1	SEALING WASHER [B]
20	V836866563	1	ADAPTER FLANGE
21	V614702230	1	O-RING [B]
22	V581804680	2	HEX SOCKET SCREW
23	V836855674	1	OIL PUMP SUCTION PIPE
24	V836867888	1	DIPSTICK
25	V614900615	1	O-RING (24) [B]
26	V836859955	1	SUPPORT
27	V504800800	1	NUT
28	V528801402	2	HEX CAP SCREW
29	V602060612	1	RETAINER CLAMP
30	V836007871		SHIM AS REQUIRED, REFER TO WORKSHOP MANUAL [B] INCLUDED IN COMPLETE ENGINE GASKET KIT 2

6275L COMBINE (STAGE 4 / TIER 4F & TIER 2) (ZN205650X03020001-999)
AP14E1373

AP14E1373





Suggest:

For more complete manuals. Please go to the home page.

<https://www.ebooklibonline.com>

If the above button click is invalid. Please download this document first, and then click the above link to download the complete manual.

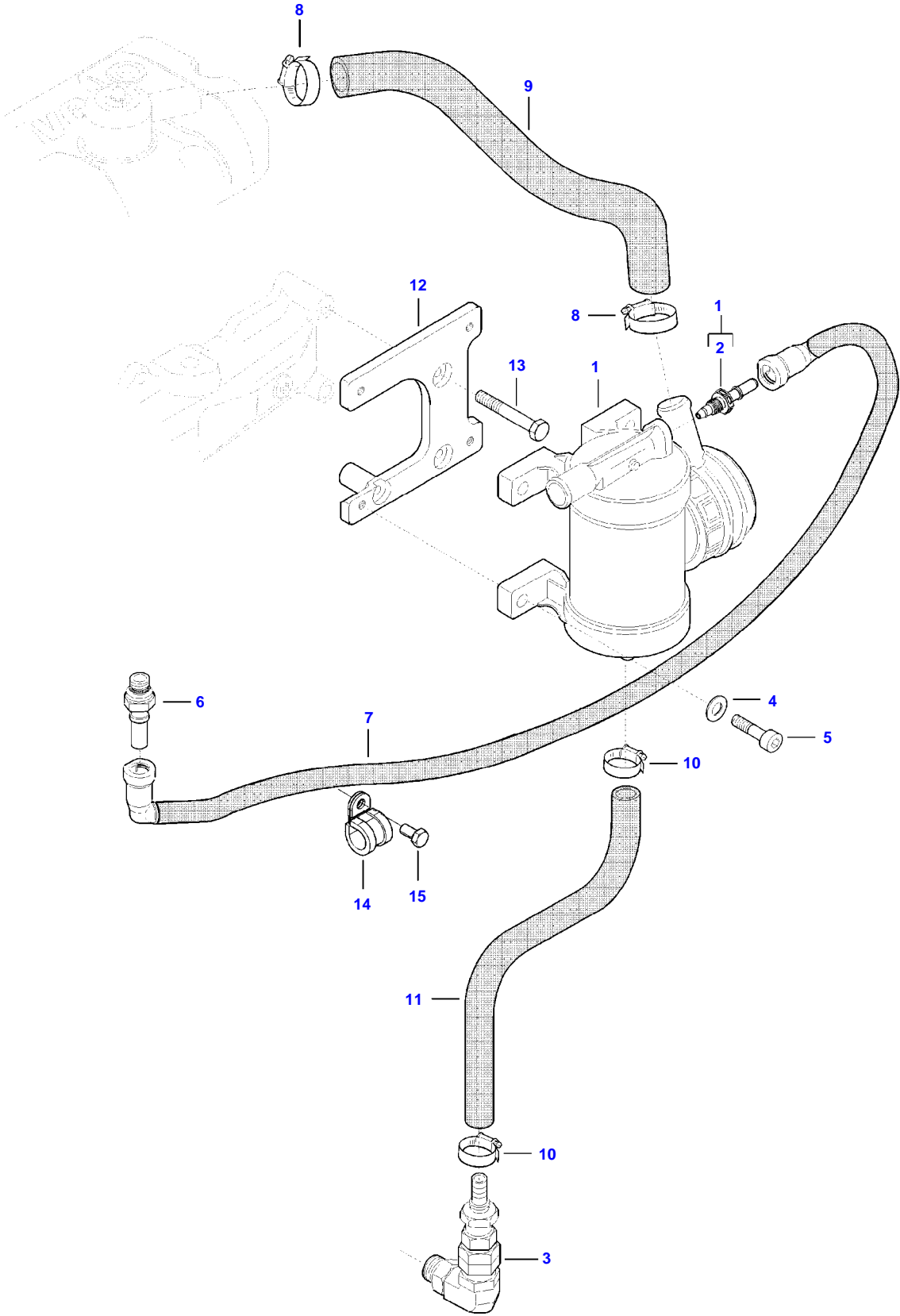
Thank you so much for reading

OIL COOLER AND FILTER

Item	Part Number	Qty	Description Comments
1	V836679586	1	ENGINE OIL FILTER
2	V836859699	1	OIL COOLER
3	V836862235	1	SEAL (2)
4	V640004004	1	PLUG (2)
5	V836859700	1	UNION
6	V602082022	4	HOSE CLIP
7	V836859899	2	RUBBER ELBOW
8	V528801762	1	HEX CAP SCREW
9	V837073863	1	WATER PIPE
10	V615881822	2	SEALING WASHER [B]
11	V640435015	1	BANJO BOLT
12	V602074615	1	RETAINER CLAMP
13	V528801382	1	HEX CAP SCREW
14	V504800800	1	NUT
15	V837070143	1	SUPPORT
16	V837079484	1	OIL PRESSURE CONTROL VALVE
17		1	NOT AVAILABLE AS SINGLE PART (16)
18		1	NOT AVAILABLE AS SINGLE PART (16)
19	V836322190	1	GASKET (16) [B]
20	V837074289	1	COVER (16)
21	V528801382	2	HEX CAP SCREW (16) [B] INCLUDED IN COMPLETE ENGINE GASKET KIT 2

6275L COMBINE (STAGE 4 / TIER 4F & TIER 2) (ZN205650X03020001-999)
AP15E1383

AP15E1383



<https://www.ebooklibonline.com>

Hello dear friend!

Thank you very much for reading.

Enter the link into your browser.

The full manual is available for immediate download.

<https://www.ebooklibonline.com>