

## TABLE OF CONTENT

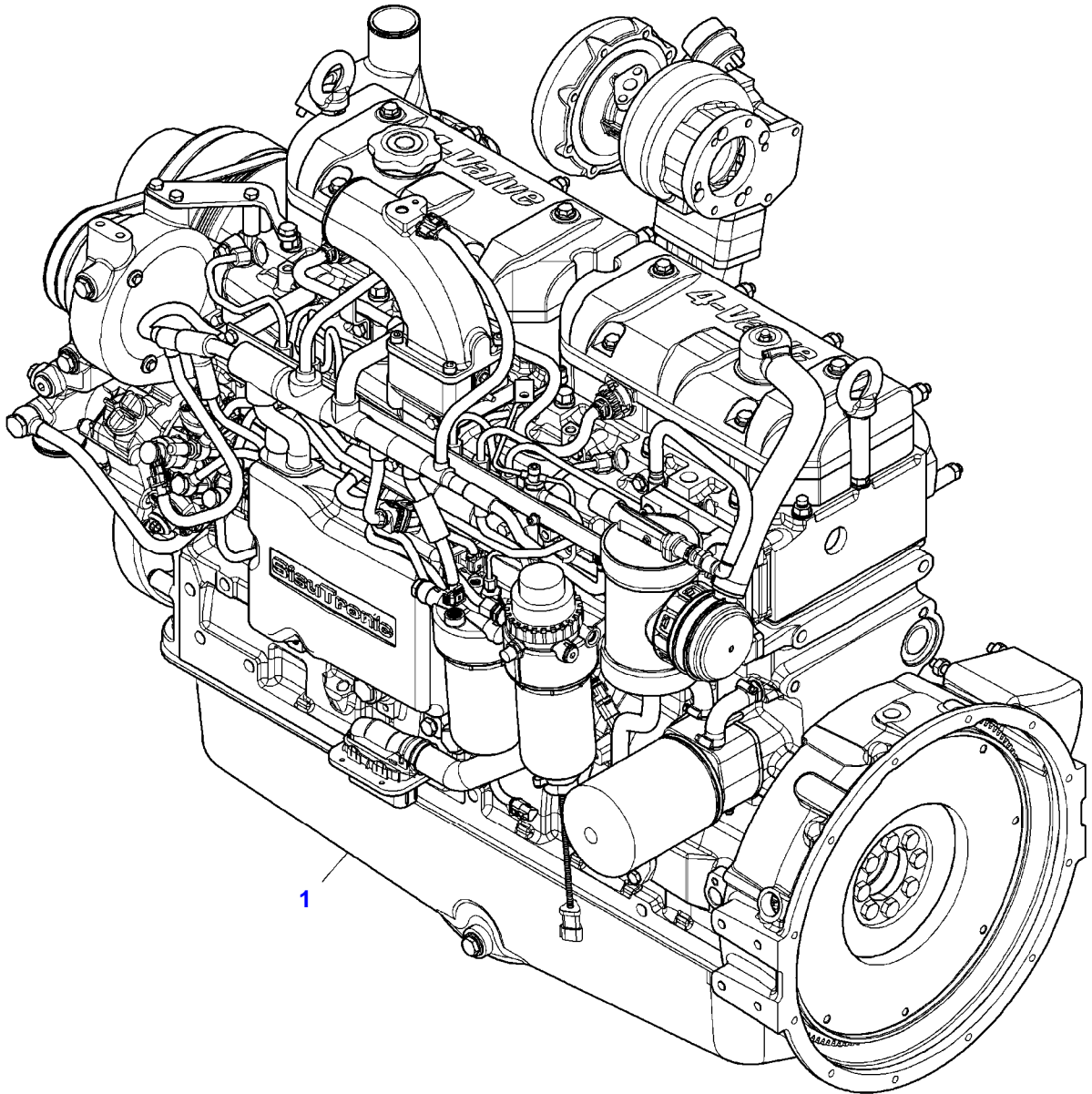
Page Number	Page Title	Page Reference
01-000-TOC	ENGINE	01-000-TOC
02-000-TOC	ENGINE INSTALLATION	02-000-TOC
03-000-TOC	DRIVE SYSTEM	03-000-TOC
04-000-TOC	AXLES	04-000-TOC
05-000-TOC	FRAME AND SUSPENSION	05-000-TOC
06-000-TOC	STEERING SYSTEM	06-000-TOC
07-000-TOC	DRIVE TRAIN SYSTEM	07-000-TOC
08-000-TOC	BRAKE SYSTEM	08-000-TOC
09-000-TOC	HYDRAULIC SYSTEM	09-000-TOC
10-000-TOC	ELECTRICAL SYSTEM	10-000-TOC
11-000-TOC	CAB	11-000-TOC
12-000-TOC	AIR CONDITIONING AND HEATING SYSTEM	12-000-TOC
13-000-TOC	CHASSIS	13-000-TOC
14-000-TOC	DECALS	14-000-TOC
15-000-TOC	WHEELS	15-000-TOC
16-000-TOC	FEEDING SYSTEM	16-000-TOC
17-000-TOC	THRESHING SYSTEM	17-000-TOC
18-000-TOC	CLEANING SYSTEM	18-000-TOC
19-000-TOC	GRAIN BIN AND ELEVATOR SYSTEM	19-000-TOC
20-000-TOC	DISCHARGE SYSTEM	20-000-TOC
21-000-TOC	ATTACHMENTS	21-000-TOC
22-000-TOC	ACCESSORIES	22-000-TOC
23-000-TOC	GENERAL INFORMATION	23-000-TOC

## ENGINE

Page Number	Page Title	Page Reference
01-0001	ENGINE ASSEMBLIES	HB01L002-1
01-0002	CYLINDER BLOCK	HB51L001-1
01-0003	TIMING GEARS AND HOUSING	HB52L001-1
01-0004	FLYWHEEL AND HOUSING	LA40L001-1
01-0005	CRANKSHAFT AND PISTONS	HB53L001-1
01-0006	CAMSHAFT AND VALVE MECHANISM	HB54L001-1
01-0007	CYLINDER HEAD	HB55L001-1
01-0008	AIR INTAKE & EXHAUST	HB56L001-1
01-0009	TURBOCHARGER	LA21L001-1
01-0010	OIL PUMP AND SUMP	LC30L002-1
01-0011	OIL COOLER AND FILTER	HB57L001-1
01-0012	CLOSED CRANKCASE VENTILATION (CCV)	HB62L001-1
01-0013	COOLANT PUMP AND THERMOSTAT UP TO ENGINE S/N Z23910	LE17L004-1
01-0014	COOLANT PUMP AND THERMOSTAT FROM ENGINE S/N Z23911	LE17L006-1
01-0015	FUEL INJECTION SYSTEM	LE26L002-1
01-0016	FUEL FILTERS	LC54L012-1
01-0017	ELECTRONIC ENGINE MANAGEMENT	HB58L001-1
01-0018	ALTERNATOR	HB59L001-1
01-0019	STARTER MOTOR	LE13L004-1
01-0020	FAN DRIVE	HB23L001-1
01-0021	EXHAUST AFTERTREATMENT	HB60L001-1
01-0022	ENGINE OVERHAUL PARTS	HB31L006-1

6275L COMBINE (STAGE 3B / TIER 4I) (56500001-999)  
8024549-F5-1

---



**<https://www.ebooklibonline.com>**

Hello dear friend!

Thank you very much for reading.

Enter the link into your browser.

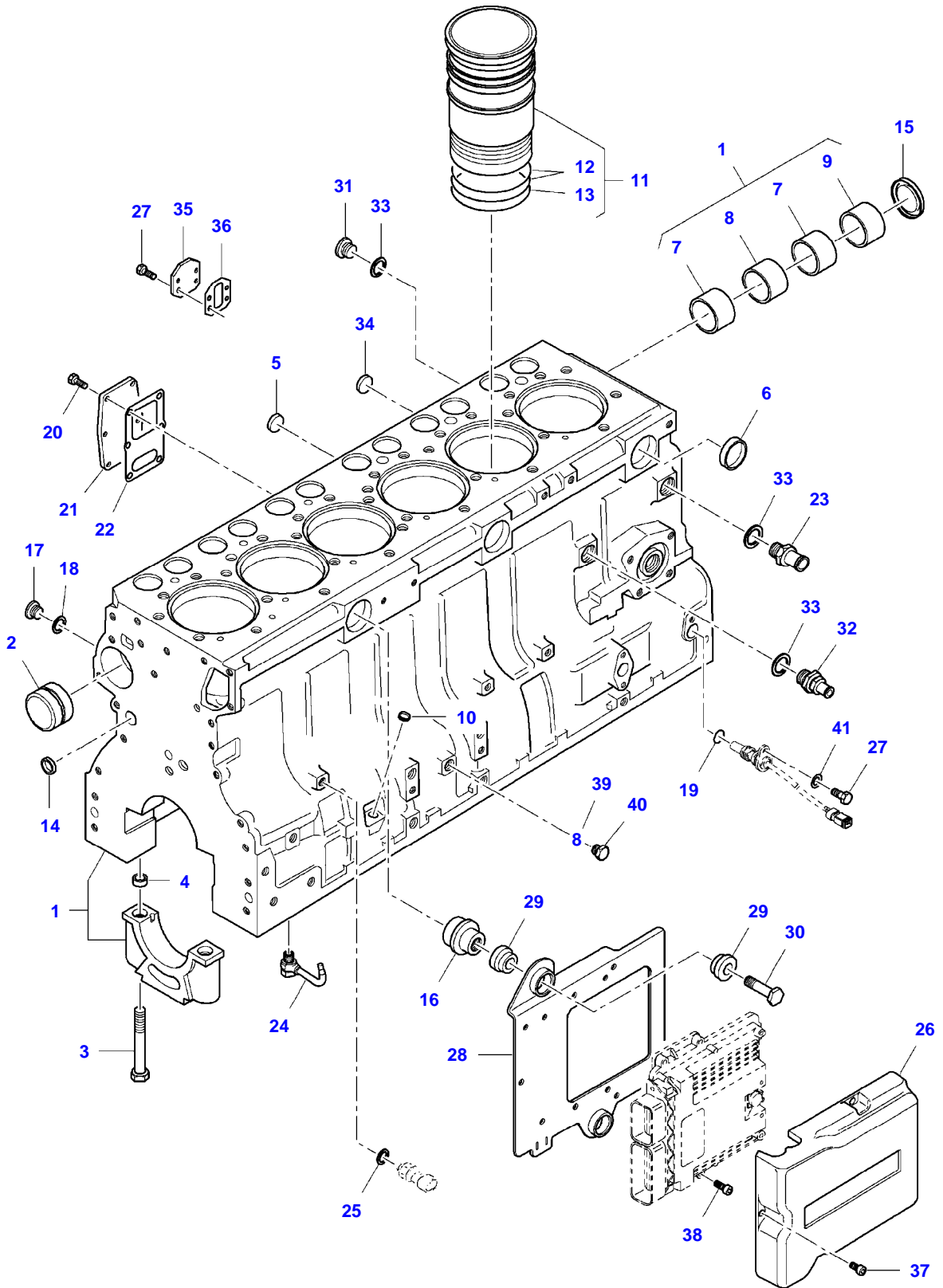
The full manual is available for immediate download.

**<https://www.ebooklibonline.com>**

**ENGINE ASSEMBLIES**

<b>Item</b>	<b>Part Number</b>	<b>Qty</b>	<b>Description Comments</b>	<b>Technical Specification</b>
1	V835076533	1	ENGINE	74 AWI
2	V865076533X	1	SHORT BLOCK ENGINE [A]	
3	V865076533V	1	LONG BLOCK ENGINE [A] [A] NOT ILLUSTRATED	

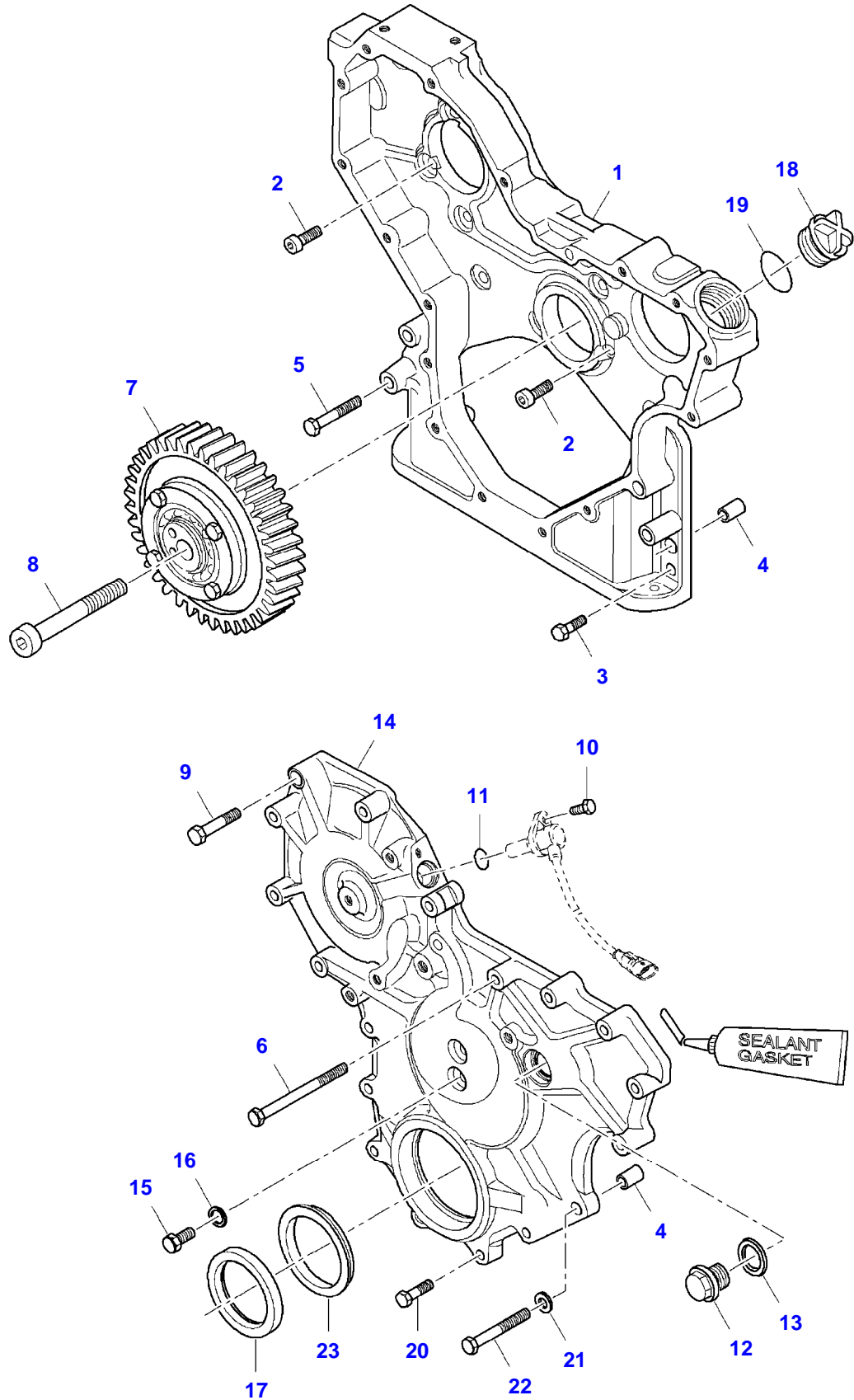
6275L COMBINE (STAGE 3B / TIER 4I) (565000001-999)  
8024543-F5-1



## CYLINDER BLOCK

Item	Part Number	Qty	Description Comments	Technical Specification
1	V837070103	1	CYLINDER BLOCK	
2	V836866069	1	CAMSHAFT BEARING BUSH	
	V836866036	X	CAMSHAFT BEARING BUSH	+ 0.40 MM
3	V835329030	14	HEX CAP SCREW	
4	V836214478	24	GUIDE SLEEVE	
5	V640016018	3	CUP PLUG	
6	V640016040	2	CUP PLUG	
7	V836852460	2	CAMSHAFT BEARING BUSH	
8	V836852459	1	CAMSHAFT BEARING BUSH	
9	V836852461	1	CAMSHAFT BEARING BUSH	
10	V640016012	1	CUP PLUG	
11	V836673191	6	LINER	
	V836647933	X	LINER	
	V836647934	X	LINER	
	V836647935	X	LINER	
12	V836647502	12	CYLINDER LINER O-RING [A]	
13	V836647503	6	CYLINDER LINER O-RING [A]	
14	V640016016	4	CUP PLUG [A]	
15	V836852744	1	PLUG	
16	V837069057	1	PLUG	
17	V640325110	5	SCREW PLUG	
18	V615871014	5	SEALING WASHER [A]	
19	V614601524	1	O-RING	
20	V528801380	6	HEX CAP SCREW	
21	V836846444	1	COVER	
22	V836322852	1	GASKET [A]	
23	V836119837	1	HOSE COUPLER	
24	V837074224	6	PISTON COOLING JET	
25	V615871016	1	SEALING WASHER [A]	
26	V837073901	1	COVER	
27	V528801362	5	HEX CAP SCREW	
28	V837073900	1	ECU BRACKET	
29	V837074327	6	RUBBER BUSH	
30	V837069056	3	HEX CAP SCREW	
31	V640325018	3	PLUG	
32	V836664377	1	DRAIN VALVE	
33	V615881824	3	SEALING WASHER [A]	
34	V640016018	2	CUP PLUG	
35	V836866957	1	COVER	
36	V836866958	1	GASKET [A]	
37	V581804182	3	HEX SOCKET SCREW	
38	V581804202	4	HEX SOCKET SCREW	
39	V615881216	1	SEALING WASHER [A]	
40	V640045112	1	PLUG	
41	V500050840	1	FLAT WASHER [A] INCLUDED IN KIT V837079467	

6275L COMBINE (STAGE 3B / TIER 4I) (565000001-999)  
8024545-F5-1

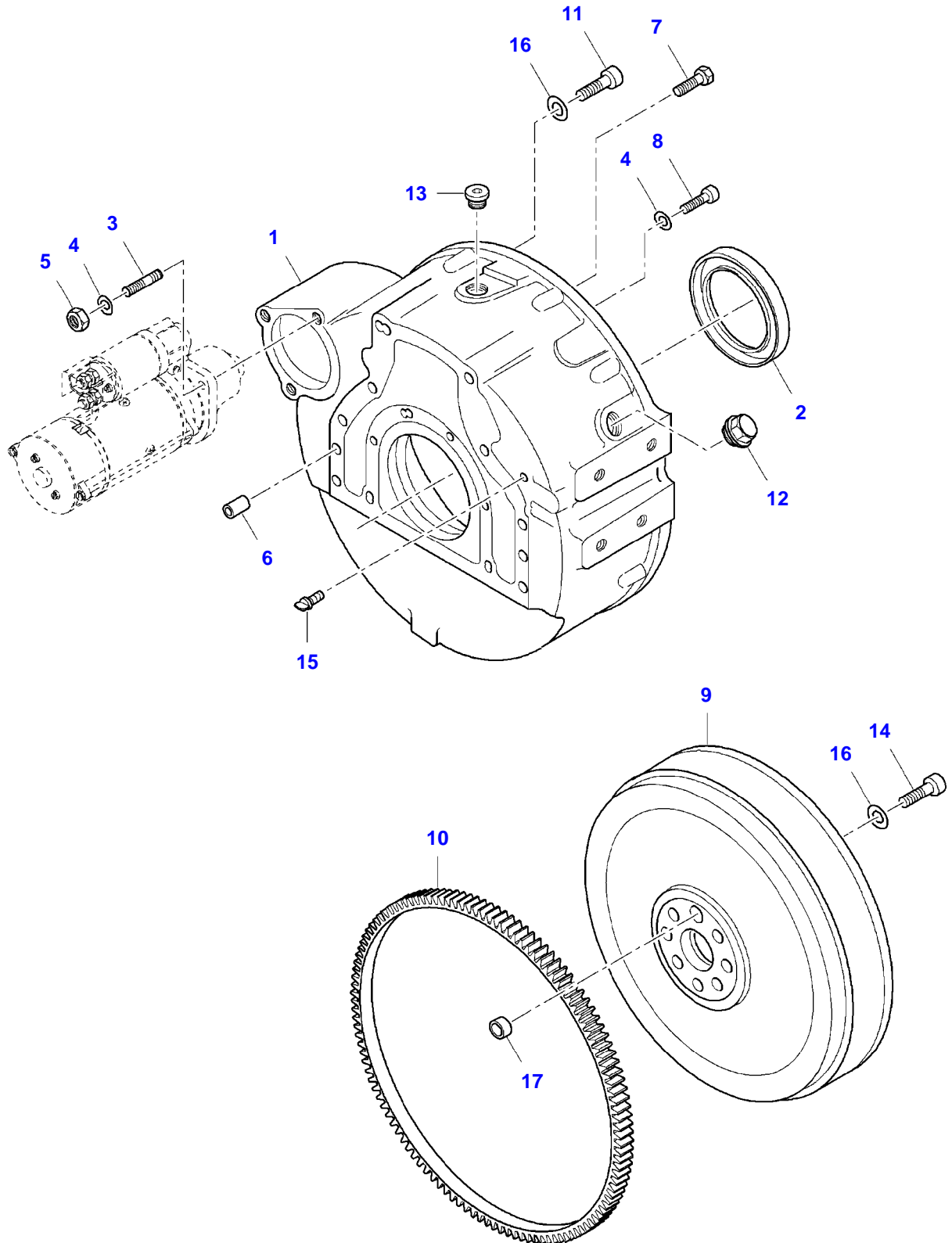


## TIMING GEARS AND HOUSING

Item	Part Number	Qty	Description Comments	Technical Specification
1	V837073565	1	TIMING GEAR CASE	
2	V581804600	10	HEX SOCKET SCREW	
3	V528801400	2	HEX CAP SCREW	
4	V598359850	3	PIN	
5	V529801470	3	HEX CAP SCREW	
6	V529801540	1	HEX CAP SCREW	
7	V837073583	1	IDLER GEAR	
8	V581705910	1	HEX SOCKET SCREW	
9	V529801440	9	HEX CAP SCREW	
10	V528801062	1	HEX CAP SCREW	
11	V614601718	1	O-RING	
12	V640045022	1	PLUG	
13	V615882227	1	SEALING WASHER [A]	
14	V837073566	1	GEAR HOUSING FRONT COVER	
15	V528801380	2	HEX CAP SCREW	
16	V615870814	2	SEALING WASHER [A]	
17	V836840883	1	CRANKSHAFT SEAL [A]	
	V836873100	X	SPACER RING	+ 3.00 MM
18	V836017927	1	CAP	
19	V614603540	1	O-RING [A]	
20	V528801410	6	HEX CAP SCREW	
21	V836120989	1	WASHER	
22	V529801520	1	HEX CAP SCREW	
23	V836855636	1	SHIELD	

[A] INCLUDED IN KIT V837079467

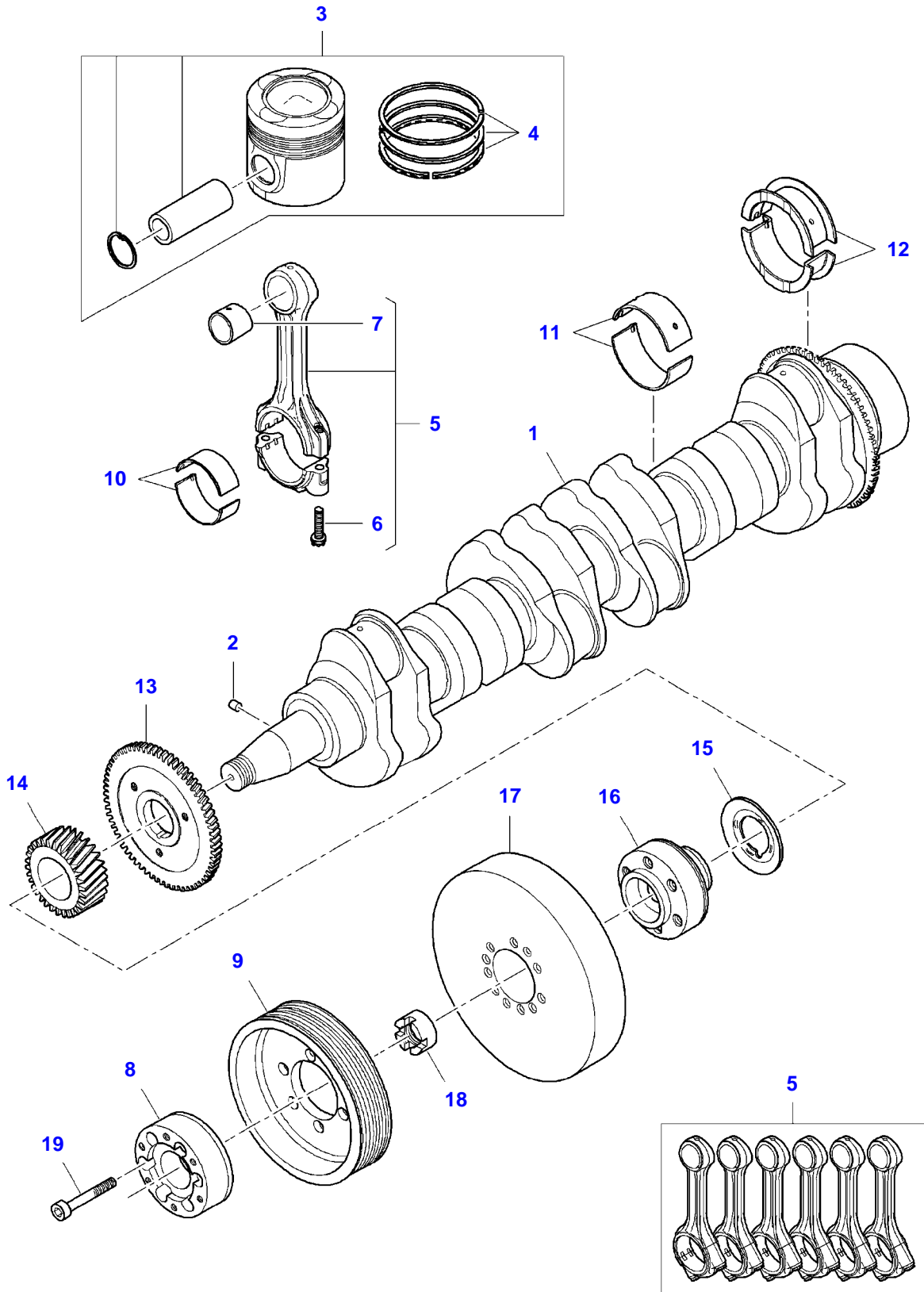
6275L COMBINE (STAGE 3B / TIER 4I) (565000001-999)  
8024546-F5-1



## FLYWHEEL AND HOUSING

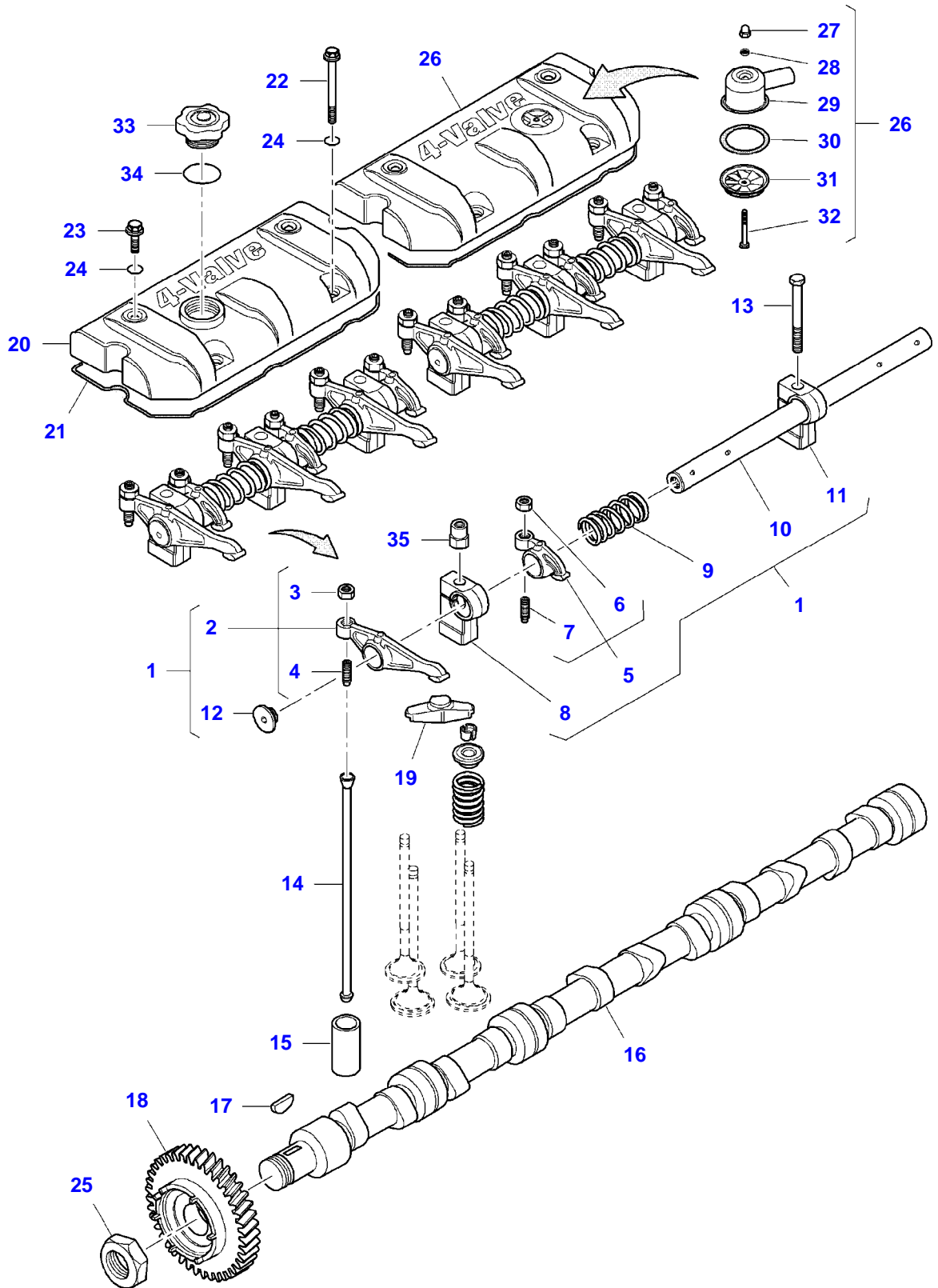
Item	Part Number	Qty	Description Comments
1	V836647440	1	FLYWHEEL HOUSING
2	V837079705	1	CRANKSHAFT SEAL [A]
3	V546801815	3	STUD BOLT
4	V500951000	6	SPRING WASHER
5	V504601000	3	NUT
6	V598359850	2	PIN
7	V528902220	6	HEX CAP SCREW
8	V581705030	6	HEX SOCKET SCREW
9	V836655066	1	FLYWHEEL
10	V836117970	1	STARTER RING
11	V581705440	2	HEX SOCKET SCREW
12	V640045126	1	PLUG
13	V640325018	1	PLUG
14	V528702230	8	HEX CAP SCREW
15	V836859311	1	PLUG
16	V500951200	1	SPRING WASHER
17	V836659527	1	GUIDE SLEEVE [A] INCLUDED IN KIT V837079467

6275L COMBINE (STAGE 3B / TIER 4I) (565000001-999)  
8024547-F5-1



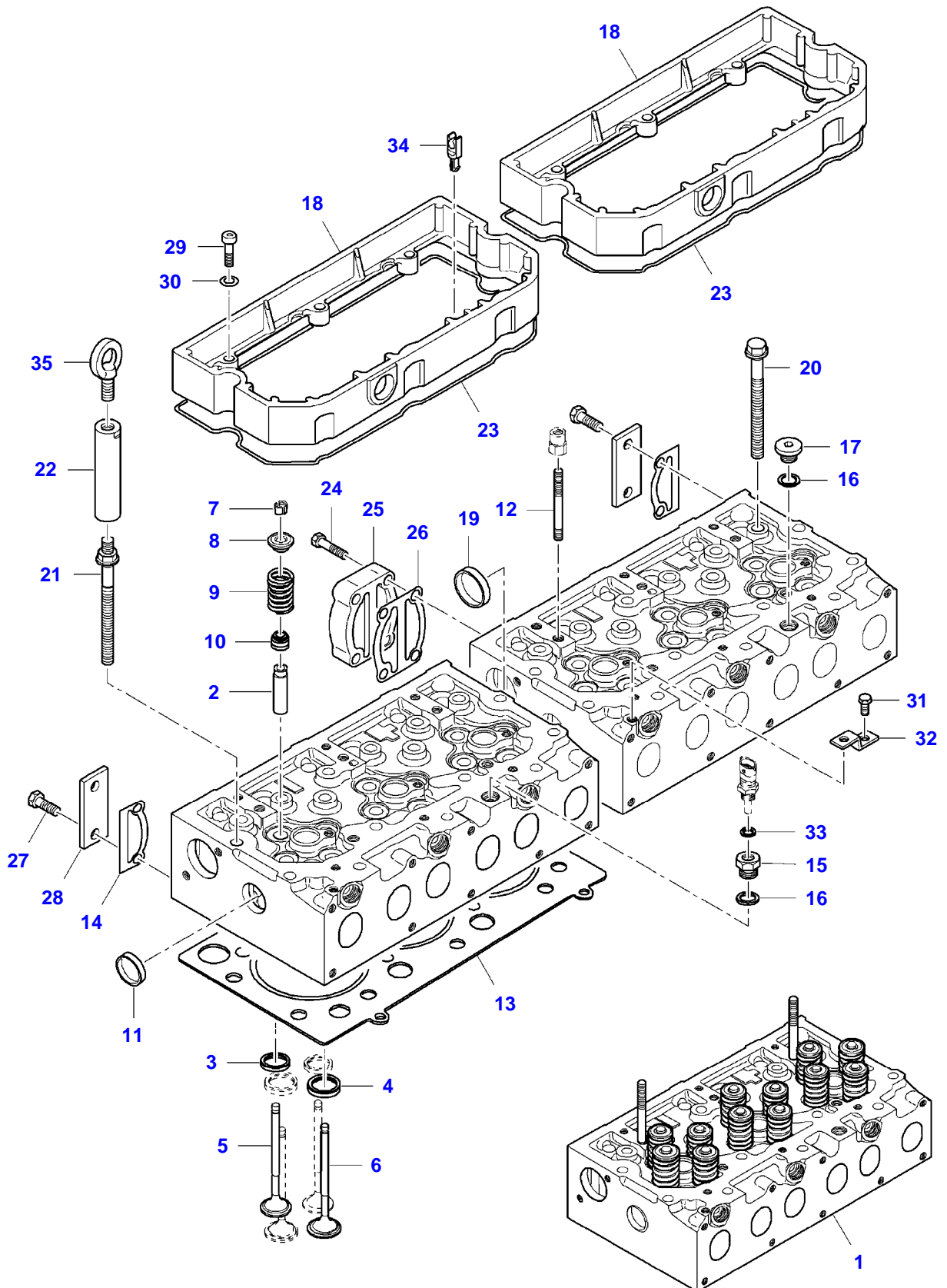
Item	Part Number	Qty	Description Comments	Technical Specification
1	V837073985	1	CRANKSHAFT	
2	V836867857	1	KEY	
3	V837074082	6	PISTON	
4	V837079460	1	PISTON RING KIT	
5	V836840928	1	CONNECTING ROD KIT	
6	V836864141	12	CONNECTING ROD BOLT	
7	V836110646	6	BEARING BUSH	STD
8	V837070345	1	SPACER	
9	V836867472	1	PULLEY	
10	V836179781	6	CONROD BEARING	STD
	V836112762	X	BEARING SHELL	
	V836112763	X	BEARING SHELL	
	V836112765	X	BEARING SHELL	
	V836112767	X	BEARING SHELL	
11	V836840944	6	MAIN BEARING	STD
	V836840978	X	MAIN BEARING	+ 0.25 MM
	V836840979	X	MAIN BEARING	+ 0.50 MM
	V836840980	X	MAIN BEARING	
	V836840981	X	MAIN BEARING	
12	V836879152	1	MAIN BEARING	STD
	V836840945	X	THRUST WASHER	
	V836840982	X	THRUST WASHER	+ 0.10 MM
	V836840983	X	THRUST WASHER	+ 0.20 MM
13	V836674069	1	GEAR,CRANKSHAFT	
14	V837073560	1	GEAR,CRANKSHAFT	
15	V836855637	1	RING	
16	V837073679	1	CRANKSHAFT HUB	
17	V837070177	1	CRANKSHAFT VIBRATION DAMPENER	
18	V836847641	1	CRANKSHAFT NUT	
19	V581705490	6	HEX SOCKET SCREW	

6275L COMBINE (STAGE 3B / TIER 4I) (56500001-999)  
8024548-F5-1



Item	Part Number	Qty	Description Comments
1	V837069016	2	ROCKER SHAFT ASM
2	V837069011	6	ROCKER ARM
3	V512861000	6	NUT
4	V837069023	6	VALVE ROCKER ADJUSTMENT SCREW
5	V837069013	6	ROCKER ARM
6	V512861000	6	NUT
7	V837069023	6	VALVE ROCKER ADJUSTMENT SCREW
8	V837069017	4	ROCKER SHAFT BRACKET
9	V837069019	4	SPRING
10	V837069015	2	SHAFT
11	V837069018	2	ROCKER SHAFT BRACKET
12	V837069020	4	PLUG
13	V529801910	2	HEX CAP SCREW
14	V837070119	12	PUSH ROD
15	V836014264	12	TAPPET
16	V837069101	1	CAMSHAFT
17	V603305760	1	WOODRUFF KEY
18	V837073562	1	GEAR,CAMSHAFT
19	V837073089	12	VALVE BRIDGE
20	V837070447	1	VALVE ROCKER COVER
21	V837067881	2	VALVE ROCKER COVER GASKET [A]
22	V540801910	4	HEXAGON FLANGE BOLT
23	V540801780	4	HEXAGON FLANGE BOLT
24	V614901030	8	O-RING [A]
25	V837069085	1	NUT
26	V837070452	1	VALVE ROCKER COVER
27	V519600602	1	NUT
28	V836667508	1	SEALING WASHER
29	V837070442	1	BREATHER CAP
30	V836667459	1	GASKET
31	V837070443	1	BREATHER
32	V528801172	1	HEX CAP SCREW
33	V836659968	1	OIL FILLER CAP
34	V614704850	1	O-RING [A]
35	V836655406	4	SLEEVE NUT [A] INCLUDED IN KIT V837079466

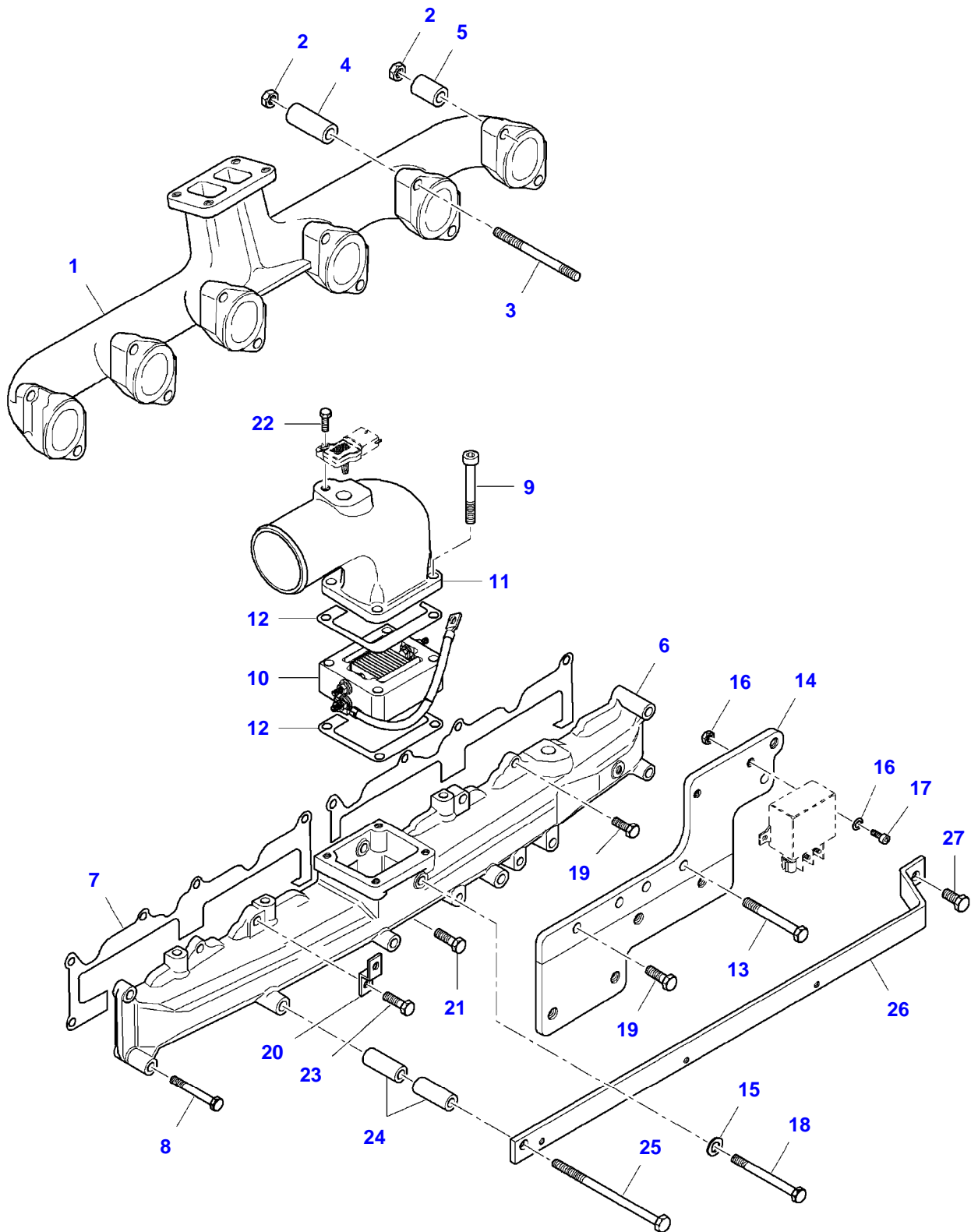
6275L COMBINE (STAGE 3B / TIER 4I) (565000001-999)  
8024637-F5-1



## CYLINDER HEAD

Item	Part Number	Qty	Description Comments	Technical Specification
1	V837073233	2	CYLINDER HEAD INCLUDES ITEMS 2-12	
2	V837073174	24	VALVE GUIDE	
3	V837064907	12	VALVE SEAT	STD 4V EXHAUST
	V837070187	X	VALVE SEAT	4V EXHAUST + 0.20 MM
4	V837064908	12	VALVE SEAT	STD 4V INTAKE
	V837070188	X	VALVE SEAT	4V INTAKE + 0.20 MM
5	V837069002	12	EXHAUST VALVE	
6	V837069003	12	INTAKE VALVE	
7	V837064910	48	COTTER	
8	V837069004	24	SPRING PLATE	
9	V837069005	24	VALVE SPRING	
10	V837073165	24	VALVE STEM GASKET [A]	
11	V836647942	8	CUP PLUG	
12	V546801900	4	STUD BOLT	
13	V837070290	2	CYLINDER HEAD GASKET [A]	
14	V836867753	2	GASKET [A]	
15	V836119643	1	THREADED NIPPLE	
16	V615881822	2	SEALING WASHER [A]	
17	V640325018	1	PLUG	
18	V837084220	2	VALVE ROCKER COVER FRAME	
19	V640016045	1	CUP PLUG	
20	V837069025	32	CYLINDER HEAD BOLT	
21	V837073571	2	CYLINDER HEAD BOLT	
22	V836867567	2	LIFTING EYE EXTENSION	
23	V837067881	2	VALVE ROCKER COVER GASKET [A]	
24	V528801830	4	HEX CAP SCREW	
25	V836855348	1	CONNECTION FLANGE	
26	V836867752	1	GASKET [A]	
27	V528801800	4	HEX CAP SCREW	
28	V836855350	2	BLOCK OFF PLATE	
29	V581804630	6	HEX SOCKET SCREW	
30	V500950800	6	SPRING WASHER	
31	V528801360	1	HEX CAP SCREW	
32	V836747849	1	SUPPORT	
33	V615881418	1	SEALING WASHER [A]	
34	V837073227	4	BAND	
35	V836640752	2	LIFT EYE [A] INCLUDED IN KIT V837079466	

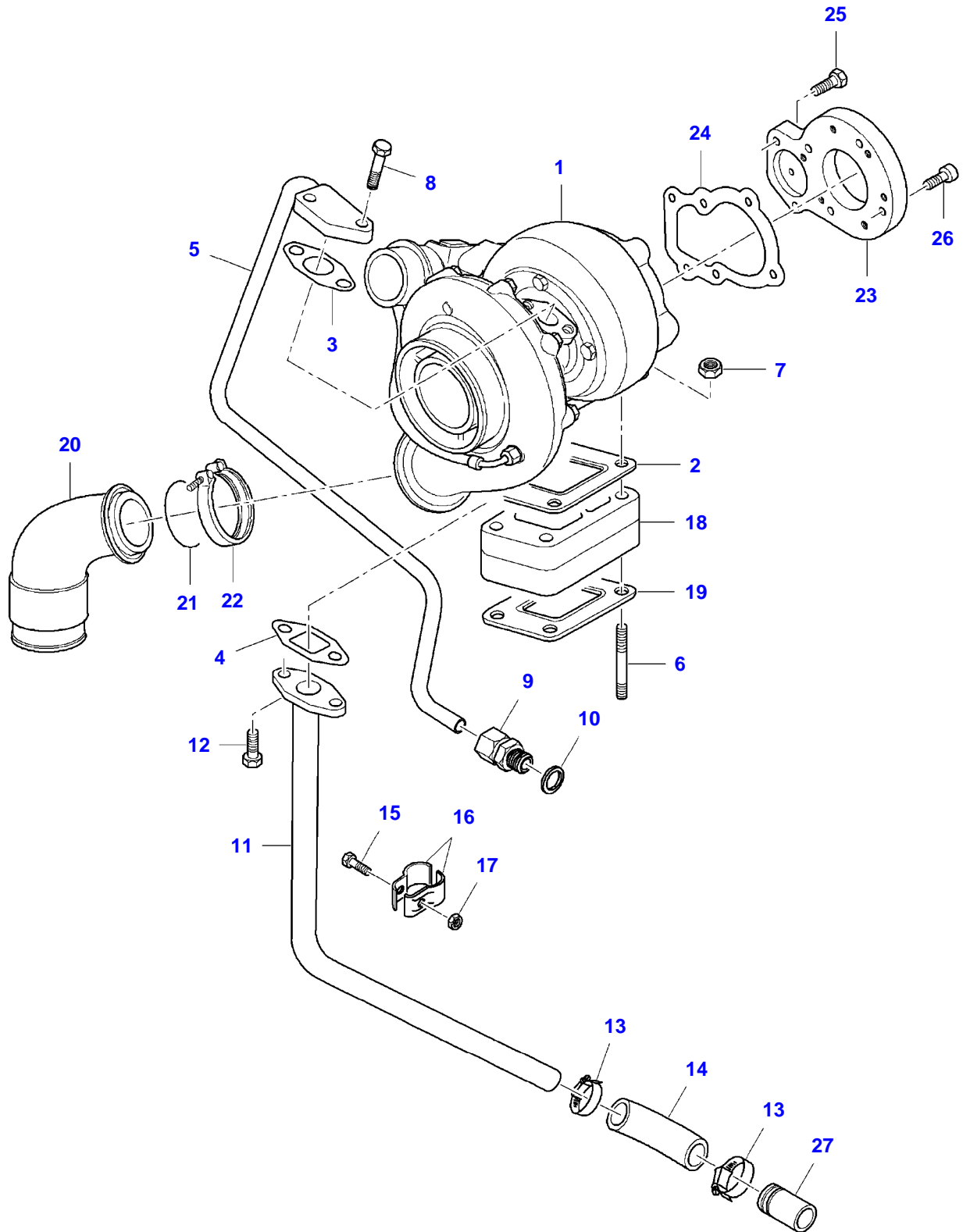
6275L COMBINE (STAGE 3B / TIER 4I) (565000001-999)  
8024636-F5-1



## AIR INTAKE &amp; EXHAUST

Item	Part Number	Qty	Description Comments
1	V836867065	1	EXHAUST MANIFOLD
2	V513601002	12	NUT
3	V836859188	12	STUD BOLT
4	V836664013	10	SPACER PIECE
5	V836664012	2	SPACER PIECE
6	V837070219	1	INTAKE MANIFOLD
7	V837069009	2	INTAKE MANIFOLD GASKET [A]
8	V529801470	1	HEX CAP SCREW
9	V581804702	4	HEX SOCKET SCREW
10	V837067295	1	INTAKE AIR PREHEATER
11	V836867579	1	AIR PIPE
12	V837067345	2	GASKET [A]
13	V529801530	2	HEX CAP SCREW
14	V837074078	1	BRACKET
15	V836015967	1	SEALING WASHER [A]
16	V500050642	2	WASHER
17	V581804182	2	HEX SOCKET SCREW
18	V529801550	1	HEX CAP SCREW
19	V528801400	4	HEX CAP SCREW
20	V836747849	1	SUPPORT
21	V528801410	8	HEX CAP SCREW
22	V528801082	1	HEX CAP SCREW
23	V528801420	1	HEX CAP SCREW
24	V836759433	2	SPACER PIECE
25	V529801595	1	HEX CAP SCREW
26	V837074145	1	SUPPORT
27	V528801362	1	HEX CAP SCREW [A] INCLUDED IN KIT V837079466

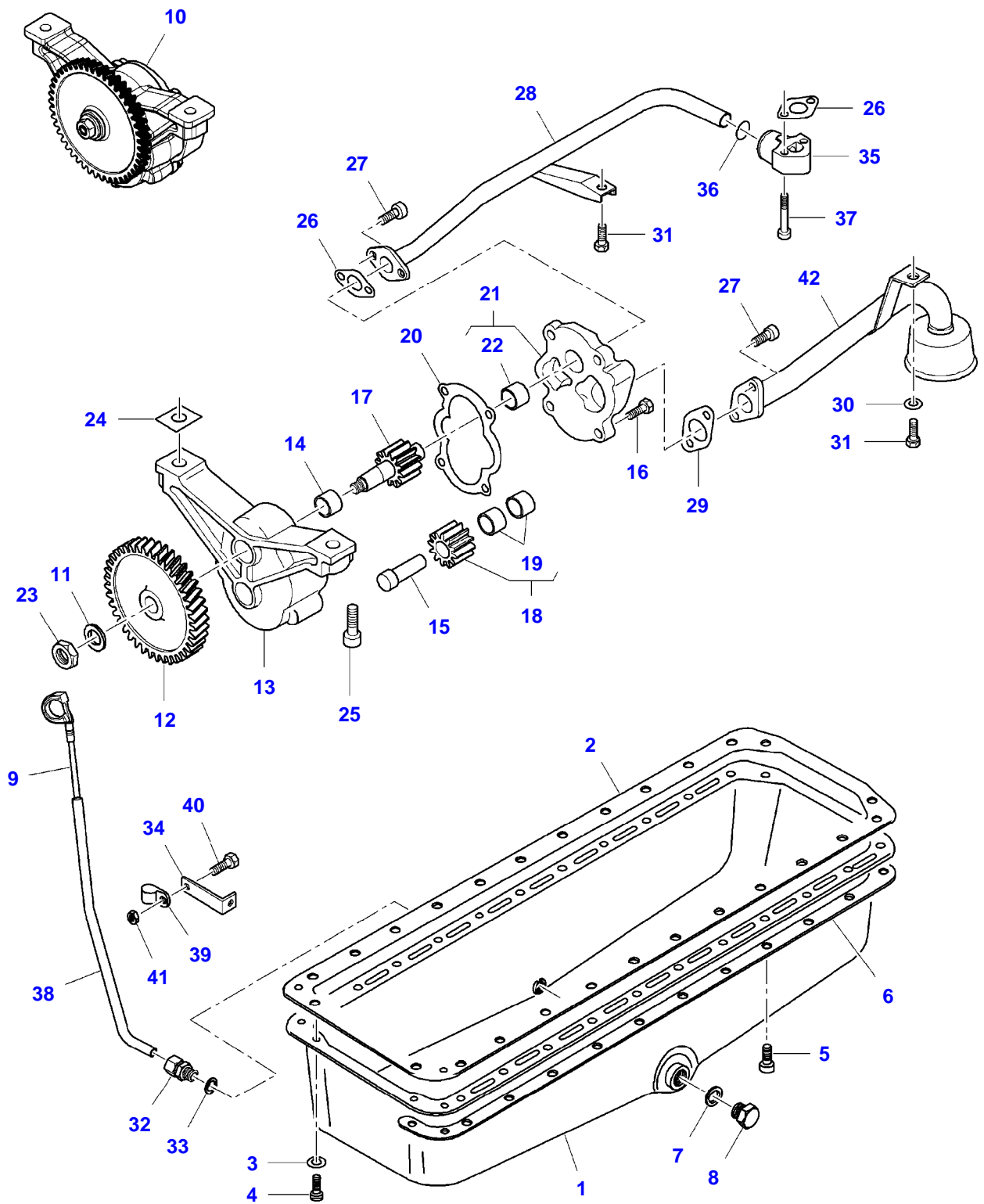
6275L COMBINE (STAGE 3B / TIER 4I) (565000001-999)  
8024638-F5-1



## TURBOCHARGER

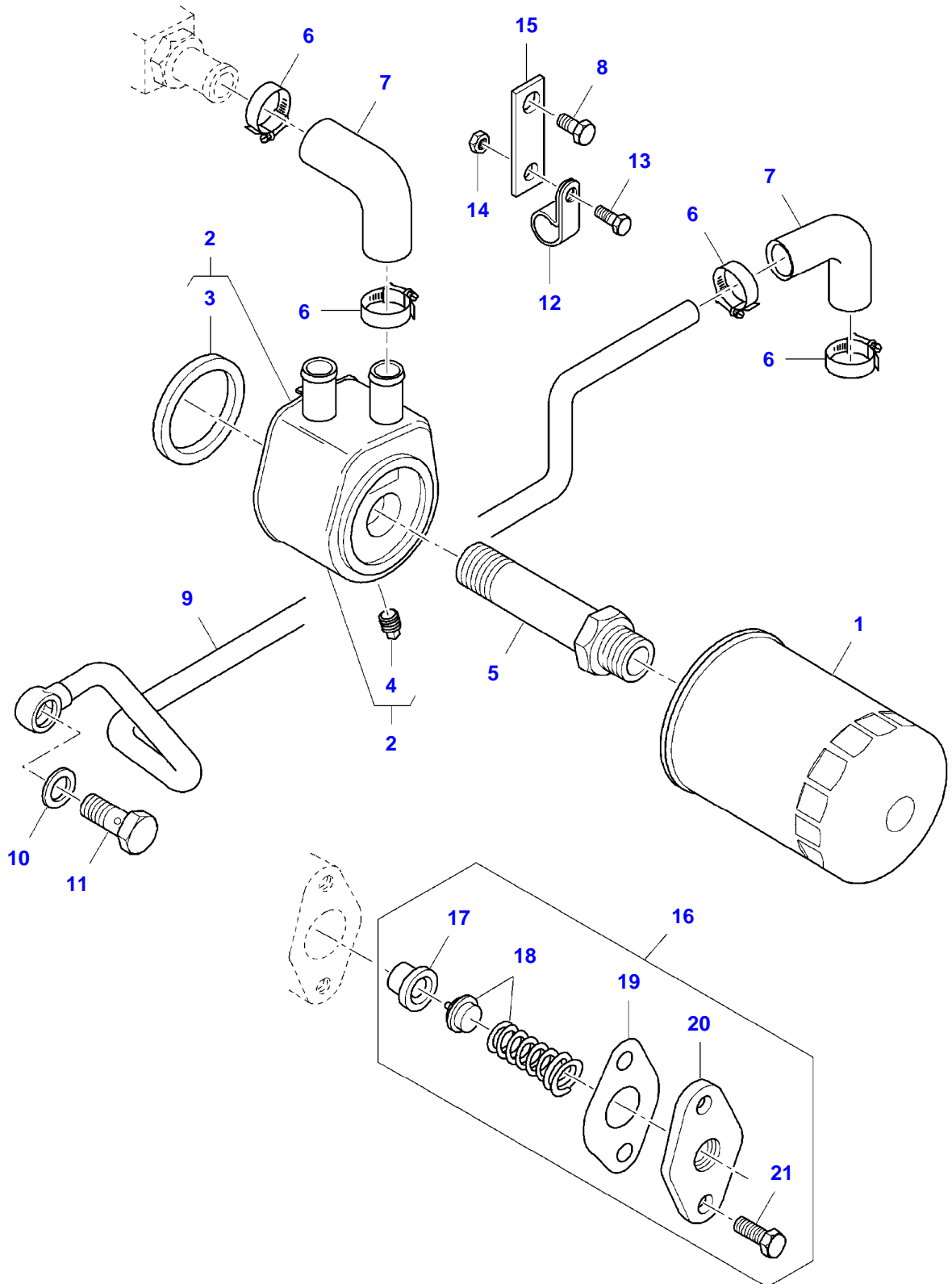
Item	Part Number	Qty	Description Comments
1	V836873826	1	TURBOCHARGER
2	V836316726	4	GASKET [A]
3	V836866808	4	GASKET [A]
4	V836866809	2	GASKET [A]
5	V837070341	1	TURBOCHARGER LUBRICATION OIL PIPE
6	V546701900	4	STUD BOLT
7	V521601000	4	NUT
8	V528801410	2	HEX CAP SCREW
9	V641086012	1	STRAIGHT FITTING
10	V615881620	1	SEALING WASHER [A]
11	V837070342	1	TURBOCHARGER LUBRICATION OIL PIPE
12	V528801380	2	HEX CAP SCREW
13	V602087528	1	HOSE CLIP
14	V836647576	1	RUBBER ELBOW
15	V529801112	1	HEX CAP SCREW
16	V835324324	2	PIPE CLAMP HALF
17	V504600602	1	NUT
18	V837070340	1	FLANGE
19	V836316726	1	GASKET [A]
20	V836866381	1	BOOST PIPE
21	V614606225	1	O-RING [A]
22	V836866454	1	V CLAMP
23	V836873773	1	FLANGE
24	V836355017	1	GASKET [A]
25	V528801400	2	HEX CAP SCREW
26	V581804600	4	HEX SOCKET SCREW
27	V836647574	1	OIL PIPE [A] INCLUDED IN KIT V837079466

6275L COMBINE (STAGE 3B / TIER 4I) (565000001-999)  
8024595-F5-1



Item	Part Number	Qty	Description Comments
1	V836347308	1	OIL SUMP
2	V836322538	1	OIL SUMP GASKET [A]
3	V500950800	4	SPRING WASHER
4	V580804600	4	HEX SOCKET SCREW
5	V580805000	24	HEX SOCKET SCREW
6	V836884179	2	PLATE
7	V615882227	1	SEALING WASHER [A]
8	V640045022	1	PLUG
9	V836867888	1	DIPSTICK
10	V836855300	1	LUBRICATING OIL PUMP INCLUDES ITEMS 11-23
11	V836122910	1	WASHER
12	V836338667	1	GEAR
13	V836338186	1	FRAME
14	V836322909	1	BUSH
15	V836322906	1	OIL PUMP SHAFT
16	V528801382	4	HEX CAP SCREW
17	V836338182	1	OIL PUMP SHAFT
18	V836338180	1	GEAR,OIL PUMP
19	V836322909	2	BUSH
20	V836338188	1	GASKET [A]
21	V836855297	1	COVER
22	V836322909	1	BUSH
23	V504861000	1	NUT
24	V836007871	X	SHIM
25	V581805050	2	HEX SOCKET SCREW
26	V836008449	2	GASKET [A]
27	V581804602	4	HEX SOCKET SCREW
28	V836866569	1	OIL PIPE
29	V836338201	1	GASKET [A]
30	V500150840	1	WASHER
31	V528801360	2	HEX CAP SCREW
32	V641086012	1	STRAIGHT FITTING
33	V615881620	1	SEALING WASHER [A]
34	V836859955	1	SUPPORT
35	V836866563	1	ADAPTER FLANGE
36	V614702230	1	O-RING [A]
37	V581804680	2	HEX SOCKET SCREW
38	V836867889	1	OIL DIPSTICK GUIDE PIPE
39	V602060612	1	RETAINER CLAMP
40	V528801400	2	HEX CAP SCREW
41	V504800800	1	NUT
42	V836855674	1	OIL PUMP SUCTION PIPE [A] INCLUDED IN KIT V837079467

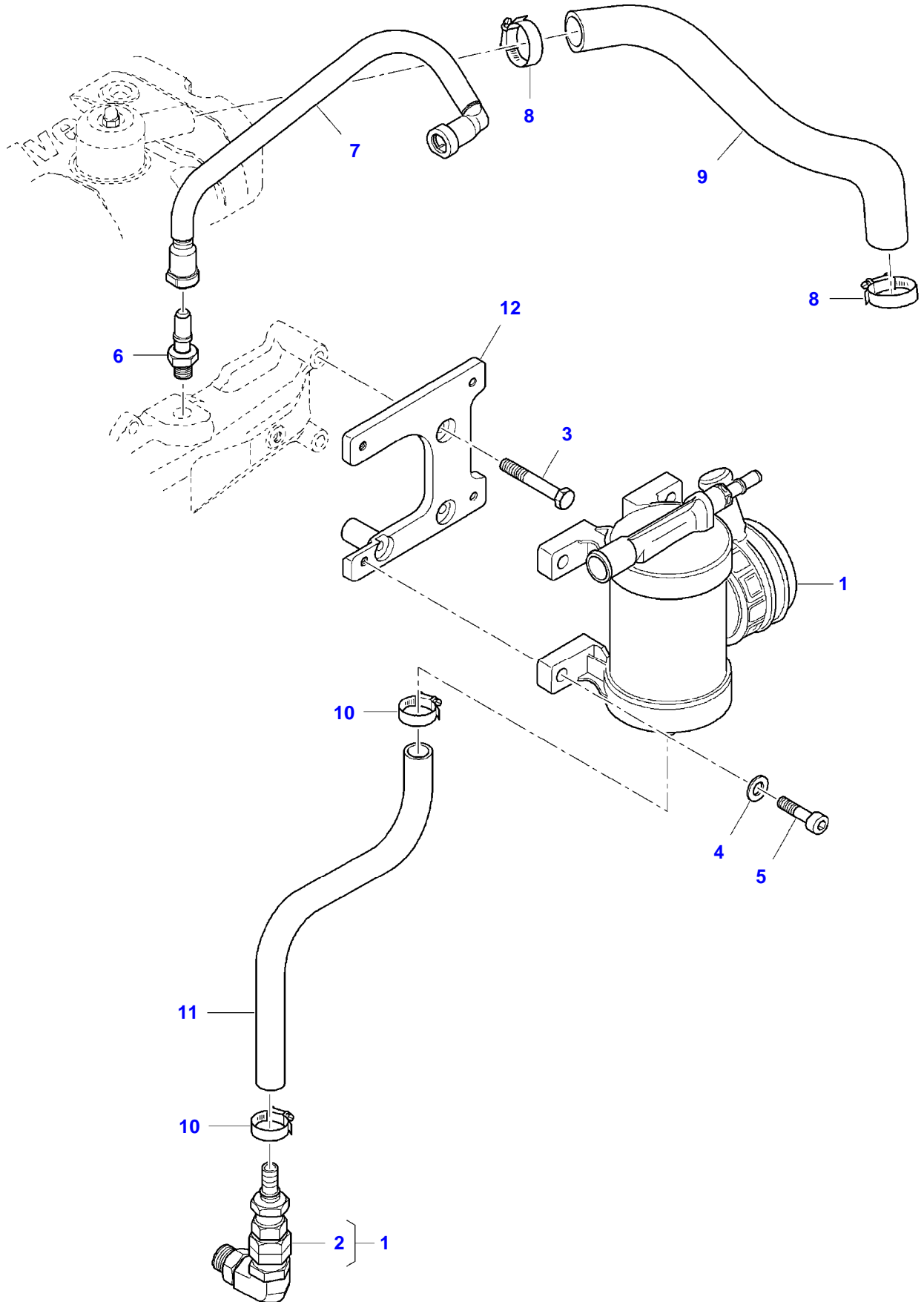
6275L COMBINE (STAGE 3B / TIER 4I) (565000001-999)  
8024664-F5-1



## OIL COOLER AND FILTER

Item	Part Number	Qty	Description Comments
1	V836679586	1	ENGINE OIL FILTER
2	V836859699	1	OIL COOLER
3	V836862235	1	SEAL [A]
4	V640004004	1	PLUG
5	V836859700	1	UNION
6	V602079516	4	HOSE CLIP
7	V836859899	2	RUBBER ELBOW
8	V528801760	1	HEX CAP SCREW
9	V837073863	1	WATER PIPE
10	V615881822	2	SEALING WASHER [A]
11	V640435015	1	BANJO BOLT
12	V602074615	1	RETAINER CLAMP
13	V528801382	1	HEX CAP SCREW
14	V504800800	1	NUT
15	V837070143	1	SUPPORT
16	V837079484	1	OIL PRESSURE CONTROL VALVE
17	V836659521	1	VALVE SEAT
18	V836667650	1	SPRING ASSEMBLY
19	V836322190	1	GASKET [A]
20	V837074289	1	COVER
21	V528801382	2	HEX CAP SCREW [A] INCLUDED IN KIT V837079467

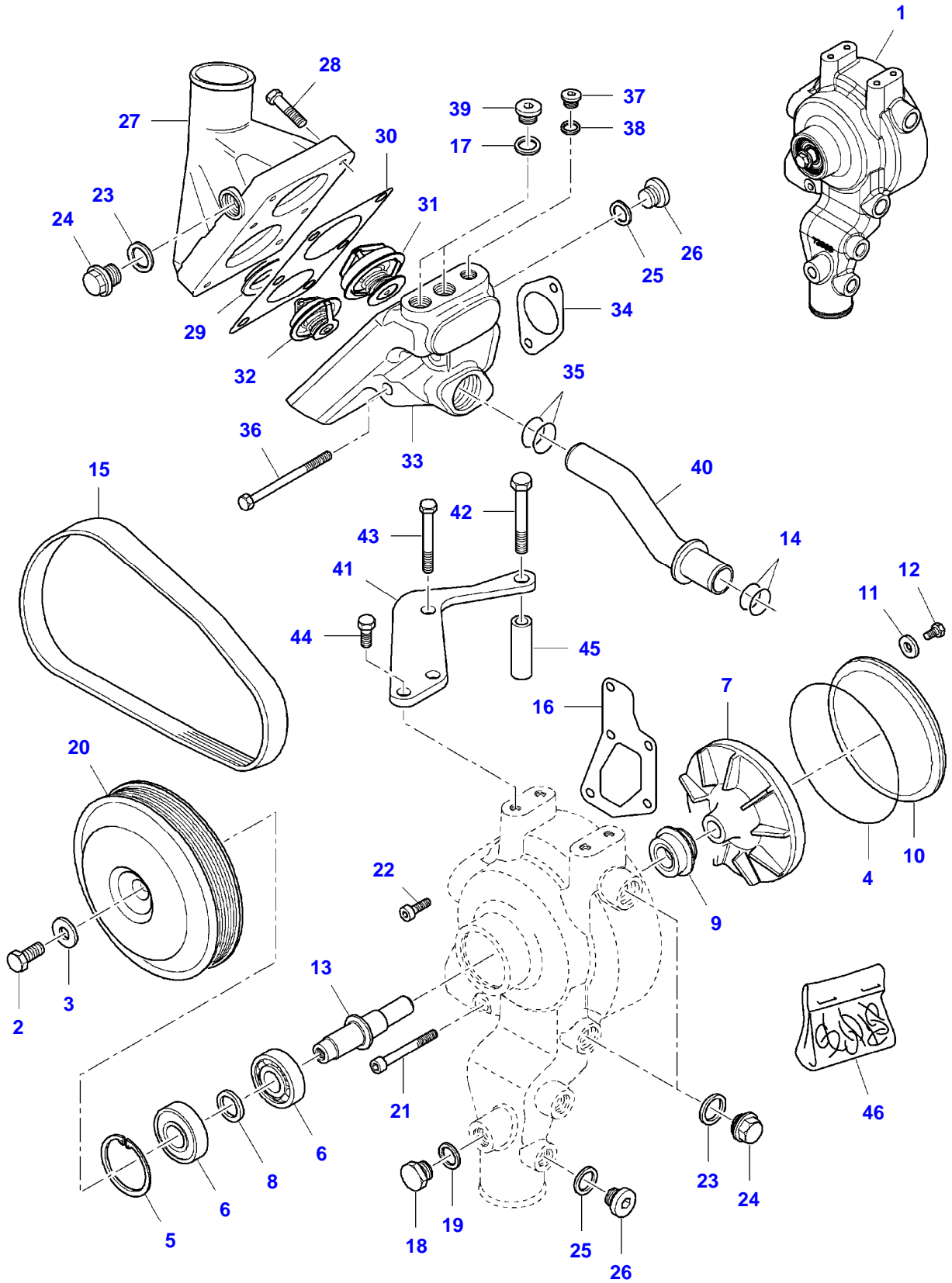
6275L COMBINE (STAGE 3B / TIER 4I) (565000001-999)  
8024777-F5-1



8024777-F5-1

<b>Item</b>	<b>Part Number</b>	<b>Qty</b>	<b>Description</b>	<b>Comments</b>
1	V837084090	1	BREATHER VALVE	
2	V837079487	1	CHECK VALVE	
3	V529801480	3	HEX CAP SCREW	
4	V500150842	4	WASHER	
5	V581804630	4	HEX SOCKET SCREW	
6	V837067936	1	QUICK COUPLER	
7	V837074303	1	AIR HOSE	
8	V602090544	2	HOSE CLIP	
9	V837074422	1	HOSE	
10	V602079516	2	HOSE CLIP	
11	V837074299	1	HOSE	
12	V837074103	1	BRACKET	

6275L COMBINE (STAGE 3B / TIER 4I) (565000001-999)  
8024780-F5-1



Item	Part Number	Qty	Description Comments
			UP TO ENGINE S/N Z23910
1	V837073601	1	WATER PUMP INCLUDES ITEMS 2-14
2	V528801780	1	HEX CAP SCREW
3	V836122910	1	WASHER
4	V614612530	1	O-RING [C]
5	V617330052	1	LOCK RING [C]
6	V610063044	2	BALL BEARING [C]
7	V836336047	1	IMPELLER
8	V836747716	1	SLEEVE
9	V836859452	1	WATER PUMP CARTRIDGE GASKET [C]
10	V836867624	1	PLATE
11	V836867659	3	WASHER
12	V528801052	3	HEX CAP SCREW
13	V837073605	1	WATER PUMP SHAFT
14	V614602430	2	O-RING [A][C]
15	V685041022	1	MULTI-RIBBED BELT
16	V837073622	1	GASKET [B][C]
17	V615881418	2	SEALING WASHER [A]
18	V836119079	1	PLUG
19	V615881620	1	SEALING WASHER [C]
20	V837073606	1	WATER PUMP MULTI-RIBBED PULLEY
21	V581804702	2	HEX SOCKET SCREW
22	V581804602	2	HEX SOCKET SCREW
23	V615882227	3	SEALING WASHER [B][C]
24	V640045022	3	PLUG
25	V615881822	2	SEALING WASHER [B][C]
26	V640325018	2	PLUG
27	V836855602	1	WATER PIPE
28	V528801420	6	HEX CAP SCREW
29	V836336425	1	INTERMEDIATE PLATE
30	V836855603	1	GASKET [A]
31	V836331590	1	THERMOSTAT
32	V836015156	1	THERMOSTAT
33	V836874455	1	THERM. HOUSING
34	V836646393	1	GASKET [A]
35	V614602430	2	O-RING [A]
36	V529801480	2	HEX CAP SCREW
37	V640325110	1	SCREW PLUG
38	V615871014	1	SEALING WASHER [A]
39	V640325014	1	PLUG
40	V836874467	1	WATER PIPE
41	V837073777	1	SUPPORT
42	V529801870	1	HEX CAP SCREW
43	V529801470	1	HEX CAP SCREW
44	V528801360	2	HEX CAP SCREW
45	V836652803	2	SPACER PIECE
46	V837079407	1	WATER PUMP REPAIR KIT

---

Fendt

---

6275L COMBINE (STAGE 3B / TIER 4I) (565000001-999)

3906390

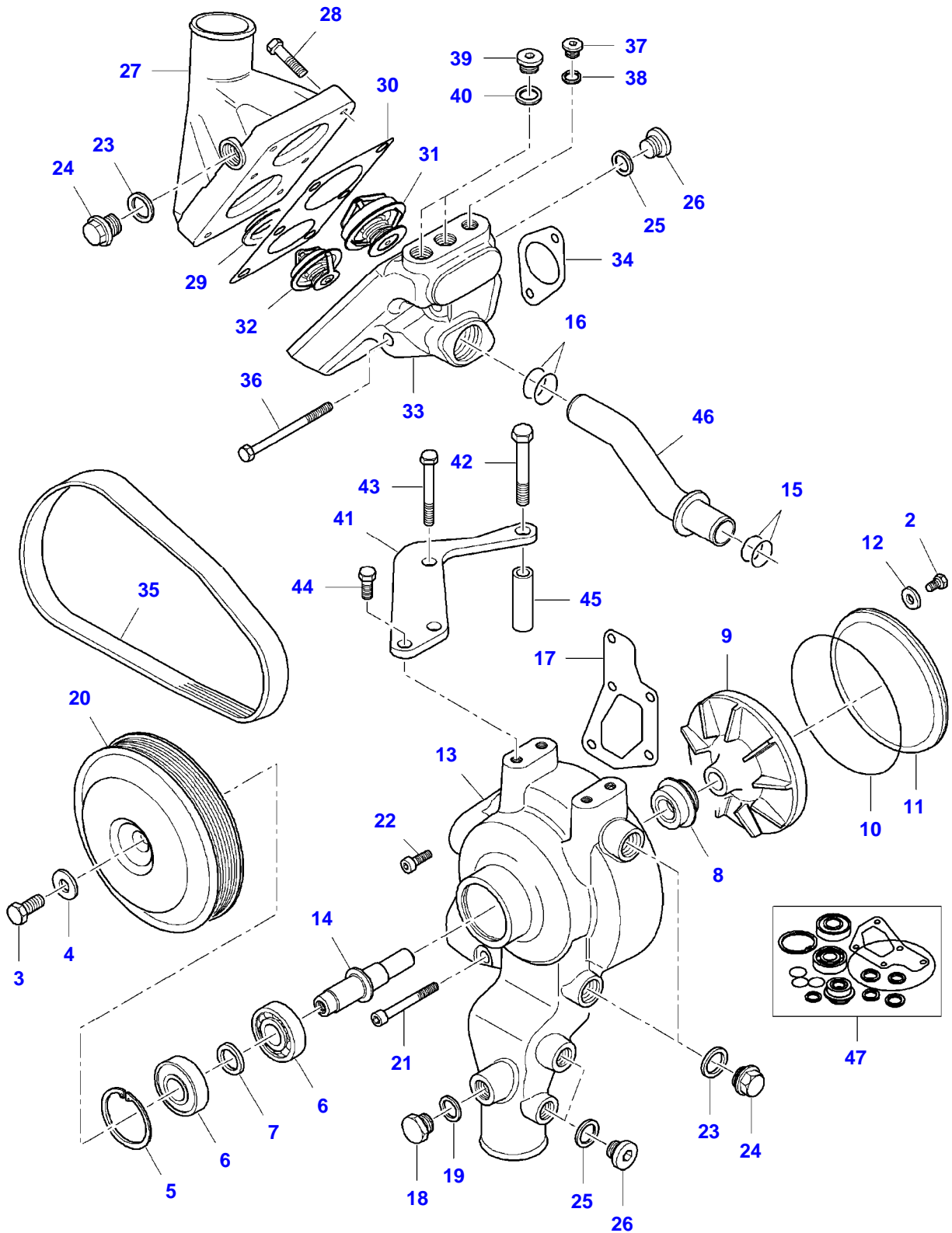
---

COOLANT PUMP AND THERMOSTAT

Page01-0013

Item	Part Number	Qty	Description	Comments
			[A] INCLUDED IN KIT V837079466	
			[B] INCLUDED IN KIT V837079467	
			[C] INCLUDED IN KIT V837079407	

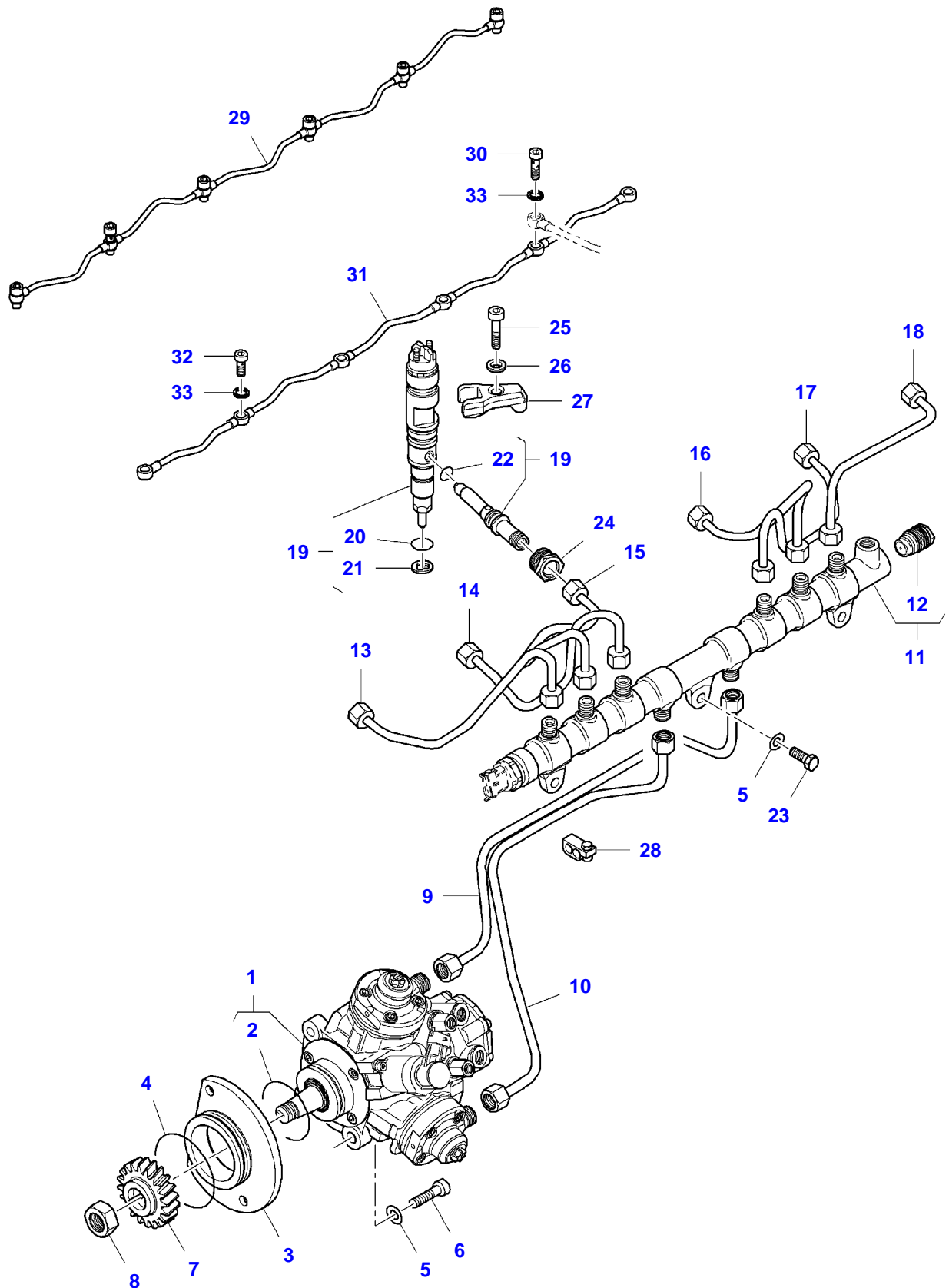
6275L COMBINE (STAGE 3B / TIER 4I) (565000001-999)  
8028659-F5-1



Item	Part Number	Qty	Description Comments	Technical Specification
			FROM ENGINE S/N Z23911	
1	V837079842	1	KIT,WATER PUMP INCLUDES ITEMS 2-17 [D]	
2	V528801052	3	HEX CAP SCREW	
3	V528801780	1	HEX CAP SCREW	
4	V837084546	1	WASHER	
5	V617330052	1	LOCK RING [C]	
6	V610063044	2	BALL BEARING [C]	
7	V836747716	1	SLEEVE	
8	V837073981	1	WATER PUMP CARTRIDGE GASKET [C]	
9		1	IMPELLER	
10	V614612530	1	O-RING [C]	
11		1	PLATE	
12	V836867659	3	WASHER	
13		1	FRAME	
14		2	SHAFT	
15	V614602430	2	O-RING [A][C]	
16	V614602430	2	O-RING [C]	
17	V837073622	2	GASKET [B][C]	
18	V836119079	1	PLUG	
19	V615881620	1	SEALING WASHER [C]	
20	V837073606	1	WATER PUMP MULTI-RIBBED PULLEY	
21	V581804702	2	HEX SOCKET SCREW	
22	V581804602	2	HEX SOCKET SCREW	
23	V615882227	3	SEALING WASHER [B][C]	
24	V640045022	3	PLUG	
25	V615881822	3	SEALING WASHER [B][C]	
26	V640325018	3	PLUG	
27	V836855602	1	WATER PIPE	
28	V528801420	6	HEX CAP SCREW	
29	V836336425	1	INTERMEDIATE PLATE	
30	V836855603	1	GASKET [A]	
31	V836331590	1	THERMOSTAT 83°C	
32	V836015156	1	THERMOSTAT 79°C	
33	V836874455	1	THERM. HOUSING	
34	V836646393	1	GASKET [A]	
35	V685041022	1	MULTI-RIBBED BELT	
36	V529801480	2	HEX CAP SCREW	
37	V640325110	1	SCREW PLUG	
38	V615871014	1	SEALING WASHER [A]	
39	V640325014	1	PLUG	

Item	Part Number	Qty	Description Comments	Technical Specification
40	VKH3618	2	SEAL RING [A]	Ø 14-18 X 1,5 MM
41	V837073777	1	SUPPORT	
42	V529801870	1	HEX CAP SCREW	
43	V529801470	1	HEX CAP SCREW	
44	V528801360	2	HEX CAP SCREW	
45	V836652803	2	SPACER PIECE	
46	V836874467	1	WATER PIPE	
47	V837079851	1	WATER PUMP REPAIR KIT [A] INCLUDED IN KIT V837079466 [B] INCLUDED IN KIT V837079467 [C] INCLUDED IN KIT V837079851 [D] NOT ILLUSTRATED	

6275L COMBINE (STAGE 3B / TIER 4I) (565000001-999)  
8024598-F5-1



## FUEL INJECTION SYSTEM

Item	Part Number	Qty	Description Comments	Technical Specification
1	V837073731	1	HIGH PRESSURE INJECTION PUMP	CP4-18/2
2	V837079431	1	O-RING [B]	
3	V837073688	1	FLANGE	
4	V614606230	1	O-RING [B]	
5	V500150842	6	WASHER	
6	V581804640	3	HEX SOCKET SCREW	
7	V837073563	1	GEAR,INJ.PUMP	
8	V504611802	1	NUT	
9	V837073703	1	FUEL PIPE	
10	V837073702	1	FUEL PIPE	
11	V837073584	1	RAIL PIPE	
12	V837079433	1	FUEL PRESSURE VALVE	
13	V837073574	1	INJECTION PIPE CYL. 1	
14	V837073575	1	INJECTION PIPE CYL. 2	
15	V837073576	1	INJECTION PIPE CYL. 3	
16	V837073577	1	INJECTION PIPE CYL. 4	
17	V837073578	1	INJECTION PIPE CYL. 5	
18	V837073579	1	INJECTION PIPE CYL. 6	
19	V837079432	6	INJECTOR	CRIN3-18
20	V837069313	6	O-RING [A]	
21	V837069032	6	SEALING RING [A]	
22	V837069314	6	O-RING [A]	
23	V528801382	2	HEX CAP SCREW	
24	V837069268	6	NUT	
25	V581704660	6	HEX SOCKET SCREW	
26	V837070121	6	WASHER	
27	V837069007	6	FASTENER	
28	V837073721	1	RETAINER CLAMP	
29	V837073763	1	INJECTOR OVERFLOW PIPE INCLUDES ITEMS 30-33	
30	V837073118	1	DUAL BANJO BOLT	
31	V837069027	1	INJECTOR OVERFLOW PIPE	
32	V837073117	5	BANJO BOLT	
33	V615870812	13	SEALING WASHER [A]	
			[A] INCLUDED IN KIT V837079466	
			[B] INCLUDED IN KIT V837079467	



**Suggest:**

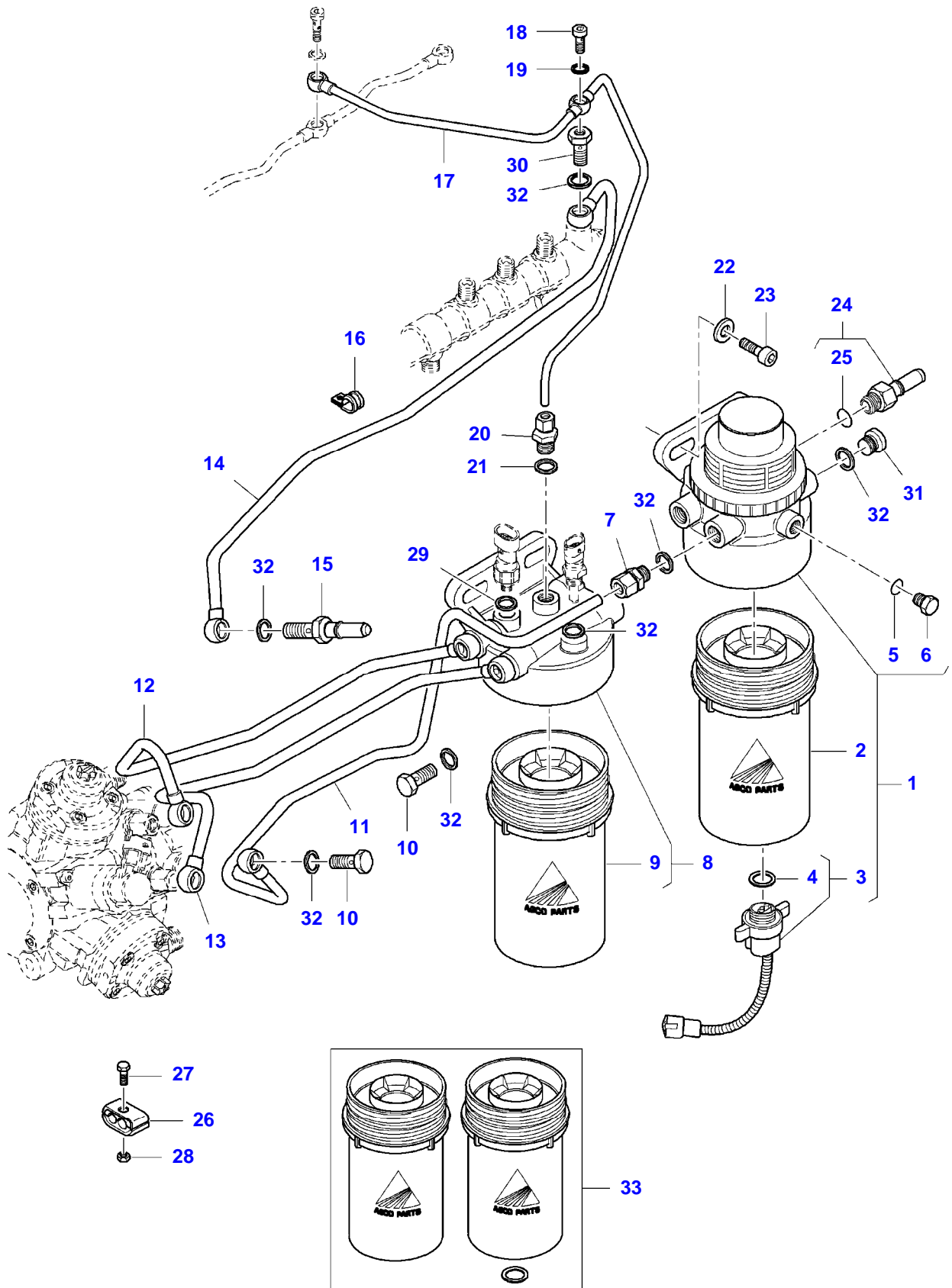
**For more complete manuals. Please go to the home page.**

**<https://www.ebooklibonline.com>**

**If the above button click is invalid. Please download this document first, and then click the above link to download the complete manual.**

**Thank you so much for reading**

6275L COMBINE (STAGE 3B / TIER 4I) (565000001-999)  
8024599-F5-1



## FUEL FILTERS

Item	Part Number	Qty	Description Comments
1	V837073963	1	PREFILTER
2	NS	1	NON-SERVICEABLE PART
3	V837074054	1	FUEL FILTER WATER ALARM
4	V837079695	1	SEAL
5	V837079628	1	O-RING
6	V837079489	1	DRAIN PLUG
7	V641086010	1	STRAIGHT FITTING
8	V837073857	1	MAIN FUEL FILTER
9	NS	1	NON-SERVICEABLE PART
10	V640435010	5	BANJO BOLT
11	V837073933	1	FUEL PIPE
12	V837073936	1	FUEL PIPE
13	V837073938	1	FUEL PIPE
14	V837073944	1	FUEL PIPE
15	V837074191	1	QUICK COUPLER
16	V602060610	1	RETAINER CLAMP
17	V837073958	1	FUEL PIPE
18	V837073117	1	BANJO BOLT
19	V615870812	2	SEALING WASHER [A]
20	V837074146	1	STRAIGHT FITTING
21	V615871216	1	GASKET [A]
22	V500151050	4	WASHER
23	V581805020	4	HEX SOCKET SCREW
24	V837074076	1	QUICK COUPLER
25	V614601125	1	O-RING [B]
26	V602098110	2	RETAINER CLAMP
27	V528801102	2	HEX CAP SCREW
28	V510600602	2	NUT
29	V615871016	1	SEALING WASHER [A]
30	V836007420	1	BANJO BOLT
31	V640325014	2	PLUG
32	V615881420	17	SEALING WASHER [A]
33	V837079718	1	FUEL FILTER KIT [A] INCLUDED IN KIT V837079466 [B] INCLUDED IN KIT V837079467

**<https://www.ebooklibonline.com>**

Hello dear friend!

Thank you very much for reading.

Enter the link into your browser.

The full manual is available for immediate download.

**<https://www.ebooklibonline.com>**