

TABLE OF CONTENT

Page Number	Page Title	Page Reference
01-000-TOC	ENGINE V835077149 74 AWF	01-000-TOC
02-000-TOC	ENGINE INSTALLATION	02-000-TOC
03-000-TOC	DRIVE SYSTEM	03-000-TOC
04-000-TOC	AXLES	04-000-TOC
05-000-TOC	FRAME AND SUSPENSION	05-000-TOC
06-000-TOC	STEERING SYSTEM	06-000-TOC
07-000-TOC	DRIVE TRAIN SYSTEM	07-000-TOC
08-000-TOC	BRAKE SYSTEM	08-000-TOC
09-000-TOC	HYDRAULIC SYSTEM	09-000-TOC
10-000-TOC	ELECTRICAL SYSTEM	10-000-TOC
11-000-TOC	CAB	11-000-TOC
12-000-TOC	AIR CONDITIONING AND HEATING SYSTEM	12-000-TOC
13-000-TOC	CHASSIS	13-000-TOC
14-000-TOC	DECALS	14-000-TOC
15-000-TOC	WHEELS	15-000-TOC
16-000-TOC	FEEDING SYSTEM	16-000-TOC
17-000-TOC	THRESHING SYSTEM	17-000-TOC
18-000-TOC	CLEANING SYSTEM	18-000-TOC
19-000-TOC	GRAIN BIN AND ELEVATOR SYSTEM	19-000-TOC
20-000-TOC	DISCHARGE SYSTEM	20-000-TOC
21-000-TOC	ATTACHMENTS	21-000-TOC
22-000-TOC	ACCESSORIES	22-000-TOC

Page Number	Page Title	Page Reference
01-0001	ENGINE ASSEMBLIES	1MDL1724817
01-0002	CYLINDER BLOCK	1MDL2302337
01-0003	TIMING GEARS AND HOUSING	1MDL2302338
01-0004	FLYWHEEL AND HOUSING	1MDL2302339
01-0005	CRANKSHAFT AND PISTONS - UP TO ENGINE SERIAL NUMBER B69999	1MDL2302340
01-0006	CRANKSHAFT AND PISTONS - STARTING FROM ENGINE SERIAL NUMBER C50000/JLD291001	1MDL2302341
01-0007	CAMSHAFT AND VALVE MECHANISM	1MDL2302342
01-0008	CYLINDER HEAD	1MDL2302343
01-0009	VALVE ROCKER COVER - UP TO ENGINE SERIAL NUMBER B65418	1MDL2302344
01-0010	VALVE ROCKER COVER - STARTING FROM ENGINE SERIAL NUMBER B65367	1MDL2302345
01-0011	INTAKE MANIFOLD	1MDL2302347
01-0012	TURBOCHARGER AND EXHAUST MANIFOLD	1MDL2302348
01-0013	OIL PUMP AND SUMP - UP TO ENGINE SERIAL NUMBER A77999	1MDL2328004
01-0014	OIL PUMP AND SUMP - STARTING FROM ENGINE SERIAL NUMBER B50000	1MDL2328005
01-0015	OIL COOLER AND FILTER	1MDL1725562
01-0016	CLOSED CRANKCASE VENTILATION (CCV) - UP TO ENGINE SERIAL NUMBER D51660	1MDL2302349
01-0017	CLOSED CRANKCASE VENTILATION (CCV) - STARTING FROM ENGINE SERIAL NUMBER D51661	1MDL2302350
01-0018	COOLANT PUMP AND THERMOSTAT	1MDL2302351
01-0019	FUEL INJECTION SYSTEM	1MDL2302352
01-0020	FUEL FILTERS - UP TO ENGINE SERIAL NUMBER A77999	1MDL2302353
01-0021	FUEL FILTERS - ENGINE SERIAL NUMBER RANGE B50000-C71172	1MDL2302354
01-0022	FUEL FILTERS - STARTING FROM ENGINE SERIAL NUMBER C71113/JLD291001	1MDL2302355
01-0023	ELECTRONIC ENGINE MANAGEMENT	1MDL2302356
01-0024	ALTERNATOR	1MDL1725939
01-0025	STARTER MOTOR	1MDL2302357
01-0026	FAN DRIVE	1MDL2302358
01-0027	EXHAUST AFTERTREATMENT - ENGINE TYPE AWF	1MDL2302359
01-0028	ENGINE OVERHAUL PARTS	1MDL2302361
01-0029	SPECIAL OVERHAUL PARTS	1MDL1725948

<https://www.ebooklibonline.com>

Hello dear friend!

Thank you very much for reading.

Enter the link into your browser.

The full manual is available for immediate download.

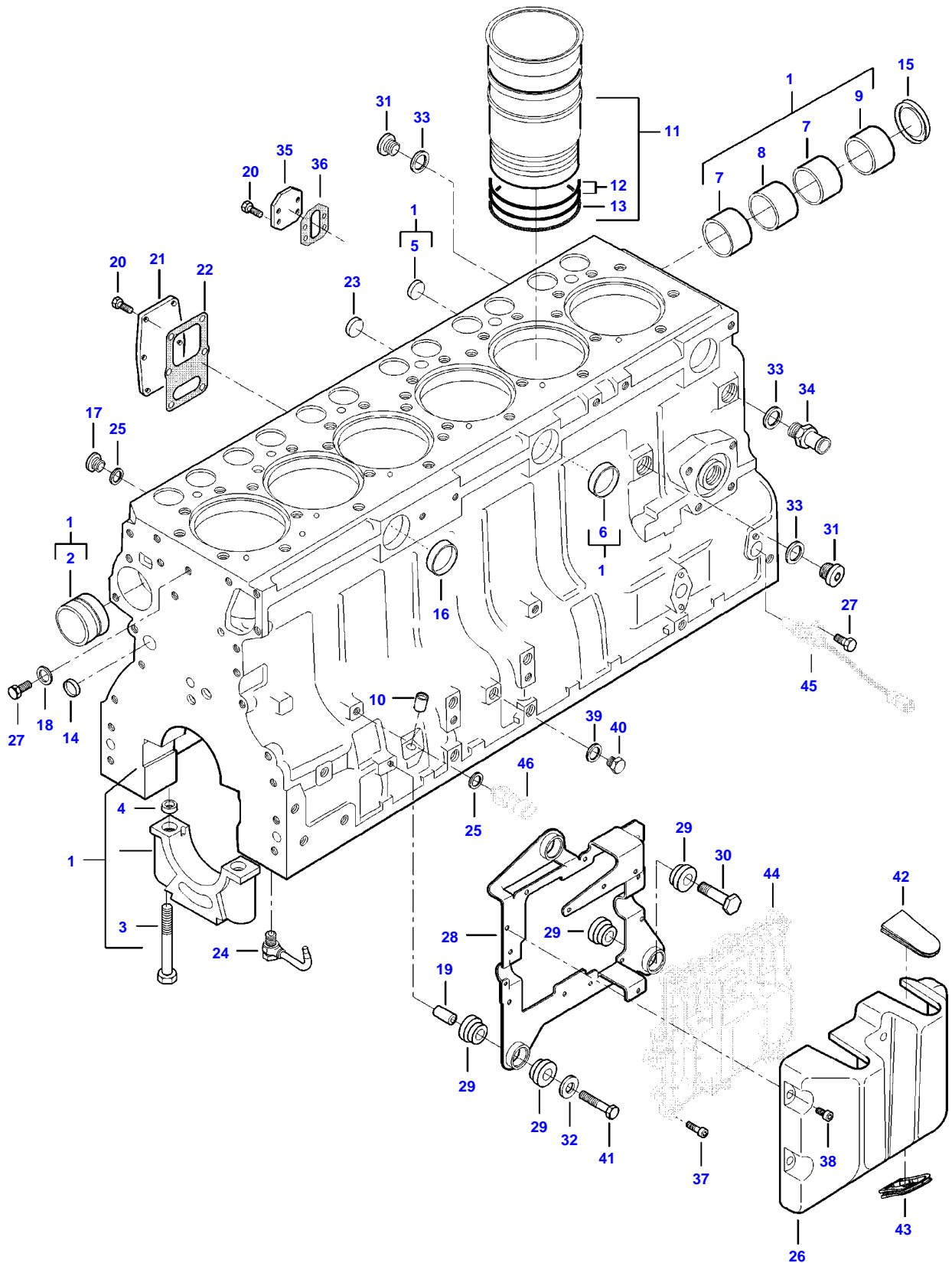
<https://www.ebooklibonline.com>

ENGINE ASSEMBLIES

Item	Part Number	Qty	Description Comments	Technical Specification
1	V835077149	1	ENGINE	74 AWF
2	V865091801V	1	LONG BLOCK ENGINE	74 AWF
3	V865091610X	1	SHORT BLOCK ENGINE	74 AWF
4	V837079921	1	LABEL ENGINE TYPE PLATE	

5275C PL-I COMBINE (STAGE 4 / TIER 4F & TIER 2) (ZN205540X03020001-999)
AP1E2620

AP1E2620



CYLINDER BLOCK

Item	Part Number	Qty	Description Comments
1	V837084169	1	CYLINDER BLOCK
2	V836866069	1	CAMSHAFT BEARING BUSH (1)
3	V835329030	14	HEX CAP SCREW (1)
4	V836214478	24	GUIDE SLEEVE (1)
5	V640016018	1	CUP PLUG (1)
6	V640016040	1	CUP PLUG (1)
7	V836852460	2	CAMSHAFT BEARING BUSH (1)
8	V837086315	1	CAMSHAFT BEARING BUSH (1)
9	V836852461	1	CAMSHAFT BEARING BUSH (1)
10	V640016012	1	CUP PLUG
11	V836673191	6	LINER
12	V836647502	12	CYLINDER LINER O-RING (11) [B]
13	V836647503	6	CYLINDER LINER O-RING (11) [B]
14	V640016016	4	CUP PLUG
15	V836852744	1	PLUG
16	V640016040	2	CUP PLUG
17	V640325110	6	SCREW PLUG
18	V836015967	1	SEALING WASHER [B]
19	V836855626	2	SPACER
20	V528801382	10	HEX CAP SCREW
21	V836846444	1	COVER
22	V836322852	1	GASKET [B]
23	V640016018	1	CUP PLUG
24	V837074224	6	PISTON COOLING JET
25	V615871016	7	SEALING WASHER [B]
26	V837084080	1	COVER
27	V528801362	2	HEX CAP SCREW
28	V837084081	1	ECU BRACKET
29	V837084129	6	DAMPER
30	V837069056	1	HEX CAP SCREW
31	V640325018	2	PLUG
32	V501950842	2	WASHER
33	V615881822	3	SEALING WASHER [B]
34	V836119837	1	HOSE COUPLER
35	V836866957	1	COVER
36	V836866958	1	GASKET [B]
37	V581804222	8	HEX SOCKET SCREW
38	V581804182	6	HEX SOCKET SCREW
39	V615881216	1	SEALING WASHER [B]
40	V640045112	1	PLUG
41	V529801432	2	HEX CAP SCREW
42	V837084136	2	SHIELD
43	V837084661	1	SHIELD
44		1	SEE PAGE 01-0023
45		1	SEE PAGE 01-0023

Fendt

5275C PL-I COMBINE (STAGE 4 / TIER 4F & TIER 2) (ZN205540X03020001-999)

6246525

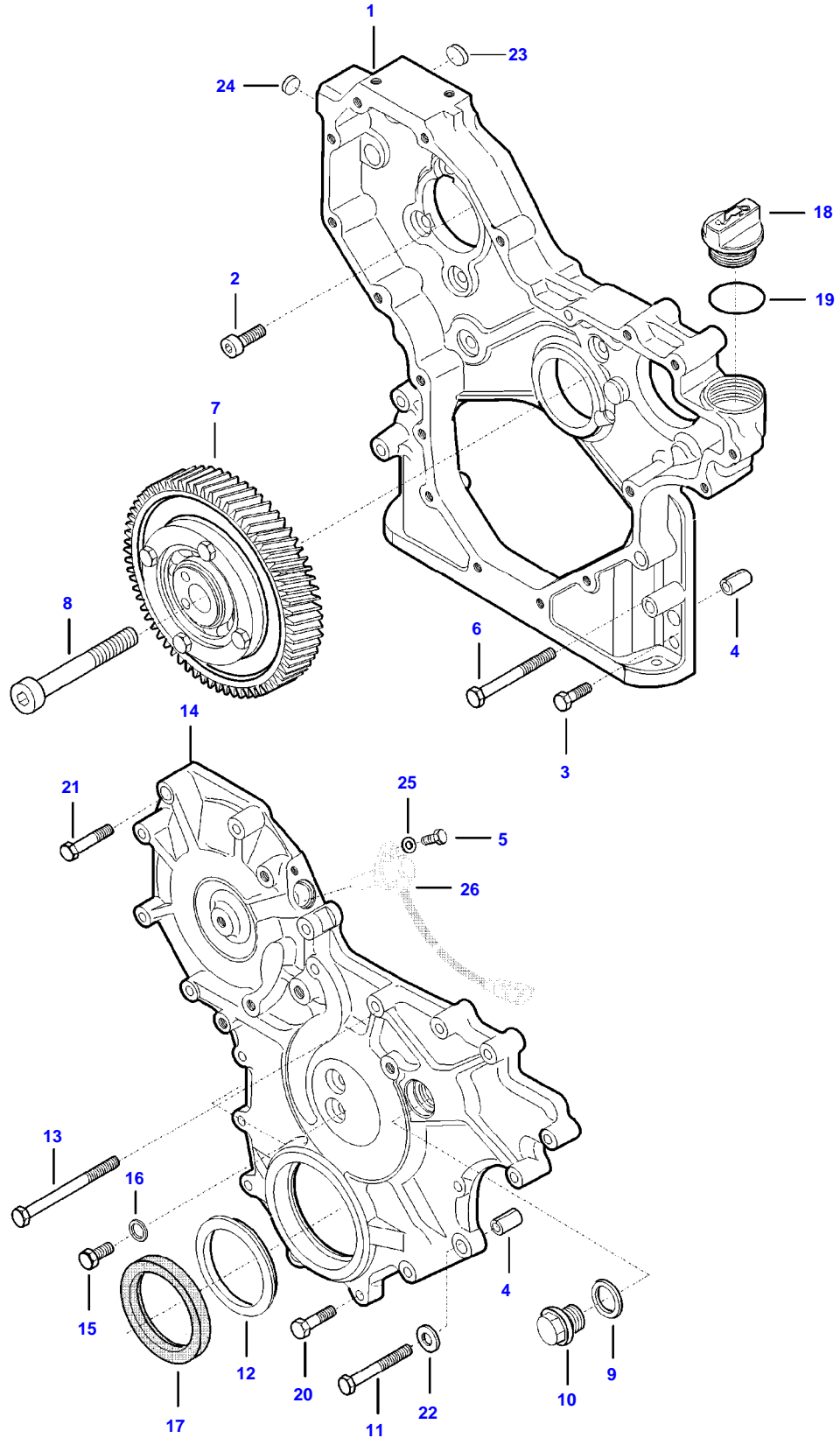
CYLINDER BLOCK

Page01-0002

Item	Part Number	Qty	Description Comments
46		1	SEE PAGE 01-0023 [B] INCLUDED IN COMPLETE ENGINE GASKET KIT 2

5275C PL-I COMBINE (STAGE 4 / TIER 4F & TIER 2) (ZN205540X03020001-999)
AP2D1025

AP2D1025

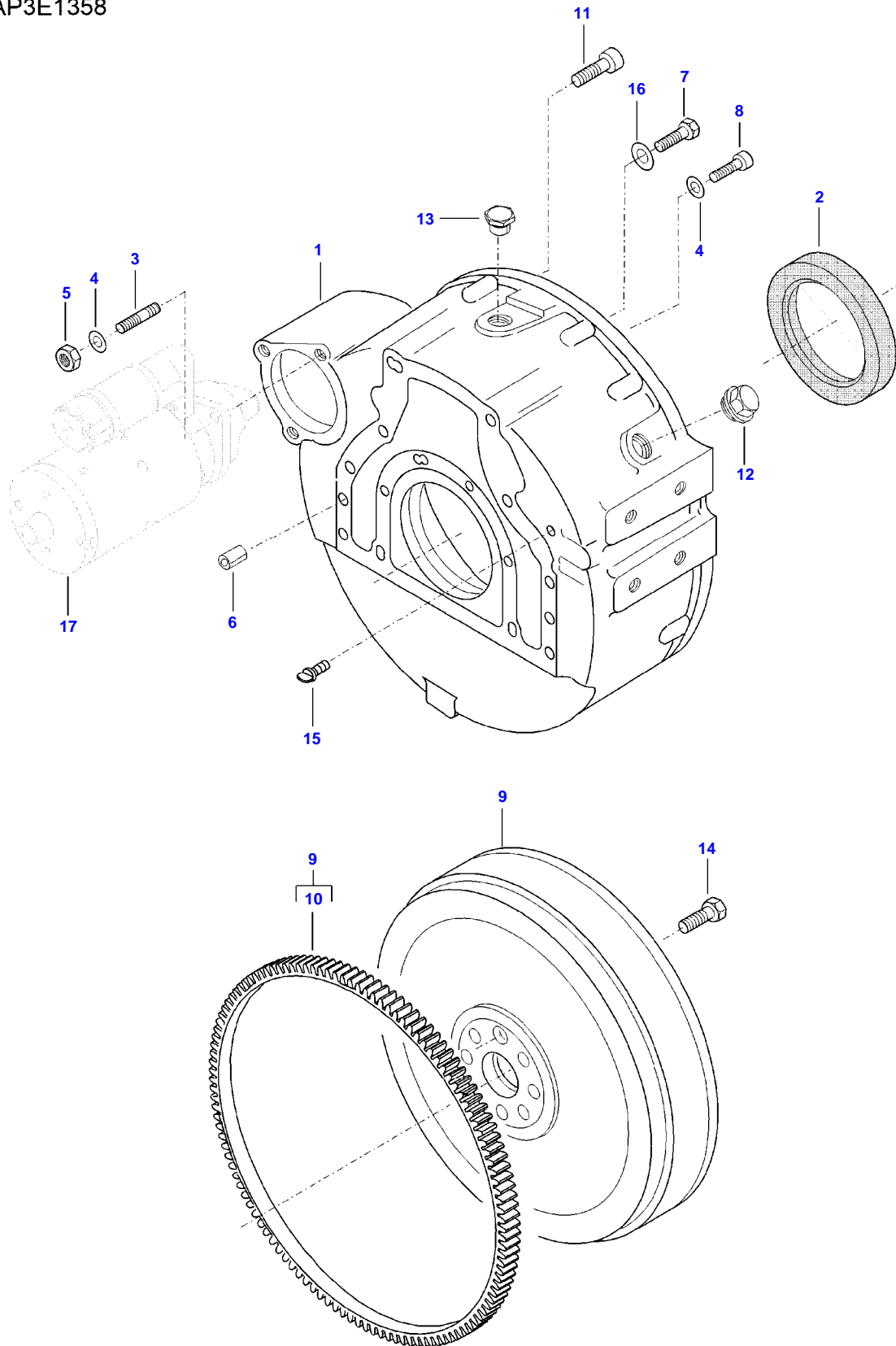


TIMING GEARS AND HOUSING

Item	Part Number	Qty	Description Comments
1	V837074705	1	TIMING GEAR CASE
2	V581804602	10	HEX SOCKET SCREW
3	V528801402	2	HEX CAP SCREW
4	V598359850	3	PIN
5	V528801062	1	HEX CAP SCREW
6	V529801472	3	HEX CAP SCREW
7	V837073583	1	IDLER GEAR
8	V581705910	1	HEX SOCKET SCREW
9	V615882227	1	SEALING WASHER [B]
10	V640045022	1	PLUG
11	V529801522	1	HEX CAP SCREW
12	V836855636	1	SHIELD
13	V529801542	1	HEX CAP SCREW
14	V837074707	1	GEAR HOUSING FRONT COVER
15	V528801382	2	HEX CAP SCREW
16	V615870814	2	SEALING WASHER [B]
17	V836840883	1	CRANKSHAFT SEAL [B]
18	V837081106	1	OIL FILLER CAP
19	V614603540	1	O-RING [B]
20	V528801412	7	HEX CAP SCREW
21	V529801442	10	HEX CAP SCREW
22	V836120989	1	WASHER
23	V640016020	1	CUP PLUG
24	V640016016	1	CUP PLUG
25	V500150642	1	WASHER
26		1	SEE PAGE 01-0023 [B] INCLUDED IN COMPLETE ENGINE GASKET KIT 2

5275C PL-I COMBINE (STAGE 4 / TIER 4F & TIER 2) (ZN205540X03020001-999)
AP3E1358

AP3E1358



FLYWHEEL AND HOUSING

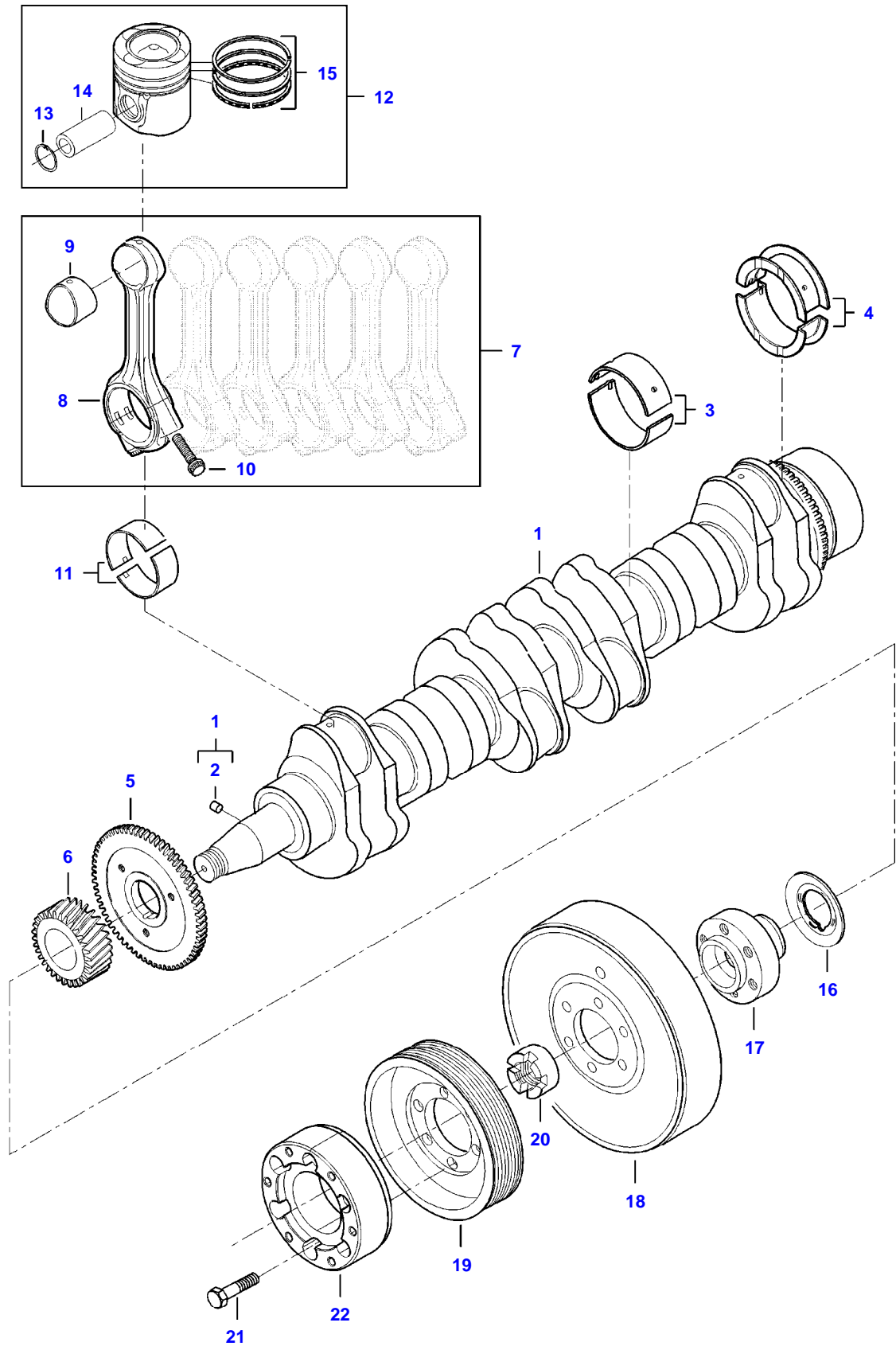
Item	Part Number	Qty	Description Comments
1	V836647440	1	FLYWHEEL HOUSING
2	V837091172	1	CRANKSHAFT SEAL [B]
3	V546801810	3	STUD BOLT
4	V500951002	6	SPRING WASHER
5	V504601002	3	NUT
6	V598359850	2	PIN
7	V528702220	6	HEX CAP SCREW
8	V581705030	6	HEX SOCKET SCREW
9	V836655066	1	FLYWHEEL
10	V836117970	1	STARTER RING (9)
11	V581705440	2	HEX SOCKET SCREW
12	V640045126	1	PLUG
13	V836019756	1	PLUG
14	V528702230	8	HEX CAP SCREW
15	V836859311	1	PLUG
16	V500951202	6	SPRING WASHER
17		1	

SEE PAGE 01-0025

[B] INCLUDED IN COMPLETE ENGINE GASKET KIT 2

5275C PL-I COMBINE (STAGE 4 / TIER 4F & TIER 2) (ZN205540X03020001-999)
AP4F1882

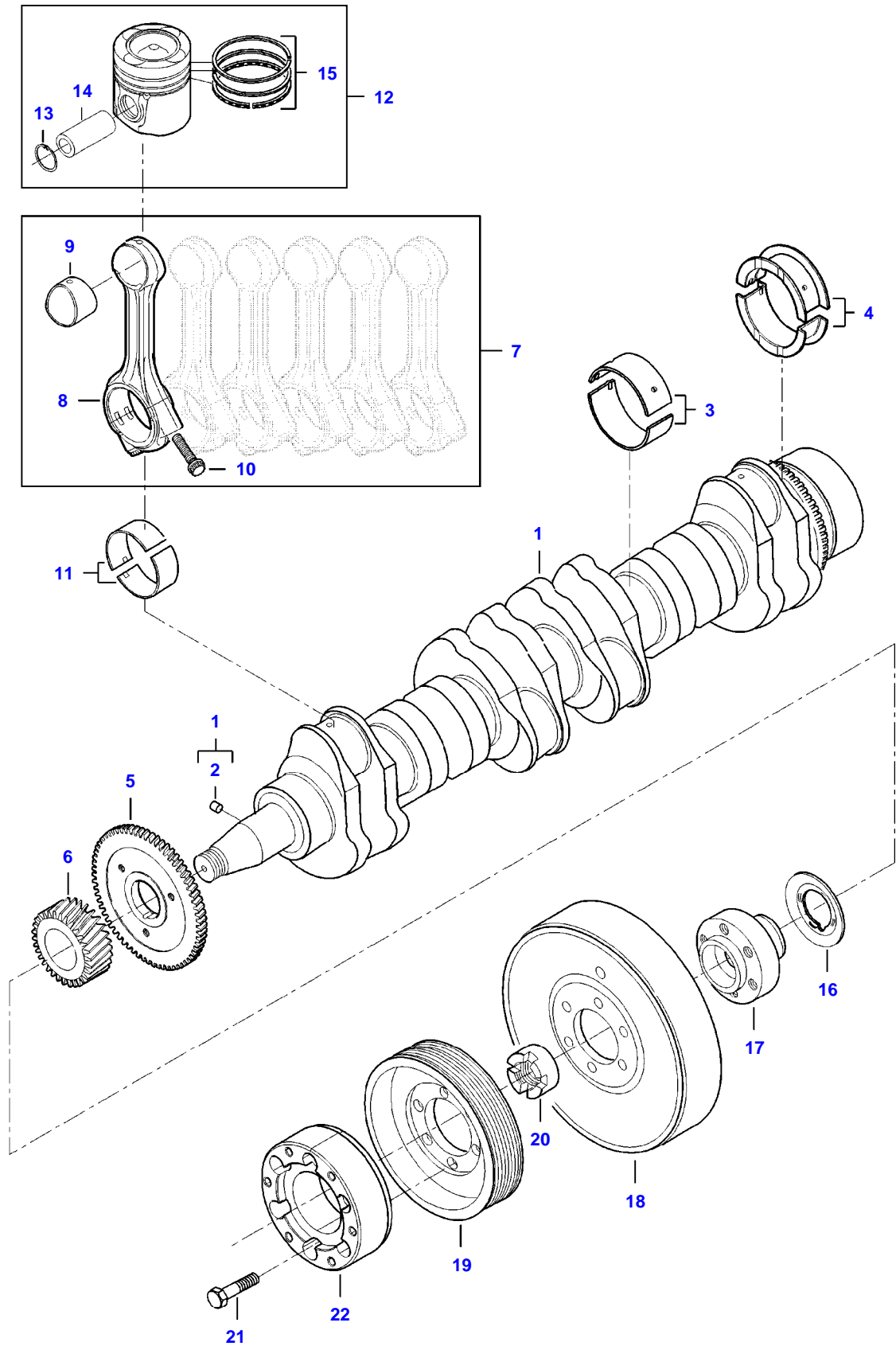
AP4F1882



Item	Part Number	Qty	Description Comments	Technical Specification
1	V837073985	1	CRANKSHAFT	
2	V836867857	1	KEY (1)	
3	V836840944	6	MAIN BEARING	STD
4	V836879152	1	MAIN BEARING	STD
5	V836674069	1	GEAR,CRANKSHAFT	
6	V837073560	1	GEAR,CRANKSHAFT	
7	V836840928	1	CONNECTING ROD KIT	
8		6	NOT AVAILABLE AS SINGLE PART (7)	
9	V836110646	6	BEARING BUSH (7),(8)	STD
10	V836864141	12	CONNECTING ROD BOLT (7),(8)	
11	V836179781	6	CONROD BEARING	STD
12	V837074082	6	PISTON	
13		12	NOT AVAILABLE AS SINGLE PART (12)	
14		6	NOT AVAILABLE AS SINGLE PART (12)	
15	V837079460	6	PISTON RING KIT (12)	
16	V836855637	1	RING	
17	V837073679	1	CRANKSHAFT HUB	
18	V836884615	1	CRANKSHAFT VIBRATION DAMPENER	
19	V836855690	1	CRANKSHAFT PULLEY	
20	V836847641	1	CRANKSHAFT NUT	
21	V581705490	6	HEX SOCKET SCREW	
22	V837070345	1	SPACER	

5275C PL-I COMBINE (STAGE 4 / TIER 4F & TIER 2) (ZN205540X03020001-999)
AP4F1882

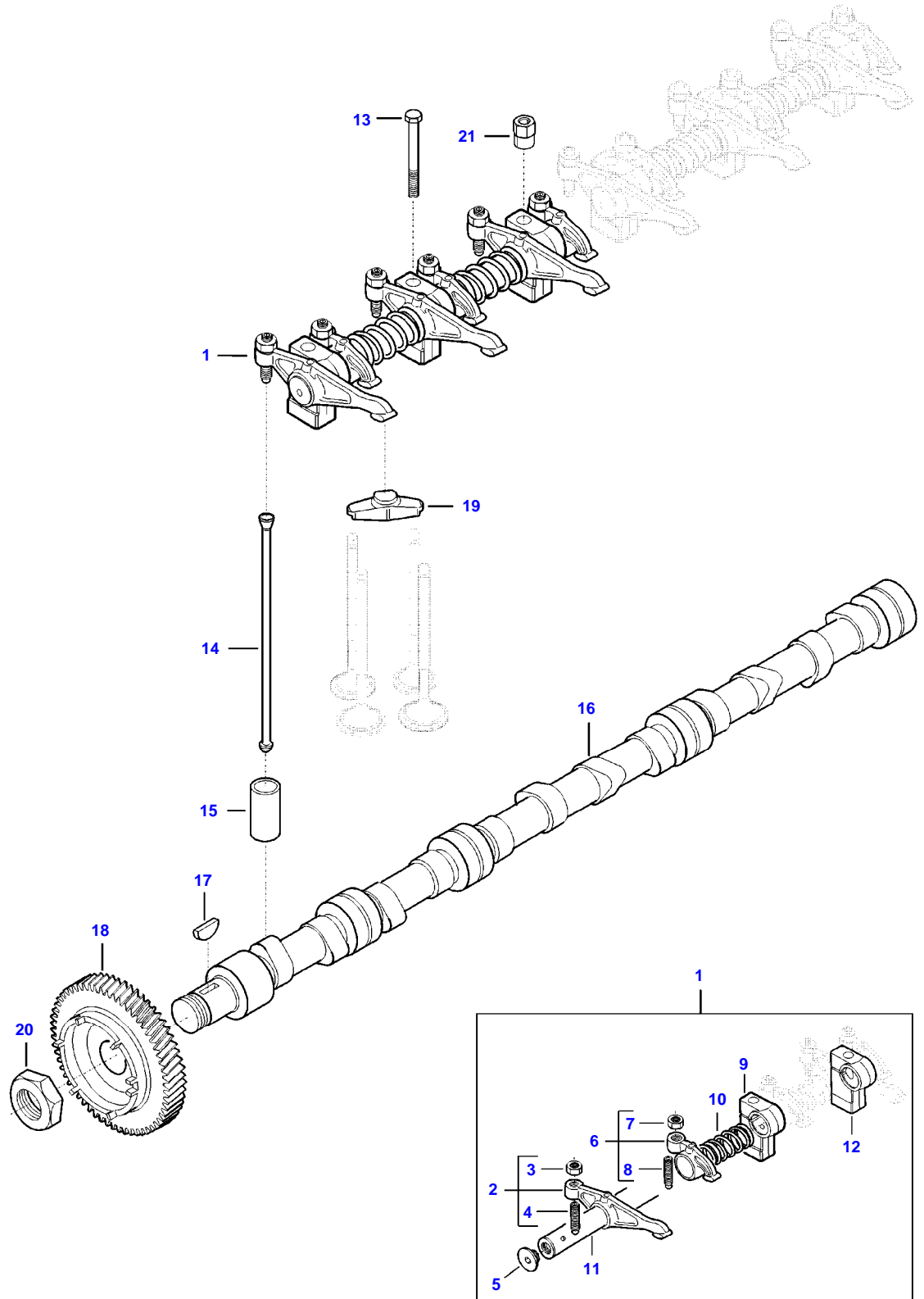
AP4F1882



Item	Part Number	Qty	Description Comments	Technical Specification
1	V837073985	1	CRANKSHAFT	
2	V836867857	1	KEY (1)	
3	V836840944	6	MAIN BEARING	STD
4	V836879152	1	MAIN BEARING	STD
5	V836674069	1	GEAR,CRANKSHAFT	
6	V837073560	1	GEAR,CRANKSHAFT	
7	V836840928	1	CONNECTING ROD KIT	
8		6	NOT AVAILABLE AS SINGLE PART (7)	
9	V836110646	6	BEARING BUSH (7),(8)	STD
10	V836864141	12	CONNECTING ROD BOLT (7),(8)	
11	V836179781	6	CONROD BEARING	STD
12	V837086209	6	PISTON	
13		12	NOT AVAILABLE AS SINGLE PART (12)	
14		6	NOT AVAILABLE AS SINGLE PART (12)	
15	V837079460	6	PISTON RING KIT (12)	
16	ACW3520650	1	RING	
17	V837073679	1	CRANKSHAFT HUB	
18	V836884615	1	CRANKSHAFT VIBRATION DAMPENER	
19	V836855690	1	CRANKSHAFT PULLEY	
20	V836847641	1	CRANKSHAFT NUT	
21	V581705490	6	HEX SOCKET SCREW	
22	V837070345	1	SPACER	

5275C PL-I COMBINE (STAGE 4 / TIER 4F & TIER 2) (ZN205540X03020001-999)
AP5E1940

AP5E1940

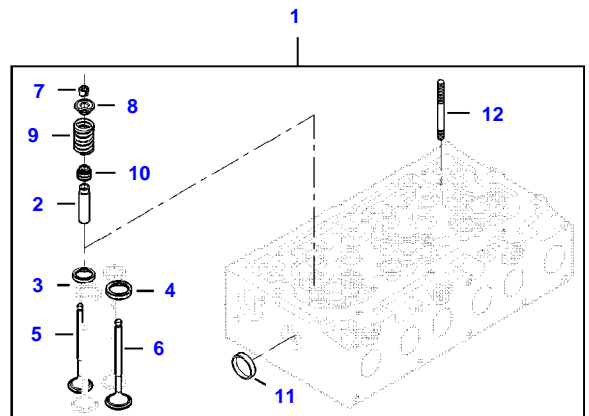
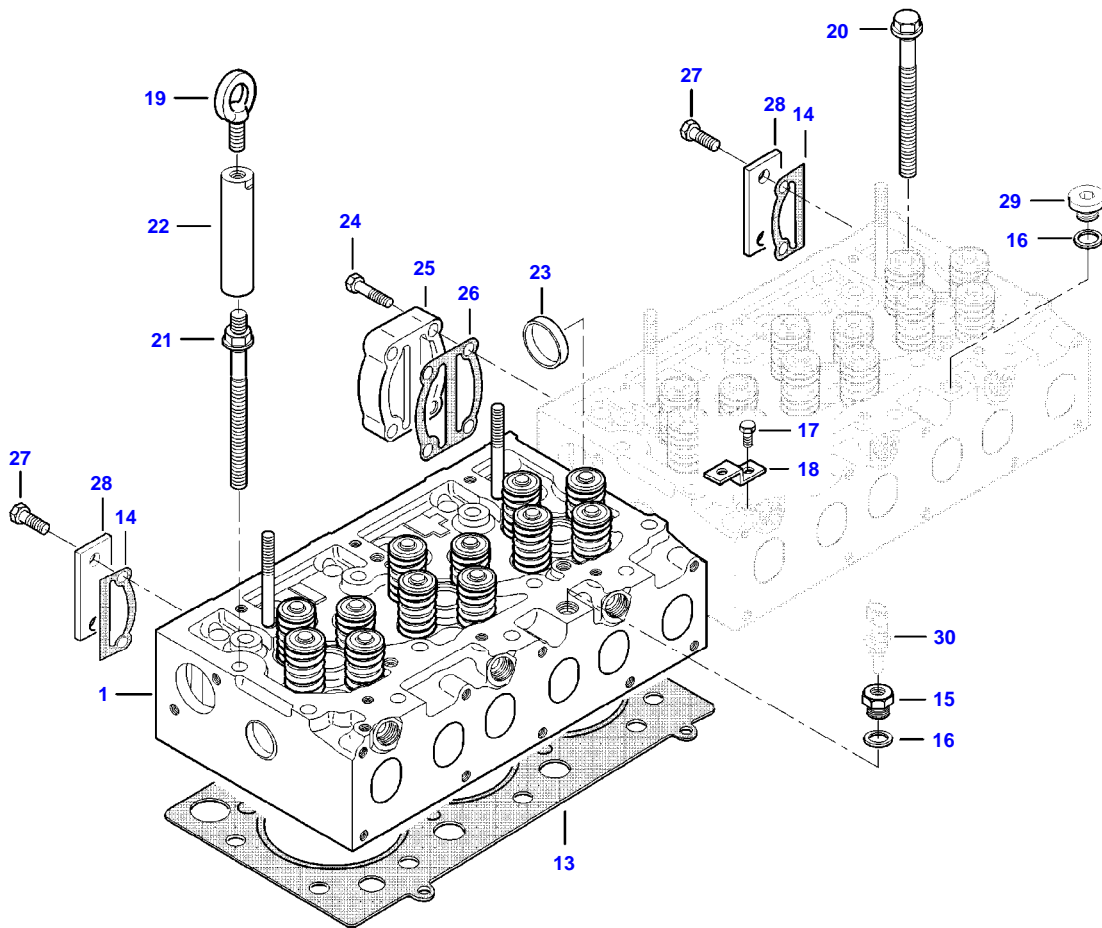


CAMSHAFT AND VALVE MECHANISM

Item	Part Number	Qty	Description Comments
1	V837069016	2	ROCKER SHAFT ASM
2	V837069011	6	ROCKER ARM (1)
3	V512861000	6	NUT (1),(2)
4	V837069023	6	VALVE ROCKER ADJUSTMENT SCREW (1),(2)
5	V837069020	4	PLUG (1)
6	V837069013	6	ROCKER ARM (1)
7	V512861000	6	NUT (1),(6)
8	V837069023	6	VALVE ROCKER ADJUSTMENT SCREW (1),(6)
9	V837069018	2	ROCKER SHAFT BRACKET (1)
10	V837069019	4	SPRING (1)
11	V837069015	2	SHAFT (1)
12	V837069017	4	ROCKER SHAFT BRACKET (1)
13	V529801912	2	HEX CAP SCREW
14	V837084417	12	PUSH ROD
15	V836014264	12	TAPPET
16	V837069101	1	CAMSHAFT
17	V603305760	1	WOODRUFF KEY
18	V837073562	1	GEAR,CAMSHAFT
19	V837073089	12	VALVE BRIDGE
20	V837069085	1	NUT
21	V836655406	4	SLEEVE NUT

5275C PL-I COMBINE (STAGE 4 / TIER 4F & TIER 2) (ZN205540X03020001-999)
AP6F2123

AP6F2123



CYLINDER HEAD

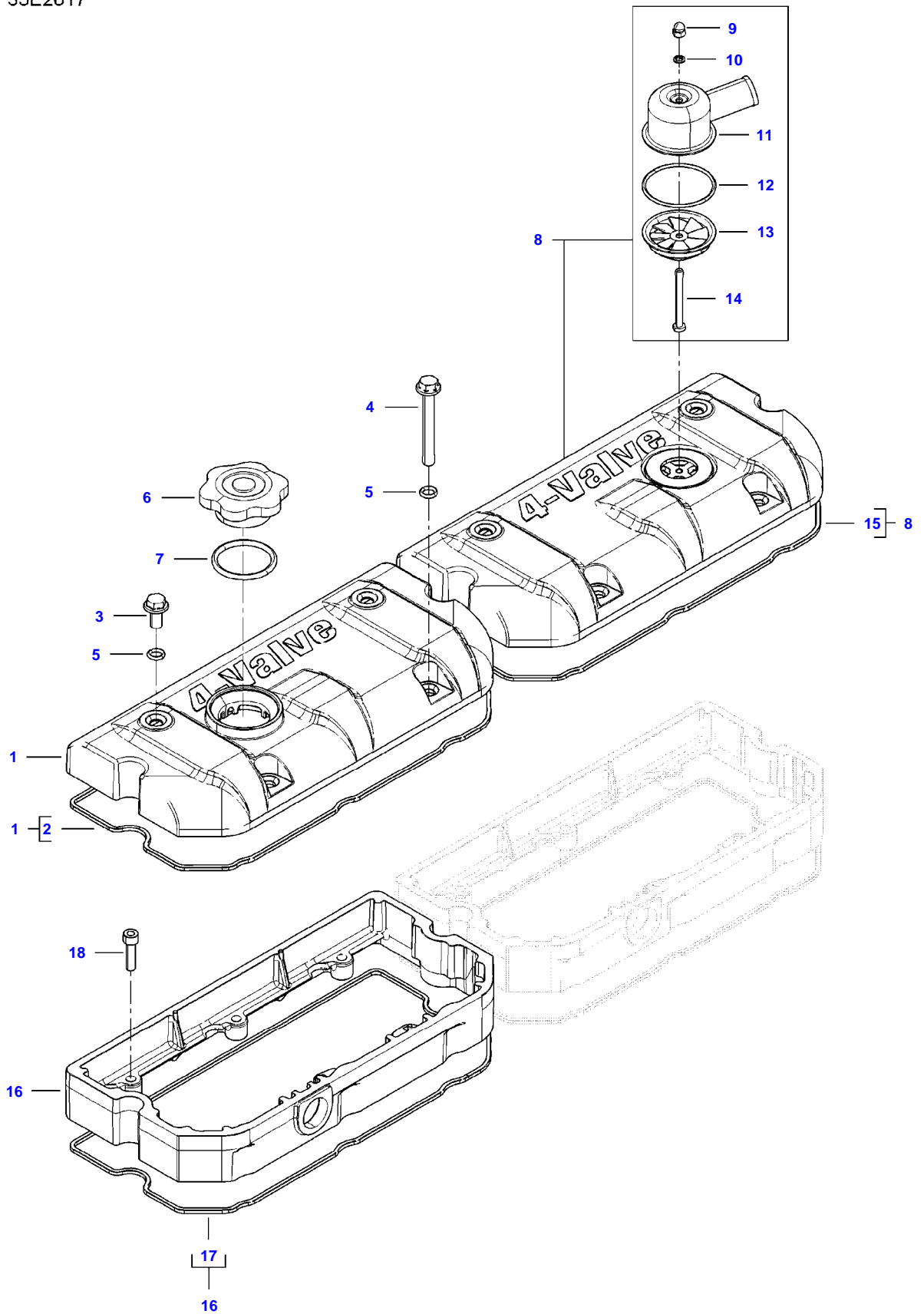
Item	Part Number	Qty	Description Comments	Technical Specification
1	V837073233	2	CYLINDER HEAD	
2	V837073174	24	VALVE GUIDE (1)	
3	V837064907	12	VALVE SEAT (1)	STD 4V EXHAUST
4	V837064908	12	VALVE SEAT (1)	STD 4V INTAKE
5	V837069002	12	EXHAUST VALVE (1)	
6	V837069003	12	INTAKE VALVE (1)	
7	V837064910	48	COTTER (1)	
8	V837069004	24	SPRING PLATE (1)	
9	V837069005	24	VALVE SPRING (1)	
10	V837073165	24	VALVE STEM GASKET (1)	
11	V836647942	8	CUP PLUG (1)	
12	V546901900	4	STUD BOLT (1)	
13	V837084523	2	CYLINDER HEAD GASKET [A]	
14	V836867753	2	GASKET [A]	
15	V837086509	1	THREADED NIPPLE	
16	V615881822	2	SEALING WASHER [A]	
17	V528801360	1	HEX CAP SCREW	
18	V836747849	1	SUPPORT	
19	V836640752	2	LIFT EYE	
20	V837069025	32	CYLINDER HEAD BOLT	
21	V837073571	2	CYLINDER HEAD BOLT	
22	V836867567	2	LIFTING EYE EXTENSION	
23	V640016045	1	CUP PLUG	
24	V528801820	4	HEX CAP SCREW	
25	V836855348	1	CONNECTION FLANGE	
26	V836867752	1	GASKET [A]	
27	V528801800	4	HEX CAP SCREW	
28	V836855350	2	BLOCK OFF PLATE	
29	V640325018	1	PLUG	
30		1		

SEE PAGE 01-0023

[A] INCLUDED IN CYLINDER HEAD GASKET KIT 1

5275C PL-I COMBINE (STAGE 4 / TIER 4F & TIER 2) (ZN205540X03020001-999)
AP35E2617

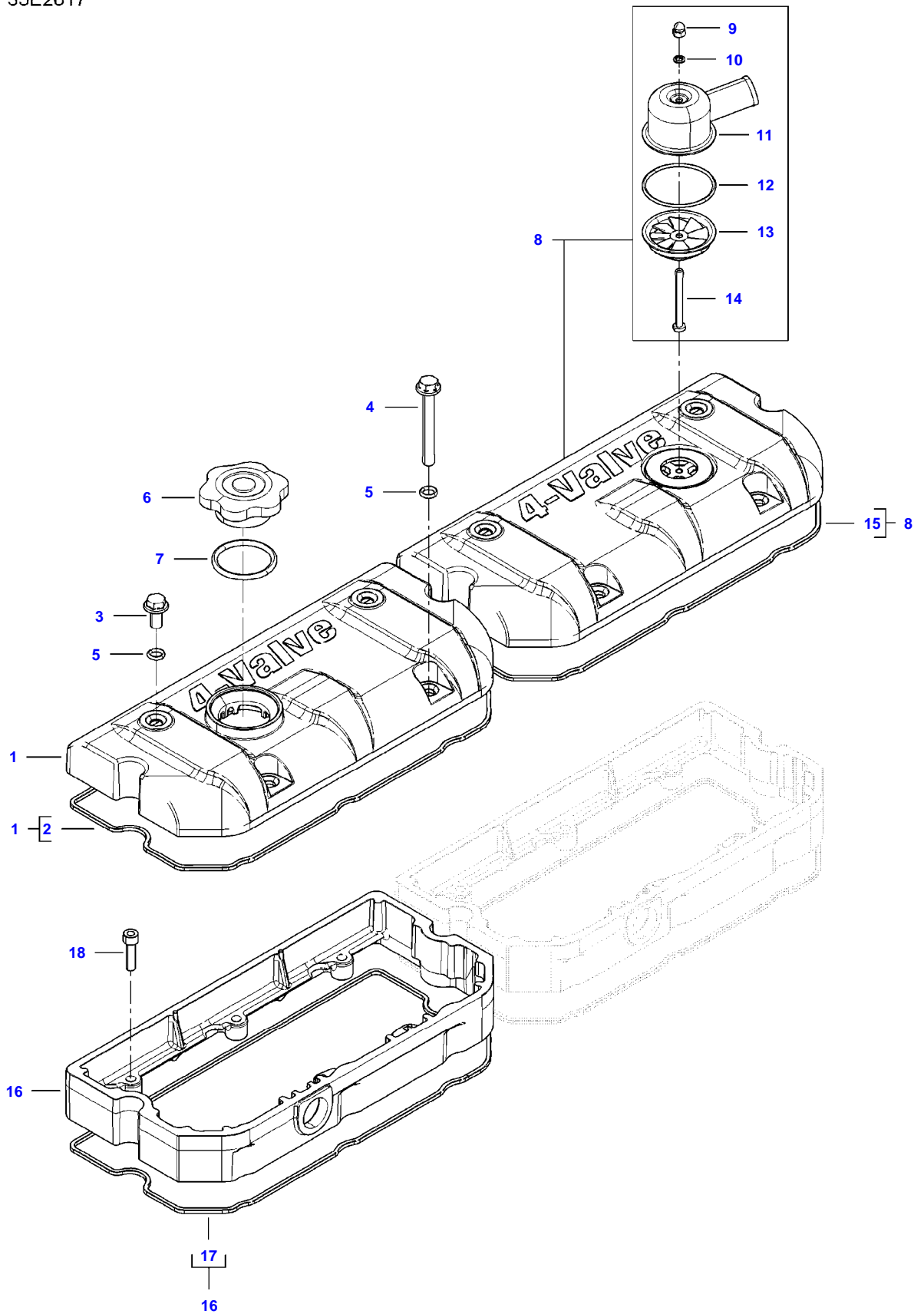
AP35E2617



Item	Part Number	Qty	Description Comments
1	V837084222	1	VALVE ROCKER COVER
2	V837067881	1	VALVE ROCKER COVER GASKET (1) [A]
3	V540801780	4	HEXAGON FLANGE BOLT
4	V540801910	4	HEXAGON FLANGE BOLT
5	V614901030	8	O-RING [A]
6	V836659968	1	OIL FILLER CAP
7	V614704850	1	O-RING [A]
8	V837084221	1	VALVE ROCKER COVER
9	V519600602	1	NUT (8)
10	V836667508	1	SEALING WASHER (8)
11	V837070442	1	BREATHER CAP (8)
12	V836667459	1	GASKET (8)
13	V837070443	1	BREATHER (8)
14	V528801172	1	HEX CAP SCREW (8)
15	V837067881	1	VALVE ROCKER COVER GASKET (8) [A]
16	V837084220	2	VALVE ROCKER COVER FRAME
17	V837067881	2	VALVE ROCKER COVER GASKET (16) [A]
18	V581804630	6	HEX SOCKET SCREW [A] INCLUDED IN CYLINDER HEAD GASKET KIT 1

5275C PL-I COMBINE (STAGE 4 / TIER 4F & TIER 2) (ZN205540X03020001-999)
AP35E2617

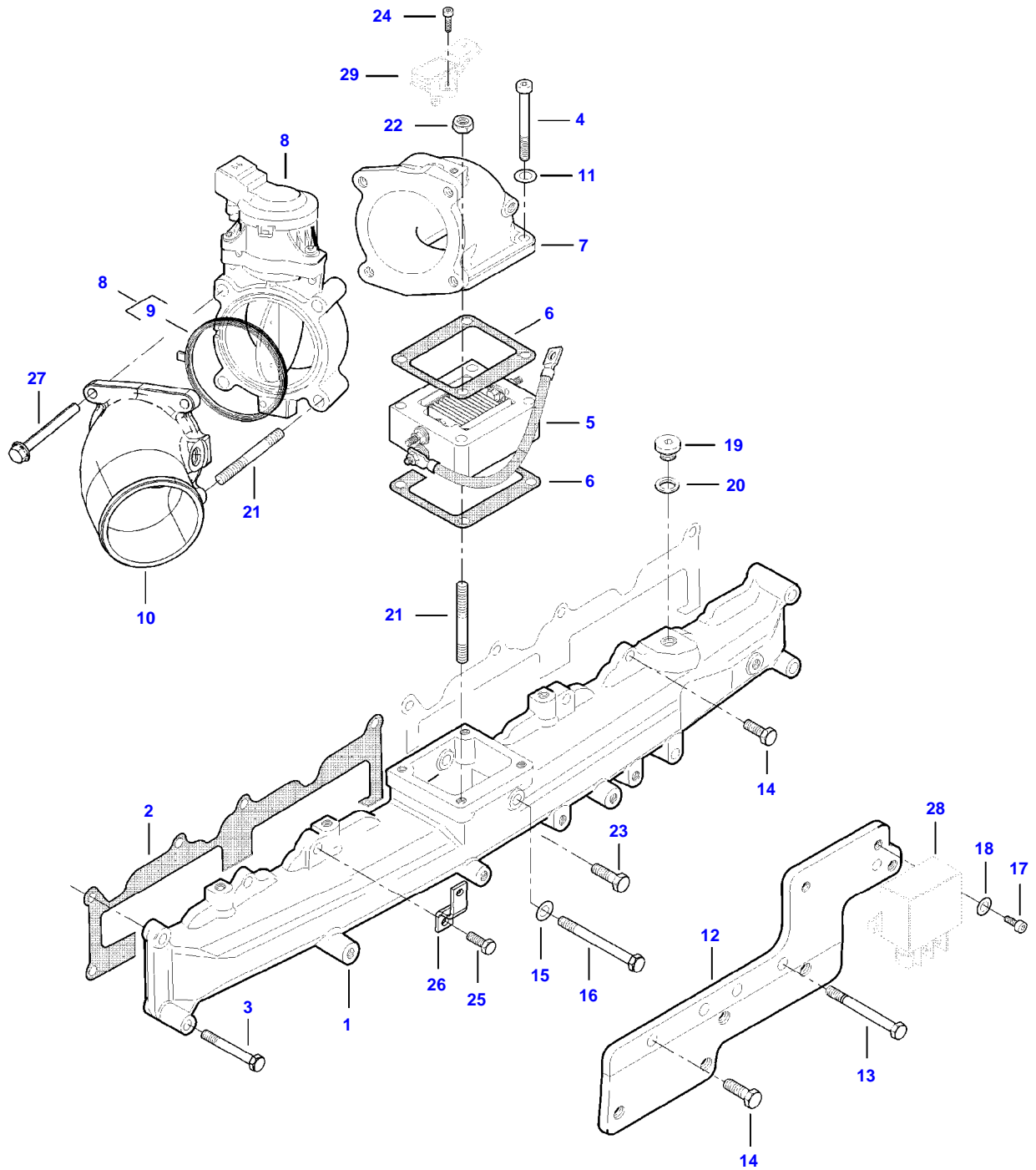
AP35E2617



Item	Part Number	Qty	Description Comments
1	V837086527	1	VALVE ROCKER COVER
2	V837067881	1	VALVE ROCKER COVER GASKET (1) [A]
3	V540801780	4	HEXAGON FLANGE BOLT
4	V540801910	4	HEXAGON FLANGE BOLT
5	V614901030	8	O-RING [A]
6	V836659968	1	OIL FILLER CAP
7	V614704850	1	O-RING [A]
8	V837086137	1	VALVE ROCKER COVER
9	V519600602	1	NUT (8)
10	V836684766	1	SEALING WASHER (8)
11	V837070442	1	BREATHER CAP (8)
12	V614605930	1	O-RING (8)
13	V837070443	1	BREATHER (8)
14	V528801172	1	HEX CAP SCREW (8)
15	V837067881	1	VALVE ROCKER COVER GASKET (8) [A]
16	V837084220	2	VALVE ROCKER COVER FRAME
17	V837067881	2	VALVE ROCKER COVER GASKET (16) [A]
18	V581804630	6	HEX SOCKET SCREW [A] INCLUDED IN CYLINDER HEAD GASKET KIT 1

5275C PL-I COMBINE (STAGE 4 / TIER 4F & TIER 2) (ZN205540X03020001-999)
AP7E2616

AP7E2616





Suggest:

For more complete manuals. Please go to the home page.

<https://www.ebooklibonline.com>

If the above button click is invalid. Please download this document first, and then click the above link to download the complete manual.

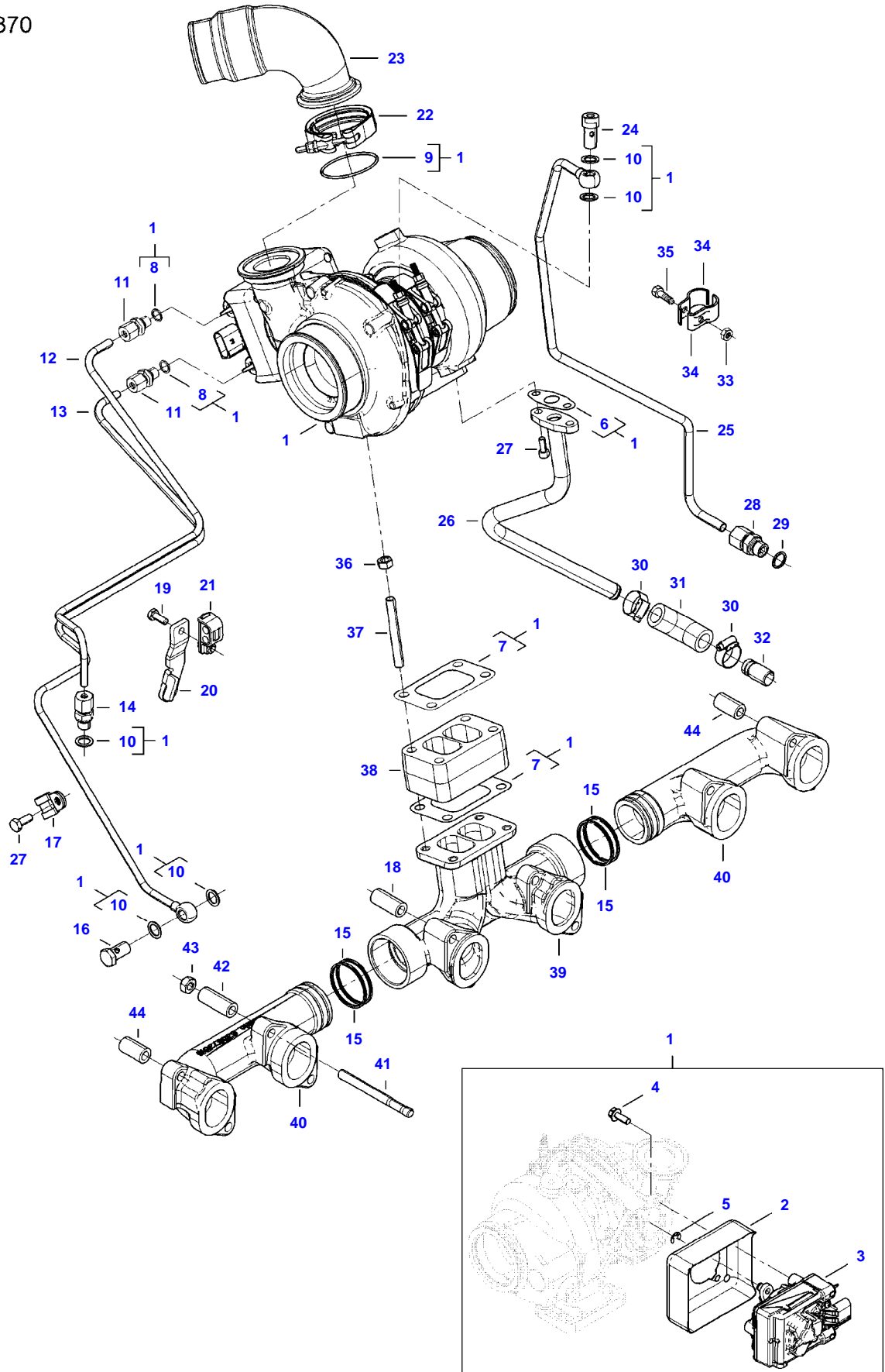
Thank you so much for reading

INTAKE MANIFOLD

Item	Part Number	Qty	Description Comments
1	V837070219	1	INTAKE MANIFOLD
2	V837069009	2	INTAKE MANIFOLD GASKET [A]
3	V529801470	1	HEX CAP SCREW
4	V581804702	3	HEX SOCKET SCREW
5	V837067295	1	INTAKE AIR PREHEATER
6	V837067345	2	GASKET [A]
7	V837084350	1	AIR INTAKE PIPE
8	V837084452	1	THROTTLE FLAP
9	V837079849	2	GASKET (8) [A]
10	V837084407	1	AIR PIPE
11	V500150842	5	WASHER
12	V837084111	1	FUEL FILTER BRACKET
13	V529801530	2	HEX CAP SCREW
14	V528801402	5	HEX CAP SCREW
15	V836684767	1	SEALING WASHER [A]
16	V529801550	1	HEX CAP SCREW
17	V581804182	2	HEX SOCKET SCREW
18	V500050642	2	WASHER
19	V640325014	1	PLUG
20	V615881420	1	SEALING WASHER [A]
21	V546801492	2	STUD BOLT
22	V504800800	2	NUT
23	V528801410	6	HEX CAP SCREW
24	V528801062	1	HEX CAP SCREW
25	V528801422	1	HEX CAP SCREW
26	V836747849	1	SUPPORT
27	V540801490	3	HEXAGON FLANGE BOLT
28		1	SEE PAGE 01-0023
29		1	SEE PAGE 01-0023 [A] INCLUDED IN CYLINDER HEAD GASKET KIT 1

5275C PL-I COMBINE (STAGE 4 / TIER 4F & TIER 2) (ZN205540X03020001-999)
AP9E1370

AP9E1370



<https://www.ebooklibonline.com>

Hello dear friend!

Thank you very much for reading.

Enter the link into your browser.

The full manual is available for immediate download.

<https://www.ebooklibonline.com>