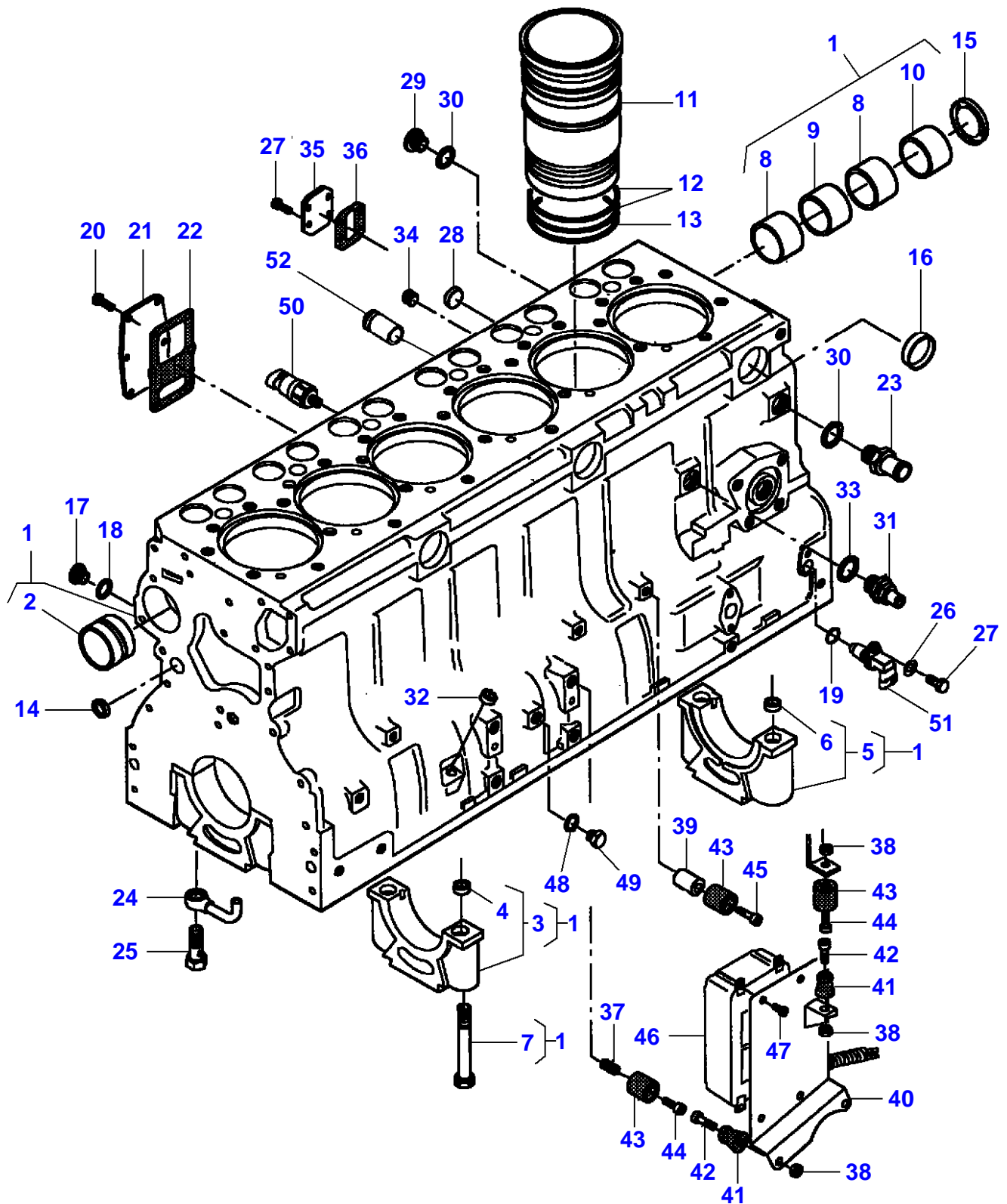


Page Number	Page Title	Page Reference
01-000-TOC	ENGINE, FUEL AND EXHAUST SYSTEM	01-000-TOC
02-000-TOC	DRIVE SYSTEM	02-000-TOC
03-000-TOC	AXLES	03-000-TOC
04-000-TOC	FRAME AND SUSPENSION	04-000-TOC
05-000-TOC	STEERING SYSTEM	05-000-TOC
06-000-TOC	DRIVE TRAIN SYSTEM	06-000-TOC
07-000-TOC	BRAKE SYSTEM	07-000-TOC
08-000-TOC	HYDRAULIC SYSTEM	08-000-TOC
09-000-TOC	ELECTRICAL SYSTEM	09-000-TOC
10-000-TOC	CAB	10-000-TOC
11-000-TOC	AIR CONDITIONING AND HEATING SYSTEM	11-000-TOC
12-000-TOC	CHASSIS	12-000-TOC
13-000-TOC	DECALS	13-000-TOC
14-000-TOC	WHEELS	14-000-TOC
15-000-TOC	FEEDING SYSTEM	15-000-TOC
16-000-TOC	THRESHING SYSTEM	16-000-TOC
17-000-TOC	CLEANING SYSTEM	17-000-TOC
18-000-TOC	GRAIN BIN AND ELEVATOR SYSTEM	18-000-TOC
19-000-TOC	DISCHARGE SYSTEM	19-000-TOC
20-000-TOC	ATTACHMENTS	20-000-TOC
21-000-TOC	ACCESSORIES	21-000-TOC
22-000-TOC	GENERAL INFORMATION	22-000-TOC

5270C COMBINE (552310001-999 / 552410001-999 AL)  
L-HB02-001-A

L-HB02-001-A



Item	Part Number	Qty	Description Comments	Technical Specification
1	V836866110	1	CYLINDER BLOCK COMPLETE ASSEMBLY	
2	V836866069	1	CAMSHAFT BEARING BUSH	
3	NS	6	NON-SERVICEABLE PART	
4	V836214478	12	GUIDE SLEEVE	
5	NS	1	NON-SERVICEABLE PART	
6	V836214478	2	GUIDE SLEEVE	
7	V529903180	14	HEX CAP SCREW	
8	V836852460	2	CAMSHAFT BEARING BUSH	
9	V836852459	1	CAMSHAFT BEARING BUSH	
10	V836852461	1	CAMSHAFT BEARING BUSH	
11	V836666990	6	LINER	
	V836647933	X	LINER THICKNESS 9,08 MM [A]	
	V836647934	X	LINER THICKNESS 9,13 MM [A]	
	V836647935	X	LINER THICKNESS 9,23 MM [A]	
12	V836647502	12	CYLINDER LINER O-RING	
13	V836647503	6	CYLINDER LINER O-RING	
14	V640016016	4	PLUG	
15	V836852744	1	PLUG	
16	V640016040	3	PLUG	
17	V640325110	3	PLUG	
18	V615871014	4	SEALING WASHER	
19	VKH7070	1	O-RING	15.3 X 2.4 90SH SMS1586
20	V528801380	6	HEX CAP SCREW	
21	V836846444	1	FLANGE	
22	V836322852	1	GASKET	
23	V836119837	1	HOSE COUPLER	
24	V836855093	6	OIL NOZZLE	
25	V836338601	6	PRESSURE VALVE	
26	V500050840	1	FLAT WASHER	
27	V528801362	5	HEX CAP SCREW	
28	V640016018	1	PLUG	
29	V640325018	1	PLUG	
30	V615881822	2	SEALING WASHER	
31	V836664377	1	COCK	
32	V640016012	1	PLUG	
33	V615881824	1	SEALING WASHER	
34	V640025010	1	PLUG	
35	V836866957	1	COVER	
36	V836866958	1	GASKET	
37	V836859153	1	THREADED BUSH	
38	V510600802	4	NUT	
39	V836136475	1	SPACER PIECE	
40	V836867134	1	ECU BRACKET	
41	V836666095	3	KNOB	
42	V581804630	3	HEX SOCKET SCREW	
43	V836666094	3	RUBBER BUSH	
44	V581804580	2	HEX SOCKET SCREW	
45	V581804640	1	HEX SOCKET SCREW	
46	V836869222	1	ENGINE CONTROL UNIT SEE PAGE 01-0036	
47	V572504172	4	SCREW	
48	V615881216	1	SEALING WASHER	
49	V640045112	1	PLUG	
50	V836866613	1	SENSOR SEE PAGE 01-0036	

**<https://www.ebooklibonline.com>**

Hello dear friend!

Thank you very much for reading.

Enter the link into your browser.

The full manual is available for immediate download.

**<https://www.ebooklibonline.com>**

---

Fendt

---

5270C COMBINE (552310001-999 / 552410001-999 AL)

3906038

---

ENGINE - CYLINDER-BLOCK

Page01-0008

---

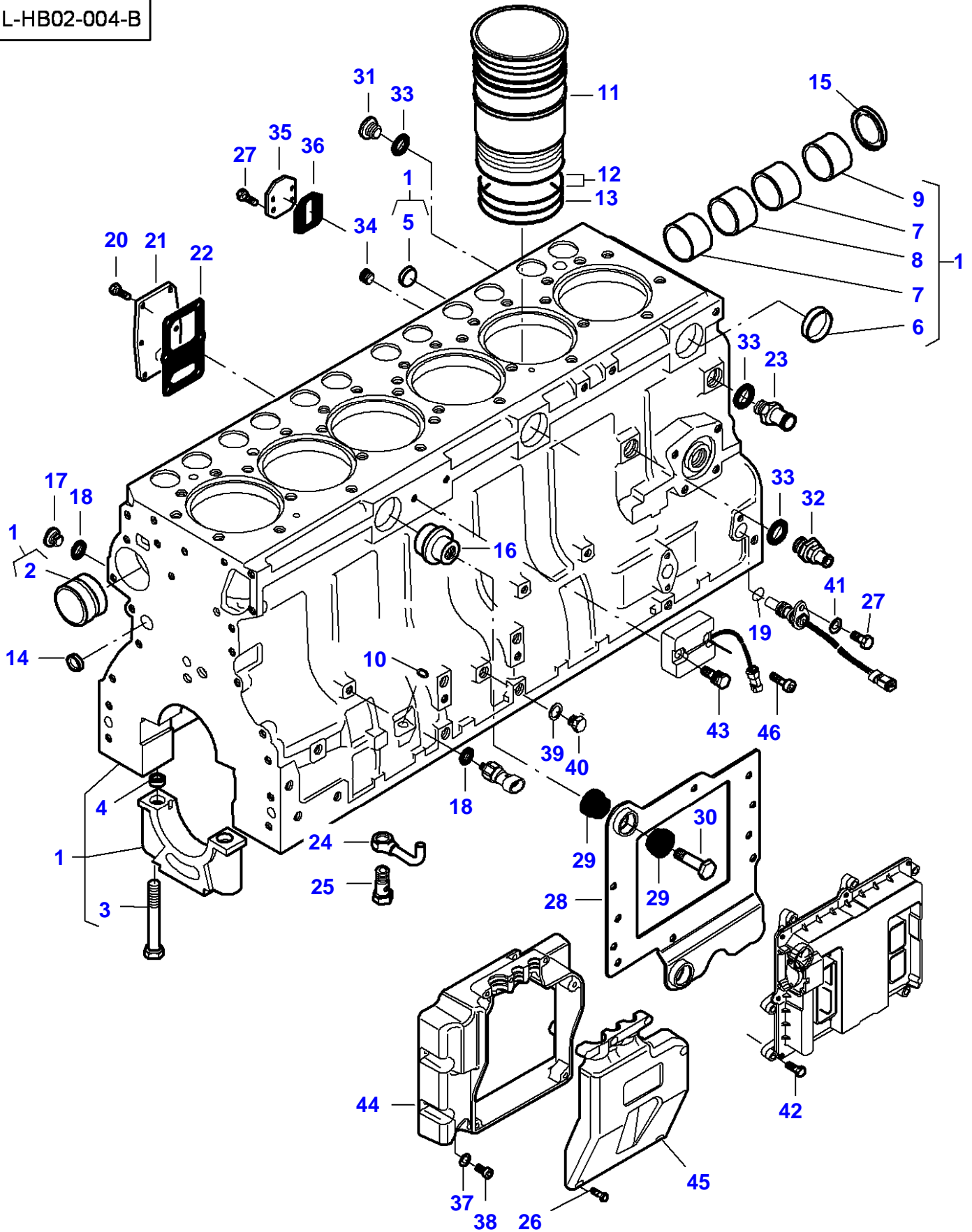
74CTA-4V ENGINE - UP TO ENGINE NUMBER S1630

---

Item	Part Number	Qty	Description Comments	Technical Specification
51	V836866392	1	SPEED SENSOR SEE PAGE 01-0036	
52	V836647574	1	OIL PIPE [A] INCLUDED IN V836840103	

5270C COMBINE (552310001-999 / 552410001-999 AL)  
L-HB02-004-B

L-HB02-004-B

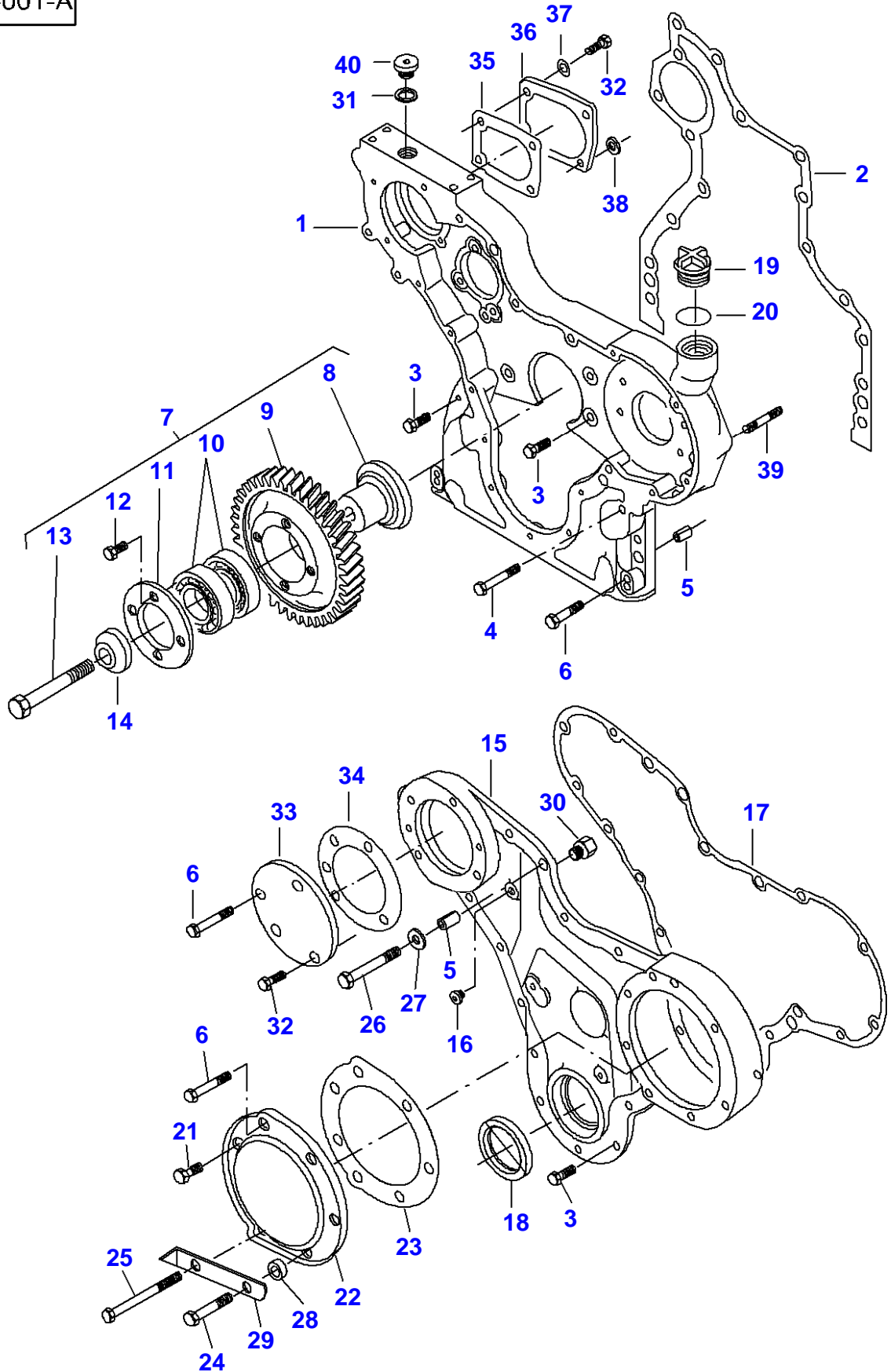


Item	Part Number	Qty	Description Comments
1	V837070103	1	CYLINDER BLOCK COMPLETE ASSEMBLY
2	V836866069	1	CAMSHAFT BEARING BUSH
	V836866036	X	CAMSHAFT BEARING BUSH
3	V529903180	14	HEX CAP SCREW
4	V836214478	78	GUIDE SLEEVE
5	V640016018	1	PLUG
6	V640016040	2	PLUG
7	V836852460	2	CAMSHAFT BEARING BUSH
8	V836852459	1	CAMSHAFT BEARING BUSH
9	V836852461	1	CAMSHAFT BEARING BUSH
10	V640016012	1	PLUG
11	V836673191	6	LINER
	V836647933	X	LINER
	V836647934	X	LINER
	V836647935	X	LINER
12	V836647502	12	CYLINDER LINER O-RING [A]
13	V836647503	6	CYLINDER LINER O-RING [A]
14	V640016016	4	PLUG [A]
15	V836852744	1	PLUG
16	V837069057	1	PLUG
17	V640325110	4	PLUG
18	V615871014	5	SEALING WASHER [A]
19	V614601524	1	O-RING
20	V528801380	6	HEX CAP SCREW
21	V836846444	1	FLANGE
22	V836322852	1	GASKET [A]
23	V836119837	1	HOSE COUPLER
24	V837070021	6	PIPE
25	V836338601	6	PRESSURE VALVE
26	V590253388	6	SCREW
27	V528801362	5	HEX CAP SCREW
28	V837070147	1	ECU BRACKET
29	V837069052	6	RUBBER BUSH
30	V837069056	3	SCREW
31	V640325018	1	PLUG
32	V836664377	1	COCK
33	V615881824	3	SEALING WASHER [A]
34	V640025010	1	PLUG UP TO ENGINE NUMBER
35	V836866957	1	COVER
36	V836866958	1	GASKET [A]
37	V500150642	5	WASHER
38	V581804182	5	HEX SOCKET SCREW
39	V615881216	1	SEALING WASHER [A]
40	V640045112	1	PLUG
41	V500050840	1	FLAT WASHER
42	V529801102	8	HEX CAP SCREW
43	V837070197	2	SCREW
44	V837070285	1	COVER
45	V837070286	1	COVER
46	V581804600	1	HEX SOCKET SCREW UP TO ENGINE NUMBER

[A] INCLUDED IN KIT V837062644

5270C COMBINE (552310001-999 / 552410001-999 AL)  
L-HB03-001-A

L-HB03-001-A

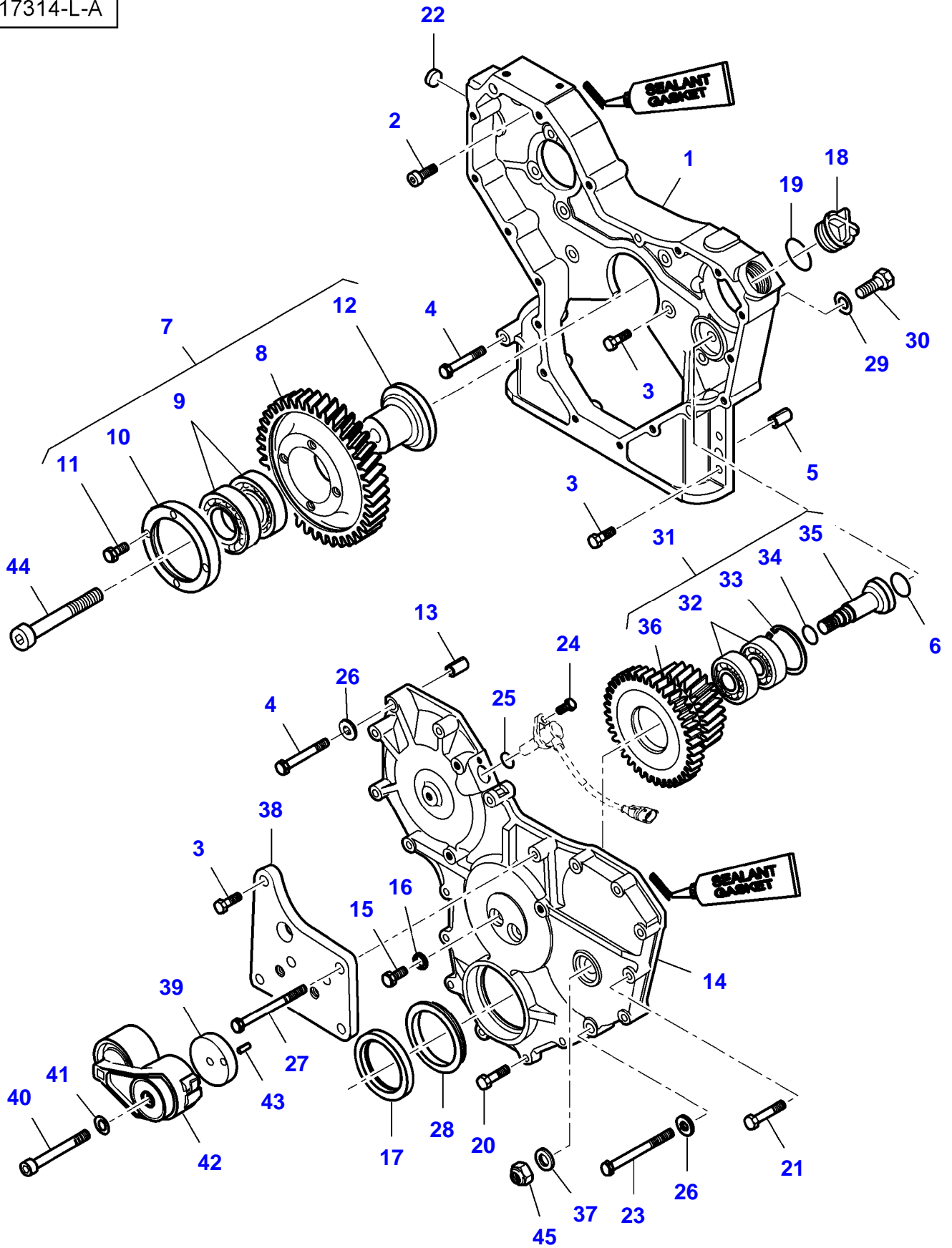


Item	Part Number	Qty	Description Comments
1	V836866410	1	TIMING GEAR CASE
2	V836647419	1	GASKET
3	V528801400	17	HEX CAP SCREW
4	V529801470	1	HEX CAP SCREW
5	V598359850	4	PIN
6	V529801440	8	HEX CAP SCREW
7	V836647946	1	IDLER GEAR COMPLETE ASSEMBLY
8	V836647937	1	SHAFT
9	V836122756	1	IDLER GEAR
10	V610071079	1	BALL BEARING
11	V836122759	1	RING
12	V528801360	4	HEX CAP SCREW
13	V529902720	1	HEX CAP SCREW
14	V836122758	1	FLANGE
15	V836117328	1	GEAR HOUSING FRONT COVER
16	V588204963	1	HEX SOCKET SCREW
17	V836117329	1	GASKET
18	V614105880	1	OIL SEAL
	V835328899	1	SPACER [A]
19	V836017927	1	CAP
20	V614603540	1	O-RING
21	V528801360	2	HEX CAP SCREW
22	V836120144	1	COVER
23	V836112272	1	GASKET
24	V529801460	1	HEX CAP SCREW
25	V529801560	1	HEX CAP SCREW
26	V529801500	4	HEX CAP SCREW
27	V836120989	1	WASHER
28	V836019695	2	SPACER
29	V836352823	1	TIMING MARK INDICATOR
30	V836647774	1	RESTRICTOR
31	V615881822	1	SEALING WASHER
32	V528801380	5	HEX CAP SCREW
33	V836117337	1	COVER
34	V836117338	1	GASKET
35	V836022077	1	GASKET
36	V836122076	1	COVER
37	V500950800	3	SPRING WASHER
38	V836015967	1	SEALING WASHER
39	V546801815	4	STUD BOLT
40	V640325018	1	PLUG

[A] INCLUDED IN V836840103

5270C COMBINE (552310001-999 / 552410001-999 AL)  
8017314-L-A

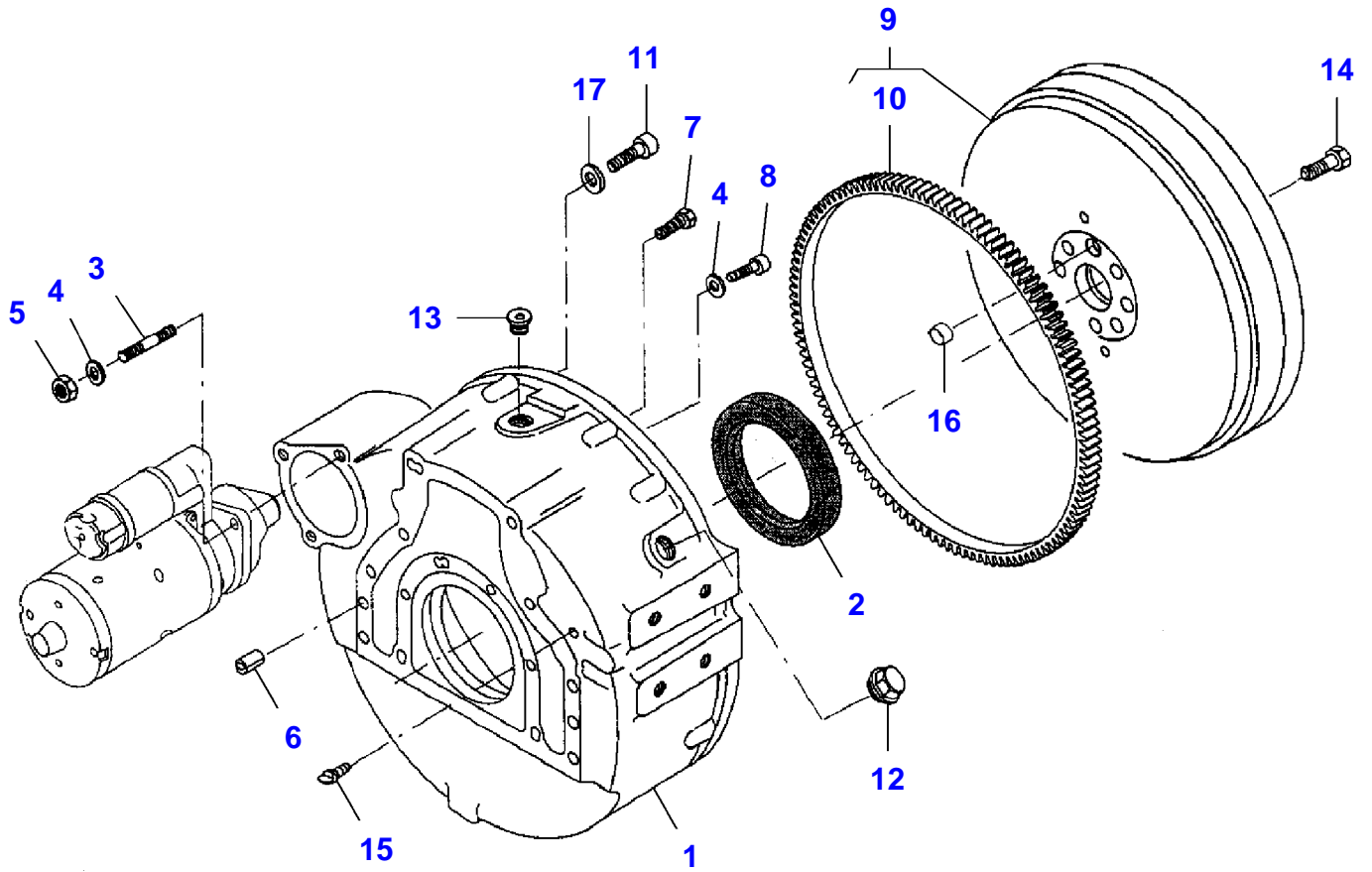
8017314-L-A



Item	Part Number	Qty	Description Comments
1	V837070062	1	TIMING GEAR CASE
2	V581804620	2	HEX SOCKET SCREW
3	V528801400	14	HEX CAP SCREW
4	V529801470	2	HEX CAP SCREW
5	V598359850	2	PIN
6	V614601924	1	O-RING
7	V837070001	1	KIT, GEAR COMPLETE ASSEMBLY
8	V837070000	1	IDLER GEAR
9	V610072109	1	BALL BEARING
10	V836855565	1	RING
11	V528901400	4	HEX CAP SCREW
12	V836855562	1	SHAFT
13	V598359860	2	PIN
14	V837070162	1	GEAR HOUSING FRONT COVER
15	V528801380	2	HEX CAP SCREW
16	V615870814	2	SEALING WASHER
17	V836840883	1	CRANKSHAFT SEAL
	V836873100	X	SPACER [A]
18	V836017927	1	CAP
19	V614603540	1	O-RING
20	V528801410	6	HEX CAP SCREW
21	V529801440	10	HEX CAP SCREW
22	V640016016	1	PLUG
23	V529801540	1	HEX CAP SCREW
24	V528801062	1	HEX CAP SCREW
25	V614601524	1	O-RING
	V614601718	1	UP TO ENGINE NUMBER O-RING FROM ENGINE S/N
26	V836120989	2	WASHER
27	V529801560	1	HEX CAP SCREW
28	V836855636	1	SHIELD
29	V500951200	1	SPRING WASHER
30	V528902200	1	HEX CAP SCREW
	V581705420	1	UP TO ENGINE NUMBER HEX SOCKET SCREW FROM ENGINE S/N
31	V837070086	1	DUAL GEAR WHEEL COMPLETE ASSEMBLY
32	V610073040	1	BALL BEARING
33	V617330052	1	LOCK RING
34	V614601324	1	O-RING
35	V837069069	1	SHAFT
36	V837070112	1	DUAL GEAR WHEEL
37	V837069070	1	WASHER
38	V837070288	1	RETAINING PLATE
39	V837067787	1	SPACER
40	V581805170	1	HEX SOCKET SCREW
41	V500951000	1	SPRING WASHER
42	V836667411	1	TENSIONER
43	V595954600	1	PIN
44	V581705910	1	HEX SOCKET SCREW
45	V504601400	1	NUT

[A] INCLUDED IN KIT V837062644

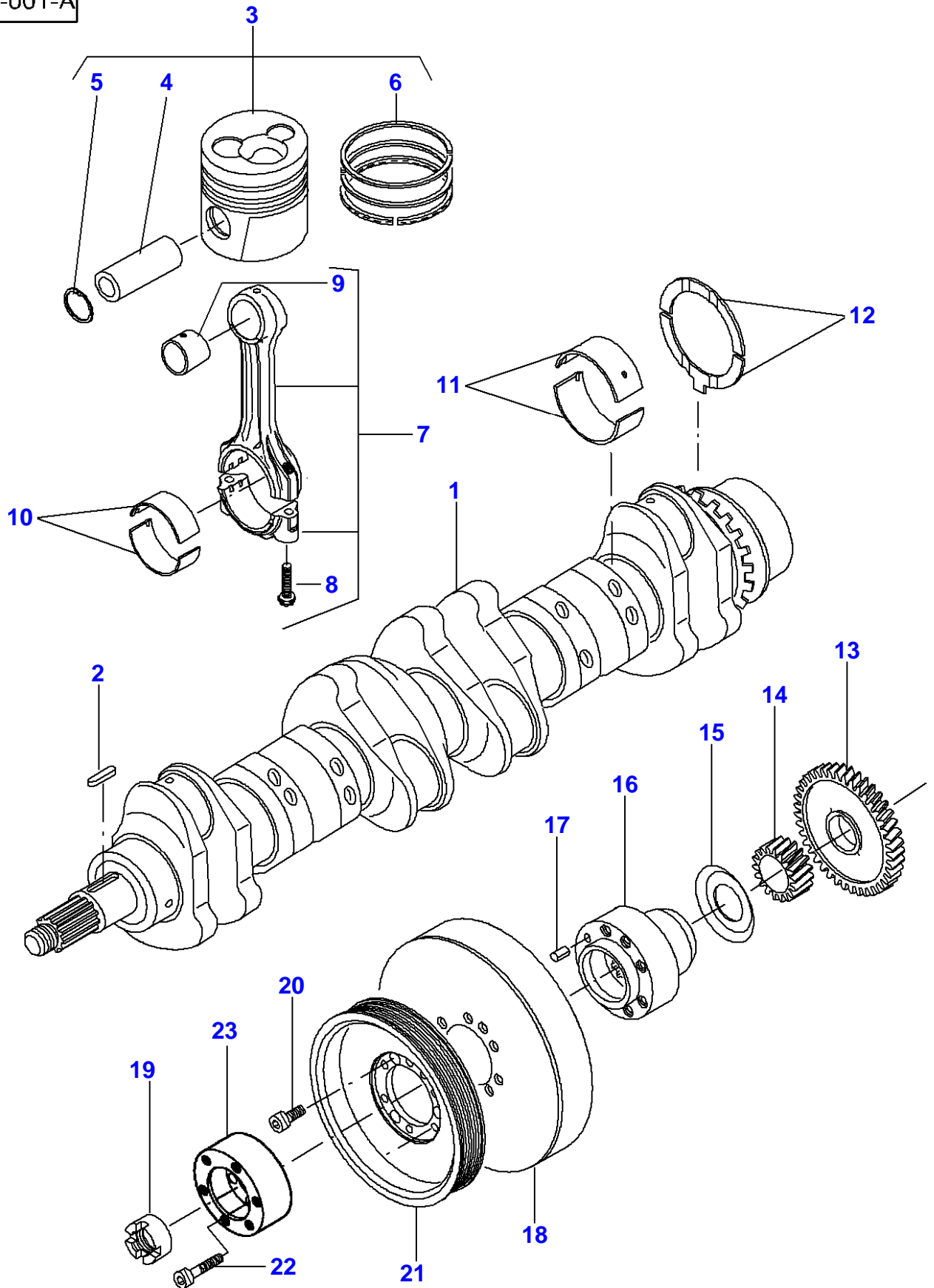
8014895-L-A



Item	Part Number	Qty	Description Comments
1	V836647440	1	FLYWHEEL HOUSING
2	V614500002	1	CRANKSHAFT SEAL [A]
	V836020054	X	SPACER
3	V546801800	3	STUD BOLT
4	V500951000	6	SPRING WASHER
5	V504801000	3	NUT
6	V598359850	2	PIN
7	V528902220	6	HEX CAP SCREW
8	V581705030	6	HEX SOCKET SCREW
9	V836655066	1	FLYWHEEL COMPLETE ASSEMBLY
10	V836117970	1	STARTER RING
11	V581705440	2	HEX SOCKET SCREW
12	V640045126	1	PLUG
13	V640325018	1	PLUG
14	V528702230	8	HEX CAP SCREW
15	V836859311	1	PLUG
16	V836659527	1	GUIDE SLEEVE
17	V500951200	9	SPRING WASHER [A] INCLUDED IN KIT V837062644

5270C COMBINE (552310001-999 / 552410001-999 AL)  
L-HB05-001-A

L-HB05-001-A



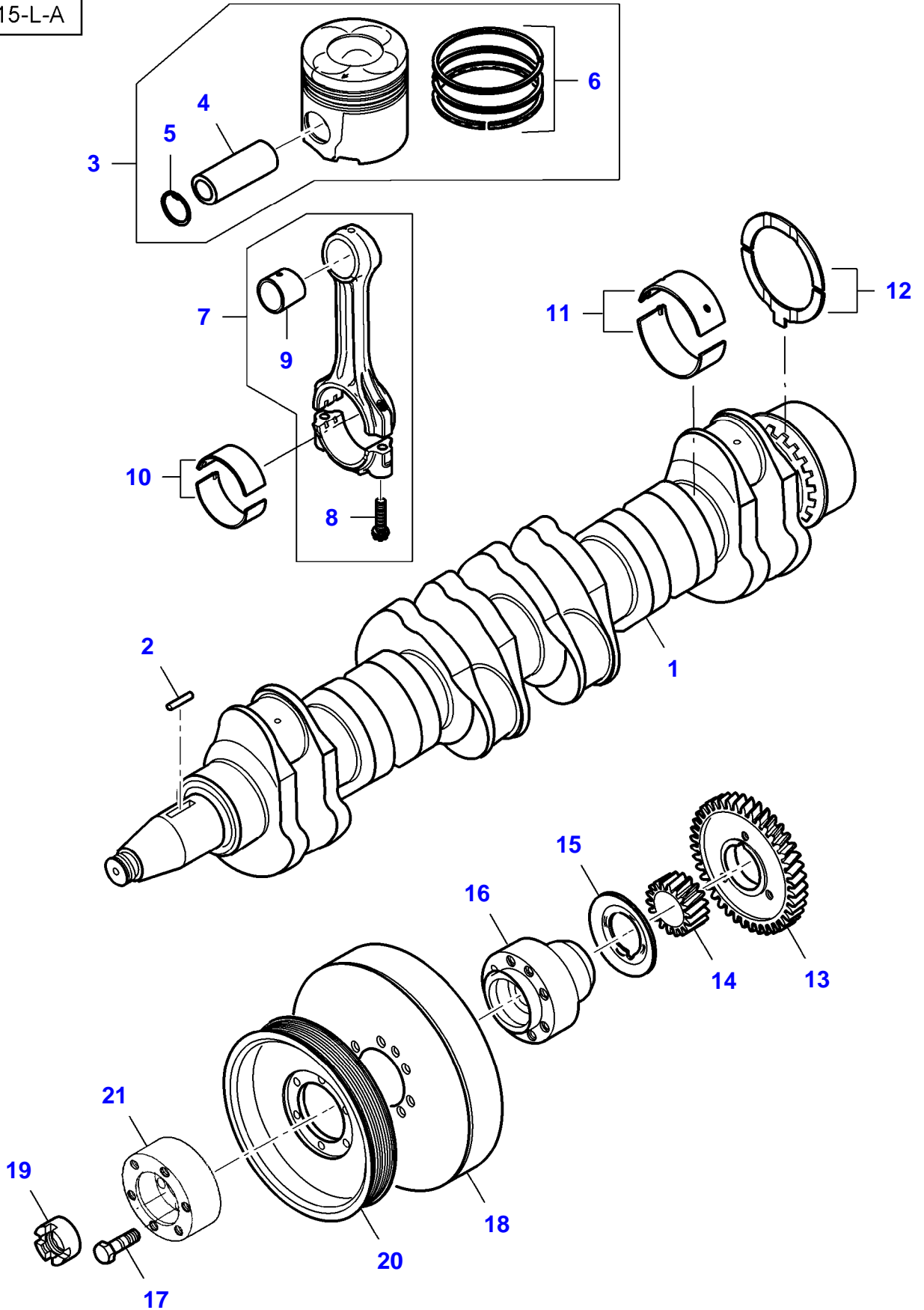
Item	Part Number	Qty	Description Comments
1	V836866476	1	CRANKSHAFT
2	V603345110	1	KEY
3	V836866181	6	PISTON
4	NS	6	COMPLETE ASSEMBLY NON-SERVICEABLE PART
5	NS	12	NON-SERVICEABLE PART
6	V836640078	6	PISTON RING KIT
7	V836840928	1	CONNECTING ROD KIT COMPLETE ASSEMBLY
	V836666430	6	CONROD 1935-1954g F
	V836666431	X	CONROD 1955-1974g V
	V836666432	X	CONROD 1975-1994g X
	V836666433	X	CONROD 1995-2014g Y
	V836666434	X	CONROD 2015-2034g W
	V836666435	X	CONROD 2035-2054g Z
	V836666436	X	CONROD 2055-2074g G
8	V836864141	12	CONNECTING ROD BOLT
9	V836110646	6	BEARING BUSH
10	V836110552	6	BEARING SHELL STANDARD 67,981MM 68,000MM
	V836112762	X	BEARING SHELL 67,731MM 67,750MM
	V836112763	X	BEARING SHELL 67,481MM 67,500MM
	V836112765	X	BEARING SHELL 66,981MM 67,000MM
	V836112767	X	BEARING SHELL 66,481MM 66,50MM
	V836140950	X	MAIN BEARING OUTER 1,0mm INNER 0,5MM [A]
11	V836655514	7	MAIN BEARING STANDARD 84,985MM 85,020MM
	V836655536	X	MAIN BEARING 84,735MM 84,770MM
	V836655537	X	MAIN BEARING 84,485MM 84,520MM
	V836655538	X	MAIN BEARING 83,985MM 84,020MM
	V836655539	X	MAIN BEARING 83,485MM 83,520MM
12	V836119459	2	THRUST WASHER STANDARD

Item	Part Number	Qty	Description Comments
	V836120332	X	THRUST WASHER THICKNESS 0,1MM
	V836120333	X	THRUST WASHER THICKNESS 0,2MM
13	V836119550	1	GEAR,CRANKSHAFT
14	V836122840	1	GEAR,CRANKSHAFT
15	V836122732	1	RING
16	V836322586	1	CRANKSHAFT HUB
17	V595954600	1	PIN
18	V836340689	1	CRANKSHAFT VIBRATION DAMPENER
19	V836847641	1	CRANKSHAFT NUT
20	V581804620	3	HEX SOCKET SCREW
21	V836866527	1	PULLEY
22	V581804670	6	HEX SOCKET SCREW
23	V836867576	1	SPACER

[A] INCLUDED IN V836840103

5270C COMBINE (552310001-999 / 552410001-999 AL)  
8017315-L-A

8017315-L-A



Item	Part Number	Qty	Description Comments
1	V837069089	1	CRANKSHAFT
2	V836855525	1	KEY
3	V837064948	6	PISTON COMPLETE ASSEMBLY UP TO ENGINE NUMBER U1000
	V837073229	6	PISTON COMPLETE ASSEMBLY FROM ENGINE NUMBER U1001
4	NS	6	NON-SERVICEABLE PART
5	NS	12	NON-SERVICEABLE PART
6	V836640078	6	PISTON RING KIT
7	V836840928	1	CONNECTING ROD KIT COMPLETE ASSEMBLY
	V836666430	6	CONROD 1935-1954g F
	V836666431	X	CONROD 1955-1974g V
	V836666432	X	CONROD 1975-1994g X
	V836666433	X	CONROD 1995-2014g Y
	V836666434	X	CONROD 2015-2034g W
	V836666435	X	CONROD 2035-2054g Z
	V836666436	X	CONROD 2055-2074g G
8	V836864141	12	CONNECTING ROD BOLT
9	V836110646	6	BEARING BUSH
10	V836110552	6	BEARING SHELL STANDARD 67,981MM 68,000MM
	V836112762	X	BEARING SHELL 67,731MM 67,750MM
	V836112763	X	BEARING SHELL 67,481MM 67,500MM
	V836112765	X	BEARING SHELL 66,981MM 67,000MM
	V836112767	X	BEARING SHELL 66,481MM 66,50MM
11	V836840944	7	MAIN BEARING STANDARD 89,985MM 90,020MM
	V836840978	X	MAIN BEARING 89,735MM 89,770MM
	V836840979	X	MAIN BEARING 89,485MM 90,520MM
	V836840980	X	MAIN BEARING 88,985MM 89,020MM
	V836840981	X	MAIN BEARING 88,485MM 88,520MM
12	V836840945	2	THRUST WASHER STANDARD
	V836840945	2	THRUST WASHER STANDARD

---

Fendt

5270C COMBINE (552310001-999 / 552410001-999 AL)

3906038

ENGINE - CRANKSHAFT, PISTONS & PISTON ROD

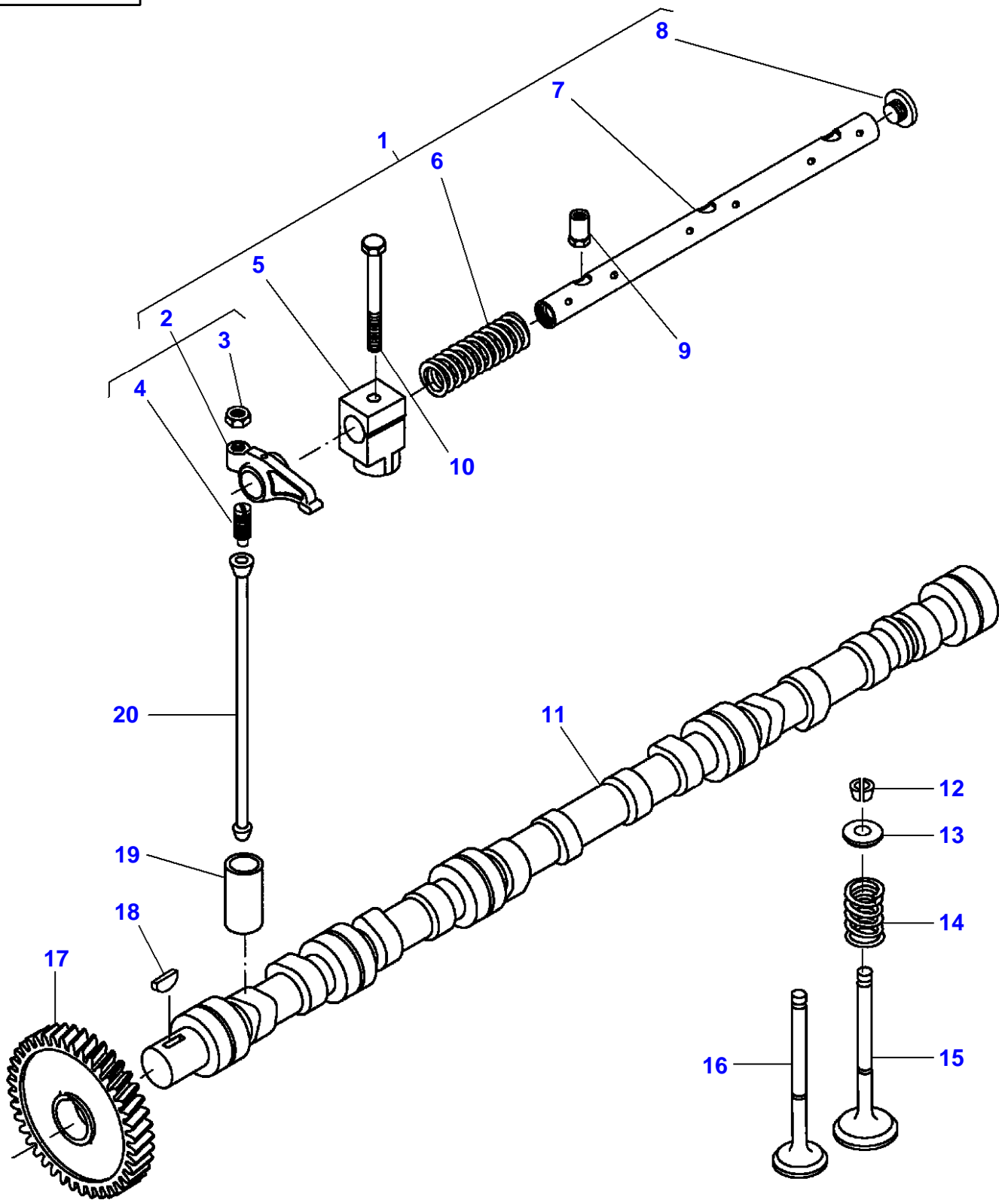
Page01-0014

74CTA-4V ENGINE - FROM ENGINE NUMBER S1631

---

Item	Part Number	Qty	Description	Comments
	V836840982	X	THRUST WASHER THICKNESS 0,1MM	
	V836840983	X	THRUST WASHER THICKNESS 0,2MM	
13	V836855558	1	GEAR,CRANKSHAFT	
14	V837069060	1	GEAR	
15	V836855637	1	RING	
16	V837070178	1	CRANKSHAFT HUB	
17	V581705490	6	HEX SOCKET SCREW	
18	V837070177	1	CRANKSHAFT VIBRATION DAMPENER	
19	V836322221	1	CRANKSHAFT NUT	
20	V837070287	3	PULLEY	
21	V837070345	1	SPACER	

L-HB06-001-A



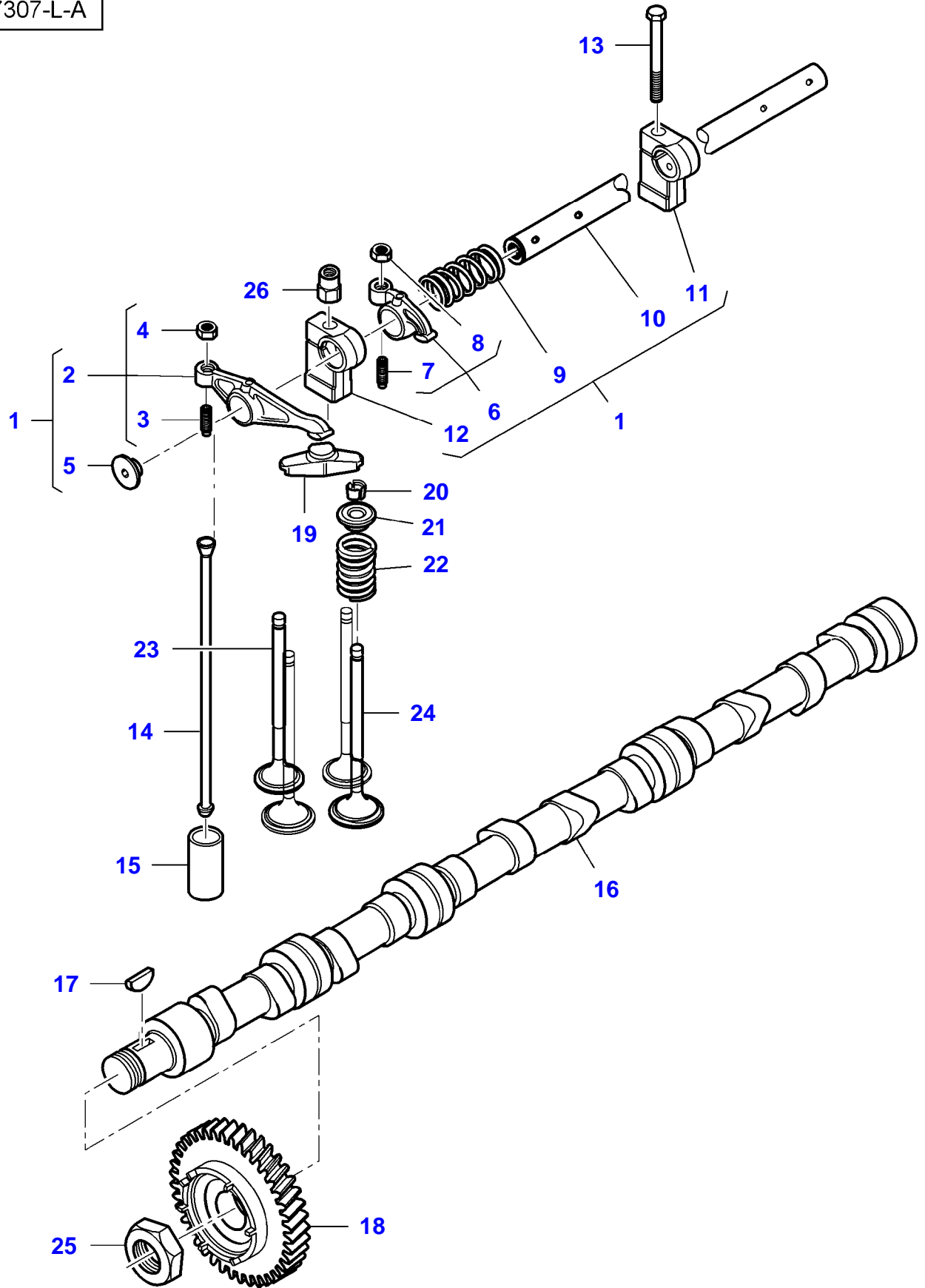
Item	Part Number	Qty	Description Comments
1	V836667043	2	ROCKER SHAFT ASM COMPLETE ASSEMBLY
2	V836666608	12	ROCKER ARM
3	V512861000	12	NUT
4	V836655866	12	ADJUSTING SCREW
5	V836666609	6	BRACKET
6	V836655884	4	SPRING
7	V836655870	2	SHAFT
8	V836655899	4	PLUG
9	V836655406	4	NUT
10	V529801910	2	HEX CAP SCREW
11	V836862528	1	CAMSHAFT
12	V836646382	24	COTTER
13	V836646381	12	WASHER
	V836652269	X	VALVE SEAT +0,2MM [A]
	V836855347	X	VALVE SEAT +0,2MM [B]
14	V837073405	12	VALVE SPRING
15	V836646356	6	INTAKE VALVE
16	V836646357	6	EXHAUST VALVE
17	V836647920	1	GEAR,CAMSHAFT
18	V603305760	1	WOODRUFF KEY
19	V836014264	12	TAPPET
20	V836655867	12	PUSH ROD

[A] FOR VALVE INLET

[B] FOR VALVE EXHAUST

5270C COMBINE (552310001-999 / 552410001-999 AL)  
8017307-L-A

8017307-L-A



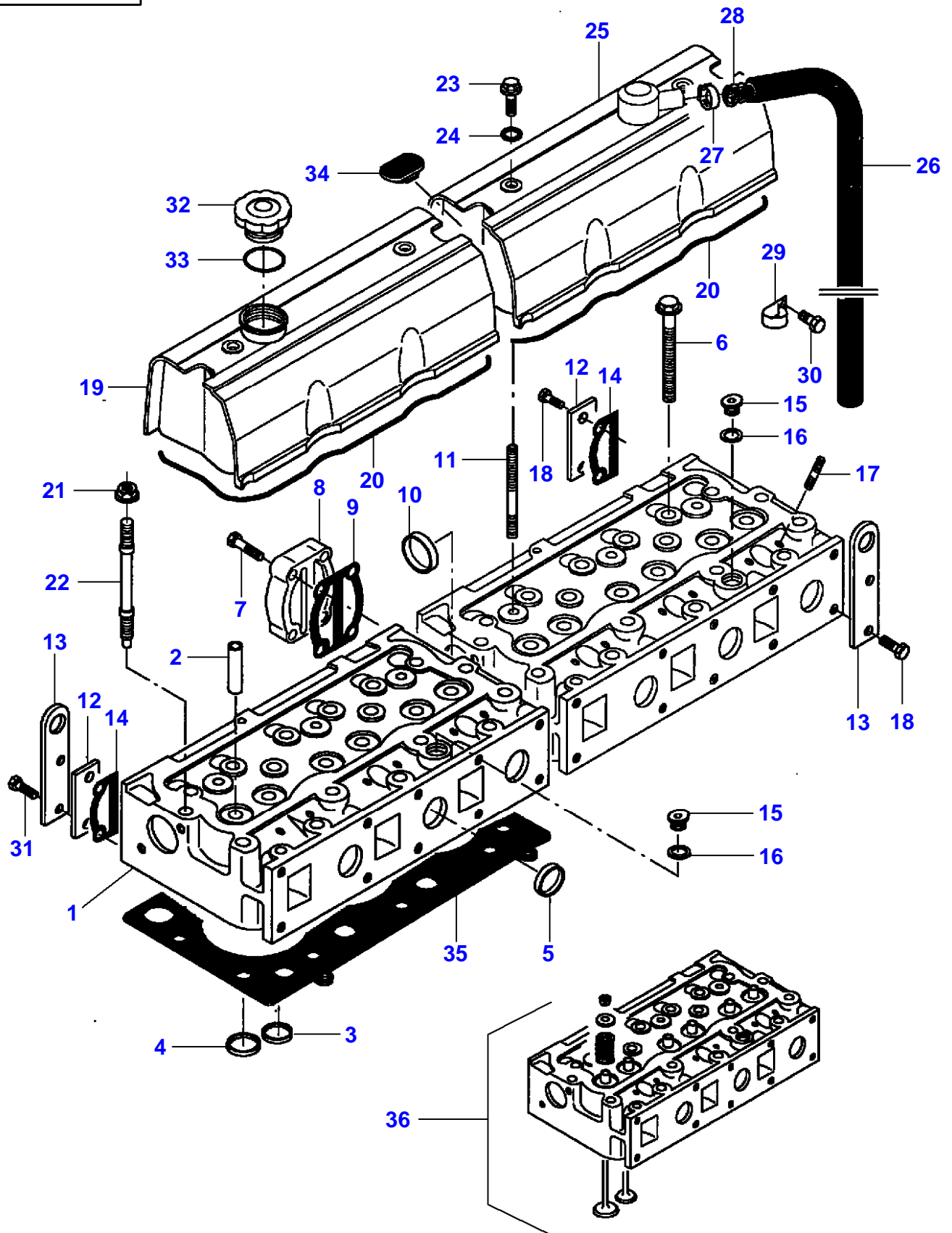
Item	Part Number	Qty	Description
			<b>Comments</b>
1	V837069016	1	ROCKER SHAFT ASM COMPLETE ASSEMBLY
2	V837069011	1	ROCKER ARM [A]
3	V837069023	6	VALVE ROCKER ADJUSTMENT SCREW
4	V512861000	6	NUT
5	V837069020	4	PLUG
6	V837069013	6	ROCKER ARM [B]
7	V837069023	6	VALVE ROCKER ADJUSTMENT SCREW
8	V512861000	6	NUT
9	V837069019	4	SPRING
10	V837069015	2	SHAFT
11	V837069018	2	ROCKER SHAFT BRACKET
12	V837069017	4	ROCKER SHAFT BRACKET
13	V529801920	2	HEX CAP SCREW
14	V837069014	12	PUSH ROD
15	V836014264	12	TAPPET
16	V837070148	1	CAMSHAFT
17	V603305760	1	WOODRUFF KEY
18	V837070036	1	GEAR,CAMSHAFT
19	V837073089	12	VALVE BRIDGE
20	V837064910	48	COTTER
21	V837069004	24	SPRING PLATE
22	V837069005	24	VALVE SPRING
23	V837069002	12	EXHAUST VALVE
24	V837069003	12	INTAKE VALVE
25	V837069085	1	NUT
26	V836655406	4	NUT

[A] FOR VALVE INLET

[B] FOR VALVE EXHAUST

5270C COMBINE (552310001-999 / 552410001-999 AL)  
L-HB08-001-A

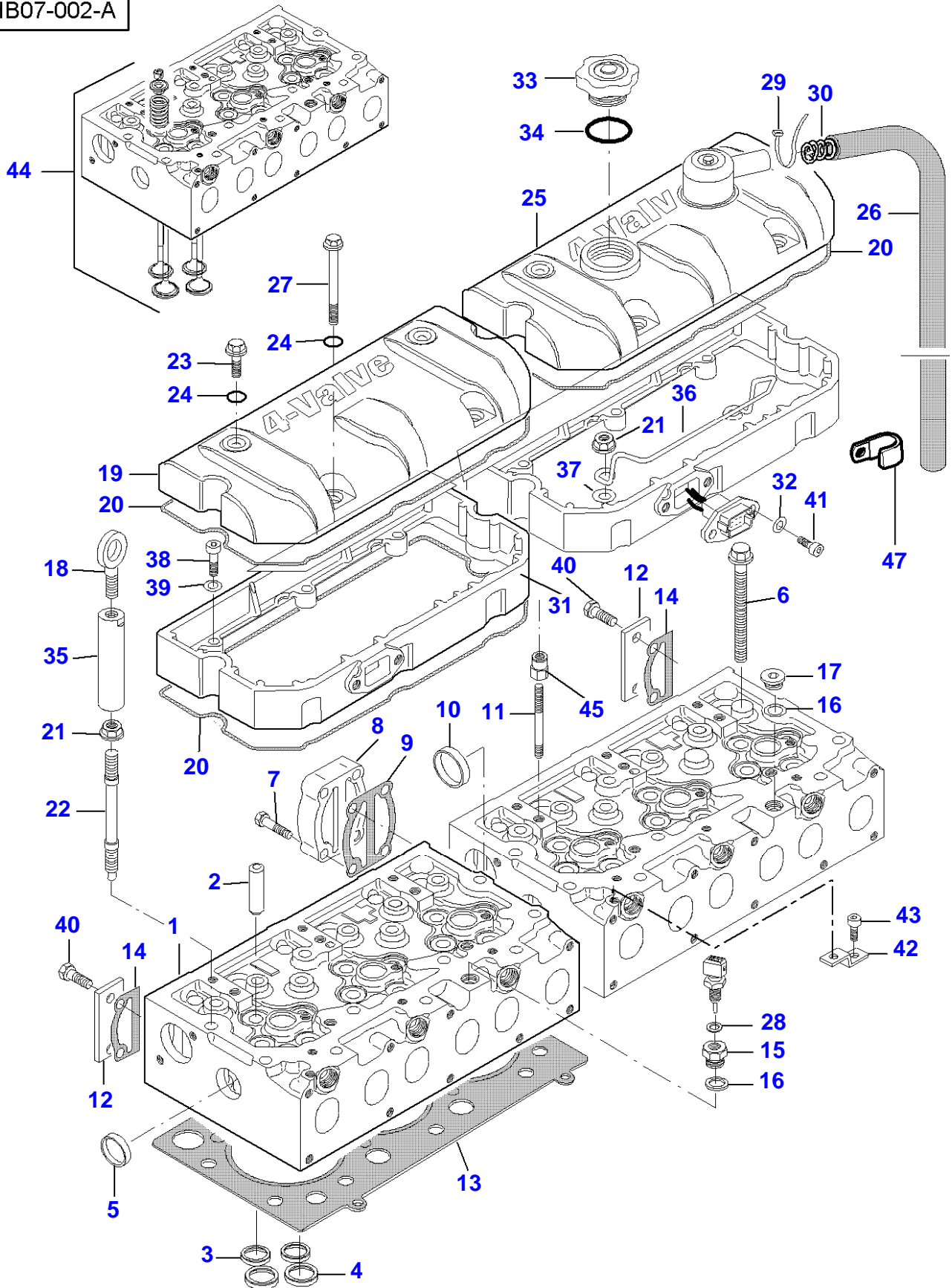
L-HB08-001-A



Item	Part Number	Qty	Description Comments
1	V836855381	2	CYLINDER HEAD COMPLETE ASSEMBLY
2	V836673175	12	VALVE GUIDE [B]
3	V836647600	6	VALVE SEAT [B]
4	V836647936	6	VALVE SEAT [B]
5	V836647942	10	PLUG [B]
6	V836859104	32	HEXAGON FLANGE BOLT
7	V528801830	4	HEX CAP SCREW
8	V836855348	1	JOINT PIECE
9	V836867390	1	GASKET [A]
10	V640016045	1	PLUG
11	V546801900	4	STUD BOLT
12	V836855350	2	COVER
13	V836859722	2	LIFT EYE
14	V836867753	2	GASKET [A]
15	V640325018	2	PLUG
16	V615881822	2	SEALING WASHER [A]
17	V546901435	12	STUD BOLT
18	V528801800	4	HEX CAP SCREW
19	V836667128	1	VALVE ROCKER COVER
20	V836667243	2	VALVE ROCKER COVER GASKET [A]
21	V836859110	2	NUT
22	V836859109	2	STUD BOLT
23	V540801780	4	HEX CAP SCREW
24	V614901030	4	O-RING [A]
25	V836667206	1	VALVE COVER
26	V836755007	1	RUBBER HOSE
27	V602088532	1	HOSE CLIP
28	V836659103	1	SPRING
29	V836659539	1	CLAMP
30	V528801760	1	HEX CAP SCREW
31	V528801820	2	HEX CAP SCREW
32	V836338733	1	OIL FILLER CAP
33	V614604740	1	O-RING
34	V836867578	1	RUBBER PLUG
35	V837070290	2	CYLINDER HEAD GASKET [A]
36	V836640897	2	KIT, CYL. HEAD [A] INCLUDED IN V836840102 [B] INCLUDED IN ITEM 1

5270C COMBINE (552310001-999 / 552410001-999 AL)  
L-HB07-002-A

L-HB07-002-A

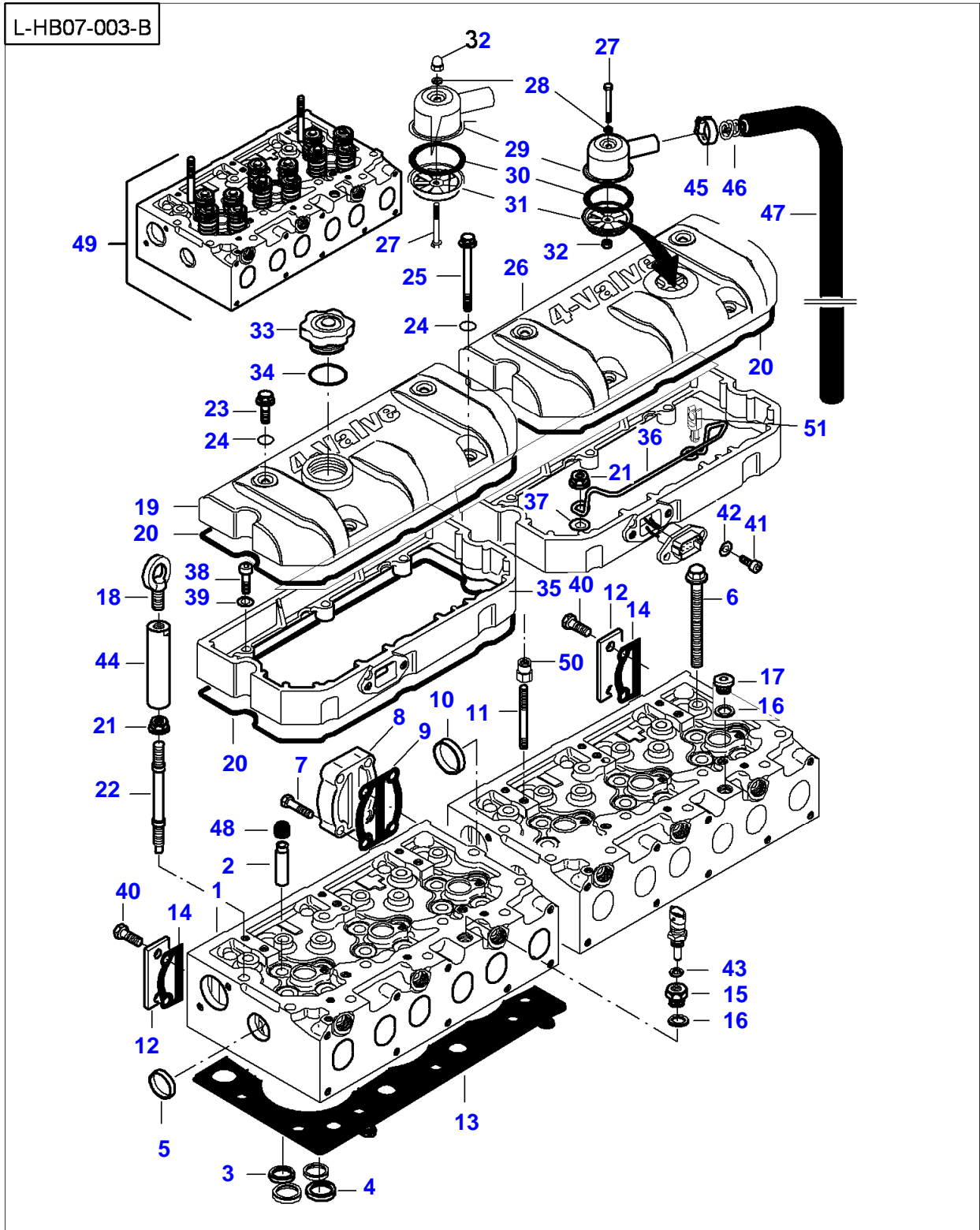


Item	Part Number	Qty	Description Comments
1	V837069001	2	CYLINDER HEAD COMPLETE ASSEMBLY
2	V837064906	24	VALVE GUIDE [B]
3	V837064907	12	VALVE SEAT [B]
4	V837064908	12	VALVE SEAT [B]
5	V836647942	4	PLUG [B]
6	V837069025	27	CYLINDER HEAD BOLT
7	V528801830	4	HEX CAP SCREW
8	V836855348	1	JOINT PIECE
9	V836867390	1	GASKET [A]
10	V640016045	1	PLUG
11	V546801900	4	STUD BOLT
12	V836855350	2	COVER
13	V837070290	2	CYLINDER HEAD GASKET [A]
14	V836867753	2	GASKET [A]
15	V836119643	1	THREADED NIPPLE
16	V615881822	2	SEALING WASHER [A]
17	V640325018	1	PLUG
18	V836640752	2	LIFT EYE
19	V837070170	1	COVERING
20	V837069024	4	GASKET [A]
21	V836859110	9	NUT
22	V836859109	7	STUD BOLT
23	V540801780	4	HEX CAP SCREW
24	V614901030	8	O-RING [A]
25	V837069029	1	COVERING
26	V837070346	1	RUBBER HOSE
27	V540801910	4	SCREW
28	V615881418	1	SEALING WASHER [A]
29	V835329746	1	CABLE TIE
30	V837070343	1	SPRING
31	V837069021	2	VALVE ROCKER COVER FRAME
32	V500150842	4	WASHER
33	V836338733	1	OIL FILLER CAP
34	V614604740	1	O-RING [A]
35	V836867567	2	LIFTING EYE EXTENSION
36	V837069026	1	BRACKET
37	V500951200	4	SPRING WASHER
38	V581804630	6	HEX SOCKET SCREW
39	V500950800	6	SPRING WASHER
40	V528801800	4	HEX CAP SCREW
41	V581804602	4	HEX SOCKET SCREW
42	V836747849	1	SUPPORT
43	V581804582	1	HEX SOCKET SCREW
44	V837062565	2	CYLINDER HEAD COMPLETE ASSEMBLY
45	V836655406	4	NUT
47	V602075528	1	HOSE CLIP

[A] INCLUDED IN KIT V837062646

[B] INCLUDED IN ITEM 1

5270C COMBINE (552310001-999 / 552410001-999 AL)  
L-HB07-003-B

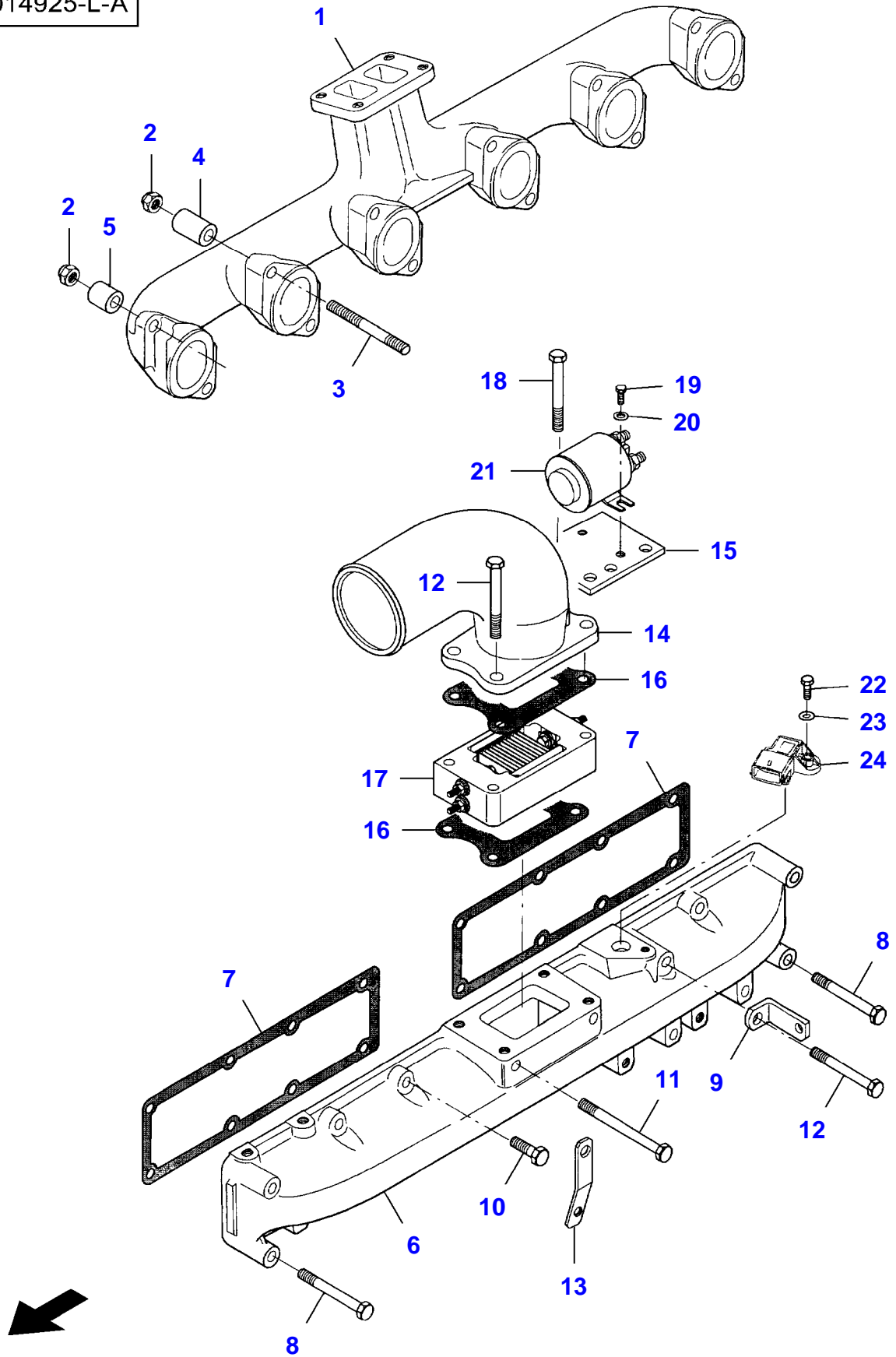


Item	Part Number	Qty	Description Comments
1		2	CYLINDER HEAD COMPLETE ASSEMBLY
2	V837073174	24	VALVE GUIDE [D]
3	V837064907	12	VALVE SEAT [D]
4	V837064908	12	VALVE SEAT [D]
5	V836647942	4	PLUG [D]
6	V837069025	28	CYLINDER HEAD BOLT UP TO ENGINE NUMBER U1000
	V837069025	32	CYLINDER HEAD BOLT FROM ENGINE NUMBER U1001
7	V528801830	4	HEX CAP SCREW
8	V836855348	1	JOINT PIECE
9	V836867752	1	GASKET [A]
10	V640016045	1	PLUG
11	V546801900	4	STUD BOLT
12	V836855350	2	COVER
13	V837070290	2	CYLINDER HEAD GASKET [A]
14	V836867753	2	GASKET [A]
15	V836119643	1	THREADED NIPPLE
16	V615881822	2	SEALING WASHER [A]
17	V640325018	1	PLUG
18	V836640752	2	LIFT EYE
19	V837070447	1	VALVE ROCKER COVER
20	V837067881	4	VALVE ROCKER COVER GASKET [A]
21	V836859110	10	NUT UP TO ENGINE NUMBER U1000
	V836859110	2	NUT FROM ENGINE NUMBER U1001
22	V836859109	6	STUD BOLT UP TO ENGINE NUMBER U1000
	V836859109	2	STUD BOLT FROM ENGINE NUMBER U1001
23	V540801780	4	HEX CAP SCREW
24	V614901030	8	O-RING [A]
25	V540801910	4	SCREW
26	V837070452	1	VALVE ROCKER COVER COMPLETE ASSEMBLY
27	V528801192	1	HEX CAP SCREW UP TO ENGINE NUMBER U1000 [E]
	V528801172	1	HEX CAP SCREW FROM ENGINE NUMBER U1001 [E]
28	V836667508	1	SEALING WASHER [E]
29	V837070442	1	BREATHER [E]
30	V836667459	1	GASKET [E]
31	V837070443	1	BREATHER [E]
32	V510600602	1	NUT UP TO ENGINE NUMBER U1000 [E]

Item	Part Number	Qty	Description Comments
	V519600602	1	NUT FROM ENGINE NUMBER U1001 [E]
33	V836338733	1	OIL FILLER CAP
	V836659968	1	OIL FILLER CAP
34	V614704850	1	O-RING [A]
35	V837069021	2	VALVE ROCKER COVER FRAME
36	V837069026	1	BRACKET
37	V500951200	4	SPRING WASHER
38	V581804630	6	HEX SOCKET SCREW
39	V500950800	6	SPRING WASHER
40	V528801800	4	HEX CAP SCREW
41	V581804602	4	HEX SOCKET SCREW
42	V500150842	4	WASHER
43	V615881418	1	SEALING WASHER [A]
44	V836867567	2	LIFTING EYE EXTENSION
45	V602078532	1	HOSE CLIP
46	V837070343	1	SPRING
47	V837070346	1	RUBBER HOSE
48	V837073165	24	VALVE STEM GASKET
49	V837073233	1	CYLINDER HEAD [B]
	V837073234	1	CYLINDER HEAD [C]
50	V836655406	4	NUT
51	V837073227	4	BAND FROM ENGINE NUMBER U1001 [A] INCLUDED IN KIT V837062646 [B] FRONT [C] REAR [D] INCLUDED IN ITEM 1 [E] INCLUDED IN ITEM 26

5270C COMBINE (552310001-999 / 552410001-999 AL)  
8014925-L-A

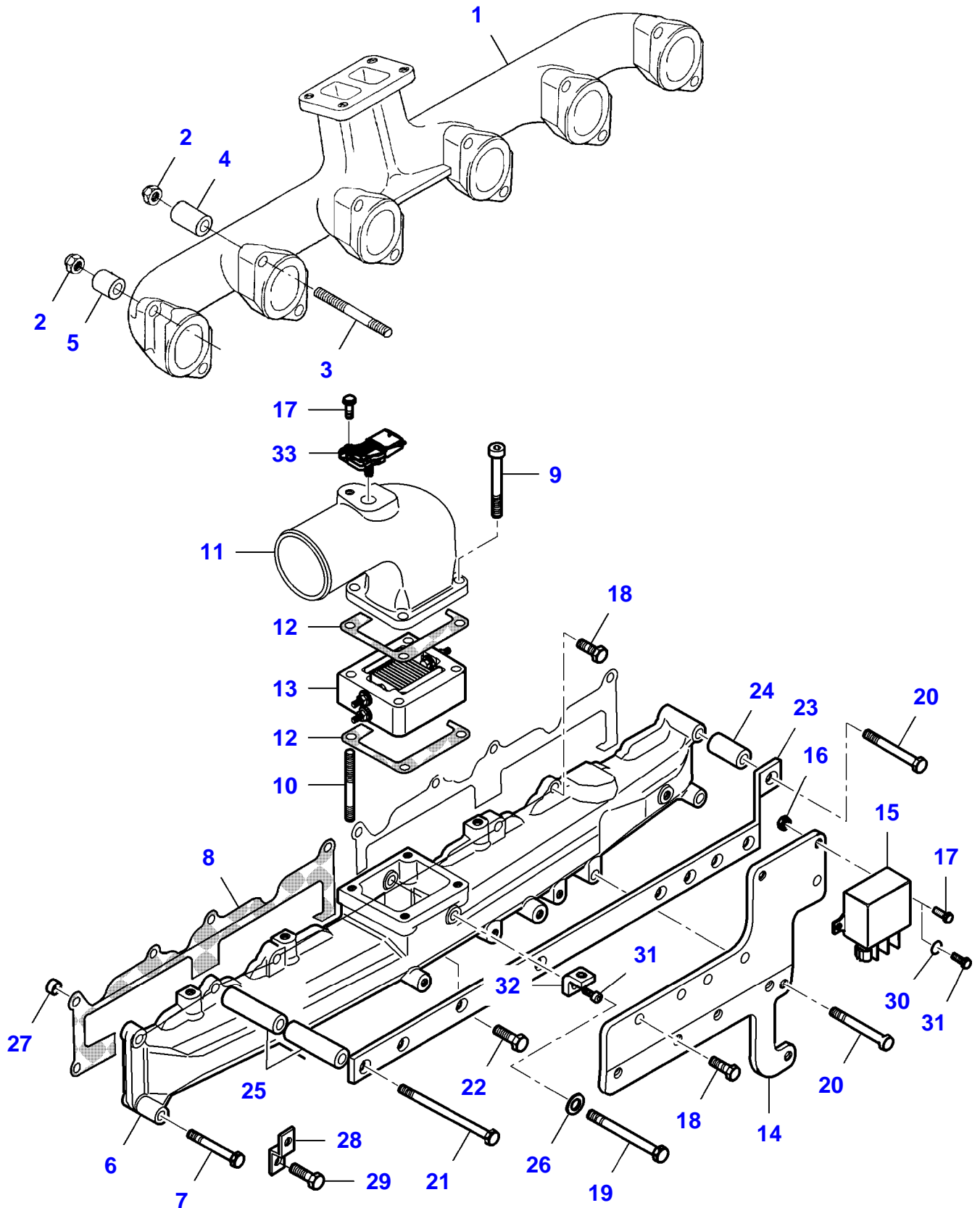
8014925-L-A



Item	Part Number	Qty	Description Comments
1	V836867065	1	EXHAUST MANIFOLD
2	V513601002	12	NUT
3	V836859188	9	STUD BOLT
4	V836664013	10	SPACER PIECE
5	V836664012	2	SPACER PIECE
6	V836866827	1	INTAKE MANIFOLD
7	V836847496	2	INTAKE MANIFOLD GASKET [A]
8	V529801470	3	HEX CAP SCREW
9	V836338662	1	SUPPORT
10	V528801410	5	HEX CAP SCREW
11	V529801530	2	HEX CAP SCREW
12	V529801480	3	HEX CAP SCREW
13	V836659276	1	SUPPORT
14	V836867575	1	AIR PIPE
15	V836866699	1	BRACKET
16	V836847532	2	GASKET [A]
17	V836864398	1	INTAKE AIR PREHEATER
18	V529801490	2	HEX CAP SCREW
19	V528800762	2	HEX CAP SCREW
20	V500150532	2	WASHER
21	V836666759	1	SOLENOID
22	V528801080	1	SCREW
23	V500050642	1	WASHER
24	V836666980	1	PRESSURE SENSOR SEE PAGE 01-0036 [A] INCLUDED IN V836840102

5270C COMBINE (552310001-999 / 552410001-999 AL)  
8017321-L-A

8017321-L-A





**Suggest:**

**For more complete manuals. Please go to the home page.**

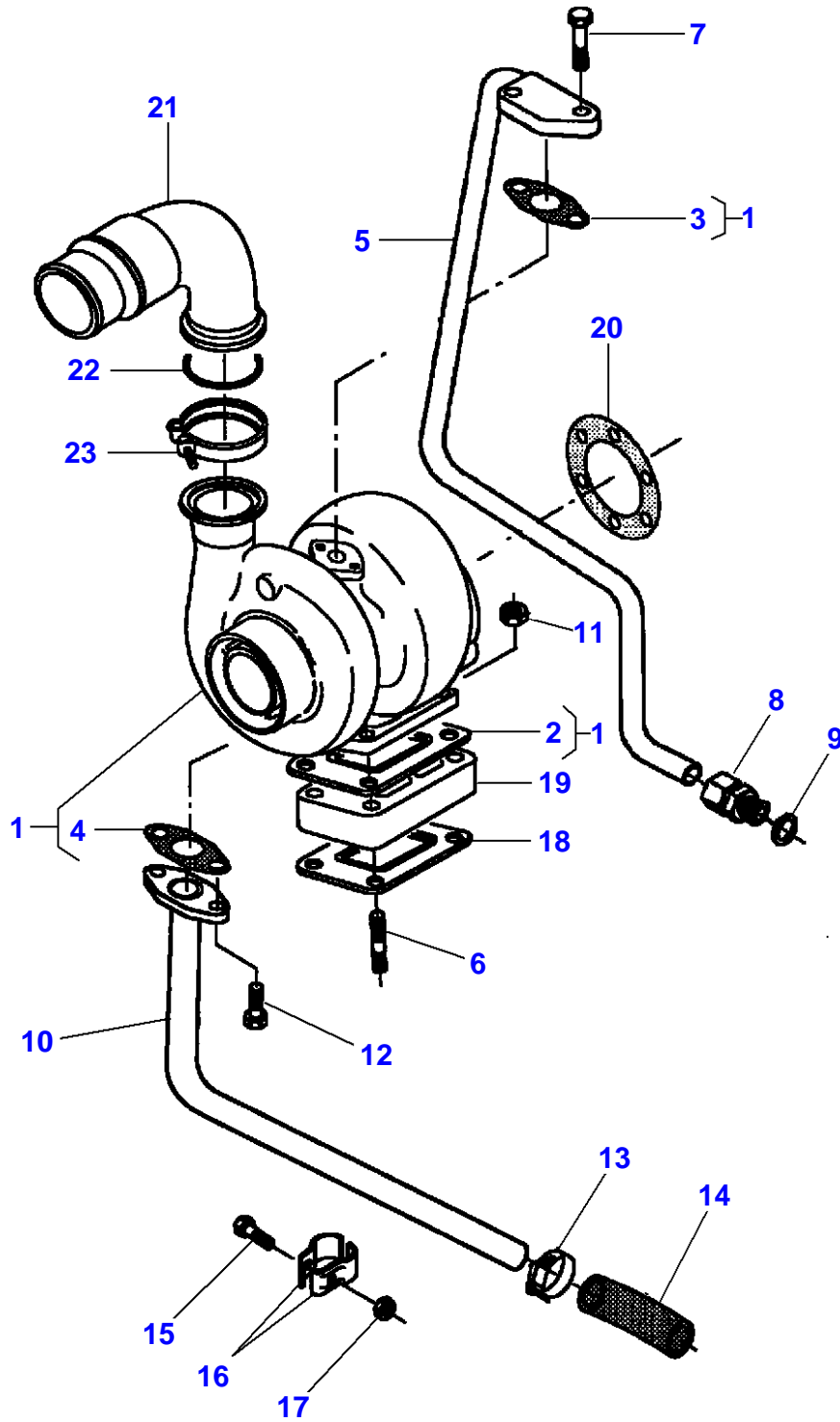
**<https://www.ebooklibonline.com>**

**If the above button click is invalid. Please download this document first, and then click the above link to download the complete manual.**

**Thank you so much for reading**

Item	Part Number	Qty	Description Comments
1	V836867065	1	EXHAUST MANIFOLD
2	V513601002	12	NUT
3	V836859188	12	STUD BOLT
4	V836664013	10	SPACER PIECE
5	V836664012	2	SPACER PIECE
6	V837070219	1	INTAKE MANIFOLD
7	V529801470	2	HEX CAP SCREW
8	V837069009	2	INTAKE MANIFOLD GASKET [A]
9	V581804702	4	HEX SOCKET SCREW
10	V546801490	2	STUD BOLT
11	V836867579	1	AIR PIPE
12	V837067345	2	GASKET [A]
13	V837067295	1	INTAKE AIR PREHEATER
14	V837070195	1	BRACKET
15	V837069047	1	SOLENOID
16	V510600602	2	NUT
17	V528801082	3	HEX CAP SCREW
18	V528801400	3	HEX CAP SCREW
19	V529801550	1	HEX CAP SCREW
20	V529801530	3	HEX CAP SCREW
21	V529801595	1	HEX CAP SCREW
22	V528801410	6	HEX CAP SCREW
23	V837070289	1	SUPPORT
24	V836652095	1	SPACER PIECE
25	V836759433	2	SPACER PIECE
26	V836015967	1	SEALING WASHER [A]
27	V598355365	1	PIN
28	V836747849	2	SUPPORT
29	V528801360	2	HEX CAP SCREW
30	V500050642	2	WASHER
31	V581804182	3	HEX SOCKET SCREW
32	V837073199	1	SUPPORT
33	V836666980	1	PRESSURE SENSOR SEE PAGE 01-0037 [A] INCLUDED IN KIT V837062646

L-0650-001-A



**<https://www.ebooklibonline.com>**

Hello dear friend!

Thank you very much for reading.

Enter the link into your browser.

The full manual is available for immediate download.

**<https://www.ebooklibonline.com>**