

TABLE OF CONTENT

| Page Number | Page Title | Page Reference |
|-------------|-------------------------------------|----------------|
| 01-000-TOC | ENGINE V835077149 74 AWF | 01-000-TOC |
| 02-000-TOC | ENGINE INSTALLATION | 02-000-TOC |
| 03-000-TOC | DRIVE SYSTEM | 03-000-TOC |
| 04-000-TOC | AXLES | 04-000-TOC |
| 05-000-TOC | FRAME AND SUSPENSION | 05-000-TOC |
| 06-000-TOC | STEERING SYSTEM | 06-000-TOC |
| 07-000-TOC | DRIVE TRAIN SYSTEM | 07-000-TOC |
| 08-000-TOC | BRAKE SYSTEM | 08-000-TOC |
| 09-000-TOC | HYDRAULIC SYSTEM | 09-000-TOC |
| 10-000-TOC | ELECTRICAL SYSTEM | 10-000-TOC |
| 11-000-TOC | CAB | 11-000-TOC |
| 12-000-TOC | AIR CONDITIONING AND HEATING SYSTEM | 12-000-TOC |
| 13-000-TOC | CHASSIS | 13-000-TOC |
| 14-000-TOC | DECALS | 14-000-TOC |
| 15-000-TOC | WHEELS | 15-000-TOC |
| 16-000-TOC | FEEDING SYSTEM | 16-000-TOC |
| 17-000-TOC | THRESHING SYSTEM | 17-000-TOC |
| 18-000-TOC | CLEANING SYSTEM | 18-000-TOC |
| 19-000-TOC | GRAIN BIN AND ELEVATOR SYSTEM | 19-000-TOC |
| 20-000-TOC | DISCHARGE SYSTEM | 20-000-TOC |
| 21-000-TOC | ATTACHMENTS | 21-000-TOC |
| 22-000-TOC | ACCESSORIES | 22-000-TOC |

ENGINE V835077149 74 AWF

Page01-000-TOC

| Page Number | Page Title | Page Reference |
|-------------|--|----------------|
| 01-0001 | ENGINE ASSEMBLIES | 1MDL1724817 |
| 01-0002 | CYLINDER BLOCK | 1MDL2302337 |
| 01-0003 | TIMING GEARS AND HOUSING | 1MDL2302338 |
| 01-0004 | FLYWHEEL AND HOUSING | 1MDL2302339 |
| 01-0005 | CRANKSHAFT AND PISTONS - UP TO ENGINE SERIAL NUMBER B69999 | 1MDL2302340 |
| 01-0006 | CRANKSHAFT AND PISTONS - STARTING FROM ENGINE SERIAL NUMBER C50000/JLD291001 | 1MDL2302341 |
| 01-0007 | CAMSHAFT AND VALVE MECHANISM | 1MDL2302342 |
| 01-0008 | CYLINDER HEAD | 1MDL2302343 |
| 01-0009 | VALVE ROCKER COVER - UP TO ENGINE SERIAL NUMBER B65418 | 1MDL2302344 |
| 01-0010 | VALVE ROCKER COVER - STARTING FROM ENGINE SERIAL NUMBER B65367 | 1MDL2302345 |
| 01-0011 | INTAKE MANIFOLD | 1MDL2302347 |
| 01-0012 | TURBOCHARGER AND EXHAUST MANIFOLD | 1MDL2302348 |
| 01-0013 | OIL PUMP AND SUMP - UP TO ENGINE SERIAL NUMBER A77999 | 1MDL2328004 |
| 01-0014 | OIL PUMP AND SUMP - STARTING FROM ENGINE SERIAL NUMBER B50000 | 1MDL2328005 |
| 01-0015 | OIL COOLER AND FILTER | 1MDL1725562 |
| 01-0016 | CLOSED CRANKCASE VENTILATION (CCV) - UP TO ENGINE SERIAL NUMBER D51660 | 1MDL2302349 |
| 01-0017 | CLOSED CRANKCASE VENTILATION (CCV) - STARTING FROM ENGINE SERIAL NUMBER D51661 | 1MDL2302350 |
| 01-0018 | COOLANT PUMP AND THERMOSTAT | 1MDL2302351 |
| 01-0019 | FUEL INJECTION SYSTEM | 1MDL2302352 |
| 01-0020 | FUEL FILTERS - UP TO ENGINE SERIAL NUMBER A77999 | 1MDL2302353 |
| 01-0021 | FUEL FILTERS - ENGINE SERIAL NUMBER RANGE B50000-C71172 | 1MDL2302354 |
| 01-0022 | FUEL FILTERS - STARTING FROM ENGINE SERIAL NUMBER C71113/JLD291001 | 1MDL2302355 |
| 01-0023 | ELECTRONIC ENGINE MANAGEMENT | 1MDL2302356 |
| 01-0024 | ALTERNATOR | 1MDL1725939 |
| 01-0025 | STARTER MOTOR | 1MDL2302357 |
| 01-0026 | FAN DRIVE | 1MDL2302358 |
| 01-0027 | EXHAUST AFTERTREATMENT | 1MDL2302359 |
| 01-0028 | ENGINE OVERHAUL PARTS | 1MDL2302361 |
| 01-0029 | SPECIAL OVERHAUL PARTS | 1MDL1725948 |

<https://www.ebooklibonline.com>

Hello dear friend!

Thank you very much for reading.

Enter the link into your browser.

The full manual is available for immediate download.

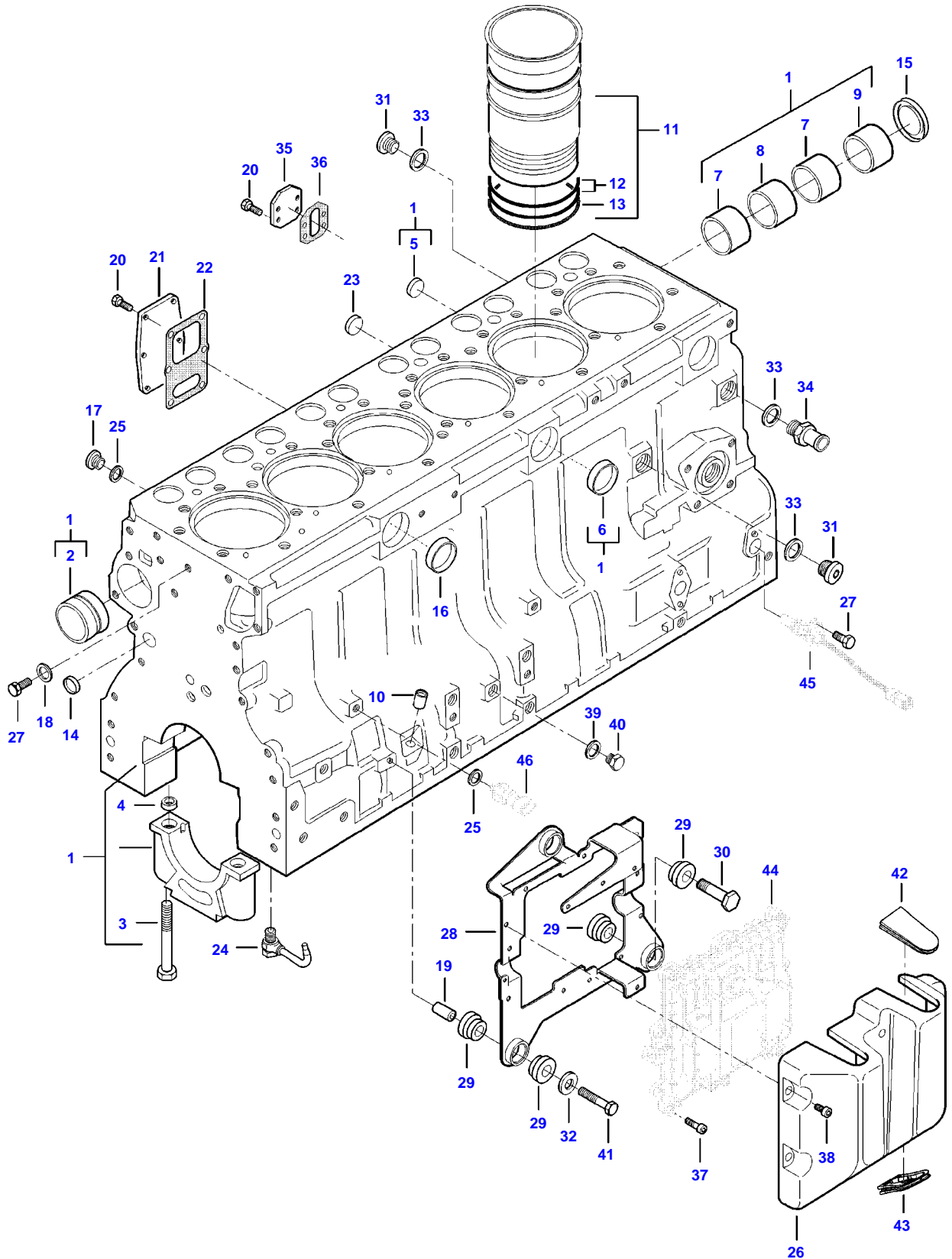
<https://www.ebooklibonline.com>

ENGINE ASSEMBLIES

| Item | Part Number | Qty | Description Comments | Technical Specification |
|------|-------------|-----|----------------------------|-------------------------|
| 1 | V835077149 | 1 | ENGINE | 74 AWF |
| 2 | V865091801V | 1 | LONG BLOCK ENGINE | 74 AWF |
| 3 | V865091610X | 1 | SHORT BLOCK ENGINE | 74 AWF |
| 4 | V837079921 | 1 | LABEL ENGINE TYPE PLATE | |

5255L COMBINE (STAGE 4 / TIER 4F & TIER 2) (555010001-221) (ZN205550X03010222-999)
AP1E2620

AP1E2620



CYLINDER BLOCK

| Item | Part Number | Qty | Description Comments |
|------|-------------|-----|--------------------------------------|
| 1 | V837084169 | 1 | CYLINDER BLOCK |
| 2 | V836866069 | 1 | CAMSHAFT BEARING BUSH (1) |
| 3 | V835329030 | 14 | HEX CAP SCREW (1) |
| 4 | V836214478 | 24 | GUIDE SLEEVE (1) |
| 5 | V640016018 | 1 | CUP PLUG (1) |
| 6 | V640016040 | 1 | CUP PLUG (1) |
| 7 | V836852460 | 2 | CAMSHAFT BEARING BUSH (1) |
| 8 | V837086315 | 1 | CAMSHAFT BEARING BUSH (1) |
| 9 | V836852461 | 1 | CAMSHAFT BEARING BUSH (1) |
| 10 | V640016012 | 1 | CUP PLUG |
| 11 | V836673191 | 6 | LINER |
| 12 | V836647502 | 12 | CYLINDER LINER O-RING (11) [B] |
| 13 | V836647503 | 6 | CYLINDER LINER O-RING (11) [B] |
| 14 | V640016016 | 4 | CUP PLUG |
| 15 | V836852744 | 1 | PLUG |
| 16 | V640016040 | 2 | CUP PLUG |
| 17 | V640325110 | 6 | SCREW PLUG |
| 18 | V836015967 | 1 | SEALING WASHER [B] |
| 19 | V836855626 | 2 | SPACER |
| 20 | V528801382 | 10 | HEX CAP SCREW |
| 21 | V836846444 | 1 | COVER |
| 22 | V836322852 | 1 | GASKET [B] |
| 23 | V640016018 | 1 | CUP PLUG |
| 24 | V837074224 | 6 | PISTON COOLING JET |
| 25 | V615871016 | 7 | SEALING WASHER [B] |
| 26 | V837084080 | 1 | COVER |
| 27 | V528801362 | 2 | HEX CAP SCREW |
| 28 | V837084081 | 1 | ECU BRACKET |
| 29 | V837084129 | 6 | DAMPER |
| 30 | V837069056 | 1 | HEX CAP SCREW |
| 31 | V640325018 | 2 | PLUG |
| 32 | V501950842 | 2 | WASHER |
| 33 | V615881822 | 3 | SEALING WASHER [B] |
| 34 | V836119837 | 1 | HOSE COUPLER |
| 35 | V836866957 | 1 | COVER |
| 36 | V836866958 | 1 | GASKET [B] |
| 37 | V581804222 | 8 | HEX SOCKET SCREW |
| 38 | V581804182 | 6 | HEX SOCKET SCREW |
| 39 | V615881216 | 1 | SEALING WASHER [B] |
| 40 | V640045112 | 1 | PLUG |
| 41 | V529801432 | 2 | HEX CAP SCREW |
| 42 | V837084136 | 2 | SHIELD |
| 43 | V837084661 | 1 | SHIELD |
| 44 | | 1 | SEE PAGE 01-0023 |
| 45 | | 1 | SEE PAGE 01-0023 |

Fendt

5255L COMBINE (STAGE 4 / TIER 4F & TIER 2) (555010001-221) (ZN205550X03010222-999)

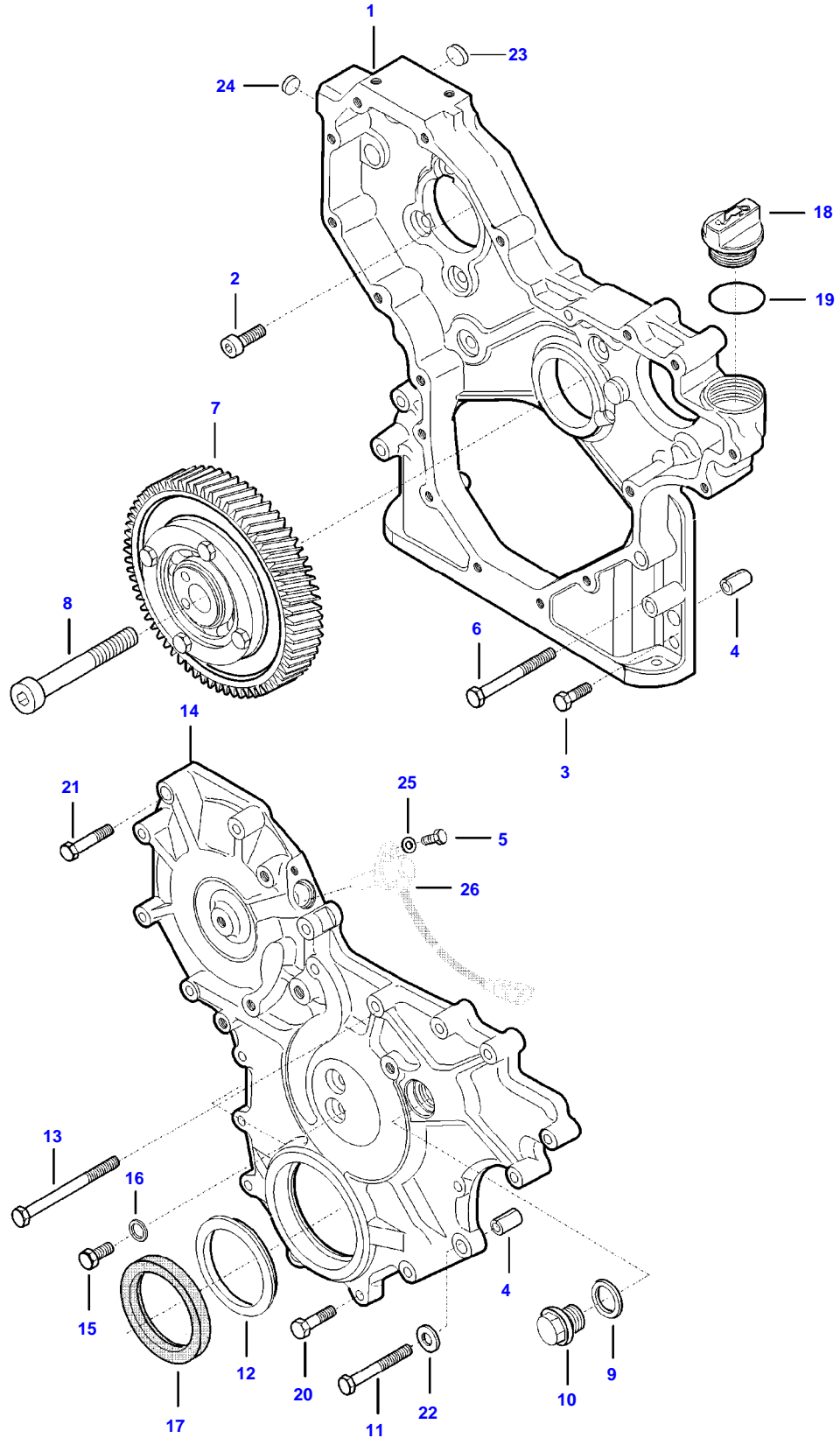
6246182

CYLINDER BLOCK

Page01-0002

| Item | Part Number | Qty | Description Comments |
|------|-------------|-----|--|
| 46 | | 1 | SEE PAGE 01-0023 [B] INCLUDED IN COMPLETE ENGINE GASKET KIT 2 |

AP2D1025



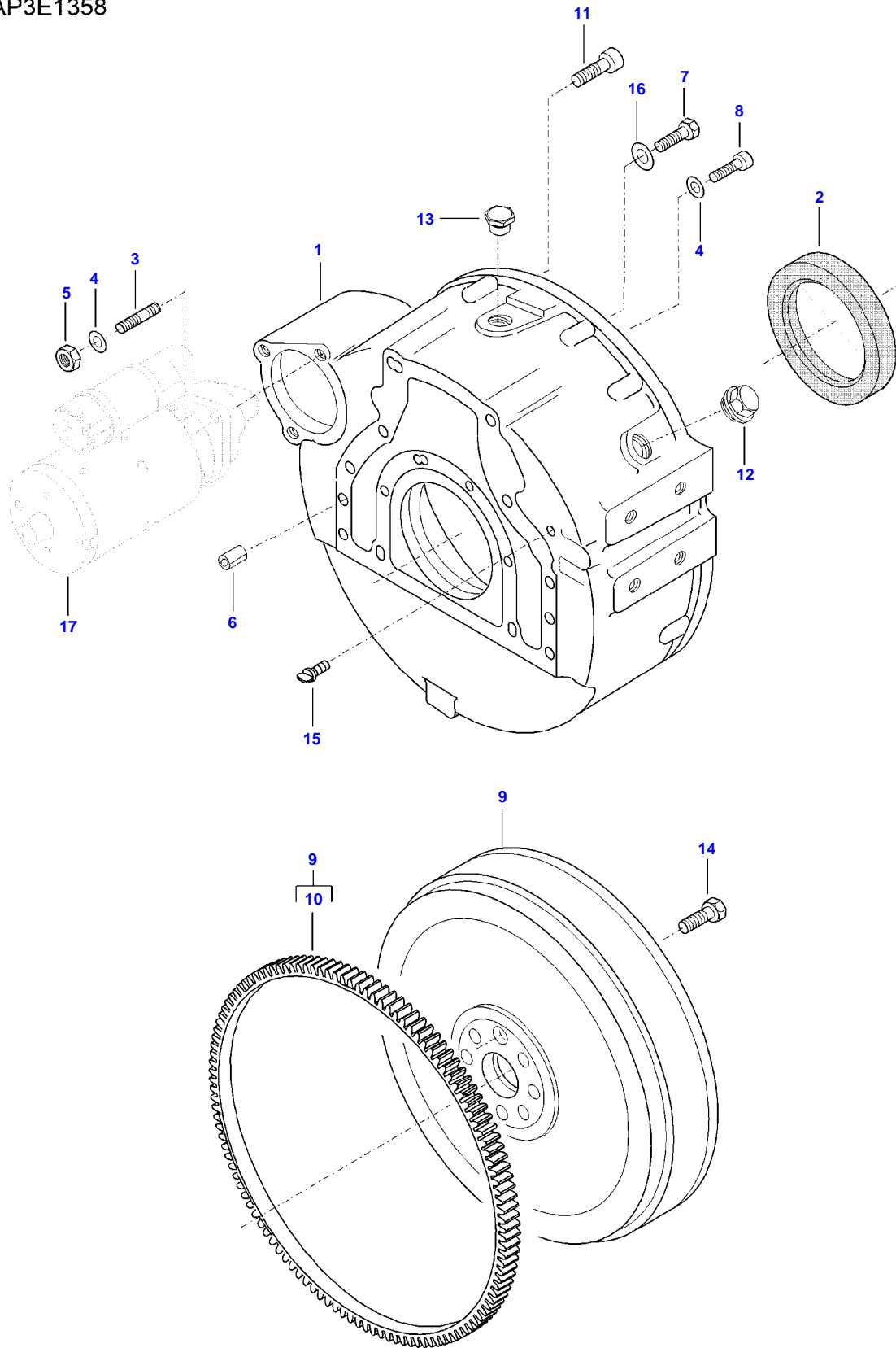
TIMING GEARS AND HOUSING

| Item | Part Number | Qty | Description Comments |
|------|-------------|-----|--------------------------|
| 1 | V837074705 | 1 | TIMING GEAR CASE |
| 2 | V581804602 | 10 | HEX SOCKET SCREW |
| 3 | V528801402 | 2 | HEX CAP SCREW |
| 4 | V598359850 | 3 | PIN |
| 5 | V528801062 | 1 | HEX CAP SCREW |
| 6 | V529801472 | 3 | HEX CAP SCREW |
| 7 | V837073583 | 1 | IDLER GEAR |
| 8 | V581705910 | 1 | HEX SOCKET SCREW |
| 9 | V615882227 | 1 | SEALING WASHER [B] |
| 10 | V640045022 | 1 | PLUG |
| 11 | V529801522 | 1 | HEX CAP SCREW |
| 12 | V836855636 | 1 | SHIELD |
| 13 | V529801542 | 1 | HEX CAP SCREW |
| 14 | V837074707 | 1 | GEAR HOUSING FRONT COVER |
| 15 | V528801382 | 2 | HEX CAP SCREW |
| 16 | V615870814 | 2 | SEALING WASHER [B] |
| 17 | V836840883 | 1 | CRANKSHAFT SEAL [B] |
| 18 | V837081106 | 1 | OIL FILLER CAP |
| 19 | V614603540 | 1 | O-RING [B] |
| 20 | V528801412 | 7 | HEX CAP SCREW |
| 21 | V529801442 | 10 | HEX CAP SCREW |
| 22 | V836120989 | 1 | WASHER |
| 23 | V640016020 | 1 | CUP PLUG |
| 24 | V640016016 | 1 | CUP PLUG |
| 25 | V500150642 | 1 | WASHER |
| 26 | | 1 | |

SEE PAGE 01-0023

[B] INCLUDED IN COMPLETE ENGINE GASKET KIT 2

AP3E1358



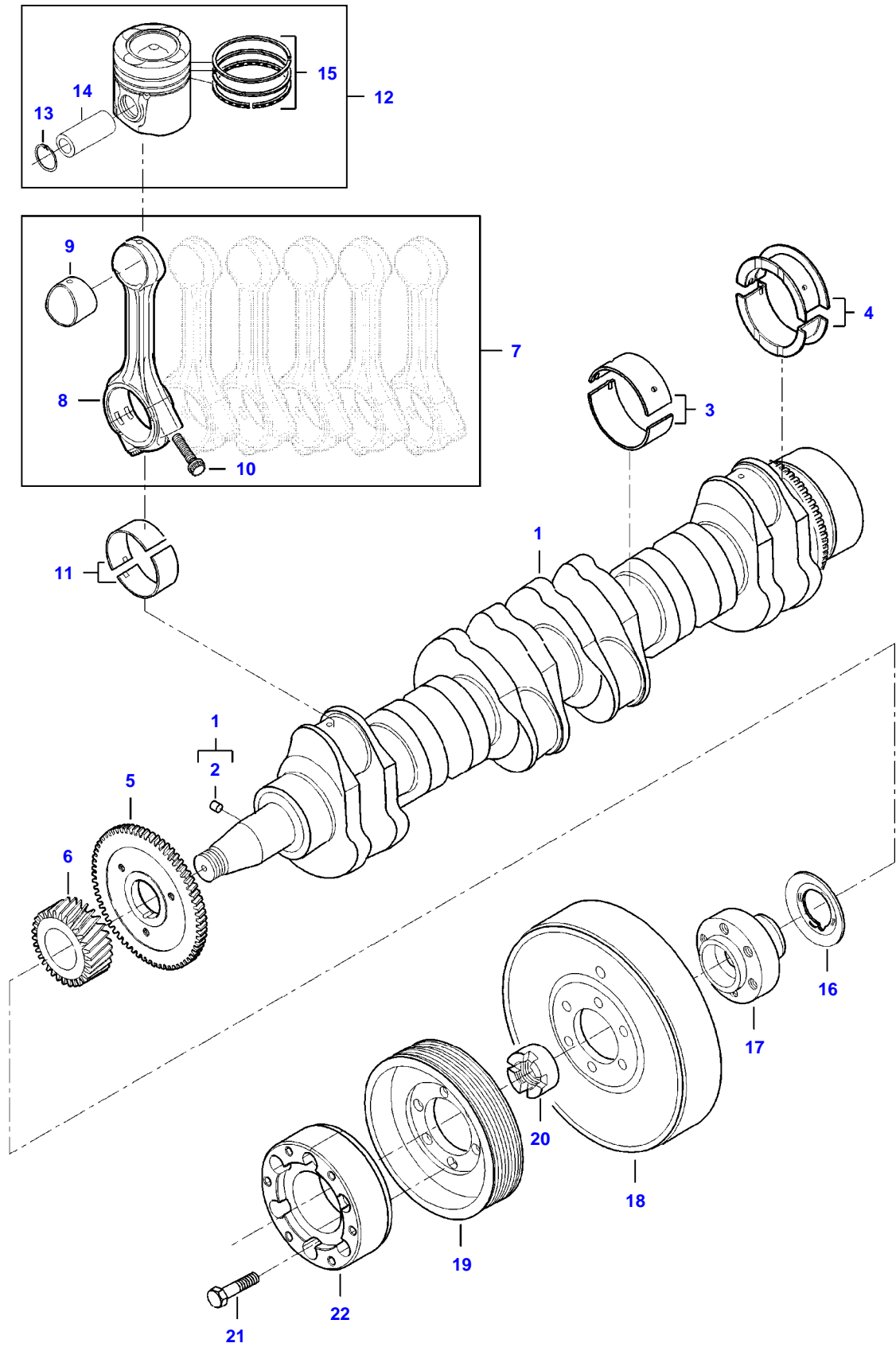
FLYWHEEL AND HOUSING

| Item | Part Number | Qty | Description Comments |
|------|-------------|-----|-------------------------|
| 1 | V836647440 | 1 | FLYWHEEL HOUSING |
| 2 | V837091172 | 1 | CRANKSHAFT SEAL [B] |
| 3 | V546801810 | 3 | STUD BOLT |
| 4 | V500951002 | 6 | SPRING WASHER |
| 5 | V504601002 | 3 | NUT |
| 6 | V598359850 | 2 | PIN |
| 7 | V528702220 | 6 | HEX CAP SCREW |
| 8 | V581705030 | 6 | HEX SOCKET SCREW |
| 9 | V836655066 | 1 | FLYWHEEL |
| 10 | V836117970 | 1 | STARTER RING (9) |
| 11 | V581705440 | 2 | HEX SOCKET SCREW |
| 12 | V640045126 | 1 | PLUG |
| 13 | V836019756 | 1 | PLUG |
| 14 | V528702230 | 8 | HEX CAP SCREW |
| 15 | V836859311 | 1 | PLUG |
| 16 | V500951202 | 6 | SPRING WASHER |
| 17 | | 1 | |

SEE PAGE 01-0025

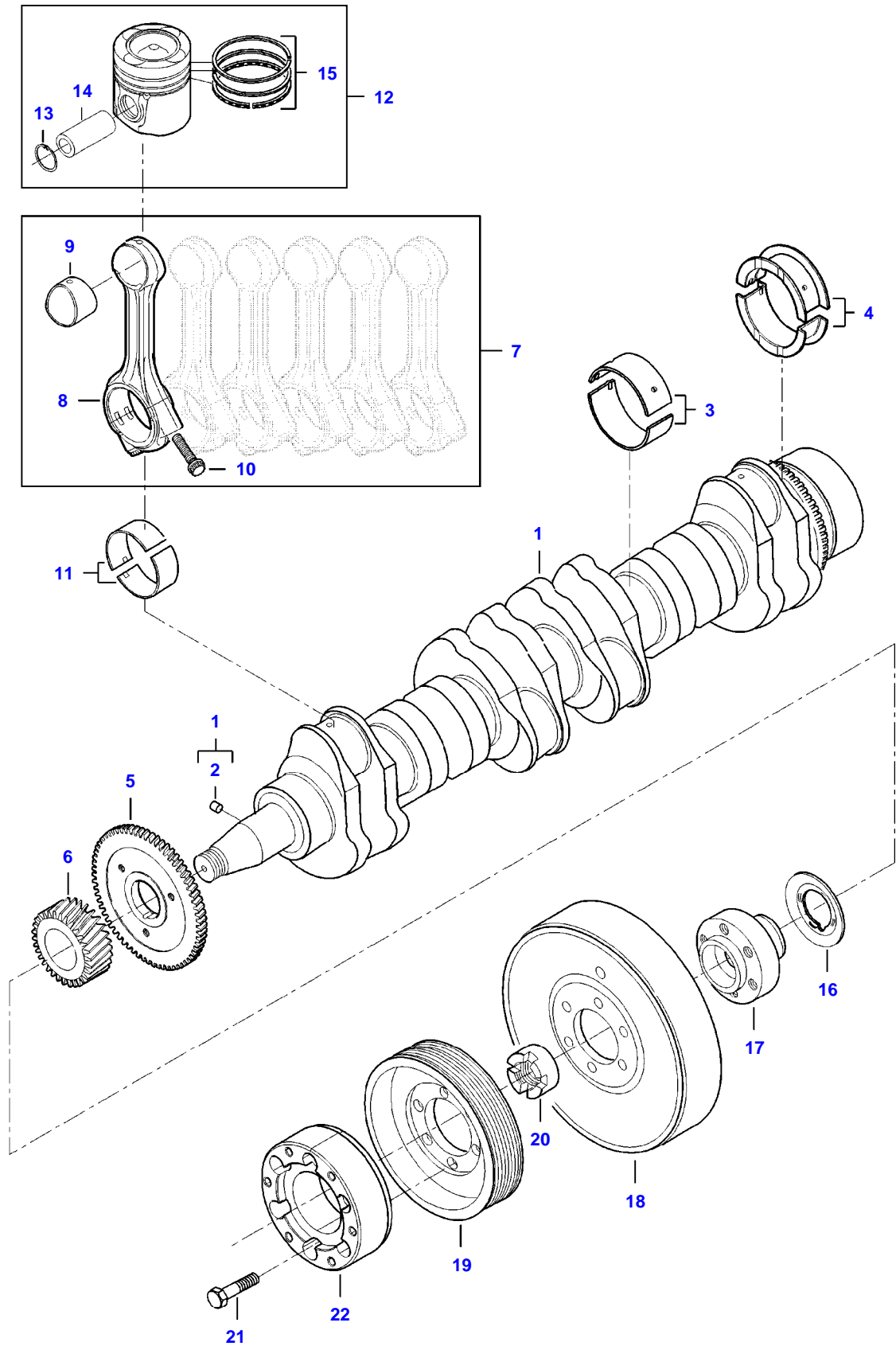
[B] INCLUDED IN COMPLETE ENGINE GASKET KIT 2

AP4F1882



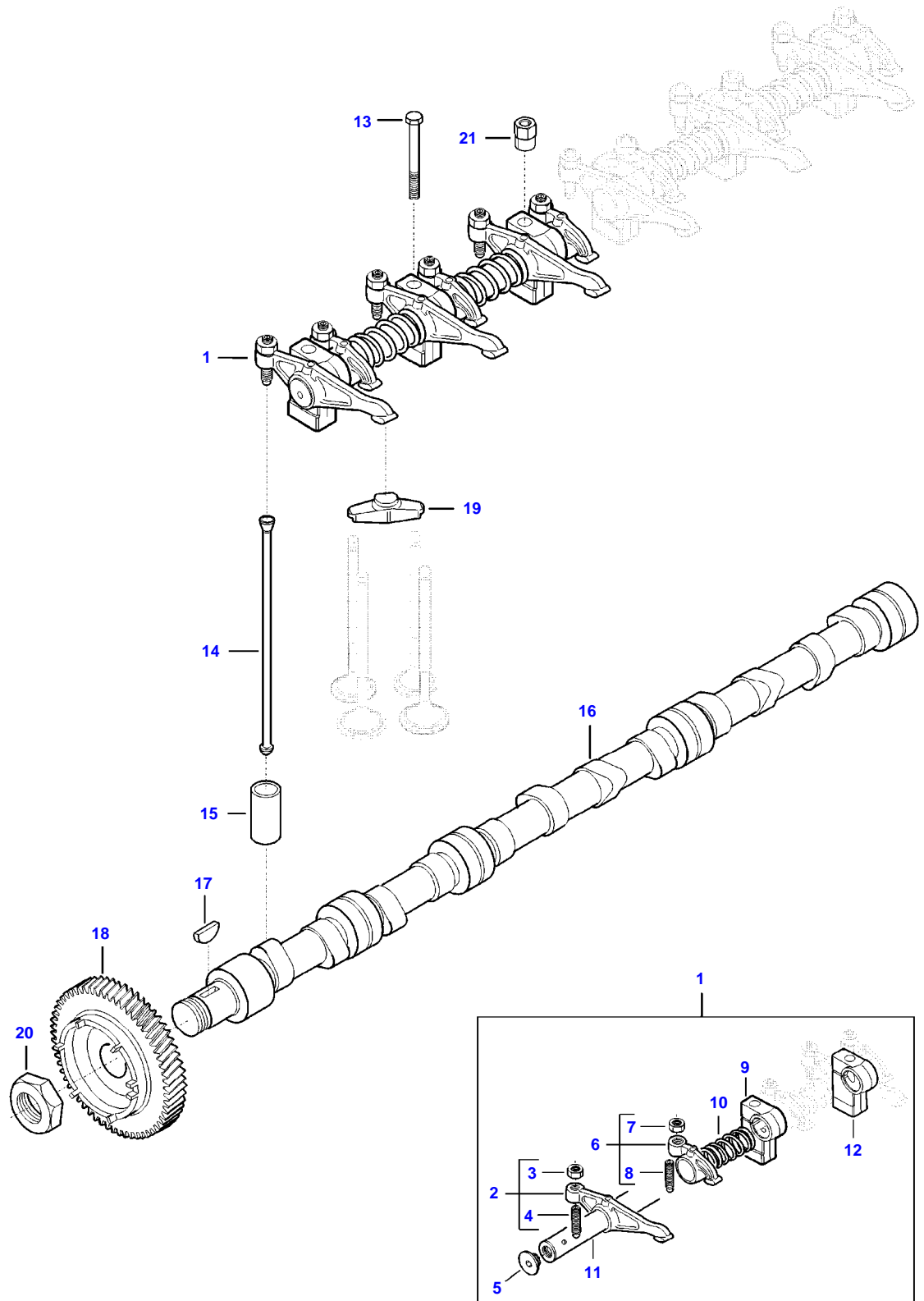
| Item | Part Number | Qty | Description Comments | Technical Specification |
|------|-------------|-----|--------------------------------------|-------------------------|
| 1 | V837073985 | 1 | CRANKSHAFT | |
| 2 | V836867857 | 1 | KEY (1) | |
| 3 | V836840944 | 6 | MAIN BEARING | STD |
| 4 | V836879152 | 1 | MAIN BEARING | STD |
| 5 | V836674069 | 1 | GEAR,CRANKSHAFT | |
| 6 | V837073560 | 1 | GEAR,CRANKSHAFT | |
| 7 | V836840928 | 1 | CONNECTING ROD KIT | |
| 8 | | 6 | NOT AVAILABLE AS SINGLE PART (7) | |
| 9 | V836110646 | 6 | BEARING BUSH (7),(8) | STD |
| 10 | V836864141 | 12 | CONNECTING ROD BOLT (7),(8) | |
| 11 | V836179781 | 6 | CONROD BEARING | STD |
| 12 | V837074082 | 6 | PISTON | |
| 13 | | 12 | NOT AVAILABLE AS SINGLE PART (12) | |
| 14 | | 6 | NOT AVAILABLE AS SINGLE PART (12) | |
| 15 | V837079460 | 6 | PISTON RING KIT (12) | |
| 16 | V836855637 | 1 | RING | |
| 17 | V837073679 | 1 | CRANKSHAFT HUB | |
| 18 | V836884615 | 1 | CRANKSHAFT VIBRATION DAMPENER | |
| 19 | V836855690 | 1 | CRANKSHAFT PULLEY | |
| 20 | V836847641 | 1 | CRANKSHAFT NUT | |
| 21 | V581705490 | 6 | HEX SOCKET SCREW | |
| 22 | V837070345 | 1 | SPACER | |

AP4F1882



| Item | Part Number | Qty | Description Comments | Technical Specification |
|------|-------------|-----|--------------------------------------|-------------------------|
| 1 | V837073985 | 1 | CRANKSHAFT | |
| 2 | V836867857 | 1 | KEY (1) | |
| 3 | V836840944 | 6 | MAIN BEARING | STD |
| 4 | V836879152 | 1 | MAIN BEARING | STD |
| 5 | V836674069 | 1 | GEAR,CRANKSHAFT | |
| 6 | V837073560 | 1 | GEAR,CRANKSHAFT | |
| 7 | V836840928 | 1 | CONNECTING ROD KIT | |
| 8 | | 6 | NOT AVAILABLE AS SINGLE PART (7) | |
| 9 | V836110646 | 6 | BEARING BUSH (7),(8) | STD |
| 10 | V836864141 | 12 | CONNECTING ROD BOLT (7),(8) | |
| 11 | V836179781 | 6 | CONROD BEARING | STD |
| 12 | V837086209 | 6 | PISTON | |
| 13 | | 12 | NOT AVAILABLE AS SINGLE PART (12) | |
| 14 | | 6 | NOT AVAILABLE AS SINGLE PART (12) | |
| 15 | V837079460 | 6 | PISTON RING KIT (12) | |
| 16 | ACW3520650 | 1 | RING | |
| 17 | V837073679 | 1 | CRANKSHAFT HUB | |
| 18 | V836884615 | 1 | CRANKSHAFT VIBRATION DAMPENER | |
| 19 | V836855690 | 1 | CRANKSHAFT PULLEY | |
| 20 | V836847641 | 1 | CRANKSHAFT NUT | |
| 21 | V581705490 | 6 | HEX SOCKET SCREW | |
| 22 | V837070345 | 1 | SPACER | |

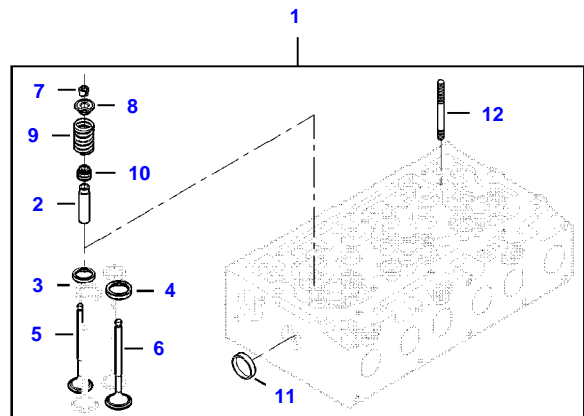
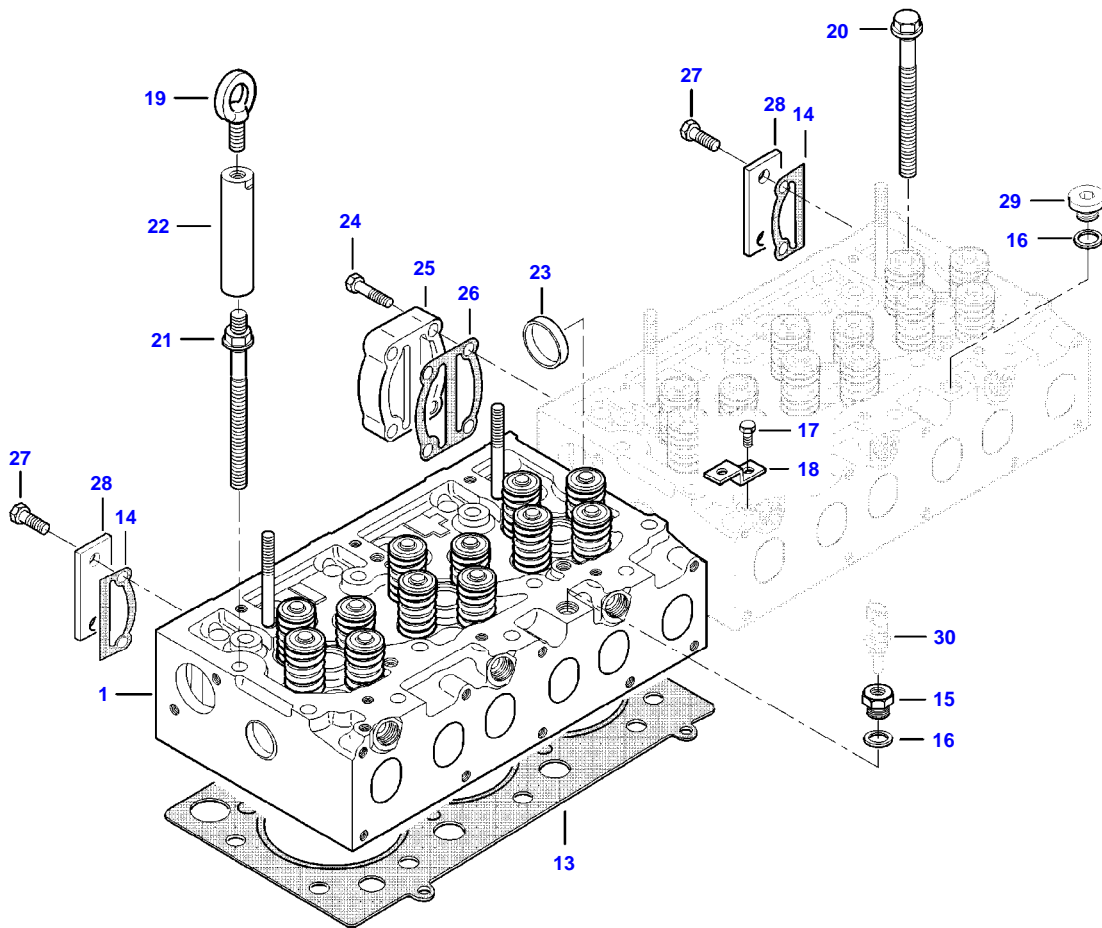
AP5E1940



CAMSHAFT AND VALVE MECHANISM

| Item | Part Number | Qty | Description Comments |
|------|-------------|-----|--|
| 1 | V837069016 | 2 | ROCKER SHAFT ASM |
| 2 | V837069011 | 6 | ROCKER ARM (1) |
| 3 | V512861000 | 6 | NUT (1),(2) |
| 4 | V837069023 | 6 | VALVE ROCKER ADJUSTMENT SCREW (1),(2) |
| 5 | V837069020 | 4 | PLUG (1) |
| 6 | V837069013 | 6 | ROCKER ARM (1) |
| 7 | V512861000 | 6 | NUT (1),(6) |
| 8 | V837069023 | 6 | VALVE ROCKER ADJUSTMENT SCREW (1),(6) |
| 9 | V837069018 | 2 | ROCKER SHAFT BRACKET (1) |
| 10 | V837069019 | 4 | SPRING (1) |
| 11 | V837069015 | 2 | SHAFT (1) |
| 12 | V837069017 | 4 | ROCKER SHAFT BRACKET (1) |
| 13 | V529801912 | 2 | HEX CAP SCREW |
| 14 | V837084417 | 12 | PUSH ROD |
| 15 | V836014264 | 12 | TAPPET |
| 16 | V837069101 | 1 | CAMSHAFT |
| 17 | V603305760 | 1 | WOODRUFF KEY |
| 18 | V837073562 | 1 | GEAR,CAMSHAFT |
| 19 | V837073089 | 12 | VALVE BRIDGE |
| 20 | V837069085 | 1 | NUT |
| 21 | V836655406 | 4 | SLEEVE NUT |

AP6F2123



CYLINDER HEAD

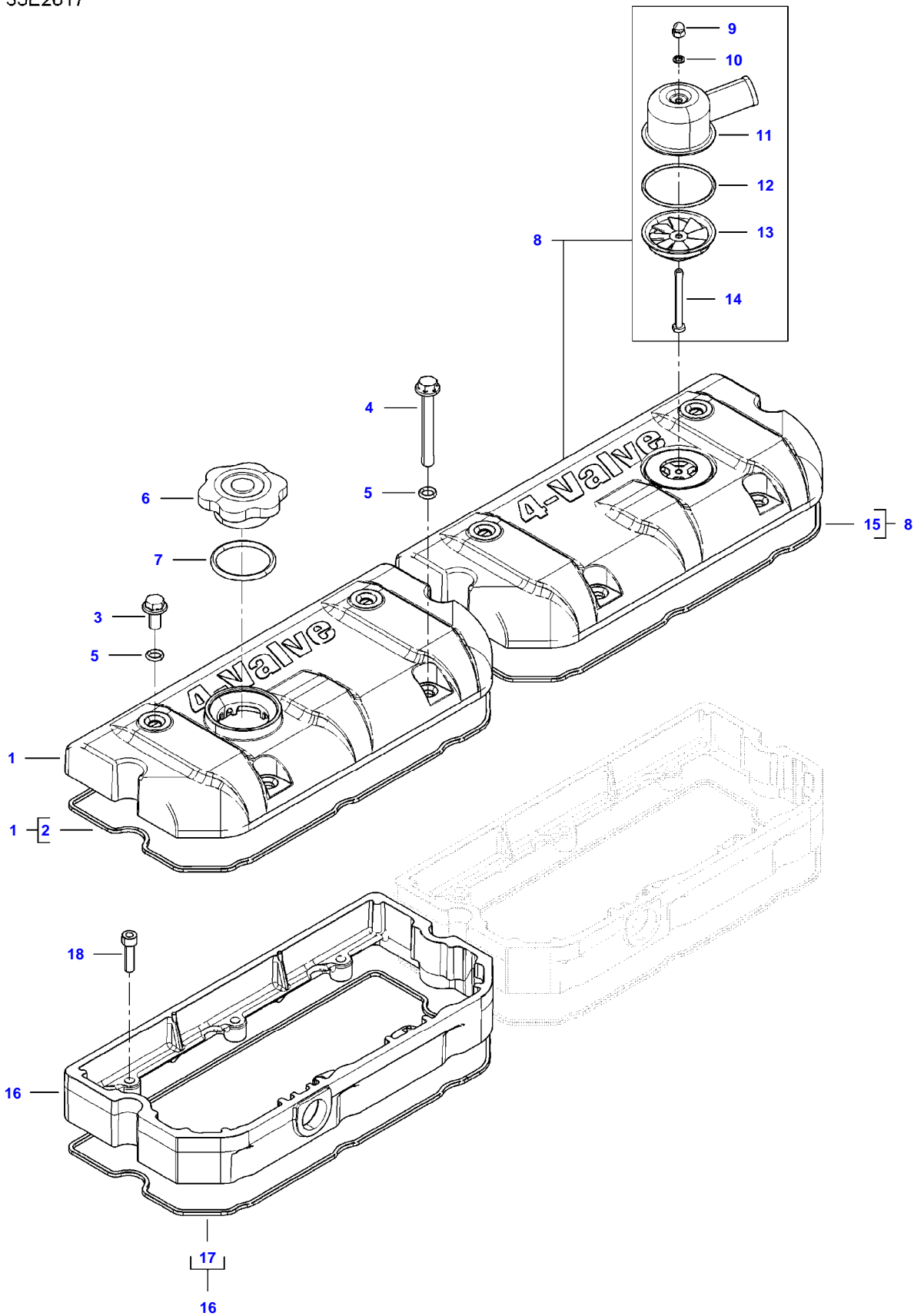
| Item | Part Number | Qty | Description Comments | Technical Specification |
|------|-------------|-----|-----------------------------|-------------------------|
| 1 | V837073233 | 2 | CYLINDER HEAD | |
| 2 | V837073174 | 24 | VALVE GUIDE (1) | |
| 3 | V837064907 | 12 | VALVE SEAT (1) | STD 4V EXHAUST |
| 4 | V837064908 | 12 | VALVE SEAT (1) | STD 4V INTAKE |
| 5 | V837069002 | 12 | EXHAUST VALVE (1) | |
| 6 | V837069003 | 12 | INTAKE VALVE (1) | |
| 7 | V837064910 | 48 | COTTER (1) | |
| 8 | V837069004 | 24 | SPRING PLATE (1) | |
| 9 | V837069005 | 24 | VALVE SPRING (1) | |
| 10 | V837073165 | 24 | VALVE STEM GASKET (1) | |
| 11 | V836647942 | 8 | CUP PLUG (1) | |
| 12 | V546901900 | 4 | STUD BOLT (1) | |
| 13 | V837084523 | 2 | CYLINDER HEAD GASKET [A] | |
| 14 | V836867753 | 2 | GASKET [A] | |
| 15 | V837086509 | 1 | THREADED NIPPLE | |
| 16 | V615881822 | 2 | SEALING WASHER [A] | |
| 17 | V528801360 | 1 | HEX CAP SCREW | |
| 18 | V836747849 | 1 | SUPPORT | |
| 19 | V836640752 | 2 | LIFT EYE | |
| 20 | V837069025 | 32 | CYLINDER HEAD BOLT | |
| 21 | V837073571 | 2 | CYLINDER HEAD BOLT | |
| 22 | V836867567 | 2 | LIFTING EYE EXTENSION | |
| 23 | V640016045 | 1 | CUP PLUG | |
| 24 | V528801820 | 4 | HEX CAP SCREW | |
| 25 | V836855348 | 1 | CONNECTION FLANGE | |
| 26 | V836867752 | 1 | GASKET [A] | |
| 27 | V528801800 | 4 | HEX CAP SCREW | |
| 28 | V836855350 | 2 | BLOCK OFF PLATE | |
| 29 | V640325018 | 1 | PLUG | |
| 30 | | 1 | | |

SEE PAGE 01-0023

[A] INCLUDED IN CYLINDER HEAD GASKET KIT 1

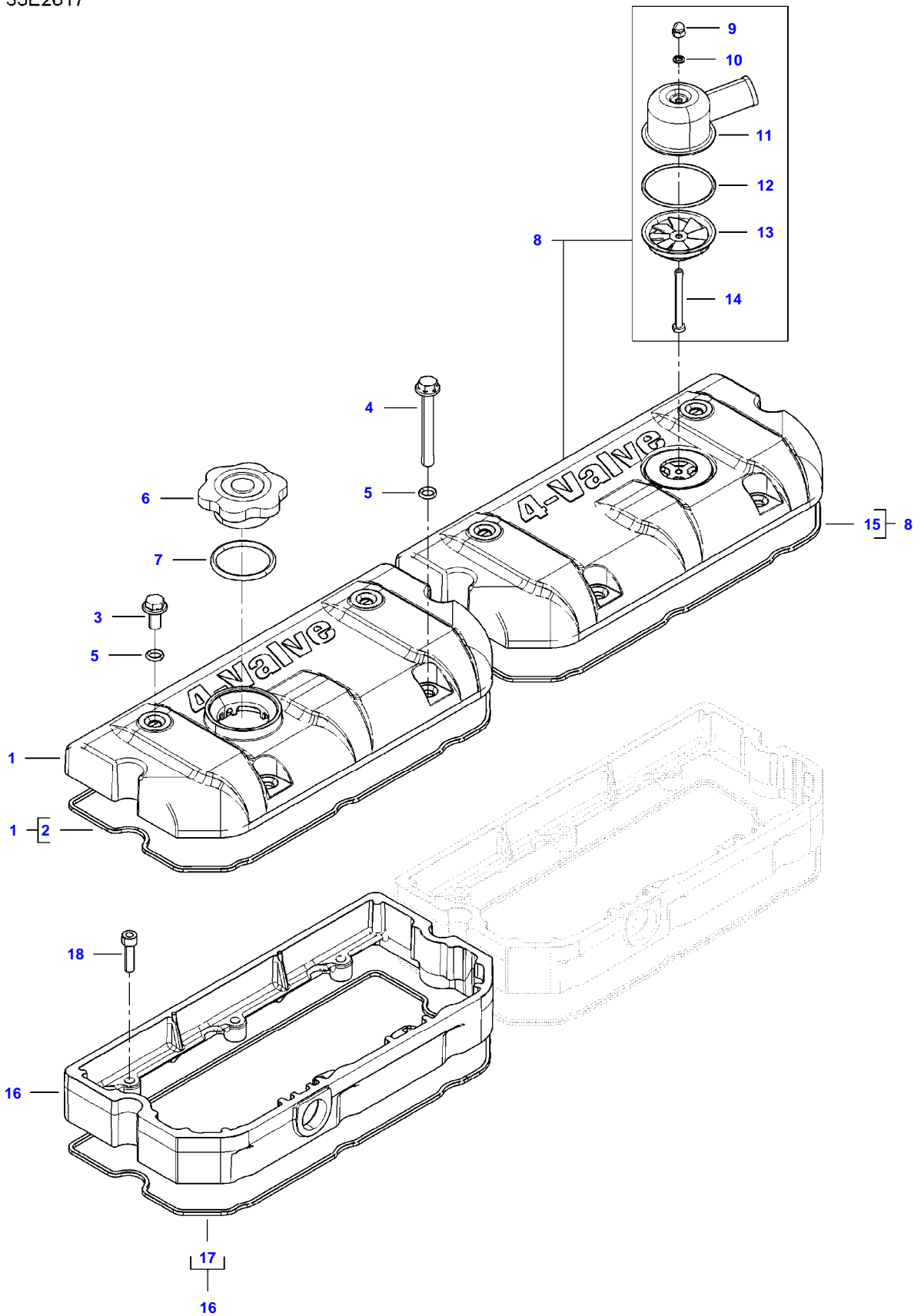
5255L COMBINE (STAGE 4 / TIER 4F & TIER 2) (555010001-221) (ZN205550X03010222-999)
AP35E2617

AP35E2617



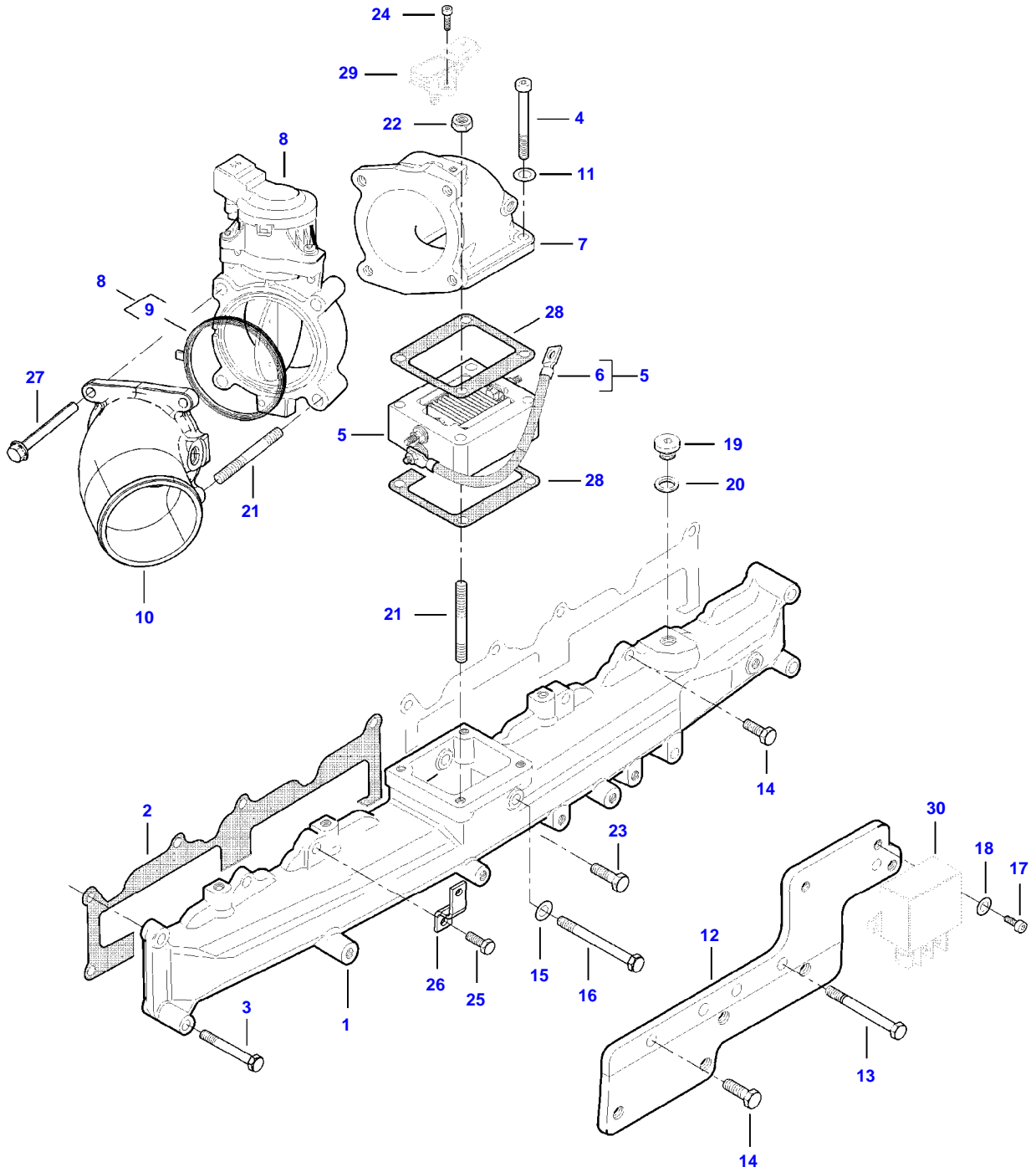
| Item | Part Number | Qty | Description Comments |
|------|-------------|-----|--|
| 1 | V837084222 | 1 | VALVE ROCKER COVER |
| 2 | V837067881 | 1 | VALVE ROCKER COVER GASKET (1) [A] |
| 3 | V540801780 | 4 | HEXAGON FLANGE BOLT |
| 4 | V540801910 | 4 | HEXAGON FLANGE BOLT |
| 5 | V614901030 | 8 | O-RING [A] |
| 6 | V836659968 | 1 | OIL FILLER CAP |
| 7 | V614704850 | 1 | O-RING [A] |
| 8 | V837084221 | 1 | VALVE ROCKER COVER |
| 9 | V519600602 | 1 | NUT (8) |
| 10 | V836667508 | 1 | SEALING WASHER (8) |
| 11 | V837070442 | 1 | BREATHER CAP (8) |
| 12 | V836667459 | 1 | GASKET (8) |
| 13 | V837070443 | 1 | BREATHER (8) |
| 14 | V528801172 | 1 | HEX CAP SCREW (8) |
| 15 | V837067881 | 1 | VALVE ROCKER COVER GASKET (8) [A] |
| 16 | V837084220 | 2 | VALVE ROCKER COVER FRAME |
| 17 | V837067881 | 2 | VALVE ROCKER COVER GASKET (16) [A] |
| 18 | V581804630 | 6 | HEX SOCKET SCREW [A] INCLUDED IN CYLINDER HEAD GASKET KIT 1 |

AP35E2617



| Item | Part Number | Qty | Description Comments |
|------|-------------|-----|--|
| 1 | V837086527 | 1 | VALVE ROCKER COVER |
| 2 | V837067881 | 1 | VALVE ROCKER COVER GASKET (1) [A] |
| 3 | V540801780 | 4 | HEXAGON FLANGE BOLT |
| 4 | V540801910 | 4 | HEXAGON FLANGE BOLT |
| 5 | V614901030 | 8 | O-RING [A] |
| 6 | V836659968 | 1 | OIL FILLER CAP |
| 7 | V614704850 | 1 | O-RING [A] |
| 8 | V837086137 | 1 | VALVE ROCKER COVER |
| 9 | V519600602 | 1 | NUT (8) |
| 10 | V836684766 | 1 | SEALING WASHER (8) |
| 11 | V837070442 | 1 | BREATHER CAP (8) |
| 12 | V614605930 | 1 | O-RING (8) |
| 13 | V837070443 | 1 | BREATHER (8) |
| 14 | V528801172 | 1 | HEX CAP SCREW (8) |
| 15 | V837067881 | 1 | VALVE ROCKER COVER GASKET (8) [A] |
| 16 | V837084220 | 2 | VALVE ROCKER COVER FRAME |
| 17 | V837067881 | 2 | VALVE ROCKER COVER GASKET (16) [A] |
| 18 | V581804630 | 6 | HEX SOCKET SCREW [A] INCLUDED IN CYLINDER HEAD GASKET KIT 1 |

AP7E2616

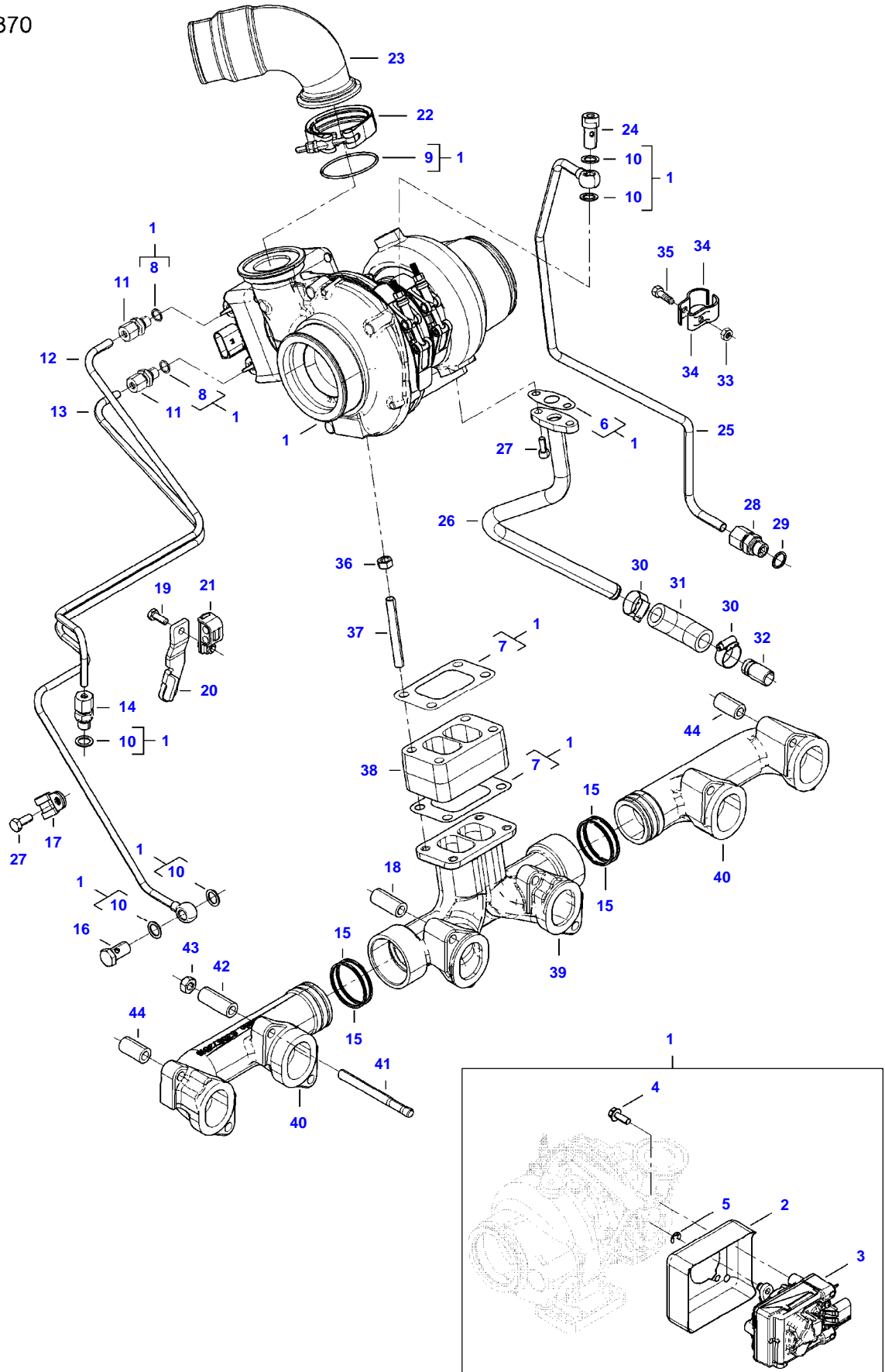


INTAKE MANIFOLD

| Item | Part Number | Qty | Description Comments |
|------|-------------|-----|--|
| 1 | V837070219 | 1 | INTAKE MANIFOLD |
| 2 | V837069009 | 2 | INTAKE MANIFOLD GASKET [A] |
| 3 | V529801470 | 1 | HEX CAP SCREW |
| 4 | V581804702 | 3 | HEX SOCKET SCREW |
| 5 | V837067295 | 1 | INTAKE AIR PREHEATER |
| 6 | ACP0427330 | 1 | GROUND WIRE (5) |
| 7 | V837084350 | 1 | AIR INTAKE PIPE |
| 8 | V837084452 | 1 | THROTTLE FLAP |
| 9 | V837079849 | 2 | GASKET (8) [A] |
| 10 | V837084407 | 1 | AIR PIPE |
| 11 | V500150842 | 5 | WASHER |
| 12 | V837084111 | 1 | FUEL FILTER BRACKET |
| 13 | V529801530 | 2 | HEX CAP SCREW |
| 14 | V528801402 | 5 | HEX CAP SCREW |
| 15 | V836684767 | 1 | SEALING WASHER [A] |
| 16 | V529801550 | 1 | HEX CAP SCREW |
| 17 | V581804182 | 2 | HEX SOCKET SCREW |
| 18 | V500050642 | 2 | WASHER |
| 19 | V640325014 | 1 | PLUG |
| 20 | V615881420 | 1 | SEALING WASHER [A] |
| 21 | V546801492 | 2 | STUD BOLT |
| 22 | V504800800 | 2 | NUT |
| 23 | V528801410 | 6 | HEX CAP SCREW |
| 24 | V528801062 | 1 | HEX CAP SCREW |
| 25 | V528801422 | 1 | HEX CAP SCREW |
| 26 | V836747849 | 1 | SUPPORT |
| 27 | V540801490 | 3 | HEXAGON FLANGE BOLT |
| 28 | V837067345 | 2 | GASKET [A] |
| 29 | | 1 | SEE PAGE 01-0023 |
| 30 | | 1 | SEE PAGE 01-0023 [A] INCLUDED IN CYLINDER HEAD GASKET KIT 1 |

5255L COMBINE (STAGE 4 / TIER 4F & TIER 2) (555010001-221) (ZN205550X03010222-999)
AP9E1370

AP9E1370

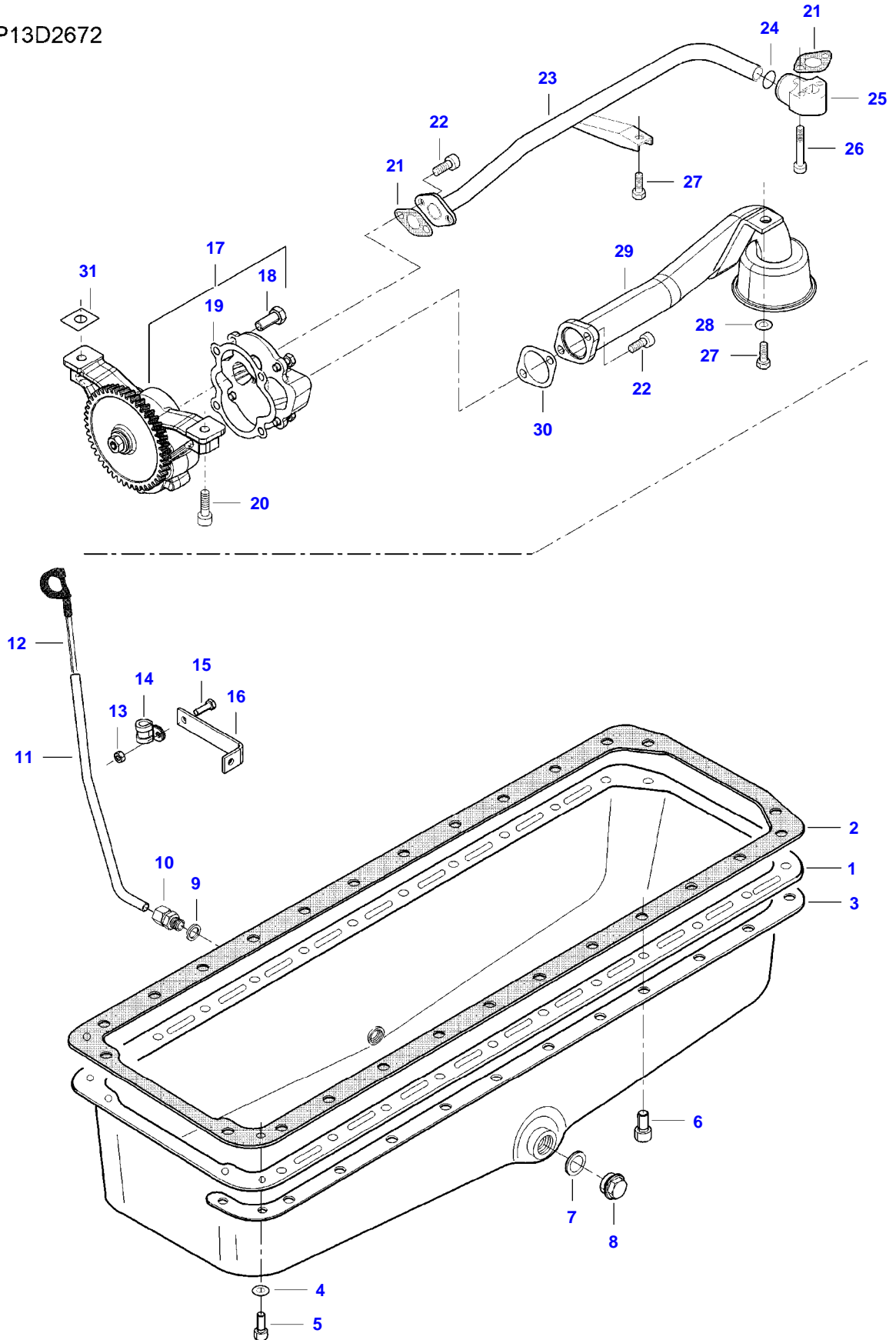


TURBOCHARGER AND EXHAUST MANIFOLD

| Item | Part Number | Qty | Description Comments |
|------|-------------|-----|-----------------------------------|
| 1 | V837079854 | 1 | KIT, TURBOCHARGR |
| 2 | V837091123 | 1 | HEATSHIELD (1) |
| 3 | V837091110 | 1 | ACTUATOR (1) |
| 4 | V837091127 | 3 | HEXAGON FLANGE BOLT (1) |
| 5 | V837079945 | 1 | LOCK RING (1) |
| 6 | ACW3397620 | 1 | GASKET (1) [A] |
| 7 | V836316726 | 2 | GASKET (1) [A] |
| 8 | V615881218 | 2 | SEALING WASHER (1) [A] |
| 9 | V614606225 | 1 | O-RING (1) [A] |
| 10 | V615881420 | 5 | SEALING WASHER (1) [A] |
| 11 | V641086008 | 2 | STRAIGHT FITTING |
| 12 | V836884177 | 1 | WATER PIPE |
| 13 | V836884176 | 1 | WATER PIPE |
| 14 | V641096008 | 1 | STRAIGHT FITTING |
| 15 | V836316519 | 4 | SEALING WASHER [A] |
| 16 | V640435010 | 1 | BANJO BOLT |
| 17 | V602060608 | 1 | RETAINER CLAMP |
| 18 | V836652803 | 1 | SPACER PIECE |
| 19 | V528801062 | 1 | HEX CAP SCREW |
| 20 | V837084763 | 1 | SUPPORT |
| 21 | V837073721 | 2 | RETAINER CLAMP |
| 22 | V836866454 | 1 | V CLAMP |
| 23 | V836866381 | 1 | BOOST PIPE |
| 24 | V837084079 | 1 | BANJO BOLT |
| 25 | V836884174 | 1 | TURBOCHARGER LUBRICATION OIL PIPE |
| 26 | V836884175 | 1 | TURBOCHARGER LUBRICATION OIL PIPE |
| 27 | V581804602 | 3 | HEX SOCKET SCREW |
| 28 | V641096010 | 1 | STRAIGHT FITTING |
| 29 | V615881620 | 1 | SEALING WASHER [A] |
| 30 | V602087528 | 2 | HOSE CLIP |
| 31 | V836647576 | 1 | RUBBER ELBOW |
| 32 | V837084240 | 1 | OIL PIPE |
| 33 | V504600602 | 1 | NUT |
| 34 | V836773645 | 2 | PIPE CLAMP HALF |
| 35 | V529801112 | 1 | HEX CAP SCREW |
| 36 | V521801000 | 4 | NUT |
| 37 | V546701900 | 4 | STUD BOLT |
| 38 | V837070340 | 1 | FLANGE |
| 39 | V836873517 | 1 | EXHAUST MANIFOLD |
| 40 | V836873516 | 2 | EXHAUST MANIFOLD |
| 41 | V836859188 | 12 | STUD BOLT |
| 42 | V836664013 | 7 | SPACER PIECE |
| 43 | V513601002 | 12 | NUT |
| 44 | V836664012 | 4 | SPACER PIECE |

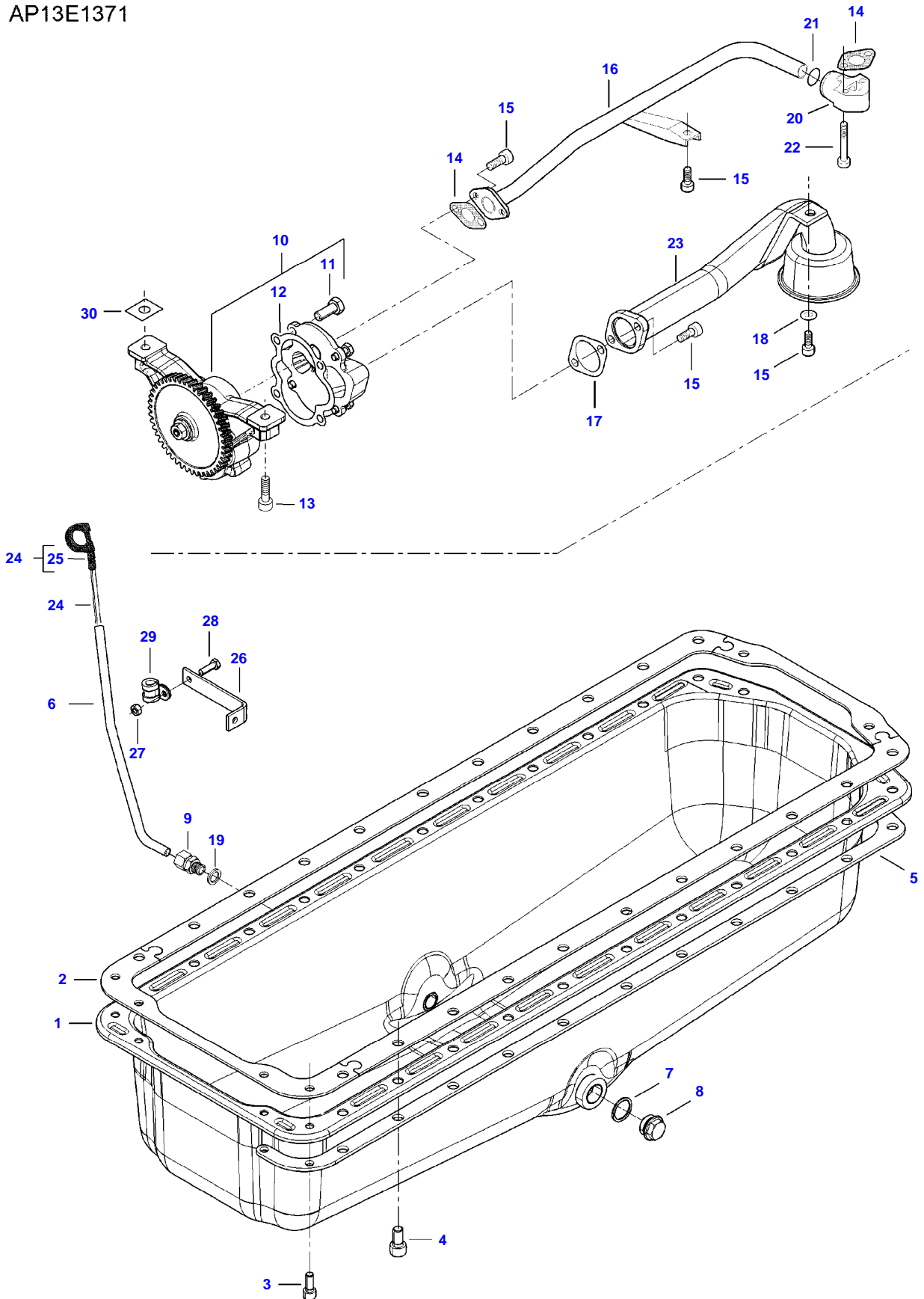
[A] INCLUDED IN CYLINDER HEAD GASKET KIT 1

AP13D2672



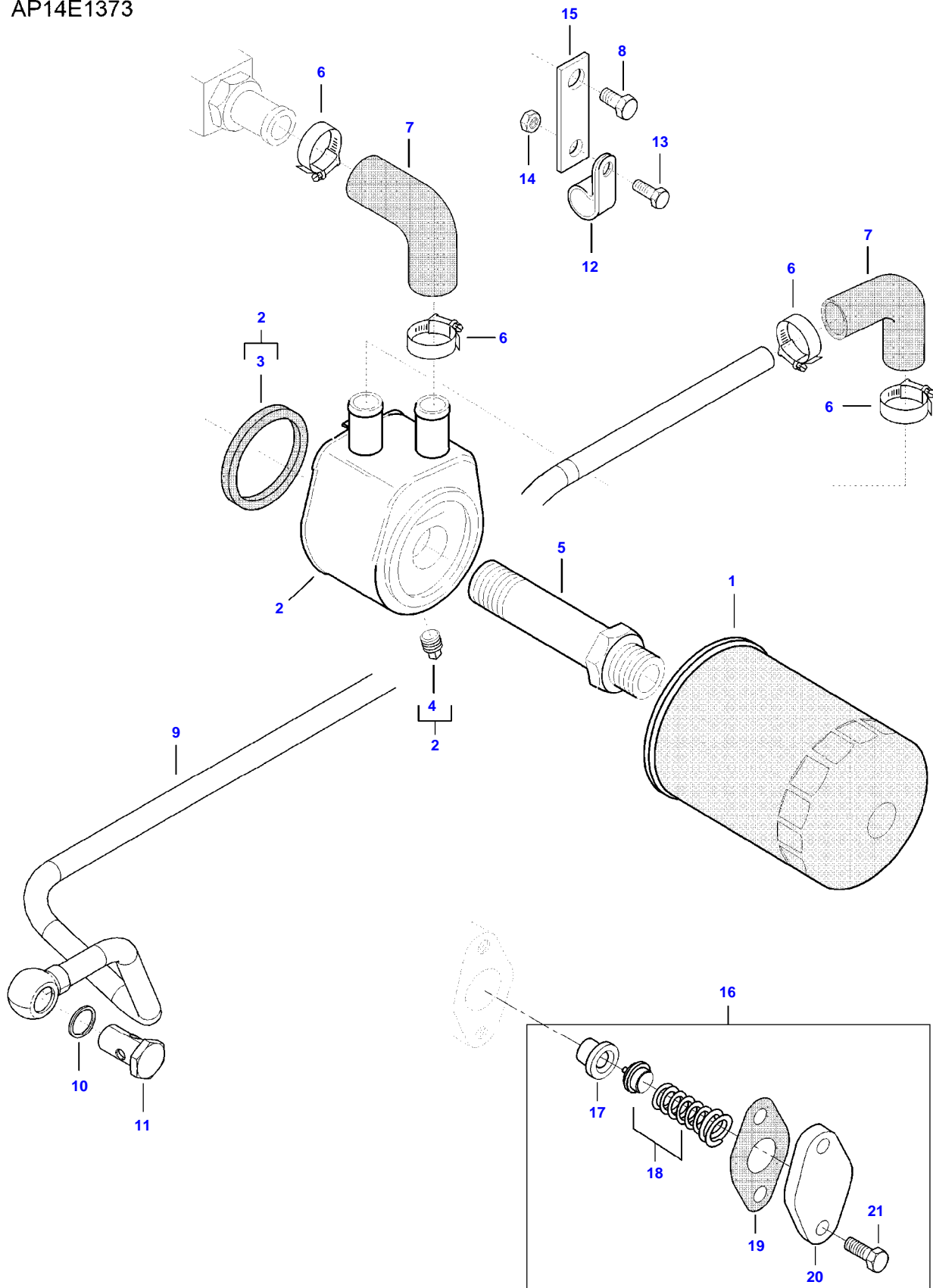
| Item | Part Number | Qty | Description Comments |
|------|-------------|-----|---|
| 1 | V836347308 | 1 | OIL SUMP |
| 2 | V836322538 | 1 | OIL SUMP GASKET [B] |
| 3 | V836884179 | 2 | PLATE |
| 4 | V500950800 | 4 | SPRING WASHER |
| 5 | V580804600 | 4 | HEX SOCKET SCREW |
| 6 | V580805000 | 24 | HEX SOCKET SCREW |
| 7 | V615882227 | 1 | SEALING WASHER [B] |
| 8 | V640045022 | 1 | PLUG |
| 9 | V615881622 | 1 | SEALING WASHER [B] |
| 10 | V641086012 | 1 | STRAIGHT FITTING |
| 11 | V836867889 | 1 | OIL DIPSTICK GUIDE PIPE |
| 12 | V836867888 | 1 | DIPSTICK |
| 13 | V504800800 | 1 | NUT |
| 14 | V602060612 | 1 | RETAINER CLAMP |
| 15 | V528801402 | 2 | HEX CAP SCREW |
| 16 | V836859955 | 1 | SUPPORT |
| 17 | V836855300 | 1 | LUBRICATING OIL PUMP |
| 18 | V528801382 | 4 | HEX CAP SCREW (17) |
| 19 | V836338188 | 1 | GASKET (17) [B] |
| 20 | V581805050 | 2 | HEX SOCKET SCREW |
| 21 | V836008449 | 2 | GASKET [B] |
| 22 | V581804602 | 4 | HEX SOCKET SCREW |
| 23 | V836866569 | 1 | OIL PIPE |
| 24 | V614702230 | 1 | O-RING [B] |
| 25 | V836866563 | 1 | ADAPTER FLANGE |
| 26 | V581804680 | 2 | HEX SOCKET SCREW |
| 27 | V528801362 | 2 | HEX CAP SCREW |
| 28 | V500150842 | 1 | WASHER |
| 29 | V836855674 | 1 | OIL PUMP SUCTION PIPE |
| 30 | V836338201 | 1 | GASKET [B] |
| 31 | V836007871 | | SHIM AS REQUIRED, REFER TO WORKSHOP MANUAL [B] INCLUDED IN COMPLETE ENGINE GASKET KIT 2 |

AP13E1371



| Item | Part Number | Qty | Description Comments |
|------|-------------|-----|--|
| 1 | V836347308 | 1 | OIL SUMP |
| 2 | V837084649 | 1 | OIL SUMP GASKET [B] |
| 3 | V580804630 | 4 | HEX SOCKET SCREW |
| 4 | V580805030 | 24 | HEX SOCKET SCREW |
| 5 | V836884833 | 2 | PLATE |
| 6 | V836867889 | 1 | OIL DIPSTICK GUIDE PIPE |
| 7 | V615882227 | 1 | SEALING WASHER [B] |
| 8 | V640045022 | 1 | PLUG |
| 9 | V641086012 | 1 | STRAIGHT FITTING |
| 10 | V836855300 | 1 | LUBRICATING OIL PUMP |
| 11 | V528801382 | 4 | HEX CAP SCREW (10) |
| 12 | V836338188 | 1 | GASKET (10) [B] |
| 13 | V581805050 | 2 | HEX SOCKET SCREW |
| 14 | V836008449 | 2 | GASKET [B] |
| 15 | V581804602 | 6 | HEX SOCKET SCREW |
| 16 | V836866569 | 1 | OIL PIPE |
| 17 | V836338201 | 1 | GASKET [B] |
| 18 | V500150842 | 1 | WASHER |
| 19 | V615881622 | 1 | SEALING WASHER [B] |
| 20 | V836866563 | 1 | ADAPTER FLANGE |
| 21 | V614702230 | 1 | O-RING [B] |
| 22 | V581804680 | 2 | HEX SOCKET SCREW |
| 23 | V836855674 | 1 | OIL PUMP SUCTION PIPE |
| 24 | V836867888 | 1 | DIPSTICK |
| 25 | V614900615 | 1 | O-RING (24) [B] |
| 26 | V836859955 | 1 | SUPPORT |
| 27 | V504800800 | 1 | NUT |
| 28 | V528801402 | 2 | HEX CAP SCREW |
| 29 | V602060612 | 1 | RETAINER CLAMP |
| 30 | V836007871 | | SHIM AS REQUIRED, REFER TO WORKSHOP MANUAL [B] INCLUDED IN COMPLETE ENGINE GASKET KIT 2 |

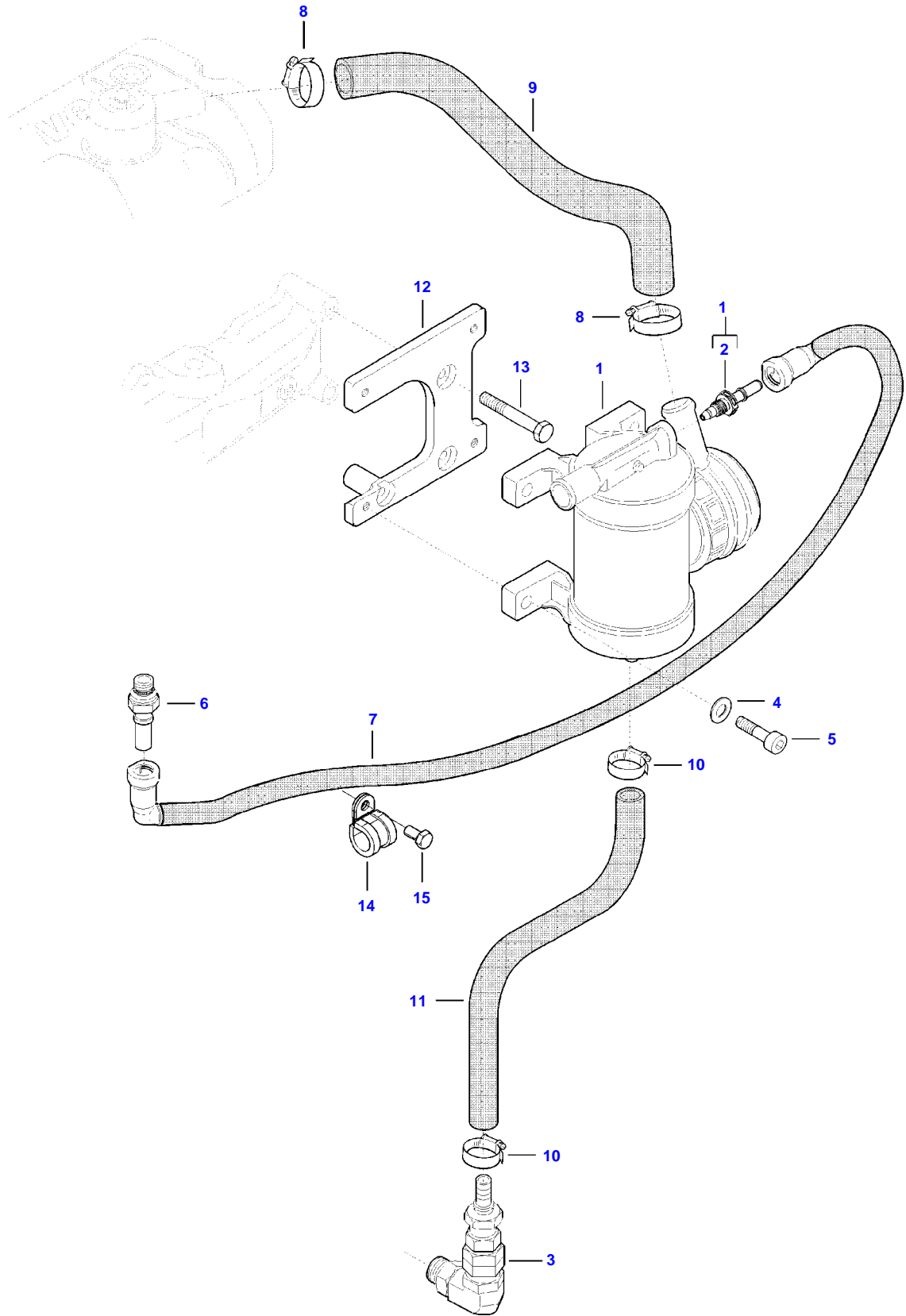
AP14E1373



OIL COOLER AND FILTER

| Item | Part Number | Qty | Description Comments |
|------|-------------|-----|---|
| 1 | V836679586 | 1 | ENGINE OIL FILTER |
| 2 | V836859699 | 1 | OIL COOLER |
| 3 | V836862235 | 1 | SEAL (2) |
| 4 | V640004004 | 1 | PLUG (2) |
| 5 | V836859700 | 1 | UNION |
| 6 | V602079516 | 4 | HOSE CLIP |
| 7 | V836859899 | 2 | RUBBER ELBOW |
| 8 | V528801762 | 1 | HEX CAP SCREW |
| 9 | V837073863 | 1 | WATER PIPE |
| 10 | V615881822 | 2 | SEALING WASHER [B] |
| 11 | V640435015 | 1 | BANJO BOLT |
| 12 | V602074615 | 1 | RETAINER CLAMP |
| 13 | V528801382 | 1 | HEX CAP SCREW |
| 14 | V504800800 | 1 | NUT |
| 15 | V837070143 | 1 | SUPPORT |
| 16 | V837079484 | 1 | OIL PRESSURE CONTROL VALVE |
| 17 | | 1 | NOT AVAILABLE AS SINGLE PART (16) |
| 18 | | 1 | NOT AVAILABLE AS SINGLE PART (16) |
| 19 | V836322190 | 1 | GASKET (16) [B] |
| 20 | V837074289 | 1 | COVER (16) |
| 21 | V528801382 | 2 | HEX CAP SCREW (16) [B] INCLUDED IN COMPLETE ENGINE GASKET KIT 2 |

AP15E1383



| Item | Part Number | Qty | Description Comments |
|------|-------------|-----|-------------------------|
| 1 | V837084882 | 1 | CCV FILTER |
| 2 | V837091137 | 1 | MALE COUPLER (1) |
| 3 | V837074234 | 1 | CHECK VALVE |
| 4 | V500150842 | 4 | WASHER |
| 5 | V581804630 | 4 | HEX SOCKET SCREW |
| 6 | V837067936 | 1 | QUICK COUPLER |
| 7 | V837084290 | 1 | CCV HOSE |
| 8 | V602078538 | 2 | HOSE CLIP |
| 9 | V837074422 | 1 | HOSE |
| 10 | V602079516 | 2 | HOSE CLIP |
| 11 | V837074299 | 1 | HOSE |
| 12 | V837074103 | 1 | BRACKET |
| 13 | V529801480 | 3 | HEX CAP SCREW |
| 14 | V602060618 | 1 | RETAINER CLAMP |
| 15 | V528801362 | 1 | HEX CAP SCREW |



Suggest:

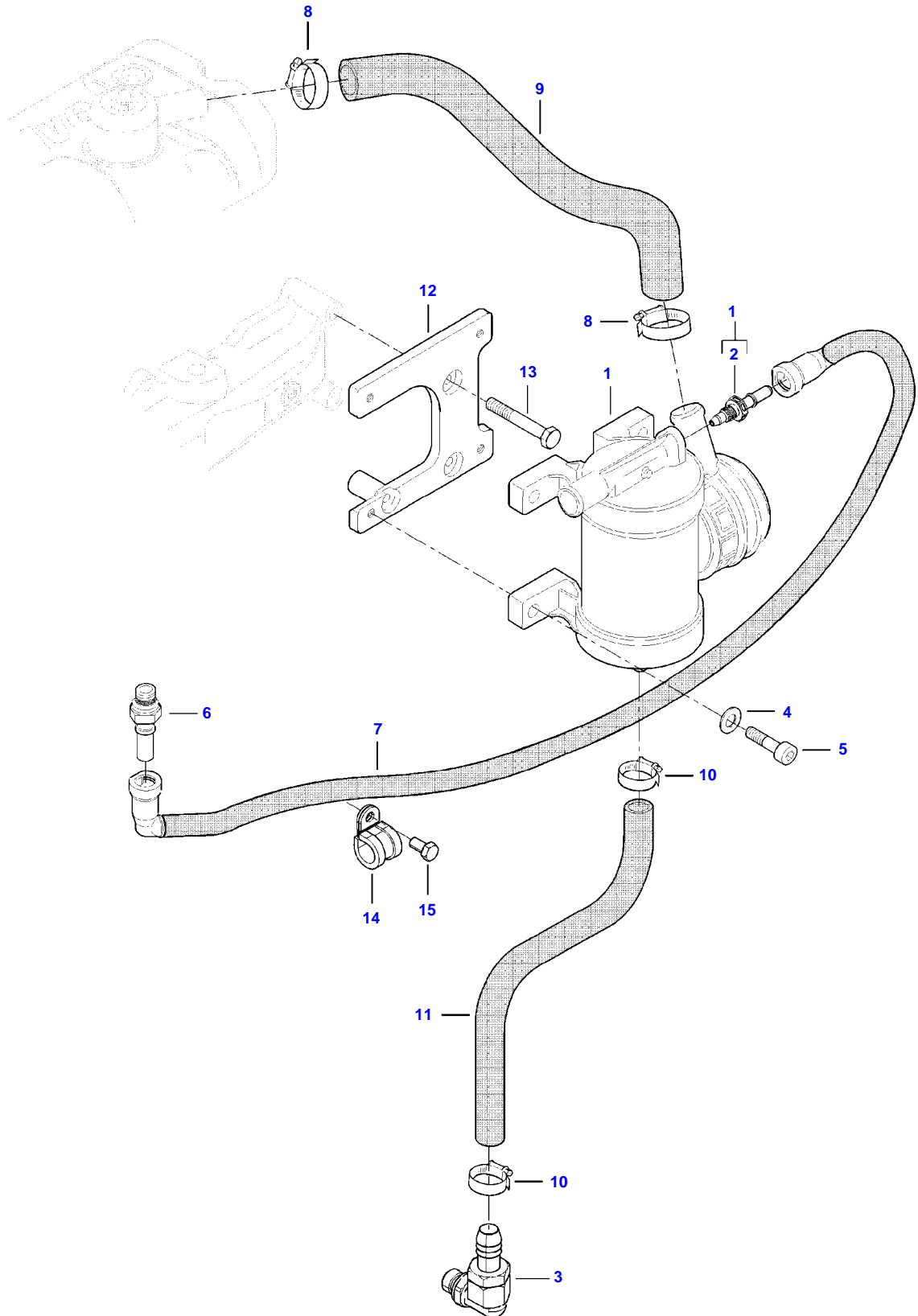
For more complete manuals. Please go to the home page.

<https://www.ebooklibonline.com>

If the above button click is invalid. Please download this document first, and then click the above link to download the complete manual.

Thank you so much for reading

AP15E2619



| Item | Part Number | Qty | Description Comments |
|------|-------------|-----|-------------------------|
| 1 | V837084882 | 1 | CCV FILTER |
| 2 | V837091137 | 1 | MALE COUPLER (1) |
| 3 | V837084778 | 1 | CHECK VALVE |
| 4 | V500150842 | 4 | WASHER |
| 5 | V581804630 | 4 | HEX SOCKET SCREW |
| 6 | V837067936 | 1 | QUICK COUPLER |
| 7 | V837084290 | 1 | CCV HOSE |
| 8 | V602078538 | 2 | HOSE CLIP |
| 9 | V837074422 | 1 | HOSE |
| 10 | V602079516 | 2 | HOSE CLIP |
| 11 | V837074928 | 1 | RUBBER HOSE |
| 12 | V837074103 | 1 | BRACKET |
| 13 | V529801480 | 3 | HEX CAP SCREW |
| 14 | V602060618 | 1 | RETAINER CLAMP |
| 15 | V528801362 | 1 | HEX CAP SCREW |

<https://www.ebooklibonline.com>

Hello dear friend!

Thank you very much for reading.

Enter the link into your browser.

The full manual is available for immediate download.

<https://www.ebooklibonline.com>