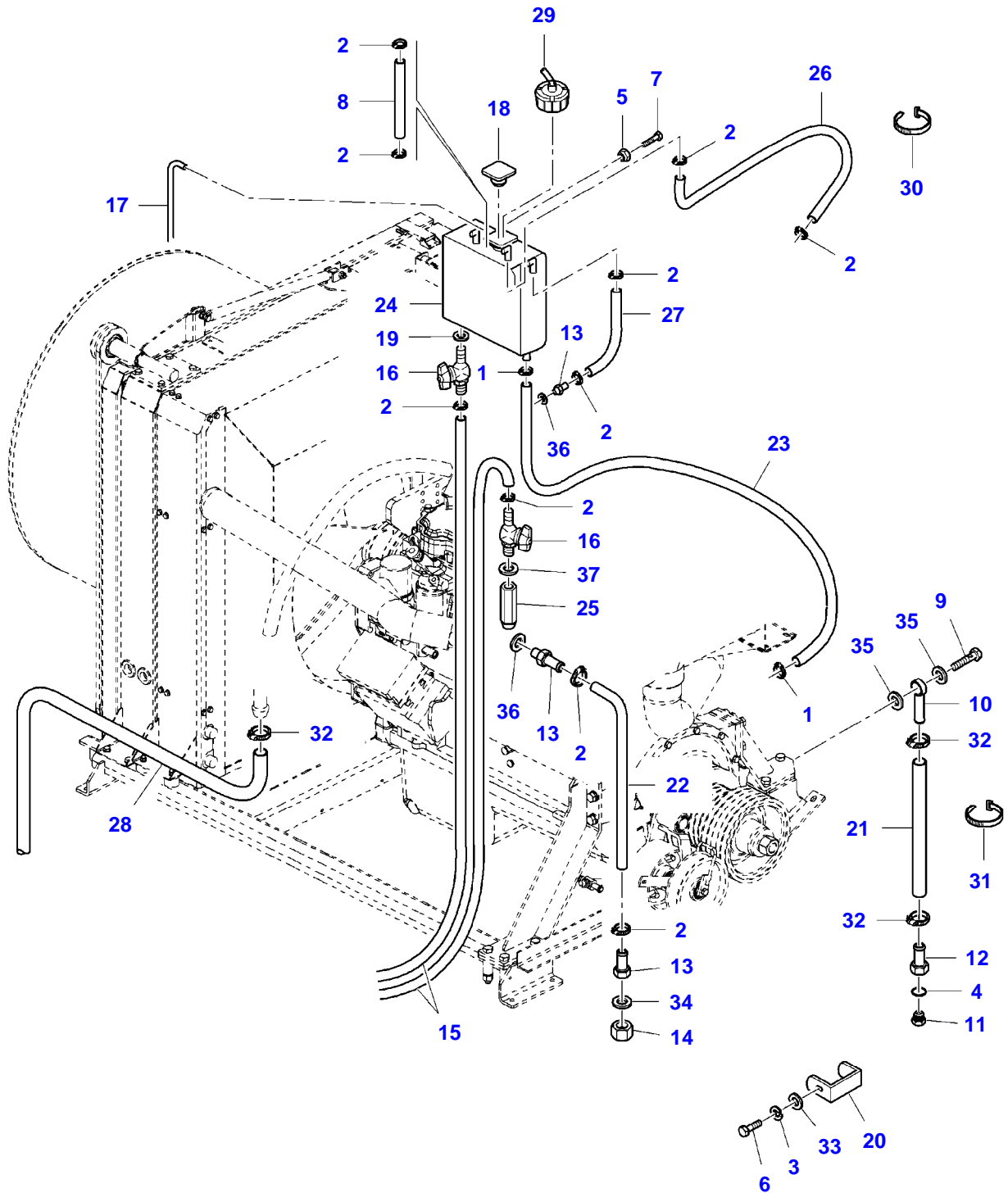


Page Number	Page Title	Page Reference
01-000-TOC	ENGINE, FUEL AND EXHAUST SYSTEM	01-000-TOC
02-000-TOC	DRIVE SYSTEM	02-000-TOC
03-000-TOC	AXLES	03-000-TOC
04-000-TOC	FRAME AND SUSPENSION	04-000-TOC
05-000-TOC	STEERING SYSTEM	05-000-TOC
06-000-TOC	DRIVE TRAIN SYSTEM	06-000-TOC
07-000-TOC	BRAKE SYSTEM	07-000-TOC
08-000-TOC	HYDRAULIC SYSTEM	08-000-TOC
09-000-TOC	ELECTRICAL SYSTEM	09-000-TOC
10-000-TOC	CAB	10-000-TOC
11-000-TOC	AIR CONDITIONING AND HEATING SYSTEM	11-000-TOC
12-000-TOC	CHASSIS	12-000-TOC
13-000-TOC	DECALS	13-000-TOC
14-000-TOC	WHEELS	14-000-TOC
15-000-TOC	FEEDING SYSTEM	15-000-TOC
16-000-TOC	THRESHING SYSTEM	16-000-TOC
17-000-TOC	CLEANING SYSTEM	17-000-TOC
18-000-TOC	GRAIN BIN AND ELEVATOR SYSTEM	18-000-TOC
19-000-TOC	DISCHARGE SYSTEM	19-000-TOC
20-000-TOC	ATTACHMENTS	20-000-TOC
21-000-TOC	ACCESSORIES	21-000-TOC

5250E COMBINE (551710001-999)
8014922-F5-1



Item	Part Number	Qty	Description Comments	Technical Specification
1	LA350391526	1	HOSE CLIP	Ø 26-38 MM
2	LA350391506	10	HOSE CLIP	Ø 8-14 MM
3	LA12034571	1	SPRING WASHER	M8
4	LA14457180	1	O-RING	Ø 13,95 X 2,62 MM
5	LA16104111	1	LOCKNUT	M8 ISO
6	LA16043421	1	HEXAGONAL HEAD BOLT	M8 X 20 (1.25) ISO 8.8 IF
7	LA16043221	1	HEXAGONAL HEAD BOLT	M8 X 16 ISO 8.8 IF
8	LA19053182	1	HOSE UP TO MACHINE S/N 551710206	
9	LA300128295	1	PIPE UNION	M22 (1.5)
10	LA300136355	1	FILLER	
11	LA320479650	1	PLUG	
12	LA321806450	1	FILLER	
13	LA321946550	3	FILLER	
14	LA321946650	1	PLUG	
15	LA322303650	2	WATER HOSE	L = 6000 MM
16	LA322310850	2	COCK	
17	LA322327850	1	WATER HOSE	L = 4500 MM
18	LA322638350	1	TANK CAP	
19	LA322731950	1	SEALING WASHER	
20	LA322869150	1	SUPPORT	
21	LA322895950	1	HYDRAULIC HOSE	L = 2650 MM
22	LA322896150	1	WATER HOSE	L = 3400 MM
23	LA322944150	1	WATER HOSE	L = 1100 MM
24	LA322995200	1	EXPANSION TANK UP TO MACHINE S/N 551710206	
	LA323434400	1	EXPANSION TANK FROM MACHINE S/N 551710207	
25	LA322999150	1	CONNECTOR	
26	LA322995450	1	WATER HOSE UP TO MACHINE S/N 551710206	L = 900 MM
27	LA323013550	1	WATER HOSE	L = 500 MM
28	LA323036450	1	HOSE	
29	LA323105850	1	TANK CAP	
30	LA340481806	1	CABLE TIE	L = 180 MM
31	LA340481813	1	CABLE TIE	L = 365 MM
32	LA350391518	3	HOSE CLIP	Ø 19-28 MM
33	LA355510820	1	FLAT WASHER	Ø 8,5-24 X 2 MM
34	LA355561430	1	SEALING WASHER	Ø 14,5-22,5 X 3 MM
35	LA355562230	2	SEALING WASHER	Ø 22,5-28,5 X 3 MM
36	LA355571415	2	SEALING WASHER	Ø 14,5-20 X 1,5 MM
37	LA410000794	1	SEALING WASHER	Ø 16,5-22 X 1 MM

<https://www.ebooklibonline.com>

Hello dear friend!

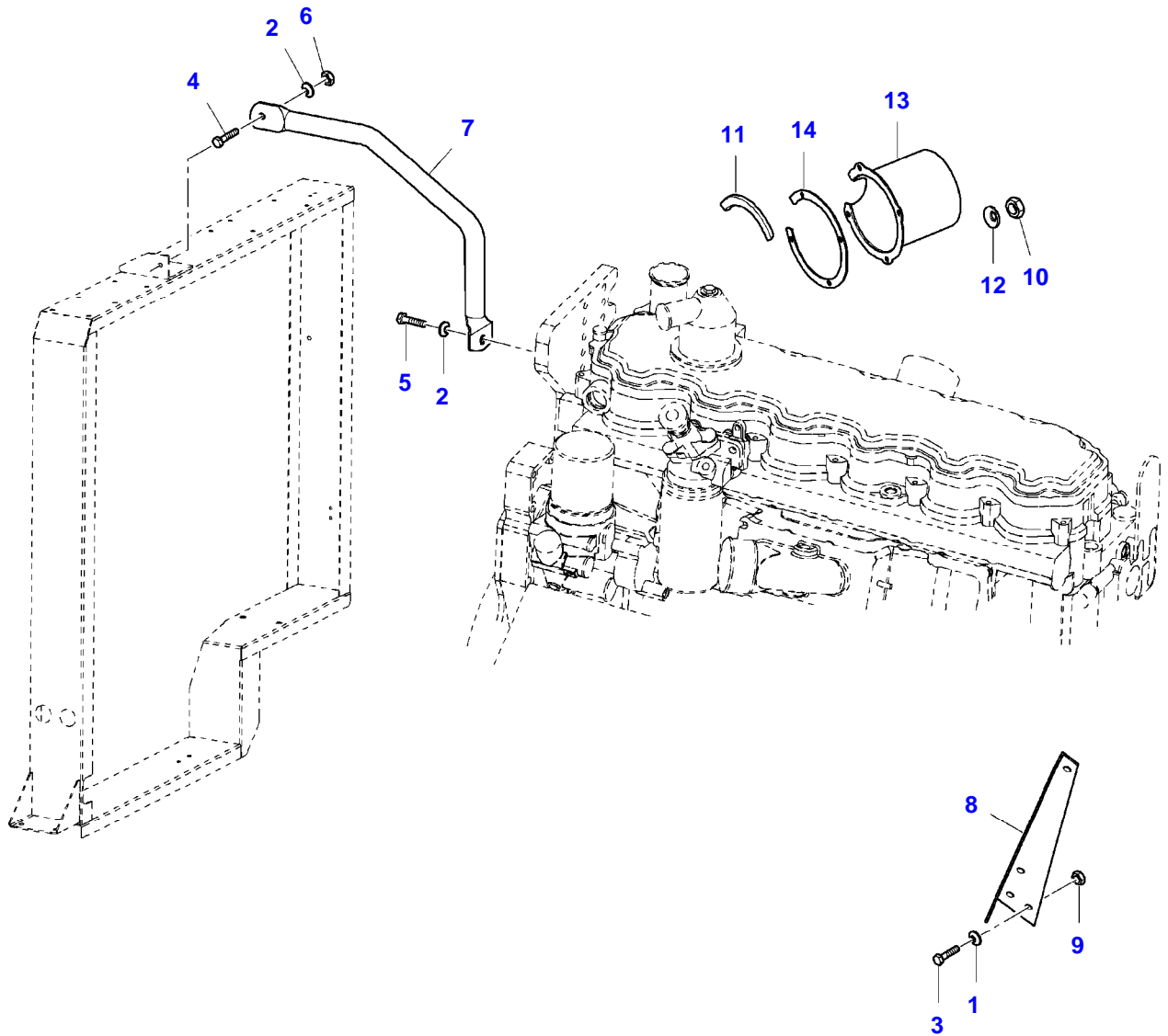
Thank you very much for reading.

Enter the link into your browser.

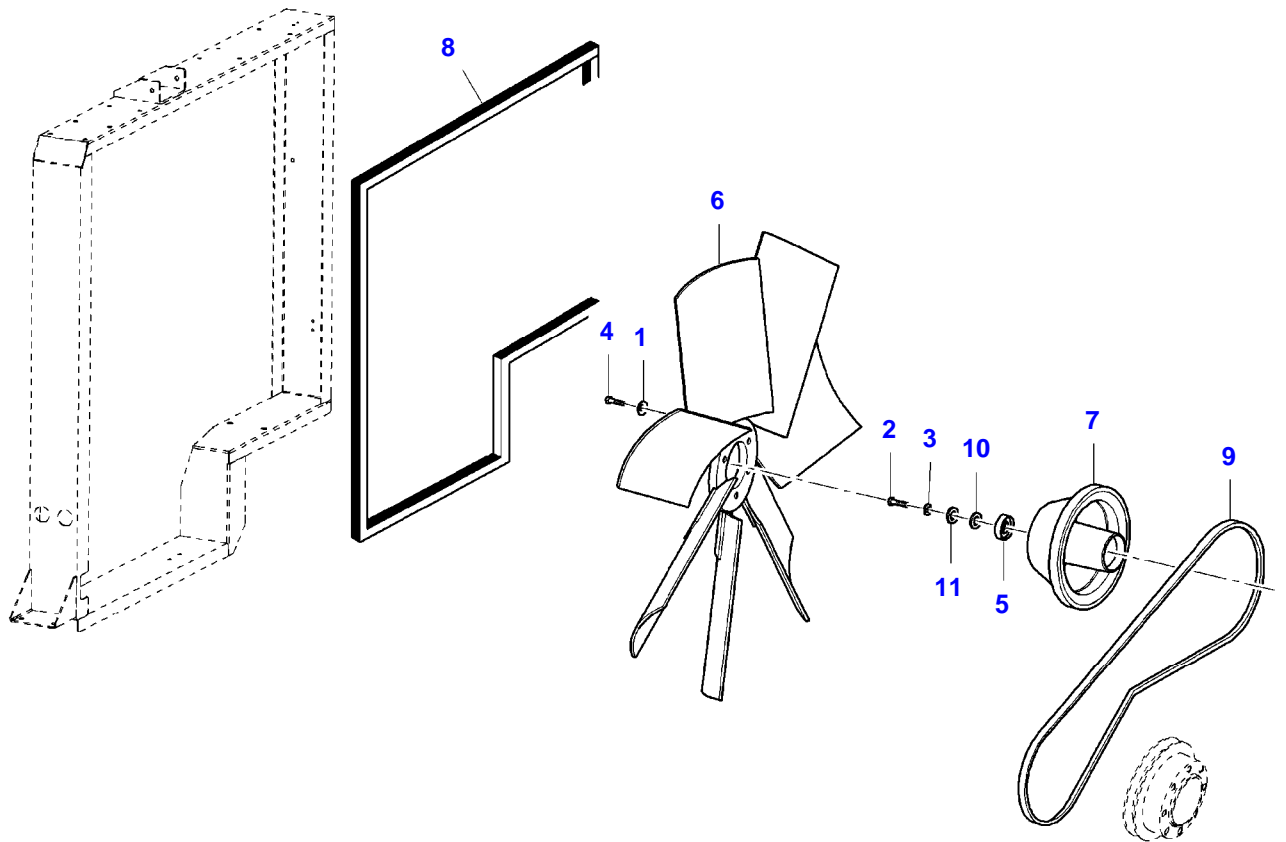
The full manual is available for immediate download.

<https://www.ebooklibonline.com>

5250E COMBINE (551710001-999)
8014928-F5-1

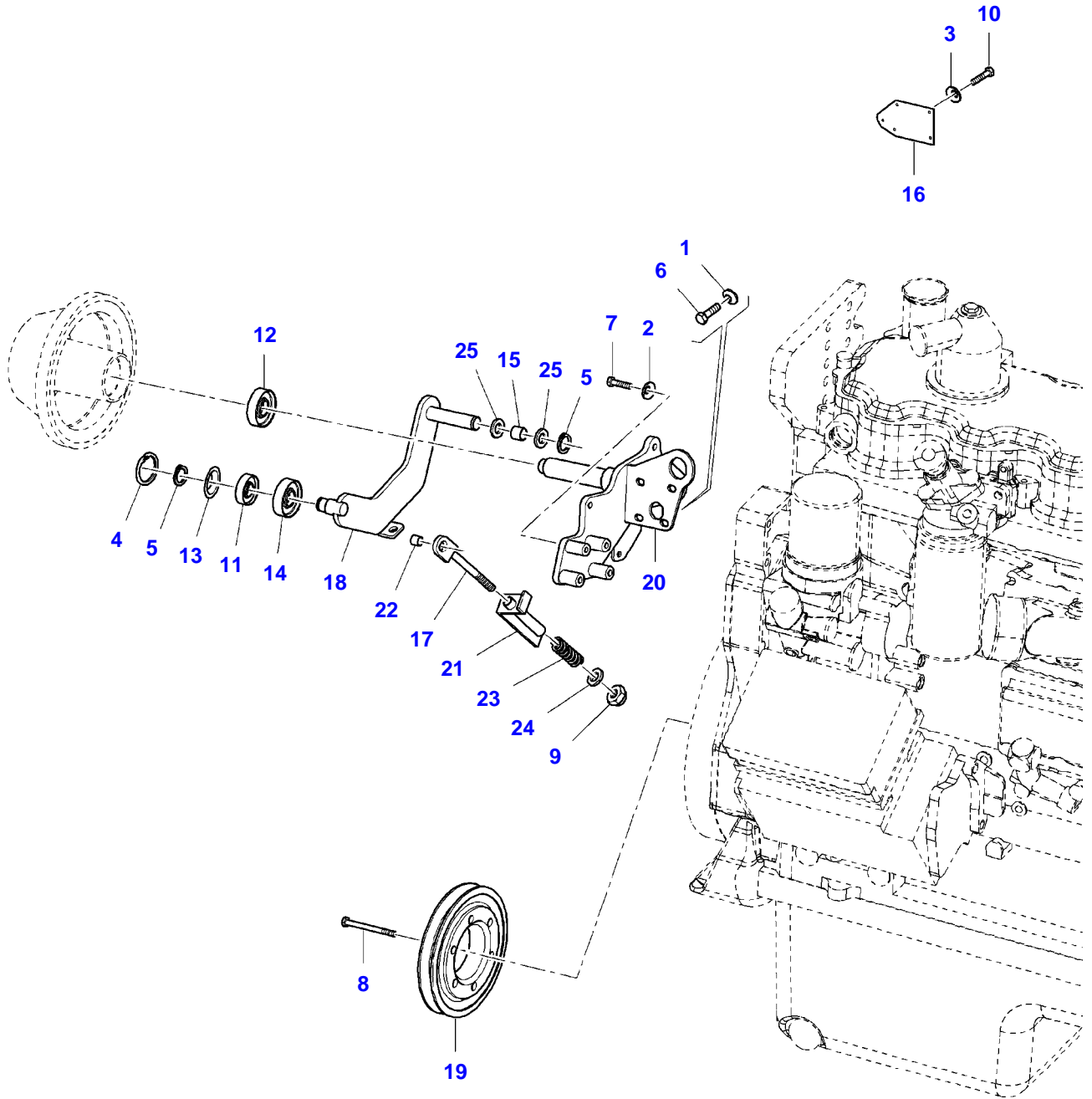


Item	Part Number	Qty	Description Comments	Technical Specification
1	LA140045	1	SPRING WASHER	M10
2	LA322358	2	SPRING WASHER	M8
3	LA11106421	1	HEXAGONAL HEAD BOLT	M10 X 30 ISO 8.8 IF
4	LA16043221	1	HEXAGONAL HEAD BOLT	M8 X 16 ISO 8.8 IF
5	LA16043621	1	HEXAGONAL HEAD BOLT	M8 X 25 ISO 8.8 IF
6	LA16100811	1	NUT	M8 ISO
7	LA322913250	1	STOP	
8	LA323001950	1	BRACKET	
9	LA11701711	1	NUT	M10 ISO 8
10	LA15896221	4	NUT	M6 ISO
11	LA300135968	1	SEAL	L = 80 MM
12	LA355500615	4	FLAT WASHER	Ø 6-12 X 1,5 MM
13	LA323208550	1	GUARD	
14	LA323264350	1	RUBBER	
			FROM MACHINE S/N 551710169	



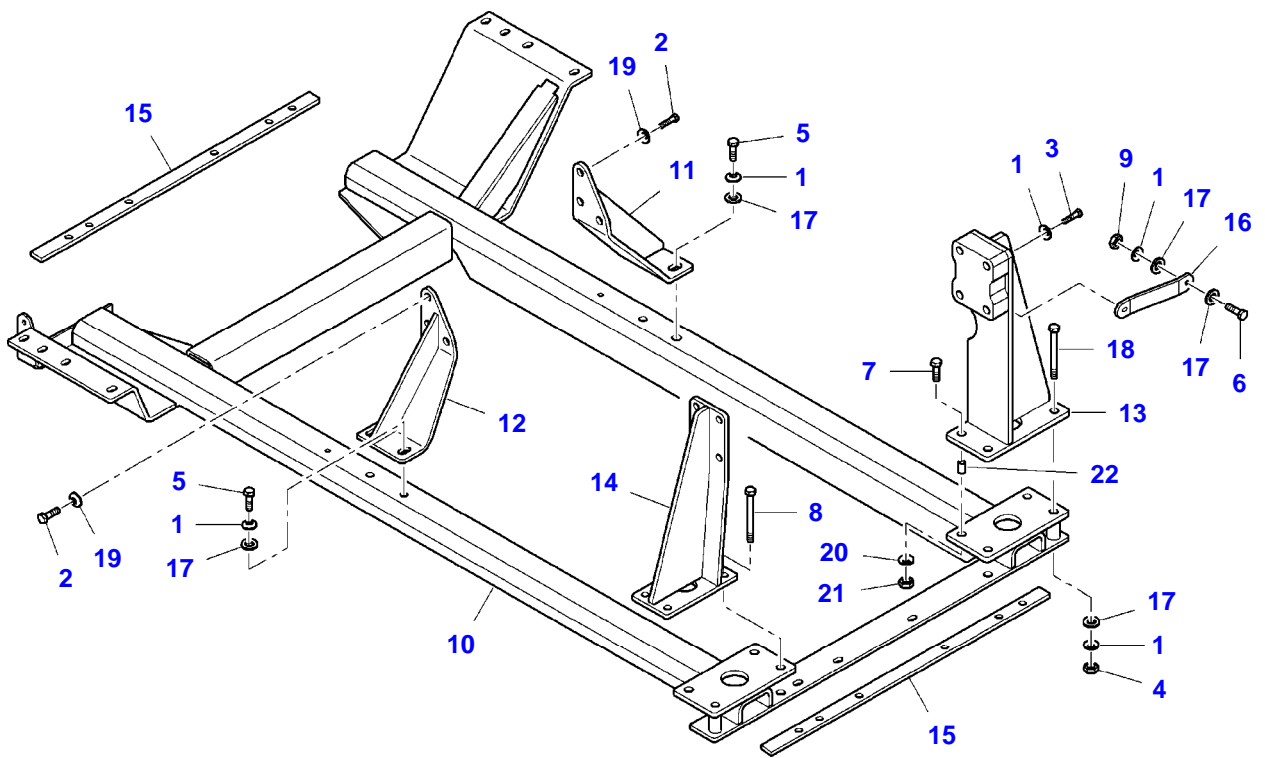
Item	Part Number	Qty	Description Comments	Technical Specification
1	LA140045	6	SPRING WASHER	M10
2	LA11408321	1	HEX CAP SCREW	M14 X 35 (1.5) ISO 8.8 IF
3	LA12035571	1	SPRING WASHER	M14
4	LA16040821	6	HEX CAP SCREW	M10 X 40 ISO 8.8 IF
5	LA28996520	1	BEAR. 6205 2RS	
6	LA322829350	1	ENGINE FAN	
7	LA322911650	1	PULLEY,FAN	
8	LA322991350	1	SEAL	L = 6000 MM
9	LA340433253	1	BELT	L = 1555 MM
10	LA355531720	1	FLAT WASHER	Ø 14,5-32 X 2 MM
11	LA355531950	1	FLAT WASHER	Ø 14,5-48 X 5 MM

5250E COMBINE (551710001-999)
8014924-F5-1



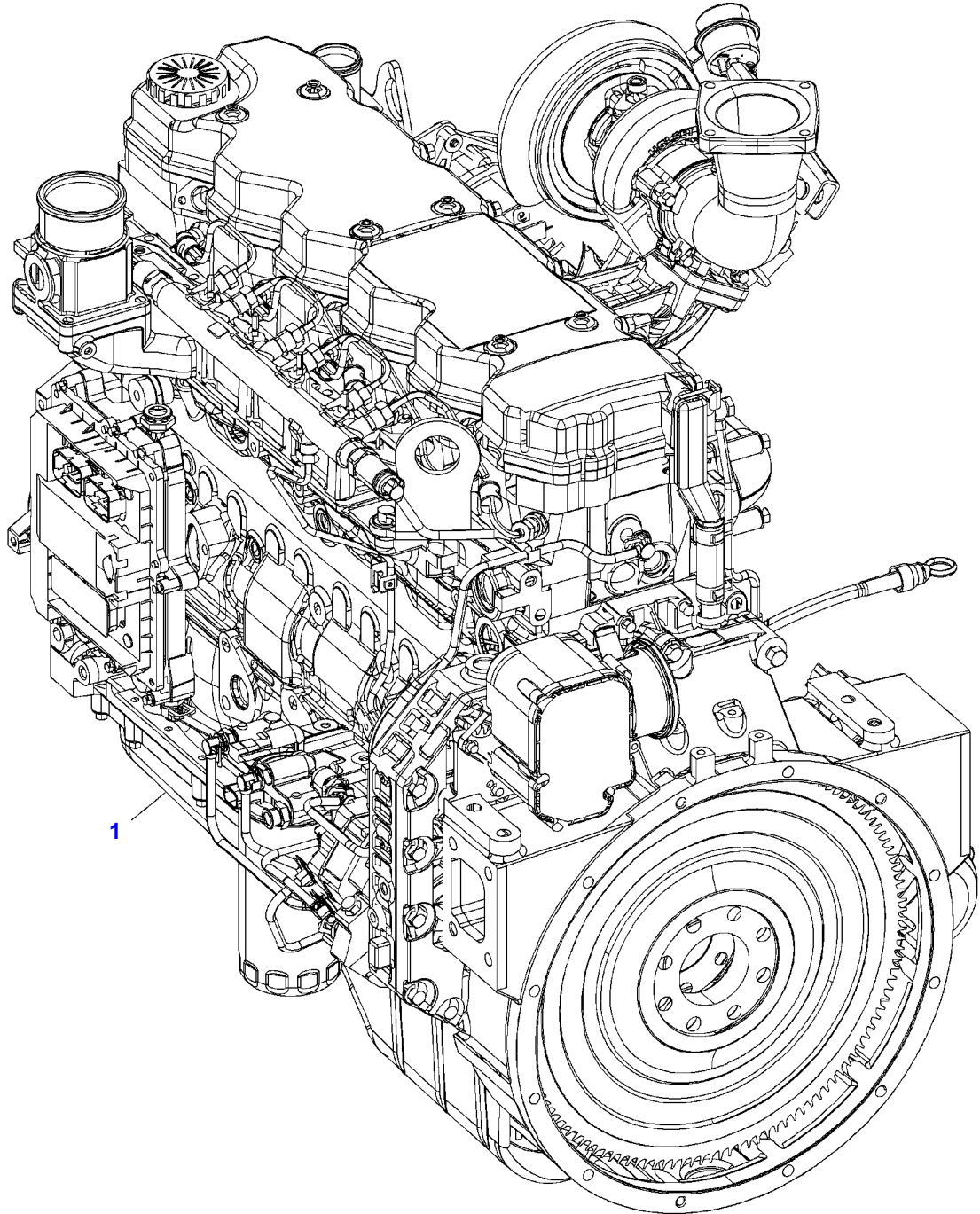
Item	Part Number	Qty	Description Comments	Technical Specification
1	LA140045	1	SPRING WASHER	M10
2	LA140046	1	SPRING WASHER	M12
3	LA322358	1	SPRING WASHER	M8
4	LA11060276	1	CIRCLIP	Ø 47 MM
5	LA11066876	2	CIRCLIP	Ø 20 MM
6	LA11106421	1	HEXAGONAL HEAD BOLT	M10 X 30 ISO 8.8 IF
7	LA16044621	1	HEX CAP SCREW	M8 X 70 ISO 8.8 PF
8	LA11343834	1	HEX CAP SCREW	M10 X 50 (1.25) ISO 10.9 PF
9	LA12577211	1	NUT	M10 ISO 8
10	LA16043221	1	HEXAGONAL HEAD BOLT	M8 X 16 ISO 8.8 IF
11	LA28996510	1	BEAR. 6204 2RS	
12	LA28996540	1	BEAR. 6207 2RS	
13	LA300022242	1	SHIELD	
14	LA320810050	1	BELT TENSIONER	
15	LA322882350	1	SLEEVE	Ø 20-23 X 20 MM
16	LA322982650	1	SUPPORT	
17	LA323008050	1	TIE ROD	
18	LA323024050	1	SUPPORT	
19	LA323051550	1	PULLEY	
20	LA323067450	1	BRACKET	
21	LA323073350	1	GAUGE	
22	LA340415514	1	BUSH	Ø 10,5-14 X 9 MM
23	LA350356184	1	SPRING	
24	LA355511030	1	FLAT WASHER	Ø 10,5-30 X 3 MM
25	LA355533810	2	FLAT WASHER	Ø 20,5-32 X 1 MM

5250E COMBINE (551710001-999)
8014923-F5-1



Item	Part Number	Qty	Description Comments	Technical Specification
1	LA140046	12	SPRING WASHER	M12
2	LA11112421	6	HEXAGONAL HEAD BOLT	M12 X 30 (1.75) ISO 8.8 IF
3	LA11113521	4	HEX CAP SCREW	M12 X 65 ISO 8.8 PF
4	LA11702911	2	NUT	M12 ISO
5	LA15540521	4	HEXAGONAL HEAD BOLT	M12 X 35 (1.25) ISO 8.8 IF
6	LA15540521	2	HEXAGONAL HEAD BOLT	M12 X 35 (1.25) ISO 8.8 IF
7	LA15540621	1	HEX CAP SCREW	M12 X 40 (1.25) ISO 8.8 IF
8	LA15541621	4	SCREW	M12 X 100 (1.25) ISO 8.8 PF
9	LA16101511	2	NUT	M12 (1.25) ISO
10	LA322910250	1	FRAME	
11	LA322910350	1	BRACKET	
12	LA323420450	1	STIRRUP	
13	LA322910650	1	BRACKET	
			UP TO MACHINE S/N 551710206	
	LA323381450	1	BRACKET	
			FROM MACHINE S/N 551710207	
14	LA322910750	1	BRACKET	
15	LA322911250	2	SHIM	40 X 650 MM
16	LA323003650	1	SUPPORT	
17	LA355501320	8	FLAT WASHER	Ø 13-26 X 2 MM
18	LA15541521	2	HEX CAP SCREW	M12 X 90 (1.25) ISO 8.8 PF
19	LA140046	6	SPRING WASHER	M12
20	LA140046	2	SPRING WASHER	M12
21	LA11702911	2	NUT	M12 ISO
22	LA340415037	1	BUSH	Ø 16,5-26 X 30 MM

5250E COMBINE (551710001-999)
8014921-F5-1



Fendt

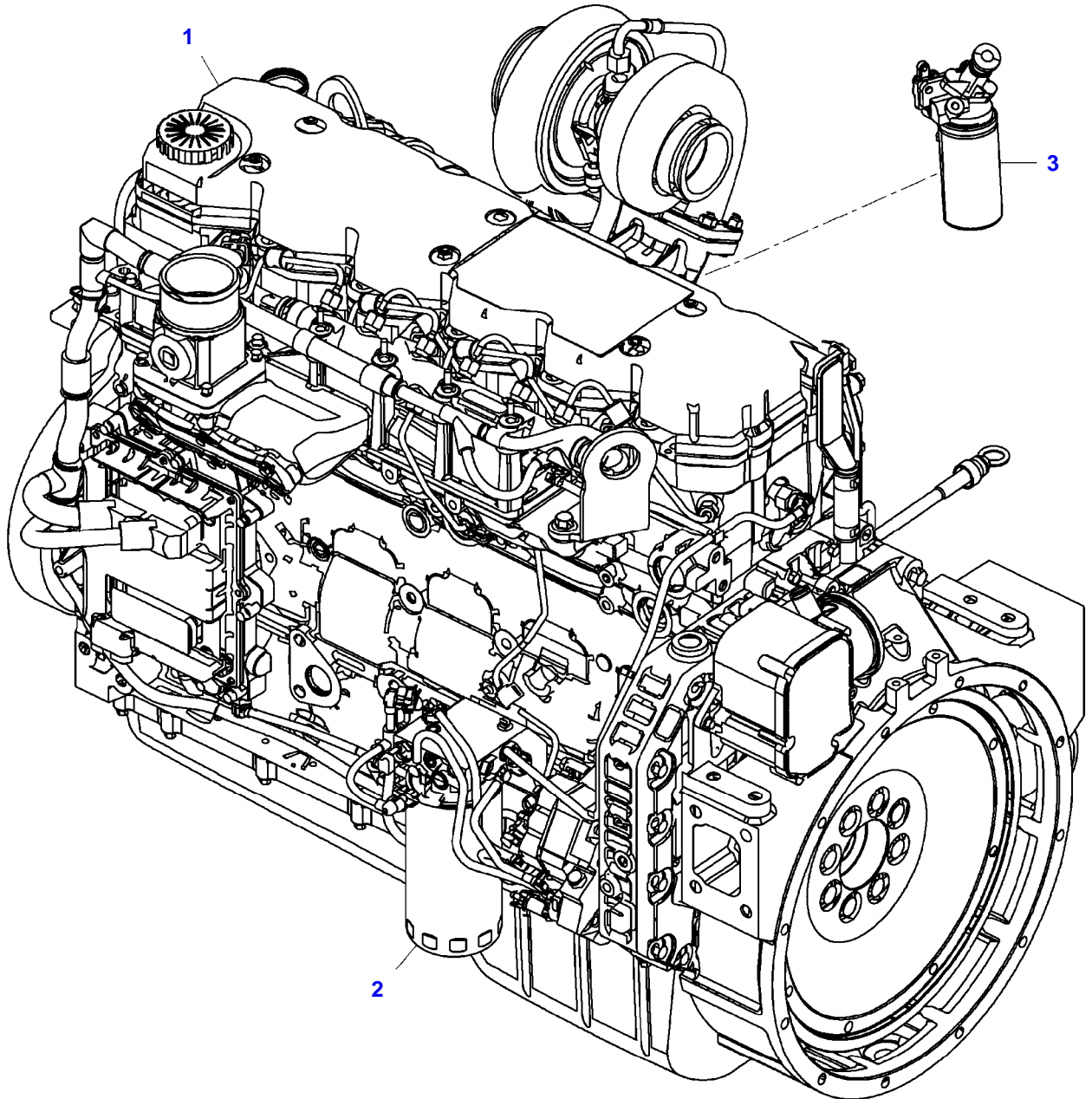
5250E COMBINE (551710001-999)

3906036

ENGINE

Page01-0006

Item	Part Number	Qty	Description Comments	Technical Specification
			UP TO MACHINE S/N 551710034	
1	LA322966200	1	ENGINE	176KW



Fendt

5250E COMBINE (551710001-999)

3906036

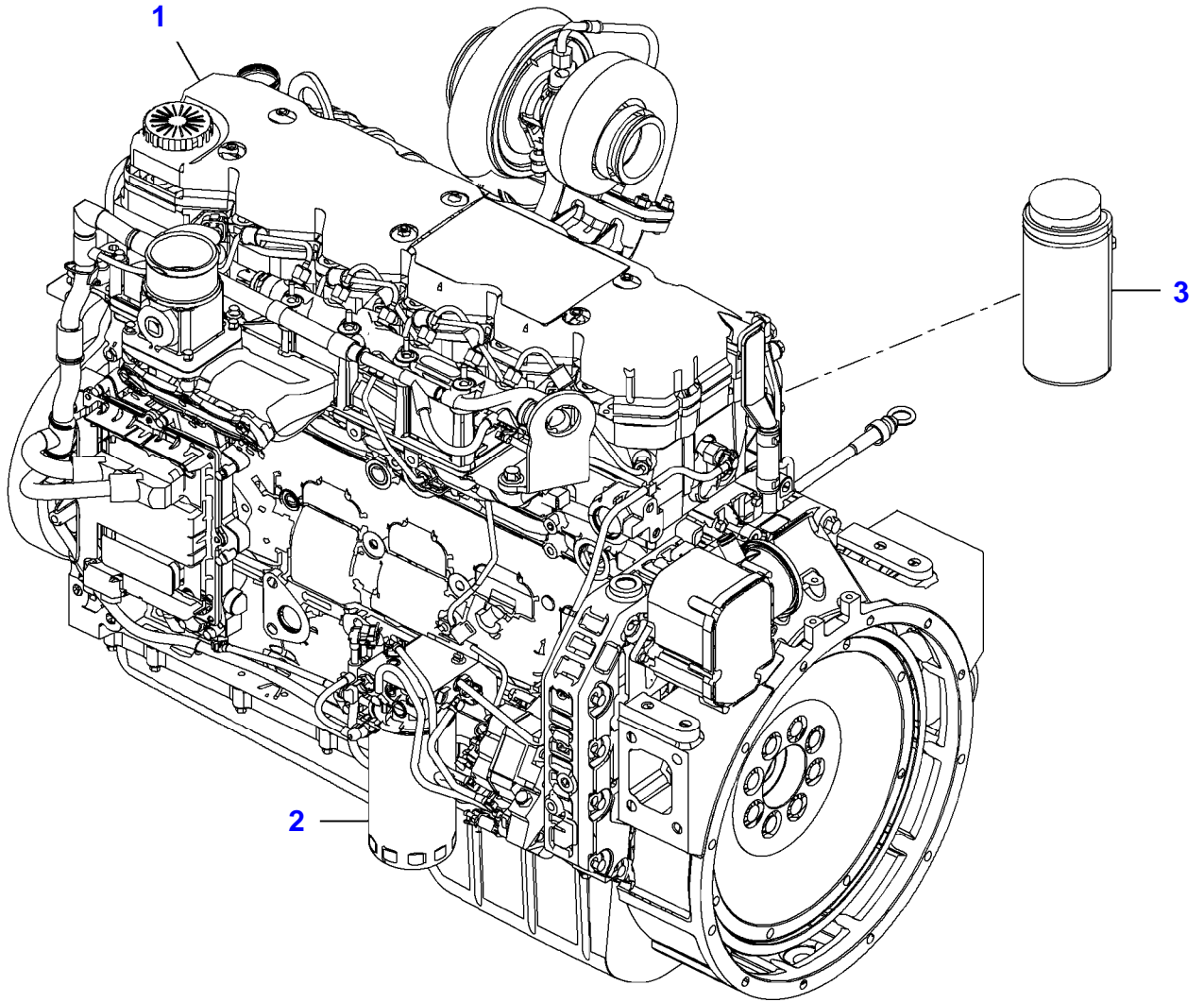
ENGINE

Page01-0007

Item	Part Number	Qty	Description Comments	Technical Specification
			FROM MACHINE S/N 551710035	
1	LA323199100	1	ENGINE	175 KW
2	LA323017850	1	ELEMENT,OIL FILTER	
3	LA323273250	1	ELEMENT,FUEL	

5250E COMBINE (551710001-999)
8020001-L-A

8020001-L-A



Fendt

5250E COMBINE (551710001-999)

3906036

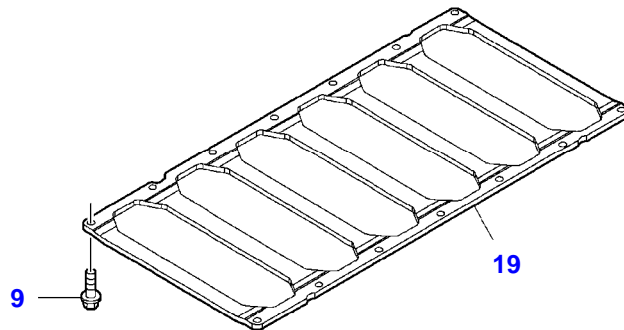
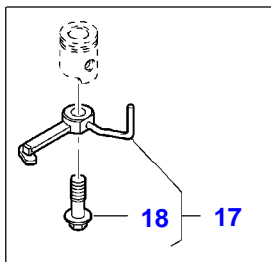
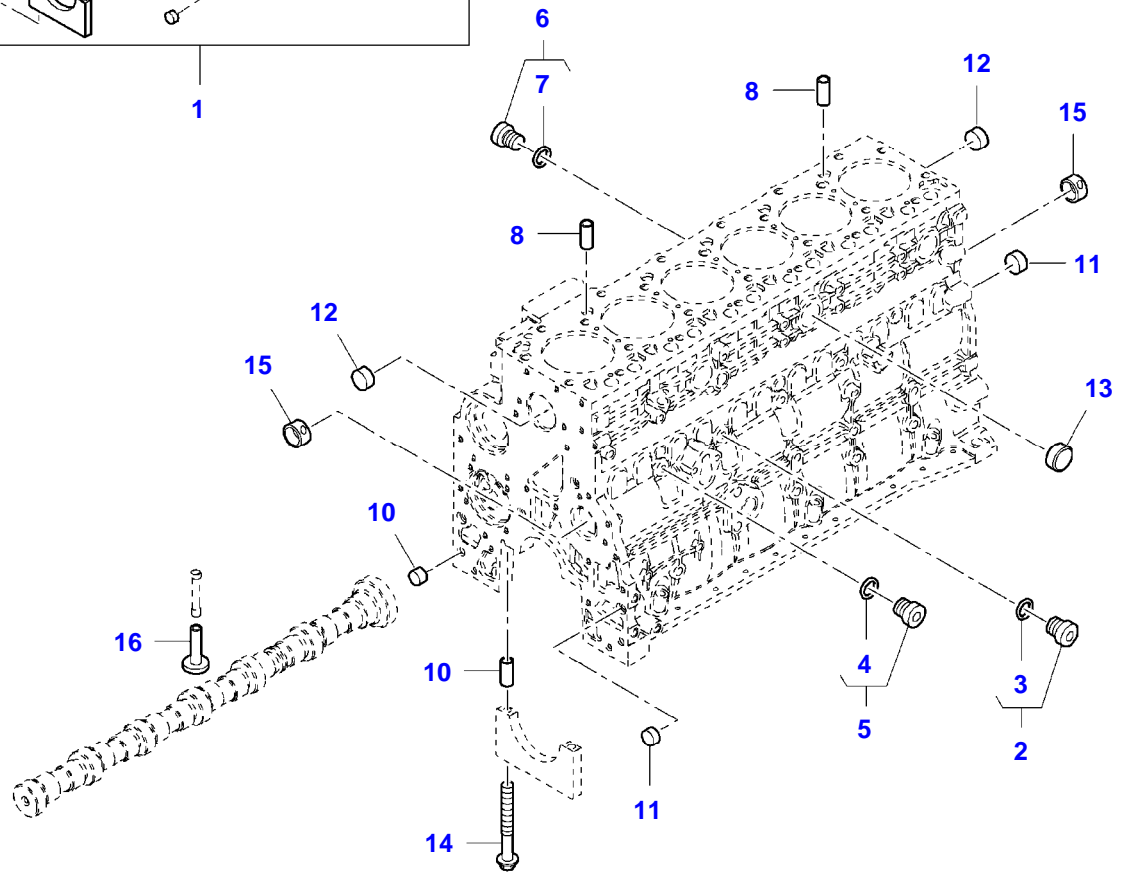
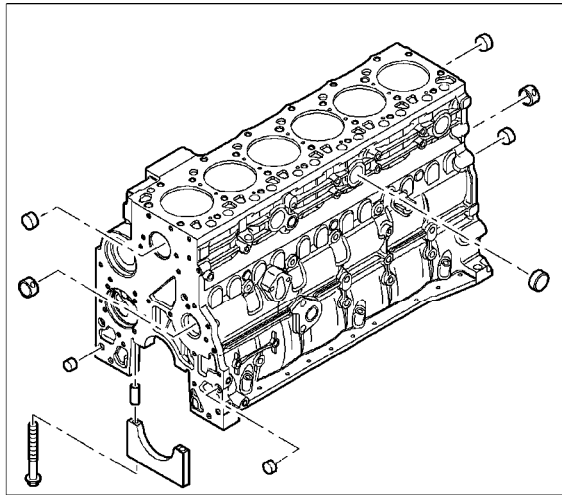
ENGINE

Page01-0008

FROM SERIAL NUMBER 551710141 / UP TO SERIAL NUMBER 551710156

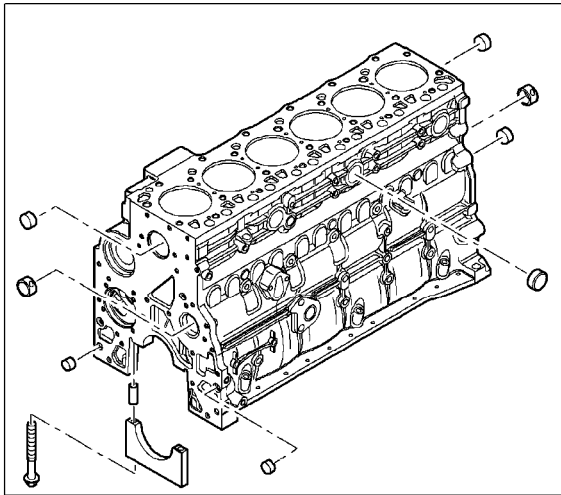
Item	Part Number	Qty	Description Comments	Technical Specification
1	LA322966100	1	ENGINE	150KW
2	LA323016450	1	FUEL ELEMENT	
3	LA323017850	1	ELEMENT,OIL FILTER	

5250E COMBINE (551710001-999)
8021179-F5-1

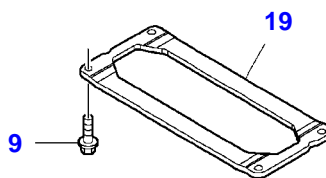
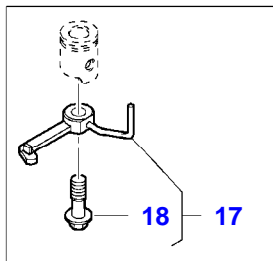
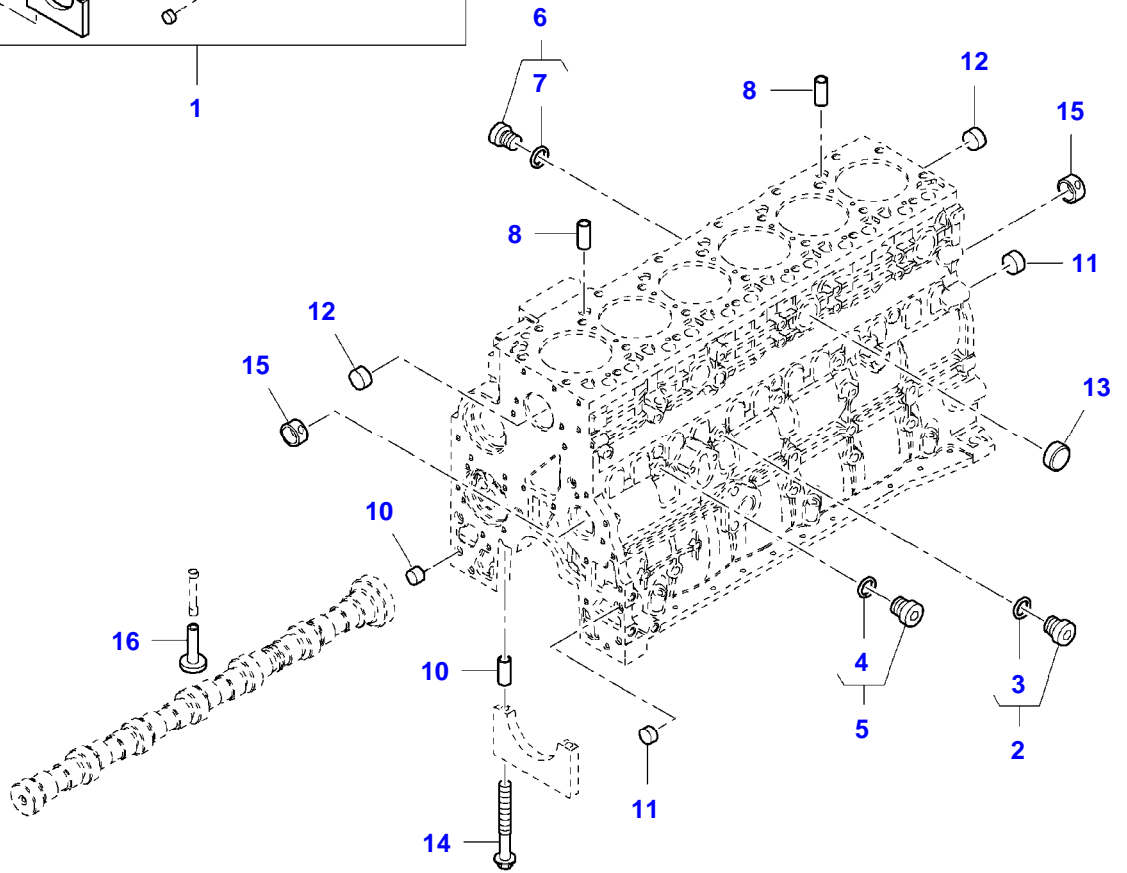


Item	Part Number	Qty	Description Comments	Technical Specification
			UP TO MACHINE S/N 551710034	
1	LA4897335	1	ENGINE BLOCK	
2	LA4895605	2	PLUG	M14 (1.5)
3	LA4899115	2	O RING	
4	LA4899009	2	PLUG	M10 (1.0)
5	LA4899072	2	O RING	
6	LA4895392	2	PLUG	M18 (1.5)
7	LA4895393	2	O RING	
8	LA4895049	2	DOWEL	
9	LA4899032	14	HEX CAP SCREW	M10 X 25
10	LA4899026	14	DOWEL	
11	LA4895039	3	PLUG	
12	LA4895038	6	PLUG	
13	LA4895228	3	PLUG	
14	LA4891353	14	HEX CAP SCREW	M12 X 120
15	LA4895040	2	BEARING	
16	LA4899803	12	VALVE	
17	LA504054307	6	JET	
18	LA4894218	1	FILLER	
19	LA4892080	1	PLATE	

5250E COMBINE (551710001-999)
8021121-F5-1

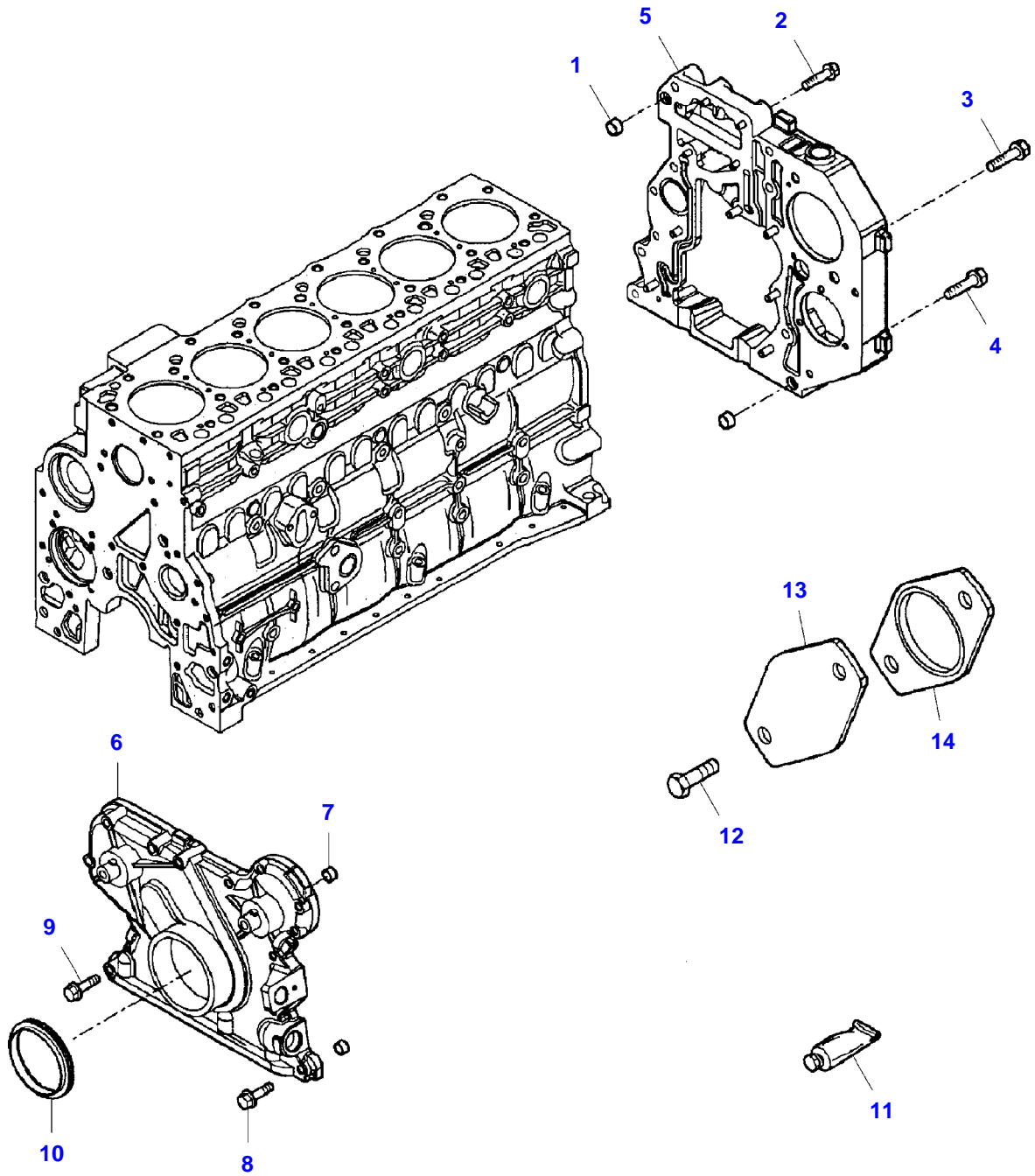


1

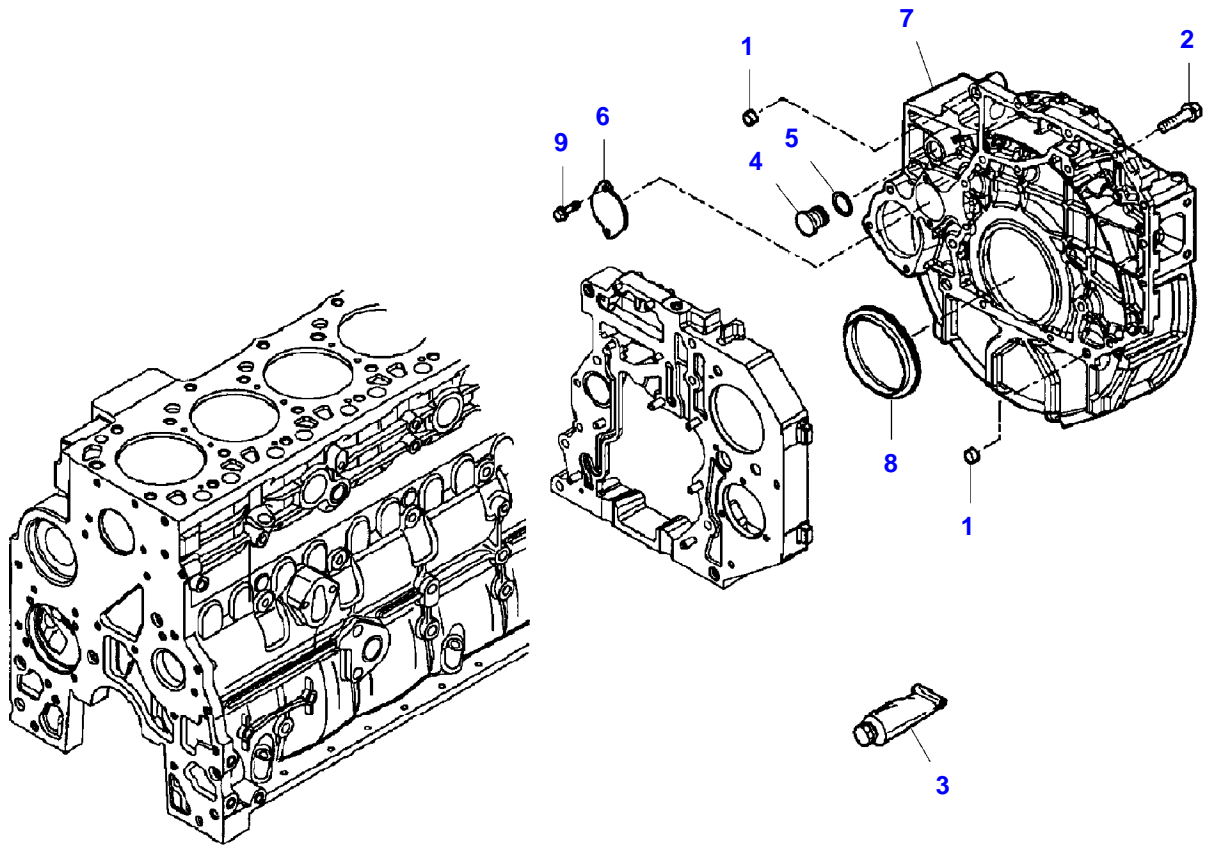


Item	Part Number	Qty	Description Comments	Technical Specification
			FROM MACHINE S/N 551710035	
1	LA2830076	1	ENGINE BLOCK	
2	LA4895605	2	PLUG	M14 (1.5)
3	LA4899115	2	O RING	
4	LA4899009	2	PLUG	M10 (1.0)
5	LA4899072	2	O RING	
6	LA4895392	2	PLUG	M18 (1.5)
7	LA4895393	2	O RING	
8	LA4895049	2	DOWEL	
9	LA4899032	14	HEX CAP SCREW	M10 X 25
10	LA4899026	14	DOWEL	
11	LA4895039	3	PLUG	
12	LA4895038	6	PLUG	
13	LA4895228	3	PLUG	
14	LA4891353	14	HEX CAP SCREW	M12 X 120
15	LA4895040	2	BEARING	
16	LA4899803	12	VALVE	
17	LA504054307	6	JET	
18	LA4894218	1	FILLER	
19	LA504076109	1	PLATE	

5250E COMBINE (551710001-999)
8020061-F5-1

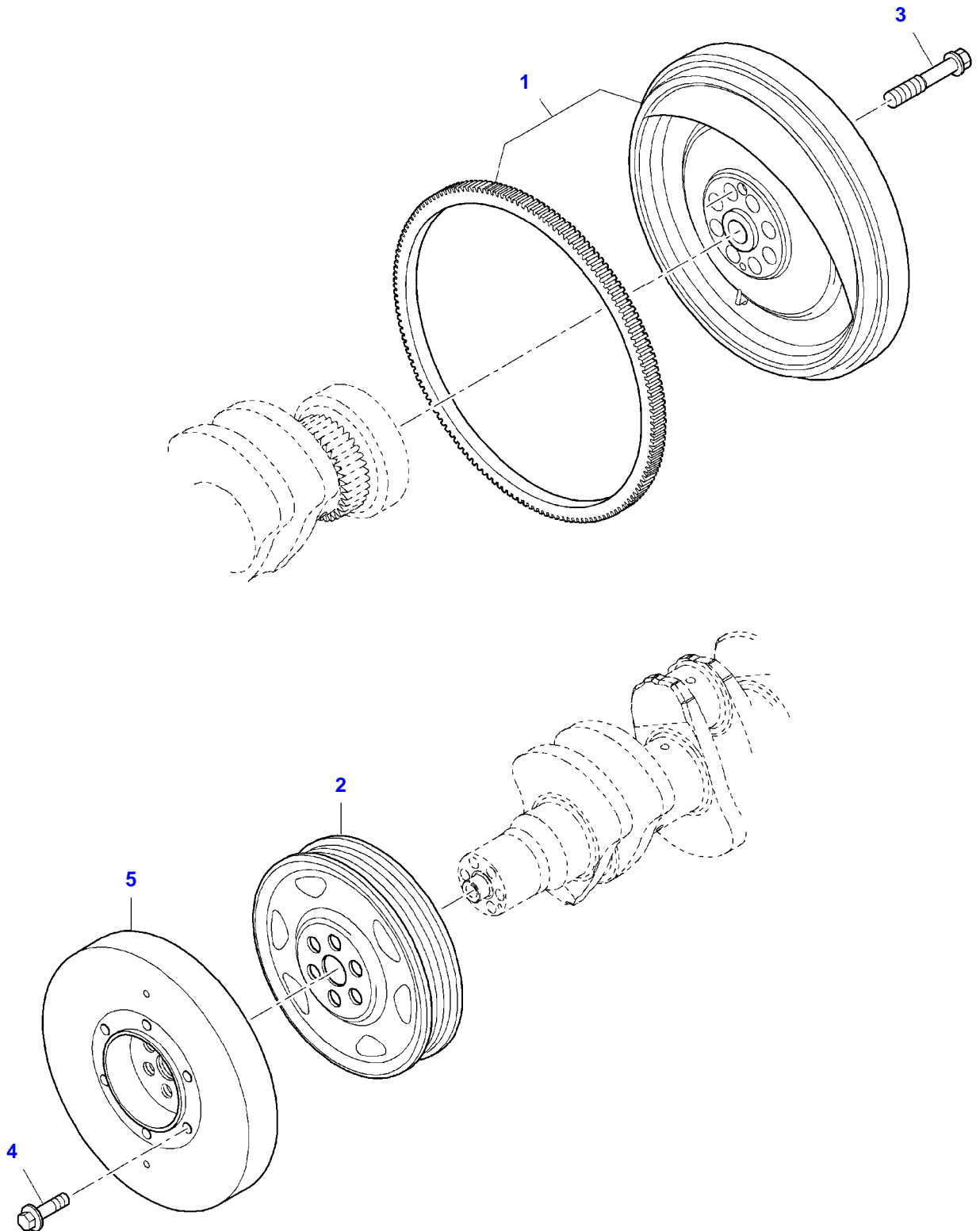


Item	Part Number	Qty	Description Comments	Technical Specification
1	LA4899026	2	DOWEL	
2	LA4899078	4	HEX CAP SCREW	
3	LA4899093	2	HEX CAP SCREW	
	LA4899073	1	HEX CAP SCREW	
4	LA4896939	3	HEX CAP SCREW	
5	LA4899678	1	GEARBOX	
6	LA4897026	1	COVERING	
7	LA4891209	2	PLUG	
8	LA4899063	8	HEX CAP SCREW	M8 X 30
9	LA4899078	5	HEX CAP SCREW	
10	LA4890832	1	SEAL	
11	LA2992504	1	ADHESIVE	
12	LA16677735	2	HEX CAP SCREW	M12 X 25
13	LA504049033	1	COVERING	
14	LA4896897	1	GASKET	



Item	Part Number	Qty	Description Comments	Technical Specification
1	LA4899026	2	DOWEL	
2	LA4899109	2	HEX CAP SCREW	M10 X 80 (1.5)
	LA4892915	10	HEX CAP SCREW	M10 X 40 (1.5)
	LA4899076	6	HEX CAP SCREW	M12 X 80
	LA4897499	2	SCREW	
3	LA2992504	1	ADHESIVE	
4	LA4895378	1	PLUG	Ø 29 MM
5	LA17288480	1	O-RING	Ø 21,81 X 3,53 MM
6	LA4895155	1	COVERING	
7	LA504033868	1	COVERING	
8	LA4890833	1	SEAL	
9	LA4899068	2	HEX CAP SCREW	M8 X 17

5250E COMBINE (551710001-999)
8020117-F5-1



Fendt

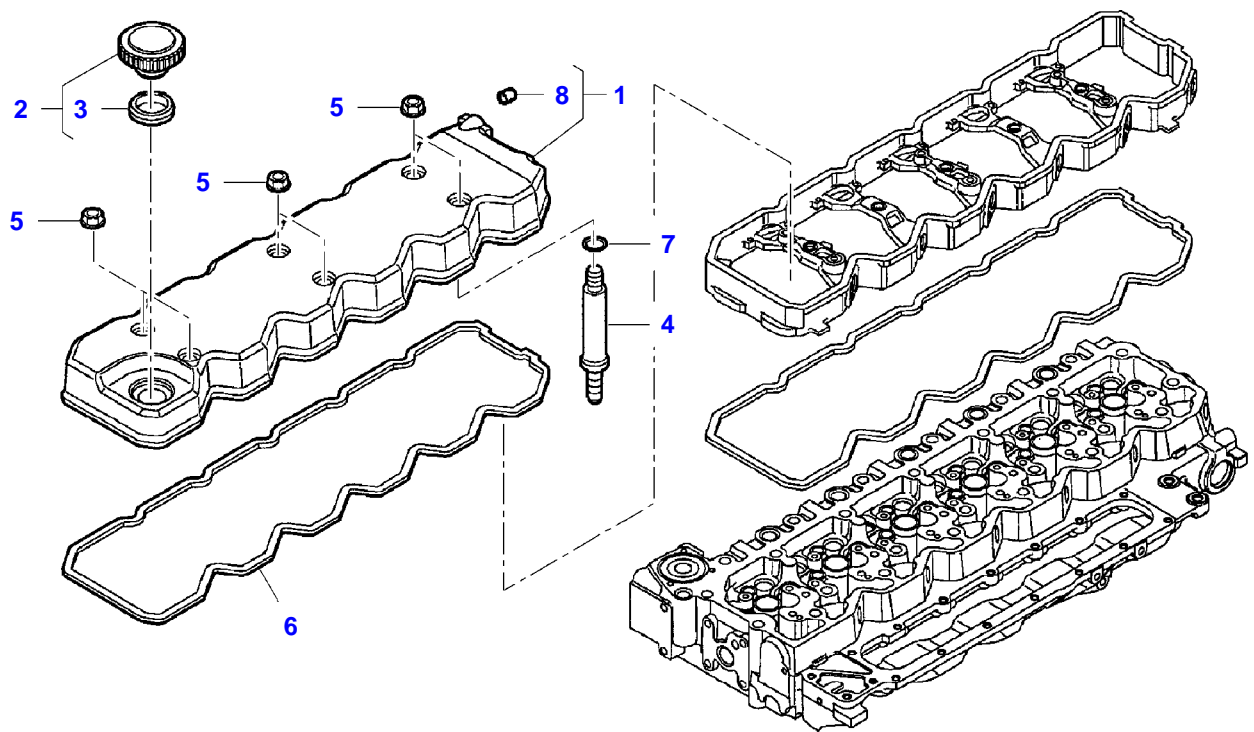
5250E COMBINE (551710001-999)

3906036

ENGINE - FLYWHEEL

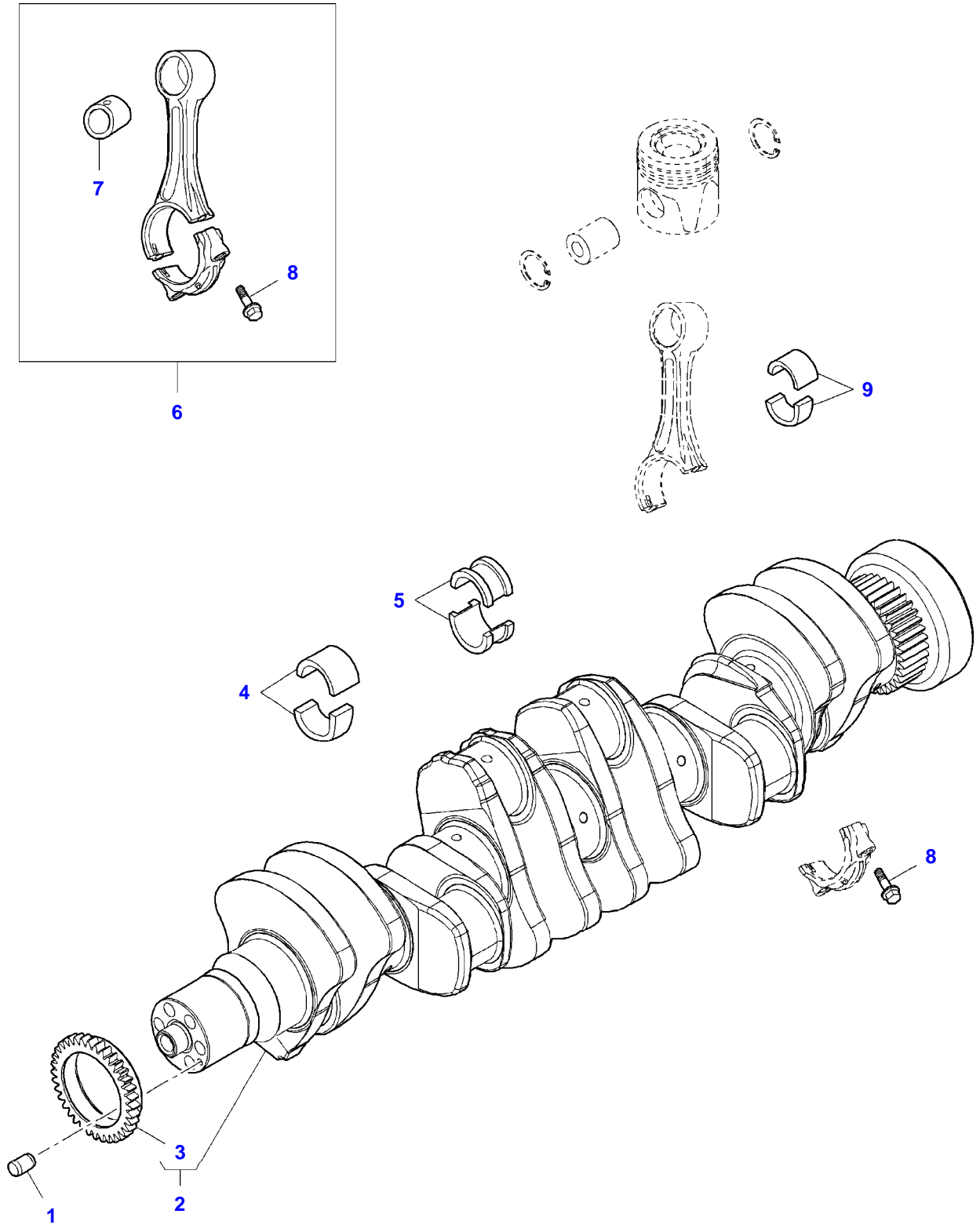
Page01-0013

Item	Part Number	Qty	Description Comments
1	LA504006952	1	FLYWHEEL
2	LA4896773	1	PULLEY
3	LA4894641	8	SCREW
4	LA4892867	6	BOLT
5	LA4892893	1	DAMPER



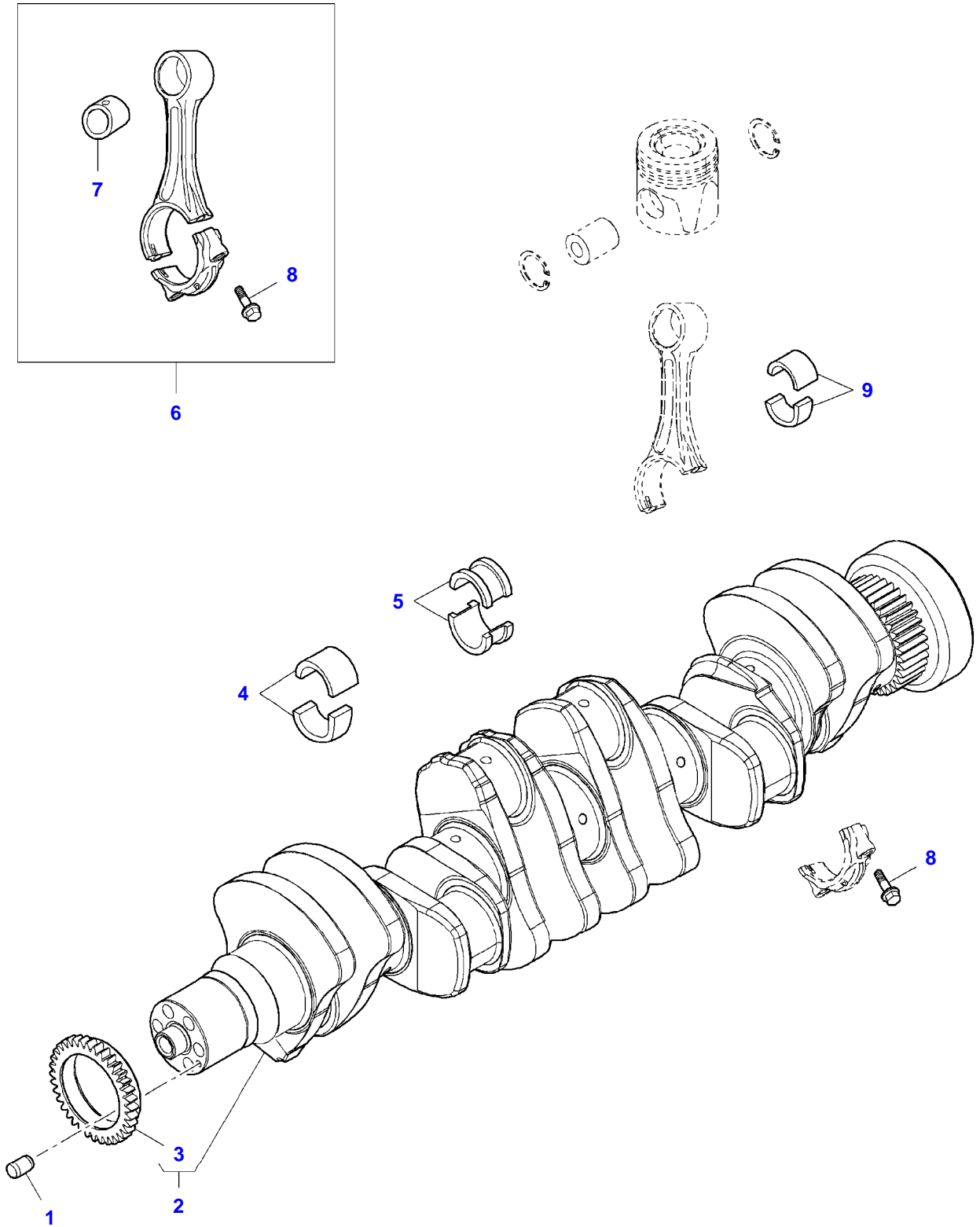
Item	Part Number	Qty	Description Comments
1	LA323015750	1	COVERING
2	LA323017750	1	PLUG
3	LA323015850	1	SEAL
4	LA504129243	6	SCREW
5	LA504075125	6	NUT
6	LA4899226	1	GASKET UP TO MACHINE S/N 551710034
	LA504070038	1	GASKET FROM MACHINE S/N 551710035
7	LA504070041	6	GASKET
8	LA4898283	1	PLUG

5250E COMBINE (551710001-999)
8021050-F5-1

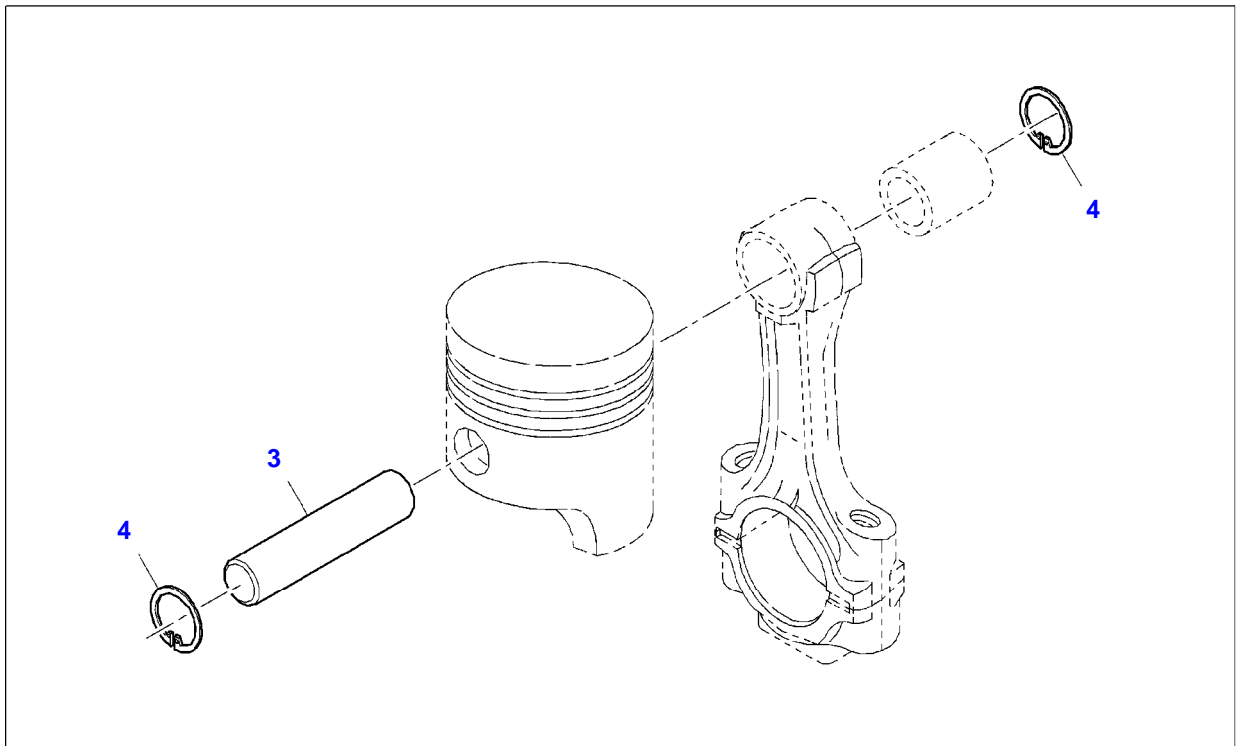
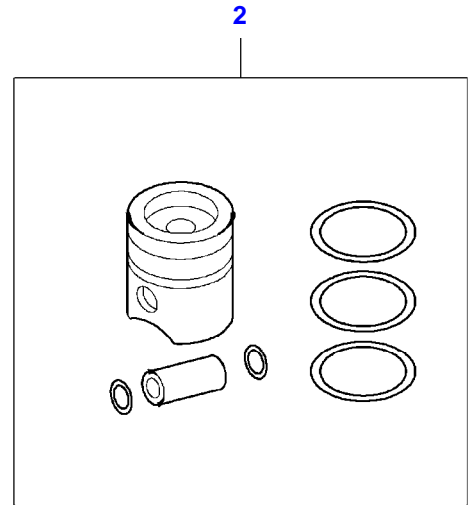
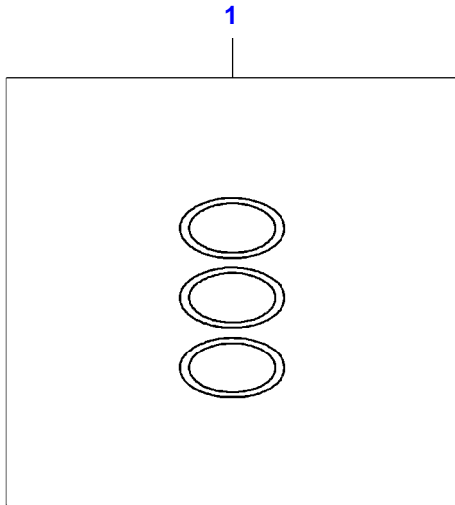


Item	Part Number	Qty	Description Comments	Technical Specification
			UP TO MACHINE S/N 551710034	
1	LA4899046	1	DOWEL	
2	LA4896766	1	MOTOR SHAFT	
3	LA4893386	1	GEAR	
4	LA2995787	6	BEARING STANDARD	
	LA2995788	6	BEARING	-0,250
	LA2995789	6	BEARING	-0,500
5	LA2995784	1	BEARING STANDARD	
	LA2995785	1	BEARING	-0,250
	LA2995786	1	BEARING	-0,500
6	LA4898808	6	CONROD	
7	LA4891178	1	BUSH	
8	LA4891179	2	SCREW	
9	LA2996044	6	CONROD BEARING STANDARD	
	LA2992151	6	CONROD BEARING	-0,250
	LA2992152	6	CONROD BEARING	-0,500

5250E COMBINE (551710001-999)
8020969-F5-1



Item	Part Number	Qty	Description Comments	Technical Specification
			FROM MACHINE S/N 551710035	
1	LA4899046	1	DOWEL	
2	LA504057571	1	MOTOR SHAFT	
3	LA4893386	1	GEAR	
4	LA2992147	6	BEARING STANDARD	
	LA2992148	6	BEARING	-0,250
	LA2992149	6	BEARING	-0,500
5	LA2995784	1	BEARING STANDARD	
	LA2995785	1	BEARING	-0,250
	LA2995786	1	BEARING	-0,500
6	LA2831298	6	PISTON ROD	
7	LA4892708	1	BUSH	
8	LA2831297	2	BOLT	
9	LA8093882	6	BEARING STANDARD	
	LA8094960	6	BEARING	-0,250
	LA8094961	6	BEARING	-0,500





Suggest:

For more complete manuals. Please go to the home page.

<https://www.ebooklibonline.com>

If the above button click is invalid. Please download this document first, and then click the above link to download the complete manual.

Thank you so much for reading

Fendt

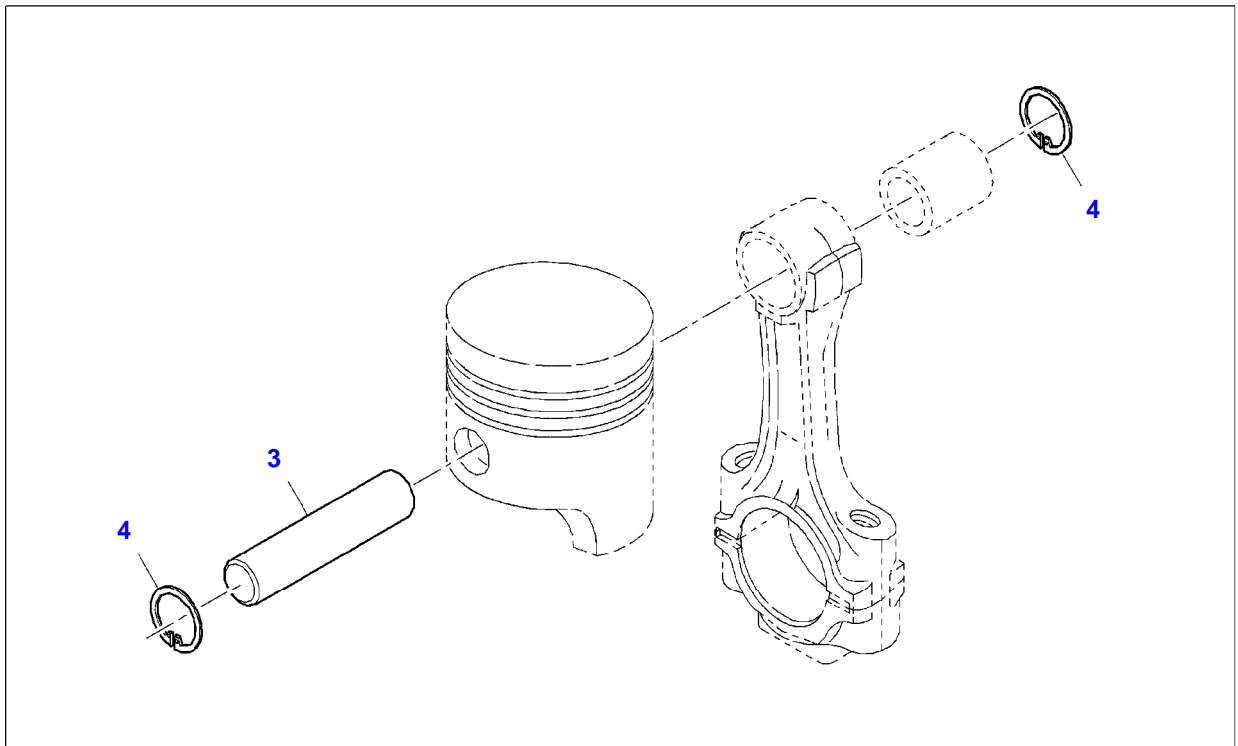
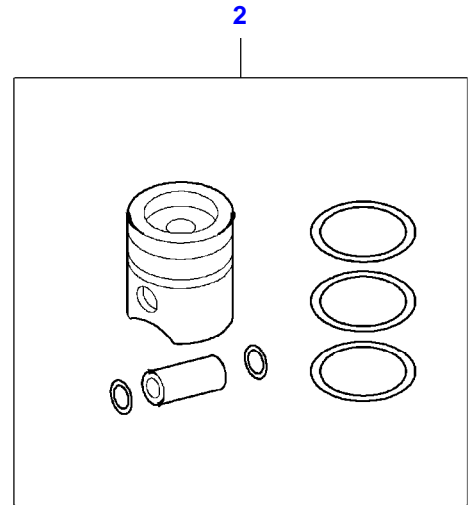
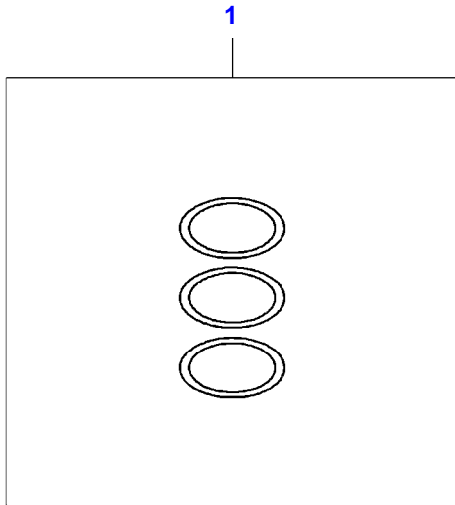
5250E COMBINE (551710001-999)

3906036

ENGINE - CRANKSHAFT AND PISTONS

Page01-0017

Item	Part Number	Qty	Description Comments	Technical Specification
			UP TO MACHINE S/N 551710034	
1	LA2992560	6	RING SET STANDARD	
	LA2992561	6	RING SET	+0,5
2	LA2992558	6	PISTON STANDARD	
	LA2992559	6	PISTON	+0,5
3	LA504046494	6	PISTON PIN	
4	LA4895088	12	CIRCLIP	



<https://www.ebooklibonline.com>

Hello dear friend!

Thank you very much for reading.

Enter the link into your browser.

The full manual is available for immediate download.

<https://www.ebooklibonline.com>