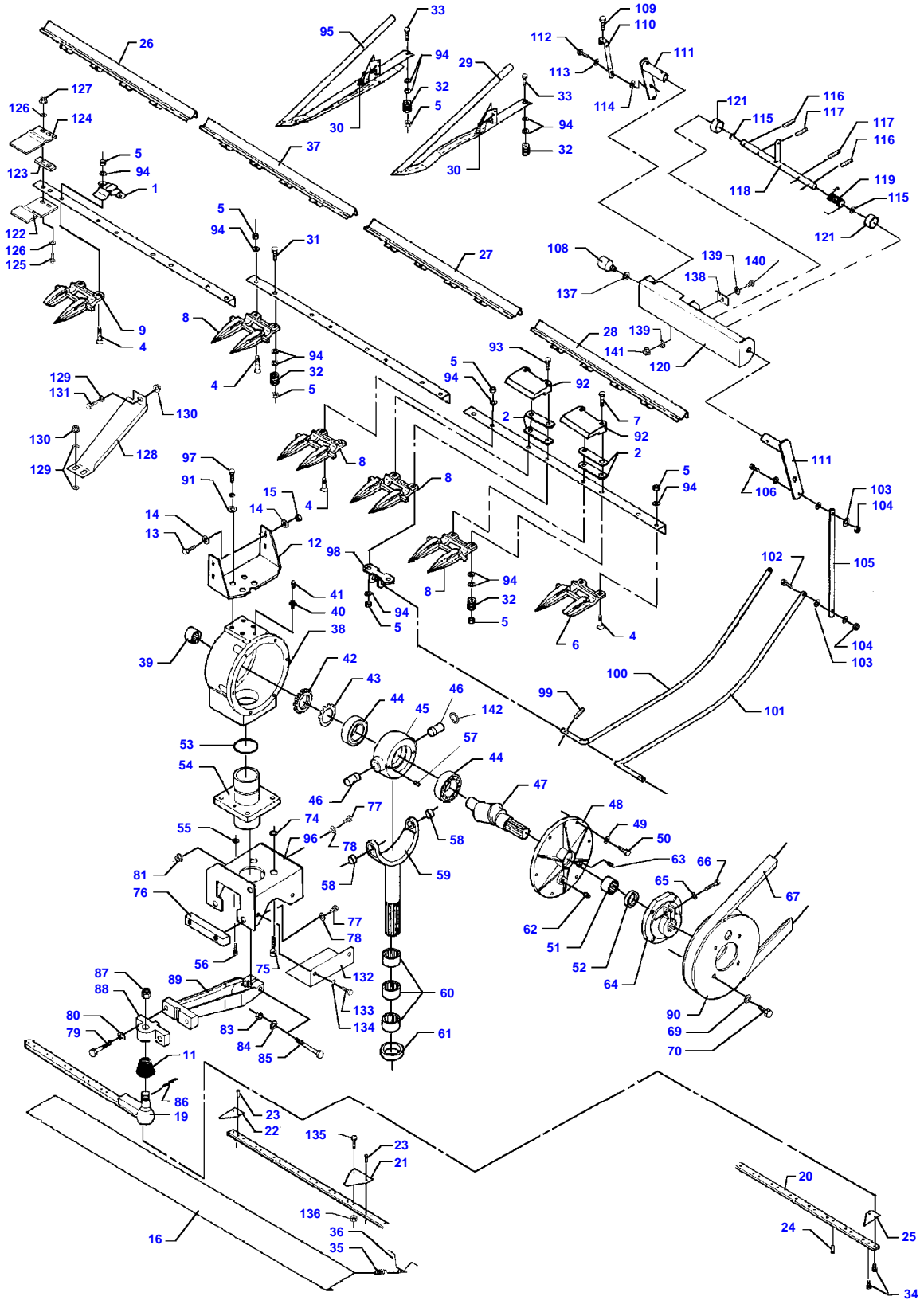


Page Title	Page Number
Knives And Fingers - Freeflow - 14' - 20'	001-0001
Table Auger Right Hand - Freeflow - 14' - 20'	001-0002
Table Auger Left Hand - Freeflow - 14' - 20'	001-0003
Guarding And Transmissions - Freeflow - 14' - 20'	001-0004
Table Housing And Guarding - Freeflow - 14' - 20'	001-0005
Knives And Fingers - Powerflow - 14' - 20'	001-0006
Table Auger Right Hand - Powerflow - 14' - 20'	001-0007
Table Auger Left Hand - Powerflow - 14' - 20'	001-0008
Guarding And Transmissions - Powerflow - 14' - 20'	001-0009
Table Housing And Guarding - Powerflow - 14' - 20'	001-0010
Powerflow Band - Left Hand - 14' - 20'	001-0011
Powerflow Band - Right Hand - 14' - 20'	001-0012
Oilseed Rape Auger	001-0013
Straw Dividers	001-0014
Table Trailer - From No 0000500	001-0015
Table Trailer - UP TO NO. 7374033	001-0016
Lightening Bracket - UP TO NO. 7374033	001-0017
Electric Vertical Knife	001-0018
Multi-Coupling - From 59116	001-0019
Decals	001-0020

5250 CERA COMBINE - 1637477  
D-ZAZA-002-B



## Knives And Fingers - Freeflow - 14' - 20'

Item	Part Number	Qty	Description	Comments
1	D28283934	13	Clip	14' - 4,34M
	D28283934	15	Clip	16' - 4,95M
	D28283934	17	Clip	18' - 5,56M
	D28283934	19	Clip	20' - 6,16M
2	D28230292	4	Shim	
4	D40551500	X	Bolt	
5	D41010800	X	Nut	
6	D44104700	1	Finger	Left Hand
7	D40067600	X	Screw	
8	D44104500	27	Finger	14' - 4,34M
	D44104500	31	Finger	16' - 4,95M
	D44104500	35	Finger	18' - 5,56M
	D44104500	39	Finger	20' - 6,16M
9	D44104600	1	Finger	Right Hand
11	D44120500	1	Cap	
12	D28283104	1	Support	Up to Serial or Engine Number 939559
13	D40405100	2	Hex. Sock. Screw	
14	D20400414	4	Washer	
15	394367X1	2	Locknut	
16	D28200314	1	Guard	16' - 20' 4,95M - 6,16M
	D28230831	1	Guard	14' - 20' 4,34M - 6,16M
	D28200738	1	Guard	16' - 20' 4,95M - 6,16M
	D28230830	2	Guard	18' - 5,56M
	D28230830	1	Guard	14' - 4,34M
19	D28283009	2	Blade	18' - 5,56M
	D28283010	2	Blade	20' - 6,16M
	D28283307	2	Blade	14' - 4,34M
	D28283308	2	Blade	16' - 4,95M
	D28283011	2	Knife Head	
20	D28281490	2	Knife Back	16' - 4,95M
	D28281491	2	Knife Back	18' - 5,56M
	D28281492	2	Knife Back	20' - 6,16M
	D28281493	2	Knife Back	22' - 6,77M
21	D44103700	X	Section	OPTIONAL
22	D44103800	2	Half Section	
23	D41306100	X	Rivet	OPTIONAL
24	D41306200	X	Rivet	OPTIONAL
25	D44104000	2	Half Section	Left Hand
26	D18283701	1	Stone Trap	Right Hand
27	D18283705	1	Stone Trap	18' 5,56M
	D18283706	1	Stone Trap	20' 6,16M
28	D18283702	1	Stone Trap	
29	D49040900	X	Ear Lifter	
30	D49040400	X	Spring	
31	D40426000	X	Hex. Sock. Screw	
32	D49040600	X	Roller	
33	D40426000	X	Hex. Sock. Screw	
34	D40402400	2	Hex. Sock. Screw	
35	D26500317	2	Spring	(16)
36	D28230841	2	Spring	(16)
37	D58283703	1	Stone Trap	14' - 4,34M
	D18283704	1	Stone Trap	16' - 4,95M
38	D28281324	1	Wobble Drive	[B] Cpl.
	D44127800	1	Box	[B] (38)
	D28281324	1	Wobble Drive	[C] Cpl.
	D44126500	1	Box	[C]
39	D44128800	1	Bearing Needle	(38)
40	D44129400	1	Connector	(38)
41	D46116500	1	Valve	(38)

**<https://www.ebooklibonline.com>**

Hello dear friend!

Thank you very much for reading.

Enter the link into your browser.

The full manual is available for immediate download.

**<https://www.ebooklibonline.com>**

Item	Part Number	Qty	Description	Comments
42	D44129100	1	Nut	(38)
43	D44129200	1	Washer	(38)
44	D41668400	2	Roller Bearing	(38)
45	D44127900	1	Housing	[B] (38)
	D44126400	1	Housing	[C] (38)
46	D44128000	2	Journal	[B] (38)
	D44125900	1	Journal	[C] (38)
47	D44129300	1	Shaft	(38)
48	D44128200	1	Cover	[B] (38)
	D44126300	1	Cover	[C] (38)
49	D41102100	6	Washer	(38)
50	D40404900	6	Hex. Sock. Screw	(38)
51	D41669700	1	Bearing Needle	(38)
52	D45412000	1	Gasket	(38)
53	D45481500	1	O Ring	(38)
54	D44128300	1	Bearing Carrier	[B] (38)
	D44126200	1	Bearing Carrier	[C] (38)
55	D41102100	2	Washer	(38)
56	D40697200	2	Screw	[B] (38)
	D40697700	2	Screw	[C] (38)
57	D40639600	2	Pin	[B] (38)
58	D44128400	2	Bush	[B] (38)
	D44126100	2	Bush	[C] (38)
59	D44128500	1	Yoke	[B] (38)
	D44126000	1	Yoke	[C] (38)
60	D41669800	3	Bearing Needle	(38)
61	D45409500	1	Gasket	(38)
62	D44128600	1	Plug	(38)
63	D45236200	1	Plug	(38)
64	D44127100	1	Hub	(38)
65	D41100900	1	Spring Washer	(38)
66	D40694000	1	Screw	(38)
67	<b>D41985600</b>	1	Belt	
69	D20400426	4	Washer	
70	D40410900	4	Hex. Sock. Screw	
74	D20400522	4	Spacer	
75	D40465400	4	Screw	
76	D28283103	1	Clamp	
77	D40416500	5	Hex. Sock. Screw	
78	D20400461	5	Washer	
79	D40698400	2	Screw	
80	D20400438	2	Washer	
81	D41087900	2	Locknut	
83	D41087700	1	Locknut	
84	D20400428	1	Washer	
85	D40429400	1	Hex. Sock. Screw	
86	D41409100	1	Split Pin	
87	<b>D41054300</b>	1	Nut	
88	D44126900	1	Flange	
89	D44127000	1	Swivel Arm	
90	D44127200	1	Pulley	
91	D28280986	4	Washer	

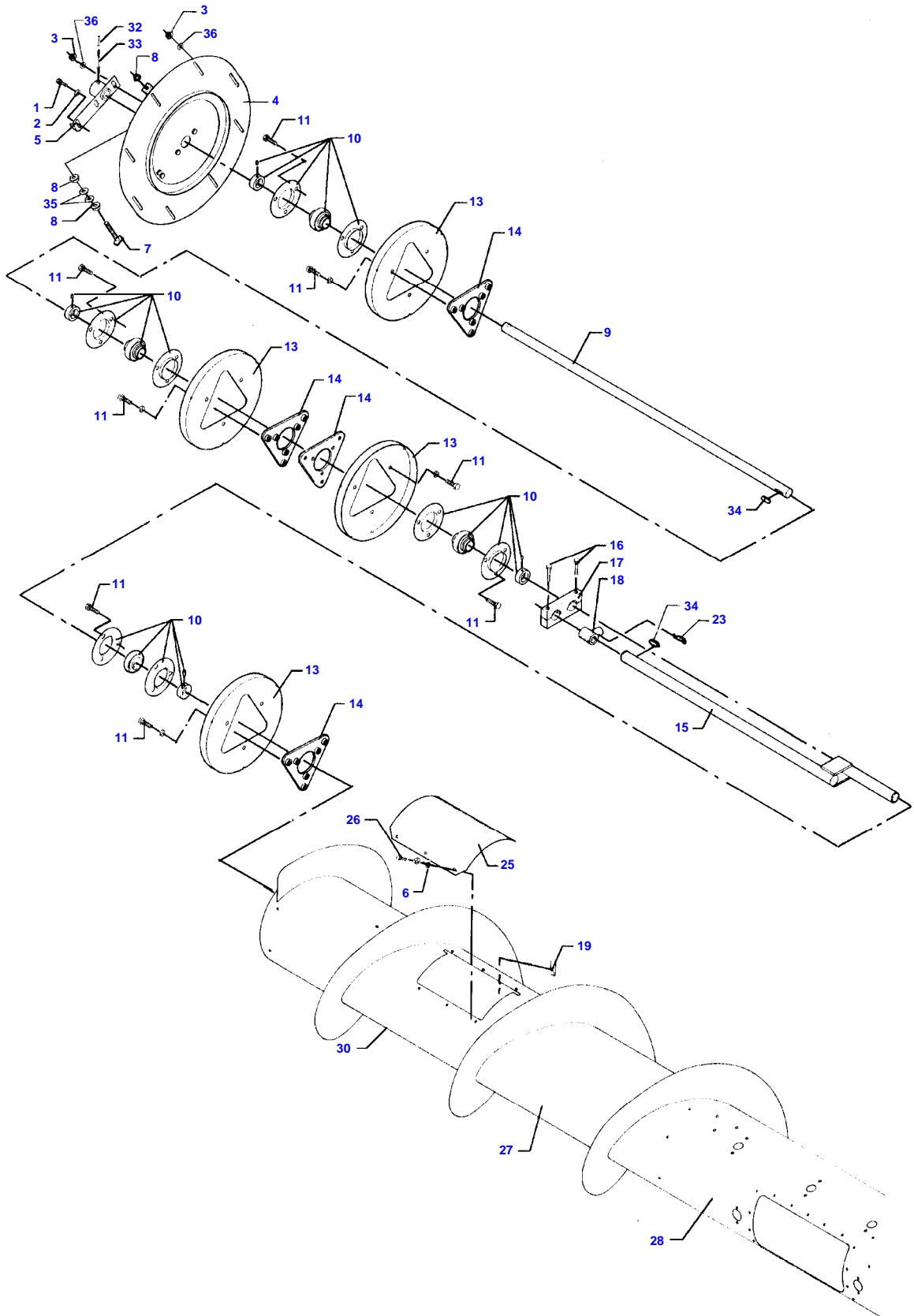
Item	Part Number	Qty	Description	Comments
92	<b>D28260362</b>	X	Clip	
93	D40067200	X	Screw	
94	D20400419	X	Washer	
95	D49040300	X	Ear Lifter	
96	D28283109	1	Support	
97	D40405100	4	Hex. Sock. Screw	
98	D28284356	4	Fitting	[A]
99	D42611800	8	Pin	[A]
100	D28284257	2	Sensor	[A]
101	D28284258	2	Sensor	[A]
102	D40405300	4	Screw	[A]
103	D20400506	20	Washer	[A]
104	394367X1	8	Locknut	[A]
105	D28284223	4	Link	[A]
106	D40423600	4	Hex. Sock. Screw	[A]
108	<b>D28780523</b>	2	Potentiometer	[A]
109	D40464900	2	Screw	[A]
110	D28780845	2	Rod	[A]
111	D28284225	4	Lever	[A]
	D28284234	4	Lever	[A]
112	D40402700	2	Hex. Sock. Screw	[A]
113	D20400404	2	Washer	[A]
114	1441462X1	2	Locknut	[A]
115	D28200551	4	Washer	[A]
116	D42611900	8	Pin	[A]
117	D42612300	4	Pin	[A]
118	D28284232	2	Shaft	[A]
119	D28284389	2	Spring	[A]
120	D28284222	2	Support	AUTO LEVEL 16' - 4,95M
	D28284229	2	Support	AUTO LEVEL 18' - 22' 5,56M - 6,77M
121	D28284456	4	Bush	[A]
122	D28281576	1	Plate	
123	D28281575	1	Shim	
124	D28281574	1	Plate	
125	D40423700	2	Hex. Sock. Screw	
126	D20400506	2	Washer	
127	394367X1	2	Locknut	
128	D28281572	1	Guard	
129	D20400506	3	Washer	
130	D41017500	3	Locknut	
131	D40405000	1	Hex. Sock. Screw	
132	D28281706	1	Guard	Replace and repair. Old interchangeable with new D58281706
133	D40404700	2	Hex. Sock. Screw	
134	D20400506	2	Washer	
135	D40402400	X	Hex. Sock. Screw	Alternative D41306100
136	1441462X1	X	Locknut	Alternative D41306100 Replace and repair. Old not interchangeable with new D41087400
137	D20400441	1	Washer	
138	D28284268	2	Stop	
139	D20400416	4	Washer	
140	D40404900	2	Hex. Sock. Screw	
141	394367X1	2	Locknut	
142	D45483000	1	O Ring	[C]

**FOOTNOTE [A]** OPTIONAL EQUIPMENT AUTO LEVEL

**FOOTNOTE [B]** USED ONLY IN KNIFE DRIVES WITH 6 HOLES IN BEARING HOUSING BOTTOM

**FOOTNOTE [C]** USED ONLY IN KNIFE DRIVES WITH 8HOLES IN BEARING HOUSING BOTTOM AND BULGES SIDES

5250 CERA COMBINE - 1637477  
D-ZAZB-002-A



Item	Part Number	Qty	Description	Comments
1	D40404700	1	Hex. Sock. Screw	
2	D20400506	1	Washer	
3	D41017500	10	Locknut	
4	D18280040	1	Plate	
5	D28283029	1	Adjuster	
6	D20400470	6	Washer	
7	D28211023	1	Bolt	
8	D41087600	2	Locknut	
9	D28283036	1	Shaft	18' - 5,56M
	D28283037	1	Shaft	20' - 6,16M
				Up to Serial or Engine Number 940147
	D28284655	1	Shaft	20' - 6,16M
				From Serial or Engine Number 940148
	D28283767	1	Shaft	14' - 4,34M
	D28283768	1	Shaft	16' - 4,95M
10	D41707800	4	Bearing	
11	D40407900	24	Hex. Sock. Screw	
13	D28280014	4	Plate	
14	D28283847	4	Bearing Plate	
15	D28283016	1	Crankshaft	14-16-18' 4,34-4,95-5,56M
	D28285977	1	Crankshaft	20' - 6,16M
16	D40426100	2	Hex. Sock. Screw	
17	D28283039	1	Arm	
18	<b>D28251831</b>	15	Bearing Carrier	
19	D43428200	6	Nut	
23	D28283853	15	Hair Pin	
25	D58283070	1	Cover	Up to Serial or Engine Number 939559
	D18285312	1	Cover	From Serial or Engine Number 939560
26	D40402600	6	Hex. Sock. Screw	
27	D58283125	1	Table Auger	20' - 6,16M
				Up to Serial or Engine Number 940147
	D58283134	1	Table Auger	18' - 5,56M
				940147
	D58283789	1	Table Auger	14' - 4,34M
				Up to Serial or Engine Number 940147
	D58283790	1	Table Auger	16' - 4,95M
				Up to Serial or Engine Number 940147
	D18285988	1	Table Auger	14' - 4,34M
				From Serial or Engine Number 940148
	D18285989	1	Table Auger	16' - 4,95M
				From Serial or Engine Number 940148
	D18285990	1	Table Auger	18' - 5,56M
				From Serial or Engine Number 940148
	D18285991	1	Table Auger	20' - 6,16M
				From Serial or Engine Number 940148
28	D28283012	1	Body	
30	D28283032	1	Body	Right Hand 18' - 5,56M
				Up to Serial or Engine Number 940147
	D28286011	1	Tube	Right Hand 18'
				From Serial or Engine Number 940148
	D28283034	1	Body	Right Hand 20' - 6,16M
				Up to Serial or Engine Number 940147
	D28286012	1	Body	Right Hand 20'
				From Serial or Engine Number 940148
	D28283792	1	Body	Right Hand 14' - 4,34M
				Up to Serial or Engine Number 940147
	D28286009	1	Tube	Right Hand 14'
				From Serial or Engine Number 940148
	D28283795	1	Body	Right Hand 16' - 4,95M
				Up to Serial or Engine Number 940148
	D28286010	1	Tube	Right Hand 16'
				From Serial or Engine Number 940148
32	D42616400	1	Pin	
33	D42625300	1	Pin	
34	D43104700	2	Key	
35	D20400471	2	Washer	

Fendt

5250 CEREAL COMBINE - 1637477

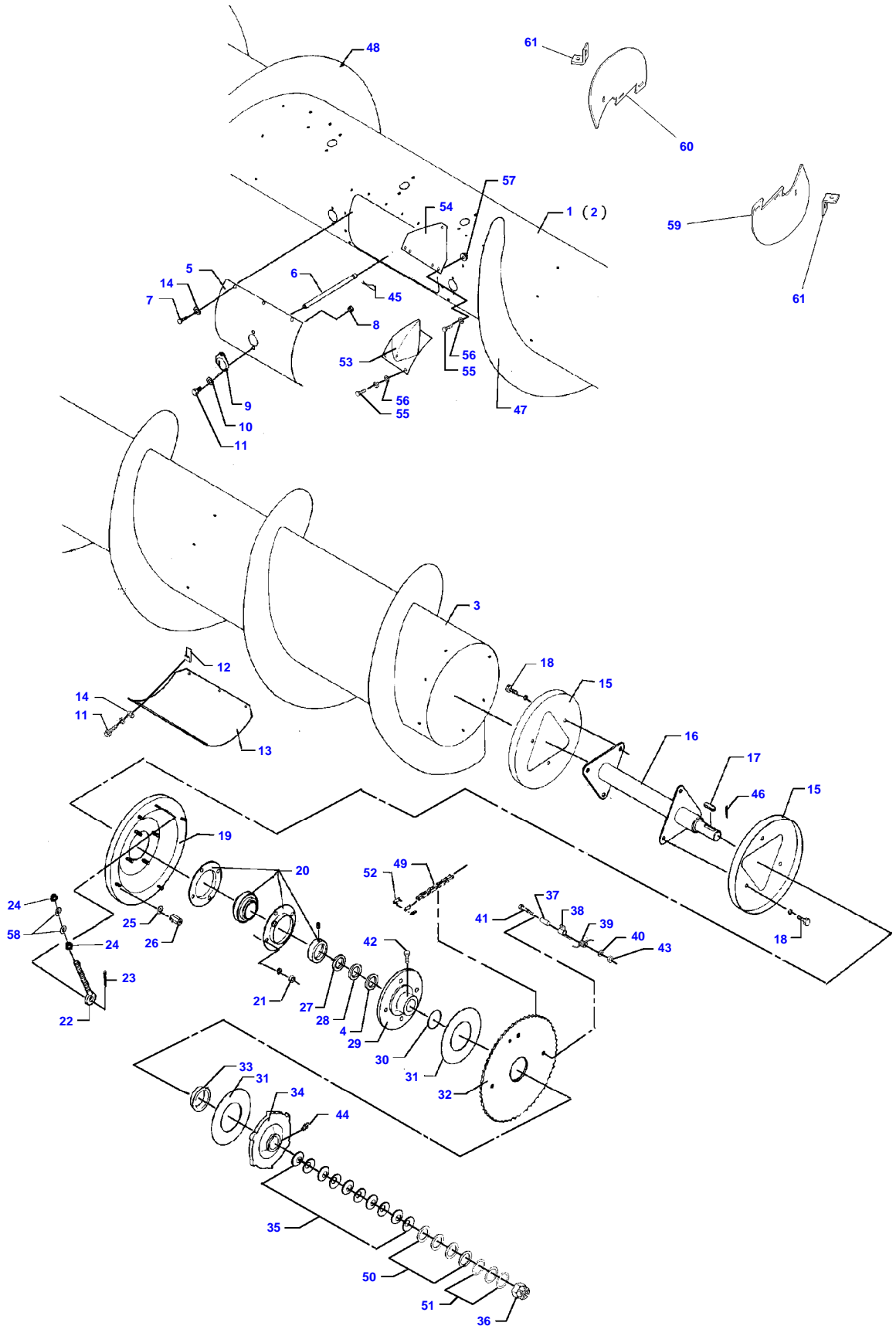
1637477

Table Auger Right Hand - Freeflow - 14' - 20'

Page001-0002

Item	Part Number	Qty	Description	Comments
36	D20400414	X	Washer	

5250 CERA COMBINE - 1637477  
D-ZAZC-009-A

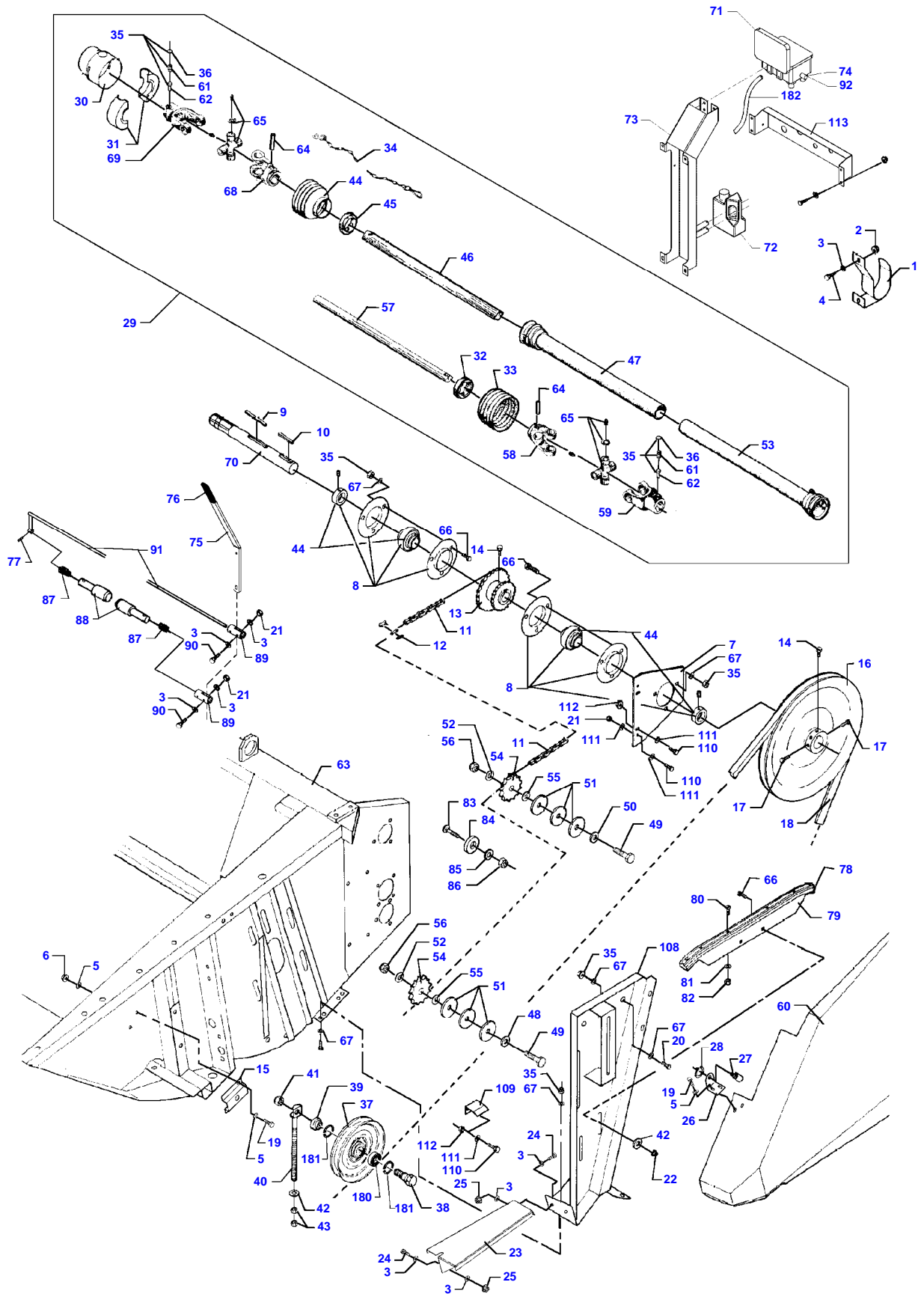


## Table Auger Left Hand - Freeflow - 14' - 20'

Item	Part Number	Qty	Description	Comments
1	D58283125	1	Table Auger	20' - 6,16M Up to Serial or Engine Number 940147
	D58283134	1	Table Auger	18' - 5,56M Up to Serial or Engine Number 940147
	D58283789	1	Table Auger	14' - 4,34M Up to Serial or Engine Number 940147
	D58283790	1	Table Auger	16' - 4,95M Up to Serial or Engine Number 940147
	D18285988	1	Table Auger	14' - 4,34M From Serial or Engine Number 940148
	D18285989	1	Table Auger	16' - 4,95M From Serial or Engine Number 940148
	D18285990	1	Table Auger	18' - 5,56M From Serial or Engine Number 940148
	D18285991	1	Table Auger	20' - 6,16M From Serial or Engine Number 940148
2	D28283012	1	Body	
3	D28286006	1	Body	Left Hand 20' - 6,16M
	D28286004	1	Body	Left Hand 18' - 5,56M
	D28286002	1	Body	Left Hand 14' - 4,34M
	D28286000	1	Body	Left Hand 16' - 4,95M
4	D41653500	X	Washer	OPTIONAL
5	D18283078	1	Cover	
6	<b>D28283815</b>	15	Finger	
7	D40402400	X	Hex. Sock. Screw	
8	1441462X1	X	Locknut	Replace and repair. Old not interchangeable with new D41087400
9	<b>D28283060</b>	15	Bush	
10	D20400404	X	Washer	
11	D40402600	X	Hex. Sock. Screw	
12	D43428200	6	Nut	
13	D58283070	1	Cover	Up to Serial or Engine Number 939559
	D18285312	1	Cover	From Serial or Engine Number 939560
14	D20400470	6	Washer	
15	D28280014	2	Plate	
16	D28283007	1	Drive Shaft	
17	D43106800	1	Key	
18	D40407600	6	Hex. Sock. Screw	
19	D18283053	1	Plate	
20	D41716500	1	Bearing	
21	D41010900	4	Nut	
22	D28281387	1	Screw	
23	D41408900	1	Split Pin	
24	D41010800	2	Nut	
25	D20400415	4	Washer	
26	D28280729	4	Nut	
27	D41653500	X	Washer	
28	D41653500	4	Washer	
29	D28283004	1	Washer	
30	D45481600	1	O Ring	
31	<b>D45904300</b>	2	Friction Disc	
32	D28283008	1	Sprocket	Up to Serial or Engine Number 937852
	D28286047	1	Sprocket	From Serial or Engine Number 937853
33	D28283000	1	Insert	Up to Serial or Engine Number 937852
	D28286049	1	Insert	From Serial or Engine Number 937853
34	D28286166	1	Clutch Disc	
35	D41112400	10	Washer	
36	D41054100	1	Castle Nut	
37	D28281431	1	Spacer	
38	D28281432	1	Support	
39	D28283006	1	Spring	
40	D20400507	1	Spacer	
41	D40426100	1	Hex. Sock. Screw	
42	D40405000	1	Hex. Sock. Screw	
43	D41087600	1	Locknut	
44	D43001500	1	Grease Fitting	
45	D28283853	15	Hair Pin	
46	D41408800	1	Split Pin	

Item	Part Number	Qty	Description	Comments
47	D28286018	1	Auger	20' - 6,16M
	D28280051	1	Auger	18' - 5,56M
	D28280052	1	Auger	16' - 4,95M
	D28280988	1	Auger	14' - 4,34M
48	D28286019	1	Auger	20' - 6,16M
	D28280053	1	Auger	18' - 5,56M
	D28280054	1	Auger	16' - 4,95M
	D28280989	1	Auger	14' - 4,34M
49	<b>D42329300</b>	1	Chain	
50	D20400520	4	Spacer	
51	D20400522	3	Spacer	
52	<b>D42365100</b>	1	Link	
53	D28283294	4	Spike	
54	D28281694	4	Threaded Part	
55	D40404900	20	Hex. Sock. Screw	
56	D20400506	20	Washer	
57	394367X1	12	Locknut	
58	D20400471	2	Washer	
59	D28285967	1	Auger Extension	Left Hand 20'-6,16M
60	D28285968	1	Auger Extension	Right Hand 20'-6,16M
61	D28285981	1	Bracket	20'-6,16M

5250 CERA COMBINE - 1637477  
D-ZAZD-002-B



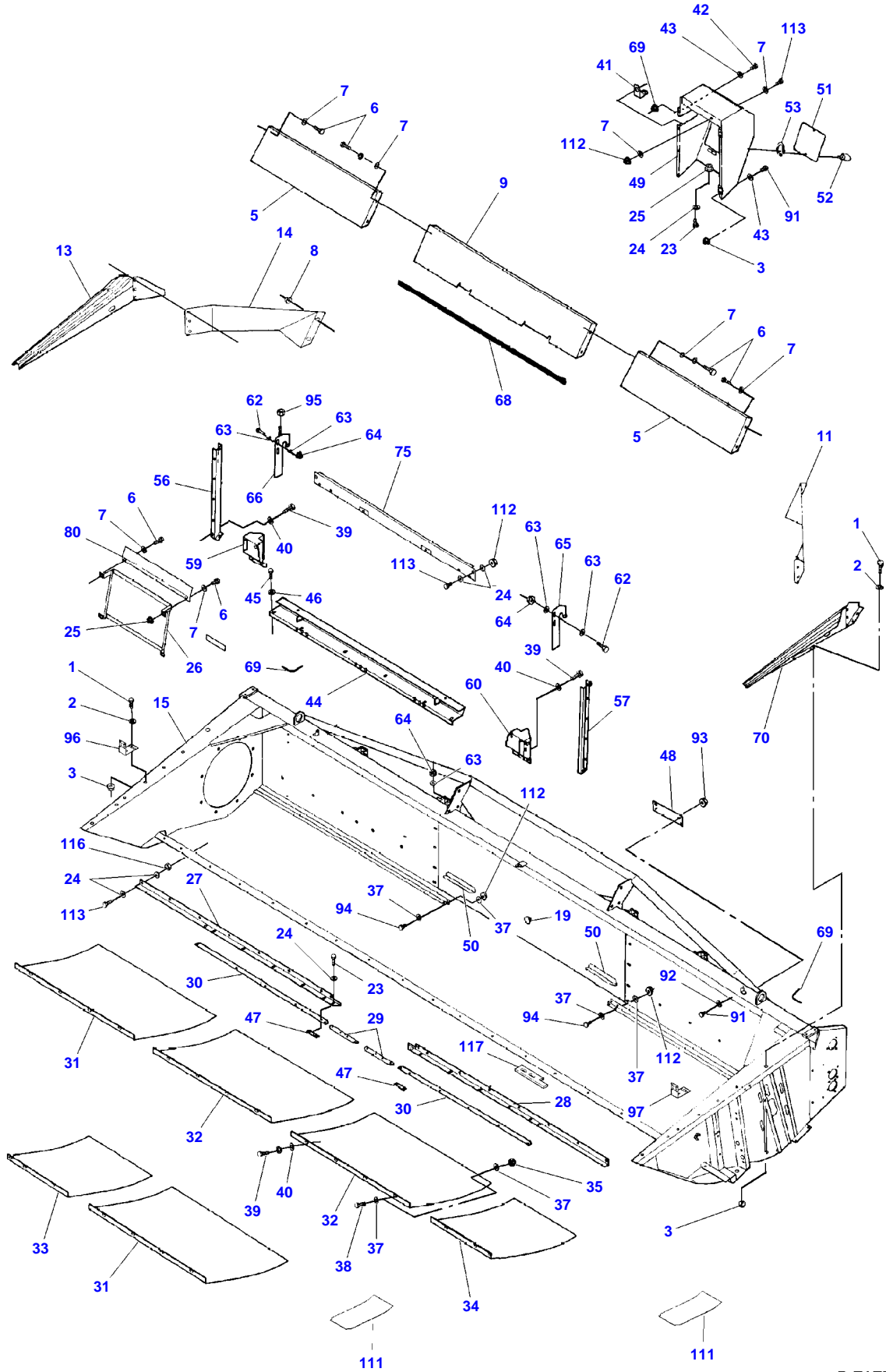
Item	Part Number	Qty	Description	Comments
1	D28281345	1	Stirrup	Up to Serial or Engine Number 59115
2	394367X1	X	Locknut	
3	D20400506	X	Washer	
4	D40404700	X	Hex. Sock. Screw	
5	D20400470	X	Washer	
6	1441462X1	X	Locknut	Replace and repair. Old not interchangeable with new D41087400
7	D28285302	1	Bearing Carrier	
8	D41707800	2	Bearing	
9	D43114900	1	Key	
10	D43105000	1	Key	
11	<b>D42329300</b>	1	Chain	
12	<b>D42365100</b>	1	Link	
13	D28280225	1	Sprocket	
14	D40466200	X	Setscrew	
15	D28281578	1	Retainer	
16	D28285423	1	Pulley	
17	D40697900	3	Screw	
18	<b>D41985600</b>	1	Belt	
19	D40402600	X	Hex. Sock. Screw	
20	D40407700	4	Hex. Sock. Screw	
21	394367X1	X	Locknut	
22	D41087600	X	Locknut	
23	D28281570	1	Plate	
24	D40405000	3	Hex. Sock. Screw	
25	394367X1	3	Locknut	
26	D28281577	1	Angle.	
27	D43427500	1	Pin	
28	D42555500	1	Circlip	
29	D45608900	1	Shaft	14' - 4,34M
	D45609000	1	Shaft	16' - 4,95M
	D45609100	1	Shaft	18' - 20' 5,56M - 6,16M
30	D45632900	1	Bush	
31	D45633000	1	Ring	
32	D45630700	1	Ring	
33	D45630500	1	Guard	
34	D45681800	2	Chain	
35	D45632400	2	Tube	
36	D45645700	2	Washer	
37	D28760574	1	Pulley	Valid from machine/table no,can be used in new as well as in older machines 938215
38	D28760156	1	Screw	
39	D28760155	1	Bush	
40	D28260181	1	Bolt	
41	D41087900	X	Locknut	
42	D20400416	X	Washer	
43	D41010800	X	Nut	
44	D45630400	1	Guard	
45	D45630600	1	Ring	
46	D45631100	1	Tube	18' - 20' 5,56M - 6,16M
	D45632800	1	Tube	16' - 4,95M
47	D45631900	1	Tube	18' - 20' 5,56M - 6,16M
	D45632600	1	Tube	16' - 4,95M
48	D28181284	1	Washer	
49	D40433600	2	Hex. Sock. Screw	
50	D20400463	1	Washer	
51	D20400460	6	Washer	
52	D20400459	2	Washer	
53	D45632100	1	Tube	14' - 4,34M
	D45632300	1	Tube	18' - 20' 5,56M - 6,16M
	D45632500	1	Tube	16' - 4,95M
54	D41716800	2	Tightener	
55	D20400516	X	Spacer	OPTIONAL
56	D41087900	2	Locknut	

Item	Part Number	Qty	Description	Comments
57	D45631500	1	Tube	18' - 20' 5,56M - 6,16M
	D45632700	1	Tube	16' - 4,95M
58	D45630100	1	Yoke	
59	D45633200	1	Yoke	
60	D58281583	1	Guard	
61	D45667300	2	Spring	
62	D45665300	2	Pin	
63	D18286026	1	Table	20' - 6,16M
	D18286023	1	Table	14' - 4,34M
	D18286024	1	Table	16' - 4,95M
	D18286025	1	Table	
64	D42619100	2	Pin	
65	D45630300	2	Hub	
66	D40066800	8	Screw Special	
67	D20400419	X	Washer	
68	D45630200	1	Yoke	
69	D45633100	1	Yoke	
70	D28284404	1	Shaft	
71	D28785641	1	Clutch	[A] Up to Serial or Engine Number 59115
72	D45148900	1	Container	[A] Up to Serial or Engine Number 59115
73	D28285296	1	Bracket	[A] Up to Serial or Engine Number 59115
74	D45140037	2	Screw	[A]
75	D28285536	1	Lever	
76	D43484900	1	Lever	
77	D42612200	X	Pin	
78	D28280787	1	Rail	
79	D28281365	1	Crossmember	Replace and repair. Old interchangeable with new D58281365
80	D40609300	6	Screw	
81	D20400466	6	Washer	
82	D41087200	6	Locknut	
83	D40073100	1	Screw	
84	D28280981	1	Spacer	
85	D20400459	1	Washer	
86	D41087900	1	Locknut	
87	D27100794	2	Spring	
88	D28283200	1	Shaft	
89	D28285535	2	Fork	
90	D40423900	X	Hex. Sock. Screw	
91	D28285531	1	Journal	
92	D45140038	2	Ring	[A] Up to Serial or Engine Number 59115
108	D18283090	1	Plate	
109	D18283098	1	Fitting	
110	D40404900	X	Hex. Sock. Screw	
111	D20400506	X	Washer	
112	394367X1	X	Locknut	
113	D18285215	1	Bracket	Up to Serial or Engine Number 59115
180	D41622700	1	Bear. 6204 2rs	Valid from machine/table no,can be used in new as well as in older machines 938215
181	339199X1	2	Circlip	Valid from machine/table no,can be used in new as well as in older machines 938215
182	D45702000	1	Hose	Up to Serial or Engine Number 59115
183	D45140044	1	Clutch	[B] From Serial or Engine Number 59116 See Page - Reference Number 001-0019/16

FOOTNOTE [A] OPTIONAL EQUIPMENT

FOOTNOTE [B] NOT ILLUSTRATED

5250 CERA COMBINE - 1637477  
D-ZAZE-010-A



D-ZAZE-010-A

## Table Housing And Guarding - Freeflow - 14' - 20'

Item	Part Number	Qty	Description	Comments
1	D40402400	X	Hex. Sock. Screw	
2	D20400470	X	Washer	
3	1441462X1	X	Locknut	
5	D58283237	2	Cowl	18' - 5,56M
	D58283238	2	Cowl	20' - 6,16M
	D58283427	2	Cowl	16' - 4,95M
	D58283428	2	Cowl	14' - 4,34M
6	D40404900	X	Hex. Sock. Screw	
7	D20400506	X	Washer	
8	394367X1	X	Locknut	
9	D58283236	1	Cowl	
11	D58283233	1	Cowl	
13	D58283516	1	Side	
14	D58283232	1	Cowl	
15	D18286023	1	Table	14' - 4,34M
	D18286024	1	Table	16' - 4,95M
	D18286025	1	Table	18' - 5,56M
	D18286026	1	Table	20' - 6,16M
19	D45745300	X	Plug	
23	D40404900	X	Hex. Sock. Screw	
24	D20400506	X	Washer	
25	394367X1	X	Locknut	
26	D58285767	1	Bracket	18' - 20' 5,56M - 6,16M
	D58285768	1	Bracket	14' - 16' 4,34M - 4,95M
27	D28281802	1	Deflector	Right Hand 16' - 4,95M
	D28281804	1	Deflector	Right Hand 18' - 5,56M
	D28281806	1	Deflector	Right Hand 20' - 6,16M
	D28282208	1	Deflector	Right Hand 14' - 4,34M Replace and repair. Old interchangeable with new D58282208
28	D28281801	1	Deflector	Left Hand 16' - 4,95M
	D28281803	1	Deflector	Left Hand 18' - 5,56M
	D28281805	1	Deflector	Left Hand 20' - 6,16M
	D28282207	1	Deflector	Left Hand 14' - 4,34M Replace and repair. Old interchangeable with new D58282207
29	D28280781	2	Retainer	
30	D28283324	2	Deflector	20' - 6,16M
	D28283325	2	Deflector	18' - 5,56M
	D28283326	2	Deflector	16' - 4,95M
	D28283327	2	Deflector	Replace and repair. Old interchangeable with new D58283327 14' - 4,34M
31	D28283256	3	Wearplate	Replace and repair. Old interchangeable with new D58283256 16' - 4,95M
	D28283256	2	Wearplate	Replace and repair. Old interchangeable with new D58283256 18' - 5,56M
	D28283256	4	Wearplate	Replace and repair. Old interchangeable with new D58283256 20' - 6,16M
	D28283256	1	Wearplate	Replace and repair. Old interchangeable with new D58283256 14' - 4,34M
32	D28283255	2	Wearplate	Replace and repair. Old interchangeable with new D58283255 14' - 18' 4,34M - 5,56M
33	D28283253	1	Wearplate	Right Hand
34	D28283254	1	Wearplate	Left Hand Replace and repair. Old interchangeable with new D58283254
35	394367X1	X	Locknut	
37	D20400506	X	Washer	
38	D40405300	X	Screw	
39	D40407800	X	Hex. Sock. Screw	
40	D20400419	X	Washer	
41	D18250648	1	Clip	
42	D40402600	5	Hex. Sock. Screw	
43	D20400405	5	Washer	
44	D18285529	1	Profile	
45	D40407800	8	Hex. Sock. Screw	
46	D20400415	8	Washer	

## Table Housing And Guarding - Freeflow - 14' - 20'

Item	Part Number	Qty	Description	Comments
47	D28283321	4	Clamp	18' - 20' 5,56M - 6,16M
	D28283321	2	Clamp	16' - 4,95M
48	D18285613	1	Cover	
49	D58284331	1	Guard	
50	D28283406	2	Deflector	Replace and repair. Old interchangeable with new D58283406
51	D58280958	1	Cover	
52	D43427500	2	Pin	
53	D42555500	2	Circlip	
56	D18285775	1	Support	Right Hand
57	D18285776	1	Support	Left Hand
59	D58285752	1	Bracket	
60	D58285756	1	Bracket	
62	D40433300	4	Hex. Sock. Screw	
63	D28181284	9	Washer	
64	D41087900	5	Locknut	
65	D18285739	1	Hook	Left Hand
66	D18285738	1	Hook	Right Hand
68	D28283557	X	Tensioner	
69	D44740000	X	Profile	5 M
70	D58283938	1	Plate	
75	D18285218	1	Plate	[A]
80	D18285763	1	Protector	18' - 20' 5,56M - 6,16M
	D58285764	1	Protector	16' - 4,95M 14' - 4,34 M
91	D40402400	X	Hex. Sock. Screw	
92	D20400404	X	Washer	
93	1441462X1	X	Locknut	
94	D40405100	4	Hex. Sock. Screw	
95	D41011100	1	Nut	
96	D28780381	2	Retainer	[C]
97	D28780381	1	Retainer	[B]
111	D28284101	2	Plate	
112	394367X1	X	Locknut	
113	D40405000	X	Hex. Sock. Screw	
116	D41010700	X	Nut	
117	D28285011	1	Lock Support	

FOOTNOTE [A] OPTIONAL EQUIPMENT AUTO LEVEL

FOOTNOTE [B] OPTIONAL EQUIPMENT ELECTRIC - VERTICAL KNIFE LEFT

FOOTNOTE [C] OPTIONAL EQUIPMENT ELECTRIC VERTICAL KNIFE RIGHT



## Knives And Fingers - Powerflow - 14' - 20'

Item	Part Number	Qty	Description	Comments
1	D28283934	13	Clip	14' - 4,34M
	D28283934	15	Clip	16' - 4,95M
	D28283934	17	Clip	18' - 5,56M
	D28283934	19	Clip	20' - 6,16M
2	D28230292	4	Shim	
4	D40551500	X	Bolt	
5	D41010800	X	Nut	
6	D44104700	1	Finger	Left Hand
7	D40067600	X	Screw	
8	D44104500	27	Finger	14' - 4,34M
	D44104500	31	Finger	16' - 4,95M
	D44104500	35	Finger	18' - 5,56M
	D44104500	39	Finger	20' - 6,16M
9	D44104600	1	Finger	Right Hand
11	D44120500	1	Cap	
12	D28283104	1	Support	Up to Serial or Engine Number 939559
13	D40405100	2	Hex. Sock. Screw	
14	D20400414	4	Washer	
15	394367X1	2	Locknut	
16	D28200314	1	Guard	16' - 20' 4,95M - 6,16M
	D28230831	1	Guard	14' - 20' 4,34M - 6,16M
	D28200738	1	Guard	16' - 20' 4,95M - 6,16M
	D28230830	2	Guard	18' - 5,56M
	D28230830	1	Guard	14' - 4,34M
19	D28283009	2	Blade	18' - 5,56M
	D28283010	2	Blade	20' - 6,16M
	D28283307	2	Blade	14' - 4,34M
	D28283308	2	Blade	16' - 4,95M
	D28283011	2	Knife Head	
20	D28281489	2	Knife Back	14' - 4,34M
	D28281490	2	Knife Back	16' - 4,95M
	D28281491	2	Knife Back	18' - 5,56M
	D28281492	2	Knife Back	20' - 6,16M
21	D44103700	X	Section	
22	D44103800	X	Half Section	Right Hand
23	D41306100	X	Rivet	
24	D41306200	X	Rivet	
25	D44104000	1	Half Section	Left Hand
29	D49040900	X	Ear Lifter	
30	D49040400	X	Spring	
31	D40426000	X	Hex. Sock. Screw	
32	D49040600	17	Roller	16' - 4,95M
	D49040600	19	Roller	18' - 5,56M
	D49040600	21	Roller	20' - 6,16M
	D49040600	15	Roller	14' - 4,34M
33	D40426000	X	Hex. Sock. Screw	
34	D40402400	2	Hex. Sock. Screw	
35	D26500317	4	Spring	(16)
36	D28230841	4	Spring	(16)
37	D40405100	4	Hex. Sock. Screw	
38	D28281324	1	Wobble Drive	[B] Cpl.
	D44127800	1	Box	[B] (38)
	D28281324	1	Wobble Drive	[C] Cpl.
	D44126500	1	Box	[C]
39	D44128800	1	Bearing Needle	(38)
40	D44129400	1	Connector	(38)
41	D46116500	1	Valve	(38)
42	D44129100	1	Nut	(38)
43	D44129200	1	Washer	(38)
44	D41668400	2	Roller Bearing	(38)

Item	Part Number	Qty	Description	Comments
45	D44127900	1	Housing	[B] (38)
	D44126400	1	Housing	[C] (38)
46	D44128000	2	Journal	[B] (38)
	D44125900	1	Journal	[C] (38)
47	D44129300	1	Shaft	(38)
48	D44128200	1	Cover	[B] (38)
	D44126300	1	Cover	[C] (38)
49	D41102100	6	Washer	(38)
50	D40404900	6	Hex. Sock. Screw	(38)
51	D41669700	1	Bearing Needle	(38)
52	D45412000	1	Gasket	(38)
53	D45481500	1	O Ring	(38)
54	D44128300	1	Bearing Carrier	[B] (38)
	D44126200	1	Bearing Carrier	[C] (38)
55	D41102100	2	Washer	(38)
56	D40697200	2	Screw	[B] (38)
	D40697700	2	Screw	[C] (38)
57	D40639600	2	Pin	[B] (38)
58	D44128400	2	Bush	[B] (38)
	D44126100	2	Bush	[C] (38)
59	D44128500	1	Yoke	[B] (38)
	D44126000	1	Yoke	(38)
60	D41669800	3	Bearing Needle	(38)
61	D45409500	1	Gasket	(38)
62	D44128600	1	Plug	(38)
63	D45236200	1	Plug	(38)
64	D44127100	1	Hub	(38)
65	D41100900	1	Spring Washer	(38)
66	D40694000	1	Screw	(38)
67	<b>D41986300</b>	1	V Belt	
69	D20400426	4	Washer	
70	D40410900	4	Hex. Sock. Screw	
74	D20400523	4	Spacer	
75	D40465100	4	Screw	
79	D40698400	2	Screw	
83	D41087700	1	Locknut	
84	D20400426	1	Washer	
85	D40429400	1	Hex. Sock. Screw	
86	D41409100	1	Split Pin	
87	<b>D41054300</b>	1	Nut	
88	D44126900	1	Flange	
89	D44127000	1	Swivel Arm	
90	D44127200	1	Pulley	
91	D28280986	4	Washer	
92	<b>D28260362</b>	2	Clip	
93	D40067200	X	Screw	
94	D20400419	X	Washer	
95	D49040300	X	Ear Lifter	
96	D28284356	4	Fitting	[A]
97	D42611800	8	Pin	[A]
98	D28284259	2	Sensor	[A]
99	D28284260	2	Sensor	[A]
100	D40405100	4	Hex. Sock. Screw	[A]

Item	Part Number	Qty	Description	Comments
101	D40405300	4	Screw	[A]
102	D20400506	20	Washer	[A]
103	D28284363	4	Link	[A]
104	394367X1	8	Locknut	[A]
105	D28284227	2	Lever	[A]
				Left Hand
106	D42611900	8	Pin	[A]
107	D28281693	2	Spring	[A]
108	D28284232	2	Shaft	[A]
109	D46437300	4	Toggle	[A]
110	D41010600	4	Nut	[A]
111	D28780446	2	Rod	[A]
112	D28284226	2	Lever	[A]
				Right Hand
113	D28284361	2	Connecting Link	[A]
114	D28284360	2	Plate	[A]
115	<b>D28780523</b>	2	Potentiometer	[A]
116	D40464900	2	Screw	[A]
117	D41010700	4	Nut	[A]
118	394367X1	8	Locknut	[A]
119	D20400506	16	Washer	[A]
120	D40404900	12	Hex. Sock. Screw	[A]
121	D28284458	4	Bearing Bush	[A]
122	D28284456	4	Bush	[A]
123	D41088800	2	Locknut	[A]
124	D28281576	1	Plate	
125	D28281575	1	Shim	
126	D28281574	1	Plate	
127	D40423700	2	Hex. Sock. Screw	
128	D20400506	2	Washer	
129	394367X1	2	Locknut	
130	D28281572	1	Guard	
131	D20400506	3	Washer	
132	394367X1	3	Locknut	
133	D40405000	1	Hex. Sock. Screw	
134	D40402400	X	Hex. Sock. Screw	Alternative D41306100
135	1441462X1	X	Locknut	Alternative D41306100 Replace and repair. Old not interchangeable with new D41087400
136	D20400404	4	Washer	
137	D28285073	2	Clamp	
138	D28285087	1	Spiral	
139	D28285198	1	Arm	
140	D28285250	1	Support	
141	D28285251	1	Shaft	
142	D45483000	1	O Ring	[C]
143	<b>D28780523</b>	2	Potentiometer	
144	D28284361	2	Connecting Link	
145	D20400413	16	Washer	
146	D40405000	8	Hex. Sock. Screw	
147	394367X1	8	Locknut	
148	D41010600	4	Nut	
149	D28780446	2	Rod	
150	D20400404	2	Washer	
151	D41088800	2	Locknut	
152	D28284456	4	Bush	
153	D40464900	2	Screw	
154	D46437300	4	Toggle	
155	D20400438	1	Washer	

FOOTNOTE [A] OPTIONAL EQUIPMENT AUTO LEVEL

FOOTNOTE [B] USED ONLY IN KNIFE DRIVES WITH 6 HOLES IN BEARING HOUSING BOTTOM

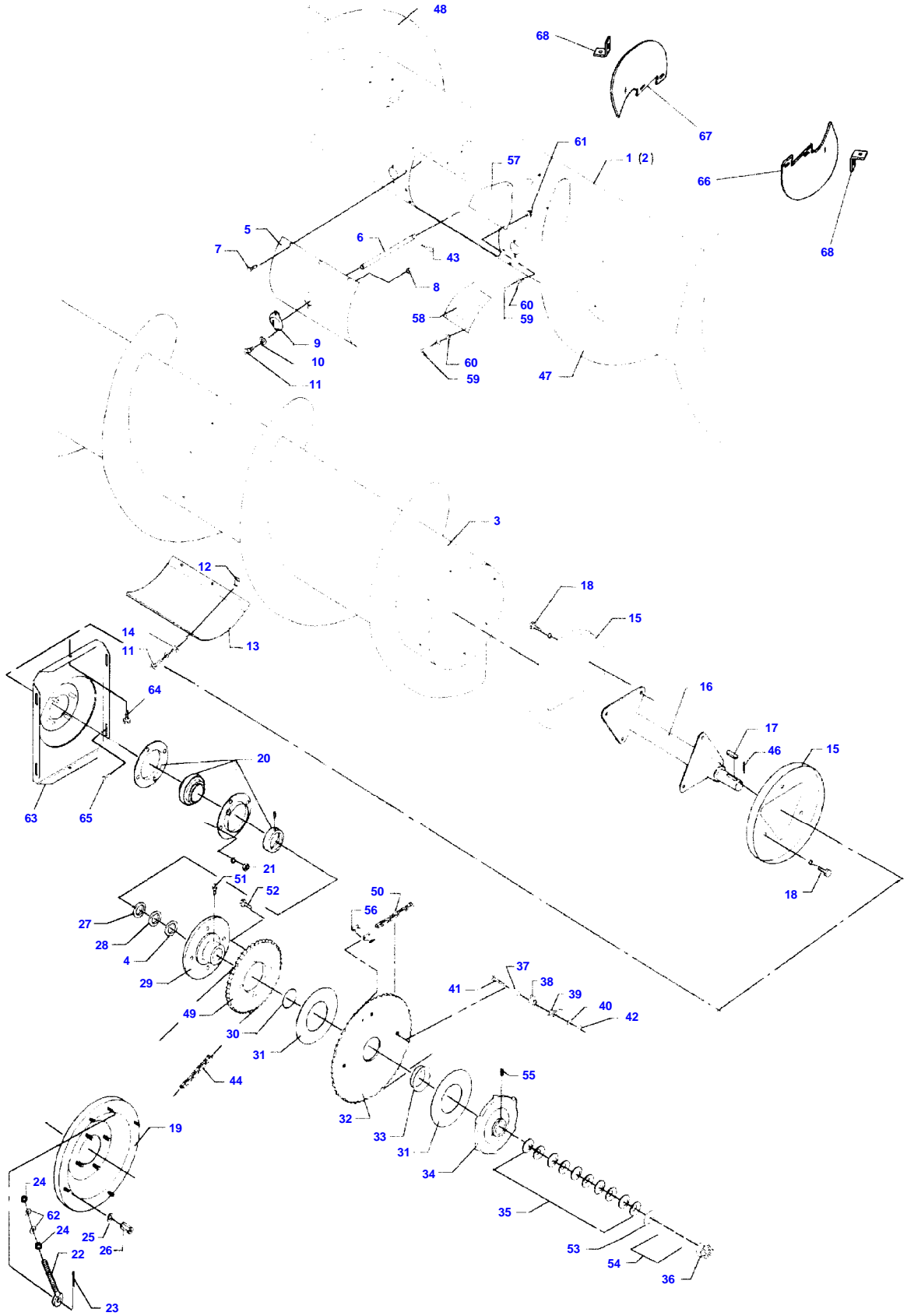
FOOTNOTE [C] USED ONLY IN KNIFE DRIVES WITH 8HOLES IN BEARING HOUSING BOTTOM AND BULGES SIDES



Item	Part Number	Qty	Description	Comments
1	D40404700	1	Hex. Sock. Screw	
2	D20400506	1	Washer	
3	394367X1	10	Locknut	
4	D58283041	1	Plate	Up to Serial or Engine Number 939559
5	D28283028	1	Support	Up to Serial or Engine Number 939559
6	D20400470	12	Washer	
7	D28211023	1	Bolt	Up to Serial or Engine Number 939559
8	D41010800	2	Nut	
9	D28283036	1	Shaft	18' - 5,56M Up to Serial or Engine Number 939559
	D28283037	1	Shaft	20' - 6,16M Up to Serial or Engine Number 939559
	D28283767	1	Shaft	14' - 4,34M Up to Serial or Engine Number 939559
	D28283768	1	Shaft	16' - 4,95M Up to Serial or Engine Number 939559
	D28285994	1	Shaft	14' - 4,34M From Serial or Engine Number 939560
	D28285995	1	Shaft	16' - 4,95M From Serial or Engine Number 939560
	D28285996	1	Shaft	18' - 5,56M From Serial or Engine Number 939560
	D28285997	1	Shaft	20' - 6,16M From Serial or Engine Number 939560
10	D41707800	4	Bearing	
11	D40407900	24	Hex. Sock. Screw	
13	D28280014	4	Plate	
14	D28283847	4	Bearing Plate	
15	D28283016	1	Crankshaft	14-16-18' 4,34-4,95-5,56M 20' - 6,16M
	D28285977	1	Crankshaft	20' - 6,16M
16	D40426100	2	Hex. Sock. Screw	
17	D28283039	1	Arm	
18	<b>D28251831</b>	15	Bearing Carrier	
19	D43428200	6	Nut	
23	D28283853	15	Hair Pin	
25	D58283070	1	Cover	Up to Serial or Engine Number 939559
	D18285312	1	Cover	From Serial or Engine Number 939560
26	D40402600	6	Hex. Sock. Screw	
27	D58283950	1	Table Auger	14' - 4,34M Up to Serial or Engine Number 939559
	D58283951	1	Table Auger	16' - 4,95M Up to Serial or Engine Number 939559
	D58283952	1	Table Auger	18' - 5,56M Up to Serial or Engine Number 939559
	D58283953	1	Table Auger	20' - 6,16M Up to Serial or Engine Number 939559
	D18285986	1	Table Auger	20' - 6,16M From Serial or Engine Number 939560
	D18285983	1	Table Auger	14' - 4,34M From Serial or Engine Number 939560
	D18285984	1	Table Auger	16' - 4,95M From Serial or Engine Number 939560
	D18285985	1	Table Auger	18' - 5,56M From Serial or Engine Number 939560
28	D28283012	1	Body	
30	D28283032	1	Body	18' - 5,56M Up to Serial or Engine Number 940147
	D28286005	1	Body	18' - 5,56M From Serial or Engine Number 940148
	D28283034	1	Body	20' - 6,16M Up to Serial or Engine Number 940147
	D28286007	1	Body	20' - 6,16M From Serial or Engine Number 940148
	D28283792	1	Body	14' - 4,34M Up to Serial or Engine Number 940147

Item	Part Number	Qty	Description	Comments
	D28286001	1	Tube	14' - 4,34 M From Serial or Engine Number 940148
	D28283795	1	Body	16' - 4,95 M Up to Serial or Engine Number 940147
	D28286003	1	Tube	16' - 4,95M From Serial or Engine Number 940148
32	D42616400	1	Pin	
33	D42625300	1	Pin	
34	D43104700	2	Key	
35	D20400471	X	Washer	
36	D20400414	10	Washer	
37	D28285130	1	Fitting	
38	D28285102	1	Cover	From Serial or Engine Number 939560

5250 CERA COMBINE - 1637477  
D-ZAZH-010-A

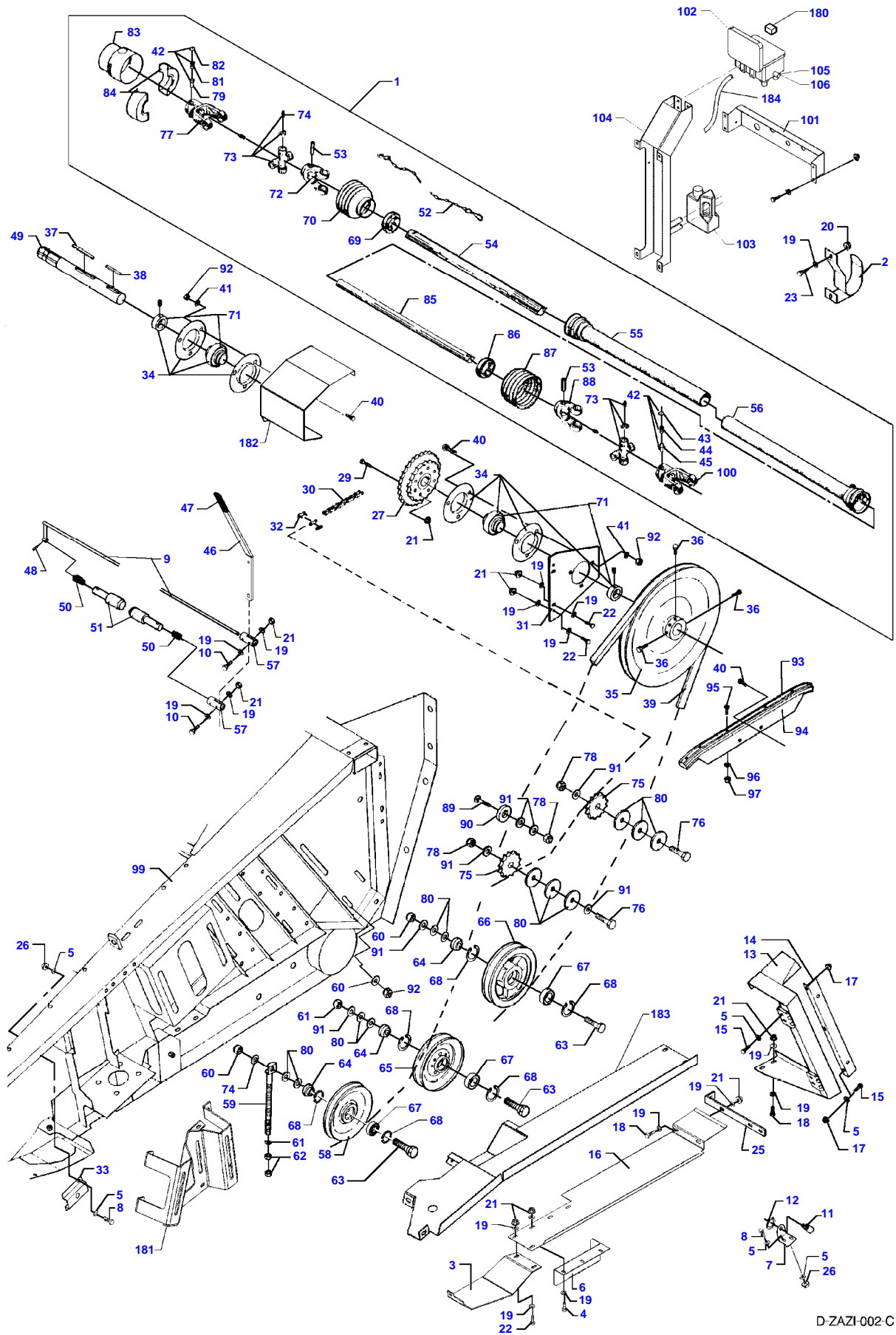


Item	Part Number	Qty	Description	Comments
1	D58283950	1	Table Auger	14' - 4,34M Up to Serial or Engine Number 939559
	D18285983	1	Table Auger	14' - 4,34M From Serial or Engine Number 939560
	D58283951	1	Table Auger	16' - 4,95M Up to Serial or Engine Number 939559
	D58285984	1	Table Auger	16' - 4,95M From Serial or Engine Number 939560
	D58283952	1	Table Auger	18' - 5,56M Up to Serial or Engine Number 939559
	D18285985	1	Table Auger	18' - 5,56M From Serial or Engine Number 939560
	D58283953	1	Table Auger	20' - 6,16M Up to Serial or Engine Number 939559
	D18285986	1	Table Auger	20' - 6,16M From Serial or Engine Number 939560
2	D28283012	1	Body	
3	D28286006	1	Body	Left Hand 20' - 6,16M
	D28286004	1	Body	Left Hand 18' - 5,56M
	D28286002	1	Body	Left Hand 14' - 4,34M
	D28286000	1	Body	Left Hand 16' - 4,95M
4	D41653500	2	Washer	OPTIONAL
5	D58283078	1	Cover	
6	<b>D28283815</b>	15	Finger	
7	D40402400	8	Hex. Sock. Screw	
8	1441462X1	X	Locknut	Replace and repair. Old not interchangeable with new D41087400
9	<b>D28283060</b>	15	Bush	
10	D20400404	X	Washer	
11	D40402600	X	Hex. Sock. Screw	
12	D43428200	6	Nut	
13	D58283070	1	Cover	Up to Serial or Engine Number 939559
	D18285312	1	Cover	From Serial or Engine Number 939560
14	D20400470	6	Washer	
15	D28280014	2	Plate	
16	D28285100	1	Drive Shaft	
17	D43106800	1	Key	
18	D40407900	X	Hex. Sock. Screw	
19	D18283053	1	Plate	Up to Serial or Engine Number 939559
20	D41716500	1	Bearing	
21	D41010900	4	Nut	
22	D28281387	1	Screw	Up to Serial or Engine Number 939559
	D28384055	1	Idler	From Serial or Engine Number 939560
23	D41405900	1	Pin	
24	D41010800	2	Nut	
25	D20400416	4	Washer	
26	D28280729	4	Nut	Up to Serial or Engine Number 939559
27	D41653500	X	Washer	OPTIONAL
28	D41653500	4	Washer	OPTIONAL
29	D28283004	1	Washer	
30	D45481600	1	O Ring	
31	<b>D45904300</b>	2	Friction Disc	
32	D28283153	1	Sprocket	Up to Serial or Engine Number 937883
	D28286046	1	Sprocket	From Serial or Engine Number 937898
33	D28283000	1	Insert	Up to Serial or Engine Number 937883
	D28286049	1	Insert	From Serial or Engine Number 937898
34	D28286166	1	Clutch Disc	
35	D41112400	10	Washer	
36	D41054100	1	Castle Nut	
37	D28281431	1	Spacer	
38	D28281432	1	Support	
39	D28283006	1	Spring	
40	D20400507	1	Spacer	
41	D40426100	1	Hex. Sock. Screw	
42	D41087600	1	Locknut	
43	D28283853	15	Hair Pin	
44	<b>D42332800</b>	1	Chain	
46	D41408800	1	Split Pin	

Item	Part Number	Qty	Description	Comments
47	D28283945	1	Auger	Right Hand 14' - 4,34M
	D28283946	1	Auger	Right Hand 16' - 4,95M
	D28283947	1	Auger	Right Hand 18' - 5,56M
	D28286016	1	Auger	Right Hand 20' - 6,16M
48	D28283940	1	Auger	Left Hand 14' - 4,34M
	D28283941	1	Auger	Left Hand 16' - 4,95M
	D28283942	1	Auger	Left Hand 18' - 5,56M
	D28286017	1	Auger	Left Hand 20' - 6,16M
49	D28283182	1	Sprocket	
50	<b>D42329200</b>	1	Chain	
51	D40405000	1	Hex. Sock. Screw	
52	D40404900	4	Hex. Sock. Screw	
53	D20400520	1	Spacer	
54	D20400523	4	Spacer	
55	D43001500	1	Grease Fitting	
56	<b>D42365500</b>	1	Link	
57	D28281694	4	Threaded Part	[A]
58	D28283297	4	Finger	[A]
59	D40404900	20	Hex. Sock. Screw	[A]
60	D20400506	20	Washer	[A]
61	394367X1	12	Locknut	[A]
62	D20400471	2	Washer	
63	D28285102	1	Cover	From Serial or Engine Number 939560
64	D40633300	2	Pin	From Serial or Engine Number 939560
65	390809X1	4	Screw Special	From Serial or Engine Number 939560
66	D28285974	1	Auger	Left Hand 20'
67	D28285975	1	Auger	Right Hand 20'
68	D28285981	2	Bracket	20'

FOOTNOTE [A] OPTIONAL EQUIPMENT STANDARD COMBINE, STANDARD EQUIPMENT AUTO LEVEL COMBINE,SLOPES

5250 CERA COMBINE - 1637477  
D-ZAZI-002-C



D-ZAZI-002-C

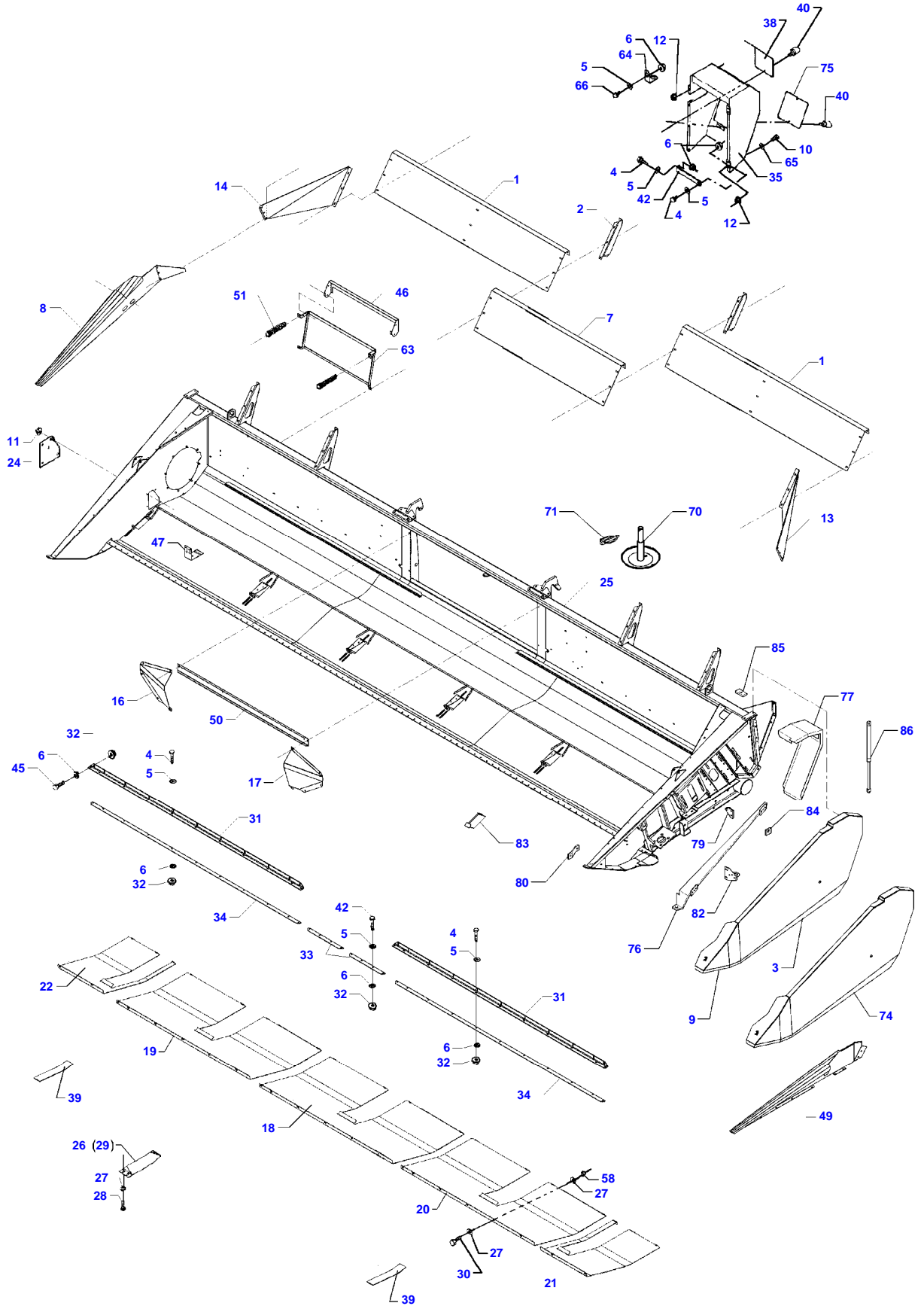
Item	Part Number	Qty	Description	Comments
1	D45608900	1	Shaft	14' - 4,34M
	D45609000	1	Shaft	16' - 4,95M
	D45609100	1	Shaft	18' - 20' 5,56M - 6,16M
2	D58281345	1	Stirrup	Up to Serial or Engine Number 59115
3	D28281709	1	Guard	Up to Serial or Engine Number 993559
4	D40404900	X	Hex. Sock. Screw	
5	D20400470	X	Washer	
6	D28281708	1	Protector	Replace and repair. Old interchangeable with new D58281708 Up to Serial or Engine Number 939559
7	D28281577	1	Angle.	Up to Serial or Engine Number 939559
8	D40402600	X	Hex. Sock. Screw	
9	D28285117	1	Rod	
10	D40423900	X	Hex. Sock. Screw	
11	D43427500	1	Pin	
12	D42555500	1	Circlip	
13	D58280541	1	Post	Up to Serial or Engine Number 939559
14	D58280550	1	Angle.	Up to Serial or Engine Number 939559
15	D40402400	X	Hex. Sock. Screw	
16	D28281707	1	Plate	Up to Serial or Engine Number 939559
17	1441462X1	X	Locknut	
18	D40405100	X	Hex. Sock. Screw	
19	D20400506	X	Washer	
20	394367X1	X	Locknut	
21	394367X1	X	Locknut	
22	D40405000	X	Hex. Sock. Screw	
23	D40404700	X	Hex. Sock. Screw	
25	D28283924	1	Reinforcement	Up to Serial or Engine Number 939559
26	1441462X1	X	Locknut	Replace and repair. Old not interchangeable with new D41087400
27	D28285385	1	Gear	
29	D40423600	8	Hex. Sock. Screw	
30	<b>D42329200</b>	1	Chain	
31	D58281366	1	Bearing Carrier	Up to Serial or Engine Number 939559
32	<b>D42365500</b>	1	Link	
33	D28281578	1	Retainer	Up to Serial or Engine Number 939559
34	D41707800	2	Bearing	
35	D28285423	1	Pulley	
36	D40697900	3	Screw	
37	D43114900	1	Key	
38	D43105000	1	Key	
39	<b>D41986300</b>	1	V Belt	
40	D40066800	6	Screw Special	
41	D20400419	6	Washer	
42	D45632400	2	Tube	
43	D45645700	2	Washer	
44	D45667300	2	Spring	
45	D45665300	2	Pin	
46	D28285127	1	Lever	
47	D43484900	1	Lever	
48	D42612200	X	Pin	
49	D28285125	1	Shaft	
50	D27100794	2	Spring	
51	D28283200	1	Shaft	
52	D45681800	2	Chain	
53	D42619100	2	Pin	
54	D45631100	1	Tube	18' - 20' 5,56M - 6,16M
	D45632800	1	Tube	16' - 4,95M

Item	Part Number	Qty	Description	Comments
55	D45631900	1	Tube	18' - 20' 5,56M - 6,16M
	D45632600	1	Tube	16' - 4,95M
56	D45632100	1	Tube	14' - 4,34M
	D45632300	1	Tube	18' - 20' 5,56M - 6,16M
	D45632500	1	Tube	16' - 4,95M
57	D28285126	2	Fork	
58	D28760574	1	Pulley	Valid from machine/table no,can be used in new as well as in older machines 938215 Up to Serial or Engine Number 939559
59	D28260181	1	Bolt	
60	D41087900	3	Locknut	
61	D20400416	X	Washer	
62	D41010800	X	Nut	
63	D28760156	3	Screw	
64	D28760155	3	Bush	
65	D28752130	1	Pulley	
66	D28280819	1	Pulley	
67	D41622700	3	Bear. 6204 2rs	
68	339199X1	6	Circlip	
69	D45630600	1	Ring	
70	D45630400	1	Guard	
71	D41663400	2	Ball Bearing	
72	D45630200	1	Yoke	
73	D45630300	2	Hub	
74	D43001600	2	Grease Fitting	
75	D41716800	2	Tightener	
76	D40433600	2	Hex. Sock. Screw	
77	D45633100	1	Yoke	[A]
78	D41087900	X	Locknut	
79	D45665300	2	Pin	
80	D20400460	X	Washer	
81	D45667300	2	Spring	
82	D45645700	2	Washer	
83	D45632900	1	Bush	
84	D45633300	1	Tube	
85	D45631500	1	Tube	18' - 20' 5,56M - 6,16M
	D45632700	1	Tube	16' - 4,95M
86	D45630700	1	Ring	
87	D45630500	1	Guard	
88	D45630100	1	Yoke	
89	D40073100	1	Screw	
90	D28280981	1	Spacer	
91	D28181284	X	Washer	
92	D41087600	X	Locknut	
93	D28280787	1	Rail	
94	D28281365	1	Crossmember	Replace and repair. Old interchangeable with new D58281365
95	D40609300	6	Screw	
96	D20400466	6	Washer	
97	D41087200	6	Locknut	
99	D58285509	1	Table Housing	14' - 4,34M Up to Serial or Engine Number 939559
	D58285831	1	Table Housing	14' - 4,34M From Serial or Engine Number 939560
	D58285510	1	Table Housing	16' - 4,95M Up to Serial or Engine Number 939559
	D58285511	1	Table Housing	18' - 5,56M Up to Serial or Engine Number 939559
	D58285512	1	Table Housing	20' - 6,16M Up to Serial or Engine Number 939559
	D18285828	1	Housing	20' - 6,16M From Serial or Engine Number 939560
	D18285831	1	Table Housing	14' - 4,34M From Serial or Engine Number 939560

Item	Part Number	Qty	Description	Comments
	D18285830	1	Table Housing	16' - 4,95M From Serial or Engine Number 939560
	D18285829	1	Table Housing	18' - 5,56M From Serial or Engine Number 939560
100	D45633200	1	Yoke	[A]
101	D18285215	1	Bracket	
102	D28785641	1	Clutch	[B] Up to Serial or Engine Number 59115
103	D45148900	1	Container	[B] Up to Serial or Engine Number 59115
104	D28285296	1	Bracket	[B] Up to Serial or Engine Number 59115
105	D45140037	2	Screw	[B]
106	D45140038	2	Ring	[B] Up to Serial or Engine Number 59115
180	D45140039	2	Plug	Up to Serial or Engine Number 59115
181	D58285454	1	Bracket	From Serial or Engine Number 939560
182	D58285290	1	Shield	From Serial or Engine Number 939560
183	D28285366	1	Guard	From Serial or Engine Number 939560
184	D45702000	1	Hose	Up to Serial or Engine Number 59115
185	D45140044	1	Clutch	[C] From Serial or Engine Number 59116 See Page - Reference Number 001-0019/16

**FOOTNOTE [A]** DELIVERED IN SETS  
**FOOTNOTE [B]** OPTIONAL EQUIPMENT  
**FOOTNOTE [C]** NOT ILLUSTRATED

5250 CERA COMBINE - 1637477  
D-ZAAZ-002-B



## Table Housing And Guarding - Powerflow - 14' - 20'

Item	Part Number	Qty	Description	Comments
1	D58285660	2	Plate	14' - 4,34M
	D58285661	2	Plate	16' - 4,95M
	D58285662	2	Plate	18' - 5,56M
	D58285663	2	Plate	20' - 6,16M
2	D58285124	2	Support	
3	D58280552	1	Guard	Up to Serial or Engine Number 939559
4	D40404900	X	Hex. Sock. Screw	
5	D20400506	X	Washer	
6	394367X1	X	Locknut	
7	D58285120	1	Guard	
8	D58283554	1	Panel	Right Hand
9	D58281582	1	Guard	Up to Serial or Engine Number 939559
10	D40402400	X	Hex. Sock. Screw	
11	D20400404	X	Washer	
12	1441462X1	X	Locknut	
13	D58285122	1	Guard	
14	D58285121	1	Guard	
16	D58285313	1	Guard	Right Hand Up to Serial or Engine Number 939559
	D58285373	1	Guard	From Serial or Engine Number 939560
17	D58285374	1	Guard	Left Hand Up to Serial or Engine Number 939559
	D58285314	1	Guard	Left Hand From Serial or Engine Number 930560
18	D28280255	2	Wearplate	[A] Replace and repair. Old interchangeable with new D58280255 14' - 4,34M Up to Serial or Engine Number 939559
	D28280255	1	Wearplate	[A] Replace and repair. Old interchangeable with new D58280255 20' - 6,16M Up to Serial or Engine Number 939559
	D28280255	1	Wearplate	[A] Replace and repair. Old interchangeable with new D58280255 16' - 4,95M Up to Serial or Engine Number 939559
	D28280255	3	Wearplate	[A] Replace and repair. Old interchangeable with new D58280256 20' - 6,16M Up to Serial or Engine Number 939559
	D28285811	1	Wearplate	[A] 16' 18' 4,95M 5,56M From Serial or Engine Number 939560
	D28285078	1	Wearplate	[A] 20' 6,16M From Serial or Engine Number 939560
19	D28285376	1	Wearplate	16' 4,65M From Serial or Engine Number 939560
	D28285812	1	Wearplate	[A] 14' 18' 4,34M 5,56M From Serial or Engine Number 939560
	D28285085	1	Wearplate	[A] 20' 6,16M From Serial or Engine Number 939560
20	D28285377	1	Wearplate	16' 4,95M From Serial or Engine Number 939560
	D28285813	1	Wearplate	[A] 14' 18' 4,34M 5,56M From Serial or Engine Number 939560
	D28285084	1	Wearplate	[A] 20' 6,16M From Serial or Engine Number 939560

## Table Housing And Guarding - Powerflow - 14' - 20'

Item	Part Number	Qty	Description	Comments
21	D28280253	1	Wearplate	[A] Left Hand 14' - 18' 4,34M - 5,56M Up to Serial or Engine Number 939559
	D28280915	1	Wearplate	Left Hand 16' - 4,95M Up to Serial or Engine Number 939559
	D28285082	1	Wearplate	[A] Left Hand 20' - 6,16M
22	D28280254	1	Wearplate	Right Hand 14' - 18' 4,34M - 5,56M Up to Serial or Engine Number 939559
	D28280916	1	Wearplate	Right Hand 16' - 4,95M Up to Serial or Engine Number 939559
	D28285081	1	Wearplate	[A] Right Hand 20' - 6,16M
24	D28280359	1	Shutter	
25	D58285509	1	Table Housing	14' - 4,34M Up to Serial or Engine Number 939559
	D58285510	1	Table Housing	16' - 4,95M Up to Serial or Engine Number 939559
	D58285511	1	Table Housing	18' - 5,56M Up to Serial or Engine Number 939559
	D58285512	1	Table Housing	20' - 6,16M Up to Serial or Engine Number 939559
	D18285828	1	Housing	20' - 6,16M From Serial or Engine Number 939560
	D18285831	1	Table Housing	14' - 4,34M From Serial or Engine Number 939560
	D18285830	1	Table Housing	16' - 4,95M From Serial or Engine Number 939560
	D18285829	1	Table Housing	18' - 5,56M From Serial or Engine Number 939560
26	D28251486	3	Cover	16' - 18' - 20' 4,95M - 5,56M - 6,16M
	D28251486	2	Cover	14' - 4,34M Up to Serial or Engine Number 939559
27	D20400506	X	Washer	
28	D20400470	X	Washer	
29	D28251487	3	Cover	16' - 18' - 20' 4,95M - 5,56M - 6,16M
	D28251487	4	Cover	22' - 6,77M
30	D40423700	X	Hex. Sock. Screw	
31	D28285648	2	Angle.	14' - 4,34M Valid from machine/table no,can be used in new as well as in older machines D58285648
	D28285649	2	Angle.	16' - 4,95M Valid from machine/table no,can be used in new as well as in older machines D58285649
	D28285650	2	Angle.	18' - 5,56M Valid from machine/table no,can be used in new as well as in older machines D58285650
	D28285651	2	Angle.	20' - 6,16M Valid from machine/table no,can be used in new as well as in older machines D58285651
32	D41010700	X	Nut	
33	D28285197	2	Scraper	
34	D28285654	2	Strip	14' - 4,34M Valid from machine/table no,can be used in new as well as in older machines D58285654
	D28285655	2	Strip	16' - 4,95M Valid from machine/table no,can be used in new as well as in older machines D58285655

Item	Part Number	Qty	Description	Comments
	D28285656	2	Strip	18' - 5,56M Valid from machine/table no,can be used in new as well as in older machines D58285656
	D28286127	2	Stripper	20' 6,16M
35	D58283723	1	Panel	Up to Serial or Engine Number 939559
38	D58280965	1	Cover	Up to Serial or Engine Number 939559
	D58285268	1	Cover	From Serial or Engine Number 939560
39	D28283984	2	Wearplate	
40	D43427500	4	Pin	
42	D28283924	1	Reinforcement	Up to Serial or Engine Number 939559
45	D40405000	X	Hex. Sock. Screw	
46	D58285764	1	Protector	14' - 16' 4,34M - 4,95M
	D18285763	1	Protector	18' - 20' 5,56M - 6,16M
47	D28780381	X	Retainer	
49	D58285590	1	Side	
50	D58285801	1	Plate	Up to Serial or Engine Number 939559
	D58285375	1	Plate	From Serial or Engine Number 939560
51	D28710853	2	Spring	
58	394367X1	X	Locknut	
63	D18285767	1	Bracket	18' - 20' 5,56M - 6,16M
	D58285768	1	Bracket	14' - 16' 4,34M - 4,95M
64	D18250648	1	Clip	Up to Serial or Engine Number 939559
65	D20400470	X	Washer	
66	D40404700	X	Hex. Sock. Screw	
70	D28286101	1	Support	
71	D41446200	1	Split Pin	
74	D58285172	1	Guard	From Serial or Engine Number 939560
75	D58280958	1	Cover	Up to Serial or Engine Number 939559
76	D58285175	1	Shield	From Serial or Engine Number 939560
77	D58285104	1	Guard	From Serial or Engine Number 939560
79	D58285293	1	Support	From Serial or Engine Number 939560
80	D58285097	1	Brace	From Serial or Engine Number 939560
82	D28285446	1	Console	From Serial or Engine Number 939560
83	D28285194	3	Cover	From Serial or Engine Number 939560 16' 18' 20' 4,95M 5,56M 6,16M
	D28285194	2	Cover	From Serial or Engine Number 939560 14' - 4,34M
84	D28285271	1	Dog	From Serial or Engine Number 939560
85	D28285289	1	Support	From Serial or Engine Number 939560
86	D45056600	1	Gas Strut	From Serial or Engine Number 939560
	D45050060	1	Gas Strut	Up to Serial or Engine Number 940199 From Serial or Engine Number 940200

FOOTNOTE [A] BOTH AL AND STD



**Suggest:**

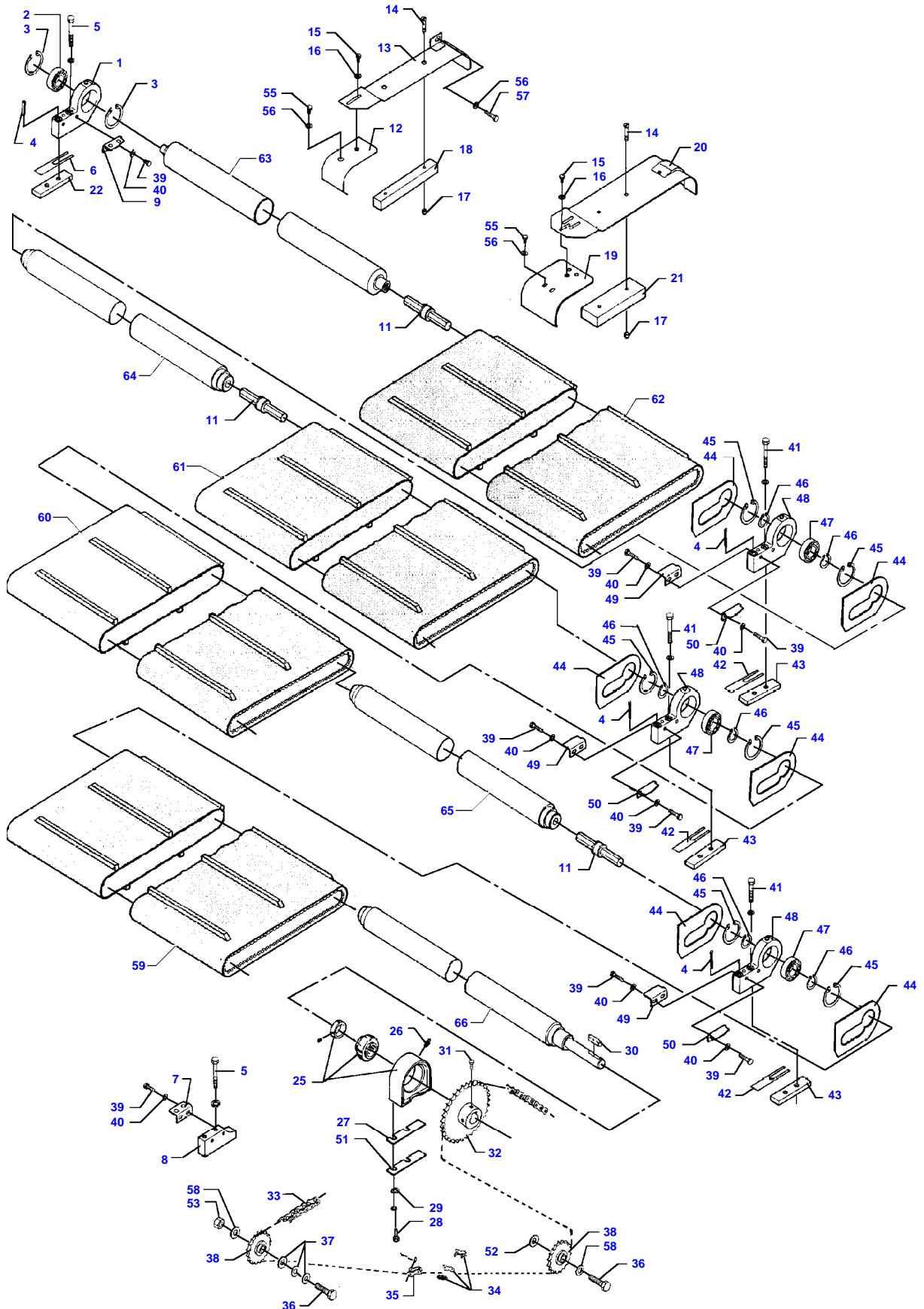
**For more complete manuals. Please go to the home page.**

**<https://www.ebooklibonline.com>**

**If the above button click is invalid. Please download this document first, and then click the above link to download the complete manual.**

**Thank you so much for reading**

5250 CERA COMBINE - 1637477  
D-ZAAH-002-B



Item	Part Number	Qty	Description	Comments
1	D28251562	1	Bearing Carrier	CPL.
	D28251581	1	Bearing Carrier	(1)
2	D41715600	1	Ball Bearing	(1)
3	D42514500	2	Circlip	(1)
4	D42616100	6	Pin	
5	D40426600	X	Hex. Sock. Screw	
6	D28251519	X	Shim	OPTIONAL
7	D28251380	4	Bracket	Right Hand 14' - 4,34M
	D28251380	5	Bracket	Right Hand 16'- 18'- 20' 4,95M - 5,56M - 6,16M
8	D28251419	1	Bracket	
9	D28251379	4	Bracket	Left Hand 14' - 4,34M
	D28251379	5	Bracket	Left Hand 16'- 18'- 20' 4,95M - 5,56M - 6,16M
11	D28251565	2	Shaft	14' - 4,34M
	D28251565	3	Shaft	16'- 18'- 20' 4,95M - 5,56M - 6,16M
12	D18281700	1	Plate	Right Hand 20' - 6,16M
	D58284386	1	Shield	Right Hand 16' - 4,95M
	D58284387	1	Shield	Right Hand 18' - 5,56M
	D58284524	1	Guard	Right Hand 22' - 6,77M
	D18284372	1	Shield	Right Hand 14' - 4,34M
13	D18281703	1	Plate	Right Hand 20' - 6,16M
	D58284377	1	Shield	Right Hand 18' - 5,56M
	D58284379	1	Shield	Right Hand 16' - 4,95M
	D18284385	1	Shield	Left Hand 14' - 4,34M
14	D40064000	X	Screw	
15	D40404900	X	Hex. Sock. Screw	
16	D20400506	X	Washer	
17	394367X1	X	Locknut	
18	D28281310	2	Guide	Valid from machine/table no,can be used in new as well as in older machines 937533
19	D28281698	2	Shield	14' - 4,34M
	D28281698	3	Shield	16'- 18'- 20' 4,95M - 5,56M - 6,16M
20	D28281699	2	Shield	14' - 4,34M
	D28281699	3	Shield	16'- 18'- 20' 4,95M - 5,56M - 6,16M
21	D28281311	4	Guide	Valid from machine/table no,can be used in new as well as in older machines 937533
22	D28251146	1	Strap	14'-18'-20' 4,34M-5,56M- 6,16M
	D28285303	1	Strap	Up to Serial or Engine Number 939559 14'-18'-20' 4,34M-5,56M 6,16M From Serial or Engine Number 939560 16' - 4,95M
	D28280923	1	Dog	
25	D41715800	1	Bearing Carrier	
26	D43004900	1	Grease Nipple	
27	D28251448	X	Shim	OPTIONAL
28	D40408000	X	Hex. Sock. Screw	
29	D20400419	X	Washer	
30	D43104900	1	Key	
31	D40466200	2	Setscrew	
32	D28251161	1	Sprocket	Number of teeth/spines 32
	D28251163	2	Sprocket	[A]
33	<b>D42332800</b>	1	Chain	
34	D42363100	1	Link	
35	<b>D42363500</b>	1	Link	
36	D40433600	2	Hex. Sock. Screw	
37	D20400460	4	Washer	
38	D41712300	2	Tensioner	

**<https://www.ebooklibonline.com>**

Hello dear friend!

Thank you very much for reading.

Enter the link into your browser.

The full manual is available for immediate download.

**<https://www.ebooklibonline.com>**