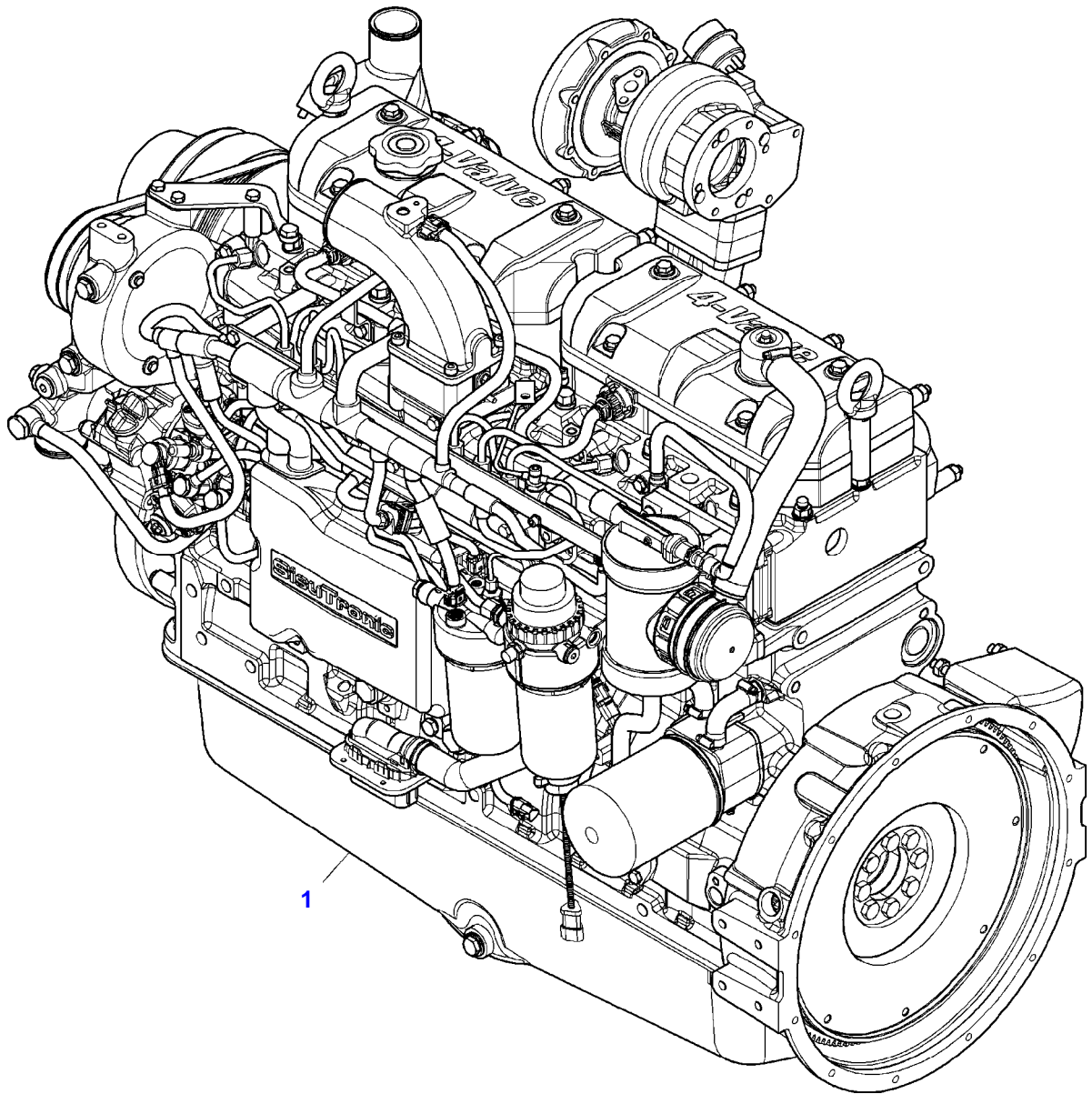


TABLE OF CONTENT

Page Number	Page Title	Page Reference
01-000-TOC	ENGINE	01-000-TOC
02-000-TOC	ENGINE INSTALLATION	02-000-TOC
03-000-TOC	DRIVE SYSTEM	03-000-TOC
04-000-TOC	AXLES	04-000-TOC
05-000-TOC	FRAME AND SUSPENSION	05-000-TOC
06-000-TOC	STEERING SYSTEM	06-000-TOC
07-000-TOC	DRIVE TRAIN SYSTEM	07-000-TOC
08-000-TOC	BRAKE SYSTEM	08-000-TOC
09-000-TOC	HYDRAULIC SYSTEM	09-000-TOC
10-000-TOC	ELECTRICAL SYSTEM	10-000-TOC
11-000-TOC	CAB	11-000-TOC
12-000-TOC	AIR CONDITIONING AND HEATING SYSTEM	12-000-TOC
13-000-TOC	CHASSIS	13-000-TOC
14-000-TOC	DECALS	14-000-TOC
15-000-TOC	WHEELS	15-000-TOC
16-000-TOC	FEEDING SYSTEM	16-000-TOC
17-000-TOC	THRESHING SYSTEM	17-000-TOC
18-000-TOC	CLEANING SYSTEM	18-000-TOC
19-000-TOC	GRAIN BIN AND ELEVATOR SYSTEM	19-000-TOC
20-000-TOC	DISCHARGE SYSTEM	20-000-TOC
21-000-TOC	ATTACHMENTS	21-000-TOC
22-000-TOC	ACCESSORIES	22-000-TOC

ENGINE

Page Number	Page Title	Page Reference
01-0001	ENGINE ASSEMBLIES	HB01L003-1
01-0002	FILTERS UP TO MACHINE S/N 551600129	2362438
01-0003	CYLINDER BLOCK	HB51L001-1
01-0004	TIMING GEARS AND HOUSING	HB52L001-1
01-0005	FLYWHEEL AND HOUSING	LA40L001-1
01-0006	CRANKSHAFT AND PISTONS	HB53L001-1
01-0007	CAMSHAFT AND VALVE MECHANISM	HB54L001-1
01-0008	CYLINDER HEAD	HB55L001-1
01-0009	AIR INTAKE & EXHAUST	HB56L001-1
01-0010	TURBOCHARGER	LA21L001-1
01-0011	OIL PUMP AND SUMP	LC30L002-1
01-0012	OIL COOLER AND FILTER	HB57L001-1
01-0013	CLOSED CRANKCASE VENTILATION (CCV)	HB62L001-1
01-0014	COOLANT PUMP AND THERMOSTAT	LE17L004-1
01-0015	FUEL INJECTION SYSTEM	LE26L002-1
01-0016	FUEL FILTERS	LC54L012-1
01-0017	ELECTRONIC ENGINE MANAGEMENT	HB58L001-1
01-0018	ALTERNATOR	HB59L001-1
01-0019	STARTER MOTOR	LE13L004-1
01-0020	FAN DRIVE	HB23L001-1
01-0021	EXHAUST AFTERTREATMENT	HB60L001-1
01-0022	ENGINE OVERHAUL PARTS	HB31L006-1
01-0023	ENGINE OVERHAUL PARTS	HB61L001-1



<https://www.ebooklibonline.com>

Hello dear friend!

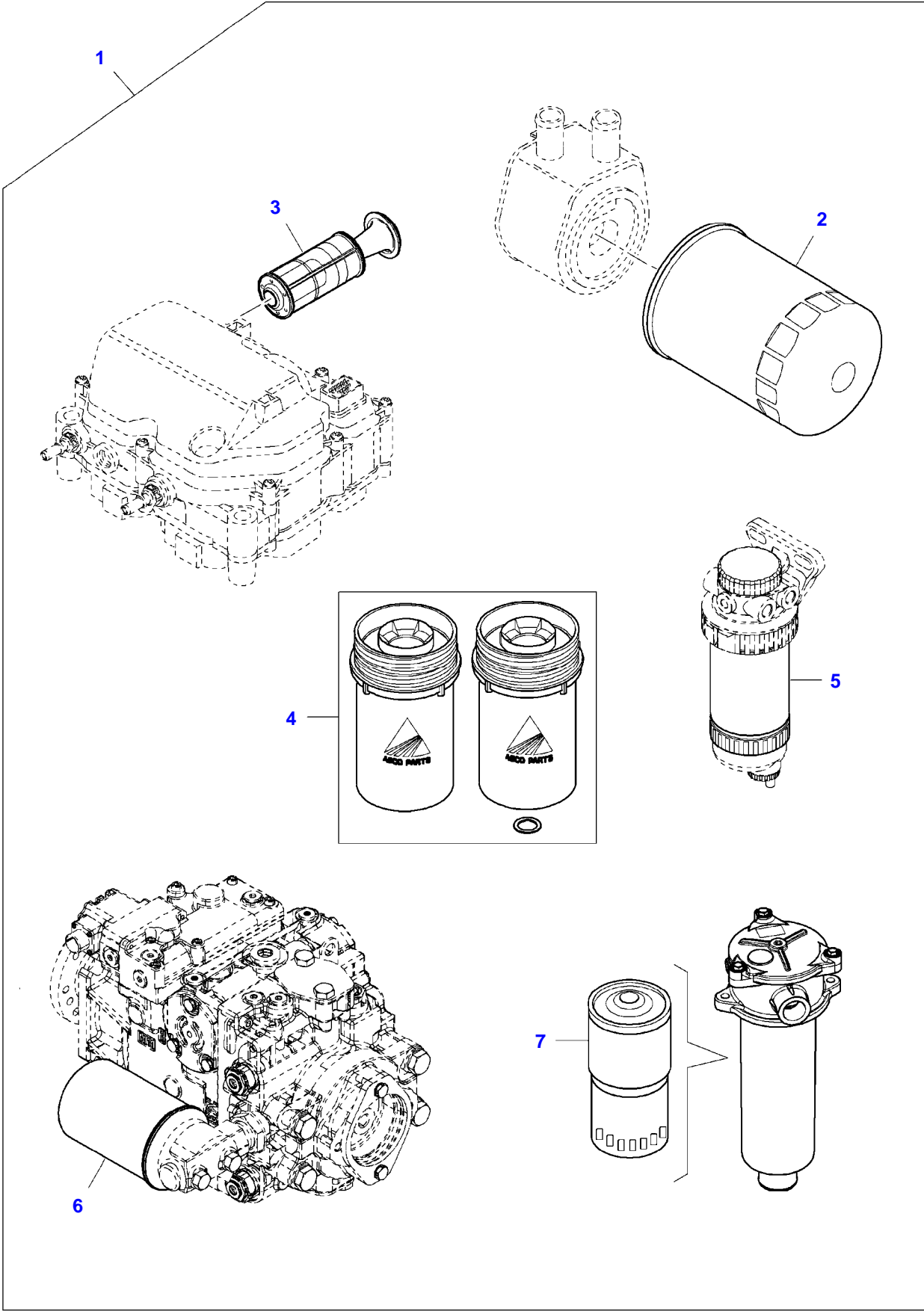
Thank you very much for reading.

Enter the link into your browser.

The full manual is available for immediate download.

<https://www.ebooklibonline.com>

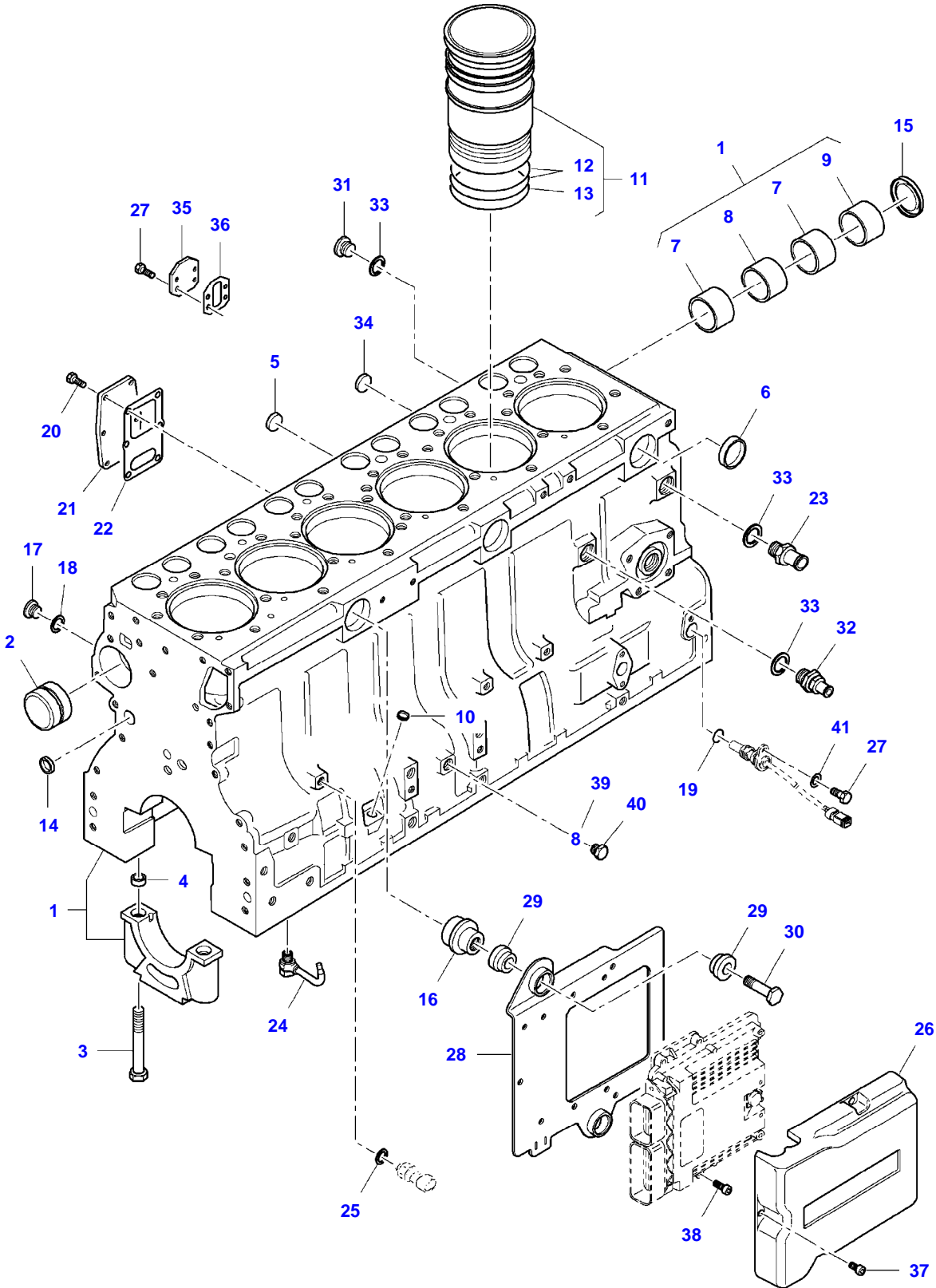
Item	Part Number	Qty	Description Comments	Technical Specification
1	V834876883	1	ENGINE	66 AWI
2	V864876883X	1	SHORT BLOCK ENGINE [A]	
3	V864876883V	1	LONG BLOCK ENGINE [A] [A] NOT ILLUSTRATED	



FILTERS

Item	Part Number	Qty	Description Comments
			UP TO MACHINE S/N 551600129
1	LA391600158	1	KIT, FILTER
2	V836679586	1	ENGINE OIL FILTER
3	V837079423	1	DEF FILTER
4	V837079718	1	FUEL FILTER KIT
5	V836862563	1	FUEL ELEMENT
6	LA322104400	1	ELEMENT,OIL FILTER
7	LA323550650	2	ELEMENT,OIL FILTER

5220E COMBINE (STAGE 3B / TIER 4I) (55160001-999, 551610001-999)
8024543-F5-1

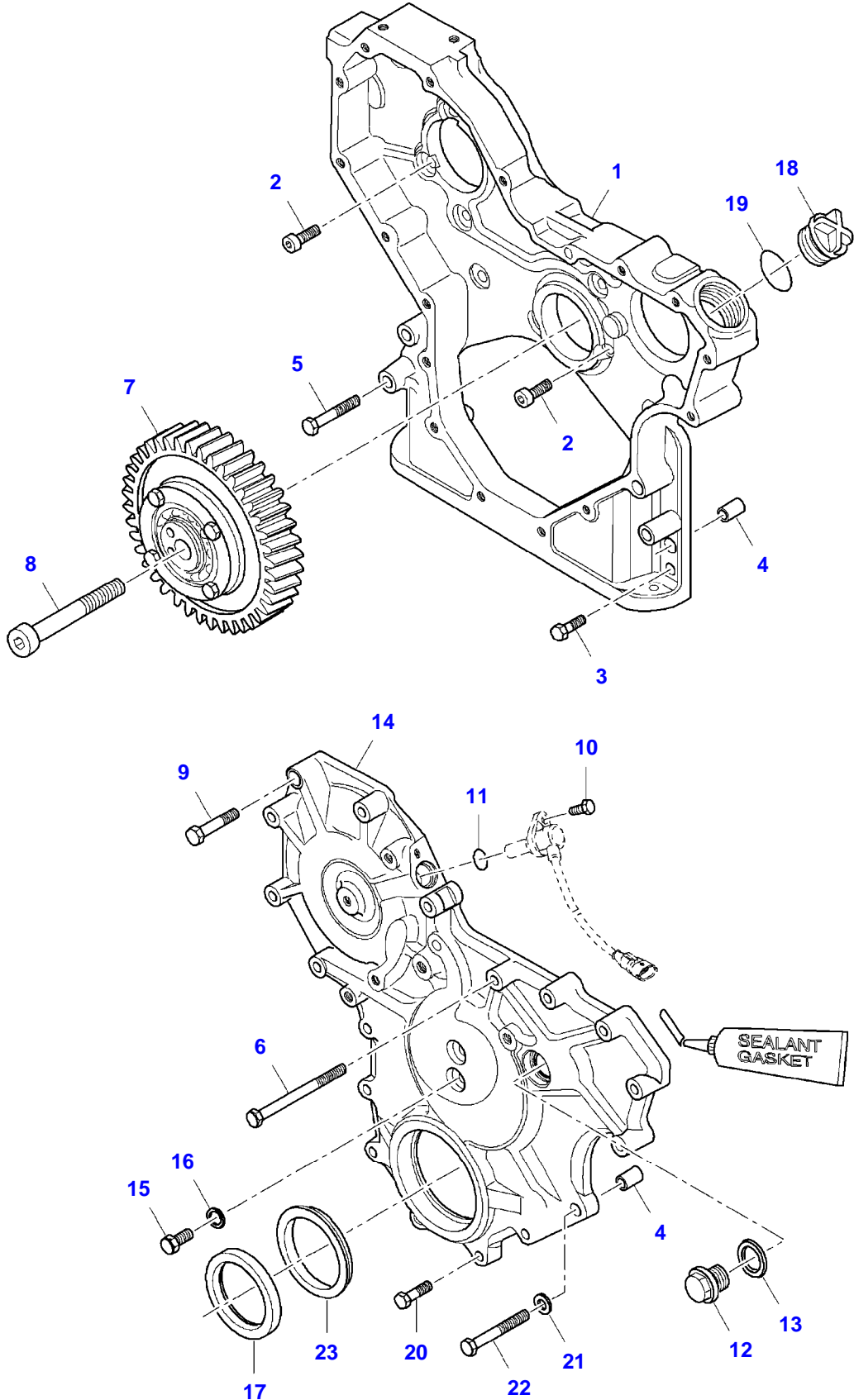


CYLINDER BLOCK

Item	Part Number	Qty	Description Comments	Technical Specification
1	V837070103	1	CYLINDER BLOCK	
2	V836866069	1	CAMSHAFT BEARING BUSH	
	V836866036	X	CAMSHAFT BEARING BUSH	+ 0.40 MM
3	V835329030	14	HEX CAP SCREW	
4	V836214478	24	GUIDE SLEEVE	
5	V640016018	3	CUP PLUG	
6	V640016040	2	CUP PLUG	
7	V836852460	2	CAMSHAFT BEARING BUSH	
8	V836852459	1	CAMSHAFT BEARING BUSH	
9	V836852461	1	CAMSHAFT BEARING BUSH	
10	V640016012	1	CUP PLUG	
11	V836673191	6	LINER	
	V836647933	X	LINER	
	V836647934	X	LINER	
	V836647935	X	LINER	
12	V836647502	12	CYLINDER LINER O-RING [A]	
13	V836647503	6	CYLINDER LINER O-RING [A]	
14	V640016016	4	CUP PLUG [A]	
15	V836852744	1	PLUG	
16	V837069057	1	PLUG	
17	V640325110	5	SCREW PLUG	
18	V615871014	5	SEALING WASHER [A]	
19	V614601524	1	O-RING	
20	V528801380	6	HEX CAP SCREW	
21	V836846444	1	COVER	
22	V836322852	1	GASKET [A]	
23	V836119837	1	HOSE COUPLER	
24	V837074224	6	PISTON COOLING JET	
25	V615871016	1	SEALING WASHER [A]	
26	V837073901	1	COVER	
27	V528801362	5	HEX CAP SCREW	
28	V837073900	1	ECU BRACKET	
29	V837074327	6	RUBBER BUSH	
30	V837069056	3	HEX CAP SCREW	
31	V640325018	3	PLUG	
32	V836664377	1	DRAIN VALVE	
33	V615881824	3	SEALING WASHER [A]	
34	V640016018	2	CUP PLUG	
35	V836866957	1	COVER	
36	V836866958	1	GASKET [A]	
37	V581804182	3	HEX SOCKET SCREW	
38	V581804202	4	HEX SOCKET SCREW	
39	V615881216	1	SEALING WASHER [A]	
40	V640045112	1	PLUG	
41	V500050840	1	FLAT WASHER	

[A] INCLUDED IN KIT V837079467

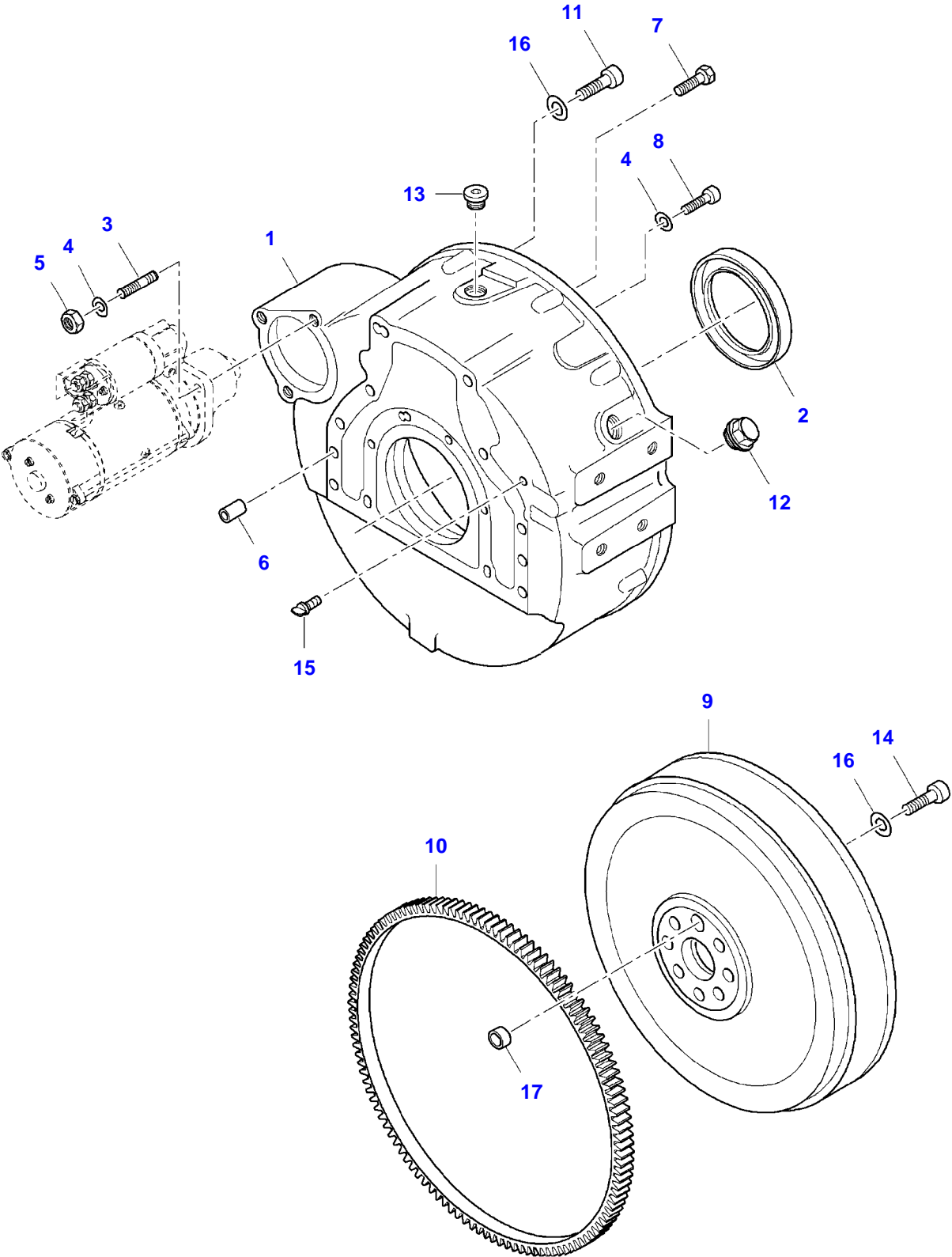
5220E COMBINE (STAGE 3B / TIER 4I) (55160001-999, 551610001-999)
8024545-F5-1



TIMING GEARS AND HOUSING

Item	Part Number	Qty	Description Comments	Technical Specification
1	V837073565	1	TIMING GEAR CASE	
2	V581804600	10	HEX SOCKET SCREW	
3	V528801400	2	HEX CAP SCREW	
4	V598359850	3	PIN	
5	V529801470	3	HEX CAP SCREW	
6	V529801540	1	HEX CAP SCREW	
7	V837073583	1	IDLER GEAR	
8	V581705910	1	HEX SOCKET SCREW	
9	V529801440	9	HEX CAP SCREW	
10	V528801062	1	HEX CAP SCREW	
11	V614601718	1	O-RING	
12	V640045022	1	PLUG	
13	V615882227	1	SEALING WASHER [A]	
14	V837073566	1	GEAR HOUSING FRONT COVER	
15	V528801380	2	HEX CAP SCREW	
16	V615870814	2	SEALING WASHER [A]	
17	V836840883	1	CRANKSHAFT SEAL [A]	
	V836873100	X	SPACER RING	+ 3.00 MM
18	V836017927	1	CAP	
19	V614603540	1	O-RING [A]	
20	V528801410	6	HEX CAP SCREW	
21	V836120989	1	WASHER	
22	V529801520	1	HEX CAP SCREW	
23	V836855636	1	SHIELD	
			[A] INCLUDED IN KIT V837079467	

5220E COMBINE (STAGE 3B / TIER 4I) (55160001-999, 551610001-999)
8024546-F5-1

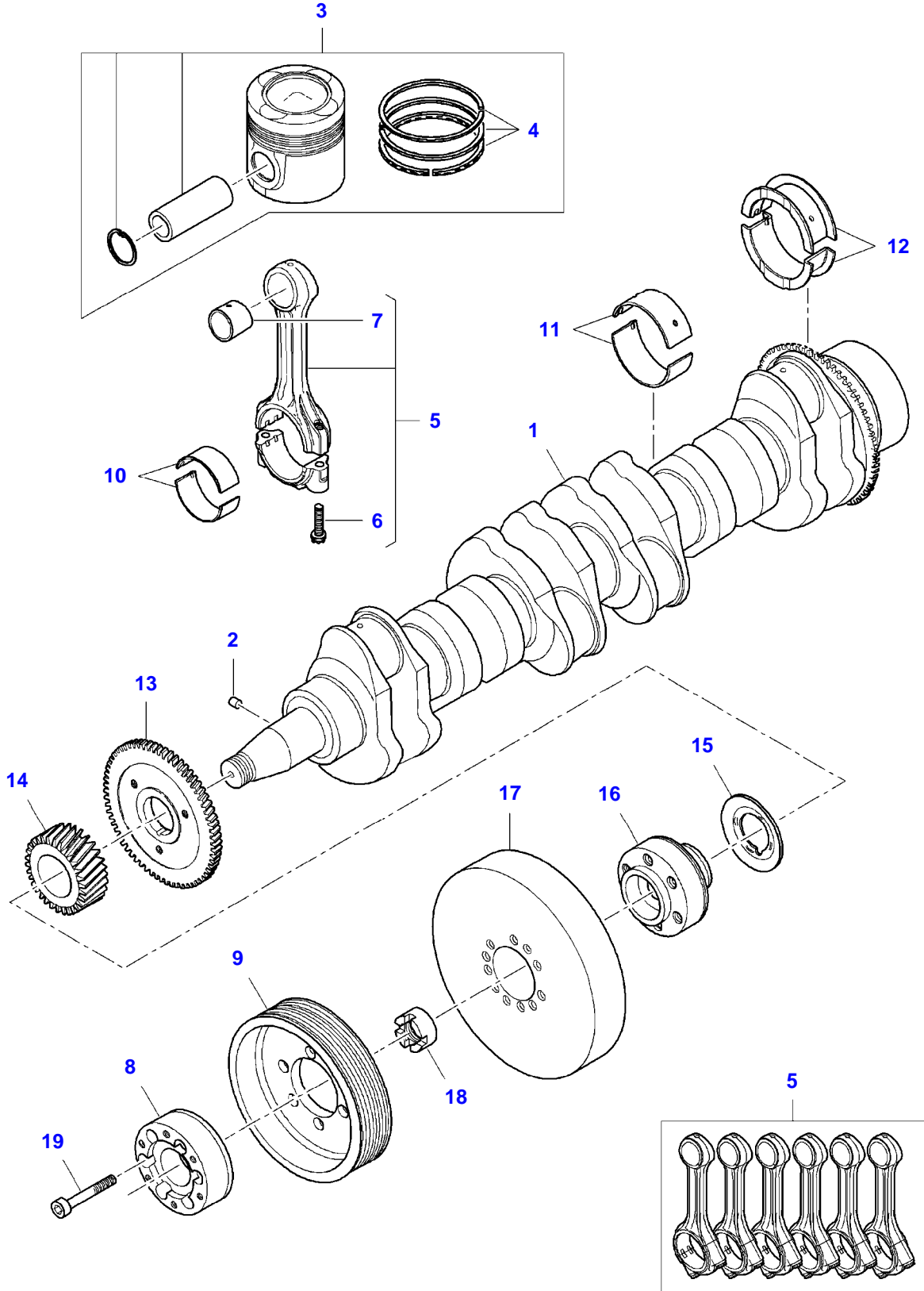


FLYWHEEL AND HOUSING

Item	Part Number	Qty	Description Comments
1	V836647440	1	FLYWHEEL HOUSING
2	V837079705	1	CRANKSHAFT SEAL UP TO ENGINE S/N B58676 [A]
	V837091172	1	CRANKSHAFT SEAL FROM ENGINE S/N B58677 [A]
	V837079706	1	CRANKSHAFT SEAL UP TO ENGINE S/N B58251 [B]
	V837091173	1	CRANKSHAFT SEAL FROM ENGINE NUMBER B58252 [B]
3	V546801815	3	STUD BOLT
4	V500951000	6	SPRING WASHER
5	V504601000	3	NUT
6	V598359850	2	PIN
7	V528902220	6	HEX CAP SCREW
8	V581705030	6	HEX SOCKET SCREW
9	V836655066	1	FLYWHEEL
10	V836117970	1	STARTER RING
11	V581705440	2	HEX SOCKET SCREW
12	V640045126	1	PLUG
13	V640325018	1	PLUG
14	V528702230	8	HEX CAP SCREW
15	V836859311	1	PLUG
16	V500951200	1	SPRING WASHER
17	V836659527	1	GUIDE SLEEVE

[A] INCLUDED IN KIT V837079467

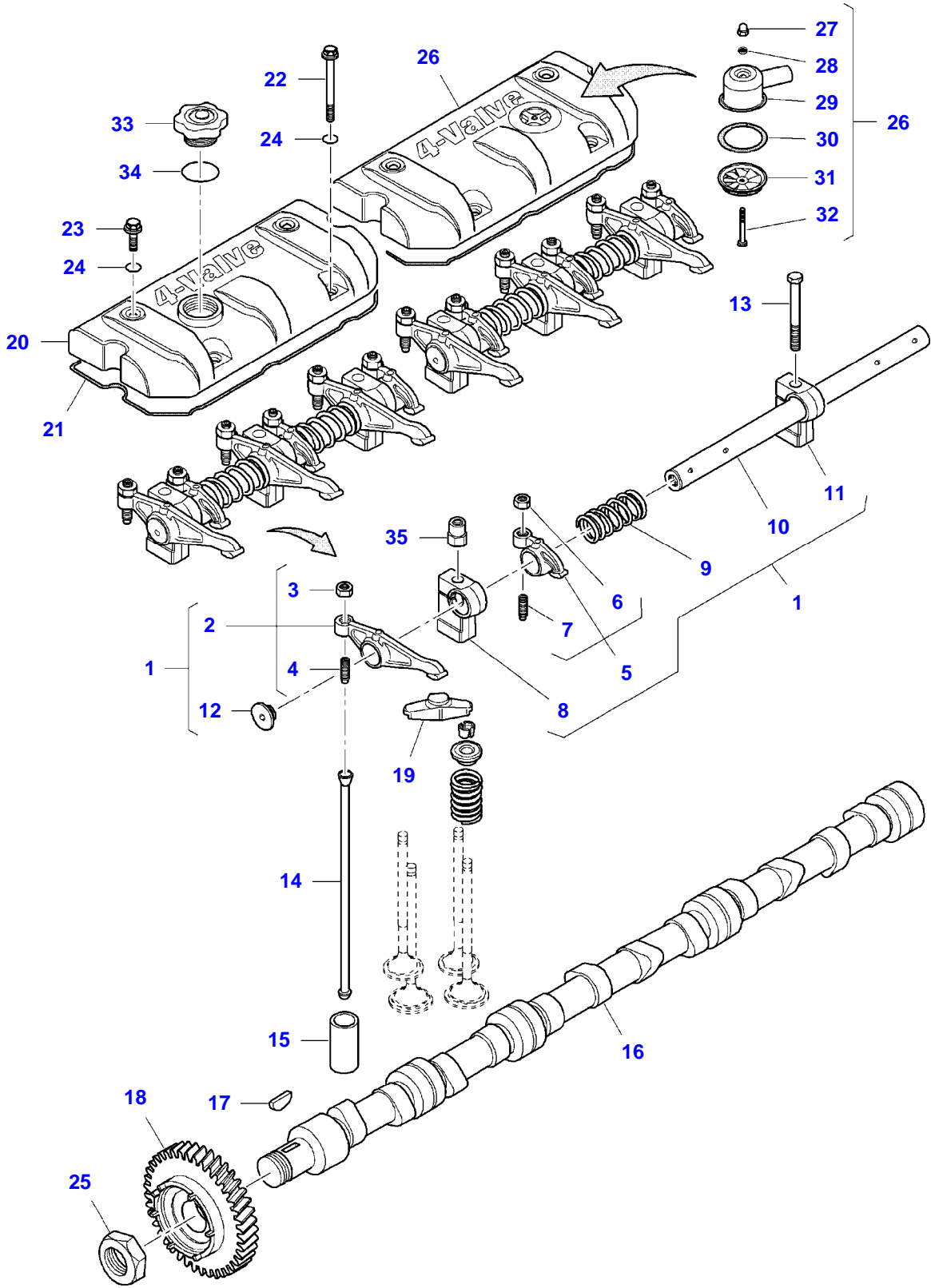
[B] INCLUDED IN KIT V837079464



CRANKSHAFT AND PISTONS

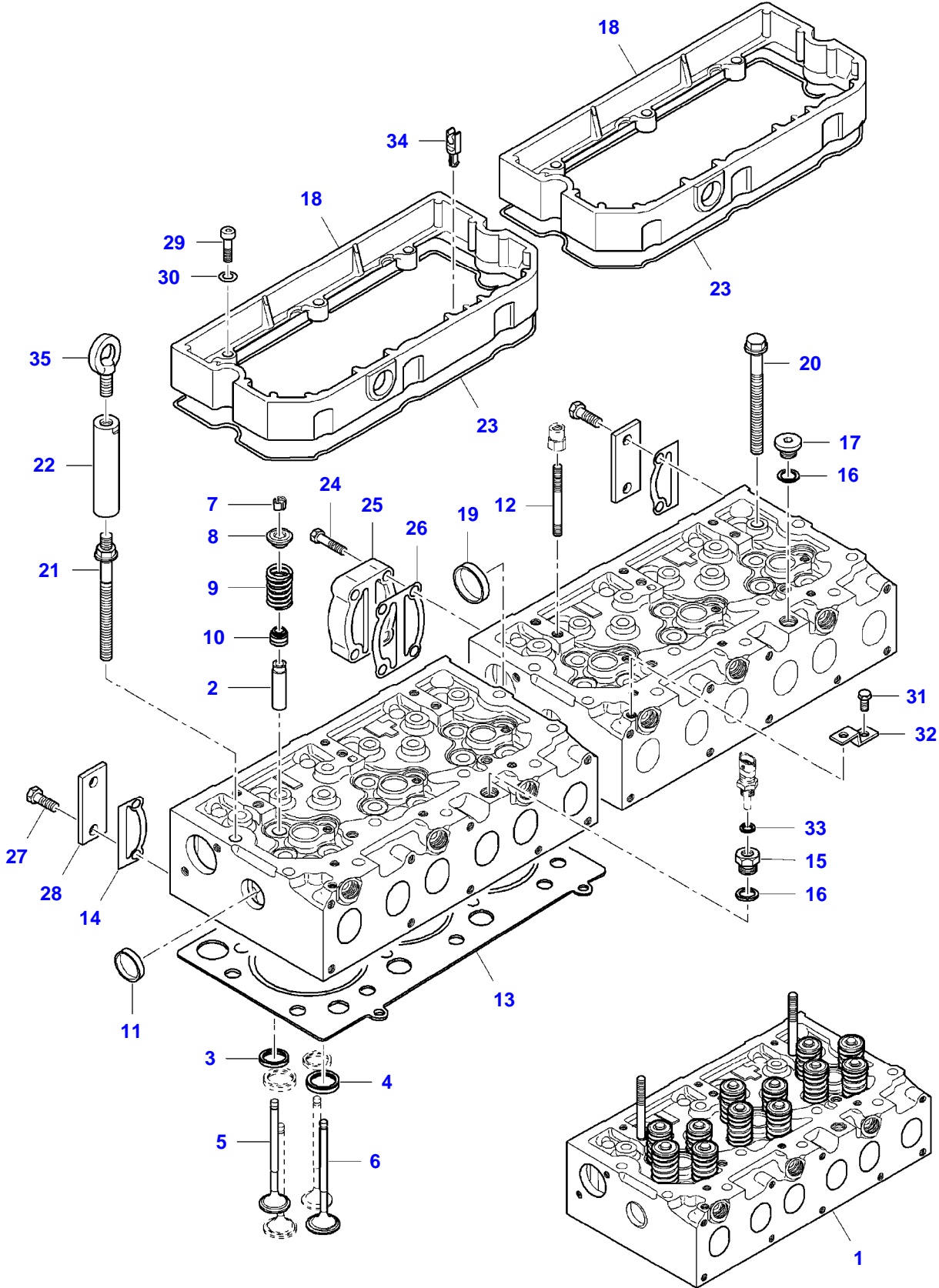
Item	Part Number	Qty	Description Comments	Technical Specification
1	V837073983	1	CRANKSHAFT	
2	V836867857	1	KEY	
3	V837074081	6	PISTON	
4	V837079460	1	PISTON RING KIT	
5	V836840928	1	CONNECTING ROD KIT	
6	V836864141	12	CONNECTING ROD BOLT	
7	V836110646	6	BEARING BUSH	STD
8	V837070345	1	SPACER	
9	V836867472	1	PULLEY	
10	V836179781	6	CONROD BEARING	STD
	V836112762	X	BEARING SHELL	
	V836112763	X	BEARING SHELL	
	V836112765	X	BEARING SHELL	
	V836112767	X	BEARING SHELL	
11	V836840944	6	MAIN BEARING	STD
	V836840978	X	MAIN BEARING	+ 0.25 MM
	V836840979	X	MAIN BEARING	+ 0.50 MM
	V836840980	X	MAIN BEARING	
	V836840981	X	MAIN BEARING	
12	V836879152	1	MAIN BEARING	STD
	V836840945	X	THRUST WASHER	
	V836840982	X	THRUST WASHER	+ 0.10 MM
	V836840983	X	THRUST WASHER	+ 0.20 MM
13	V836674069	1	GEAR,CRANKSHAFT	
14	V837073560	1	GEAR,CRANKSHAFT	
15	V836855637	1	RING	
16	V837073679	1	CRANKSHAFT HUB	
17	V837070177	1	CRANKSHAFT VIBRATION DAMPENER	
18	V836847641	1	CRANKSHAFT NUT	
19	V581705490	6	HEX SOCKET SCREW	

5220E COMBINE (STAGE 3B / TIER 4I) (55160001-999, 551610001-999)
8024548-F5-1



Item	Part Number	Qty	Description Comments
1	V837069016	2	ROCKER SHAFT ASM
2	V837069011	6	ROCKER ARM
3	V512861000	6	NUT
4	V837069023	6	VALVE ROCKER ADJUSTMENT SCREW
5	V837069013	6	ROCKER ARM
6	V512861000	6	NUT
7	V837069023	6	VALVE ROCKER ADJUSTMENT SCREW
8	V837069017	4	ROCKER SHAFT BRACKET
9	V837069019	4	SPRING
10	V837069015	2	SHAFT
11	V837069018	2	ROCKER SHAFT BRACKET
12	V837069020	4	PLUG
13	V529801910	2	HEX CAP SCREW
14	V837070119	12	PUSH ROD
15	V836014264	12	TAPPET
16	V837069101	1	CAMSHAFT
17	V603305760	1	WOODRUFF KEY
18	V837073562	1	GEAR,CAMSHAFT
19	V837073089	12	VALVE BRIDGE
20	V837070447	1	VALVE ROCKER COVER
21	V837067881	2	VALVE ROCKER COVER GASKET [A]
22	V540801910	4	HEXAGON FLANGE BOLT
23	V540801780	4	HEXAGON FLANGE BOLT
24	V614901030	8	O-RING [A]
25	V837069085	1	NUT
26	V837070452	1	VALVE ROCKER COVER
27	V519600602	1	NUT
28	V836667508	1	SEALING WASHER
29	V837070442	1	BREATHER CAP
30	V836667459	1	GASKET
31	V837070443	1	BREATHER
32	V528801172	1	HEX CAP SCREW
33	V836659968	1	OIL FILLER CAP
34	V614704850	1	O-RING [A]
35	V836655406	4	SLEEVE NUT [A] INCLUDED IN KIT V837079466

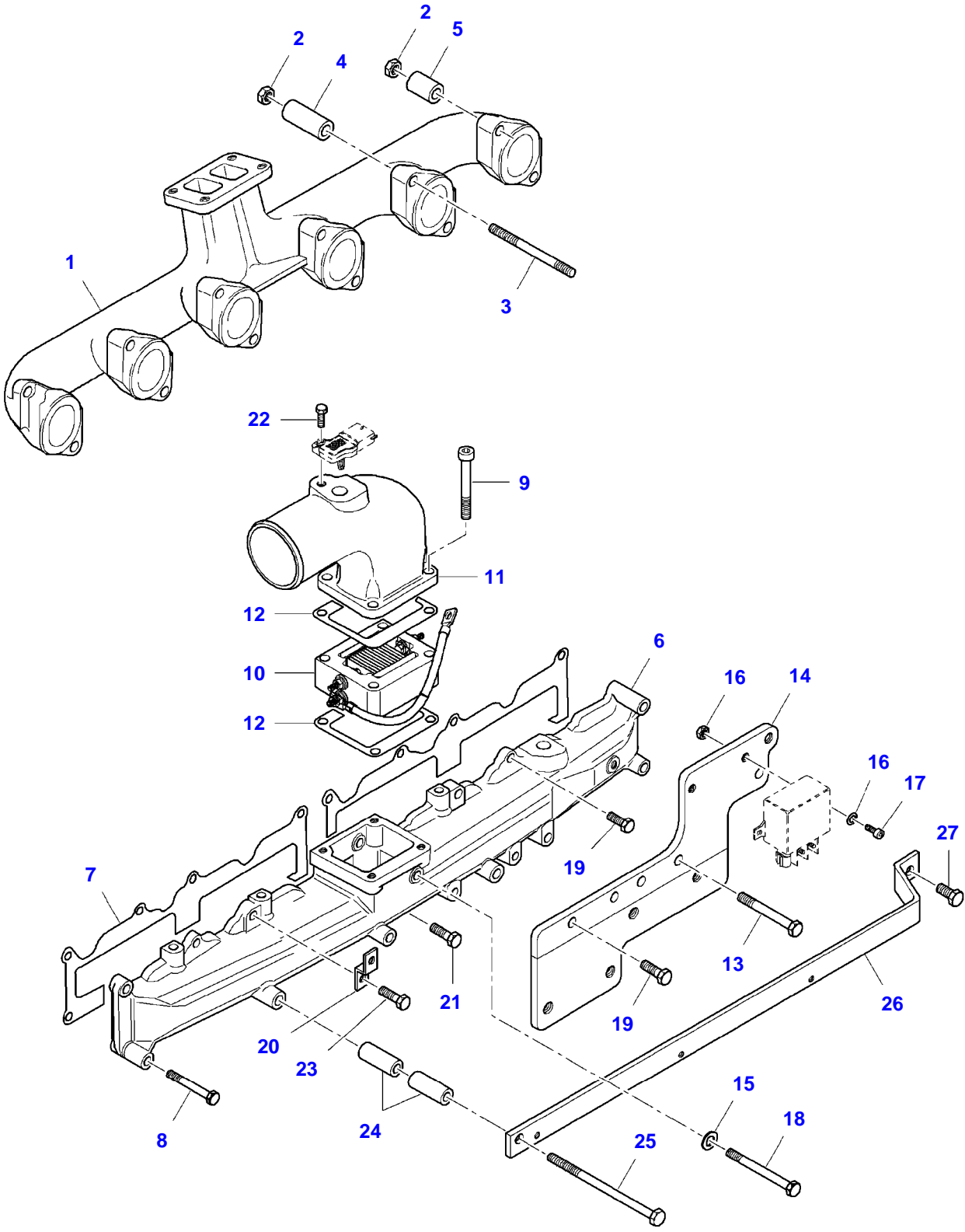
5220E COMBINE (STAGE 3B / TIER 4I) (551600001-999, 551610001-999)
8024637-F5-1



CYLINDER HEAD

Item	Part Number	Qty	Description Comments	Technical Specification
1	V837073233	2	CYLINDER HEAD INCLUDES ITEMS 2-12	
2	V837073174	24	VALVE GUIDE	
3	V837064907	12	VALVE SEAT	STD 4V EXHAUST
	V837070187	X	VALVE SEAT	4V EXHAUST + 0.20 MM
4	V837064908	12	VALVE SEAT	STD 4V INTAKE
	V837070188	X	VALVE SEAT	4V INTAKE + 0.20 MM
5	V837069002	12	EXHAUST VALVE	
6	V837069003	12	INTAKE VALVE	
7	V837064910	48	COTTER	
8	V837069004	24	SPRING PLATE	
9	V837069005	24	VALVE SPRING	
10	V837073165	24	VALVE STEM GASKET [A]	
11	V836647942	8	CUP PLUG	
12	V546801900	4	STUD BOLT	
13	V837070290	2	CYLINDER HEAD GASKET [A]	
14	V836867753	2	GASKET [A]	
15	V836119643	1	THREADED NIPPLE	
16	V615881822	2	SEALING WASHER [A]	
17	V640325018	1	PLUG	
18	V837084220	2	VALVE ROCKER COVER FRAME	
19	V640016045	1	CUP PLUG	
20	V837069025	32	CYLINDER HEAD BOLT	
21	V837073571	2	CYLINDER HEAD BOLT	
22	V836867567	2	LIFTING EYE EXTENSION	
23	V837067881	2	VALVE ROCKER COVER GASKET [A]	
24	V528801830	4	HEX CAP SCREW	
25	V836855348	1	CONNECTION FLANGE	
26	V836867752	1	GASKET [A]	
27	V528801800	4	HEX CAP SCREW	
28	V836855350	2	BLOCK OFF PLATE	
29	V581804630	6	HEX SOCKET SCREW	
30	V500950800	6	SPRING WASHER	
31	V528801360	1	HEX CAP SCREW	
32	V836747849	1	SUPPORT	
33	V615881418	1	SEALING WASHER [A]	
34	V837073227	4	BAND	
35	V836640752	2	LIFT EYE [A] INCLUDED IN KIT V837079466	

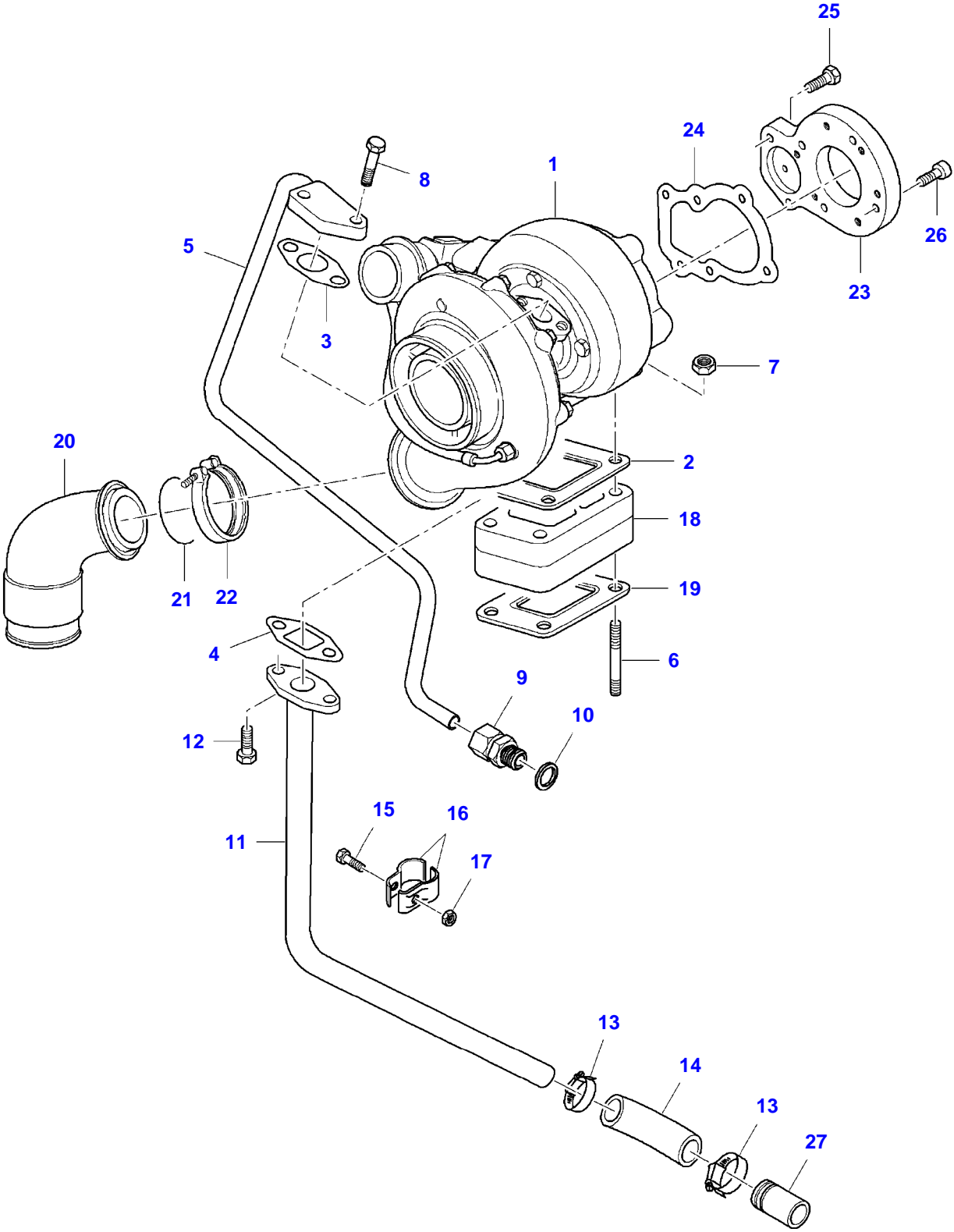
5220E COMBINE (STAGE 3B / TIER 4I) (55160001-999, 551610001-999)
8024636-F5-1



AIR INTAKE & EXHAUST

Item	Part Number	Qty	Description Comments
1	V836867065	1	EXHAUST MANIFOLD
2	V513601002	12	NUT
3	V836859188	12	STUD BOLT
4	V836664013	10	SPACER PIECE
5	V836664012	2	SPACER PIECE
6	V837070219	1	INTAKE MANIFOLD
7	V837069009	2	INTAKE MANIFOLD GASKET [A]
8	V529801470	1	HEX CAP SCREW
9	V581804702	4	HEX SOCKET SCREW
10	V837067295	1	INTAKE AIR PREHEATER
11	V836867579	1	AIR PIPE
12	V837067345	2	GASKET [A]
13	V529801530	2	HEX CAP SCREW
14	V837074078	1	BRACKET
15	V836015967	1	SEALING WASHER [A]
16	V500050642	2	WASHER
17	V581804182	2	HEX SOCKET SCREW
18	V529801550	1	HEX CAP SCREW
19	V528801400	4	HEX CAP SCREW
20	V836747849	1	SUPPORT
21	V528801410	8	HEX CAP SCREW
22	V528801082	1	HEX CAP SCREW
23	V528801420	1	HEX CAP SCREW
24	V836759433	2	SPACER PIECE
25	V529801595	1	HEX CAP SCREW
26	V837074145	1	SUPPORT
27	V528801362	1	HEX CAP SCREW [A] INCLUDED IN KIT V837079466

5220E COMBINE (STAGE 3B / TIER 4I) (55160001-999, 551610001-999)
8024638-F5-1

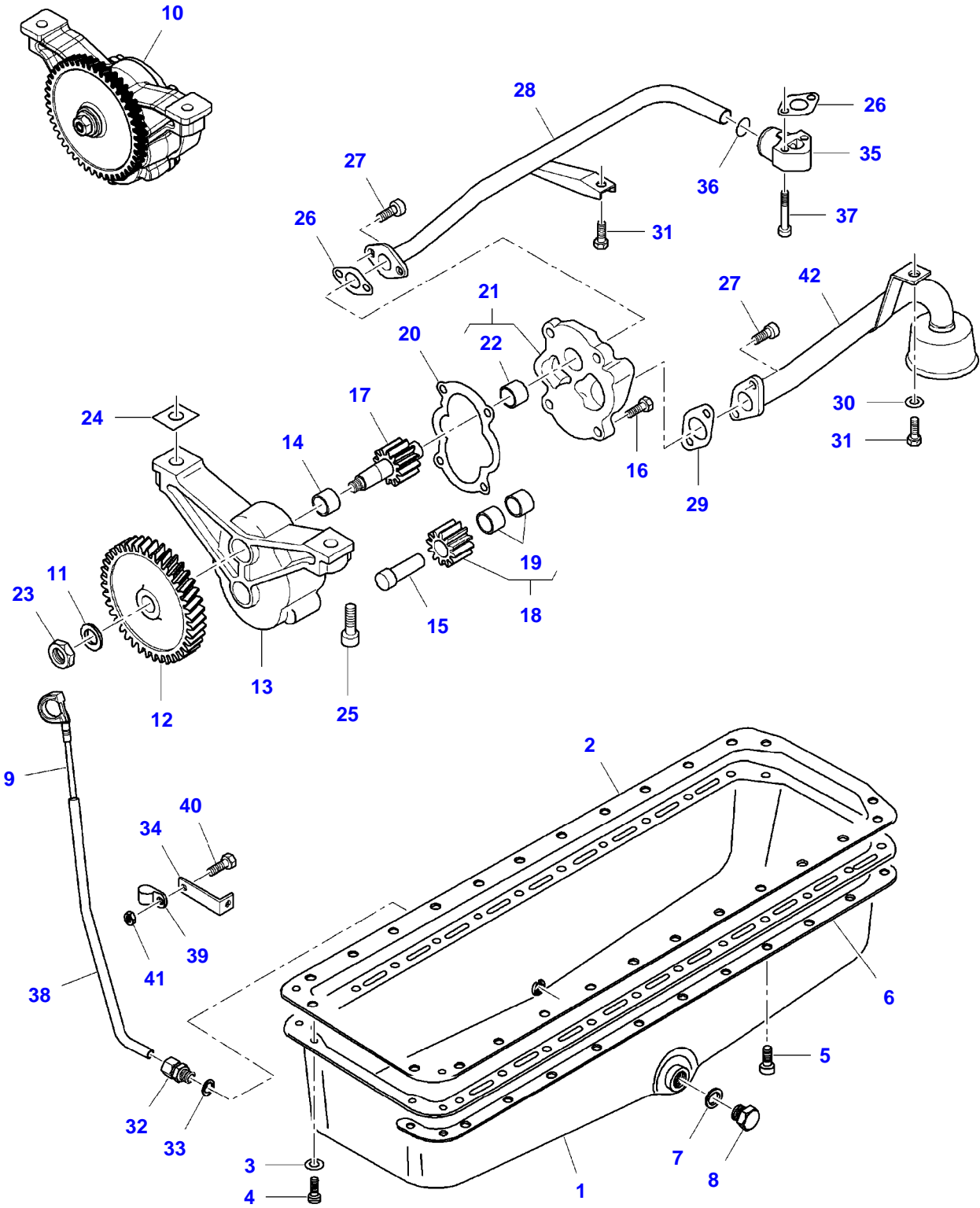


TURBOCHARGER

Item	Part Number	Qty	Description Comments
1	V836873825	1	TURBOCHARGER
2	V836316726	4	GASKET [A]
3	V836866808	4	GASKET [A]
4	V836866809	2	GASKET [A]
5	V837070341	1	TURBOCHARGER LUBRICATION OIL PIPE
6	V546701900	4	STUD BOLT
7	V521601000	4	NUT
8	V528801410	2	HEX CAP SCREW
9	V641086012	1	STRAIGHT FITTING
10	V615881620	1	SEALING WASHER [A]
11	V837070342	1	TURBOCHARGER LUBRICATION OIL PIPE
12	V528801380	2	HEX CAP SCREW
13	V602087528	1	HOSE CLIP
14	V836647576	1	RUBBER ELBOW
15	V529801112	1	HEX CAP SCREW
16	V835324324	2	PIPE CLAMP HALF
17	V504600602	1	NUT
18	V837070340	1	FLANGE
19	V836316726	1	GASKET [A]
20	V836866381	1	BOOST PIPE
21	V614606225	1	O-RING [A]
22	V836866454	1	V CLAMP
23	V836873773	1	FLANGE
24	V836355017	1	GASKET [A]
25	V528801400	2	HEX CAP SCREW
26	V581804600	4	HEX SOCKET SCREW
27	V836647574	1	OIL PIPE

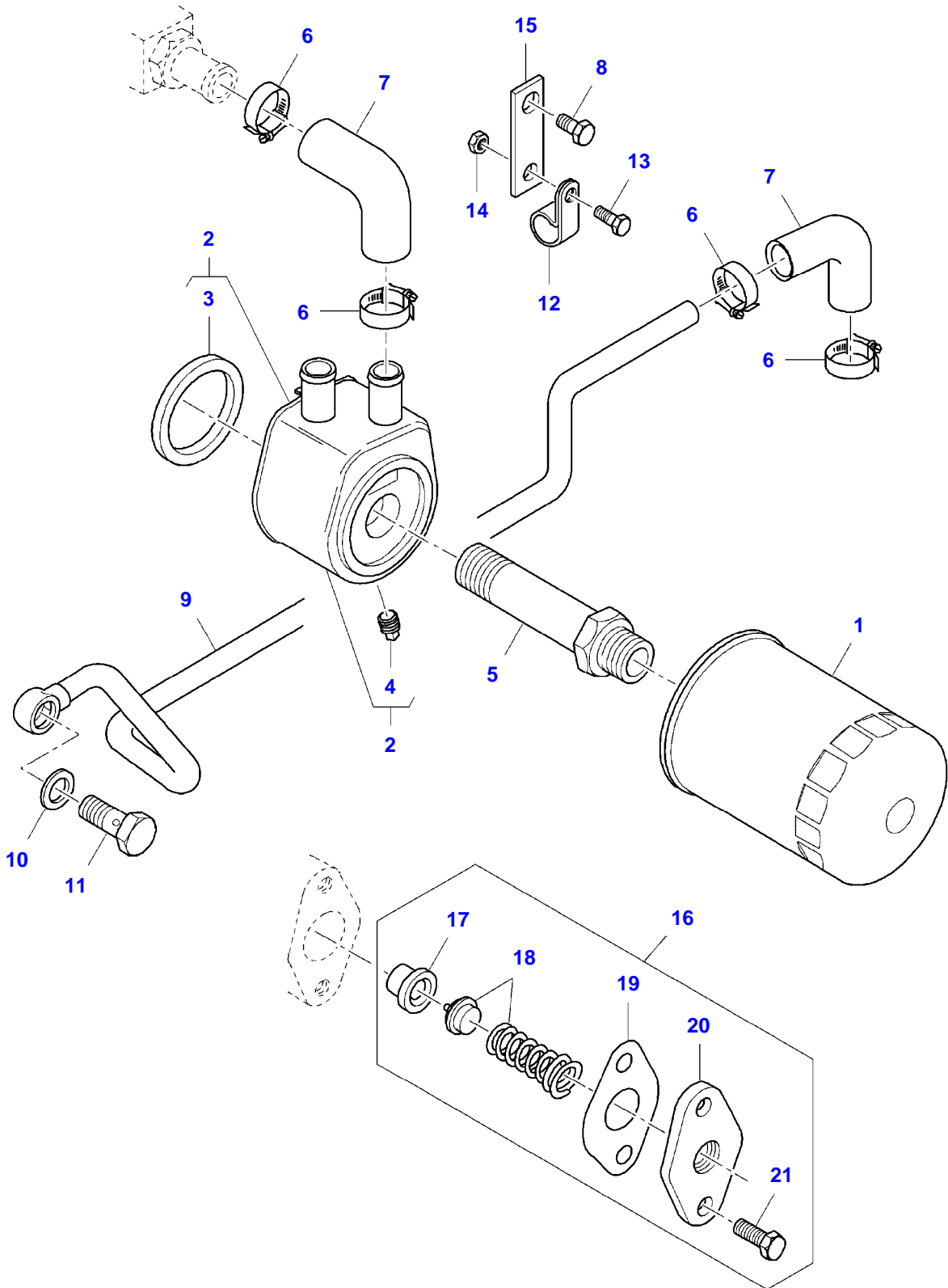
[A] INCLUDED IN KIT V837079466

5220E COMBINE (STAGE 3B / TIER 4I) (55160001-999, 551610001-999)
8024595-F5-1



Item	Part Number	Qty	Description Comments
1	V836347308	1	OIL SUMP
2	V836322538	1	OIL SUMP GASKET [A]
3	V500950800	4	SPRING WASHER
4	V580804600	4	HEX SOCKET SCREW
5	V580805000	24	HEX SOCKET SCREW
6	V836884179	2	PLATE
7	V615882227	1	SEALING WASHER [A]
8	V640045022	1	PLUG
9	V836867888	1	DIPSTICK
10	V836855300	1	LUBRICATING OIL PUMP INCLUDES ITEMS 11-23
11	V836122910	1	WASHER
12	V836338667	1	GEAR
13	V836338186	1	FRAME
14	V836322909	1	BUSH
15	V836322906	1	OIL PUMP SHAFT
16	V528801382	4	HEX CAP SCREW
17	V836338182	1	OIL PUMP SHAFT
18	V836338180	1	GEAR,OIL PUMP
19	V836322909	2	BUSH
20	V836338188	1	GASKET [A]
21	V836855297	1	COVER
22	V836322909	1	BUSH
23	V504861000	1	NUT
24	V836007871	X	SHIM
25	V581805050	2	HEX SOCKET SCREW
26	V836008449	2	GASKET [A]
27	V581804602	4	HEX SOCKET SCREW
28	V836866569	1	OIL PIPE
29	V836338201	1	GASKET [A]
30	V500150840	1	WASHER
31	V528801360	2	HEX CAP SCREW
32	V641086012	1	STRAIGHT FITTING
33	V615881620	1	SEALING WASHER [A]
34	V836859955	1	SUPPORT
35	V836866563	1	ADAPTER FLANGE
36	V614702230	1	O-RING [A]
37	V581804680	2	HEX SOCKET SCREW
38	V836867889	1	OIL DIPSTICK GUIDE PIPE
39	V602060612	1	RETAINER CLAMP
40	V528801400	2	HEX CAP SCREW
41	V504800800	1	NUT
42	V836855674	1	OIL PUMP SUCTION PIPE [A] INCLUDED IN KIT V837079467

5220E COMBINE (STAGE 3B / TIER 4I) (55160001-999, 551610001-999)
8024664-F5-1



OIL COOLER AND FILTER

Item	Part Number	Qty	Description Comments
1	V836679586	1	ENGINE OIL FILTER
2	V836859699	1	OIL COOLER
3	V836862235	1	SEAL [A]
4	V640004004	1	PLUG
5	V836859700	1	UNION
6	V602079516	4	HOSE CLIP
7	V836859899	2	RUBBER ELBOW
8	V528801760	1	HEX CAP SCREW
9	V837073863	1	WATER PIPE
10	V615881822	2	SEALING WASHER [A]
11	V640435015	1	BANJO BOLT
12	V602074615	1	RETAINER CLAMP
13	V528801382	1	HEX CAP SCREW
14	V504800800	1	NUT
15	V837070143	1	SUPPORT
16	V837079484	1	OIL PRESSURE CONTROL VALVE
17	V836659521	1	VALVE SEAT
18	V836667650	1	SPRING ASSEMBLY
19	V836322190	1	GASKET [A]
20	V837074289	1	COVER
21	V528801382	2	HEX CAP SCREW [A] INCLUDED IN KIT V837079467



Suggest:

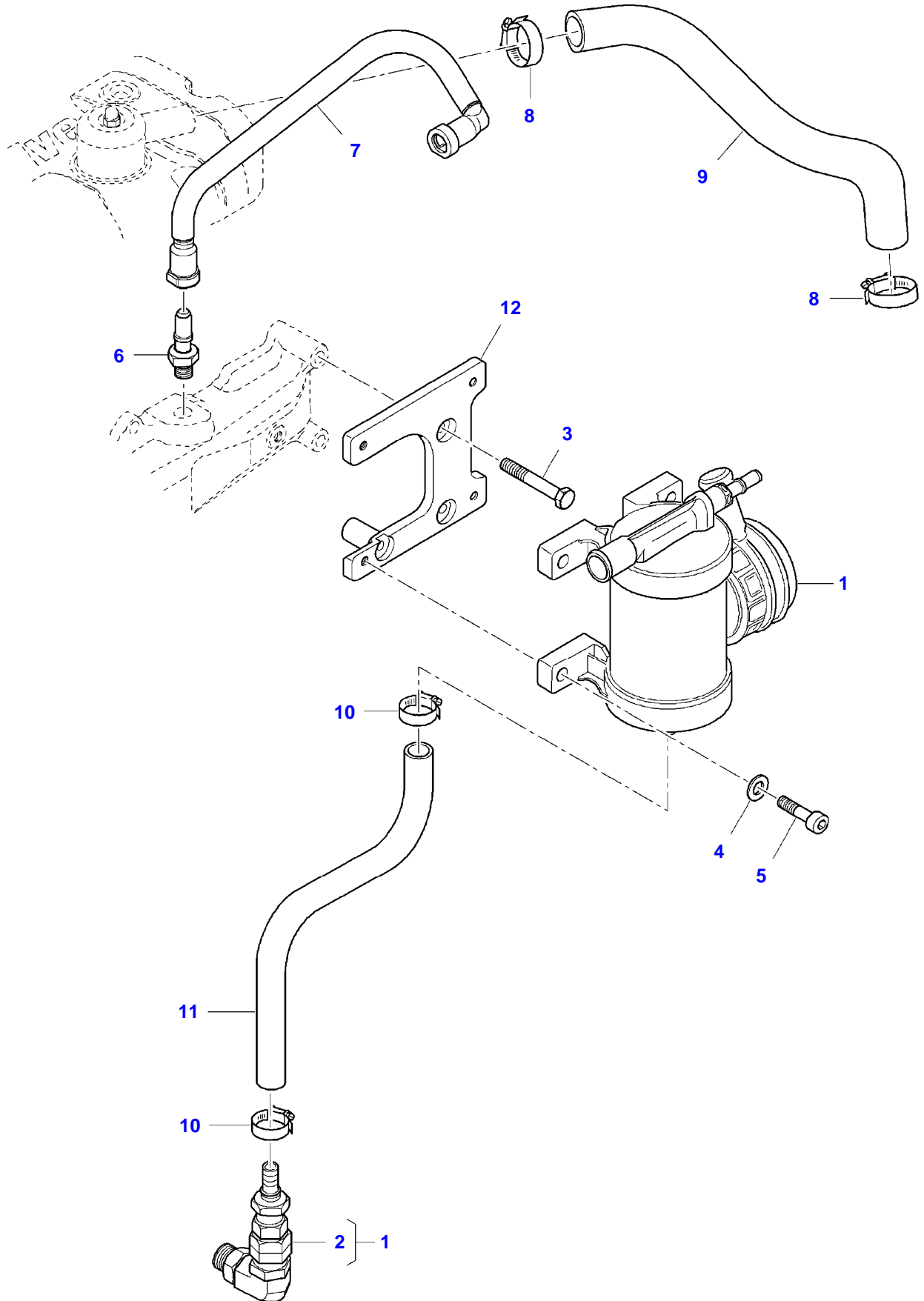
For more complete manuals. Please go to the home page.

<https://www.ebooklibonline.com>

If the above button click is invalid. Please download this document first, and then click the above link to download the complete manual.

Thank you so much for reading

5220E COMBINE (STAGE 3B / TIER 4I) (551600001-999, 551610001-999)
8024777-F5-1



Item	Part Number	Qty	Description	Comments
1	V837084090	1	BREATHER VALVE	
2	V837079487	1	CHECK VALVE	
3	V529801480	3	HEX CAP SCREW	
4	V500150842	4	WASHER	
5	V581804630	4	HEX SOCKET SCREW	
6	V837067936	1	QUICK COUPLER	
7	V837074303	1	AIR HOSE	
8	V602090544	2	HOSE CLIP	
9	V837074422	1	HOSE	
10	V602079516	2	HOSE CLIP	
11	V837074299	1	HOSE	
12	V837074103	1	BRACKET	

<https://www.ebooklibonline.com>

Hello dear friend!

Thank you very much for reading.

Enter the link into your browser.

The full manual is available for immediate download.

<https://www.ebooklibonline.com>