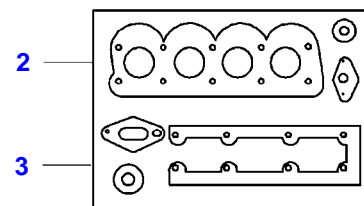
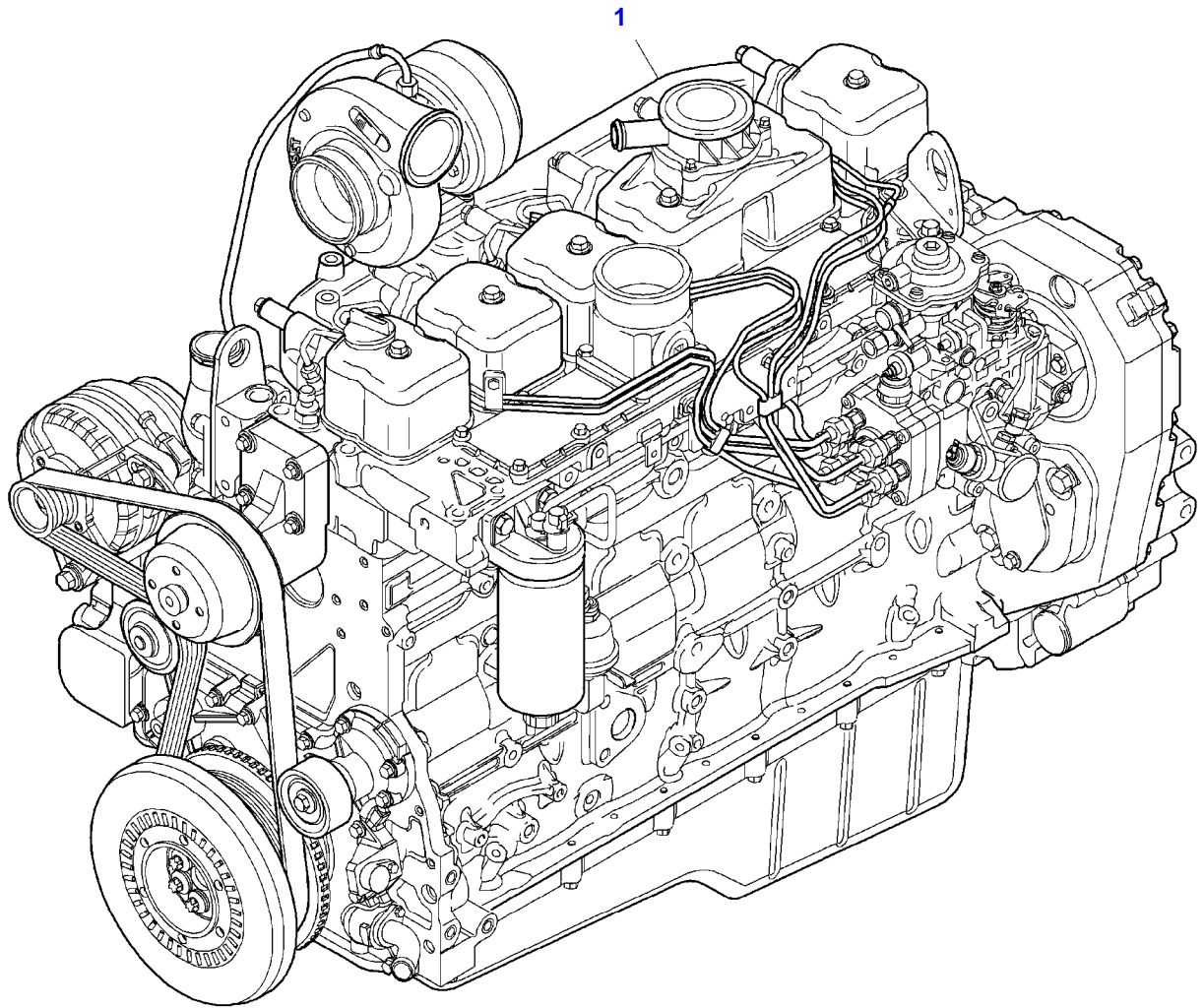


**TABLE OF CONTENT**

<b>Page Number</b>	<b>Page Title</b>	<b>Page Reference</b>
01-000-TOC	ENGINE	01-000-TOC
02-000-TOC	ENGINE INSTALLATION	02-000-TOC
03-000-TOC	DRIVE SYSTEM	03-000-TOC
04-000-TOC	AXLES	04-000-TOC
05-000-TOC	FRAME AND SUSPENSION	05-000-TOC
06-000-TOC	STEERING SYSTEM	06-000-TOC
07-000-TOC	DRIVE TRAIN SYSTEM	07-000-TOC
08-000-TOC	BRAKE SYSTEM	08-000-TOC
09-000-TOC	HYDRAULIC SYSTEM	09-000-TOC
10-000-TOC	ELECTRICAL SYSTEM	10-000-TOC
11-000-TOC	CAB	11-000-TOC
12-000-TOC	AIR CONDITIONING AND HEATING SYSTEM	12-000-TOC
13-000-TOC	CHASSIS	13-000-TOC
14-000-TOC	DECALS	14-000-TOC
15-000-TOC	WHEELS	15-000-TOC
16-000-TOC	FEEDING SYSTEM	16-000-TOC
17-000-TOC	THRESHING SYSTEM	17-000-TOC
18-000-TOC	CLEANING SYSTEM	18-000-TOC
19-000-TOC	GRAIN BIN AND ELEVATOR SYSTEM	19-000-TOC
20-000-TOC	DISCHARGE SYSTEM	20-000-TOC
21-000-TOC	ATTACHMENTS	21-000-TOC
22-000-TOC	ACCESSORIES	22-000-TOC

## ENGINE

Page Number	Page Title	Page Reference
01-0001	ENGINE ASSEMBLIES	LC02L005-1
01-0002	CYLINDER BLOCK	LA46L001-1
01-0003	TIMING GEARS AND HOUSING	LC29L002-1
01-0004	FLYWHEEL	LC26L001-1
01-0005	FLYWHEEL HOUSING	LA04L002-1
01-0006	CRANKSHAFT AND PISTONS	LA05L003-1
01-0007	CAMSHAFT	LC25L001-1
01-0008	VALVE MECHANISM	LC27L002-1
01-0009	CYLINDER HEAD	LA07L002-1
01-0010	VALVE ROCKER COVER	LA08L002-1
01-0011	INTAKE MANIFOLD	LE09L003-1
01-0012	EXHAUST MANIFOLD	LE07L003-1
01-0013	TURBOCHARGER	LE15L005-1
01-0014	TURBOCHARGER - OIL PIPE	LE30L001-1
01-0015	OIL SUMP	LC30L001-1
01-0016	OIL PUMP	LE35L001-1
01-0017	OIL FILTER	LC22L001-1
01-0018	WATER PUMP	LE17L002-1
01-0019	FUEL INJECTION PUMP	LE08L003-1
01-0020	FUEL INJECTION PIPES	LE27L001-1
01-0021	FUEL FILTER	LC54L010-1
01-0022	FUEL PIPES	LE22L007-1
01-0023	FUEL PUMP	HB63L001-1
01-0024	THERMOSTAT	HB09L001-1
01-0025	ALTERNATOR & FITTING BRACKET	LE02L003-1
01-0026	ALTERNATOR - (COMPONENTS)	LE02L004-1
01-0027	STARTER MOTOR	LE13L003-1
01-0028	FAN DRIVE	HB64L001-1



**<https://www.ebooklibonline.com>**

Hello dear friend!

Thank you very much for reading.

Enter the link into your browser.

The full manual is available for immediate download.

**<https://www.ebooklibonline.com>**

---

Fendt

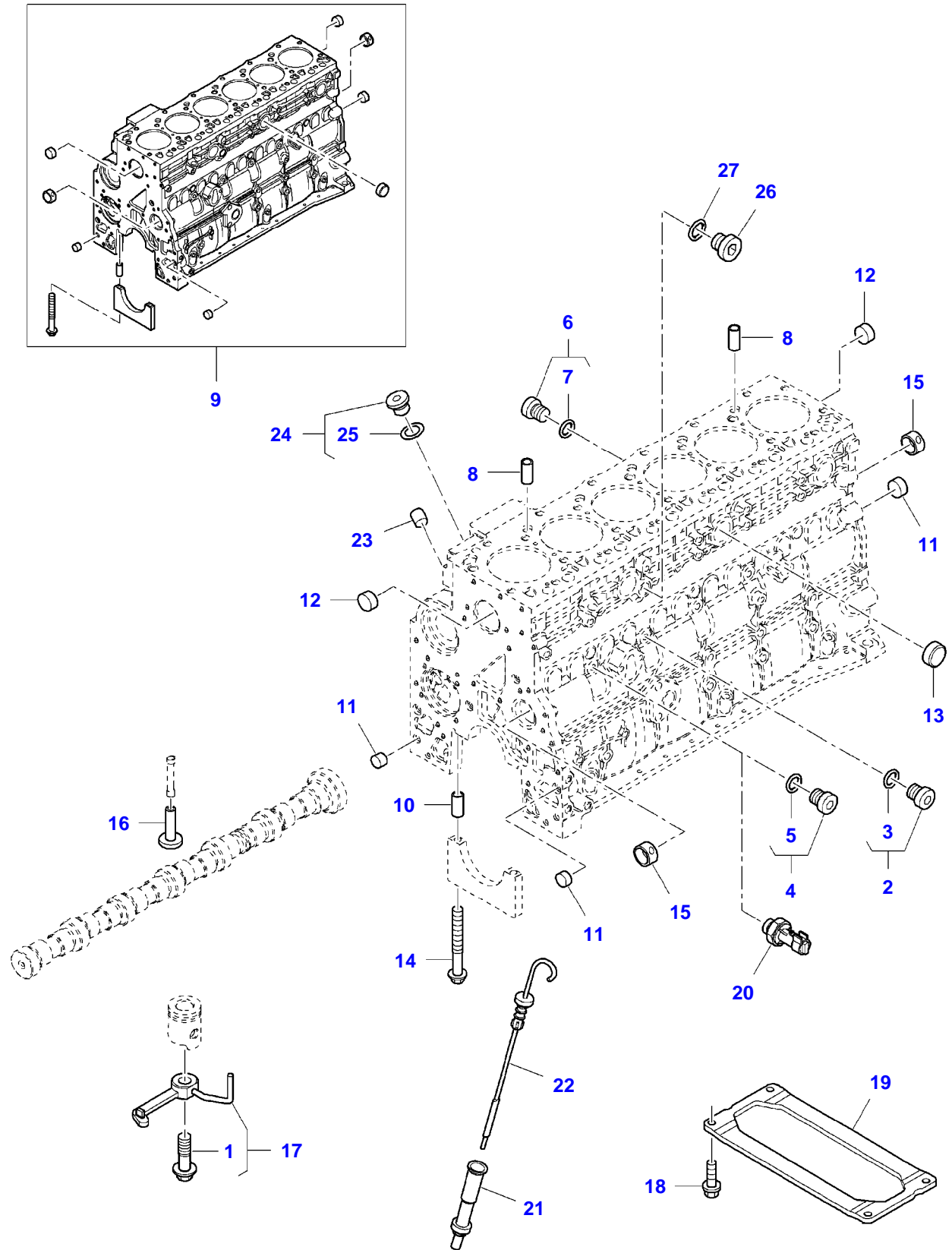
5180E COMBINE (551110001-492 / 551100001-492) (ZN205511K03000493-568)

3906256

ENGINE ASSEMBLIES

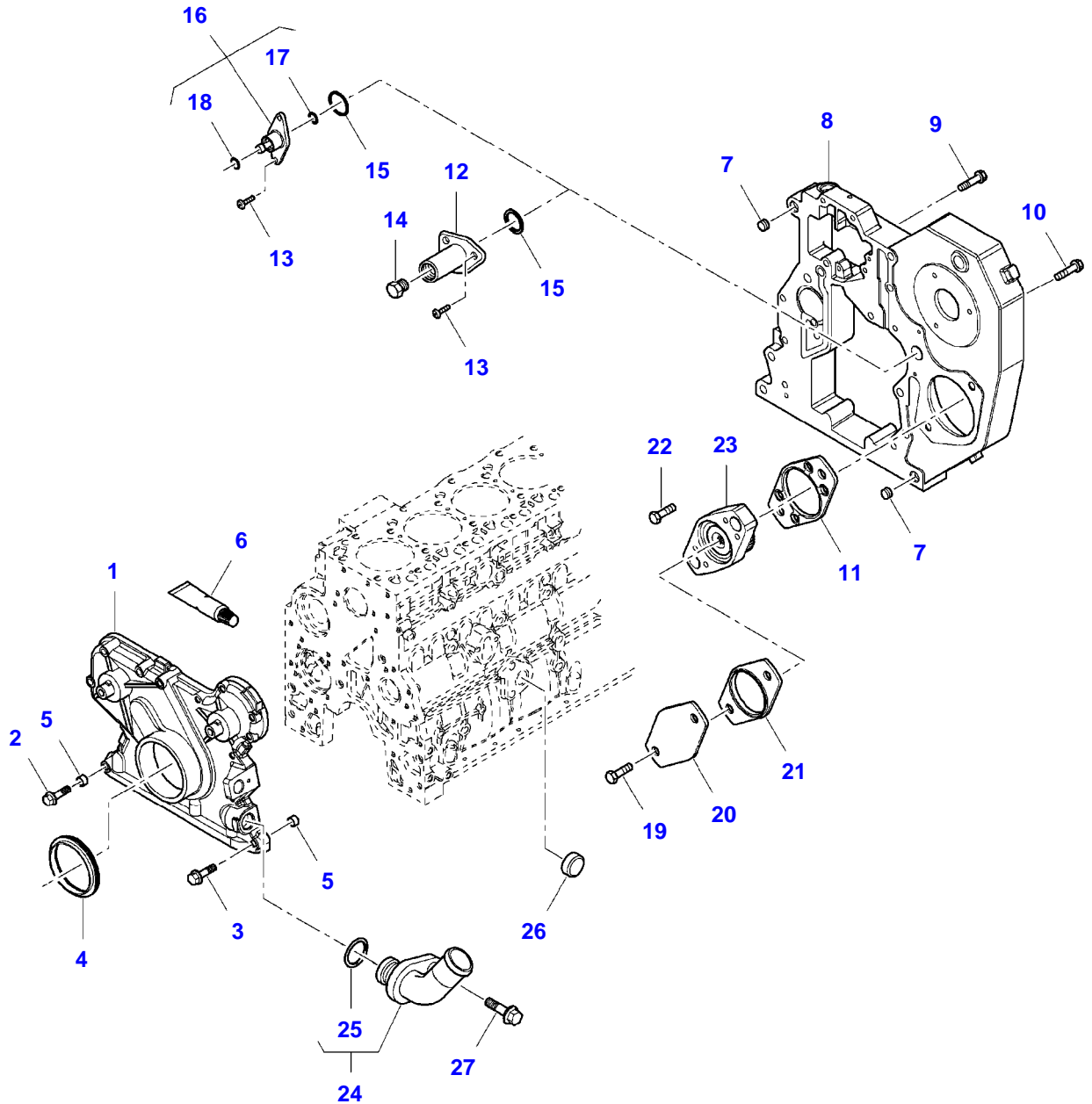
Page01-0001

Item	Part Number	Qty	Description Comments
1	LA323284800	1	ENGINE UP TO MACHINE S/N 551100320
	7059170M91	1	ENGINE FROM MACHINE S/N 551100321
2	LA8093899	1	KIT, JOINT
3	LA8093890	1	KIT, VALVE

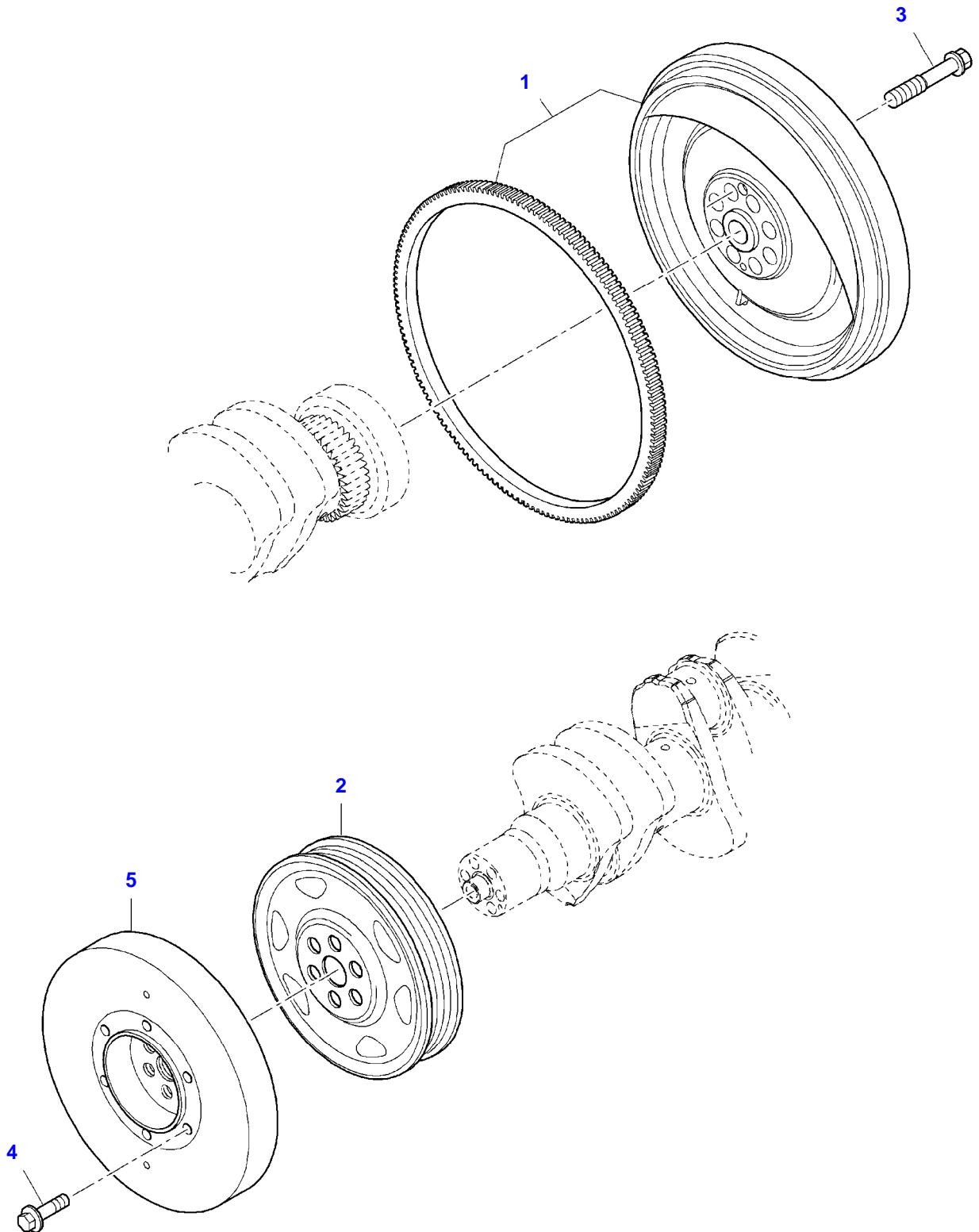


## CYLINDER BLOCK

Item	Part Number	Qty	Description Comments	Technical Specification
1	LA4894218	6	FILLER	
2	LA4895605	2	PLUG	M14 (1.5)
	LA4895605	1	UP TO MACHINE S/N 313235 PLUG	M14 (1.5)
			FROM MACHINE S/N 313236	
3	LA4899115	2	O RING	
	LA4899115	1	UP TO MACHINE S/N 313235 O RING	
			FROM MACHINE S/N 313236	
4	LA4899009	2	PLUG	M10 (1.0)
	LA4899009	1	UP TO MACHINE S/N 313235 PLUG	M10 (1.0)
			FROM MACHINE S/N 313236	
5	LA4899072	2	O RING	
	LA4899072	1	UP TO MACHINE S/N 313235 O RING	
			FROM MACHINE S/N 313236	
6	LA4895392	2	PLUG	M18 (1.5)
7	LA4895393	2	O RING	
8	LA4895049	2	DOWEL	
9	LA2830076	1	ENGINE BLOCK	
10	LA4899026	14	DOWEL	
11	LA4895039	3	PLUG	
12	LA4895038	6	PLUG	
13	LA4895228	3	PLUG	
14	LA4891353	14	HEX CAP SCREW	M12 X 120
15	LA4895040	2	BEARING	
16	LA4895180	12	CUP	
17	LA504054307	6	JET	
18	LA4899032	14	HEX CAP SCREW	M10 X 25
19	LA504076109	1	PLATE	
20	LA504085003	1	SENSOR	
21	LA504067540	1	OIL LEVEL TUBE	
22	LA504070964	1	DIPSTICK	
23	LA4899036	3	PLUG	
24	LA4897330	1	PLUG	M12 (1,5)
25	LA4895610	1	O RING	
26	LA4895623	1	PLUG	
27	LA17281681	1	O-RING	



Item	Part Number	Qty	Description Comments	Technical Specification
1	LA4897027	1	COVERING	
2	LA4899078	5	HEX CAP SCREW	
3	LA4899063	7	HEX CAP SCREW	M8 X 30
			UP TO MACHINE S/N 22680	
	LA4899019	1	HEX CAP SCREW	M8 X 35
			UP TO MACHINE S/N 22680	
	LA4899063	8	HEX CAP SCREW	M8 X 30
			FROM MACHINE S/N 22681	
4	LA4890832	1	SEAL	
5	LA4891209	2	PLUG	
6	LA2992504	1	ADHESIVE	
7	LA4899026	2	DOWEL	
8	LA504035017	1	HOUSING	
9	LA4899091	4	HEX CAP SCREW	
10	LA4899093	5	HEX CAP SCREW	
	LA4899073	1	HEX CAP SCREW	
11	LA4896897	1	GASKET	
12	LA504170787	1	PLATE	
			FROM MACHINE S/N 295152	
13	LA4895355	2	SCREW	M5 X 17
14	LA16882515	1	PLUG	
			FROM MACHINE S/N 295152	
15	LA4895357	1	RING	
			UP TO MACHINE S/N 161404	
	LA17278780	1	O RING	
			FROM MACHINE S/N 161405	
16	LA4895356	1	LOCKING PLATE	
			UP TO MACHINE S/N 161404	
	LA504074001	1	LOCKING PLATE	
			FROM MACHINE S/N 161405	
			UP TO MACHINE S/N 295151	
17	LA4895418	1	O-RING	
			UP TO MACHINE S/N 161404	
	LA17278090	1	O RING	
			FROM MACHINE S/N 161405	
			UP TO MACHINE S/N 295151	
18	LA504079852	1	WASHER	
			FROM MACHINE S/N 161405	
			UP TO MACHINE S/N 295151	
19	LA16678135	2	HEX CAP SCREW	M12 X 45 (1.25)
20	LA504024782	1	COVERING	
21	LA504024783	1	GASKET	
22	LA18139424	2	HEX CAP SCREW	M10 X 20
23	LA504072956	1	POWER TAKE-OFF (PTO)	
24	LA504046522	1	FILLER	
25	LA17281881	1	O-RING	Ø 17,12 X 2,62 MM
26	LA4895037	1	PLUG	
27	LA16597225	1	BOLT	M6 X 18



---

Fendt

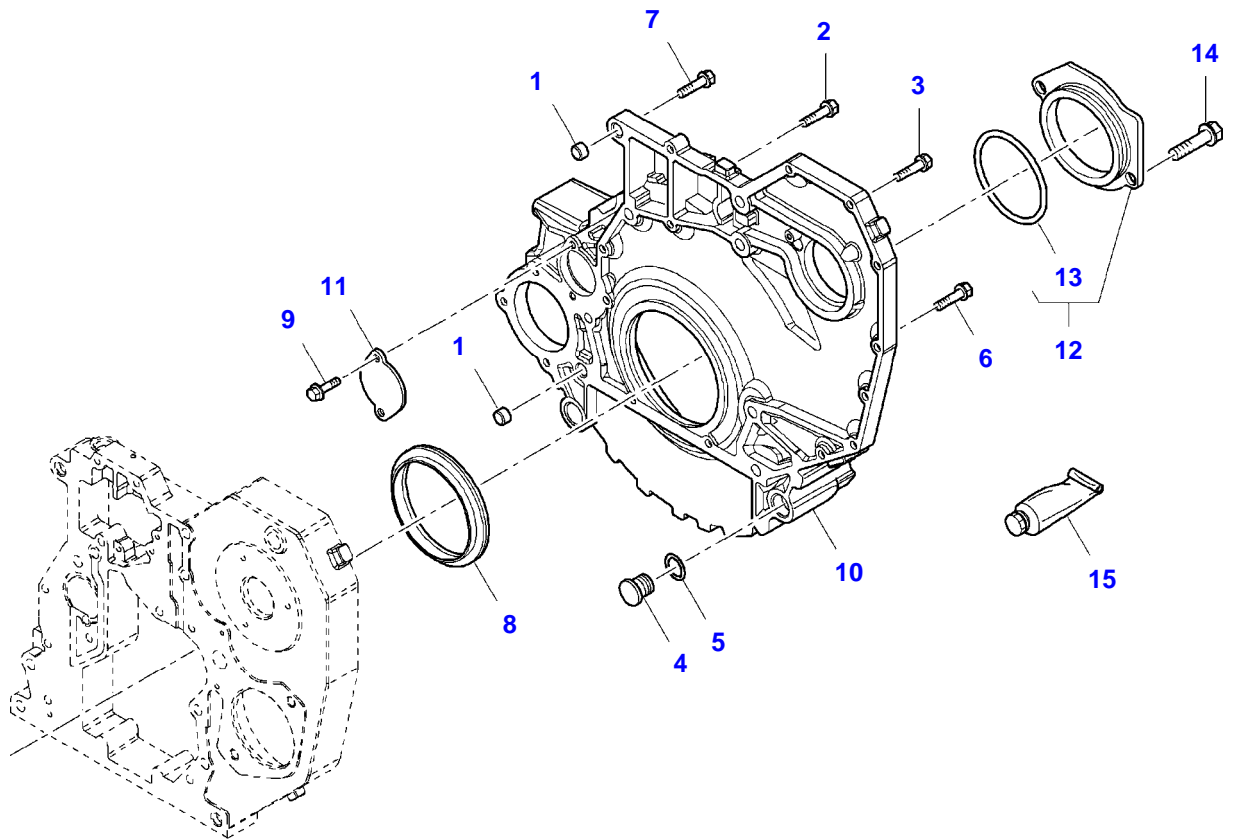
5180E COMBINE (551110001-492 / 551100001-492) (ZN205511K03000493-568)

3906256

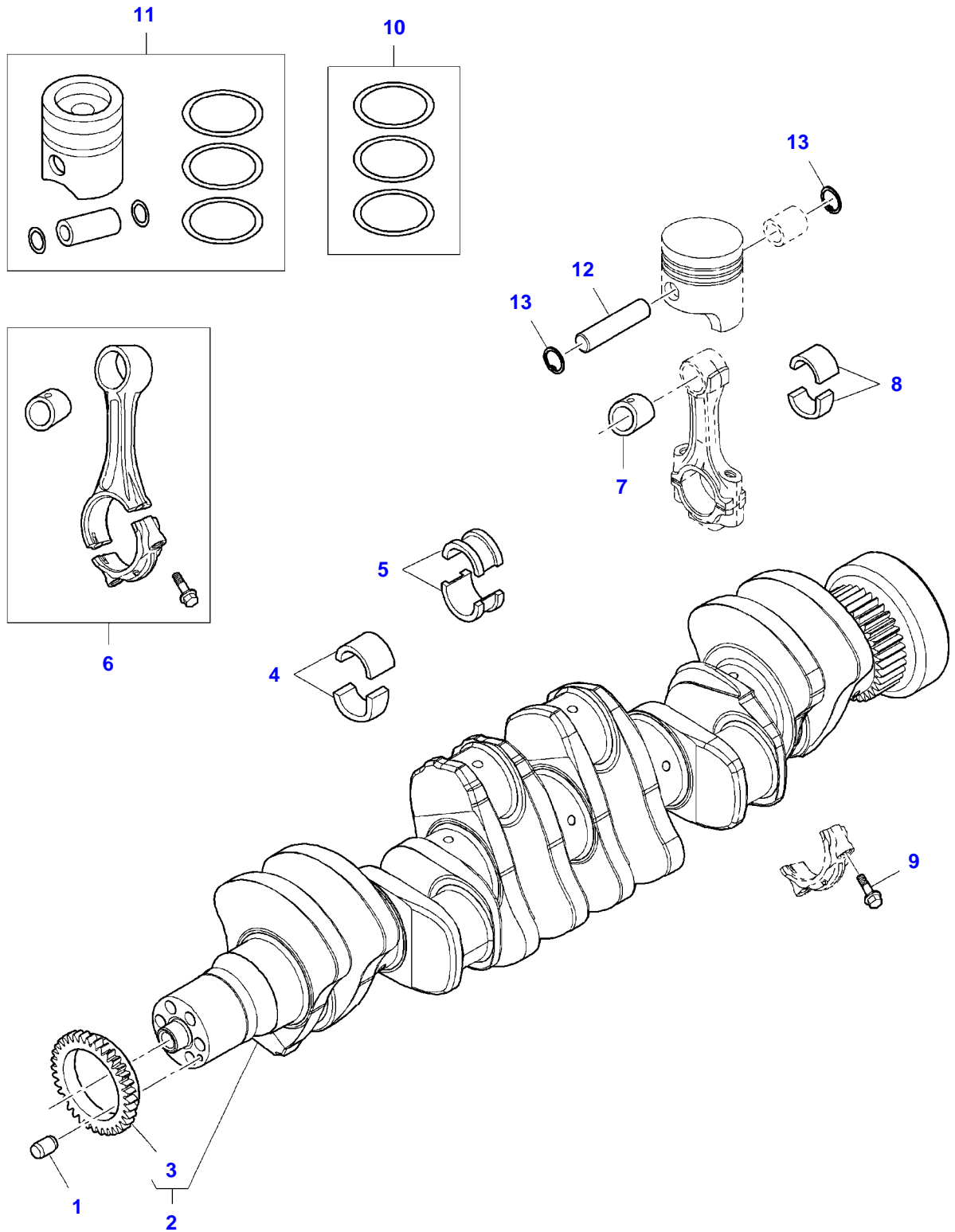
FLYWHEEL

Page01-0004

Item	Part Number	Qty	Description Comments
1	LA504006952	1	FLYWHEEL
2	LA4896773	1	PULLEY
3	LA4894641	8	SCREW
4	LA4892867	6	BOLT
5	LA504132176	1	DAMPER

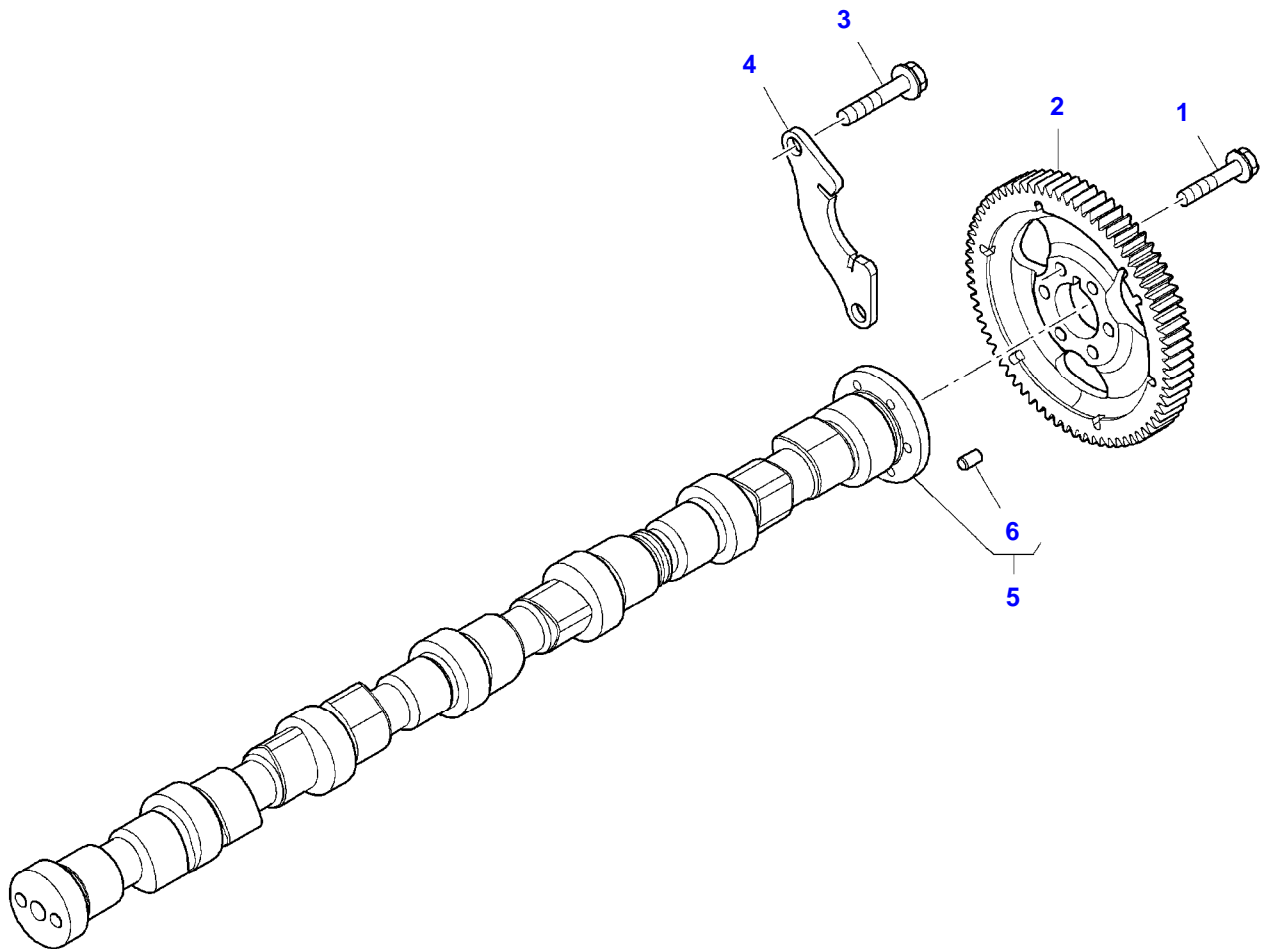


Item	Part Number	Qty	Description Comments	Technical Specification
1	LA4899026	2	DOWEL	
2	LA4899109	2	HEX CAP SCREW	M10 X 80 (1.5)
3	LA4892915	11	HEX CAP SCREW	M10 X 40 (1.5)
4	LA4895378	1	PLUG	Ø 29 MM
5	LA17288480	1	O-RING	Ø 21,81 X 3,53 MM
6	LA4899076	5	HEX CAP SCREW	M12 X 80
7	LA4899074	3	HEX CAP SCREW	
8	LA4890833	1	SEAL	
9	LA4899068	2	HEX CAP SCREW	M8 X 17
10	LA504128011	1	FLYWHEEL HOUSING	
11	LA4895155	1	COVERING	
12	LA504115364	1	COVERING	
13	LA17285481	1	O-RING	Ø 75,87 X 2,62 MM
14	LA16673635	2	HEX CAP SCREW	M8 X 20 (1.25)
15	LA2992504	1	ADHESIVE	



## CRANKSHAFT AND PISTONS

Item	Part Number	Qty	Description Comments	Technical Specification
1	LA4899046	1	DOWEL	
2	LA504057571	1	MOTOR SHAFT	
3	LA4893386	1	GEAR	
4	LA2995787	6	BEARING STANDARD	
	LA2995788	6	BEARING	-0,250
	LA2995789	6	BEARING	-0,500
5	LA2995784	1	BEARING STANDARD	
	LA2995785	1	BEARING	-0,250
	LA2995786	1	BEARING	-0,500
6	LA2831298	6	PISTON ROD	
7	LA4892708	6	BUSH	
8	LA8093882	6	BEARING STANDARD	
	LA8094960	6	BEARING	-0,250
	LA8094961	6	BEARING	-0,500
9	LA2831297	12	BOLT	
10	LA8093881	6	RING SET STANDARD	
	LA8093949	6	KIT, RING	+0,4
11	LA8094740	6	PISTON STANDARD	
	LA8094753	6	PISTON	+0,4
12	LA4892712	6	PISTON PIN	
13	LA504093651	12	CIRCLIP	



---

Fendt

5180E COMBINE (551110001-492 / 551100001-492) (ZN205511K03000493-568)

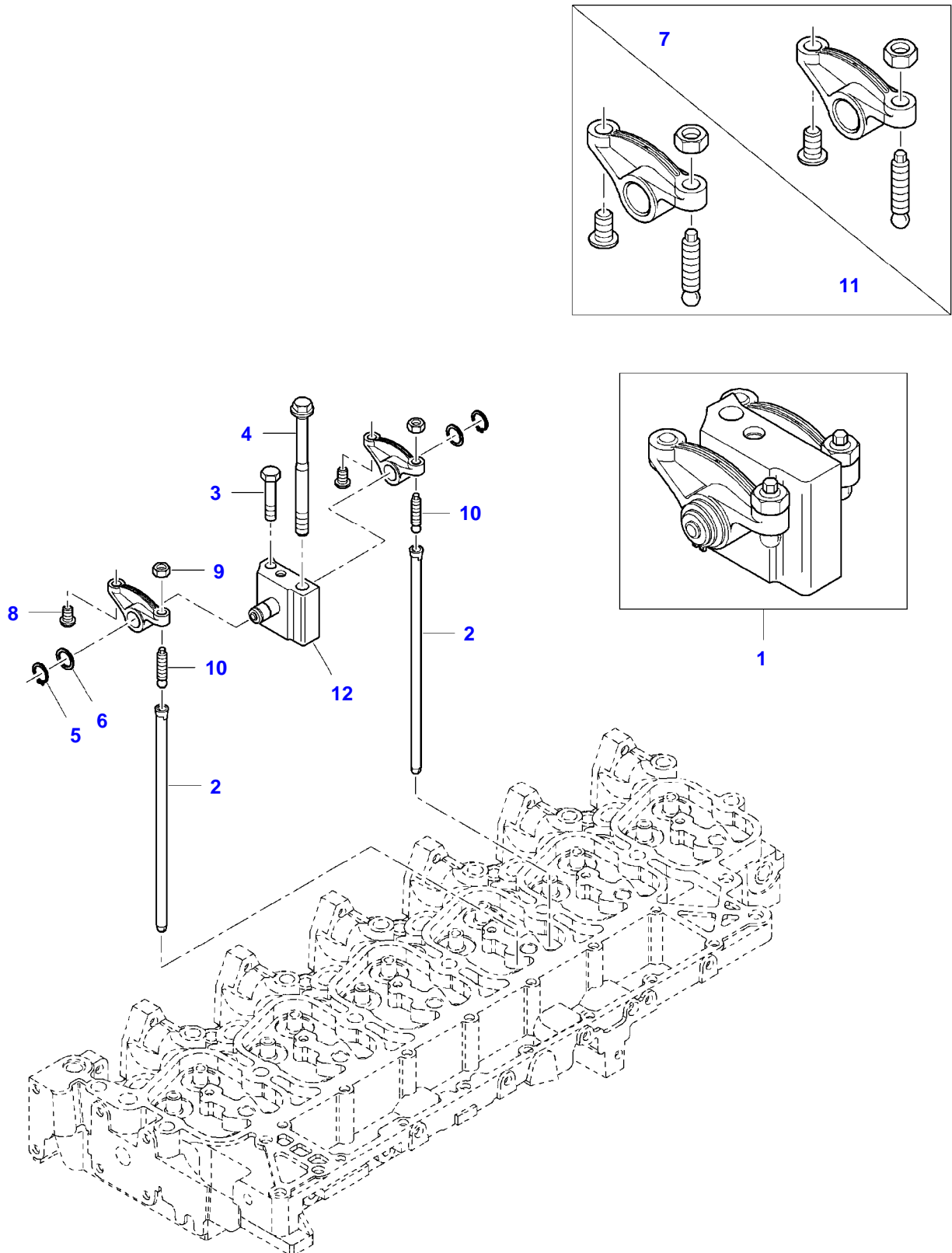
3906256

CAMSHAFT

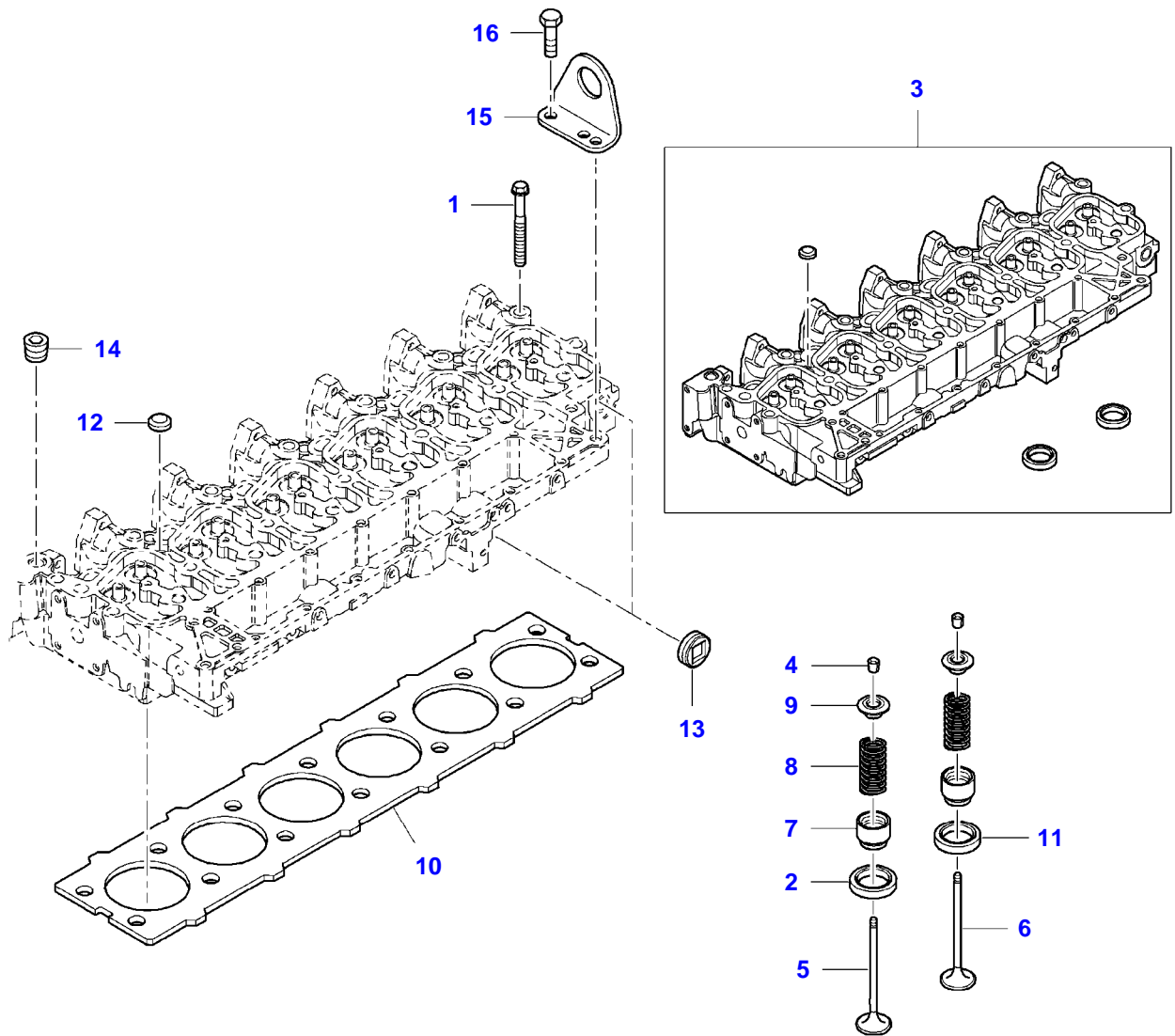
Page01-0007

---

Item	Part Number	Qty	Description Comments	Technical Specification
1	LA4899079	6	HEX CAP SCREW	
2	LA4896622	1	GEAR	
3	LA4899068	2	HEX CAP SCREW	M8 X 17
4	LA4897457	1	STIRRUP	
5	LA504094080	1	CAMSHAFT	
6	LA4899080	1	DOWEL	

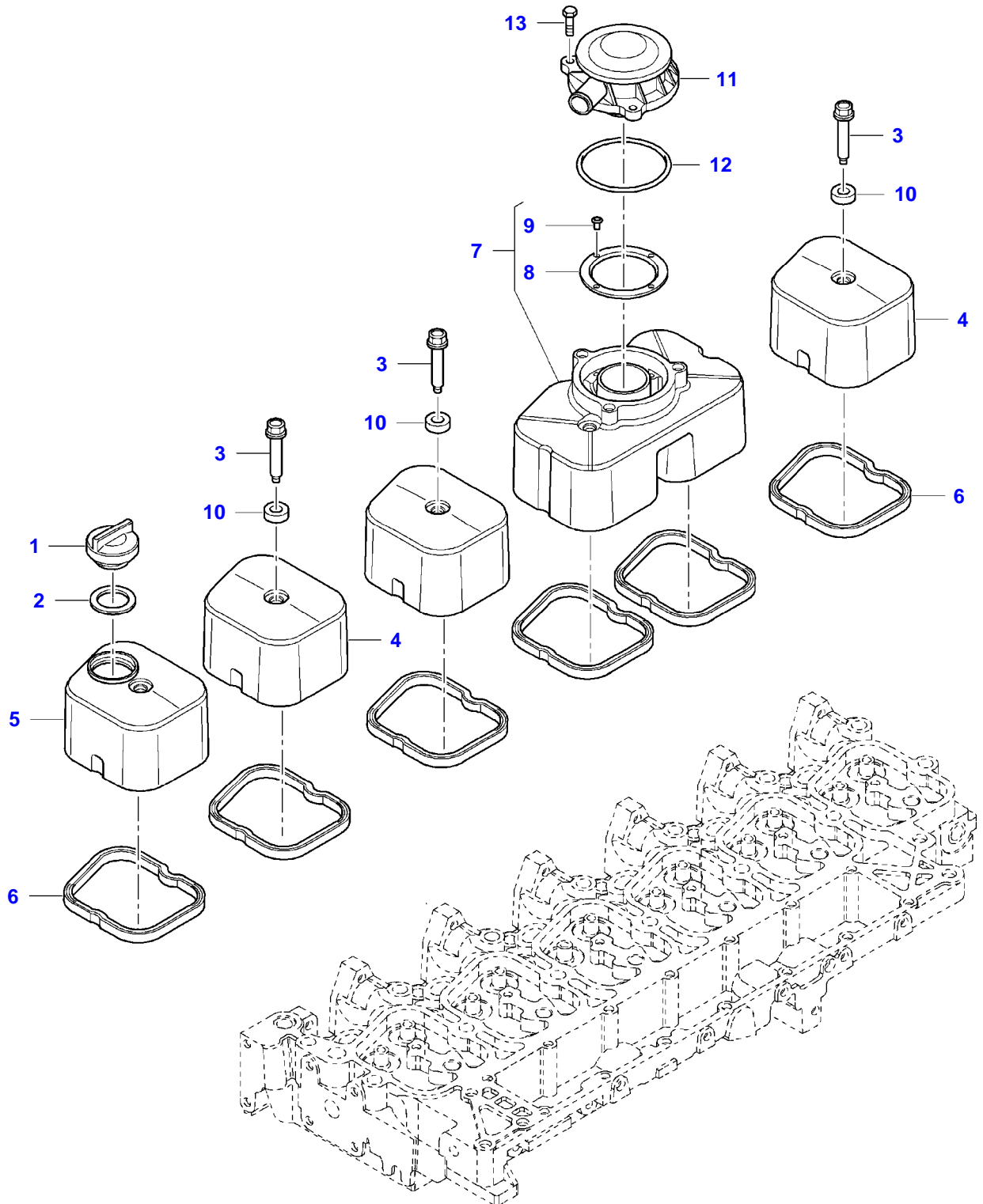


Item	Part Number	Qty	Description Comments	Technical Specification
1	LA4895195	6	ROCKER ARM SHAFT	
2	LA4895361	12	ROD	
3	LA504067723	6	HEX CAP SCREW	M8 X 60 (1.25)
4	LA4892860	6	BOLT	M12 (1.75)
5	LA4895363	12	CIRCLIP	
6	LA4895364	12	WASHER	
7	LA4895196	6	ROCKER ARM	
8	LA4895365	12	PIN	
9	LA4895198	12	NUT	
10	LA4895199	12	SCREW	
11	LA4895200	6	ROCKER ARM	
12	LA4895204	6	ROCKER ARM SHAFT	



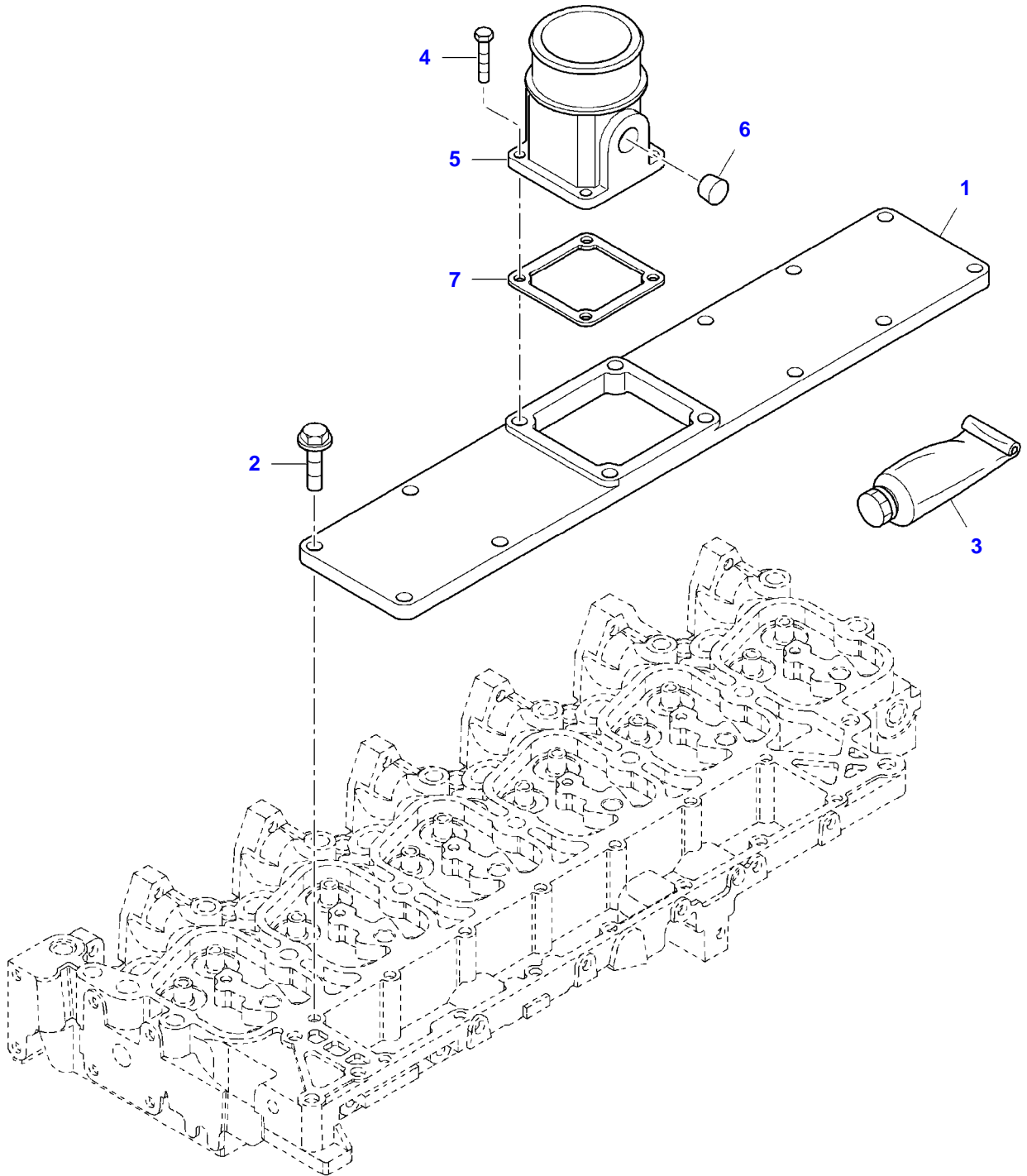
## CYLINDER HEAD

Item	Part Number	Qty	Description Comments	Technical Specification
1	LA4892861	6	HEX CAP SCREW	M15 (1,75)
	LA4892859	14	HEX CAP SCREW	M15 (1,75)
2	LA4897178	6	KIT, RING	
3	LA4895766	1	CYLINDER HEAD	
4	LA4895183	24	HALF VALVE CONE	
5	LA4899632	6	INLET VALVE	
6	LA4895187	6	EXHAUST VALVE	
7	LA4895347	12	CAP	
8	LA4895215	12	SPRING	
9	LA4895184	12	CAP	
10	LA2830922	1	GASKET	
11	LA4897179	6	KIT, RING	
12	LA4895179	5	LOCKING CAP	
13	LA4895078	2	PLUG	
14	LA4895078	1	PLUG	
15	LA504026078	1	LUG	
16	LA4899073	2	HEX CAP SCREW	



## VALVE ROCKER COVER

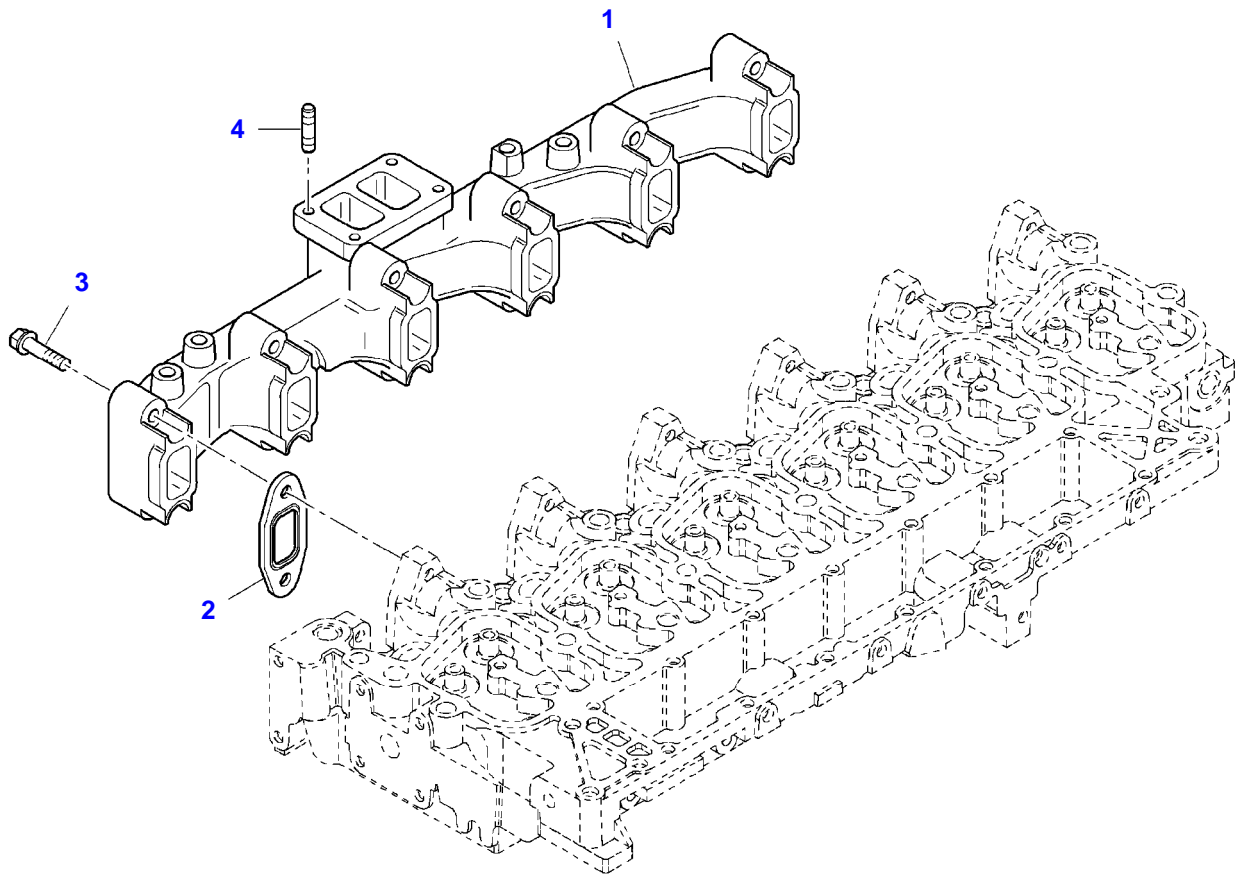
Item	Part Number	Qty	Description Comments	Technical Specification
1	LA4895202	1	PLUG	
2	LA4895296	1	SEAL	
3	LA4895214	6	BOLT	M8 (1.25)
4	LA504065040	3	COVERING	
5	LA504065039	1	COVERING	
6	LA504053522	6	SEAL	
7	LA2830784	1	COVERING	
8	LA2830775	1	RING	
9	LA16784504	4	SCREW	
10	LA4895360	6	DOWEL	
11	LA500315794	1	VALVE	
12	LA500315795	1	GASKET	
13	LA4899110	3	HEX CAP SCREW	



**INTAKE MANIFOLD**

---

<b>Item</b>	<b>Part Number</b>	<b>Qty</b>	<b>Description Comments</b>	<b>Technical Specification</b>
1	LA504064867	1	COVERING	
2	LA4899039	10	HEX CAP SCREW	M8 X 25 (1.25)
3	LA2992545	1	ADHESIVE	
4	LA4899630	4	HEX CAP SCREW	
5	LA2830891	1	INTAKE DUCT	
6	LA4893036	1	PLUG	
7	LA323017450	1	GASKET	



Fendt

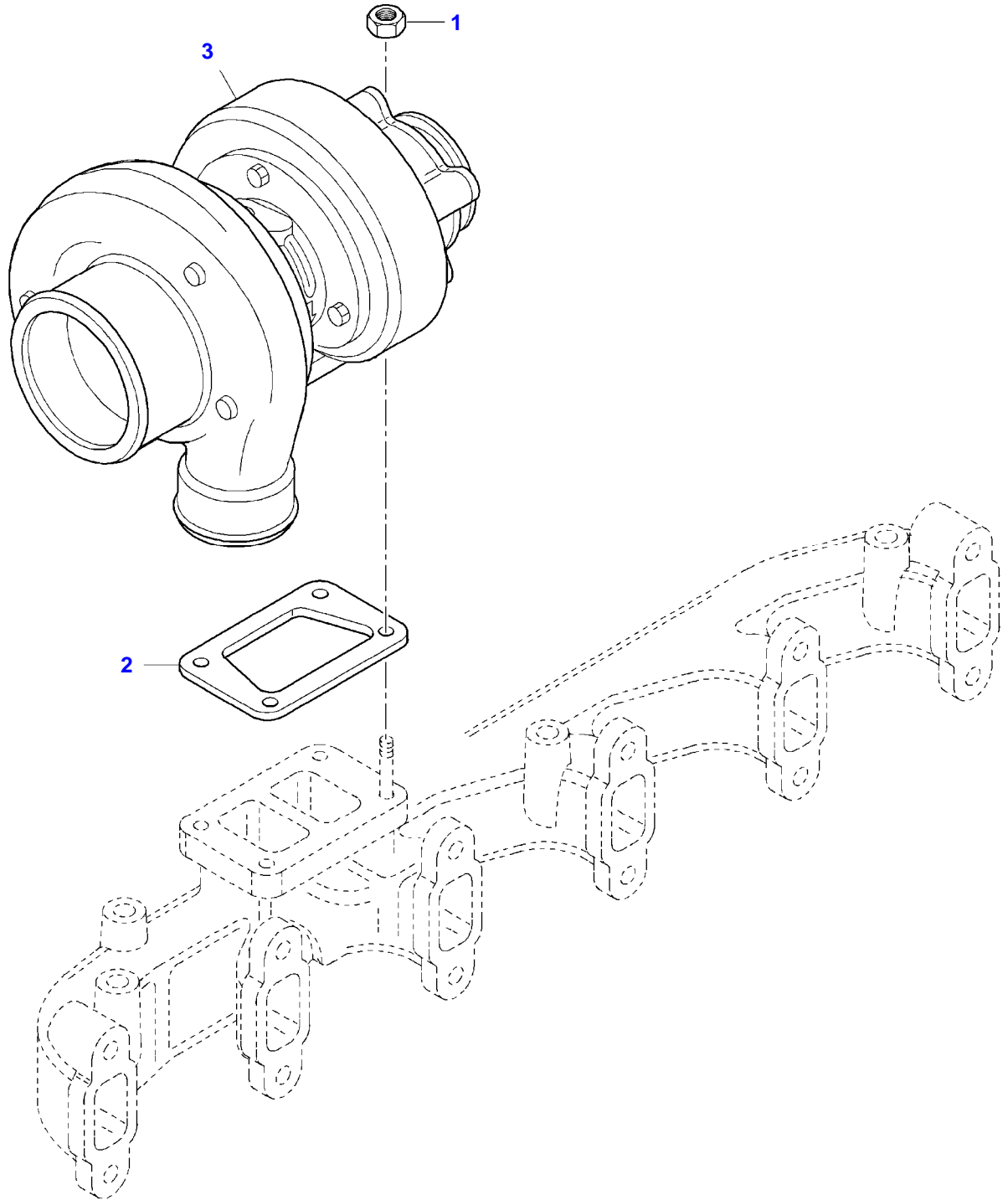
5180E COMBINE (551110001-492 / 551100001-492) (ZN205511K03000493-568)

3906256

EXHAUST MANIFOLD

Page01-0012

Item	Part Number	Qty	Description Comments	Technical Specification
1	LA504067220	1	EXHAUST MANIFOLD	
2	LA504081248	6	GASKET	
3	LA504085705	12	HEX CAP SCREW	M10 X 65 (1.5)
4	LA4899085	4	STUD BOLT	M10 (1.5)



---

Fendt

5180E COMBINE (551110001-492 / 551100001-492) (ZN205511K03000493-568)

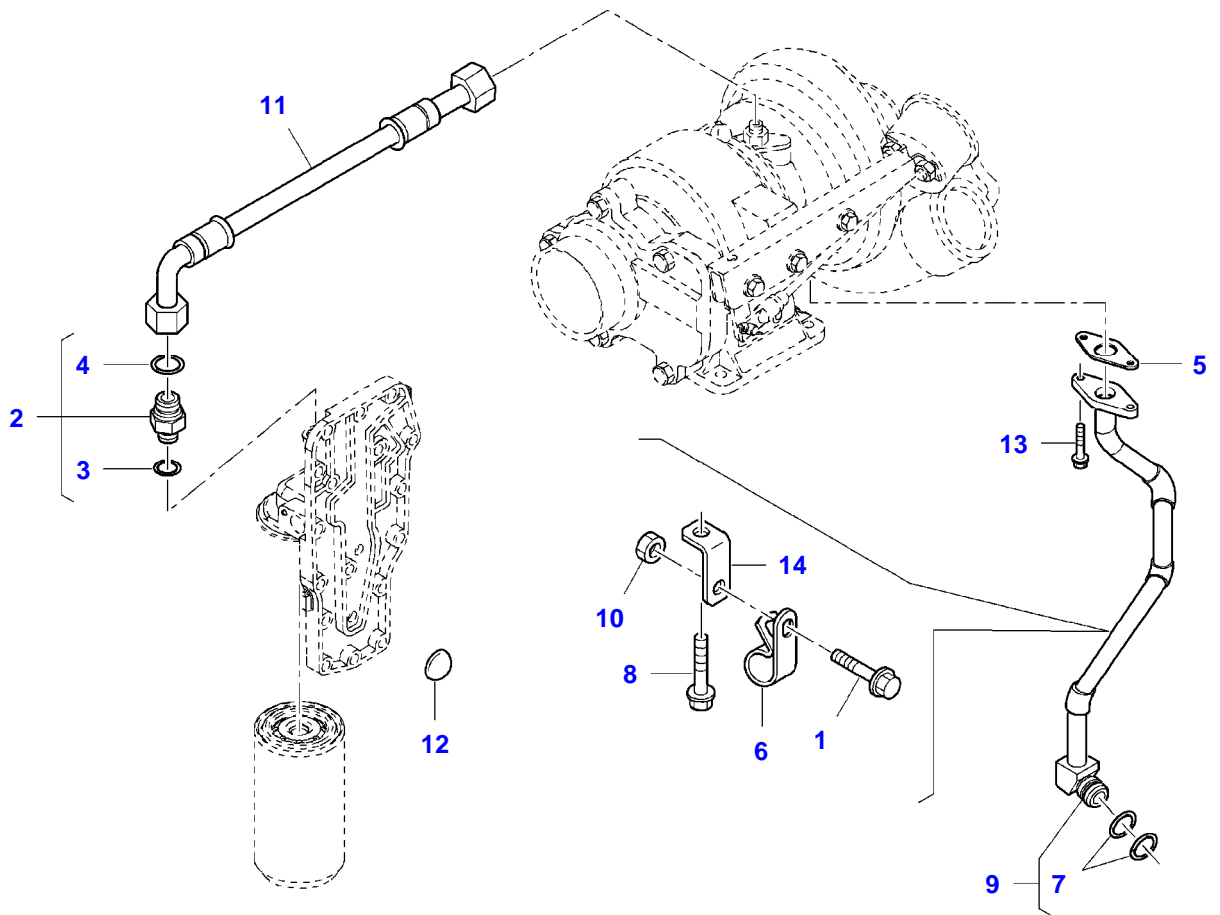
3906256

TURBOCHARGER

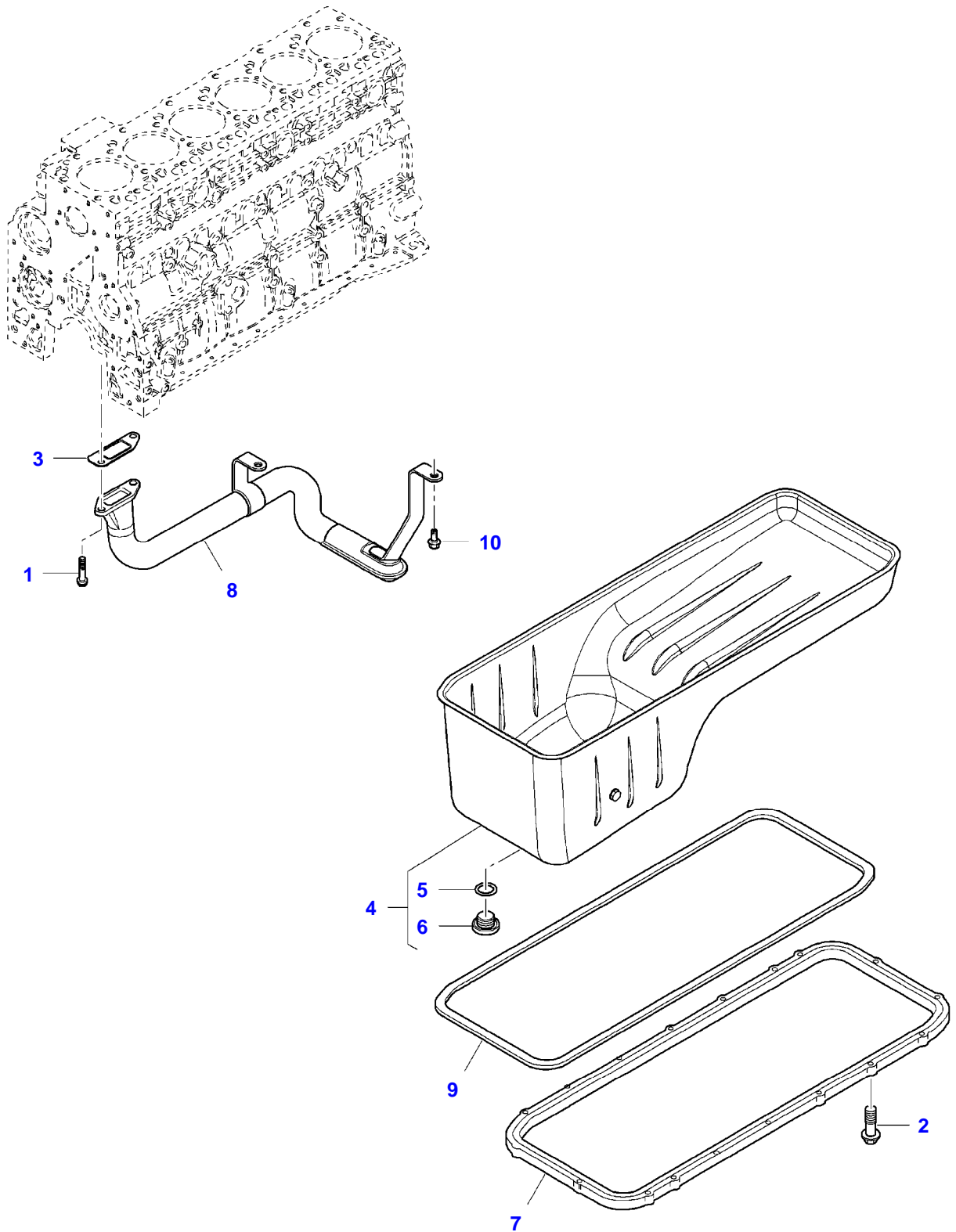
Page01-0013

---

Item	Part Number	Qty	Description Comments	Technical Specification
1	LA4899086	1	NUT	M10 (1.5)
2	LA4895132	1	GASKET	
3	LA504170937	1	TURBOCHARGER	



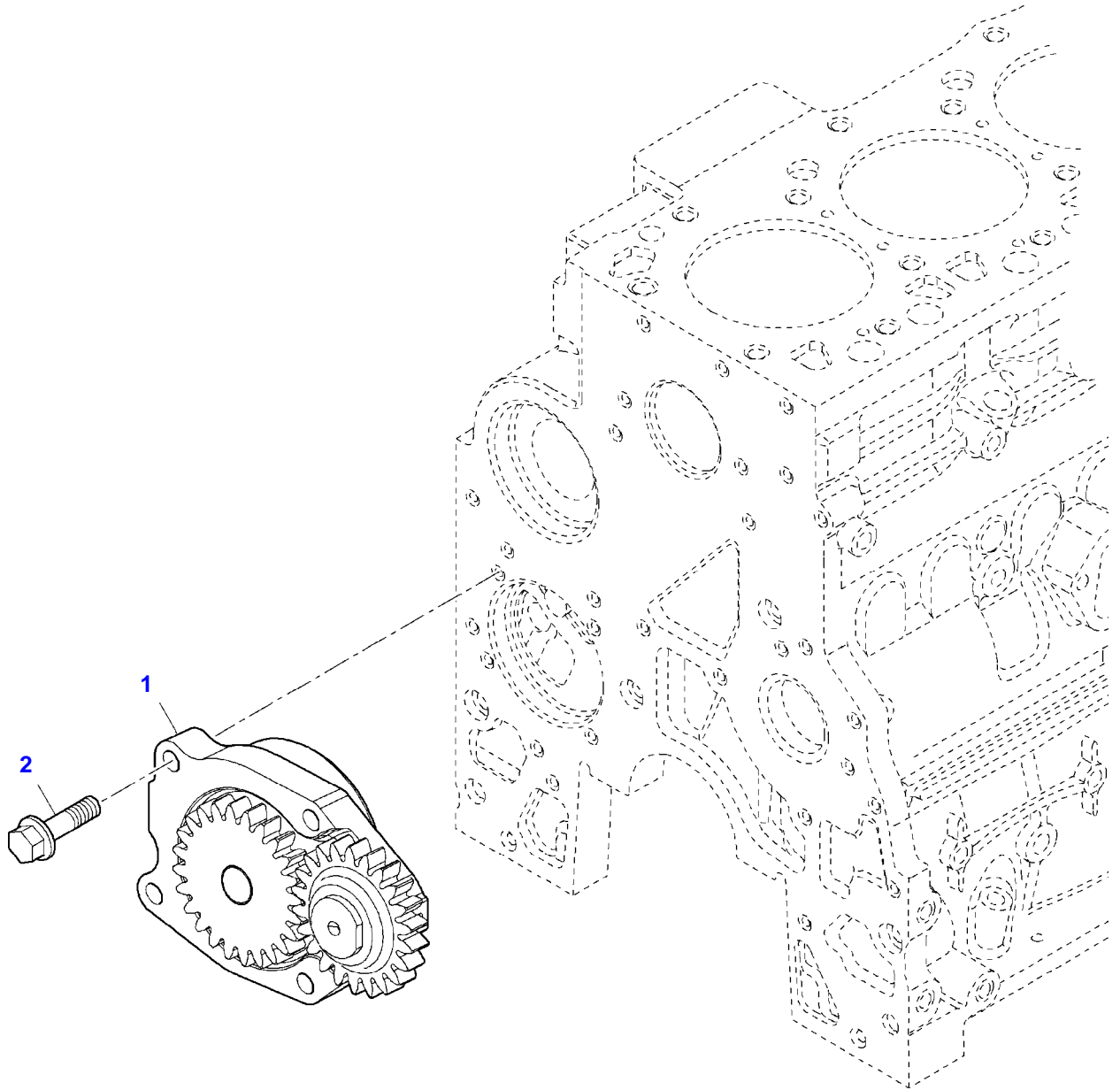
Item	Part Number	Qty	Description Comments	Technical Specification
1	LA18138325	1	HEX CAP SCREW	M8 X 16
2	LA4895107	1	UNION	
3	LA4899107	1	O RING	
4	LA4899108	1	O-RING	
5	LA4891288	1	GASKET	
6	LA4896893	1	COLLAR	
7	LA17281881	2	O-RING	Ø 17,12 X 2,62 MM
8	LA16677735	1	HEX CAP SCREW	M12 X 25
9	LA504019911	1	OIL PIPE	
10	LA17044921	1	NUT	M12
11	LA504084095	1	OIL PIPE	
12	LA4895089	1	PLUG	
13	LA4899031	2	HEX CAP SCREW	M8 X 25
14	LA98459285	1	STIRRUP	



**OIL SUMP**

---

<b>Item</b>	<b>Part Number</b>	<b>Qty</b>	<b>Description Comments</b>	<b>Technical Specification</b>
1	LA16673635	2	HEX CAP SCREW	M8 X 20 (1.25)
2	LA4899091	18	HEX CAP SCREW	
3	LA4898301	1	GASKET	
4	LA4898036	1	OIL PAN	
5	LA2830546	2	SEALING WASHER	
6	LA4895577	2	DRAIN PLUG	
7	LA4897858	1	SPACER	
8	LA504084493	1	OIL PIPE	
9	LA4897861	1	SEAL	
10	LA4895291	2	HEX CAP SCREW	M10 X 20 (1.5)



---

Fendt

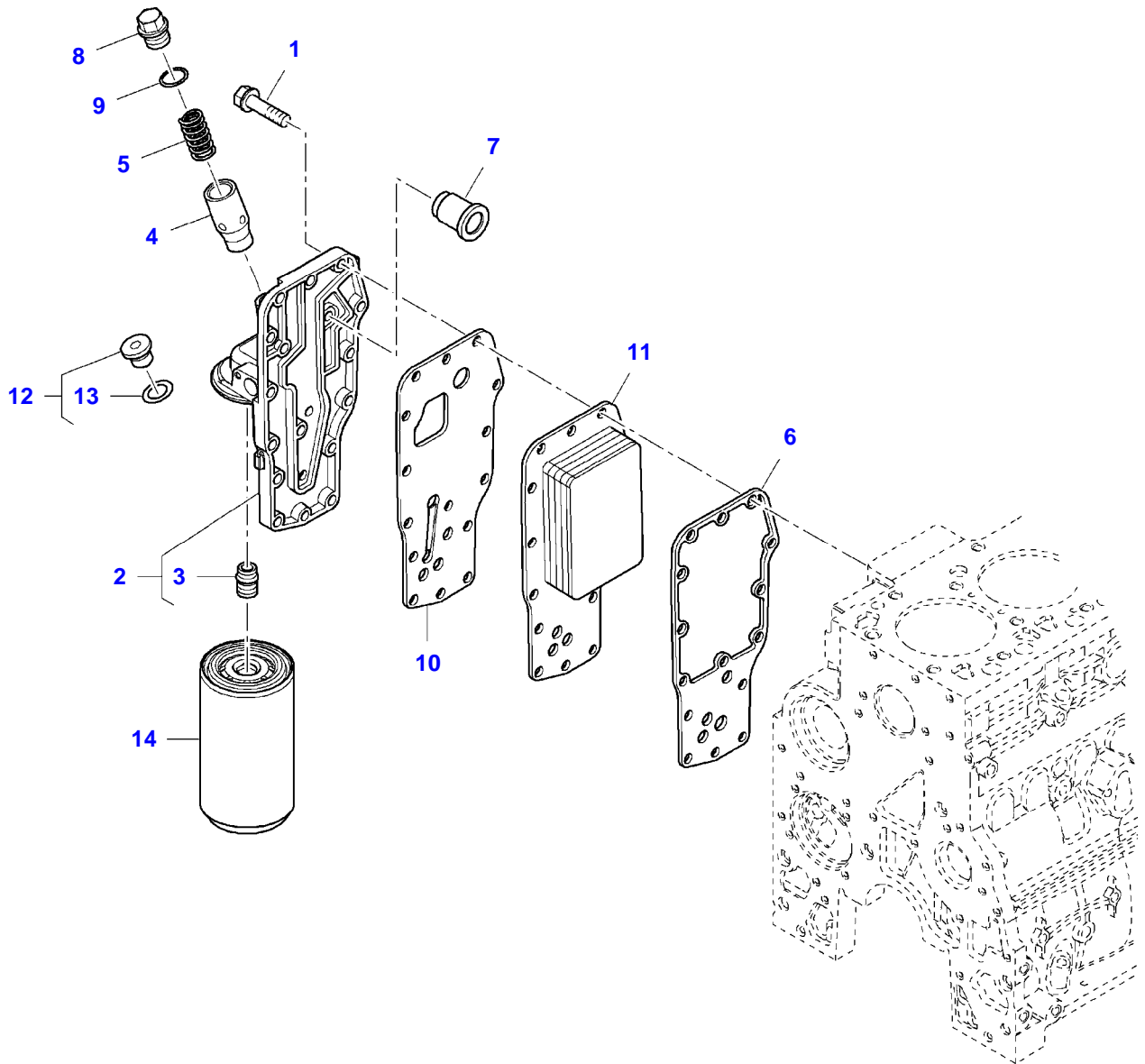
5180E COMBINE (551110001-492 / 551100001-492) (ZN205511K03000493-568)

3906256

OIL PUMP

Page01-0016

Item	Part Number	Qty	Description Comments
1	LA4897481	1	OIL PUMP
2	LA4899090	4	HEX CAP SCREW





**Suggest:**

**For more complete manuals. Please go to the home page.**

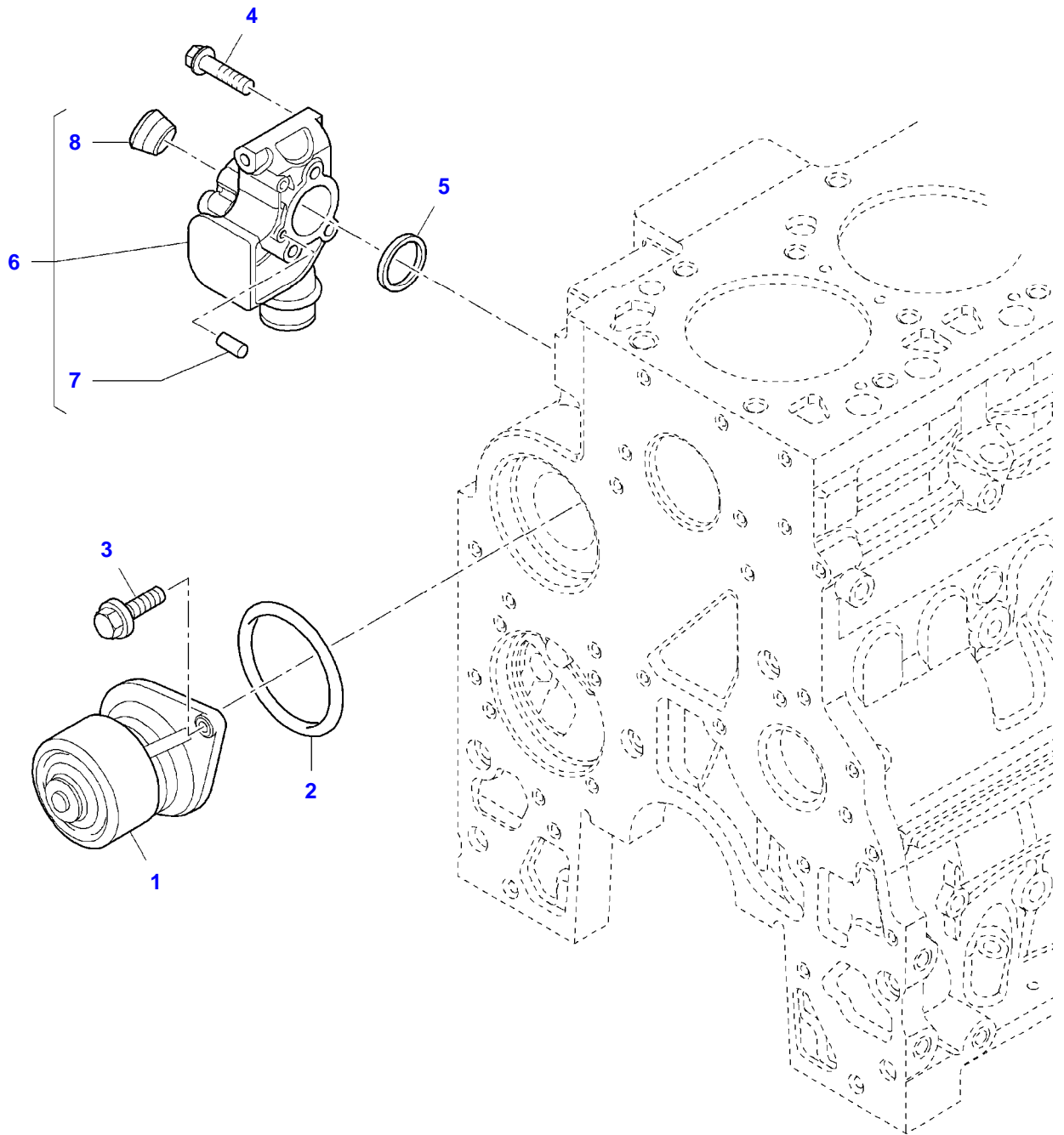
**<https://www.ebooklibonline.com>**

**If the above button click is invalid. Please download this document first, and then click the above link to download the complete manual.**

**Thank you so much for reading**

## OIL FILTER

Item	Part Number	Qty	Description Comments	Technical Specification
1	LA4899019	15	HEX CAP SCREW	M8 X 35
2	LA4899643	1	OIL COOLER	
3	LA4893391	1	UNION	
4	LA4896404	1	VALVE BODY	
5	LA4895045	1	SPRING	
6	LA2830559	1	GASKET	
7	LA4896410	1	VALVE	
8	LA4895043	1	PLUG	
			UP TO MACHINE S/N 155899	
9	LA4899035	1	O-RING	
			UP TO MACHINE S/N 155899	
10	LA4896409	1	GASKET	
11	LA504047629	1	OIL COOLER	
12	LA504096409	1	PLUG	
			FROM MACHINE S/N 155900	
13	LA17916280	1	O-RING	
			FROM MACHINE S/N 155900	
14	LA504074043	1	ELEMENT,OIL FILTER	



**<https://www.ebooklibonline.com>**

Hello dear friend!

Thank you very much for reading.

Enter the link into your browser.

The full manual is available for immediate download.

**<https://www.ebooklibonline.com>**