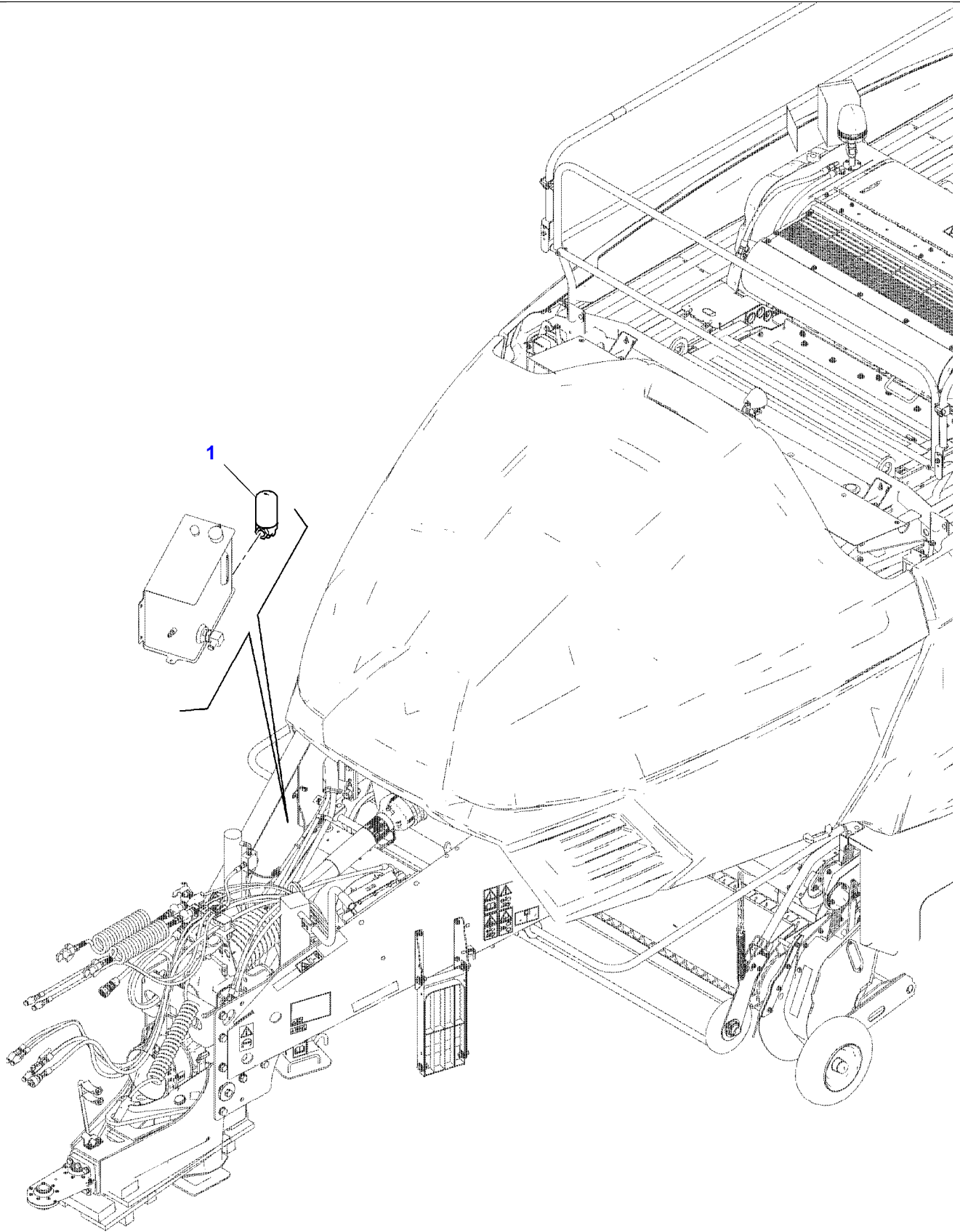


Page Number	Page Title	Page Reference
01-000-TOC	DRIVE SYSTEM	01-000-TOC
02-000-TOC	HYDRAULIC SYSTEM	02-000-TOC
03-000-TOC	ELECTRICAL SYSTEM	03-000-TOC
04-000-TOC	BALE FEEDING SYSTEM	04-000-TOC
05-000-TOC	BALE FORMING SYSTEM	05-000-TOC
06-000-TOC	BALE KNOTTING SYSTEM	06-000-TOC
07-000-TOC	BALE EJECTING SYSTEM	07-000-TOC
08-000-TOC	CHASSIS	08-000-TOC
09-000-TOC	DECALS	09-000-TOC
10-000-TOC	AXLES, SPINDLES, AND WHEELS	10-000-TOC
11-000-TOC	BRAKE SYSTEM	11-000-TOC
12-000-TOC	ACCESSORIES	12-000-TOC

DRIVE SYSTEM

Page Number	Page Title	Page Reference
01-0001	FILTER	2428837
01-0002	MAIN DRIVE	2428886
01-0003	SECONDARY DRIVE SHAFT	2429229
01-0004	PRIMARY DRIVE SHAFT - CE 1-3/4 INCH X 20 SPLINE WEASLER	2450639
01-0005	MOUNTING - GEARBOX	2429429
01-0006	MOUNTING - FLYWHEEL	2429553
01-0007	CLUTCH - FLYWHEEL	2429619
01-0008	BRAKE - FLYWHEEL	2430067
01-0009	AUXILIARY DRIVE - LEFT HAND	2430837
01-0010	AUXILIARY DRIVE - RIGHT HAND	2431892
01-0011	AUXILIARY DRIVE - RIGHT HAND CUTTER	2558783
01-0012	SHAFT AND SPROCKET - AUXILIARY	2431517
01-0013	SLIP CLUTCH - AUXILIARY	2432271
01-0014	DRIVE - CUTTER	2558784
01-0015	CLUTCH - CUTTER	2558785
01-0016	MOUNTING - GEARBOX CUTTER	2558786
01-0017	CHAIN LUBE - PACKER	2450831
01-0018	PUMP - CHAIN LUBE	2432324
01-0019	CHAIN LUBE - CUTTER	2558787

1290N / 1290S UD LARGE RECTANGULAR BALER
23058134-H-1



<https://www.ebooklibonline.com>

Hello dear friend!

Thank you very much for reading.

Enter the link into your browser.

The full manual is available for immediate download.

<https://www.ebooklibonline.com>

Fendt

1290N / 1290S UD LARGE RECTANGULAR BALER

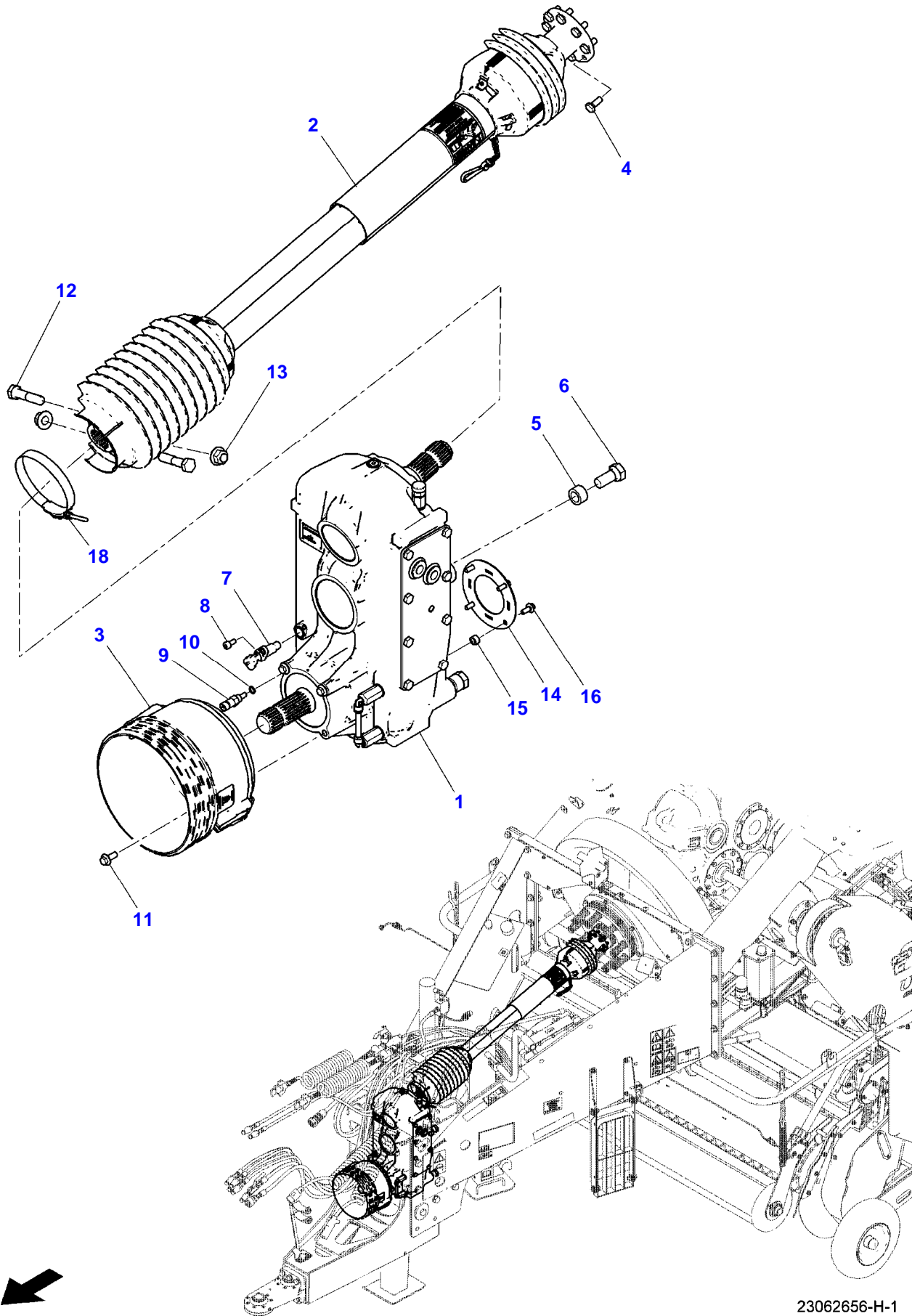
652353

FILTER

Page01-0001

Item	Part Number	Qty	Description Comments
1	700738685	1	FILTER
	700738686	1	FILTER ELEMENT

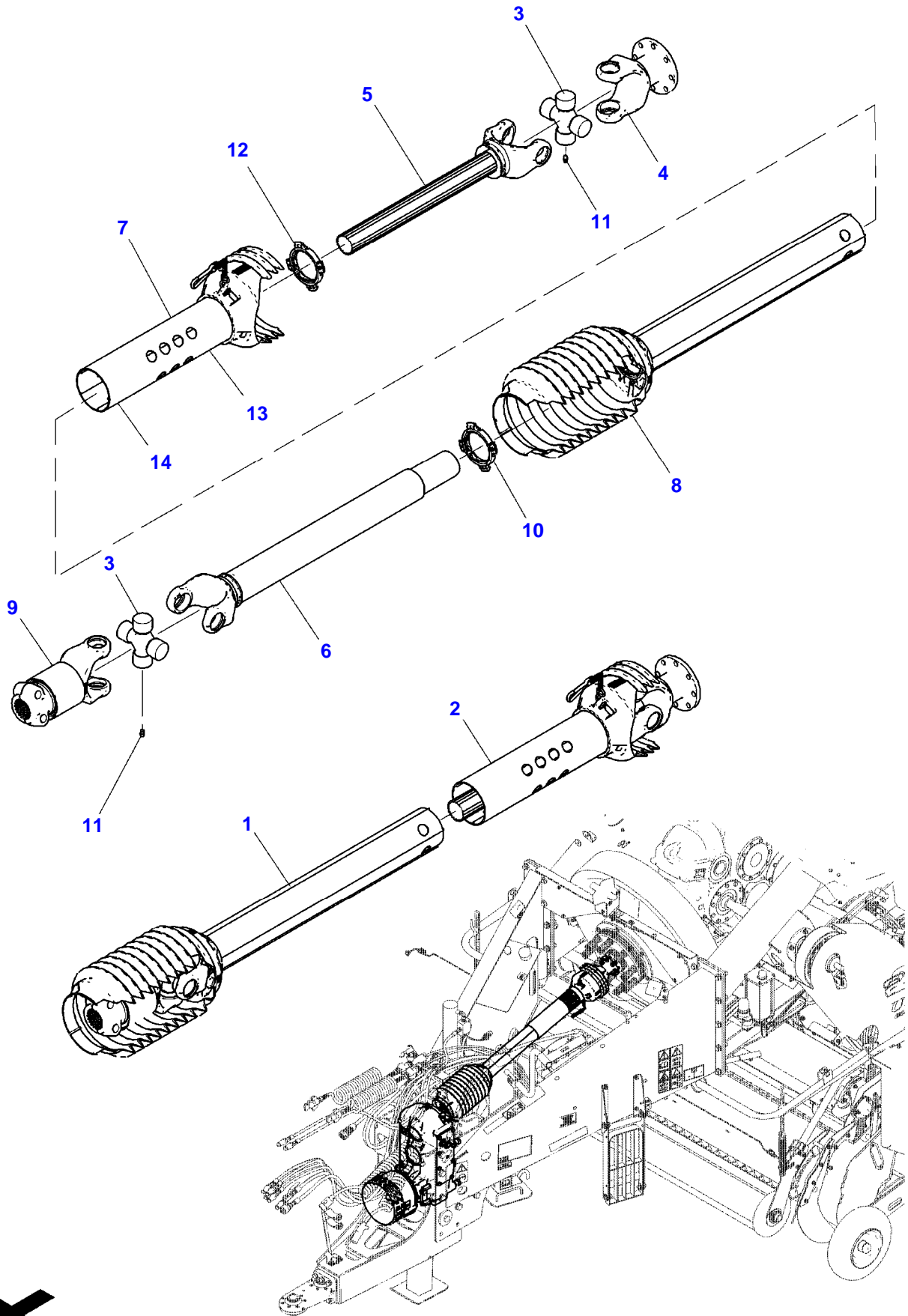
1290N / 1290S UD LARGE RECTANGULAR BALER
23062656-H-1



23062656-H-1

Item	Part Number	Qty	Description Comments	Technical Specification
1	700741190	1	GEARBOX	
2		1	SEE PAGE 01-0003	
3	700744198	1	CONE SHIELD	
4	ACW1045090	8	HEXAGONAL BOLT	DIN933 M10X1.5X25-10 FLZN1
5	700169683	4	SPACER	
6	ACW1044700	4	HEXAGONAL BOLT	ISO4017 M20X2.5X45-8 FLZN1
7	ACW053089A	1	SPEED SENSOR	90D
8	3009285X1	1	HEX SOCKET HEAD CAPSCREW	M8 X 16 (1.25) ISO 10.9 ZN
9	5015257M1	1	TEMPERATURE SENSOR.	
10	7040330	1	O-RING	0.414" X .072"
11	3009206X1	3	HEXAGON FLANGE BOLT	M10 X 25 (1.5) ISO 10.9 ZN
12	ACW1147980	2	HEXAGONAL BOLT	ISO4014 M16X2X75-10 FLZN1
13	ACW1027170	2	HEX FLANGE TOP LOCK NUT	ISO7044 M16X2-8 FLZN1
14	700188846	1	PLATE	
15	700145163	4	SPACER	16MM OD X 9MM W
16	3012152X1	4	HEXAGON FLANGE BOLT	M8 X 20 (1.25) ISO 8.8 ZN
18	71441560	1	T-BOLT CLAMP	5-1/4" ID

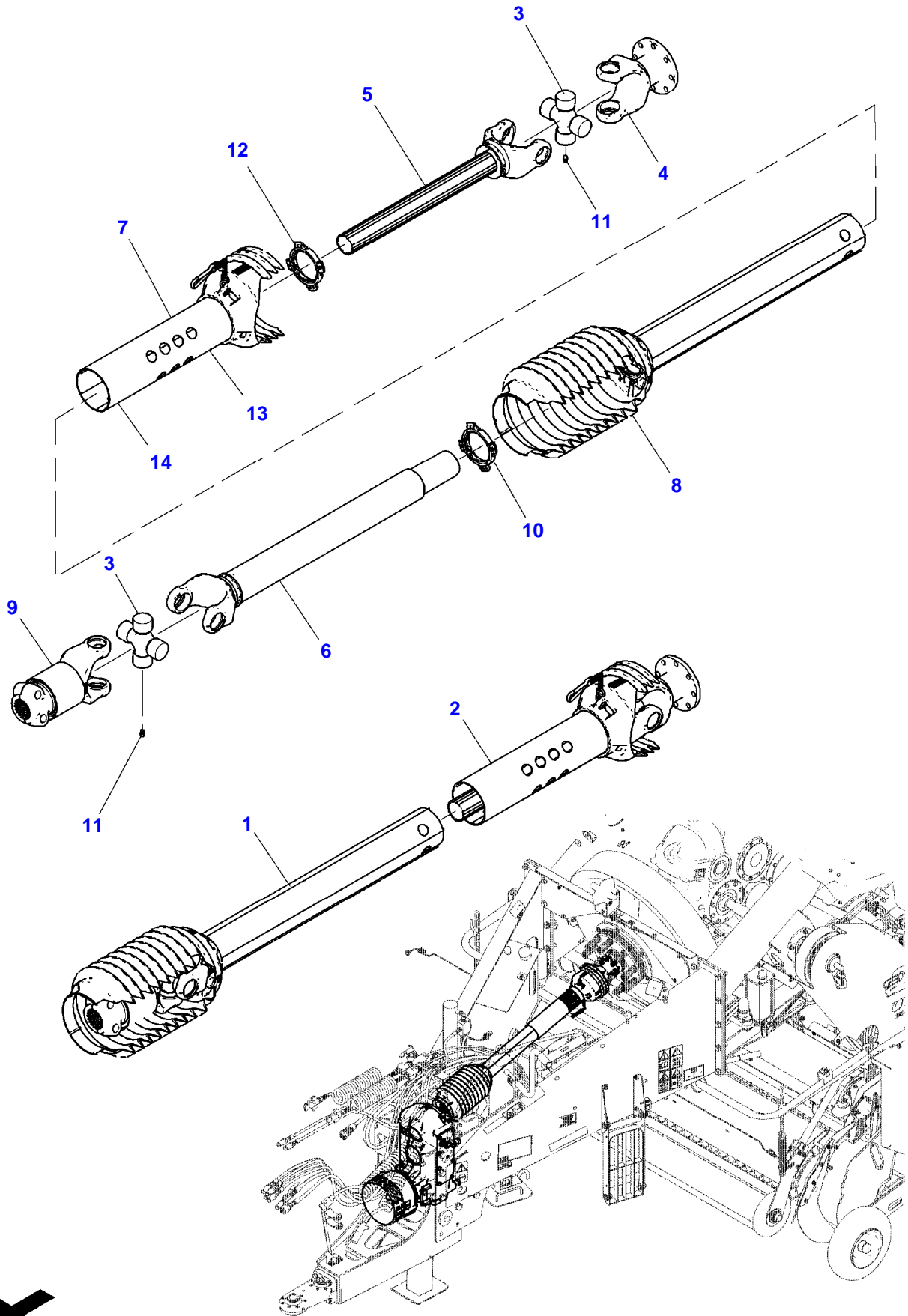
1290N / 1290S UD LARGE RECTANGULAR BALER
23071328-H-1



23071328-H-1

Item	Part Number	Qty	Description Comments	Technical Specification
1	700741193	1	YOKE TUBE	
2	700741192	1	YOKE SHAFT	
3	700724136	2	CROSS AND BEARING KIT	39MM DIA CAP, 109MM OL
4	700741194	1	YOKE	
5	700741195	1	YOKE SHAFT	
6	700741196	1	YOKE TUBE	
7	700741197	1	OUTER GUARD	
8	700741198	1	INNER GUARD	
9	700741199	1	OVERRUNNING CLUTCH YOKE	
10	700737798	1	GUARD REPAIR KIT	
11	70923219	2	GREASE FITTING	1/4"-28
12	700722475	1	BEARING KIT	NYLON
13	700747135	1	DANGER DECAL, ROTATING DRIVELINE	134MM X 95MM
14	700746100	1	WARNING DECAL	

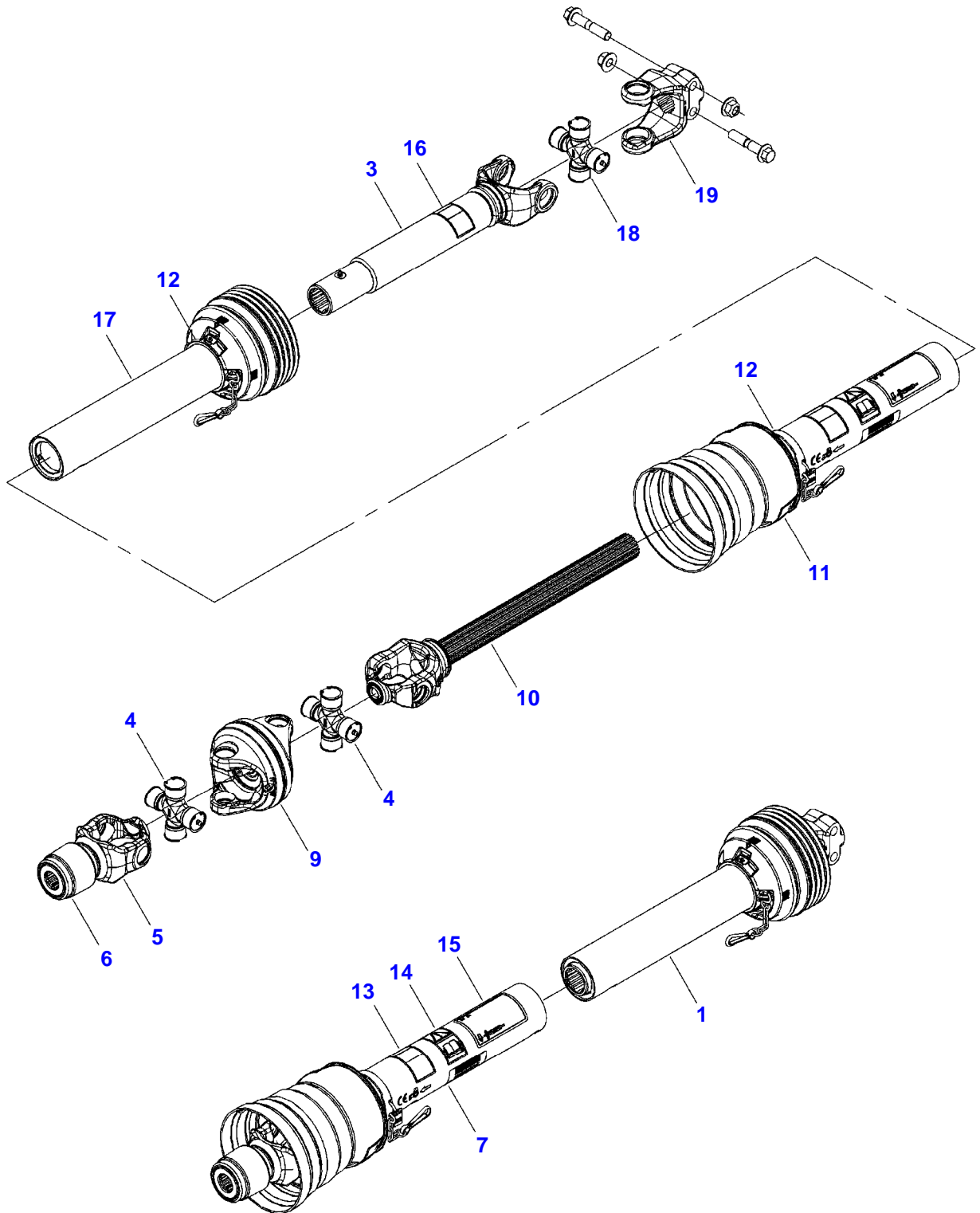
1290N / 1290S UD LARGE RECTANGULAR BALER
23071328-H-1



23071328-H-1

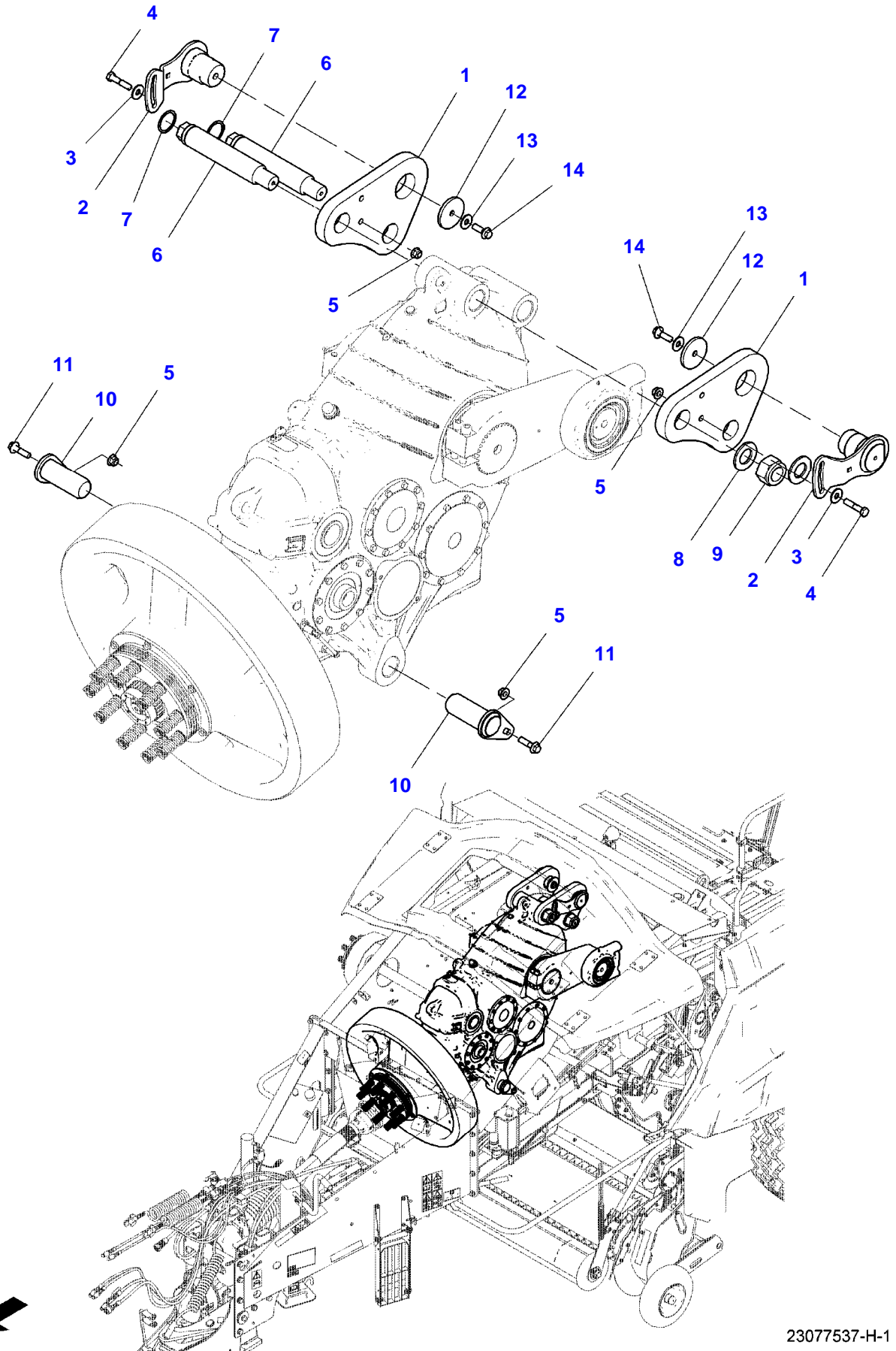
Item	Part Number	Qty	Description Comments	Technical Specification
1	700741193	1	YOKE TUBE	
2	700741192	1	YOKE SHAFT	
3	700724136	2	CROSS AND BEARING KIT	39MM DIA CAP, 109MM OL
4	700741194	1	YOKE	
5	700741195	1	YOKE SHAFT	
6	700741196	1	YOKE TUBE	
7	700741197	1	OUTER GUARD	
8	700741198	1	INNER GUARD	
9	700741199	1	OVERRUNNING CLUTCH YOKE	
10	700737798	1	GUARD REPAIR KIT	
11	70923219	2	GREASE FITTING	1/4"-28
12	700722475	1	BEARING KIT	NYLON
13	700747135	1	DANGER DECAL, ROTATING DRIVELINE	134MM X 95MM
14	700746100	1	WARNING DECAL	

1290N / 1290S UD LARGE RECTANGULAR BALER
20153559-H-1



Item	Part Number	Qty	Description Comments	Technical Specification
			1-3/4 INCH X 20 SPLINE WEASLER	
1	700742395	1	PTO HALF SHAFT	1-3/4-20 SPLINE
3	700742403	1	YOKE TUBE	
4	700742398	2	CROSS PIECE	
5	700742396	1	YOKE	
6	700711425	1	REPAIR KIT	1-3/4" X 20 SPLINE
7	700742393	1	PTO HALF SHAFT	1-3/4-20 SPLINE
9	700736299	1	CONSTANT VELOCITY HOUSING	CENTER
10	700742399	1	YOKE AND SHAFT	
11	700742400	1	OUTER GUARD	
12	700723268	1	GUARD BUSHING KIT	NYLON
13	700747135	1	DANGER DECAL, ROTATING DRIVELINE	134MM X 95MM
14	700736303	1	WARNING DECAL, CE	CE
15	700742401	1	DECAL, LUBE	
16	700747136	1	DANGER DECAL, SHIELD MISSING	127MM X 87MM
17	700742402	1	INNER GUARD	
18	700724136	1	CROSS AND BEARING KIT	39MM DIA CAP, 109MM OL
19	700736740	1	YOKE	1-3/4", 20 SPLINE

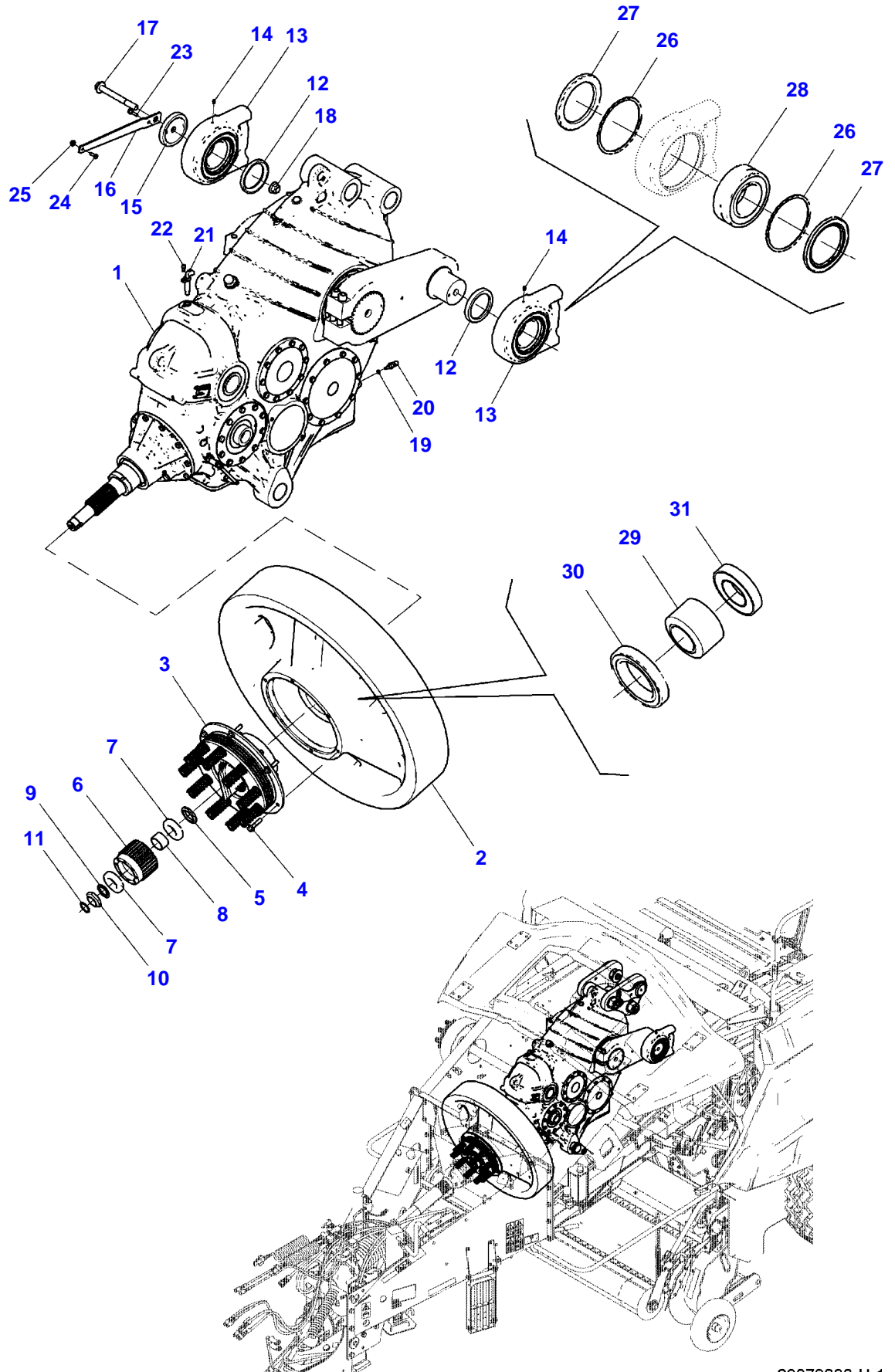
1290N / 1290S UD LARGE RECTANGULAR BALER
23077537-H-1



23077537-H-1

Item	Part Number	Qty	Description Comments	Technical Specification
1	700200230	2	MOUNTING PLATE	
2	700200471	2	PLATED PIN	
3	3019565X1	2	FLAT WASHER	M16 ZN
4	ACW1147980	2	HEXAGONAL BOLT	ISO4014 M16X2X75-10 FLZN1
5	ACW1027170	4	HEX FLANGE TOP LOCK NUT	ISO7044 M16X2-8 FLZN1
6	700200470	2	PLATED PIN	
7	AG520005	2	RETAINING RING	2-1/2"
8	700200469	2	SPECIAL WASHER	
9	ACW1040080	1	HEX TOP LOCK NUT	DIN985 M48X3-8 FLZN1
10	700200466	2	PLATED PIN	
11	ACW1041050	2	HEX FLANGE HEAD MACHINE SCREW	DIN6921 M16X2X60-10 FLZN1
12	700190473	2	PLATE	
13	700711165	2	FLAT WASHER	5/8"
14	ACW1041040	2	HEX FLANGE HEAD MACHINE SCREW	DIN6921 M16X2X50-10 FLZN1

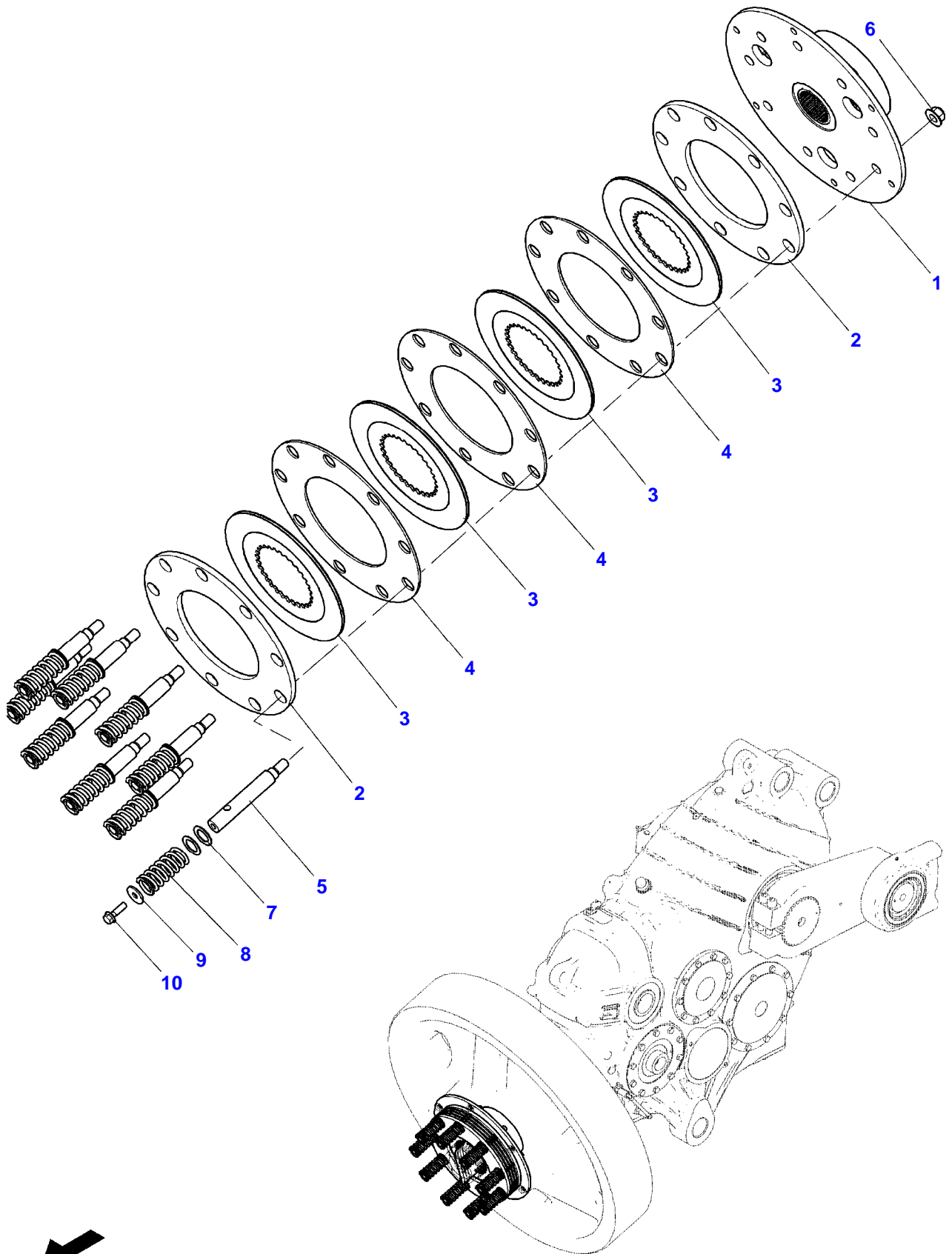
1290N / 1290S UD LARGE RECTANGULAR BALER
23079296-H-1



23079296-H-1

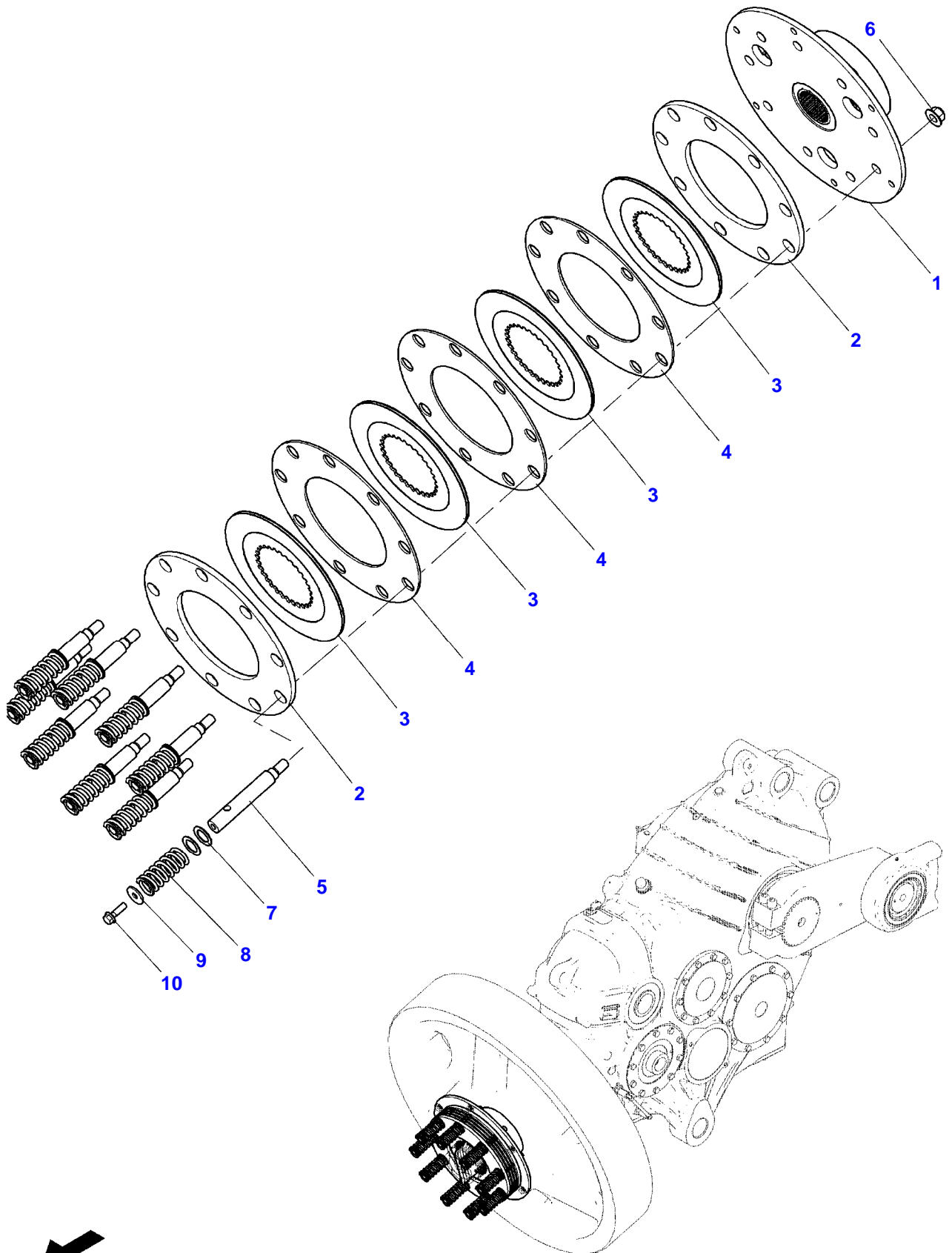
Item	Part Number	Qty	Description Comments	Technical Specification
1	700741200	1	GEARBOX	
	ACP0438820	1	SHAFT SEAL	
			OUTPUT SHAFT	
	ACP0438830	1	SHAFT SEAL	
			INPUT SHAFT	
	ACP0438840	1	SHAFT SEAL	
			UPPER	
	ACP0438850	1	SHAFT SEAL	
			LOWER	
2	700188799	1	FLYWHEEL	
3		1		
			SEE PAGE 01-0007	
4	ACW1040950	6	HEX FLANGE HEAD MACHINE SCREW	DIN6921 M12X1.75X50-10 FLZN1
5	700200075	1	SPACER	
6	700188802	1	COLLAR	
7	339601X1	2	BEAR. 6209 2RS	
8	700188803	1	PLATED SPACER	
9	700200076	1	WASHER	
10	700113661	1	NUT	
11	1003115M1	1	EXTERNAL RETAINING RING	S.D.: 1.500" - PH
12	700200465	2	PLATED SPACER	
13	700200073	2	BEARING ASSY	
14	70923219	2	GREASE FITTING	1/4"-28
15	700200464	1	PLATED SPACER	
16	700201795	1	ACTUATOR ARM	
17	3009268X1	1	HEXAGON FLANGE BOLT	M20 X 180 (2.5) ISO 10.9 ZN
18	ACW1027180	1	HEX FLANGE TOP LOCK NUT	ISO7044 M20X2.5-8 FLZN1
19	7040330	1	O-RING	0.414" X .072"
20	5015257M1	1	TEMPERATURE SENSOR.	
21	700742077	1	SPEED SENSOR	90D
22	ACW1047310	1	SOCKET HEAD SETSCREW	ISO4762 M8X1.25X16-10 FLZN1
23	ACW1041230	1	HEX FLANGE HEAD MACHINE SCREW	DIN6921 M8X1.25X30-8 FLZN1
24	ACW1044860	1	HEXAGONAL BOLT	ISO4017 M8X1.25X25-8 FLZN1
25	ACW1023930	1	HEX FLANGE NUT	EN1661 M8X1.25-10 FLZN1
26	700741129	2	RETAINING RING	
27	700741128	2	OIL SEAL	
28	700741127	1	SPHERICAL BEARING	
29	700201860	1	PLATED SPACER	
30	700741805	1	CYLINDRICAL BEARING	
31	700741189	1	CYLINDRICAL BEARING	

1290N / 1290S UD LARGE RECTANGULAR BALER
23080369-H-1



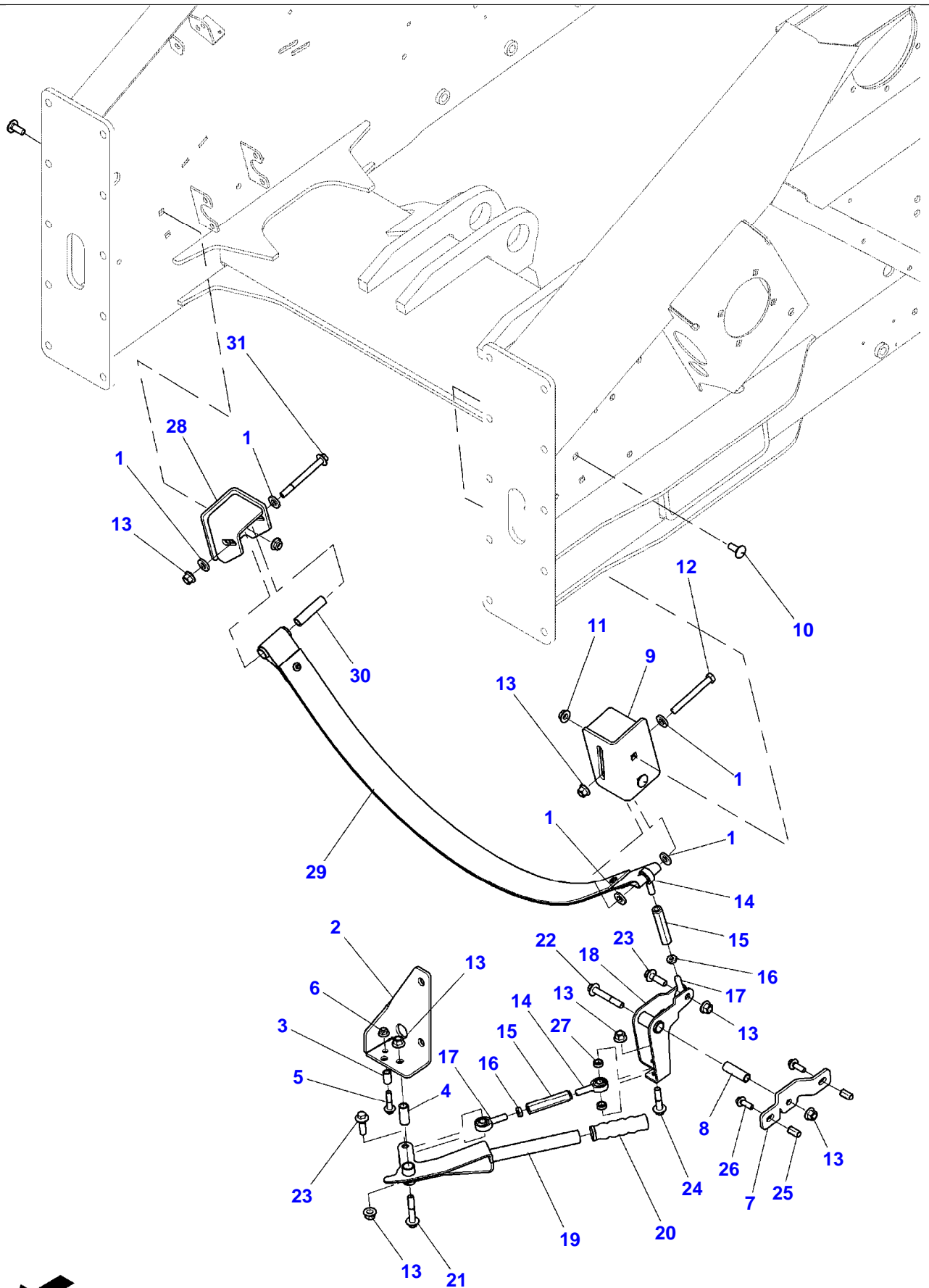
Item	Part Number	Qty	Description Comments	Technical Specification
1	700741170	1	CLUTCH	
2	700188808	2	CLUTCH PLATE	
3	700188811	4	FRICTION DISC	
4	700188812	3	CLUTCH PLATE	
5	700217249	9	GUIDE PIN	
6	ACW1027170	9	HEX FLANGE TOP LOCK NUT	ISO7044 M16X2-8 FLZN1
7	700717646	18	FLAT WASHER	1-1/32" X 1-9/16" X 1/16"
8	700737491	9	SPRING	
9	700717622	9	FLAT WASHER	10MM X 35MM
10	ACW1040800	9	HEX FLANGE HEAD MACHINE SCREW	DIN6921 M10X1.5X35-10 FLZN1

1290N / 1290S UD LARGE RECTANGULAR BALER
23080369-H-1



Item	Part Number	Qty	Description Comments	Technical Specification
1	700741170	1	CLUTCH	
2	700188808	2	CLUTCH PLATE	
3	700188811	4	FRICTION DISC	
4	700188812	3	CLUTCH PLATE	
5	700217249	9	GUIDE PIN	
6	ACW1027170	9	HEX FLANGE TOP LOCK NUT	ISO7044 M16X2-8 FLZN1
7	700717646	18	FLAT WASHER	1-1/32" X 1-9/16" X 1/16"
8	700737491	9	SPRING	
9	700717622	9	FLAT WASHER	10MM X 35MM
10	ACW1040800	9	HEX FLANGE HEAD MACHINE SCREW	DIN6921 M10X1.5X35-10 FLZN1

1290N / 1290S UD LARGE RECTANGULAR BALER
23091066-H-1



Item	Part Number	Qty	Description Comments	Technical Specification
1	71432183	5	WASHER	M12 - 1/2
2	700202460	1	ANGLE	
3	700145745	1	BUSH	16MM OD X 25MM OL X 2.77MM WT
4	700202461	1	BUSH	
5	KG00474661	1	BOLT	M10-1.5 X 45MM CL8.8
6	5000029X1	1	HEX FLANGE LOCKNUT	M10 (1.5) ISO 8
7	700202462	1	SUPPORT	
8	700101751P	1	SPACER	
9	700201631	1	SUPPORT	
10	385390X1	4	ROUND HEAD SQUARE NECK CARRIAGE BOLT	M12 X 30 (1.75) ISO 8.8 ZN
11	3019126X1	4	HEX FLANGE NUT	M12 (1.75) ISO 10 ZN
12	391904X1	1	HEXAGONAL HEAD BOLT	M12 X 100 (1.75) ISO 10.9 ZN
13	5000030X1	7	HEX FLANGE LOCKNUT	M12 (1.75) ISO 8
14	700741116	2	ROD END, LEFT HAND	MALE, M12
15	700200785	2	HEX ROD	
16	3009696X1	2	HEX NUT	M12 (1.5) ISO 4 ZN
17	700741115	2	ROD END, RIGHT HAND	MALE, M12
18	700201634	1	PIVOT	
19	700202470	1	BRAKE LEVER	
20	27342	1	HANDLE GRIP	
21	3009227X1	1	HEXAGON FLANGE BOLT	M12 X 65 (1.75) ISO 10.9 ZN
22	3009229X1	1	HEXAGON FLANGE BOLT	M12 X 80 (1.75) ISO 10.9 ZN
23	3009222X1	2	HEXAGON FLANGE BOLT	M12 X 40 (1.75) ISO 10.9 ZN
24	3009225X1	1	HEXAGON FLANGE BOLT	M12 X 55 (1.75) ISO 10.9 ZN
25	350339321	2	BLIND RIVET NUT	HRIV M10 T 3-6 ST OP ZN8K+
26	3009207X1	2	HEXAGON FLANGE BOLT	M10 X 30 (1.5) ISO 10.9 ZN
27	71448146	2	BUSH	
28	700200835	1	SUPPORT	
29	700200832	1	BRAKE	
30	6524003	1	SPACER	19MM OD X 76M OL
31	3012193X1	1	HEXAGON FLANGE BOLT	M12 X 120 (1.75) ISO 8.8 ZN



Suggest:

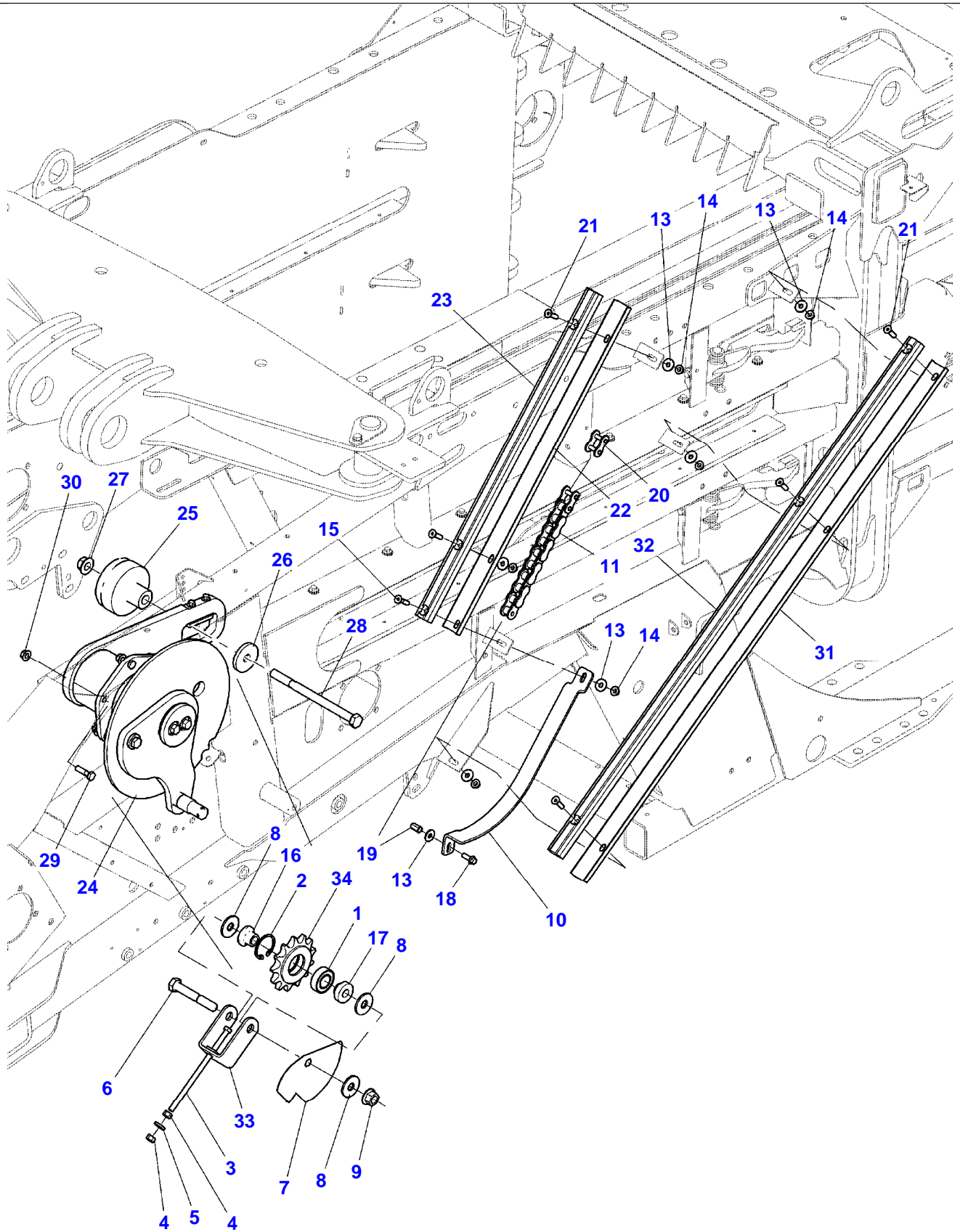
For more complete manuals. Please go to the home page.

<https://www.ebooklibonline.com>

If the above button click is invalid. Please download this document first, and then click the above link to download the complete manual.

Thank you so much for reading

1290N / 1290S UD LARGE RECTANGULAR BALER
23104032-H-1



Item	Part Number	Qty	Description Comments	Technical Specification
1	K3538	1	BALL BEARING	1-1/4
2	1440479X1	1	INTERNAL RETAINING RING	Ø 62 MM PL
3	5000035X1	1	HEXAGONAL HEAD BOLT	M12 X 240 (1.75) ISO 8.8 ZN
4	ACW1026890	2	HEX NUT	ISO4032 M12X1.75-8 FLZN1
5	71432183	1	WASHER	M12 - 1/2
6	ACW1045070	1	HEXAGONAL BOLT	ISO4014 M20X2.5X130-10 FLZN1
7	700174796	1	IDLER SHIELD	
8	700711166	3	FLAT WASHER	3/4"
9	ACW1023970	1	HEX FLANGE NUT	EN1661 M20X2.5-10 FLZN1
10	700200457	1	SPORCKET CHAIN GUIDE	
11	700741298	1	ROLLER CHAIN	#100HS, 219P
13	700702916	7	FLAT WASHER	3/8"
14	ACW1027150	6	HEX NUT	ISO7044 M10X1.5-8 FLZN1
15	ACW1042060	1	SLOTTED FLAT COUNTERSUNK MACHINE SCREW	DIN7991 M10X1.5X45-10 FLZN1
16	700201625	1	PLATED SPACER	
17	700201626	1	PLATED SPACER	
18	ACW1040790	1	HEXAGON FLANGE BOLT	DIN6921 M10X1.5X30-10 FLZN1
19	350339321	1	BLIND RIVET NUT	HRIV M10 T 3-6 ST OP ZN8K+
20	700741299	1	CONNECTOR LINK	
21	ACW1042050	5	SLOTTED FLAT COUNTERSUNK MACHINE SCREW	DIN7991 M10X1.5X40-10 FLZN1
22	700145105	1	CHAIN GUIDE SUPPORT	
23	700201940	1	CHAIN GUIDE	#100 900MM
24	700200430	1	SHAFT SEE PAGE 01-0012	SPKT
25	700200444	1	BUSH	
26	700202451	1	CAP PLATE	
27	ACW1027180	1	HEX FLANGE TOP LOCK NUT	ISO7044 M20X2.5-8 FLZN1
28	ACW1044710	1	HEXAGONAL BOLT	ISO4014 M20X2.5X280-8 FLZN1
29	ACW1044760	6	HEXAGONAL BOLT	DIN931 M12X1.75X45-8 FLZN1
30	ACW1027160	6	HEX FLANGE TOP LOCK NUT	ISO7044 M12X1.75-8 FLZN1
31	700202452	1	GUIDE SUPPORT	1540MM
32	700741795	1	CHAIN GUIDE	#100 1540MM
33	700200997	1	CLEVIS	
34	700741972	1	SPROCKET	

<https://www.ebooklibonline.com>

Hello dear friend!

Thank you very much for reading.

Enter the link into your browser.

The full manual is available for immediate download.

<https://www.ebooklibonline.com>