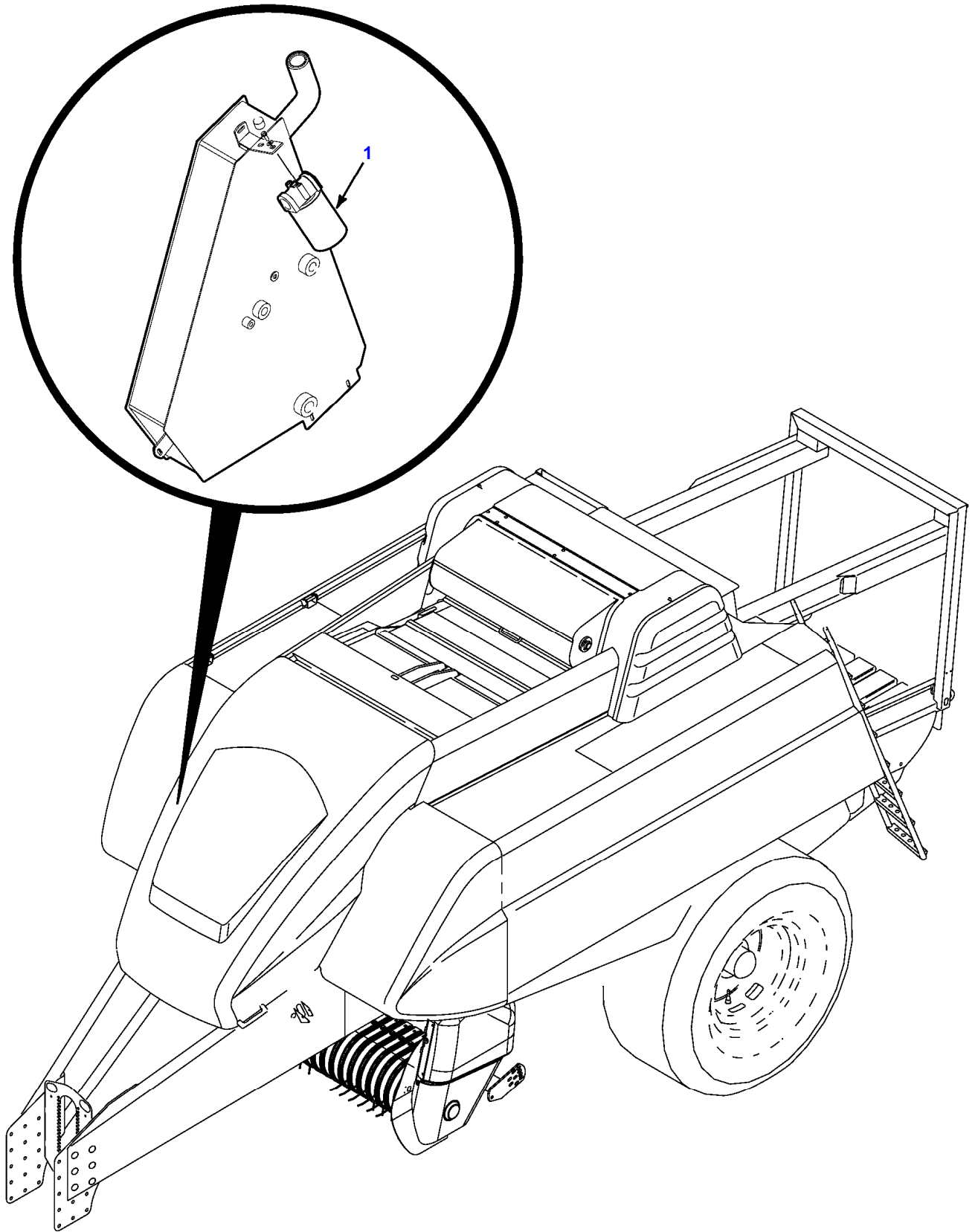


Page Number	Page Title	Page Reference
01-000-TOC	DRIVE SYSTEM	01-000-TOC
02-000-TOC	HYDRAULIC SYSTEM	02-000-TOC
03-000-TOC	ELECTRICAL SYSTEM	03-000-TOC
04-000-TOC	BALE FEEDING SYSTEM	04-000-TOC
05-000-TOC	BALE FORMING SYSTEM	05-000-TOC
06-000-TOC	BALE KNOTTING SYSTEM	06-000-TOC
07-000-TOC	BALE EJECTING SYSTEM	07-000-TOC
08-000-TOC	CHASSIS	08-000-TOC
09-000-TOC	DECALS	09-000-TOC
10-000-TOC	AXLES, SPINDLES, AND WHEELS	10-000-TOC
11-000-TOC	BRAKE SYSTEM	11-000-TOC
12-000-TOC	ACCESSORIES	12-000-TOC

DRIVE SYSTEM

Page Number	Page Title	Page Reference
01-001	FILTER	256957
01-002	MAIN DRIVE - NON-XD	T12B09I26D0002
01-003	MAIN DRIVE - XD	T12B09I26D0003
01-004	CLUTCH - FLYWHEEL - NON-XD	T12B09I26D0004
01-005	CLUTCH - FLYWHEEL - XD	T12B09I26D0005
01-006	DRIVE SHAFT	T12B09I26D0006
01-007	SECONDARY DRIVE SHAFT - NON-XD	T12B09I26D0007
01-008	SECONDARY DRIVE SHAFT - XD	T12B09I26D0008
01-009	PRIMARY DRIVE SHAFT - CE 1-3/8 INCH X 21 SPLINE S/N HS74101 - AHB04100	T12B09I26D0009
01-010	PRIMARY DRIVE SHAFT - CE 1-3/4 INCH X 20 SPLINE S/N HS74101 - AHB04100	T12B09I26D0010
01-011	PRIMARY DRIVE SHAFT - CE 1-3/8 INCH X 21 SPLINE S/N AHB04101 AND LATER	T12B09I26D0011
01-012	PRIMARY DRIVE SHAFT - CE 1-3/4 INCH X 20 SPLINE S/N AHB04101 AND LATER	T12B09I26D0012
01-013	BRAKE - FLYWHEEL	T12B09I26D0013
01-014	MOUNTING - FLYWHEEL - NON-XD	T12B09I26D0014
01-015	MOUNTING - FLYWHEEL - XD	T12B09I26D0015
01-016	GEARBOX ASSEMBLY S/N HS74101 - BHB04189	T12B09I26D0016
01-017	GEARBOX ASSEMBLY - NON-XD S/N BHB04190 AND LATER	T12B09I26D0017
01-018	GEARBOX ASSEMBLY - XD	T12B09I26D0018
01-019	AUXILIARY DRIVE - LEFT HAND S/N HS74101 - HT74262	T12B09I26D0019
01-020	AUXILIARY DRIVE - LEFT HAND S/N HT74263 - AHB04305	T12B09I26D0020
01-021	AUXILIARY DRIVE - LEFT HAND S/N AHB04306 AND LATER	T12B09I26D0021
01-022	AUXILIARY DRIVE - RIGHT HAND	T12B09I26D0022
01-023	SHAFT AND SPROCKET - AUXILIARY	T12B09I26D0023
01-024	SLIP CLUTCH - AUXILIARY	T12B09I26D0024
01-025	DRIVE - CUTTER	T12B09I26D0025
01-026	GEARBOX ASSEMBLY - CUTTER	T12B09I26D0026
01-027	SLIP CLUTCH - CUTTER	T12B09I26D0027

1290N / 1290S LARGE RECTANGULAR BALER (PRIOR TO EHB04101)
FILTER



<https://www.ebooklibonline.com>

Hello dear friend!

Thank you very much for reading.

Enter the link into your browser.

The full manual is available for immediate download.

<https://www.ebooklibonline.com>

Fendt

1290N / 1290S LARGE RECTANGULAR BALER

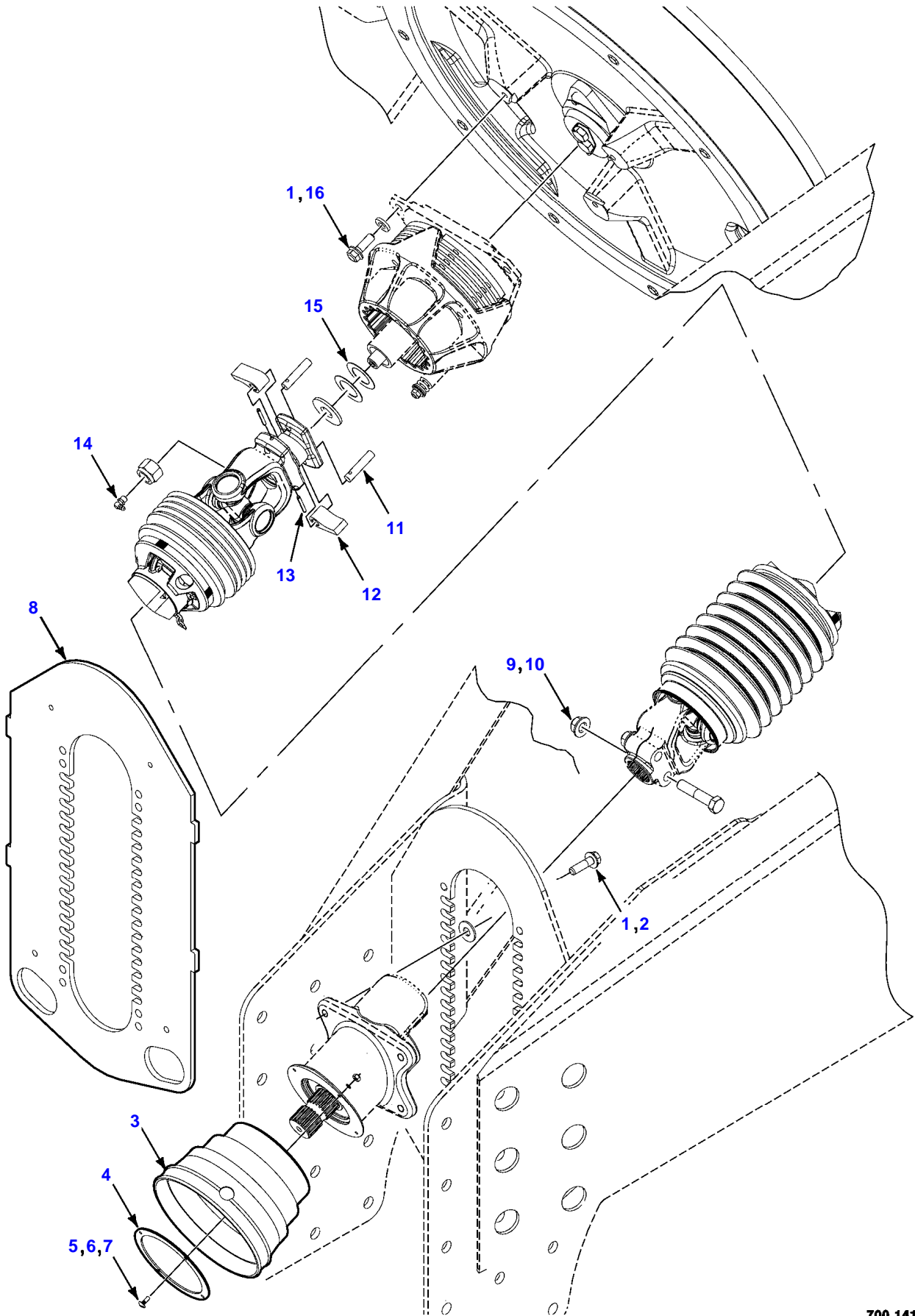
00731070

FILTER

Page01-001

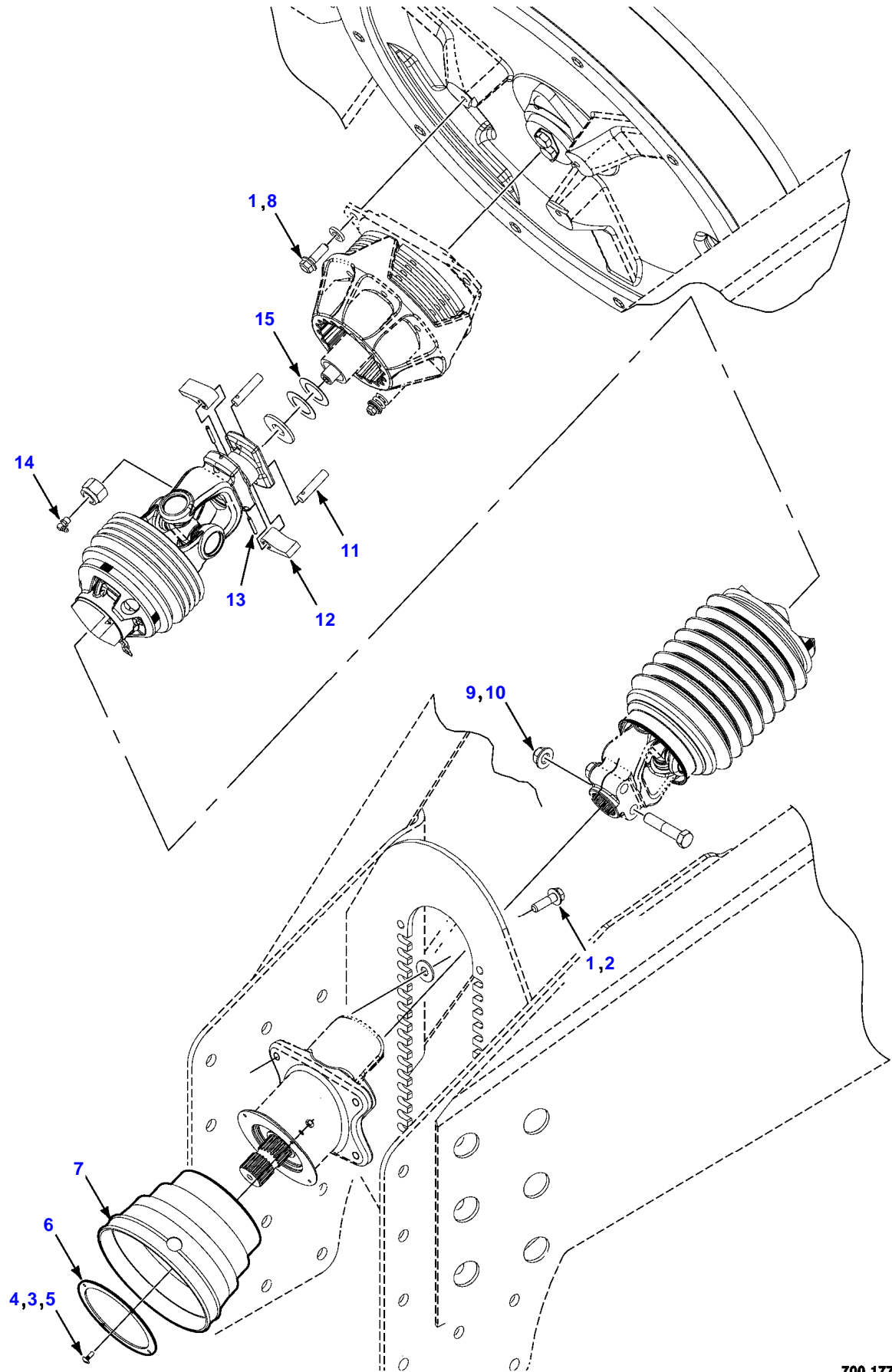
Item	Part Number	Qty	Description Comments
1	700735259	1	FILTER
	700735382	1	FILTER ELEMENT

1290N / 1290S LARGE RECTANGULAR BALER (PRIOR TO EHB04101)
MAIN DRIVE



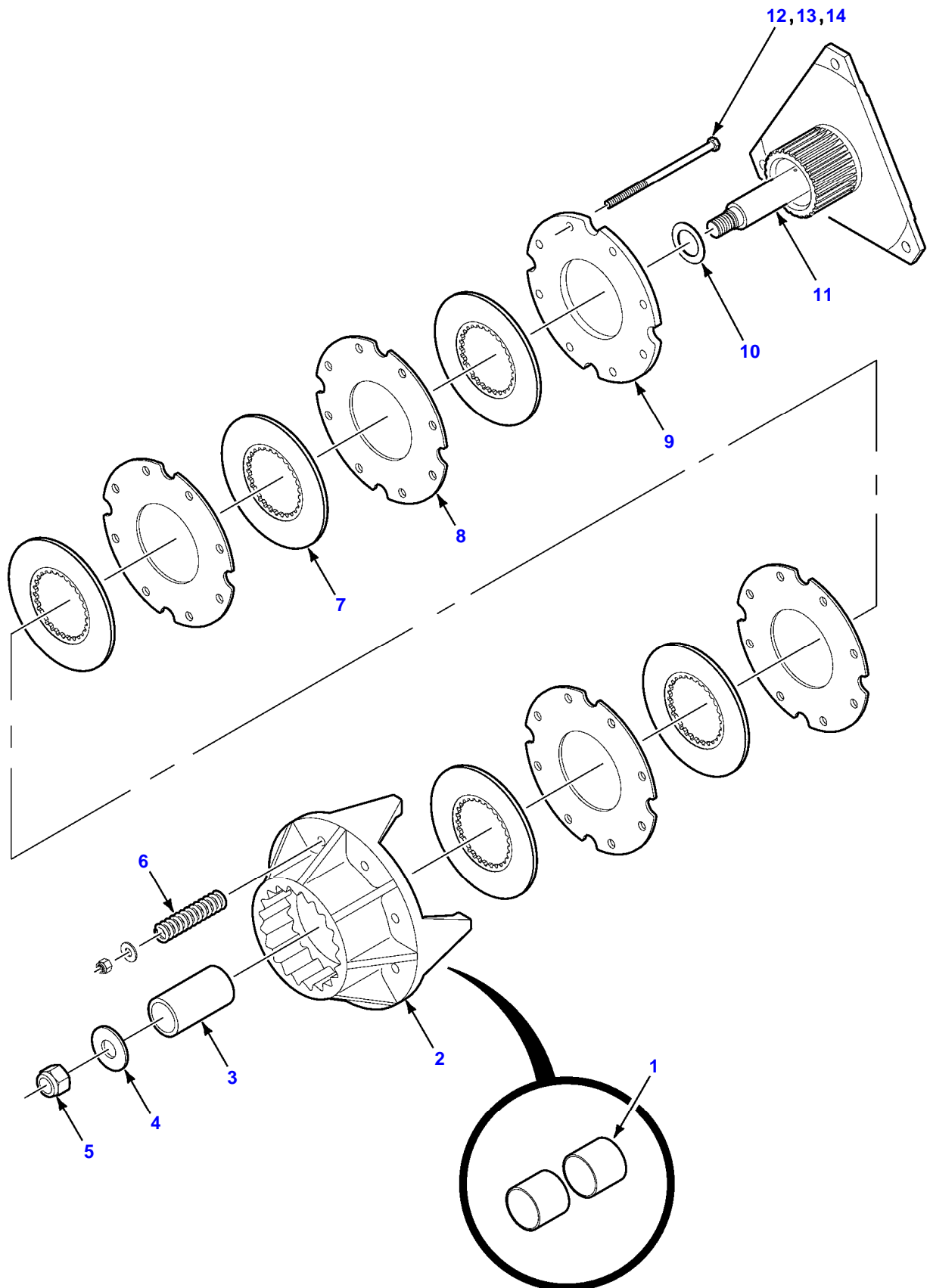
Item	Part Number	Qty	Description Comments	Technical Specification
1	8701237	7	HEXAGON FLANGE HEAD BOLT	1/2-13 X 1-1/2 GR8
2	700711557	4	FLAT WASHER	1/2
3	700729081	1	CONE GUARD	
4	700143340	1	MOUNTING FLANGE	
5	700737790	4	BOLT	RIBBED NECK #12-24X.75
6	7705692	4	FLAT WASHER	#12
7	700705521	4	SPECIAL LOCKNUT	#12-24
8	700141617	1	MOUNTING PLATE S/N HS74101 - CHB04100	
9	700708270	2	HEXAGON HEAD BOLT	5/8"-11 X 3
10	700711198	2	FLANGE LOCKNUT	5/8/-11
11	700113037	2	PAWL PIN	
12	700113036	2	CLUTCH PAWL	
13	Z63396	2	ROLL PIN	3/16" X 1-1/2
14	77115	1	GREASE FITTING	
15	6522932	2	CLUTCH SHIM	
16	705541	3	FLAT WASHER	1/2

1290N / 1290S LARGE RECTANGULAR BALER (PRIOR TO EHB04101)
MAIN DRIVE



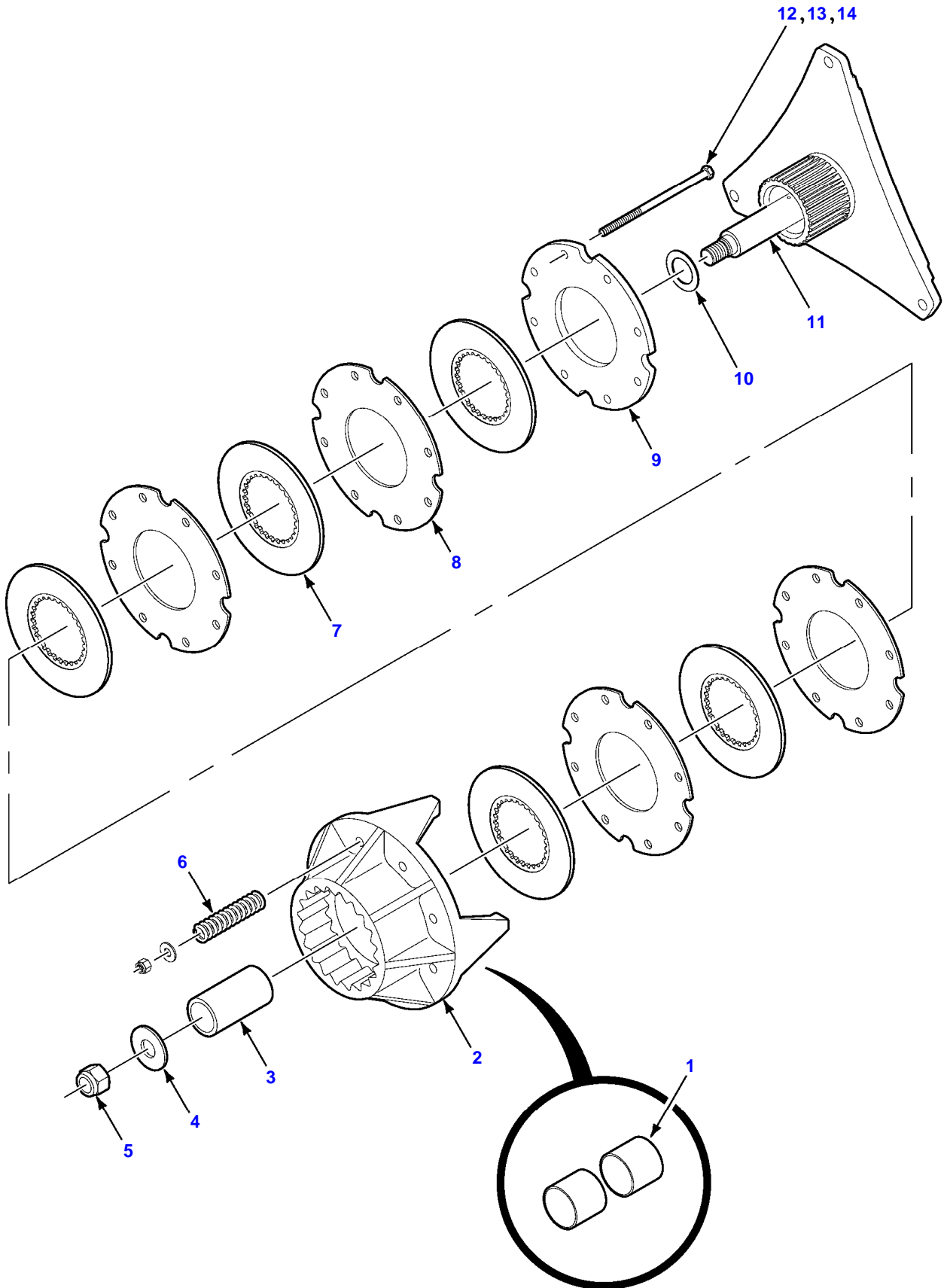
Item	Part Number	Qty	Description Comments	Technical Specification
1	8701237	7	HEXAGON FLANGE HEAD BOLT	1/2-13 X 1-1/2 GR8
2	700711557	4	FLAT WASHER	1/2
3	7705692	4	FLAT WASHER	#12
4	700737790	4	BOLT	RIBBED NECK #12-24X.75
5	700705521	4	SPECIAL LOCKNUT	#12-24
6	700143340	1	MOUNTING FLANGE	
7	700729081	1	CONE GUARD	
8	705541	3	FLAT WASHER	1/2
9	700708270	2	HEXAGON HEAD BOLT	5/8"-11 X 3
10	700703922	2	LOCKNUT	5/8-11 GRG
11	700113037	2	PAWL PIN	
12	700113036	2	CLUTCH PAWL	
13	63396	2	ROLL PIN	
14	77115	1	GREASE FITTING	
15	6522932	2	CLUTCH SHIM	

1290N / 1290S LARGE RECTANGULAR BALER (PRIOR TO EHB04101)
CLUTCH - FLYWHEEL



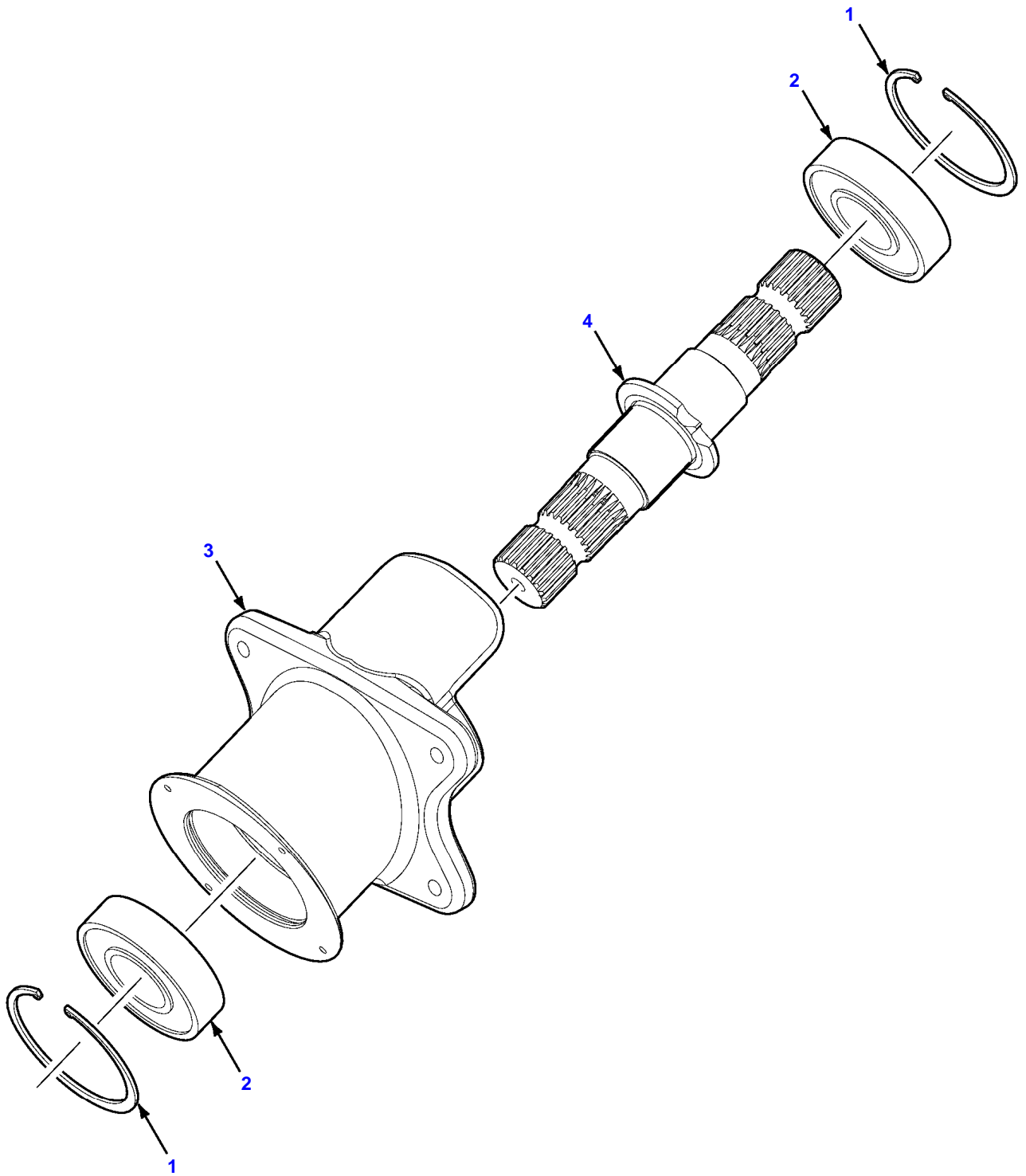
Item	Part Number	Qty	Description Comments	Technical Specification
1	7852114	2	BRONZE BUSHING	
2	700164637	1	CLUTCH HOUSING	
	7852114	2	BRONZE BUSHING	
3	6350805	1	TUBE	3-3/4 X 2" OD
4	76521	1	FLAT WASHER	NON-PLATED, 7/8
5	700707250	1	STOP NUT	7/8-14
6	858019	8	COMPRESSION SPRING	
7	700108820	5	FRICTION DISC	
8	700112903	4	CLUTCH PLATE	
9	6522866	1	CLUTCH PLATE	
10	Z52274	1	WASHER	
11	700141153	1	CLUTCH PILOT	
12	700732562	8	HEX BOLT	3/8-16 X 7-1/2
13	700709603	8	FLAT WASHER	3/8 INCH
14	704734	8	FLANGE LOCKNUT	3/8-16

1290N / 1290S LARGE RECTANGULAR BALER (PRIOR TO EHB04101)
CLUTCH - FLYWHEEL



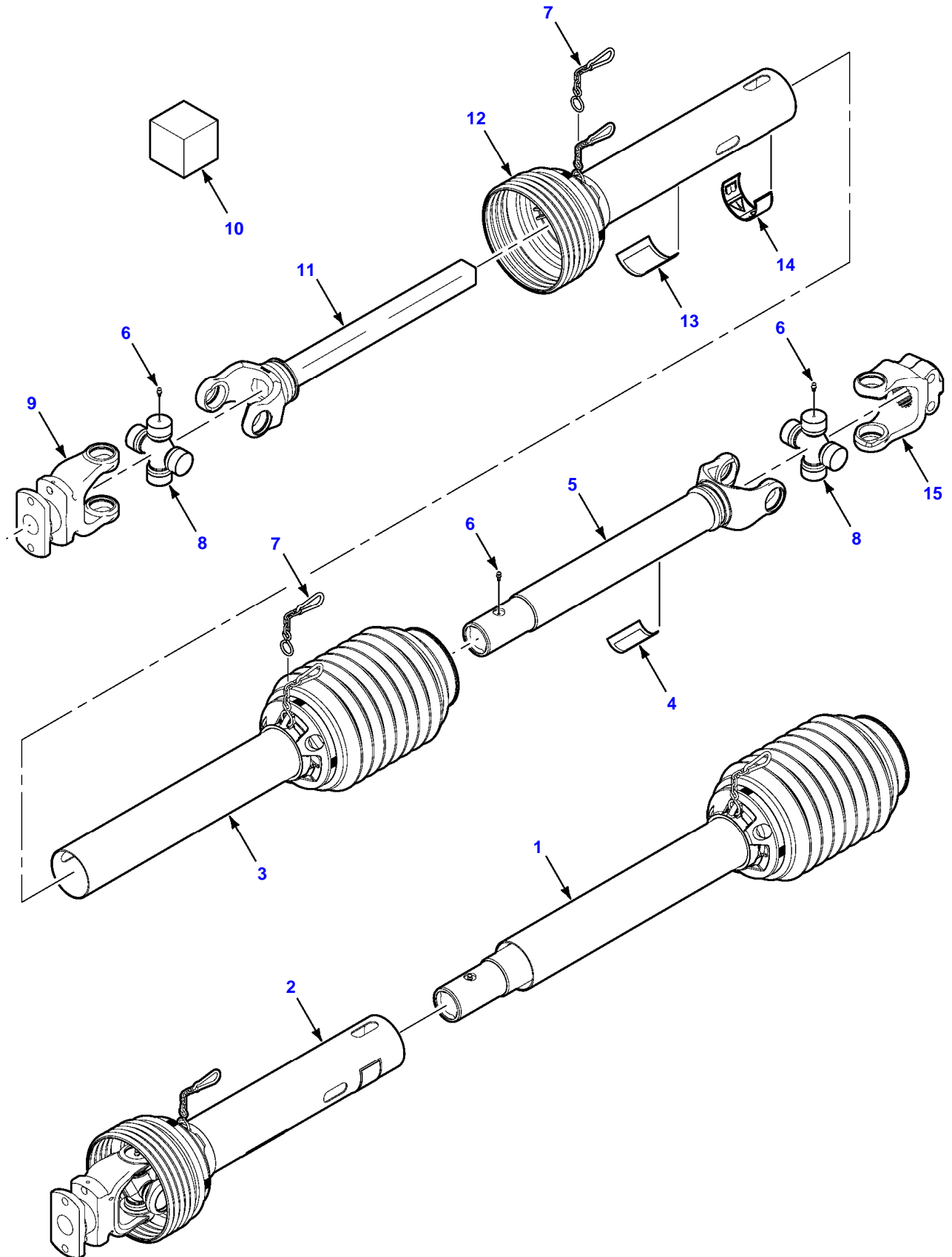
Item	Part Number	Qty	Description Comments	Technical Specification
1	7852114	2	BRONZE BUSHING	
2	700164637	1	CLUTCH HOUSING	
	7852114	2	BRONZE BUSHING	
3	6350805	1	TUBE	3-3/4 X 2" OD
4	76521	1	FLAT WASHER	NON-PLATED, 7/8
5	700707250	1	STOP NUT	7/8-14
6	858019	8	COMPRESSION SPRING	
7	700108820	5	FRICTION DISC	
8	700112903	4	CLUTCH PLATE	
9	6522866	1	CLUTCH PLATE	
10	Z52274	1	WASHER	
11	700177894	1	SHAFT	
12	700732562	8	HEX BOLT	3/8-16 X 7-1/2
13	700709603	8	FLAT WASHER	3/8 INCH
14	704734	8	FLANGE LOCKNUT	3/8-16

1290N / 1290S LARGE RECTANGULAR BALER (PRIOR TO EHB04101)
DRIVE SHAFT



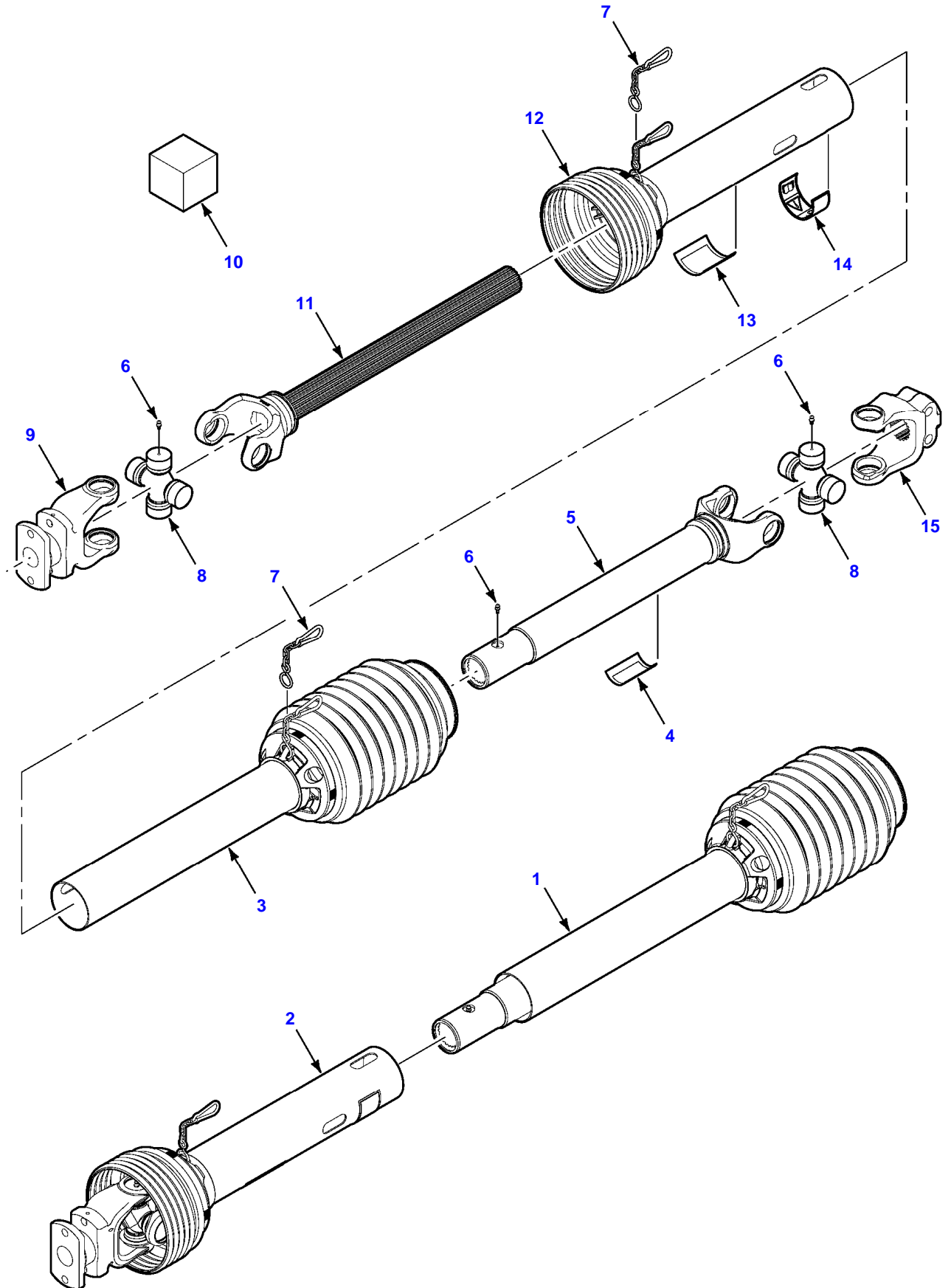
Item	Part Number	Qty	Description Comments	Technical Specification
1	8052326	2	RETAINING RING	
2	700721594	2	CYLINDRICAL BEARING	1.7715" ID
3	700734696	1	SUPPORT	
4	700174791	1	DRIVE SHAFT	

1290N / 1290S LARGE RECTANGULAR BALER (PRIOR TO EHB04101)
SECONDARY DRIVE SHAFT



Item	Part Number	Qty	Description Comments	Technical Specification
1	700724125	1	DRIVELINE	
2	700724123	1	DRIVELINE	
3	700724141	1	INNER GUARD	
4	700708583	1	DANGER DECAL, SHIELD MISSING	DANGER
5	700724142	1	YOKE TUBE [A]	
6	77016	3	GREASE FITTING	1/4-28 IN
7	700720152	2	CHAIN KIT	
8	700724136	2	CROSS AND BEARING KIT	
	Z77016	1	GREASE FITTING	1/4-28
9	700706955	1	YOKE	
	7711799	1	CYLINDRICAL BEARING	
	700706956	1	BEARING	
	7052798	1	RETAINING RING	
	77107	1	GREASE FITTING	
10	700723268	2	NYLON BUSHING	
11	700724137	1	YOKE SHAFT	
12	700724140	1	OUTER GUARD [A]	
13	700707960	1	DECAL	
14	700728658	1	WARNING DECAL, CE	
15	700721794	1	YOKE [A] THE APPROPRIATE SAFETY DECALS MUST BE ORDERED AND FITTED TO THIS PART	

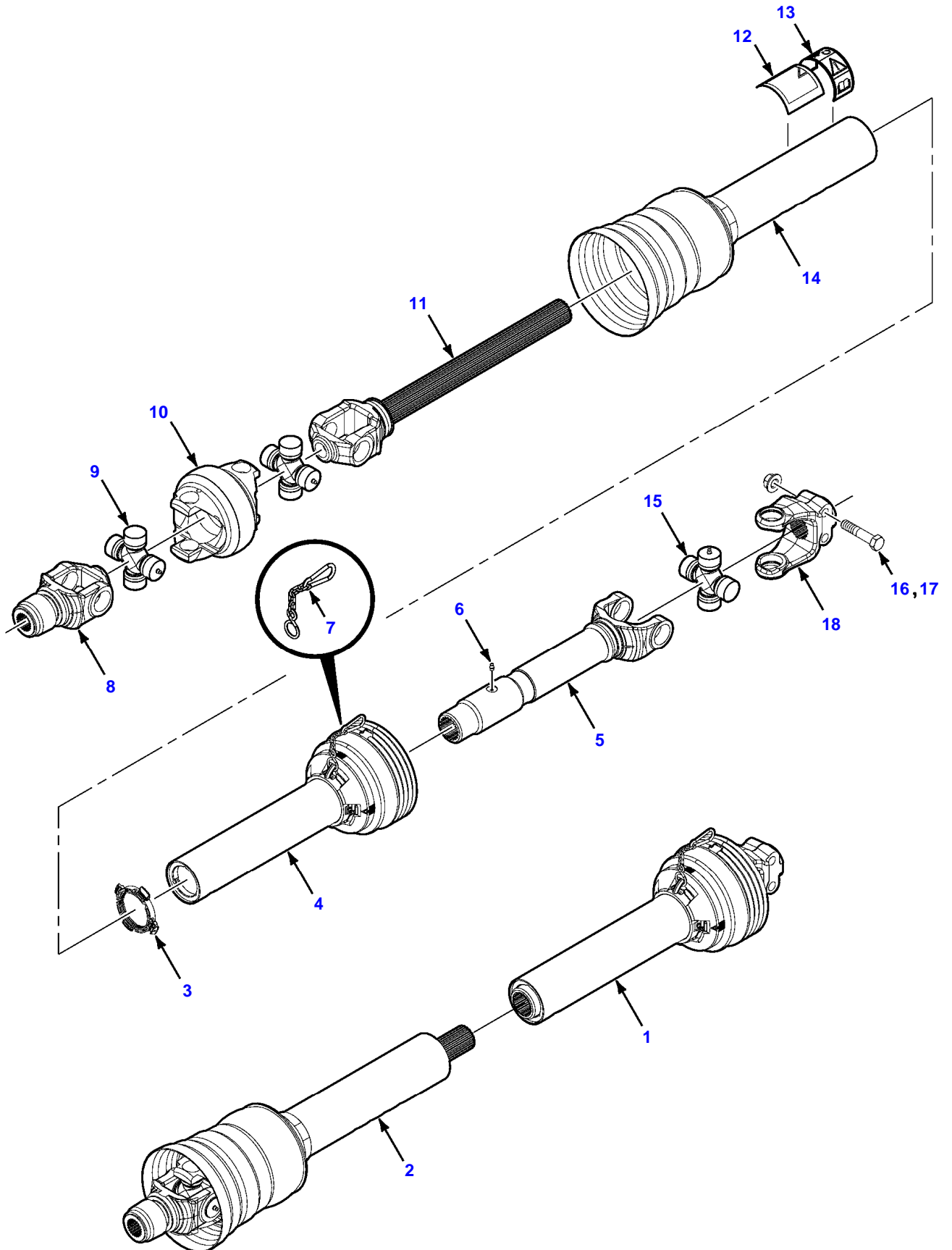
1290N / 1290S LARGE RECTANGULAR BALER (PRIOR TO EHB04101)
SECONDARY DRIVE SHAFT



Item	Part Number	Qty	Description Comments	Technical Specification
1	700736940	1	UNIVERSAL JOINT	SHAFT HALF WITH GUARD
2	700736939	1	UNIVERSAL JOINT	SHAFT HALF WITH GUARD
3	700736747	1	GUARD	
4	700708583	1	DANGER DECAL, SHIELD MISSING	DANGER
5	700736938	1	YOKE [A]	TUBE&SLIP SLEEVE
6	77016	3	GREASE FITTING	1/4-28 IN
7	700729055	2	CHAIN KIT	
8	700724136	2	CROSS AND BEARING KIT	
	Z77016	1	GREASE FITTING	1/4-28
9	700736743	1	YOKE	
	7711799	1	CYLINDRICAL BEARING	
	700706956	1	BEARING	
	7052798	1	RETAINING RING	
	77107	1	GREASE FITTING	
10	700723268	1	NYLON BUSHING	
11	700736745	1	YOKE	
12	700736746	1	GUARD [A]	
13	700707960	1	DECAL	
14	700728658	1	WARNING DECAL, CE	
15	700736740	1	YOKE	1 3/4-20

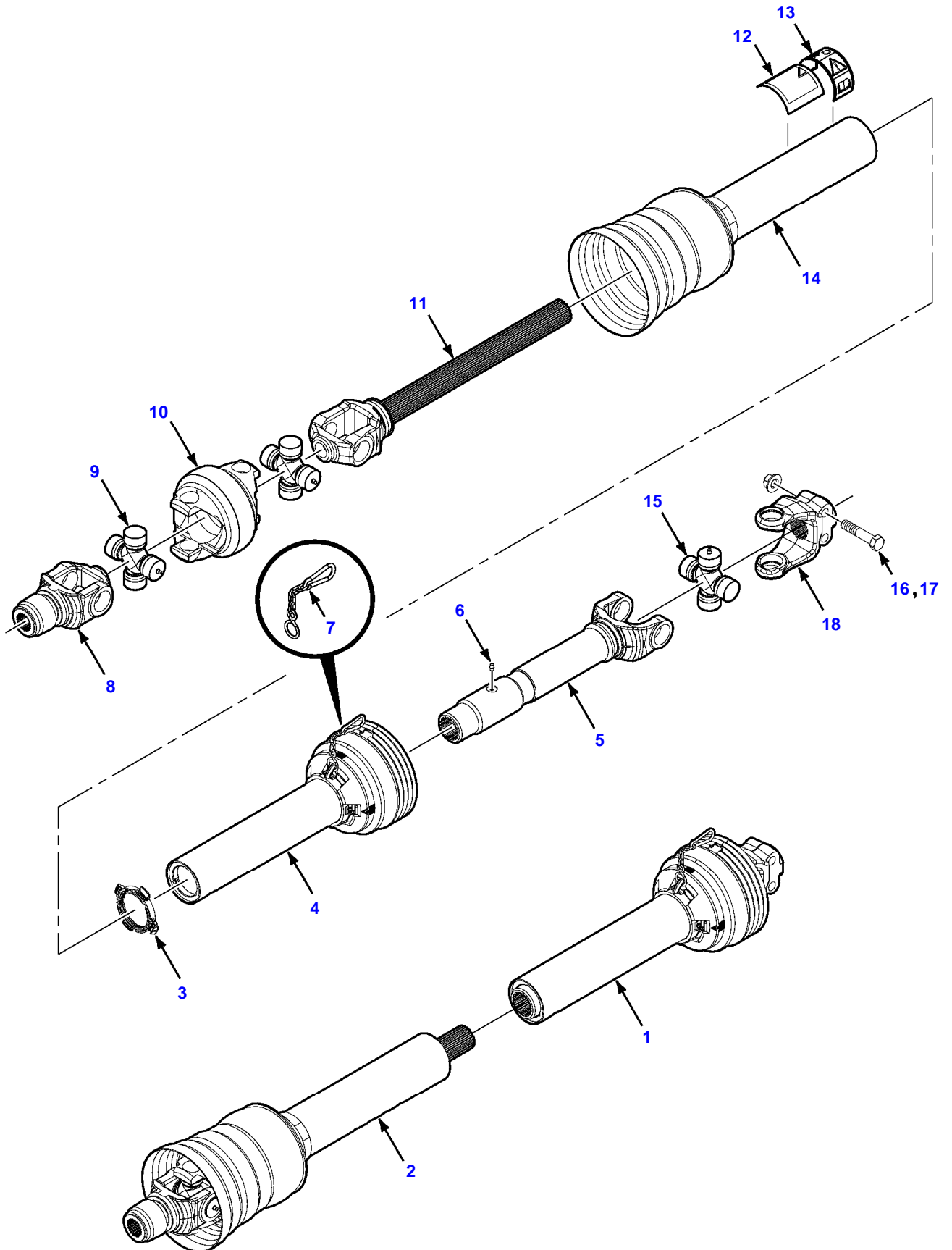
[A] THE APPROPRIATE SAFETY DECALS MUST BE ORDERED AND FITTED TO THIS PART

1290N / 1290S LARGE RECTANGULAR BALER (PRIOR TO EHB04101)
PRIMARY DRIVE SHAFT - CE



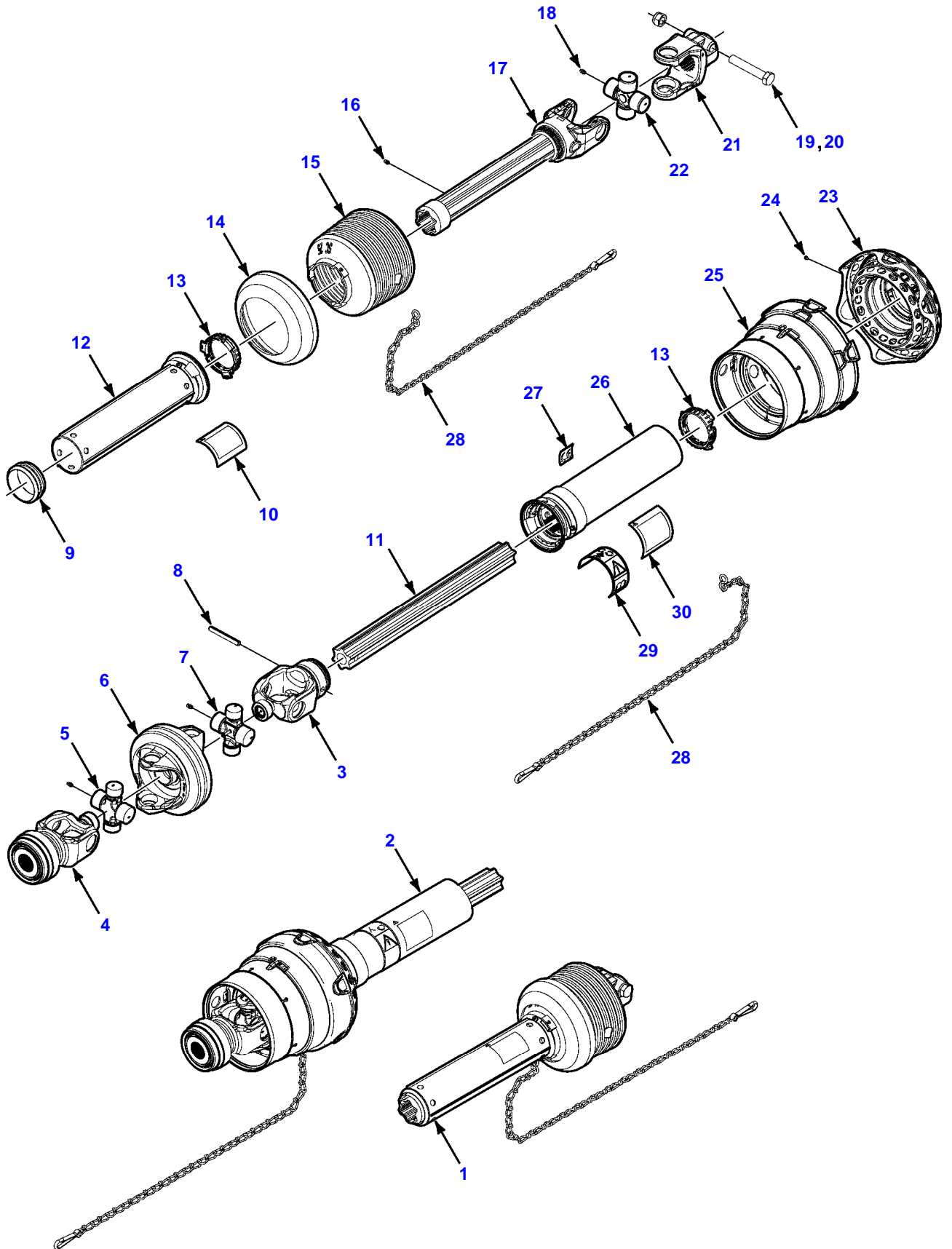
Item	Part Number	Qty	Description Comments	Technical Specification
			1-3/8 INCH X 21 SPLINE S/N HS74101 - AHB04100	
1	700728942	1	DRIVELINE	
2	700728940	1	DRIVELINE	
3	700723268	2	NYLON BUSHING	
4	700728950	1	INNER GUARD	
5	700728951	1	YOKE	
			[A]	
6	77016	1	GREASE FITTING	1/4-28 IN
7	700729055	2	CHAIN KIT	
8	700728943	1	YOKE	
	700720122	1	AUTO LOCK REPAIR KIT	
9	700728945	2	CROSS AND BEARING KIT	
	77016	1	GREASE FITTING	1/4-28 IN
10	700728946	1	HOUSING	
11	700728947	1	YOKE SHAFT	
12	700707960	1	DECAL	
13	700728658	1	WARNING DECAL, CE	
14	700728948	1	OUTER GUARD	
			[A]	
15	700724136	1	CROSS AND BEARING KIT	
	Z77016	1	GREASE FITTING	1/4-28
16	700708270	2	HEXAGON HEAD BOLT	5/8"-11 X 3
17	700711198	2	FLANGE LOCKNUT	5/8"-11
18	700721794	1	YOKE	
			[A] THE APPROPRIATE SAFETY DECALS MUST BE ORDERED AND FITTED TO THIS PART	

1290N / 1290S LARGE RECTANGULAR BALER (PRIOR TO EHB04101)
PRIMARY DRIVE SHAFT - CE



Item	Part Number	Qty	Description Comments	Technical Specification
			1-3/4 INCH X 20 SPLINE S/N HS74101 - AHB04100	
1	700728942	1	DRIVELINE	
2	700728941	1	DRIVELINE	
3	700723268	2	NYLON BUSHING	
4	700728950	1	INNER GUARD	
5	700728951	1	YOKE	
			[A]	
6	77016	1	GREASE FITTING	1/4-28 IN
7	700729055	2	CHAIN KIT	
8	700728944	1	YOKE	TYPE 3
	700711425	1	REPAIR KIT	20 SPLINE 1000RPM
9	700728945	2	CROSS AND BEARING KIT	
	77016	1	GREASE FITTING	1/4-28 IN
10	700728946	1	HOUSING	
11	700728947	1	YOKE SHAFT	
12	700707960	1	DECAL	
13	700728658	1	WARNING DECAL, CE	
14	700728948	1	OUTER GUARD	
			[A]	
15	700724136	1	CROSS AND BEARING KIT	
	Z77016	1	GREASE FITTING	1/4-28
16	700708270	2	HEXAGON HEAD BOLT	5/8"-11 X 3
17	700711198	2	FLANGE LOCKNUT	5/8"-11
18	700721794	1	YOKE	
			[A] THE APPROPRIATE SAFETY DECALS MUST BE ORDERED AND FITTED TO THIS PART	

1290N / 1290S LARGE RECTANGULAR BALER (PRIOR TO EHB04101)
PRIMARY DRIVE SHAFT - CE





Suggest:

For more complete manuals. Please go to the home page.

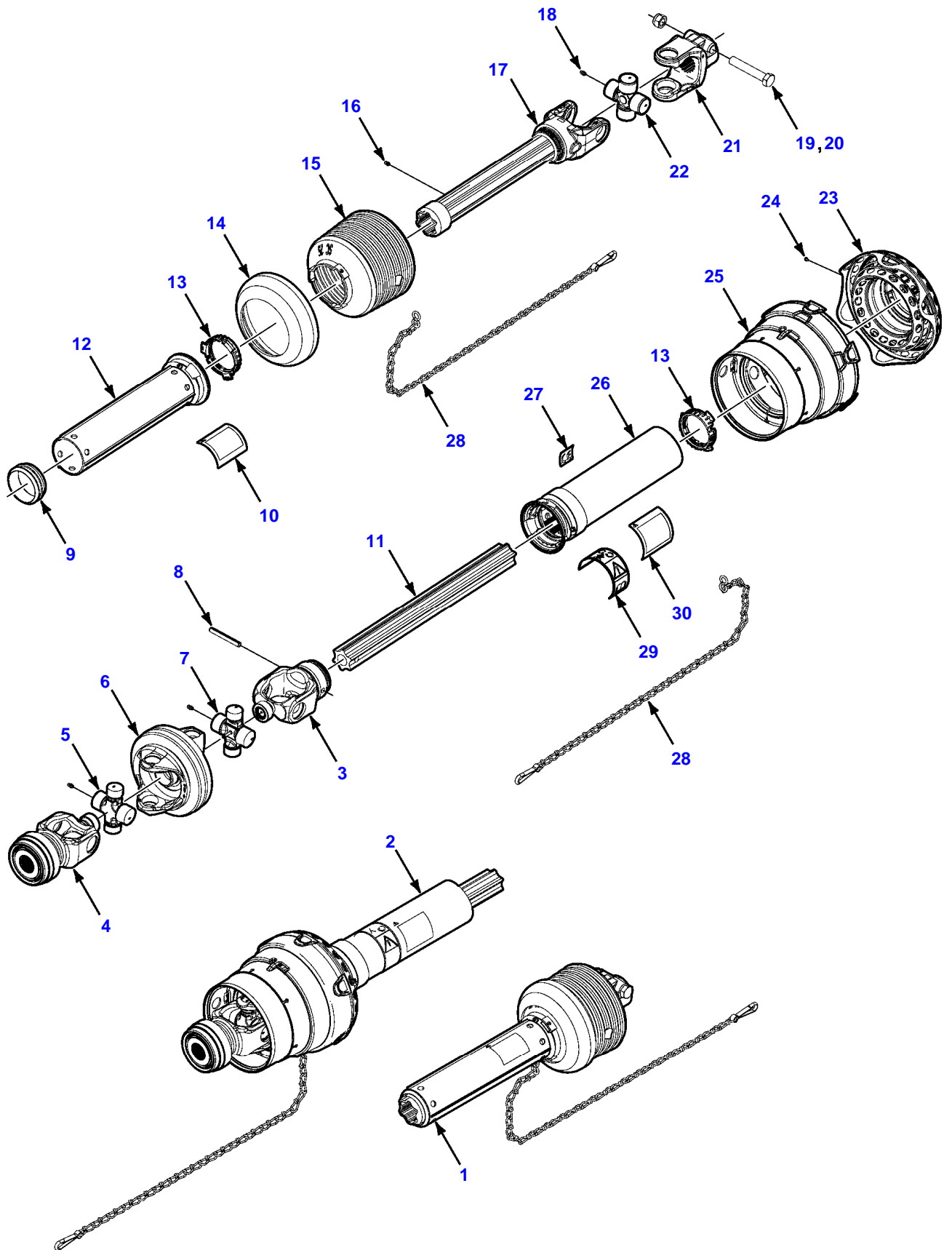
<https://www.ebooklibonline.com>

If the above button click is invalid. Please download this document first, and then click the above link to download the complete manual.

Thank you so much for reading

Item	Part Number	Qty	Description Comments	Technical Specification
			1-3/8 INCH X 21 SPLINE S/N AHB04101 AND LATER	
1	700737113	1	UNIVERSAL JOINT	
2	700735106	1	DRIVELINE	
3	700735112	1	YOKE	
4	700735109	1	YOKE	1-3/8 21 SPLINE
	700735126	1	REPAIR KIT	LOCK
5	700735113	1	CROSS AND BEARING KIT	CROSS AND BEARING
6	700735110	1	DOUBLE YOKE	
7	700735111	1	CROSS AND BEARING KIT	CROSS AND BEARING
8	763847	1	SPRING PIN	10 X 75 MM
9	700735123	1	BEARING BRACKET	
10	700708583	1	DANGER DECAL, SHIELD MISSING	DANGER
11	700735114	1	INNER PROFILE SHAFT	
12	700737117	1	TUBE [A]	
13	8800633	2	BEARING RING	SC25
14	700735124	1	REINFORCING COLLAR	
15	700735122	1	CONE GUARD	
16	700713262	1	GREASE FITTING	1/4-28
17	700737115	1	YOKE	IB (S5G)
18	700735125	3	GREASE FITTING	M6 X 1 IN
19	339182X1	1	HEX CAP SCREW	M16-2.0 X 90-ISO 8.8-ZN
20	1442739X1	1	LOCKNUT	M16-ISO 8-ZN
21	700737116	1	YOKE	
22	700735116	1	CROSS AND BEARING KIT	CROSS AND BEARING
23	700735121	1	GUARD CONE AND FLEX NET	
24	700714614	10	HEXAGON FLANGE HEAD BOLT	
25	700735120	1	CV GUARD/BEARING	
26	700735117	1	GUARD TUBE AND CAP [A]	
27	700735129	1	DECAL, CE MARK	
28	71382485	2	SAFETY CHAIN	
29	700728658	1	WARNING DECAL, CE	
30	700707960	1	DECAL	
			[A] THE APPROPRIATE SAFETY DECALS MUST BE ORDERED AND FITTED TO THIS PART	

1290N / 1290S LARGE RECTANGULAR BALER (PRIOR TO EHB04101)
PRIMARY DRIVE SHAFT - CE



<https://www.ebooklibonline.com>

Hello dear friend!

Thank you very much for reading.

Enter the link into your browser.

The full manual is available for immediate download.

<https://www.ebooklibonline.com>