

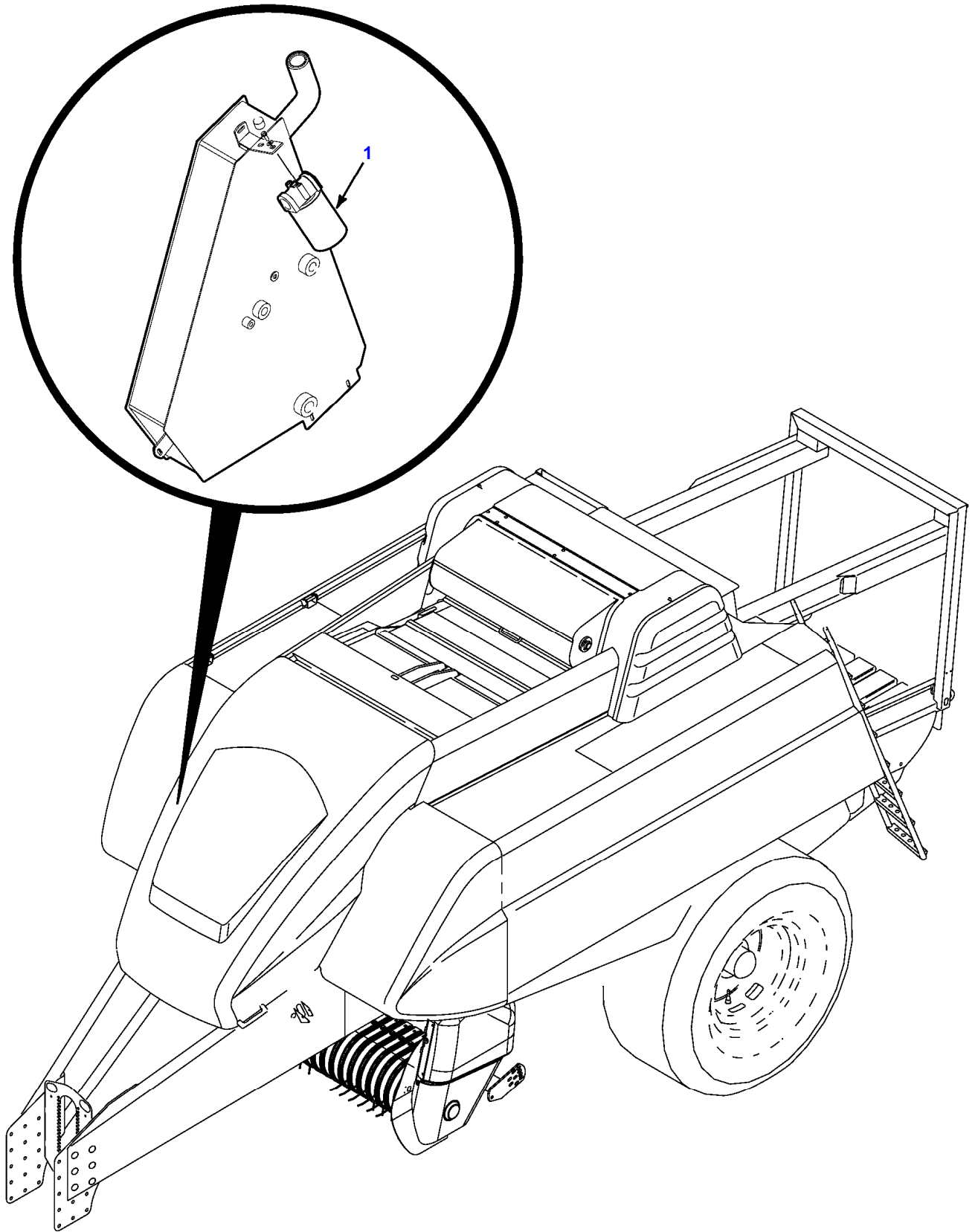
**TABLE OF CONTENT**

| <b>Page Number</b> | <b>Page Title</b>           | <b>Page Reference</b> |
|--------------------|-----------------------------|-----------------------|
| 01-000-TOC         | DRIVE SYSTEM                | 01-000-TOC            |
| 02-000-TOC         | HYDRAULIC SYSTEM            | 02-000-TOC            |
| 03-000-TOC         | ELECTRICAL SYSTEM           | 03-000-TOC            |
| 04-000-TOC         | BALE FEEDING SYSTEM         | 04-000-TOC            |
| 05-000-TOC         | BALE FORMING SYSTEM         | 05-000-TOC            |
| 06-000-TOC         | BALE KNOTTING SYSTEM        | 06-000-TOC            |
| 07-000-TOC         | BALE EJECTING SYSTEM        | 07-000-TOC            |
| 08-000-TOC         | CHASSIS                     | 08-000-TOC            |
| 09-000-TOC         | DECALS                      | 09-000-TOC            |
| 10-000-TOC         | AXLES, SPINDLES, AND WHEELS | 10-000-TOC            |
| 11-000-TOC         | BRAKE SYSTEM                | 11-000-TOC            |
| 12-000-TOC         | ACCESSORIES                 | 12-000-TOC            |

## DRIVE SYSTEM

| Page Number | Page Title  | Page Reference |
|-------------|---|----------------|
| 01-0001     | FILTER  | T13D23K32B0001 |
| 01-0002     | MAIN DRIVE  | T13D23K32B0005 |
| 01-0003     | CLUTCH - FLYWHEEL - NON-XD  | T13D23K32B0006 |
| 01-0004     | CLUTCH - FLYWHEEL - XD  | T13D23K32B0007 |
| 01-0005     | DRIVE SHAFT<br>S/N EHB04101 - EHB04242<br>S/N EHB07101 - EHB07119 | T13D23K32B0008 |
| 01-0006     | DRIVE SHAFT<br>S/N EHB04243 AND LATER<br>S/N EHB07120 AND LATER   | 1592619        |
| 01-0007     | SECONDARY DRIVE SHAFT - NON-XD                                    | T13D23K32B0009 |
| 01-0008     | SECONDARY DRIVE SHAFT - XD  | T13D23K32B0010 |
| 01-0009     | PRIMARY DRIVE SHAFT - CE<br>1-3/8 INCH X 21 SPLINE                | T13D23K32B0014 |
| 01-0010     | PRIMARY DRIVE SHAFT - CE<br>1-3/4 INCH X 20 SPLINE                | T13D23K32B0015 |
| 01-0011     | BRAKE - FLYWHEEL  | T13D23K32B0016 |
| 01-0012     | MOUNTING - FLYWHEEL - NON-XD                                      | T13D23K32B0017 |
| 01-0013     | MOUNTING - GEARBOX AND FLYWHEEL - XD                              | T13D23K32B0018 |
| 01-0014     | GEARBOX ASSEMBLY - NON-XD   | T13D23K32B0019 |
| 01-0015     | GEARBOX ASSEMBLY - XD   | T13D23K32B0020 |
| 01-0016     | AUXILIARY DRIVE - LEFT HAND                                       | T13D23K32B0021 |
| 01-0017     | AUXILIARY DRIVE - RIGHT HAND                                      | T13D23K32B0022 |
| 01-0018     | SHAFT AND SPROCKET - AUXILIARY                                    | T13D23K32B0023 |
| 01-0019     | SLIP CLUTCH - AUXILIARY   | T13D23K32B0024 |
| 01-0020     | DRIVE - CUTTER  | T13D23K32B0025 |
| 01-0021     | GEARBOX ASSEMBLY - CUTTER   | T13D23K32B0026 |
| 01-0022     | SLIP CLUTCH - CUTTER  | T13D23K32B0027 |
| 01-0023     | CHAIN LUBE<br>WITHOUT CUTTER                                      | 1499650        |
| 01-0024     | CHAIN LUBE<br>WITH CUTTER   | 1499651        |

1290N / 1290S LARGE RECTANGULAR BALER (EHB04101 - GHB04100)  
FILTER



**<https://www.ebooklibonline.com>**

Hello dear friend!

Thank you very much for reading.

Enter the link into your browser.

The full manual is available for immediate download.

**<https://www.ebooklibonline.com>**

---

Fendt

1290N / 1290S LARGE RECTANGULAR BALER (EHB04101 - 9999)

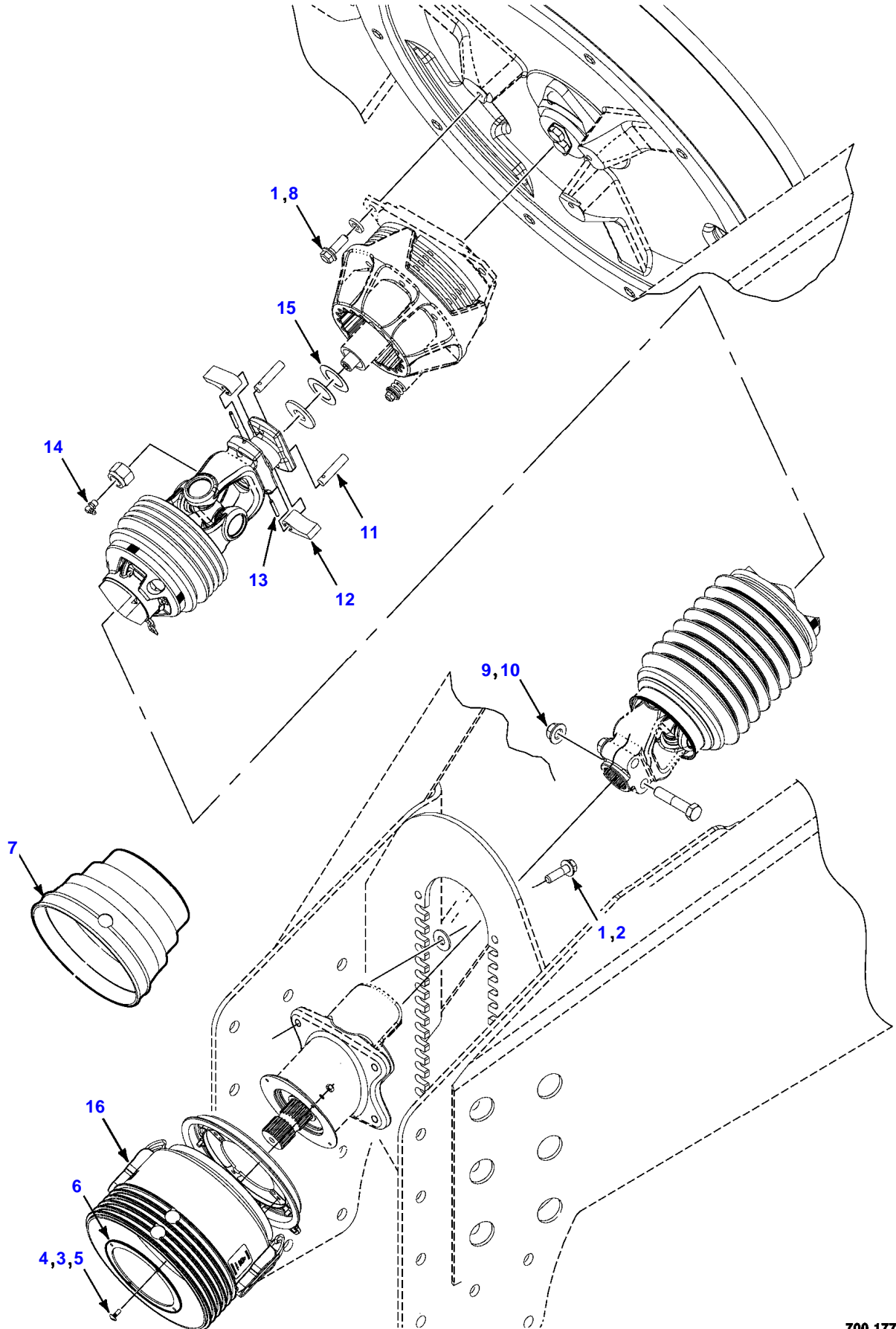
79035897

FILTER

Page01-0001

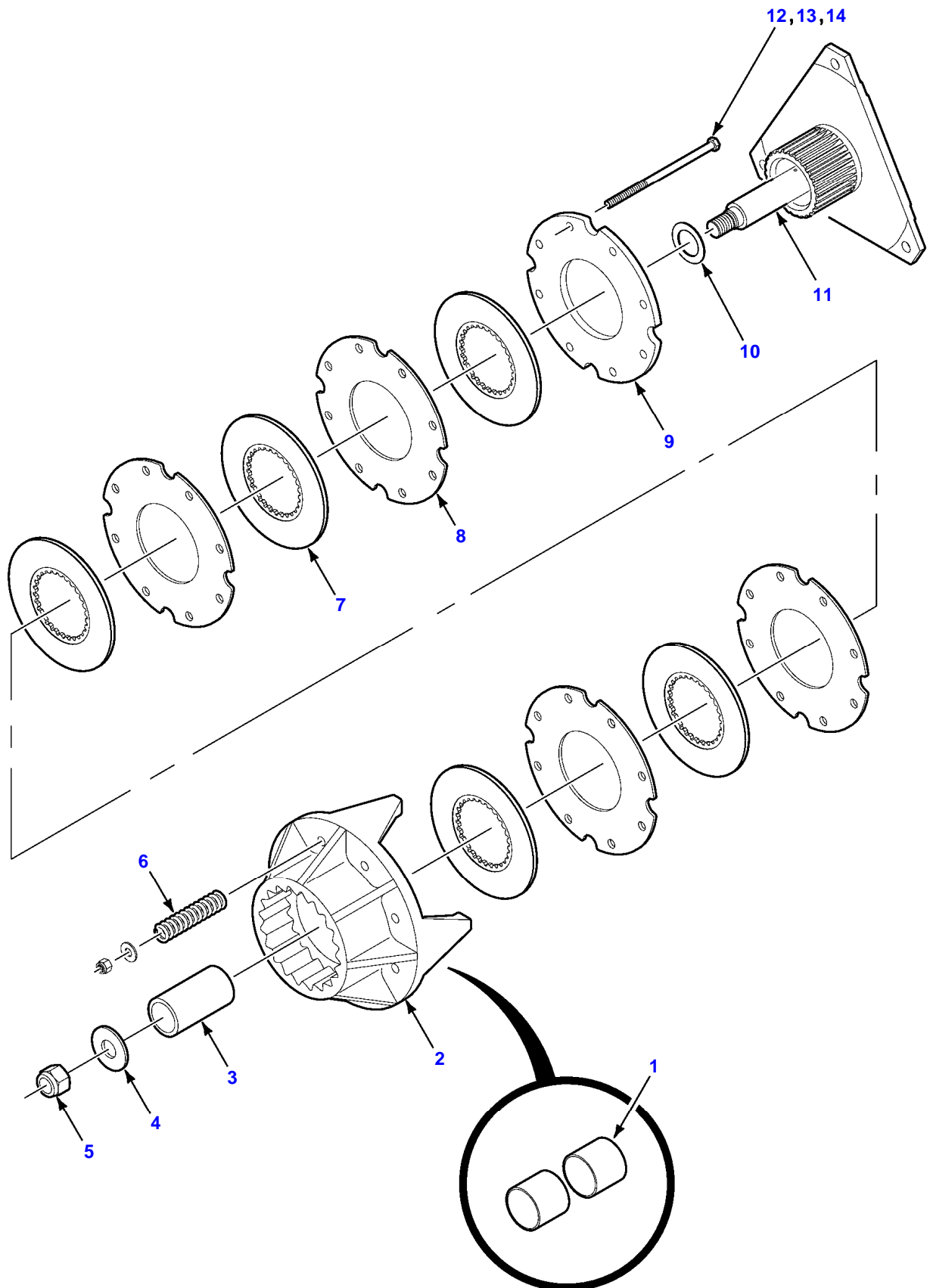
| Item | Part Number | Qty | Description<br>Comments |
|------|-------------|-----|-------------------------|
| 1    | 700738685   | 1   | FILTER                  |
|      | 700738686   | 1   | FILTER ELEMENT          |

1290N / 1290S LARGE RECTANGULAR BALER (EHB04101 - GHB04100)  
MAIN DRIVE



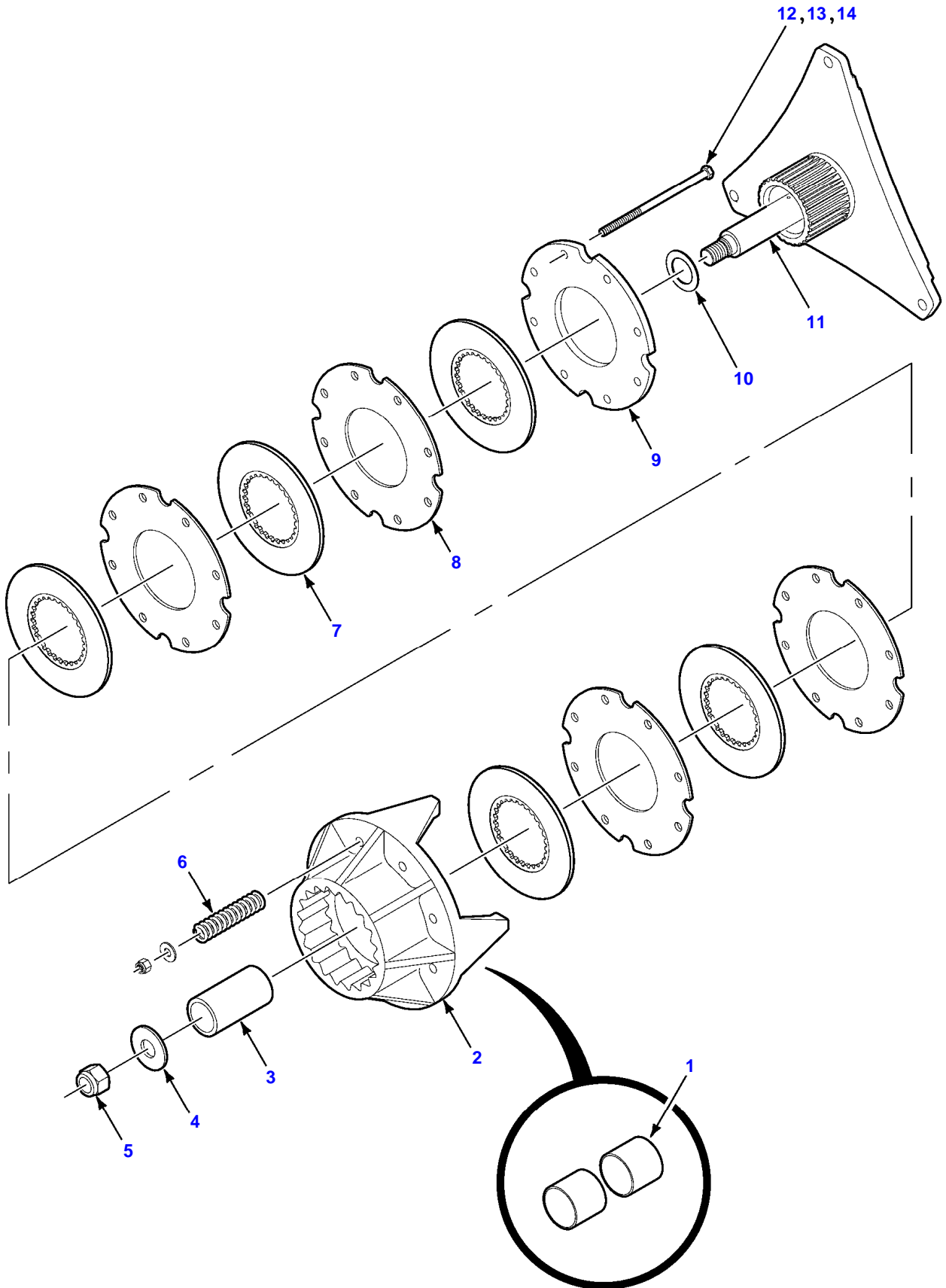
| Item | Part Number | Qty | Description<br>Comments | Technical Specification   |
|------|-------------|-----|-------------------------|---------------------------|
| 1    | 8701237     | 7   | HEX FLANGE HEAD BOLT    | 1/2"-13 X 1-1/2", GR8     |
| 2    | 700711557   | 4   | FLAT WASHER             | 1/2"                      |
| 3    | 7705692     | 4   | LOCK WASHER             | #12                       |
| 4    | 700737790   | 4   | PAN HEAD SCREW          | #12-24 X 3/4, RIBBED NECK |
| 5    | 700705521   | 4   | SPECIAL LOCKNUT         | #12-24                    |
| 6    | 700143340   | 1   | MOUNTING FLANGE         |                           |
| 7    | 700729081   | 1   | CONE GUARD              |                           |
| 8    | 705541      | 3   | FLAT WASHER             | 1/2"                      |
| 9    | 700708270   | 2   | HEX HEAD BOLT           | 5/8"-11 X 3", GR8         |
| 10   | 700703922   | 2   | HEX FLANGE LOCKNUT      | 5/8"-11                   |
| 11   | 700113037   | 2   | PAWL PIN                |                           |
| 12   | 700113036   | 2   | CLUTCH PAWL             |                           |
| 13   | Z63396      | 2   | SPLIT PIN               | 3/16" X 1-1/2"            |
| 14   | Z77115      | 1   | GREASE FITTING          | 1/8"-27, 90D              |
| 15   | 6522932     | 2   | CLUTCH SHIM             | 1-13/32" ID X 2-1/4" OD   |
| 16   | 700744199   | 1   | CONE SHIELD             |                           |

1290N / 1290S LARGE RECTANGULAR BALER (EHB04101 - GHB04100)  
CLUTCH - FLYWHEEL



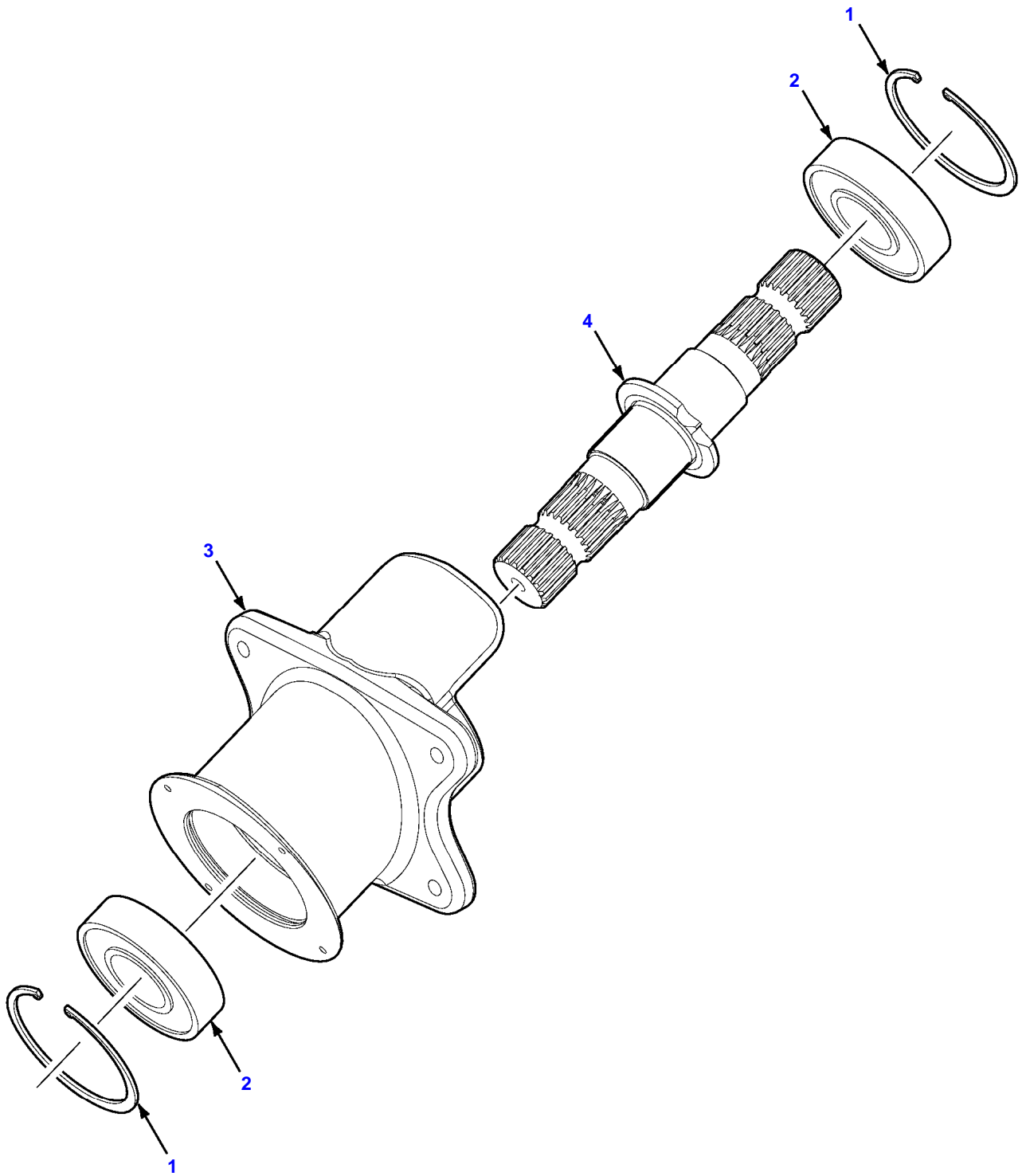
| Item | Part Number | Qty | Description<br>Comments | Technical Specification    |
|------|-------------|-----|-------------------------|----------------------------|
| 1    | 7852114     | 2   | BUSHING                 | 1-1/2" ID X 1-3/8", BRONZE |
| 2    | 700164637   | 1   | CLUTCH HOUSING          |                            |
|      | 7852114     | 2   | BUSHING                 | 1-1/2" ID X 1-3/8", BRONZE |
| 3    | 6350805     | 1   | HEADER PICKUP TUBE      | 2" OD X 3-3/4"             |
| 4    | 76521       | 1   | FLAT WASHER             | NON-PLATED, 7/8            |
| 5    | 700707250   | 1   | HEX NUT                 | 7/8"-14                    |
| 6    | 858019      | 8   | COMPRESSION SPRING      |                            |
| 7    | 700108820   | 5   | FRICTION DISC           | 6-7/8" DIA                 |
| 8    | 700112903   | 4   | CLUTCH PLATE            |                            |
| 9    | 6522866     | 1   | CLUTCH PLATE            |                            |
| 10   | Z52274      | 1   | MACHINERY BUSHING       | 1-3/8" X 14GA              |
| 11   | 700193077   | 1   | CLUTCH PILOT            |                            |
| 12   | 700732562   | 8   | HEX HEAD BOLT           | 3/8"-16 X 7-1/2", GR5      |
| 13   | 700709603   | 8   | FLAT WASHER             | 3/8"                       |
| 14   | 704734      | 8   | HEX FLANGE LOCKNUT      | 3/8"-16                    |

1290N / 1290S LARGE RECTANGULAR BALER (EHB04101 - GHB04100)  
CLUTCH - FLYWHEEL



| Item | Part Number | Qty | Description<br>Comments | Technical Specification    |
|------|-------------|-----|-------------------------|----------------------------|
| 1    | 7852114     | 2   | BUSHING                 | 1-1/2" ID X 1-3/8", BRONZE |
| 2    | 700164637   | 1   | CLUTCH HOUSING          |                            |
|      | 7852114     | 2   | BUSHING                 | 1-1/2" ID X 1-3/8", BRONZE |
| 3    | 6350805     | 1   | HEADER PICKUP TUBE      | 2" OD X 3-3/4"             |
| 4    | 76521       | 1   | FLAT WASHER             | NON-PLATED, 7/8            |
| 5    | 700707250   | 1   | HEX NUT                 | 7/8"-14                    |
| 6    | 858019      | 8   | COMPRESSION SPRING      |                            |
| 7    | 700108820   | 5   | FRICTION DISC           | 6-7/8" DIA                 |
| 8    | 700112903   | 4   | CLUTCH PLATE            |                            |
| 9    | 6522866     | 1   | CLUTCH PLATE            |                            |
| 10   | Z52274      | 1   | MACHINERY BUSHING       | 1-3/8" X 14GA              |
| 11   | 700177894   | 1   | SHAFT                   |                            |
| 12   | 700732562   | 8   | HEX HEAD BOLT           | 3/8"-16 X 7-1/2", GR5      |
| 13   | 700709603   | 8   | FLAT WASHER             | 3/8"                       |
| 14   | 704734      | 8   | HEX FLANGE LOCKNUT      | 3/8"-16                    |

1290N / 1290S LARGE RECTANGULAR BALER (EHB04101 - GHB04100)  
DRIVE SHAFT



Fendt

1290N / 1290S LARGE RECTANGULAR BALER (EHB04101 - 9999)

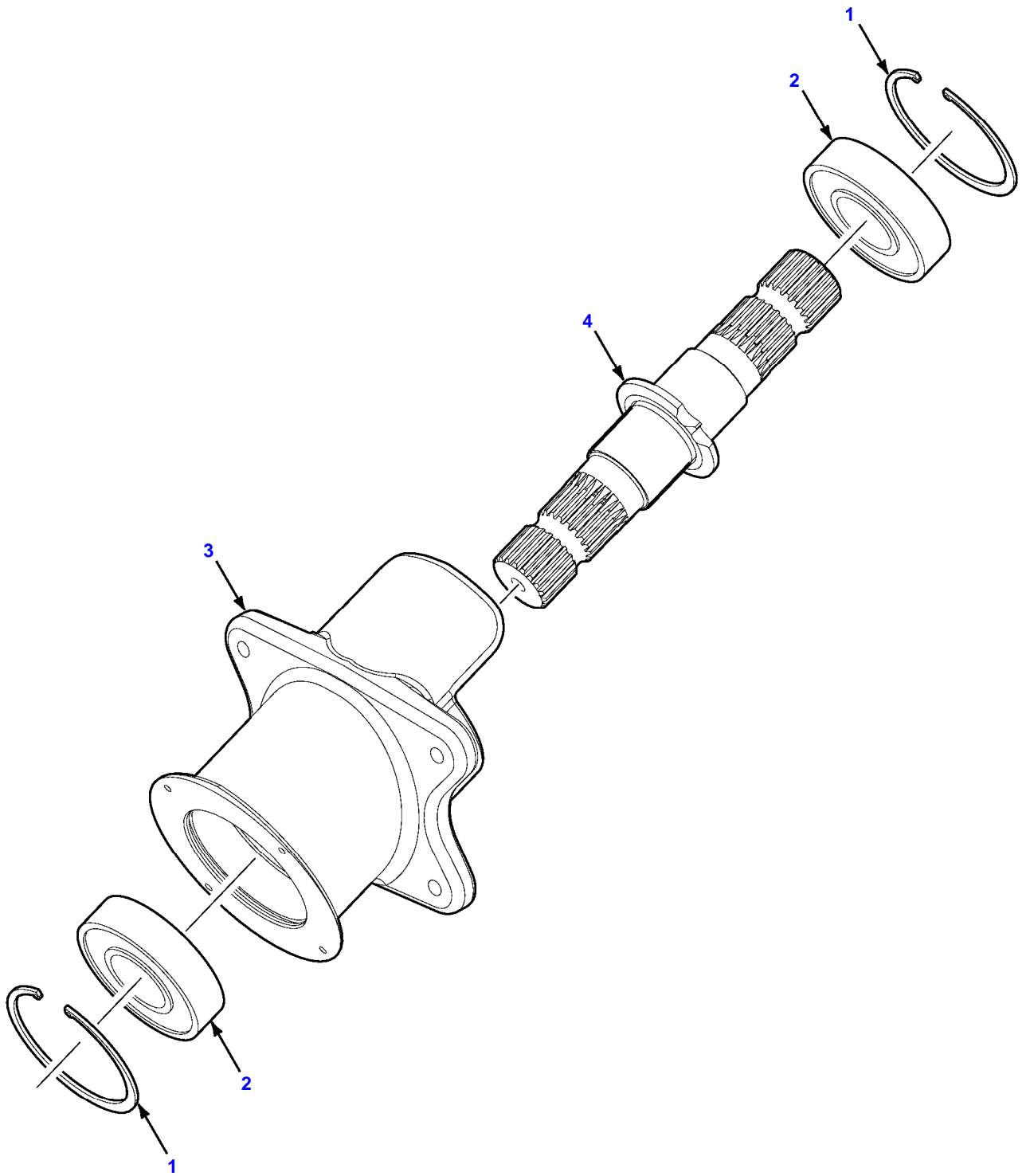
79035897

DRIVE SHAFT

Page01-0005

| Item | Part Number | Qty | Description<br>Comments                            | Technical Specification |
|------|-------------|-----|--|-------------------------|
|      |             |     | S/N EHB04101 - EHB04242<br>S/N EHB07101 - EHB07119 |                         |
| 1    | 8052326     | 2   | RETAINING RING                                     | 101MM OD                |
| 2    | 700721594   | 2   | BALL BEARING                                       | 45 X 100 X 25MM         |
| 3    | 700734696   | 1   | SUPPORT  |                         |
| 4    | 700174791   | 1   | DRIVE SHAFT  |                         |

1290N / 1290S LARGE RECTANGULAR BALER (EHB04101 - GHB04100)  
DRIVE SHAFT



Fendt

1290N / 1290S LARGE RECTANGULAR BALER (EHB04101 - 9999)

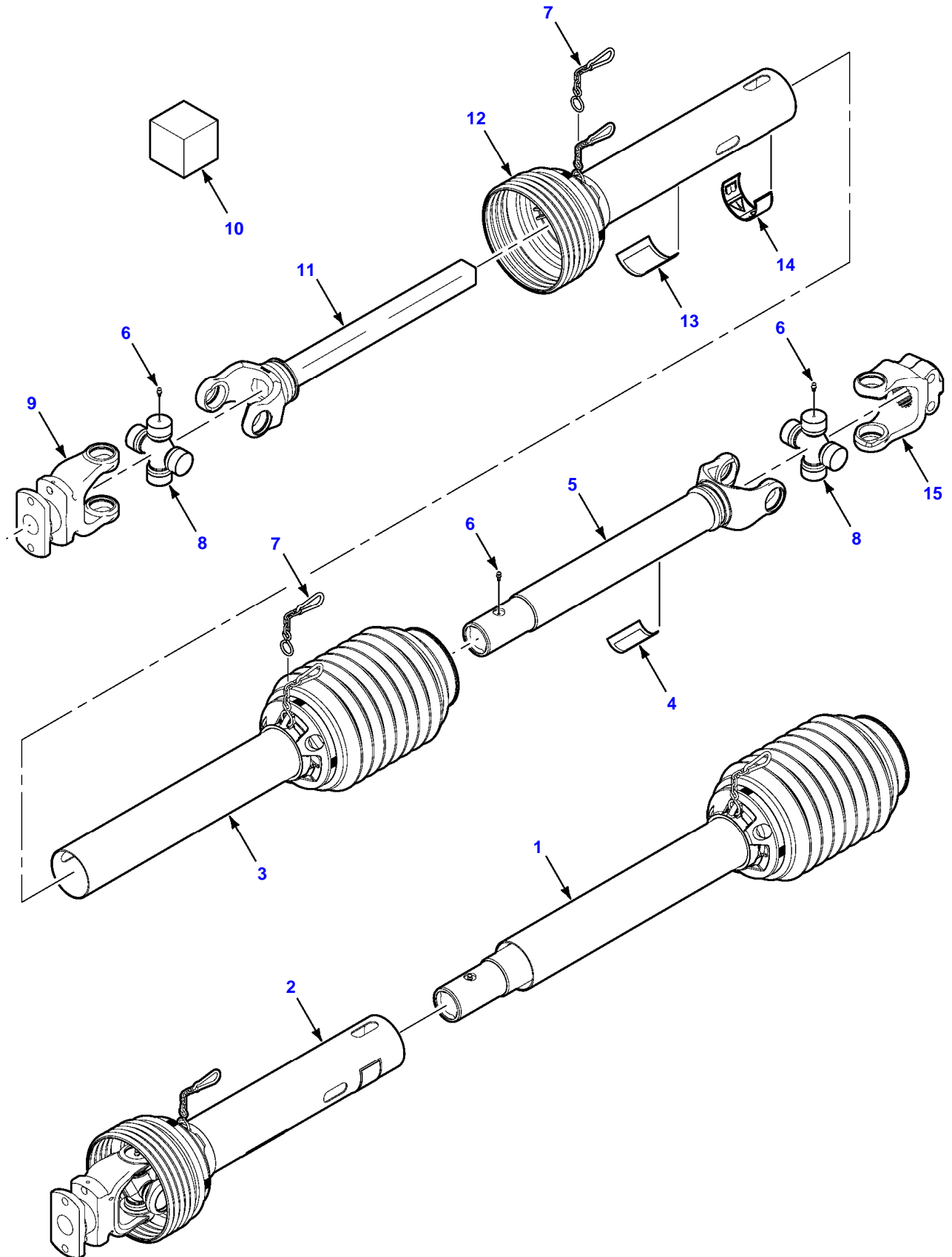
79035897

DRIVE SHAFT

Page01-0006

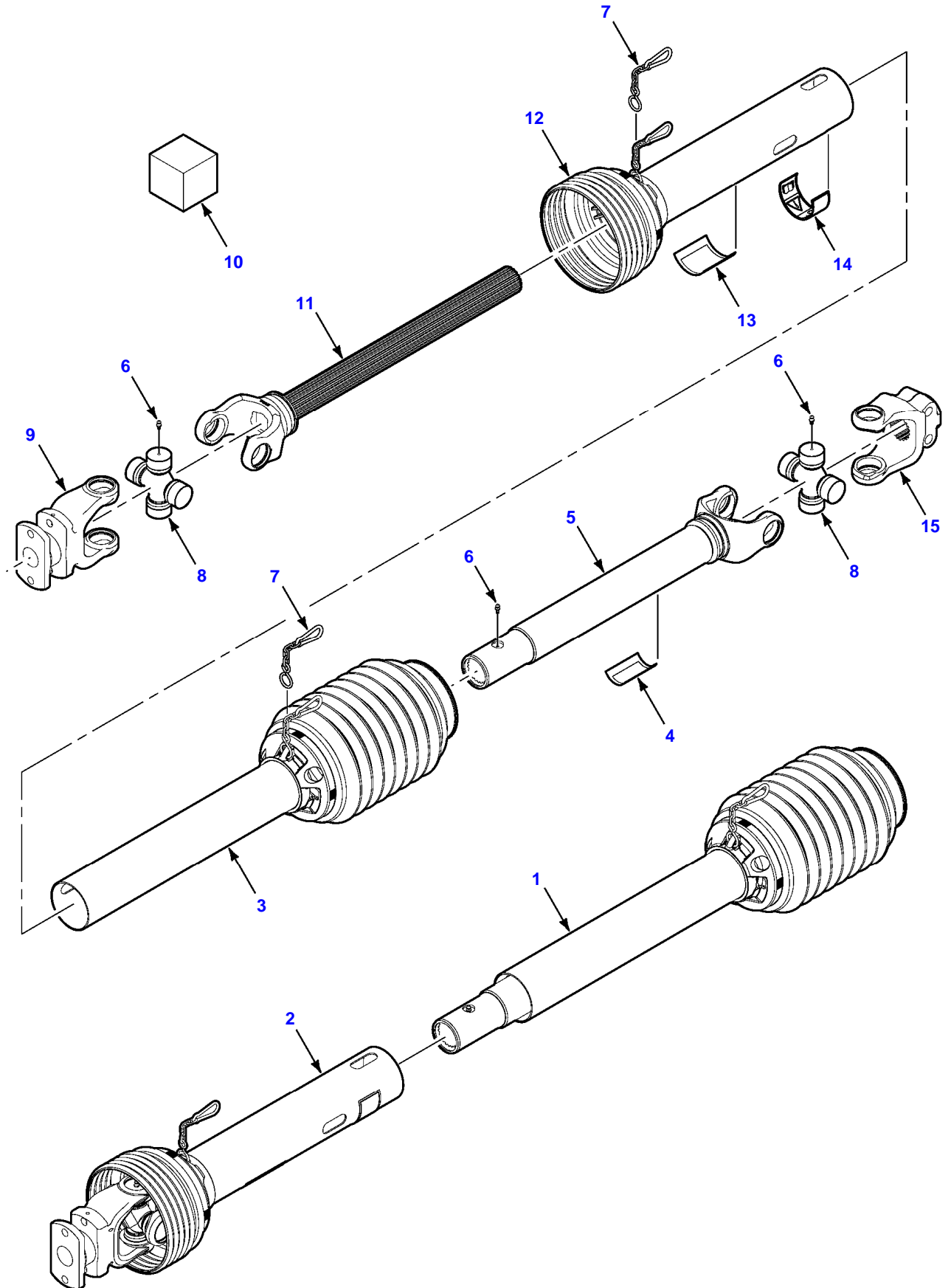
| Item | Part Number | Qty | Description<br>Comments                          | Technical Specification |
|------|-------------|-----|--|-------------------------|
|      |             |     | S/N EHB04243 AND LATER<br>S/N EHB07120 AND LATER |                         |
| 1    | 8052326     | 2   | RETAINING RING                                   | 101MM OD                |
| 2    | 700721594   | 2   | BALL BEARING                                     | 45 X 100 X 25MM         |
| 3    | 700744200   | 1   | HOUSING SUPPORT                                  |                         |
| 4    | 700174791   | 1   | DRIVE SHAFT                                      |                         |

1290N / 1290S LARGE RECTANGULAR BALER (EHB04101 - GHB04100)  
SECONDARY DRIVE SHAFT



| Item | Part Number | Qty | Description<br>Comments   | Technical Specification    |
|------|-------------|-----|---|----------------------------|
| 1    | 700724125   | 1   | PTO HALF SHAFT  |                            |
| 2    | 700724123   | 1   | PTO HALF SHAFT  |                            |
| 3    | 700724141   | 1   | DRIVE SHAFT SAFETY GUARD  |                            |
| 4    | 700747136   | 1   | DANGER DECAL, SHIELD MISSING  | 127MM X 87MM               |
| 5    | 700724142   | 1   | YOKE TUBE<br>[A]  |                            |
| 6    | Z77016      | 3   | GREASE FITTING  | 1/4"-28                    |
| 7    | 700720152   | 2   | CHAIN KIT   |                            |
| 8    | 700724136   | 2   | CROSS AND BEARING KIT   | 39MM DIA CAP, 109MM OL     |
|      | Z77016      | 1   | GREASE FITTING  | 1/4"-28                    |
| 9    | 700706955   | 1   | YOKE  |                            |
|      | 7711799     | 1   | CYLINDRICAL BEARING   |                            |
|      | 700706956   | 1   | BUSHING   | 35MM X 41MM X 32MM, BRONZE |
|      | 7052798     | 1   | RETAINING RING  | 52.17MM                    |
|      | Z77107      | 1   | GREASE FITTING  | 1/8"-27, 65D               |
| 10   | 700723268   | 2   | GUARD BUSHING KIT   | NYLON                      |
| 11   | 700724137   | 1   | YOKE SHAFT  |                            |
| 12   | 700724140   | 1   | DRIVE SHAFT SAFETY GUARD<br>[A]   |                            |
| 13   | 700747135   | 1   | DANGER DECAL, ROTATING DRIVELINE  | 134MM X 95MM               |
| 14   | 700746100   | 1   | WARNING DECAL   |                            |
| 15   | 700721794   | 1   | YOKE<br>[A] THE APPROPRIATE SAFETY DECALS MUST BE ORDERED AND FITTED TO THIS PART |                            |

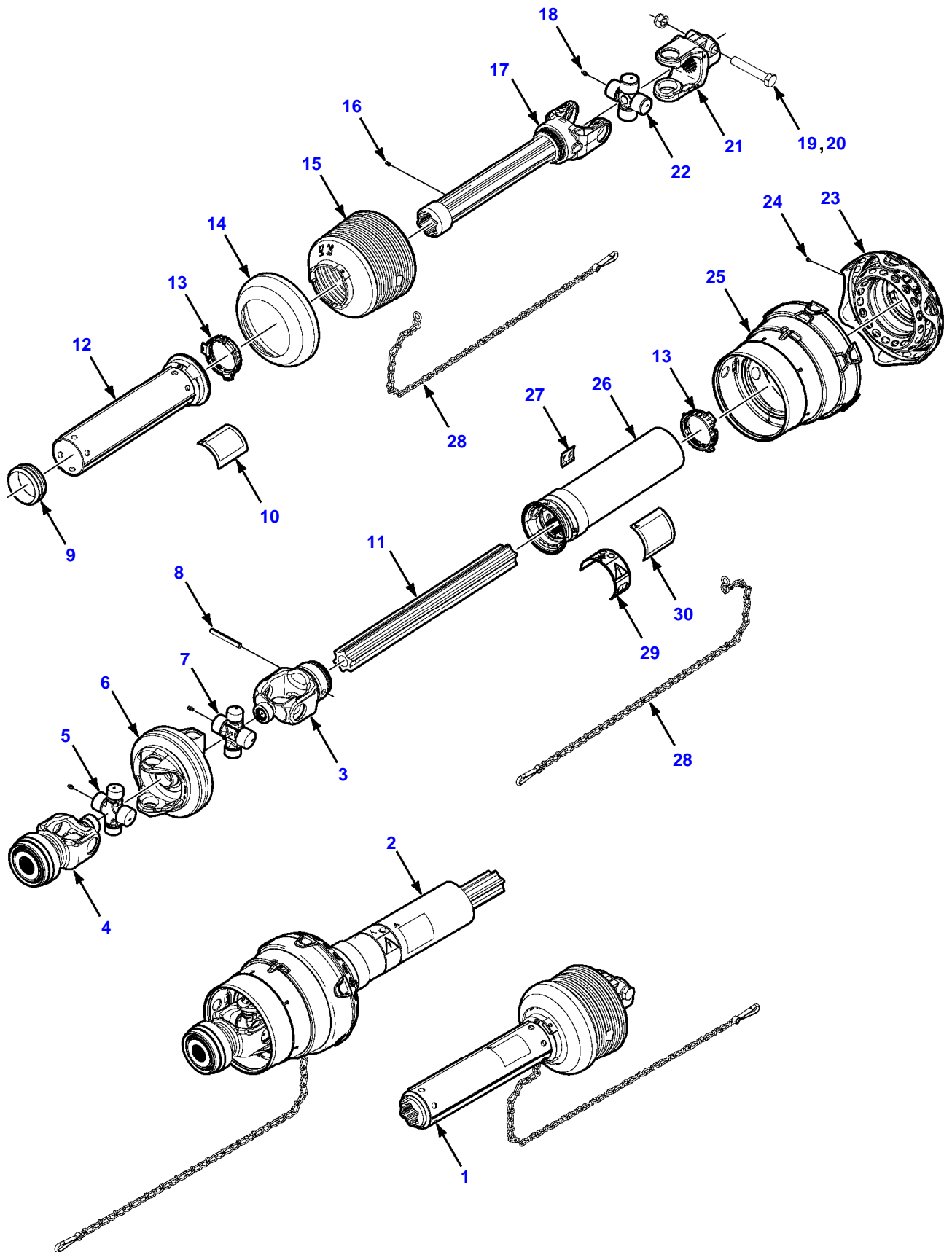
1290N / 1290S LARGE RECTANGULAR BALER (EHB04101 - GHB04100)  
SECONDARY DRIVE SHAFT



| Item | Part Number | Qty | Description<br>Comments          | Technical Specification    |
|------|-------------|-----|----------------------------------|----------------------------|
| 1    | 700736940   | 1   | PTO HALF SHAFT                   | 1-3/4" X 1-11/16", 20 SPL  |
| 2    | 700736939   | 1   | PTO HALF SHAFT                   | 1-11/16" DIA SPLINE        |
| 3    | 700736747   | 1   | GUARD                            |                            |
| 4    | 700708583   | 1   | DANGER DECAL, SHIELD MISSING     |                            |
| 5    | 700736938   | 1   | YOKE<br>[A]                      | TUBE&SLIP SLEEVE           |
| 6    | Z77016      | 3   | GREASE FITTING                   | 1/4"-28                    |
| 7    | 700729055   | 2   | CHAIN KIT                        |                            |
| 8    | 700724136   | 2   | CROSS AND BEARING KIT            | 39MM DIA CAP, 109MM OL     |
|      | Z77016      | 1   | GREASE FITTING                   | 1/4"-28                    |
| 9    | 700736743   | 1   | YOKE                             |                            |
|      | 7711799     | 1   | CYLINDRICAL BEARING              |                            |
|      | 700706956   | 1   | BUSHING                          | 35MM X 41MM X 32MM, BRONZE |
|      | 7052798     | 1   | RETAINING RING                   | 52.17MM                    |
|      | Z77107      | 1   | GREASE FITTING                   | 1/8"-27, 65D               |
| 10   | 700723268   | 1   | GUARD BUSHING KIT                | NYLON                      |
| 11   | 700736745   | 1   | YOKE                             | 1-11/16", 20 SPLINE        |
| 12   | 700736746   | 1   | GUARD<br>[A]                     |                            |
| 13   | 700707960   | 1   | DANGER DECAL, ROTATING DRIVELINE |                            |
| 14   | 700728658   | 1   | WARNING DECAL, CE                |                            |
| 15   | 700736740   | 1   | YOKE                             | 1-3/4", 20 SPLINE          |

**[A] THE APPROPRIATE SAFETY DECALS MUST BE ORDERED AND FITTED TO THIS PART**

1290N / 1290S LARGE RECTANGULAR BALER (EHB04101 - GHB04100)  
PRIMARY DRIVE SHAFT - CE



| Item   | Part Number | Qty | Description<br>Comments          | Technical Specification     |
|--|-------------|-----|----------------------------------|-----------------------------|
| <b>1-3/8 INCH X 21 SPLINE</b>  |             |     |                                  |                             |
| 1  | 700737113   | 1   | PTO HALF SHAFT                   | 1-3/4", 20 SPLINE           |
| 2  | 700735106   | 1   | PTO HALF SHAFT                   |                             |
| 3  | 700735112   | 1   | YOKE                             |                             |
| 4  | 700735109   | 1   | YOKE                             | 1-3/8", 21 SPLINE           |
|  | 700735126   | 1   | REPAIR KIT                       | LOCK                        |
| 5  | 700735113   | 1   | CROSS AND BEARING KIT            | 32 & 36MM DIA CAP, 112MM OL |
| 6  | 700735110   | 1   | DOUBLE YOKE                      |                             |
| 7  | 700735111   | 1   | CROSS AND BEARING KIT            | 32 & 36MM DIA CAP, 112MM OL |
| 8  | 763847      | 1   | SPRING PIN                       | 10 X 75 MM                  |
| 9  | 700735123   | 1   | BEARING BRACKET                  |                             |
| 10   | 700747136   | 1   | DANGER DECAL, SHIELD MISSING     | 127MM X 87MM                |
| 11   | 700735114   | 1   | INNER PROFILE SHAFT              |                             |
| 12   | 700737117   | 1   | INNER GUARD<br>[A]               |                             |
| 13   | 8800633     | 2   | BEARING RING                     | SC25                        |
| 14   | 700735124   | 1   | REINFORCING COLLAR               |                             |
| 15   | 700735122   | 1   | CONE GUARD                       | 7 RIB                       |
| 16   | 700713262   | 1   | GREASE FITTING                   | 1/4"-28 X 9/16"             |
| 17   | 700737115   | 1   | YOKE TUBE                        | IB (S5G)                    |
| 18   | 700735125   | 3   | GREASE FITTING                   | M6 X 1                      |
| 19   | 339182X1    | 1   | HEX CAP SCREW                    | M16 X 2 X 90, CL8.8         |
| 20   | 1442739X1   | 1   | HEX LOCKNUT                      | M16 X 2, CL8                |
| 21   | 700737116   | 1   | YOKE                             | 1-3/4"-20 SPLINE            |
| 22   | 700735116   | 1   | CROSS AND BEARING KIT            | 36MM DIA CAP, 89MM OL       |
| 23   | 700735121   | 1   | GUARD CONE AND FLEX NET          |                             |
| 24   | 700714614   | 10  | MACHINE SCREW                    |                             |
| 25   | 700735120   | 1   | DRIVE SHAFT SAFETY GUARD         |                             |
| 26   | 700735117   | 1   | GUARD TUBE AND CAP<br>[A]        |                             |
| 27   | 700735129   | 1   | DECAL, CE                        |                             |
| 28   | 71382485    | 2   | SAFETY CHAIN                     |                             |
| 29   | 700746100   | 1   | WARNING DECAL                    |                             |
| 30   | 700747135   | 1   | DANGER DECAL, ROTATING DRIVELINE | 134MM X 95MM                |
| <b>[A] THE APPROPRIATE SAFETY DECALS MUST BE ORDERED AND FITTED TO THIS PART</b> |             |     |                                  |                             |



**Suggest:**

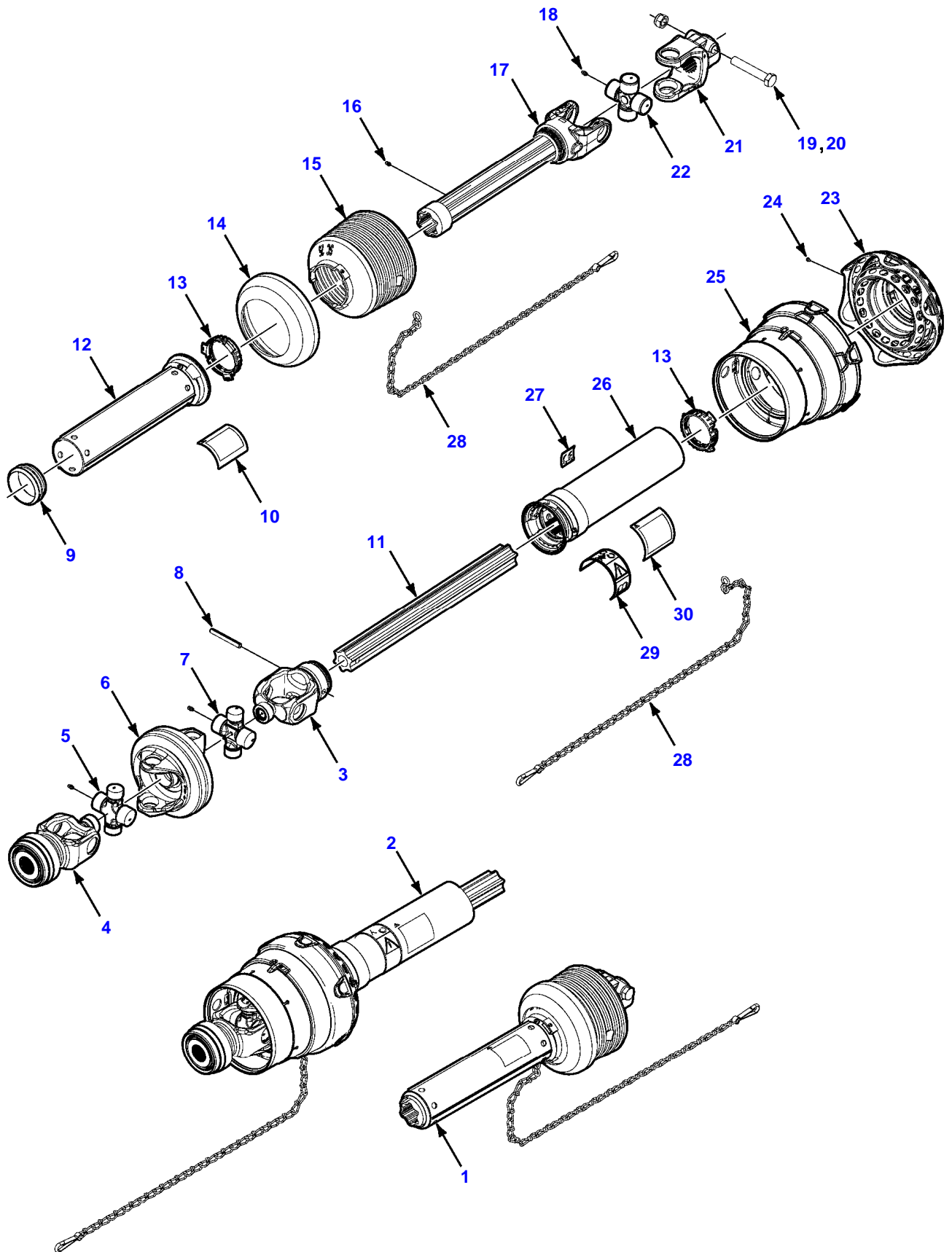
**For more complete manuals. Please go to the home page.**

**<https://www.ebooklibonline.com>**

**If the above button click is invalid. Please download this document first, and then click the above link to download the complete manual.**

**Thank you so much for reading**

1290N / 1290S LARGE RECTANGULAR BALER (EHB04101 - GHB04100)  
PRIMARY DRIVE SHAFT - CE



| Item   | Part Number | Qty | Description<br>Comments          | Technical Specification     |
|--|-------------|-----|----------------------------------|-----------------------------|
| <b>1-3/4 INCH X 20 SPLINE</b>  |             |     |                                  |                             |
| 1  | 700737113   | 1   | PTO HALF SHAFT                   | 1-3/4", 20 SPLINE           |
| 2  | 700735108   | 1   | PTO HALF SHAFT                   | 1-3/4", 20 SPLINE           |
| 3  | 700735112   | 1   | YOKE                             |                             |
| 4  | 700735127   | 1   | YOKE                             | 1-3/4", 20 SPLINE           |
|  | 700735128   | 1   | REPAIR KIT                       | LOCK                        |
| 5  | 700735113   | 1   | CROSS AND BEARING KIT            | 32 & 36MM DIA CAP, 112MM OL |
| 6  | 700735110   | 1   | DOUBLE YOKE                      |                             |
| 7  | 700735111   | 1   | CROSS AND BEARING KIT            | 32 & 36MM DIA CAP, 112MM OL |
| 8  | 763847      | 1   | SPRING PIN                       | 10 X 75 MM                  |
| 9  | 700735123   | 1   | BEARING BRACKET                  |                             |
| 10   | 700747136   | 1   | DANGER DECAL, SHIELD MISSING     | 127MM X 87MM                |
| 11   | 700735114   | 1   | INNER PROFILE SHAFT              |                             |
| 12   | 700737117   | 1   | INNER GUARD<br>[A]               |                             |
| 13   | 8800633     | 2   | BEARING RING                     | SC25                        |
| 14   | 700735124   | 1   | REINFORCING COLLAR               |                             |
| 15   | 700735122   | 1   | CONE GUARD                       | 7 RIB                       |
| 16   | 700713262   | 1   | GREASE FITTING                   | 1/4"-28 X 9/16"             |
| 17   | 700737115   | 1   | YOKE TUBE                        | IB (S5G)                    |
| 18   | 700735125   | 3   | GREASE FITTING                   | M6 X 1                      |
| 19   | 339182X1    | 1   | HEX CAP SCREW                    | M16 X 2 X 90, CL8.8         |
| 20   | 1442739X1   | 1   | HEX LOCKNUT                      | M16 X 2, CL8                |
| 21   | 700737116   | 1   | YOKE                             | 1-3/4"-20 SPLINE            |
| 22   | 700735116   | 1   | CROSS AND BEARING KIT            | 36MM DIA CAP, 89MM OL       |
| 23   | 700735121   | 1   | GUARD CONE AND FLEX NET          |                             |
| 24   | 700714614   | 10  | MACHINE SCREW                    |                             |
| 25   | 700735120   | 1   | DRIVE SHAFT SAFETY GUARD         |                             |
| 26   | 700735117   | 1   | GUARD TUBE AND CAP<br>[A]        |                             |
| 27   | 700735129   | 1   | DECAL, CE                        |                             |
| 28   | 71382485    | 2   | SAFETY CHAIN                     |                             |
| 29   | 700746100   | 1   | WARNING DECAL                    |                             |
| 30   | 700747135   | 1   | DANGER DECAL, ROTATING DRIVELINE | 134MM X 95MM                |
| <b>[A] THE APPROPRIATE SAFETY DECALS MUST BE ORDERED AND FITTED TO THIS PART</b> |             |     |                                  |                             |

**<https://www.ebooklibonline.com>**

Hello dear friend!

Thank you very much for reading.

Enter the link into your browser.

The full manual is available for immediate download.

**<https://www.ebooklibonline.com>**