
TABLE OF CONTENT**Page00-TOC**

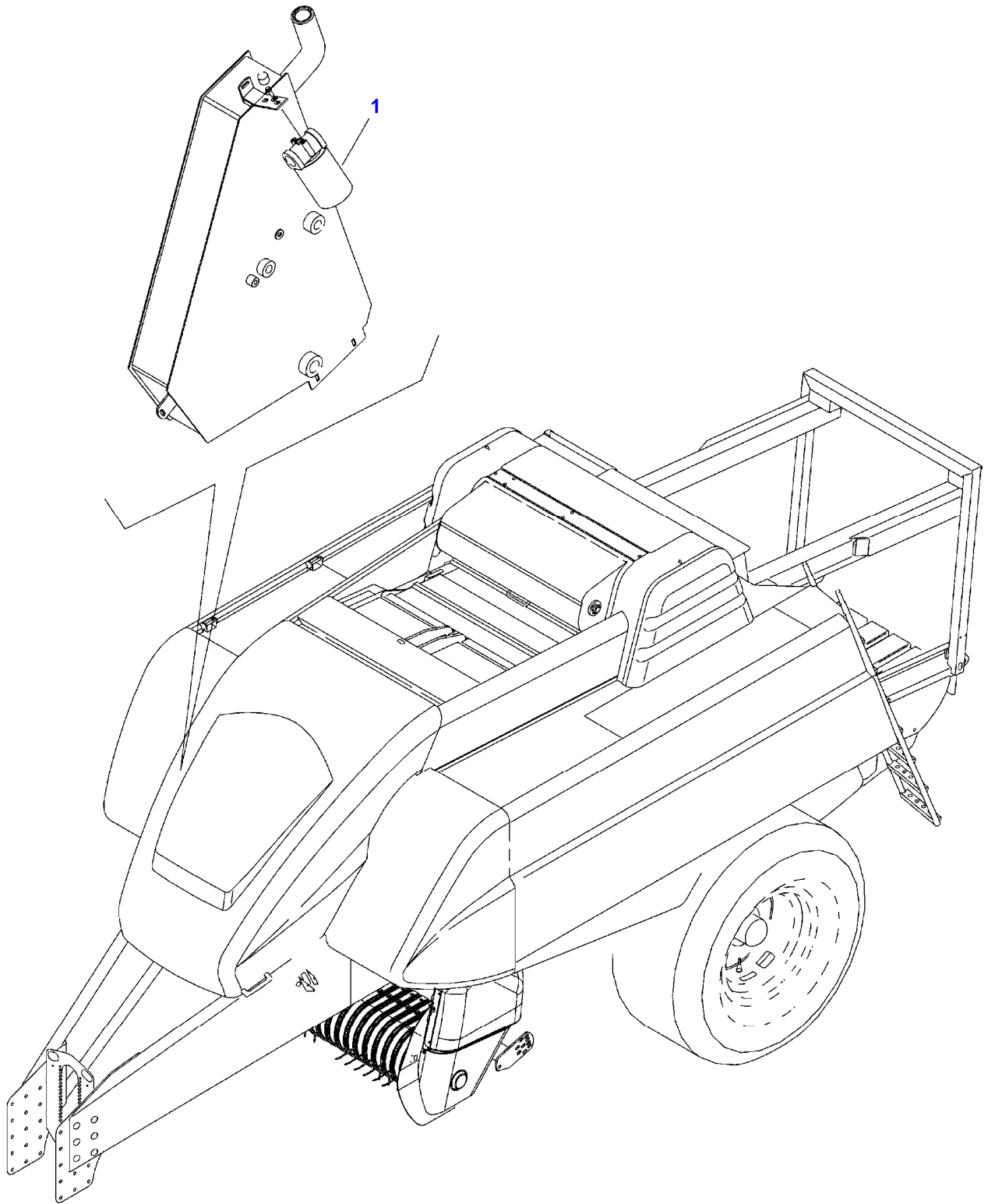
Page Number	Page Title	Page Reference
01-000-TOC	DRIVE SYSTEM	01-000-TOC
02-000-TOC	HYDRAULIC SYSTEM	02-000-TOC
03-000-TOC	ELECTRICAL SYSTEM	03-000-TOC
04-000-TOC	BALE FEEDING SYSTEM	04-000-TOC
05-000-TOC	BALE FORMING SYSTEM	05-000-TOC
06-000-TOC	BALE KNOTTING SYSTEM	06-000-TOC
07-000-TOC	BALE EJECTING SYSTEM	07-000-TOC
08-000-TOC	CHASSIS	08-000-TOC
09-000-TOC	DECALS	09-000-TOC
10-000-TOC	AXLES, SPINDLES, AND WHEELS	10-000-TOC
11-000-TOC	BRAKE SYSTEM	11-000-TOC
12-000-TOC	ACCESSORIES	12-000-TOC

DRIVE SYSTEM

Page01-000-TOC

Page Number	Page Title	Page Reference
01-0001	BELTS & FILTERS GUIDE	T13D23K32B0001
01-0002	MAIN DRIVE	T13D23K32B0005
01-0003	CLUTCH - FLYWHEEL - NON-XD	T13D23K32B0006
01-0004	CLUTCH - FLYWHEEL - XD	T13D23K32B0007
01-0005	DRIVE SHAFT	1592565
01-0006	SECONDARY DRIVE SHAFT - NON-XD	T13D23K32B0009
01-0007	SECONDARY DRIVE SHAFT - XD	T13D23K32B0010
01-0008	PRIMARY DRIVE SHAFT - CE	T13D23K32B0014
	1-3/8 INCH X 21 SPLINE	
01-0009	PRIMARY DRIVE SHAFT - CE	T13D23K32B0015
	1-3/4 INCH X 20 SPLINE	
01-0010	PRIMARY DRIVE SHAFT - CE - CE	2363604
	1-3/8 INCH X 21 SPLINE	
	WEASLER	
01-0011	PRIMARY DRIVE SHAFT - CE	2363605
	1-3/4 INCH X 20 SPLINE	
	WEASLER	
01-0012	BRAKE - FLYWHEEL	T13D23K32B0016
01-0013	MOUNTING - GEARBOX AND FLYWHEEL - NON-XD	1900243
01-0014	MOUNTING - GEARBOX AND FLYWHEEL - XD	1900244
01-0015	GEARBOX ASSEMBLY - NON-XD	1900427
01-0016	GEARBOX ASSEMBLY - XD	1900663
01-0017	AUXILIARY DRIVE - LEFT HAND	T13D23K32B0021
01-0018	AUXILIARY DRIVE - RIGHT HAND	T13D23K32B0022
01-0019	SHAFT AND SPROCKET - AUXILIARY	T13D23K32B0023
01-0020	SLIP CLUTCH - AUXILIARY	T13D23K32B0024
01-0021	DRIVE - CUTTER	1899522
01-0022	GEARBOX ASSEMBLY - CUTTER	T13D23K32B0026
01-0023	SLIP CLUTCH - CUTTER	1899521
01-0024	CHAIN LUBE	1499522
	WITHOUT CUTTER	
	EARLIER	
01-0025	CHAIN LUBE - CUTTER	1729205
	EARLIER	
01-0026	CHAIN LUBE	1957751
	WITHOUT CUTTER	
	LATER	
01-0027	CHAIN LUBE - CUTTER	1957752
	LATER	
01-0028	PUMP - CHAIN LUBE	1930164
	EARLIER	
01-0029	PUMP - CHAIN LUBE	1957753
	LATER	

1290N / 1290S / 1290NXD / 1290SXD LARGE RECTANGULAR BALER (S.N. GHBXX101 AND LATER)
1791895-H-1



1791895-H-1

<https://www.ebooklibonline.com>

Hello dear friend!

Thank you very much for reading.

Enter the link into your browser.

The full manual is available for immediate download.

<https://www.ebooklibonline.com>

Fendt

1290N / 1290S / 1290NXD / 1290SXD LARGE RECTANGULAR BALER (S.N. GHBXX101 AND
LATER)

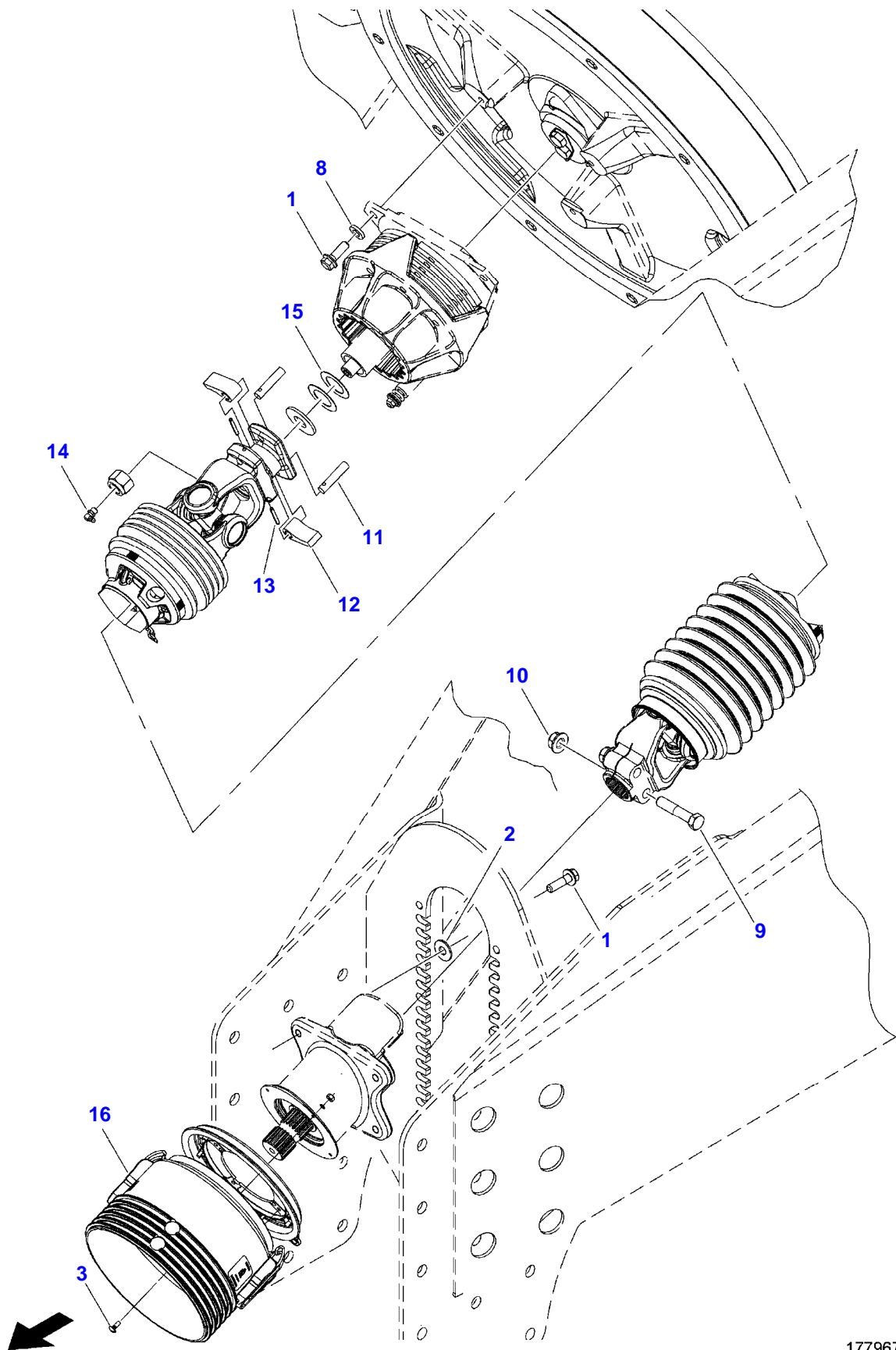
652011

BELTS & FILTERS GUIDE

Page01-0001

Item	Part Number	Qty	Description Comments
1	700738685	1	FILTER
	700738686	1	FILTER ELEMENT

1290N / 1290S / 1290NXD / 1290SXD LARGE RECTANGULAR BALER (S.N. GHBXX101 AND LATER)
1779671-H-1

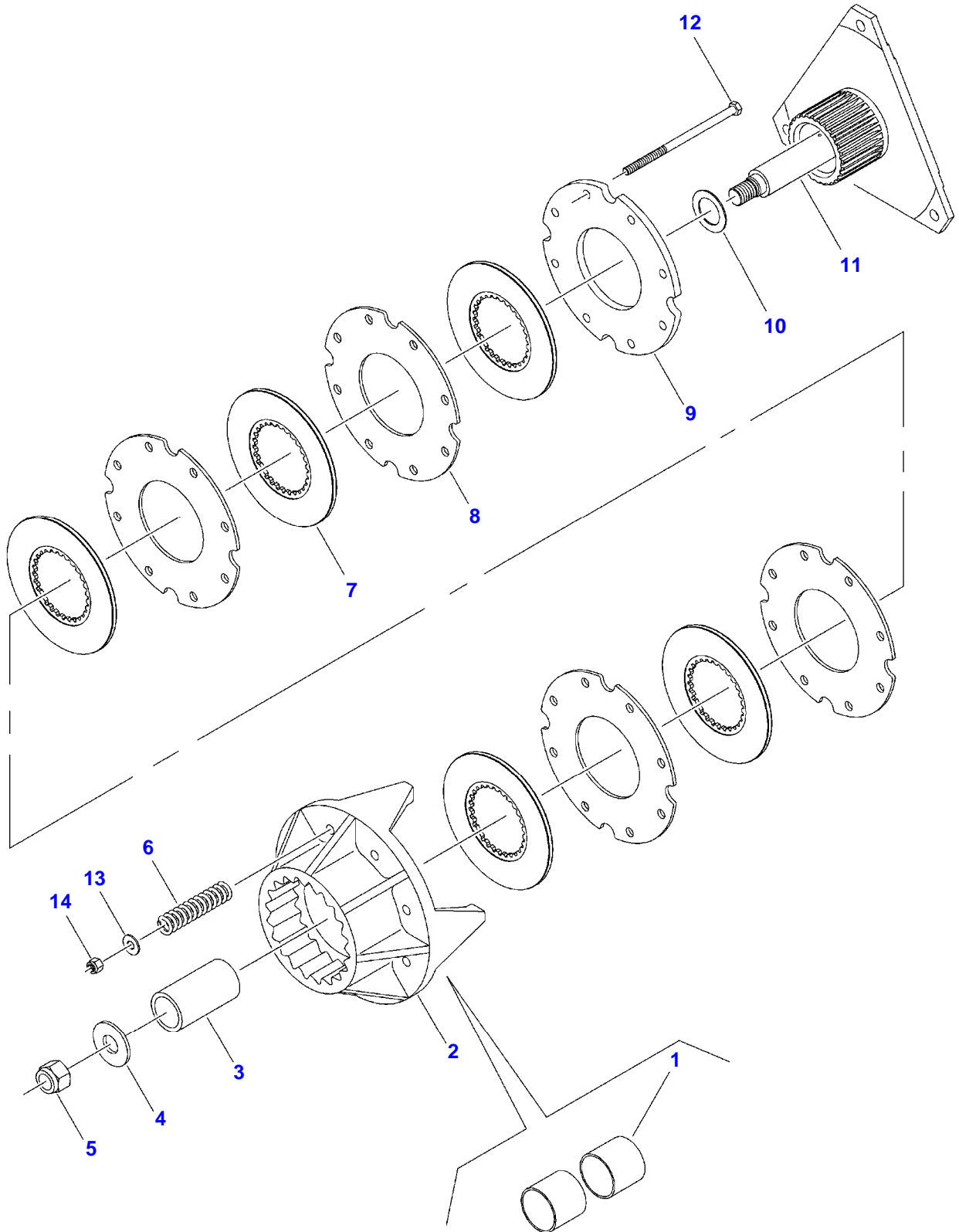


1779671-H-1

MAIN DRIVE

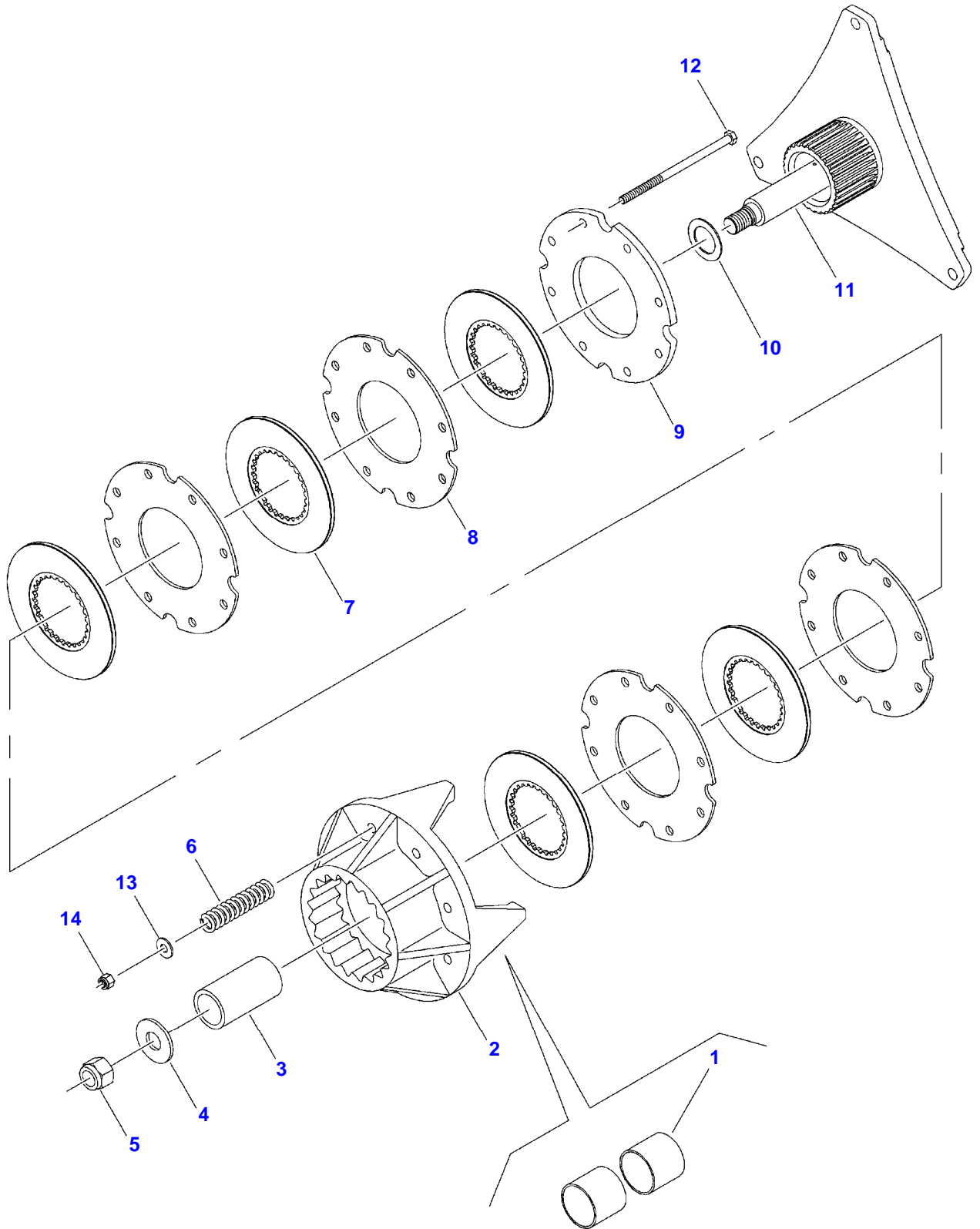
Item	Part Number	Qty	Description Comments	Technical Specification
1	3009222X1	4	HEXAGON FLANGE BOLT	M12 X 40 (1.75) ISO 10.9 ZN
2	700711557	4	FLAT WASHER	1/2"
3	3012141X1	4	HEXAGON FLANGE BOLT	M6 X 16 (1.0) ISO 8.8 ZN
8	71432183	3	WASHER	M12 - 1/2
9	70921597	2	SCREW	
10	700703922	2	HEX FLANGE LOCKNUT	5/8"-11
11	700113037	2	PAWL PIN	
12	700113036	2	CLUTCH PAWL	
13	N856869	2	SLOTTED SPRING PIN	3/16" X 1-1/2"
14	70915276	1	GREASE FITTING	1/8"-27, 90D
15	6522932	2	CLUTCH SHIM	1-13/32" ID X 2-1/4" OD
16	700744198	1	CONE SHIELD	

1290N / 1290S / 1290NXD / 1290SXD LARGE RECTANGULAR BALER (S.N. GHBXX101 AND LATER)
242964-H-1



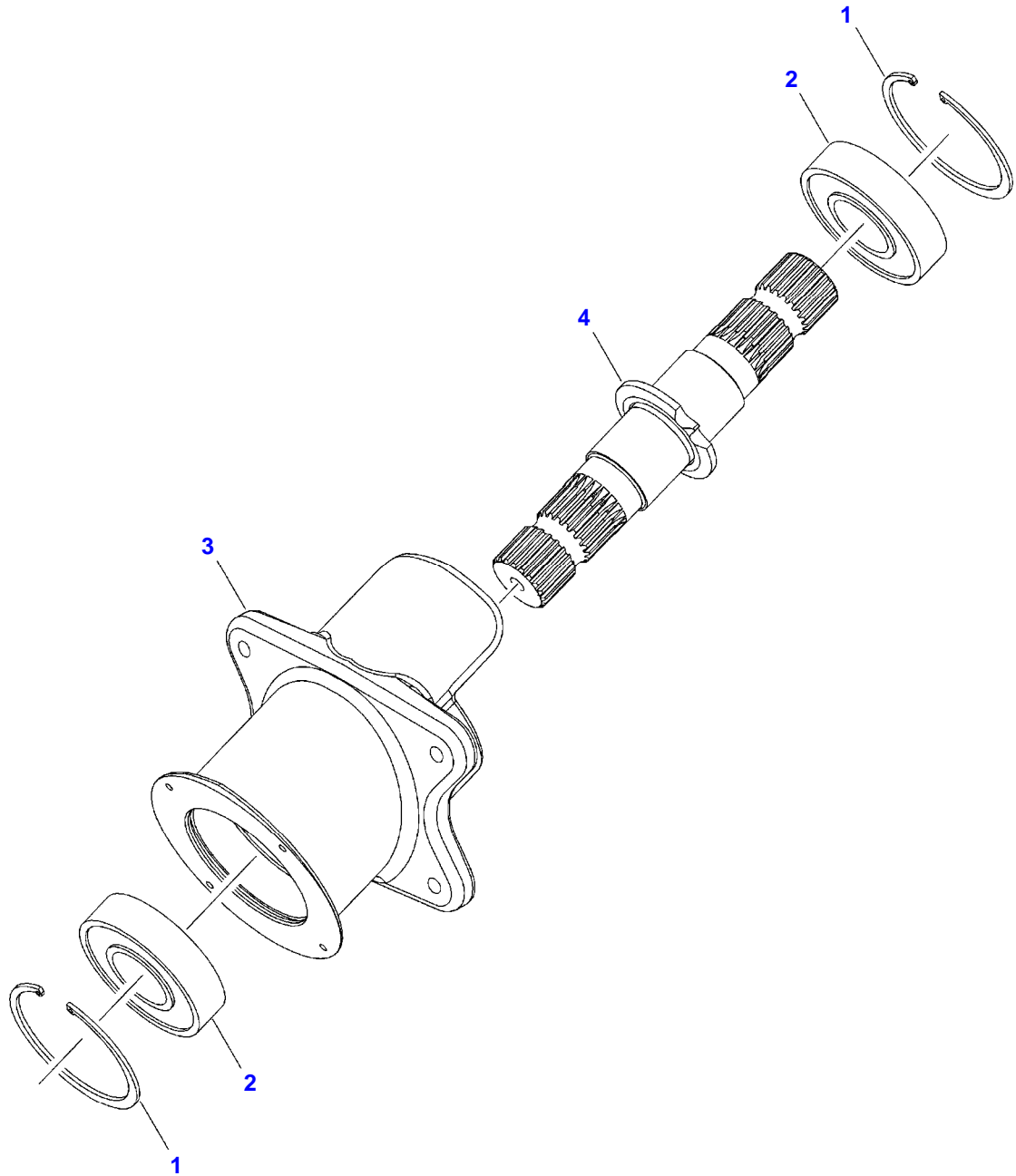
Item	Part Number	Qty	Description Comments	Technical Specification
1	7852114	2	BUSH	1-1/2" ID X 1-3/8", BRONZE
2	700164637	1	CLUTCH HOUSING	
	7852114	2	BUSH	1-1/2" ID X 1-3/8", BRONZE
3	6350805	1	HEADER PICKUP TUBE	2" OD X 3-3/4"
4	76521	1	FLAT WASHER	NON-PLATED, 7/8
5	700707250	1	HEX NUT	7/8"-14
6	858019	8	COMPRESSION SPRING	
7	700108820	5	FRICTION DISC	6-7/8" DIA
8	700112903	4	CLUTCH PLATE	
9	6522866	1	CLUTCH PLATE	
10	Y52274	1	BUSH	1-3/8" X 14 GAUGE
11	700193077	1	CLUTCH PILOT	
12	700732562	8	HEXAGONAL HEAD BOLT	3/8"-16 X 7-1/2", GR5
13	SN317	8	FLAT WASHER	3/8"
14	Y704734	8	FLANGE LOCKNUT	3/8"-16, GRG

1290N / 1290S / 1290NXD / 1290SXD LARGE RECTANGULAR BALER (S.N. GHBXX101 AND LATER)
1779694-H-1



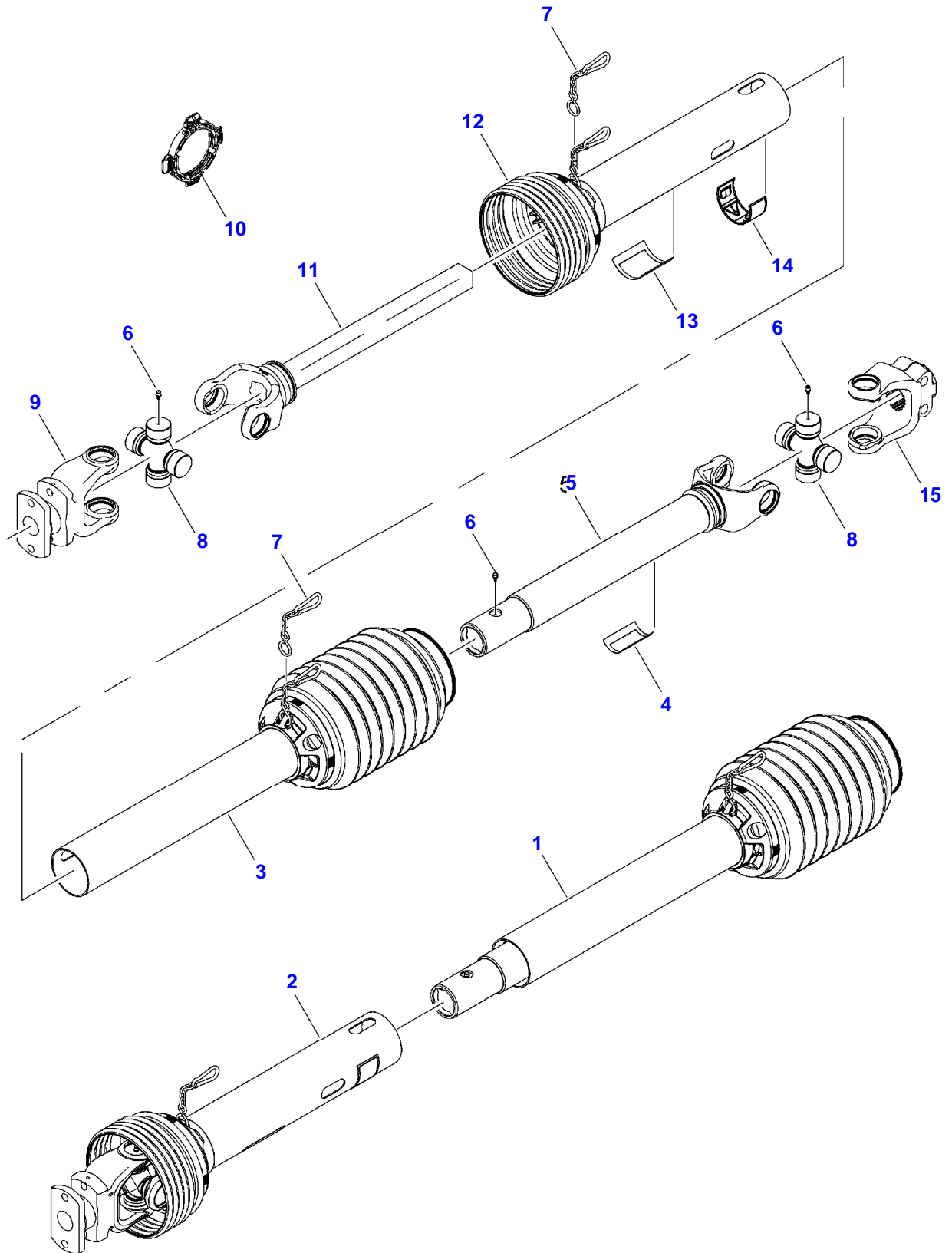
Item	Part Number	Qty	Description Comments	Technical Specification
1	7852114	2	BUSH	1-1/2" ID X 1-3/8", BRONZE
2	700164637	1	CLUTCH HOUSING	
	7852114	2	BUSH	1-1/2" ID X 1-3/8", BRONZE
3	6350805	1	HEADER PICKUP TUBE	2" OD X 3-3/4"
4	76521	1	FLAT WASHER	NON-PLATED, 7/8
5	700707250	1	HEX NUT	7/8"-14
6	858019	8	COMPRESSION SPRING	
7	700108820	5	FRICTION DISC	6-7/8" DIA
8	700112903	4	CLUTCH PLATE	
9	6522866	1	CLUTCH PLATE	
10	Y52274	1	BUSH	1-3/8" X 14 GAUGE
11	700177894	1	SHAFT	
12	700732562	8	HEXAGONAL HEAD BOLT	3/8"-16 X 7-1/2", GR5
13	SN317	8	FLAT WASHER	3/8"
14	704734	8	HEX FLANGE LOCKNUT	3/8"-16

1290N / 1290S / 1290NXD / 1290SXD LARGE RECTANGULAR BALER (S.N. GHBXX101 AND
LATER)
5878640-H-1



Item	Part Number	Qty	Description Comments	Technical Specification
1	355994X1	2	INTERNAL RETAINING RING	B.D.: 3.938" - PH
2	700721594	2	BALL BEARING	45 X 100 X 25MM
3	700744200	1	HOUSING SUPPORT	
4	700174791	1	DRIVE SHAFT	

1290N / 1290S / 1290NXD / 1290SXD LARGE RECTANGULAR BALER (S.N. GHBXX101 AND LATER)
242965-H-1

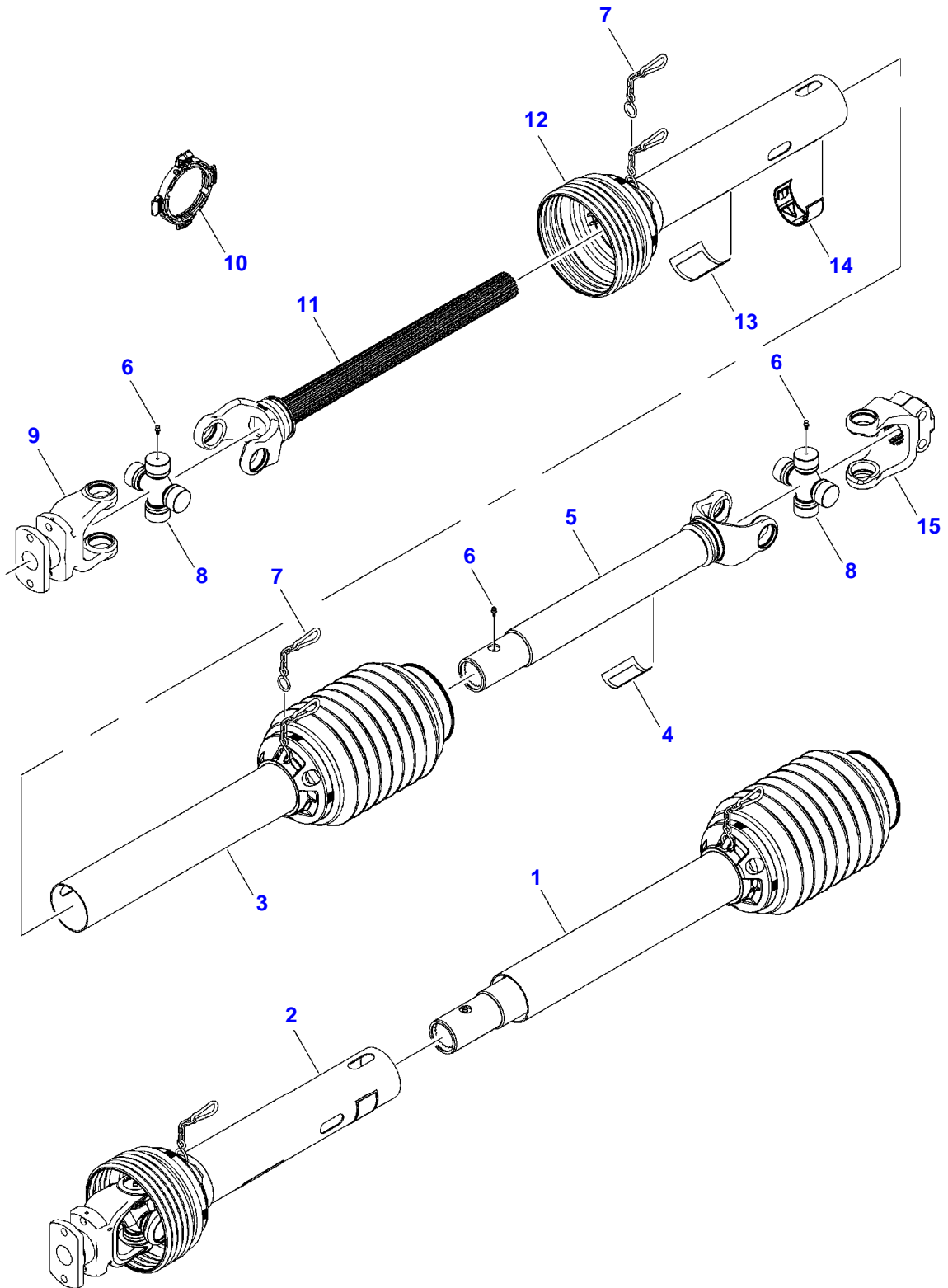


SECONDARY DRIVE SHAFT
NON-XD

Item	Part Number	Qty	Description Comments	Technical Specification
1	700724125	1	PTO HALF SHAFT	
2	700724123	1	PTO HALF SHAFT	
3	700724141	1	DRIVE-SHAFT SAFETY GUARD	
4	700747136	1	DANGER DECAL, SHIELD MISSING	127MM X 87MM
5	700724142	1	YOKE TUBE [A]	
6	70923219	3	GREASE FITTING	1/4"-28
7	700729055	2	KIT	
8	700724136	2	CROSS AND BEARING KIT	39MM DIA CAP, 109MM OL
	70923219	1	GREASE FITTING	1/4"-28
9	700706955	1	YOKE	
	1124697	1	BALL BEARING	25X47X12
	700706956	1	BUSH	35MM X 41MM X 32MM, BRONZE
	70927699	1	RETAINING RING	
	70915275	1	GREASE FITTING	1/4"-28, 65D
10	700723268	2	GUARD BUSHING KIT	NYLON
11	700724137	1	YOKE SHAFT	
12	700724140	1	DRIVE-SHAFT SAFETY GUARD [A]	
13	700747135	1	DANGER DECAL, ROTATING DRIVELINE	134MM X 95MM
14	700746100	1	WARNING DECAL	
15	700721794	1	YOKE	

[A] THE APPROPRIATE SAFETY DECALS MUST BE ORDERED AND FITTED TO THIS PART

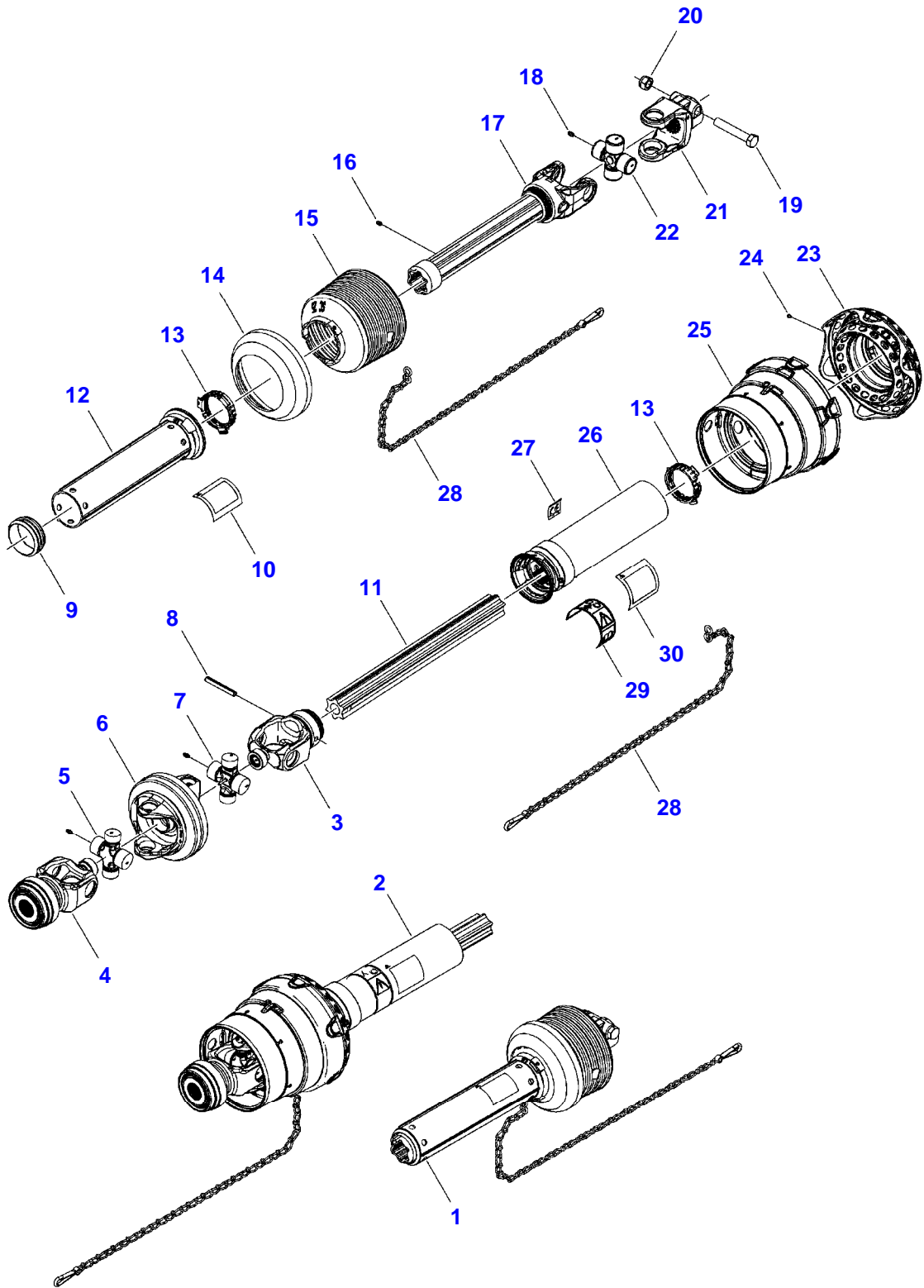
1290N / 1290S / 1290NXD / 1290SXD LARGE RECTANGULAR BALER (S.N. GHBXX101 AND LATER)
1779655-H-1



Item	Part Number	Qty	Description Comments	Technical Specification
1	700736940	1	PTO HALF SHAFT	1-3/4" X 1-11/16", 20 SPL
2	700736939	1	PTO HALF SHAFT	1-11/16" DIA SPLINE
3	700736747	1	GUARD	
4	700747136	1	DANGER DECAL, SHIELD MISSING	127MM X 87MM
5	700736938	1	YOKE [A]	TUBE&SLIP SLEEVE
6	70923219	3	GREASE FITTING	1/4"-28
7	700729055	2	KIT	
8	700724136	2	CROSS AND BEARING KIT	39MM DIA CAP, 109MM OL
	70923219	1	GREASE FITTING	1/4"-28
9	700736743	1	YOKE	
	1124697	1	BALL BEARING	25X47X12
	700706956	1	BUSH	35MM X 41MM X 32MM, BRONZE
	70927699	1	RETAINING RING	
	70915275	1	GREASE FITTING	1/4"-28, 65D
10	700723268	2	GUARD BUSHING KIT	NYLON
11	700736745	1	YOKE	1-11/16", 20 SPLINE
12	700736746	1	GUARD [A]	
13	700747135	1	DANGER DECAL, ROTATING DRIVELINE	134MM X 95MM
14	700746100	1	WARNING DECAL	
15	700736740	1	YOKE	1-3/4", 20 SPLINE

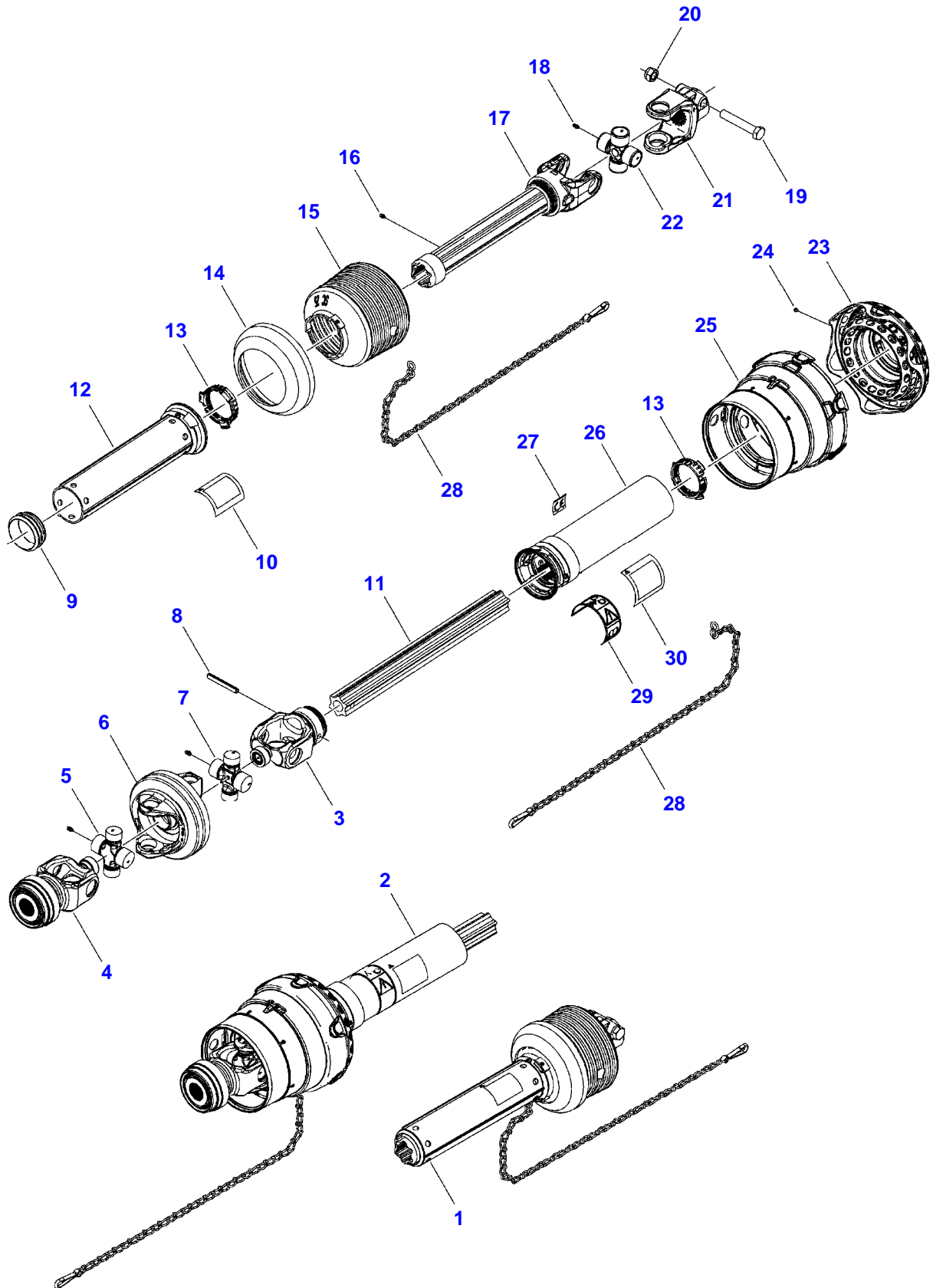
[A] THE APPROPRIATE SAFETY DECALS MUST BE ORDERED AND FITTED TO THIS PART

1290N / 1290S / 1290NXD / 1290SXD LARGE RECTANGULAR BALER (S.N. GHBXX101 AND LATER)
242854-H-1



Item	Part Number	Qty	Description Comments	Technical Specification
			1-3/8 INCH X 21 SPLINE	
1	700737113	1	PTO HALF SHAFT	1-3/4", 20 SPLINE
2	700735106	1	PTO HALF SHAFT	
3	700735112	1	YOKE	
4	700735109	1	YOKE	1-3/8", 21 SPLINE
	700735126	1	REPAIR KIT	LOCK
5	700735113	1	CROSS AND BEARING KIT	32 & 36MM DIA CAP, 112MM OL
6	700735110	1	DOUBLE YOKE	
7	700735111	1	CROSS AND BEARING KIT	32 & 36MM DIA CAP, 112MM OL
8	763847	1	SPRING PIN	10 X 75 MM
9	700735123	1	BEARING BRACKET	
10	700747136	1	DANGER DECAL, SHIELD MISSING	127MM X 87MM
11	700735114	1	INNER PROFILE SHAFT	
12	700737117	1	INNER GUARD [A]	
13	6581954	2	BEARING RING	
14	700735124	1	REINFORCING COLLAR	
15	700735122	1	CONE GUARD	7 RIB
16	700713262	1	GREASE FITTING	1/4"-28 X 9/16"
17	700737115	1	YOKE TUBE	IB (S5G)
18	1440838X1	3	GREASE NIPPLE	M6 CL5.8 ZN
19	339182X1	1	HEXAGONAL HEAD BOLT	M16 X 90 (2.0) ISO 8.8 ZN
20	1442739X1	1	HEX LOCKNUT	M16 (2.0) ISO 8 ZN
21	700737116	1	YOKE	1-3/4"-20 SPLINE
22	700735116	1	CROSS AND BEARING KIT	36MM DIA CAP, 89MM OL
23	700735121	1	GUARD CONE AND FLEX NET	
24	1077994M1	10	SCREW	
25	700735120	1	DRIVE-SHAFT SAFETY GUARD	
26	700735117	1	GUARD TUBE AND CAP [A]	
27	700735129	1	DECAL, CE	
28	71382485	2	SAFETY CHAIN	
29	700746100	1	WARNING DECAL	
30	700747135	1	DANGER DECAL, ROTATING DRIVELINE [A] THE APPROPRIATE SAFETY DECALS MUST BE ORDERED AND FITTED TO THIS PART	134MM X 95MM

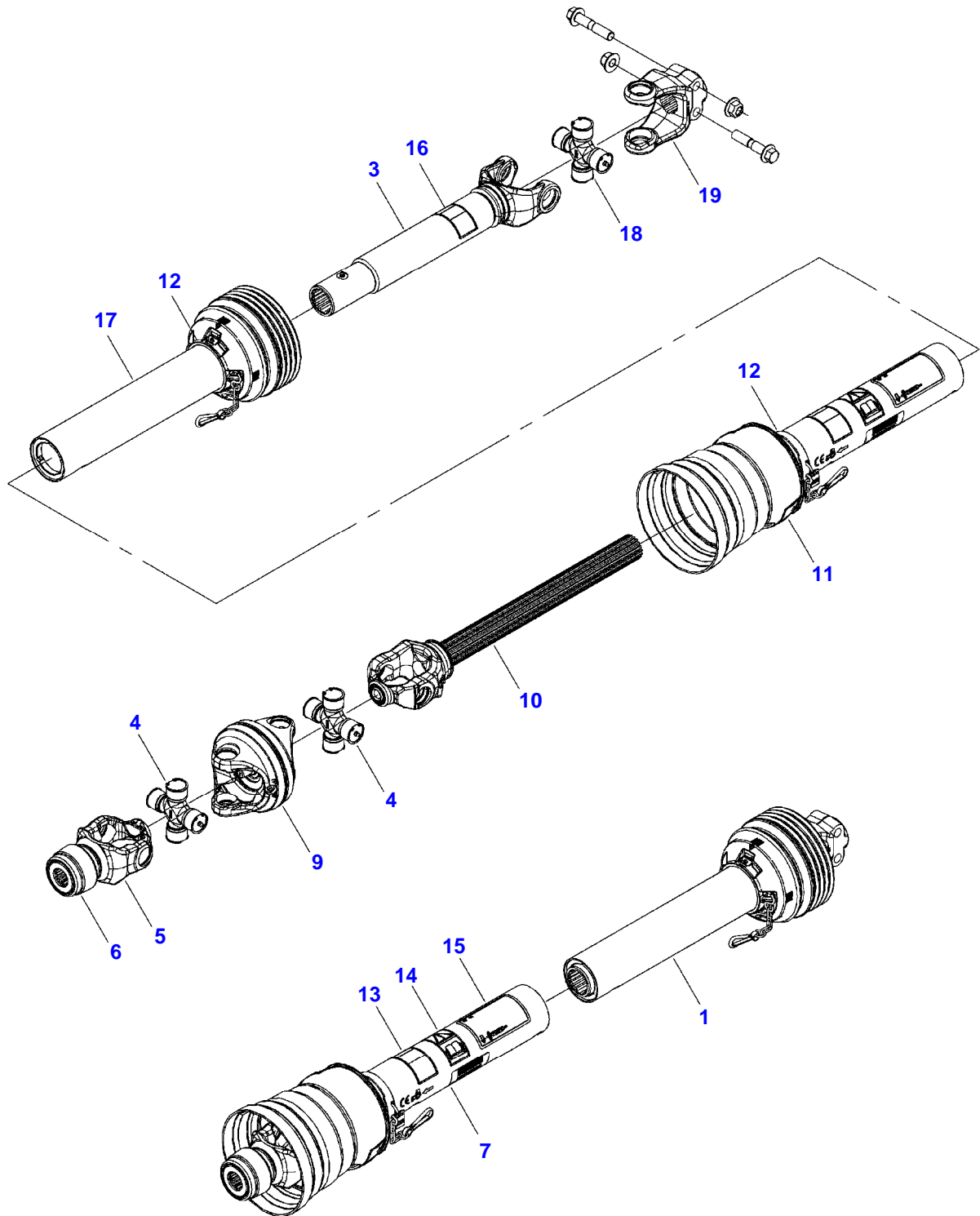
1290N / 1290S / 1290NXD / 1290SXD LARGE RECTANGULAR BALER (S.N. GHBXX101 AND LATER)
242734-H-1



242734-H-1

Item	Part Number	Qty	Description Comments	Technical Specification
1-3/4 INCH X 20 SPLINE				
1	700737113	1	PTO HALF SHAFT	1-3/4", 20 SPLINE
2	700735108	1	PTO HALF SHAFT	1-3/4", 20 SPLINE
3	700735112	1	YOKE	
4	700735127	1	YOKE	1-3/4", 20 SPLINE
	700735128	1	REPAIR KIT	LOCK
5	700735113	1	CROSS AND BEARING KIT	32 & 36MM DIA CAP, 112MM OL
6	700735110	1	DOUBLE YOKE	
7	700735111	1	CROSS AND BEARING KIT	32 & 36MM DIA CAP, 112MM OL
8	763847	1	SPRING PIN	10 X 75 MM
9	700735123	1	BEARING BRACKET	
10	700747136	1	DANGER DECAL, SHIELD MISSING	127MM X 87MM
11	700735114	1	INNER PROFILE SHAFT	
12	700737117	1	INNER GUARD [A]	
13	6581954	2	BEARING RING	
14	700735124	1	REINFORCING COLLAR	
15	700735122	1	CONE GUARD	7 RIB
16	700713262	1	GREASE FITTING	1/4"-28 X 9/16"
17	700737115	1	YOKE TUBE	IB (S5G)
18	1440838X1	3	GREASE NIPPLE	M6 CL5.8 ZN
19	339182X1	1	HEXAGONAL HEAD BOLT	M16 X 90 (2.0) ISO 8.8 ZN
20	1442739X1	1	HEX LOCKNUT	M16 (2.0) ISO 8 ZN
21	700737116	1	YOKE	1-3/4"-20 SPLINE
22	700735116	1	CROSS AND BEARING KIT	36MM DIA CAP, 89MM OL
23	700735121	1	GUARD CONE AND FLEX NET	
24	1077994M1	10	SCREW	
25	700735120	1	DRIVE-SHAFT SAFETY GUARD	
26	700735117	1	GUARD TUBE AND CAP [A]	
27	700735129	1	DECAL, CE	
28	71382485	2	SAFETY CHAIN	
29	700746100	1	WARNING DECAL	
30	700747135	1	DANGER DECAL, ROTATING DRIVELINE [A] THE APPROPRIATE SAFETY DECALS MUST BE ORDERED AND FITTED TO THIS PART	134MM X 95MM

1290N / 1290S / 1290NXD / 1290SXD LARGE RECTANGULAR BALER (S.N. GHBXX101 AND LATER)
21405739-H-1



Item	Part Number	Qty	Description Comments	Technical Specification
			1-3/8 INCH X 21 SPLINE WEASLER	
1	700742395	1	PTO HALF SHAFT	1-3/4-20 SPLINE
3	700742403	1	YOKE TUBE	
4	700742398	2	CROSS PIECE	
5	700742124	1	YOKE	
6	700742406	1	AUTO LOCK REPAIR KIT	
7	700742404	1	U-JOINT	
9	700736299	1	CONSTANT VELOCITY HOUSING	CENTER
10	700742399	1	YOKE AND SHAFT	
11	700742400	1	OUTER GUARD	
12	700723268	1	GUARD BUSHING KIT	NYLON
13	700747135	1	DANGER DECAL, ROTATING DRIVELINE	134MM X 95MM
14	700736303	1	WARNING DECAL, CE	CE
15	700742401	1	DECAL, LUBE	
16	700747136	1	DANGER DECAL, SHIELD MISSING	127MM X 87MM
17	700742402	1	INNER GUARD	
18	700724136	1	CROSS AND BEARING KIT	39MM DIA CAP, 109MM OL
19	700736740	1	YOKE	1-3/4", 20 SPLINE



Suggest:

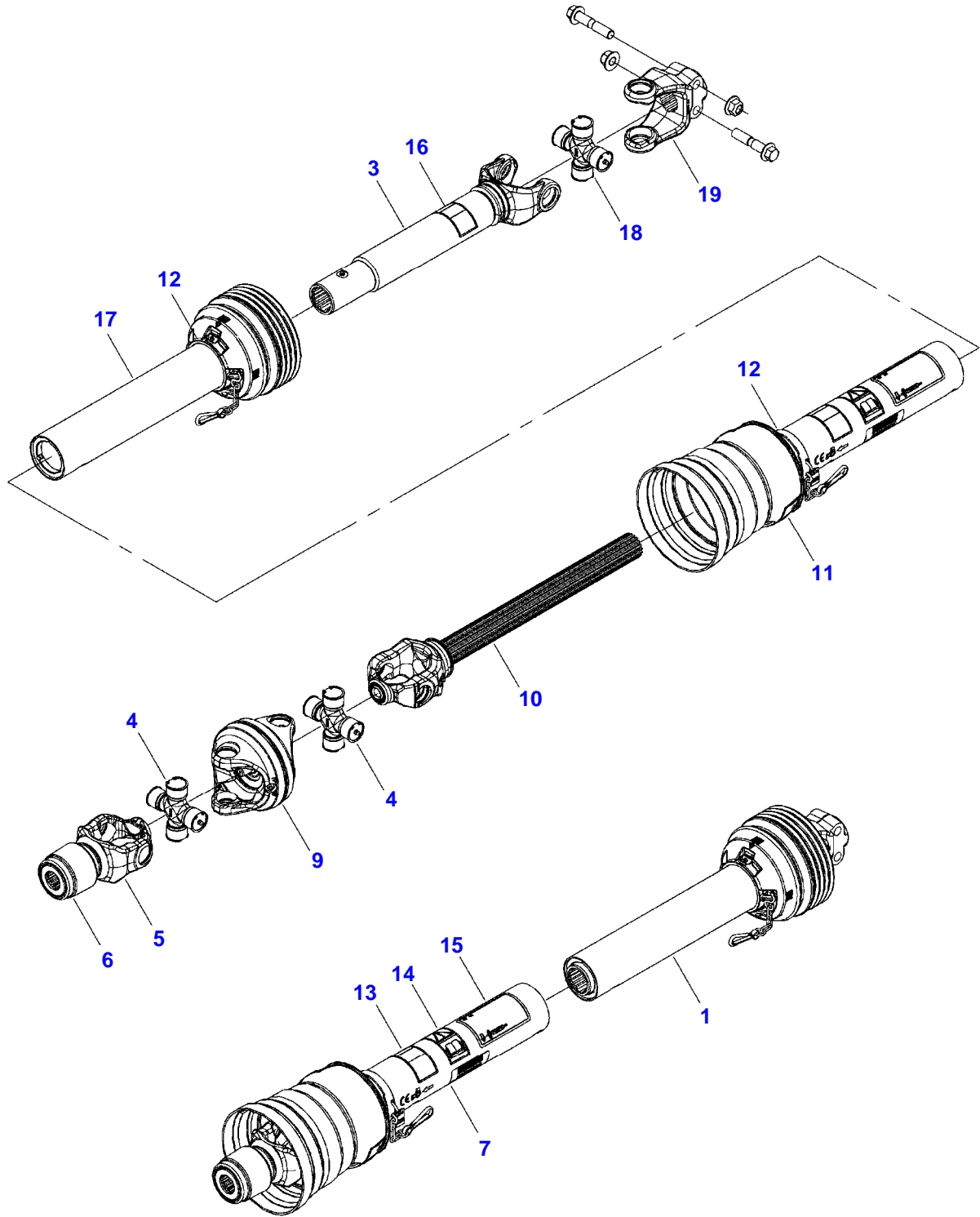
For more complete manuals. Please go to the home page.

<https://www.ebooklibonline.com>

If the above button click is invalid. Please download this document first, and then click the above link to download the complete manual.

Thank you so much for reading

1290N / 1290S / 1290NXD / 1290SXD LARGE RECTANGULAR BALER (S.N. GHBXX101 AND LATER)
20153559-H-1



Item	Part Number	Qty	Description Comments	Technical Specification
			1-3/4 INCH X 20 SPLINE WEASLER	
1	700742395	1	PTO HALF SHAFT	1-3/4-20 SPLINE
3	700742403	1	YOKE TUBE	
4	700742398	2	CROSS PIECE	
5	700742396	1	YOKE	
6	700711425	1	REPAIR KIT	1-3/4" X 20 SPLINE
7	700742393	1	PTO HALF SHAFT	1-3/4-20 SPLINE
9	700736299	1	CONSTANT VELOCITY HOUSING	CENTER
10	700742399	1	YOKE AND SHAFT	
11	700742400	1	OUTER GUARD	
12	700723268	1	GUARD BUSHING KIT	NYLON
13	700747135	1	DANGER DECAL, ROTATING DRIVELINE	134MM X 95MM
14	700736303	1	WARNING DECAL, CE	CE
15	700742401	1	DECAL, LUBE	
16	700747136	1	DANGER DECAL, SHIELD MISSING	127MM X 87MM
17	700742402	1	INNER GUARD	
18	700724136	1	CROSS AND BEARING KIT	39MM DIA CAP, 109MM OL
19	700736740	1	YOKE	1-3/4", 20 SPLINE

<https://www.ebooklibonline.com>

Hello dear friend!

Thank you very much for reading.

Enter the link into your browser.

The full manual is available for immediate download.

<https://www.ebooklibonline.com>