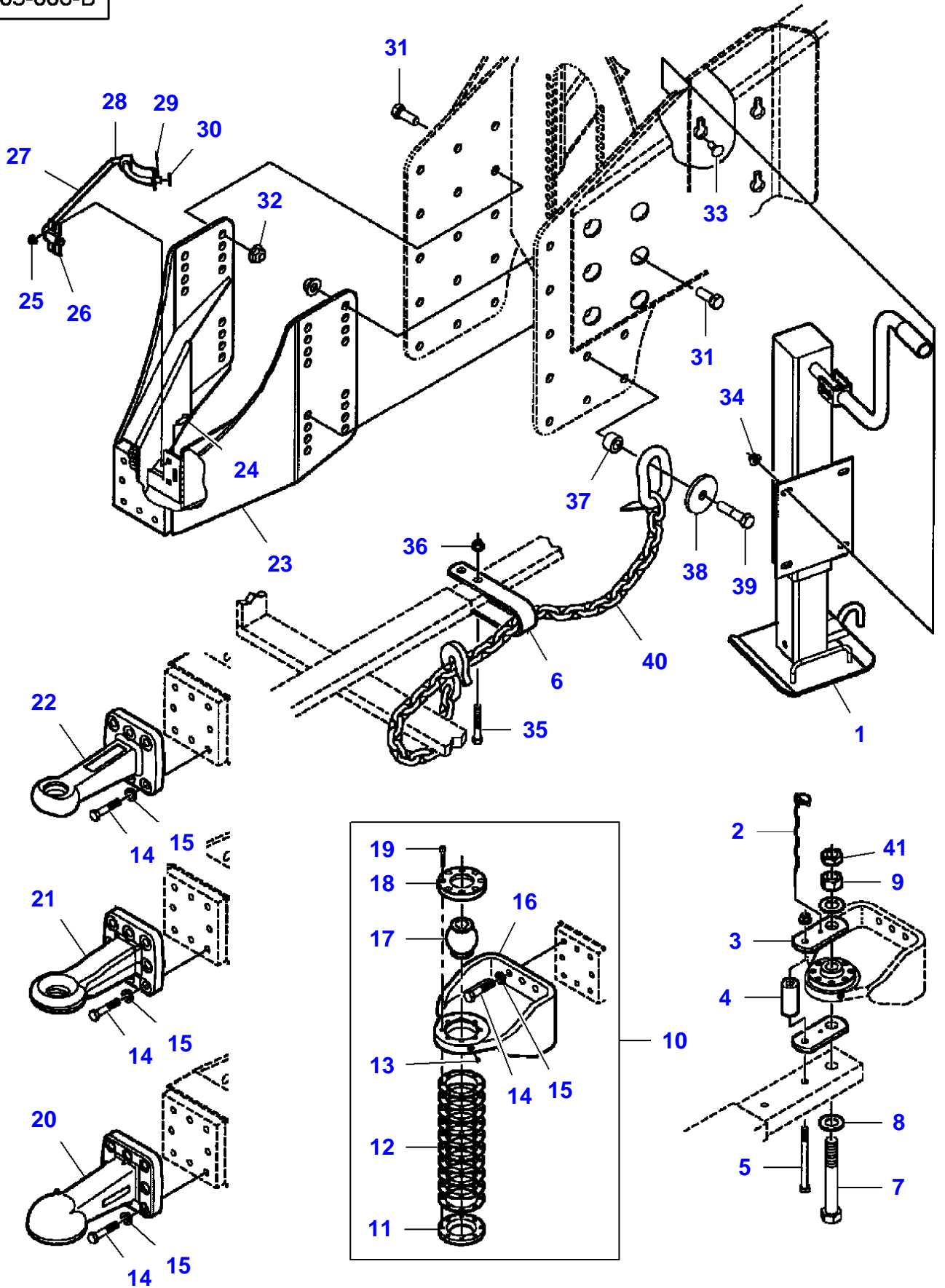


Page Title	Page Number
Linkage - Safety Chain	010-0005
Transmission	010-0010
Transmission - Drive Shaft	010-0015
Transmission - Secondary	010-0020
Transmission - C.E - Type 2 1"-3/8 X 21 Splines - Auto Lock - Up To A.H.B 04100	010-0025
Transmission - C.E - Type 2 1"-3/8 X 21 Splines - Auto Lock - From A.H.B 04101	010-0030
Transmission - C.E - Type 3 1"-3/4 X 20 Splines - Auto Lock - Up To A.H.B 04100	010-0035
Transmission - C.E - Type 3 1"-3/4 X 20 Splines - Auto Lock - From A.H.B 04101	010-0040
Transmission - Flywheel	010-0045
Transmission - Flywheel Brake	010-0050
Transmission - Flywheel Clutch	010-0055
Gearbox - Attachment	010-0060
Gearbox	010-0065
Chain Drive - Left Side - Up To H.T 74262	010-0070
Chain Drive - Left Side - From H.T 74263 - Up To A.H.B 04305	010-0075
Chain Drive - Left Side - From A.H.B 04306	010-0080
Chain Drive - Right Side	010-0085
Chain Drive	010-0090
Chain Drive - Clutch	010-0095
"Cutter" Drive Assembly - Left	010-0100
"Cutter" Drive Assembly - Left - Clutch	010-0105
Gearbox - "Cutter"	010-0110

5-BA03-006-B



Linkage - Safety Chain

Item	Part Number	Qty	Description	Comments
1	700727157	1	Jack	
	700720180	1	Kit, Hardware	(1)
	700720181	1	Grip	(1)
2	Y762260	1	Pin	
3	1663161	2	Plate	
4	1663162	1	Spacer	
5	700716624	1	Hex Cap Screw	5/8"-11 X 7-1/2
	700703922	1	Locknut	5/8"-11
6	700113646	1	Clevis	
7	700124041	1	Hex Cap Screw	1"-1/4-7 X 9
8	7705197	2	Washer	
9	7704653	1	Nut	
10	700164425	1	Kit, Hitch	
11	1663158	1	Ring	(10)
12	1663163	10	Shim	(10)
13	70923219	1	Grease Fitting	(10) 1/4"-28
14	339881X1	28	Hex Cap Screw	(10) M16 X 60
15	700708348	28	Lock Washer	(10) M16
16	700164420	1	Hitch	(10)
17	1663159	1	Ball	(10)
18	1663157	1	Ring	(10)
19	70912269	8	Hex Socket Screw	(10) 3/8"-16 X 2
20	700721590	1	Coupling	
21	700723357	1	Coupling	
22	700721591	1	Coupling	
23	700142415	1	Hitch	
24	7883382	2	Hex Cap Screw	3/8"-16 X 1
25	Y704734	2	Locknut	3/8"-16
26	700143155	1	Clamp	
27	700143154	1	Rod	
28	700143158	1	Strap	
29	354057X1	1	Split Pin	1/8" X 3/4
30	Y705624	1	Flat Washer	1/2"
31	700721715	6	Hex Cap Screw	3/4"-10 X 2
32	700703923	6	Locknut	3/4"-10
33	68619	4	Carriage Bolt	1/2"-13 X 1-1/4
34	700714586	4	Nut	1/2"-13
35	354294X1	1	Hex Cap Screw	5/8"-11 X 3-3/4
36	70926937	1	Locknut	5/8"-11
37	700139417	1	Bush	
38	6579106	1	Cap	
39	W907183-4	1	Hex Cap Screw	3/4"-10 X 3-3/4
	700703923	1	Locknut	3/4"-10
40	700720132	1	Chain	
41	704585	1	Nut	

<https://www.ebooklibonline.com>

Hello dear friend!

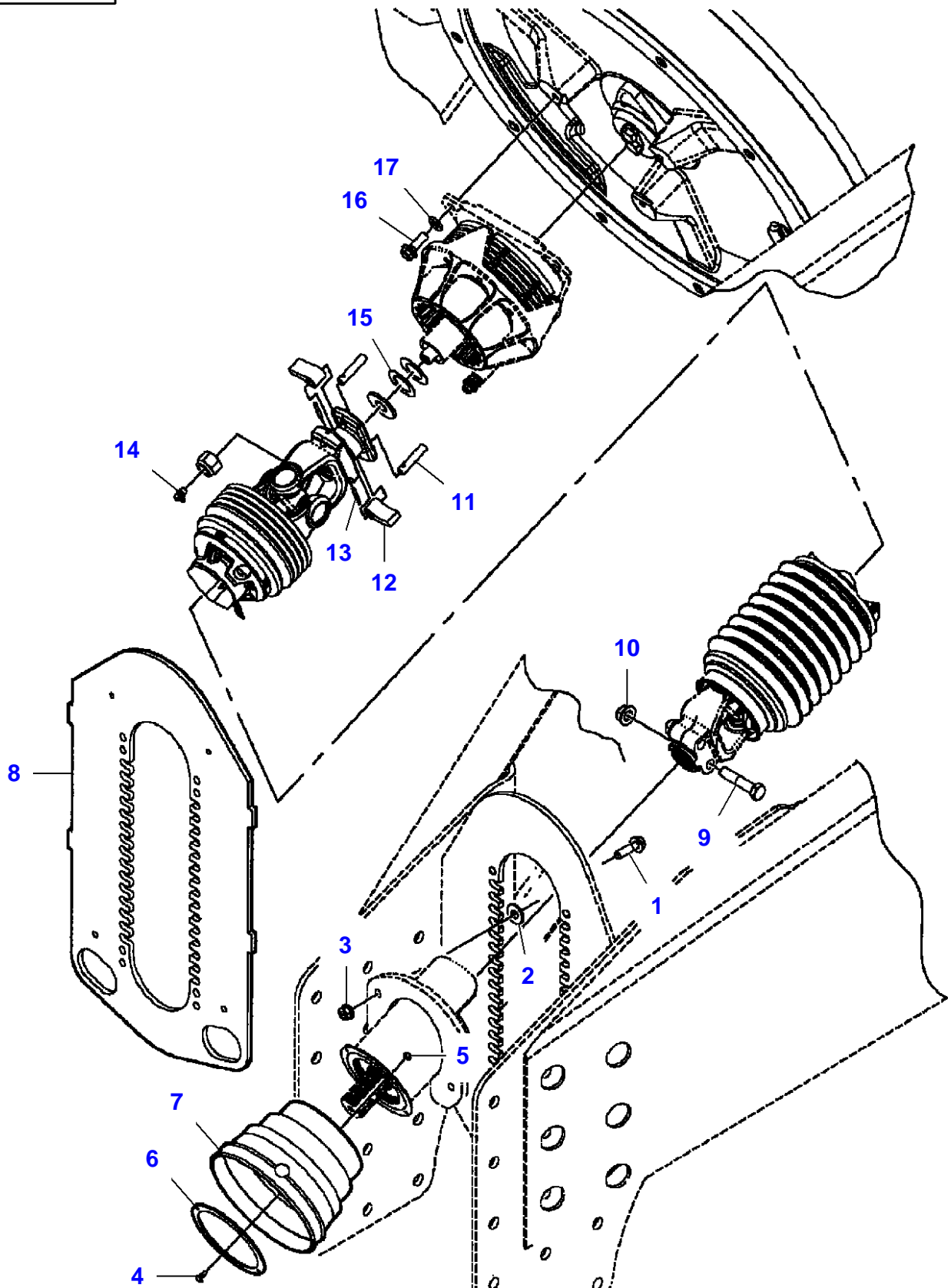
Thank you very much for reading.

Enter the link into your browser.

The full manual is available for immediate download.

<https://www.ebooklibonline.com>

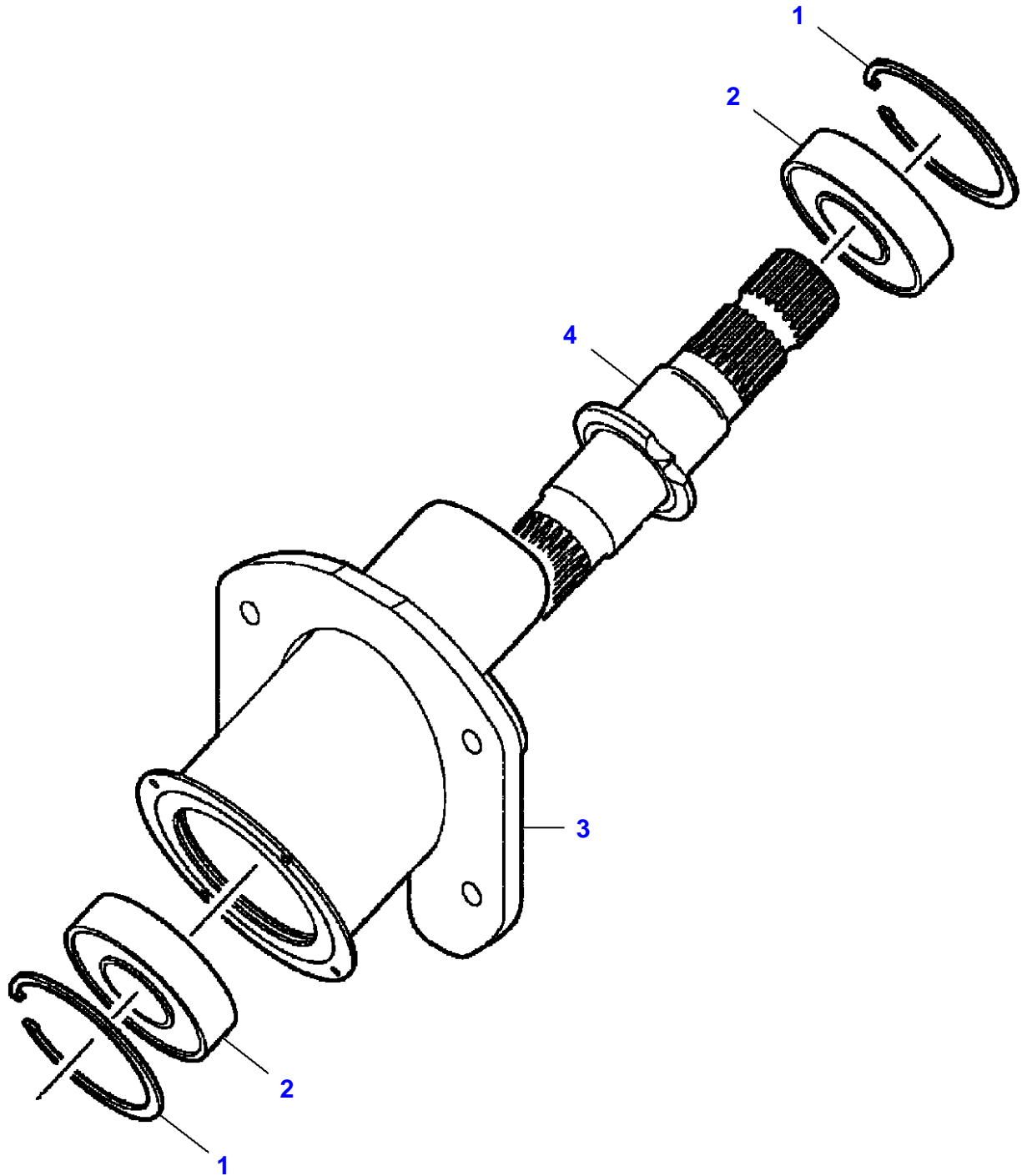
5-BA01-091-A



Transmission

Item	Part Number	Qty	Description	Comments
1	7883432	8	Hex Cap Screw	1/2"-13 X 1-3/4
2	700711557	8	Flat Washer	1/2"
3	700714586	8	Nut	1/2"-13
4	700708646	4	Screw	No 12-24 X 5/8
5	700705521	4	Locknut	No 12-24
6	700143340	1	Flange	
7	700729081	1	Cone	
8	700141617	1	Plate	
9	700708270	2	Hex Cap Screw	5/8"-11 X 3
10	700703922	2	Locknut	5/8"-11
11	700113037	2	Pin	
12	700113036	2	Pawl	
13	N856869	2	Roll Pin	3/16" X 1-1/2
14	77115	1	Grease Fitting	1/8"-27 X 90?
15	6522932	2	Shim	
16	8701237	3	Hex Cap Screw	1/2"-13 X 1-1/2
17	705541	3	Flat Washer	1/2"

5-BA01-072-A



Fendt

1290 / 1290 S MEDIUM SQUARE BALER - |---> HS 74101 - 3906199

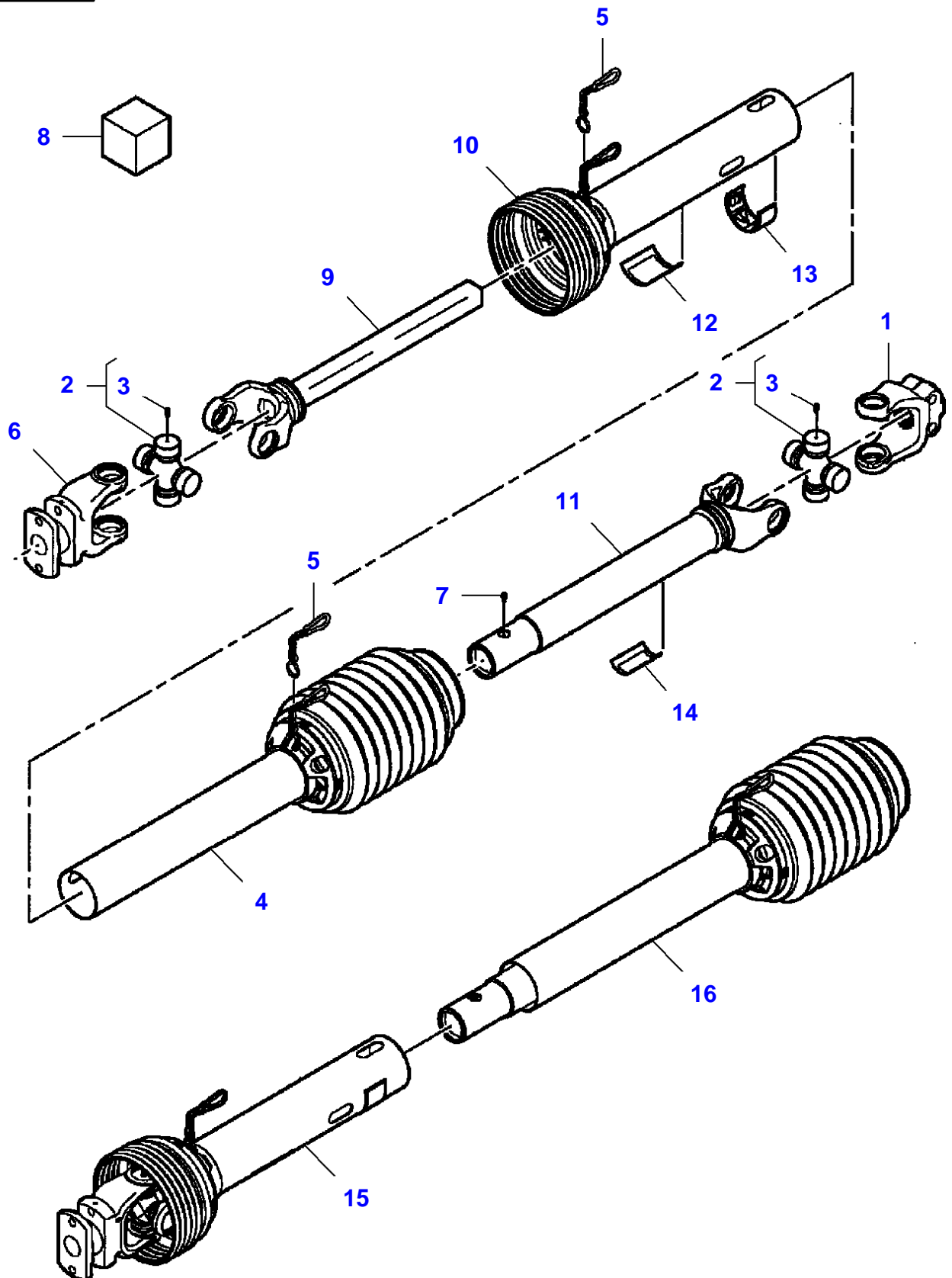
3906199

Transmission - Drive Shaft

Page010-0015

Item	Part Number	Qty	Description	Comments
1	355994X1	2	Circlip	
2	700721594	2	Bear. 6309 2RS	
3	700144490	1	Support	
4	700174791	1	Shaft	Repairs and replaces 700144004

5-BA01-073-B

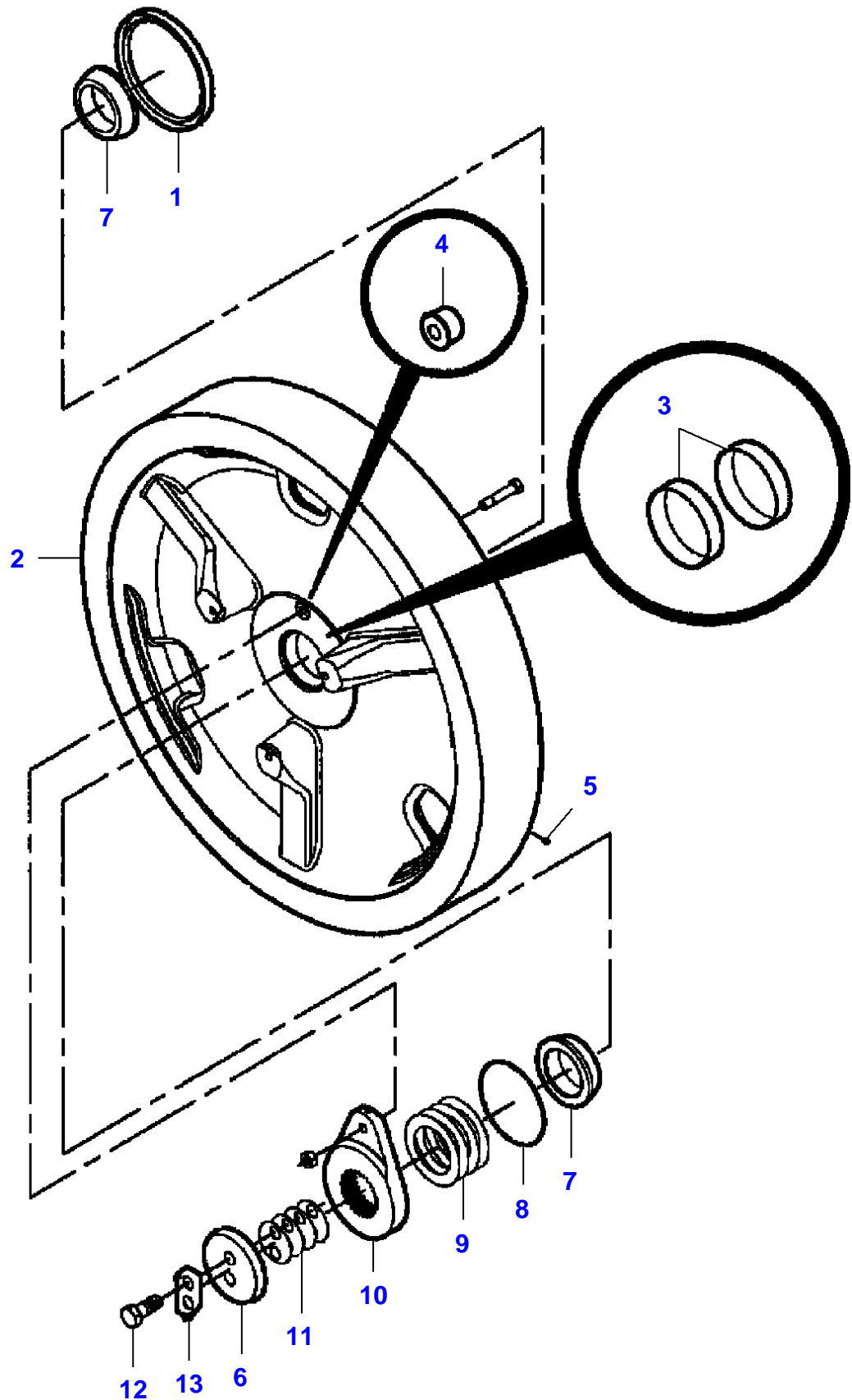


Transmission - Secondary

Item	Part Number	Qty	Description	Comments
1	700721794	1	Yoke	
2	700724136	2	Spider	
3	70923219	1	Grease Fitting	(2) 1/4"-28
4	700724141	1	Guard	
5	700720152	2	Kit, Chain	
6	700706955	1	Yoke	
	1124697	1	Bear. 6005 RS	(6)
	700706956	1	Bearing	(6)
	70927699	1	Snapping	(6)
	70915275	1	Grease Fitting	(6) 1/8"-27 X 65?
7	70923219	1	Grease Fitting	1/4"-28
8	700723268	1	Kit, Repair	
9	700724137	1	Yoke	
10	700724140	1	Guard	[A]
11	700724142	1	Yoke	[A]
12	700707960	1	Decal	"Danger PTO"
13	700728658	1	Decal	"Warning CE"
14	210371	1	Decal	"Danger"
15	700724123	1	Universal Joint	
16	700724125	1	Universal Joint	

FOOTNOTE [A] THE APPROPRIATE SAFETY DECALS MUST BE ORDERED AND FITTED TO THIS PART

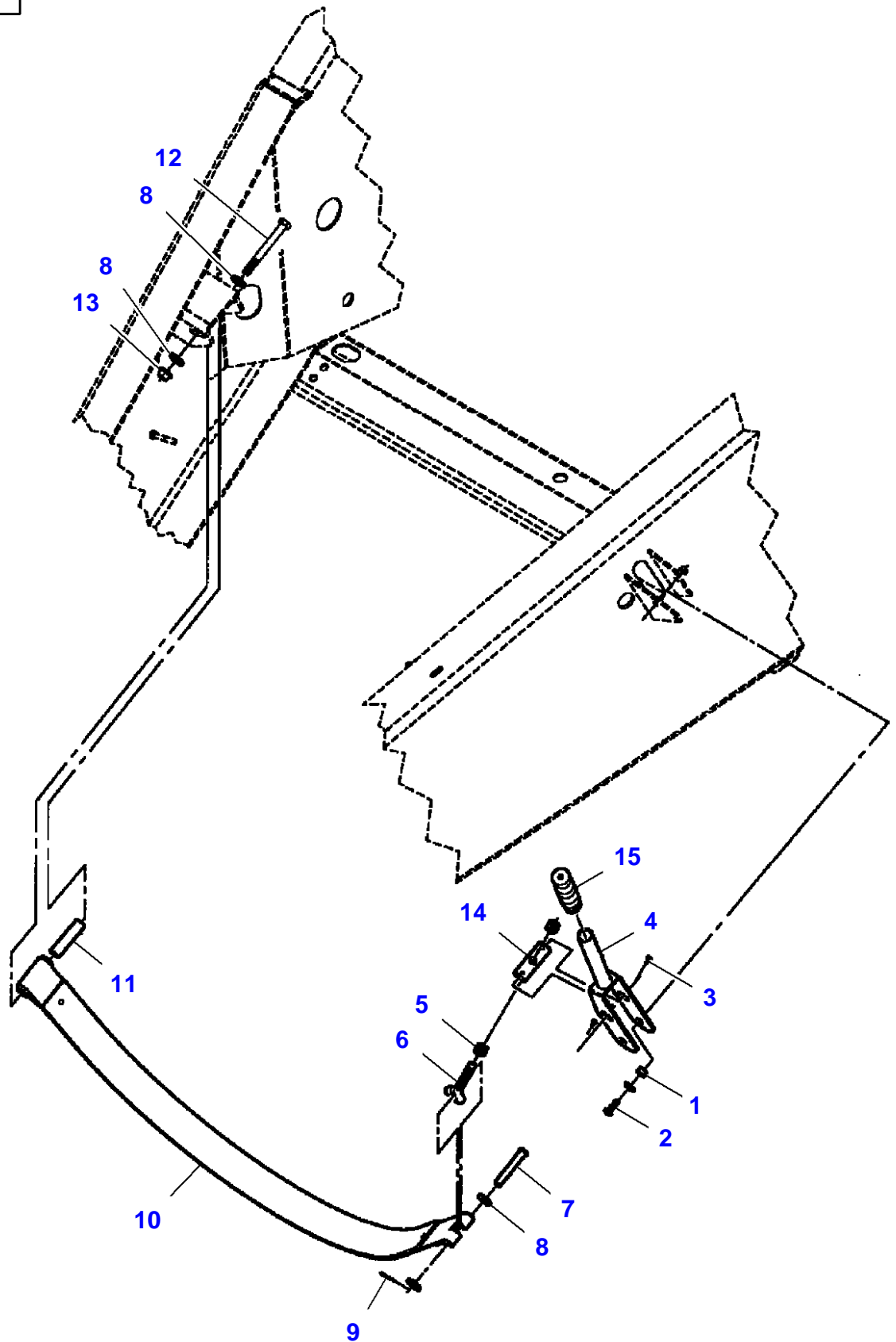
5-BA01-079-B



Transmission - Flywheel

Item	Part Number	Qty	Description	Comments
1	700706045	1	Seal	
2	700141072	1	Flywheel Assy.	
3	700706038	2	Bearing Cup	(2)
4	7852718	1	Sleeve	(2)
5	70923219	1	Grease Fitting	1/4"-28
6	700113044	1	Cap	
7	700706039	2	Bearing Cone	
8	700706050	1	O Ring	
9	700706056	X	Shim	Thickness .003
	700706057	X	Shim	Thickness .005
	700706058	X	Shim	Thickness .010
	700707991	X	Shim	.020
10	700143193	1	Hub	
	700728938	1	Plunger	(10)
11	700706059	X	Shim	Thickness .003
	700706060	X	Shim	Thickness .005
	700706061	X	Shim	Thickness .010
	700707993	X	Shim	Thickness .020
12	700708355	2	Hex Cap Screw	M16 X 40
13	700113045P	1	Locking Plate	

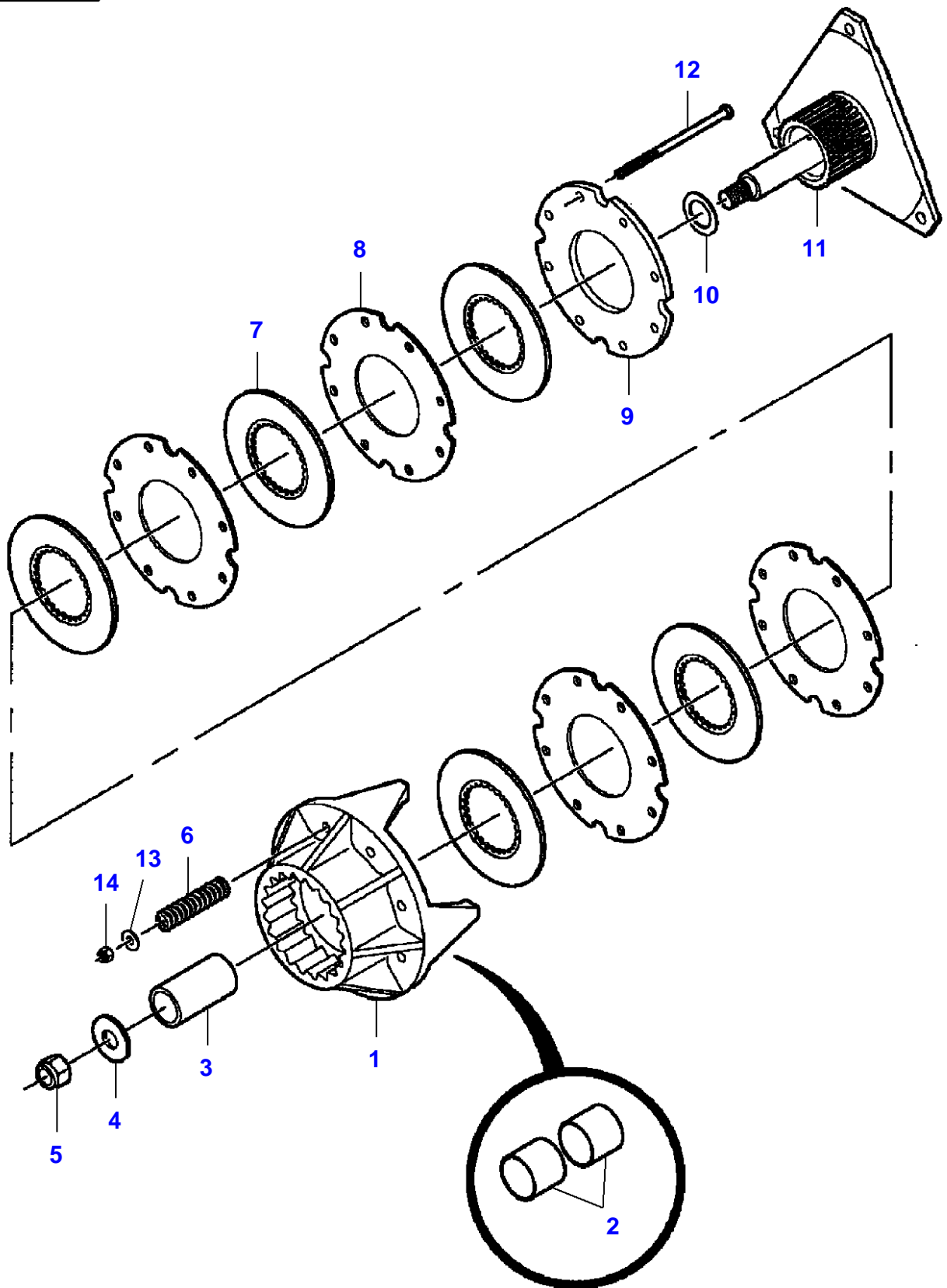
5-BA01-078-A



Transmission - Flywheel Brake

Item	Part Number	Qty	Description	Comments
1	6489231	2	Spacer	
2	353691X1	2	Hex Cap Screw	3/8"-16 X 1
	Y705533	2	Flat Washer	3/8"
	Y704734	2	Locknut	3/8"-16
3	354080X1	2	Split Pin	3/16" X 1-1/2
4	700113054	1	Grip	
5	7704752	2	Nut	1/2"-13
6	766667	1	Eye Bolt	1/2"-13 X 10
7	63883	1	Clevis Pin	1/2" X 3
8	705541	4	Flat Washer	1/2"
9	70918455	1	Split Pin	5/32" X 1
10	700113058	1	Brake	
11	6524003	1	Spacer	
12	354667X1	1	Hex Cap Screw	1/2"-13 X 4-1/2
13	Y704742	1	Locknut	1/2"-13
14	700113057	1	Pin	
15	27342	1	Handle	

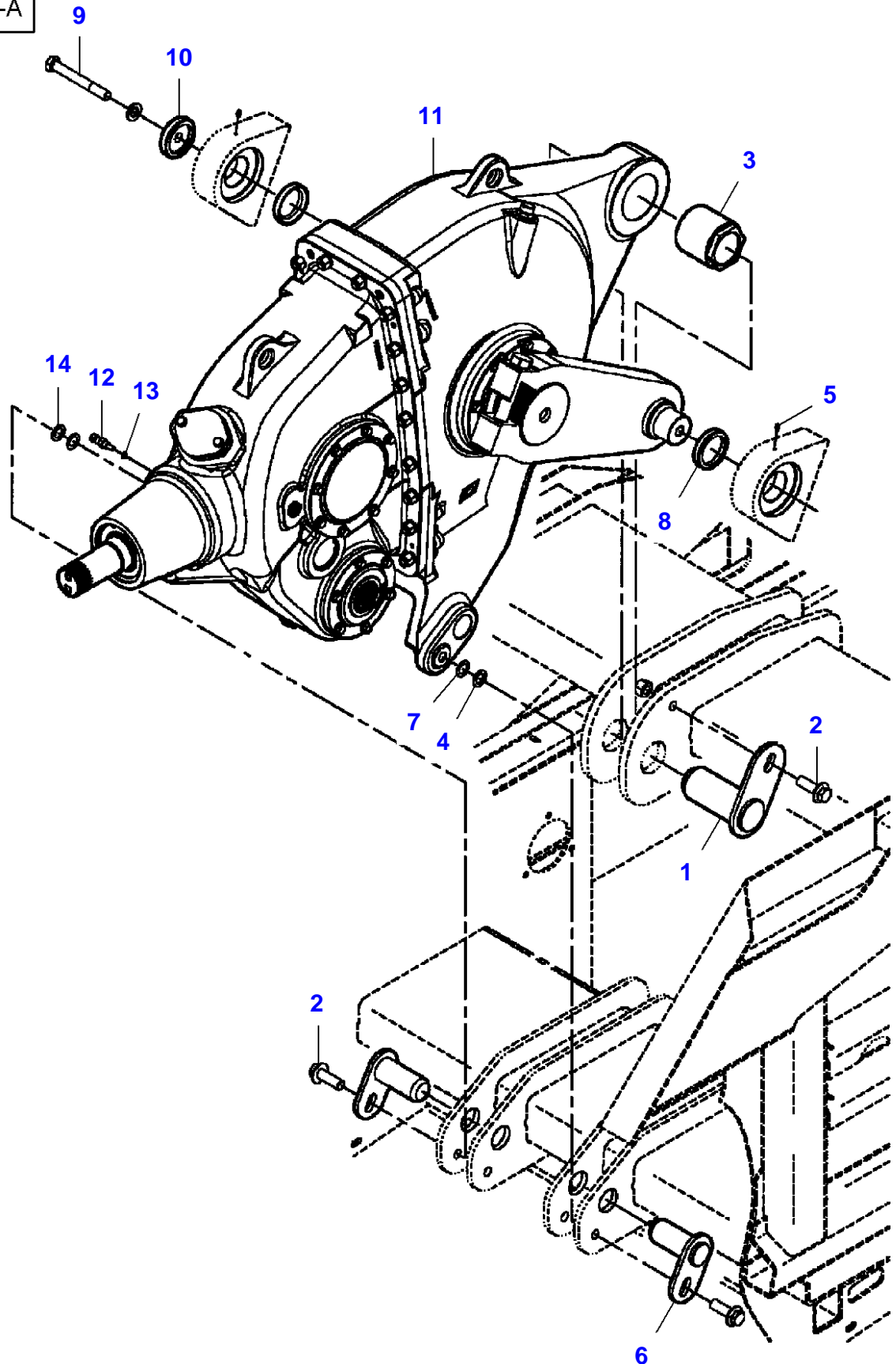
5-BA01-071-A



Transmission - Flywheel Clutch

Item	Part Number	Qty	Description	Comments
1	700164637	1	Housing	
2	7852114	2	Bush	(1)
3	6350805	1	Tube	
4	76521	1	Flat Washer	7/8"
5	700707250	1	Nut	7/8"-14
6	858019	8	Comp.Spring	
7	700108820	5	Friction Disc	
8	700112903	4	Plate	
9	6522866	1	Plate	
10	Y52274	1	Bush	
11	700141153	1	Shaft	
12	700732562	8	Hex Cap Screw	3/8"-16 X 7-1/2
13	700709603	8	Flat Washer	3/8"
14	Y704734	8	Locknut	3/8"-16

5-BA19-025-A





Suggest:

For more complete manuals. Please go to the home page.

<https://www.ebooklibonline.com>

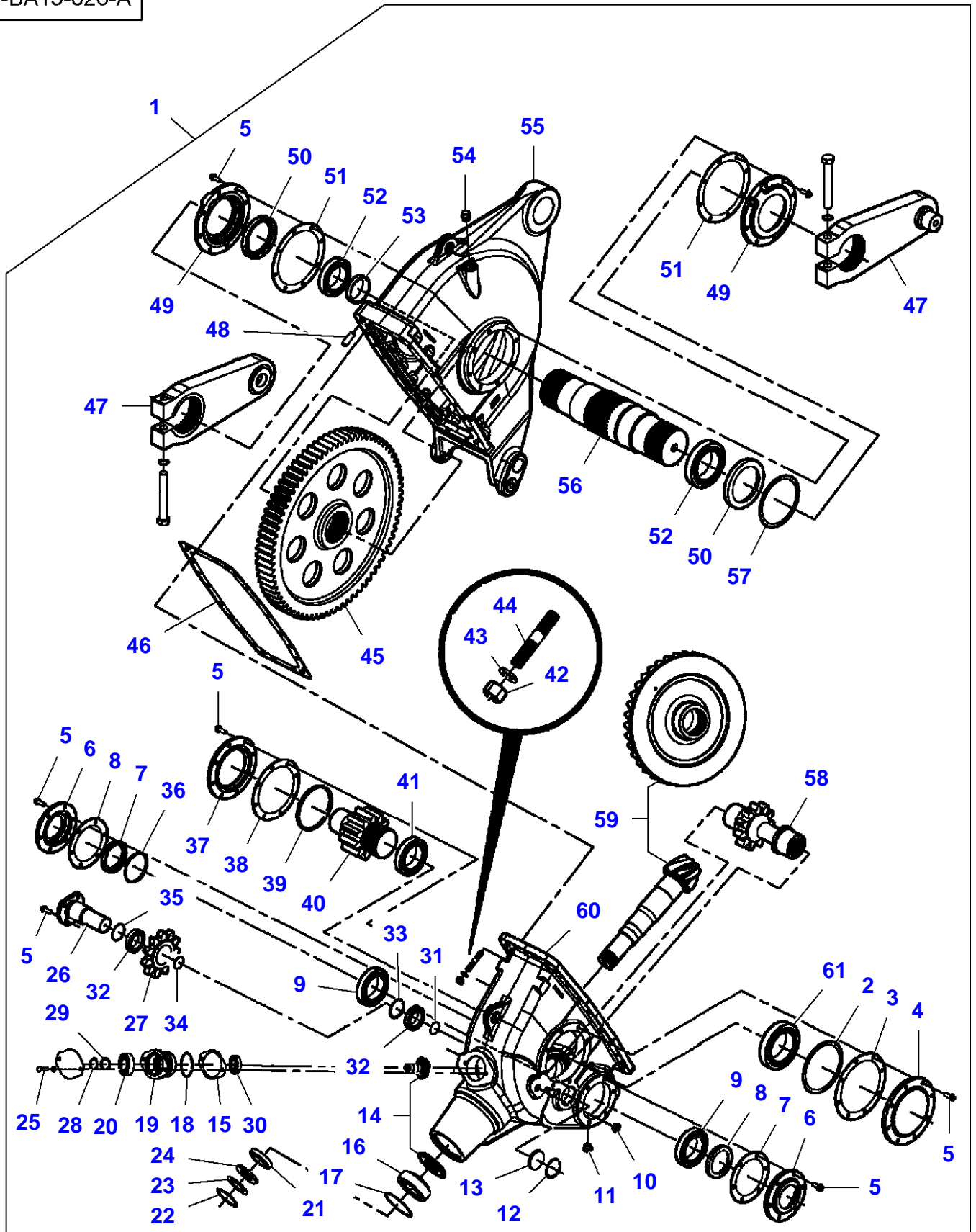
If the above button click is invalid. Please download this document first, and then click the above link to download the complete manual.

Thank you so much for reading

Gearbox - Attachment

Item	Part Number	Qty	Description	Comments
1	700146152	1	Pin	
2	3009256X1	4	Carriage Bolt	M20 X 60
	3019128X1	1	Nut	M20
3	700141086	1	Eccentric	
4	Y852608	X	Bush	7/8" X 14
5	70923219	2	Grease Fitting	1/4"-28
6	700146149	2	Pin	
7	700730827	X	Bush	7/8" X 18
8	700137106	2	Spacer	
9	354741X1	1	Hex Cap Screw	3/4"-10 X 6
	Y705566	1	Flat Washer	3/4"
	700710072	1	Locknut	3/4"-10
10	700143194	1	Washer	
11	700723443	1	Gearbox	See Page - Reference Number 010-0065/1
12	5015257M1	1	Sensor	
13	7040330	1	O Ring	
14	52191	X	Bush	7/8" X 18

5-BA19-026-A



<https://www.ebooklibonline.com>

Hello dear friend!

Thank you very much for reading.

Enter the link into your browser.

The full manual is available for immediate download.

<https://www.ebooklibonline.com>