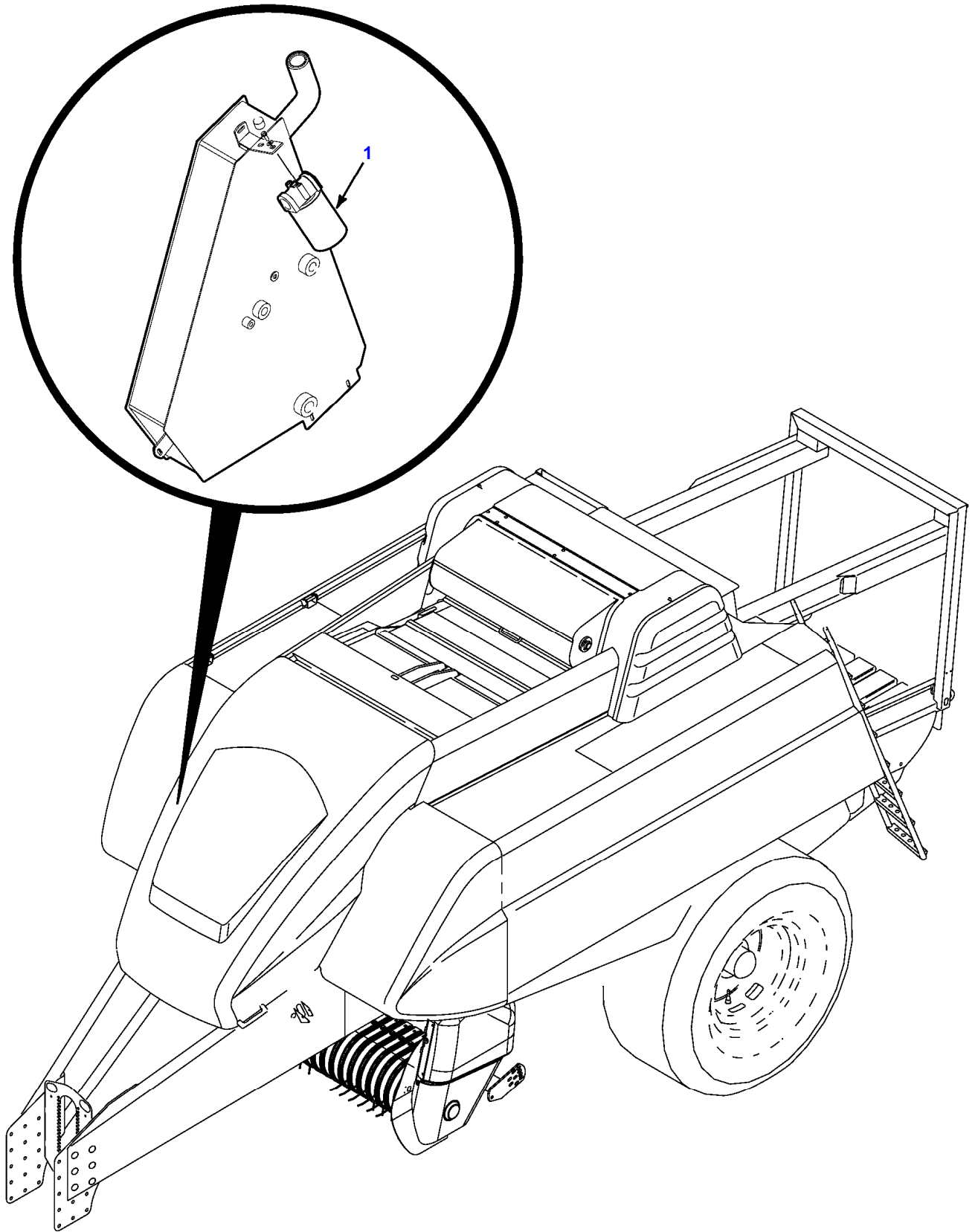


Page Number	Page Title	Page Reference
01-000-TOC	DRIVE SYSTEM	01-000-TOC
02-000-TOC	HYDRAULIC SYSTEM	02-000-TOC
03-000-TOC	ELECTRICAL SYSTEM	03-000-TOC
04-000-TOC	BALE FEEDING SYSTEM	04-000-TOC
05-000-TOC	BALE FORMING SYSTEM	05-000-TOC
06-000-TOC	BALE KNOTTING SYSTEM	06-000-TOC
07-000-TOC	BALE EJECTING SYSTEM	07-000-TOC
08-000-TOC	CHASSIS	08-000-TOC
09-000-TOC	DECALS	09-000-TOC
10-000-TOC	AXLES, SPINDLES, AND WHEELS	10-000-TOC
11-000-TOC	BRAKE SYSTEM	11-000-TOC
12-000-TOC	ACCESSORIES	12-000-TOC

DRIVE SYSTEM

Page Number	Page Title	Page Reference
01-0001	FILTER	T13110K04B0001
01-0002	MAIN DRIVE	T13110K04B0004
	S/N EHB02101 - EHB02122	
01-0003	MAIN DRIVE	1695151
	S/N EHB02123 AND LATER	
01-0004	CLUTCH - FLYWHEEL	T13110K04B0005
01-0005	DRIVE SHAFT	T13110K04B0006
01-0006	SECONDARY DRIVE SHAFT	T13110K04B0007
01-0007	PRIMARY DRIVE SHAFT - CE	T13110K04B0010
	1-3/8 INCH X 21 SPLINE	
01-0008	PRIMARY DRIVE SHAFT - CE	T13110K04B0011
	1-3/4 INCH X 20 SPLINE	
01-0009	BRAKE - FLYWHEEL	T13110K04B0012
01-0010	MOUNTING - FLYWHEEL	T13110K04B0013
01-0011	GEARBOX ASSEMBLY	T13110K04B0014
01-0012	AUXILIARY DRIVE - LEFT HAND	T13110K04B0015
01-0013	AUXILIARY DRIVE - RIGHT HAND	T13110K04B0016
01-0014	SHAFT AND SPROCKET - AUXILIARY	T13110K04B0017
01-0015	SLIP CLUTCH - AUXILIARY	T13110K04B0018
01-0016	DRIVE - CUTTER	T13110K04B0019
01-0017	GEARBOX ASSEMBLY - CUTTER	T13110K04B0020
01-0018	SLIP CLUTCH - CUTTER	T13110K04B0021
01-0019	CHAIN LUBE	1499950
	WITHOUT CUTTER	
01-0020	CHAIN LUBE	1499951
	WITH CUTTER	

1270N / 1270S LARGE RECTANGULAR BALER (EHB02101 - 99999)
FILTER



<https://www.ebooklibonline.com>

Hello dear friend!

Thank you very much for reading.

Enter the link into your browser.

The full manual is available for immediate download.

<https://www.ebooklibonline.com>

Fendt

1270N / 1270S LARGE RECTANGULAR BALER (EHB02101 - 99999)

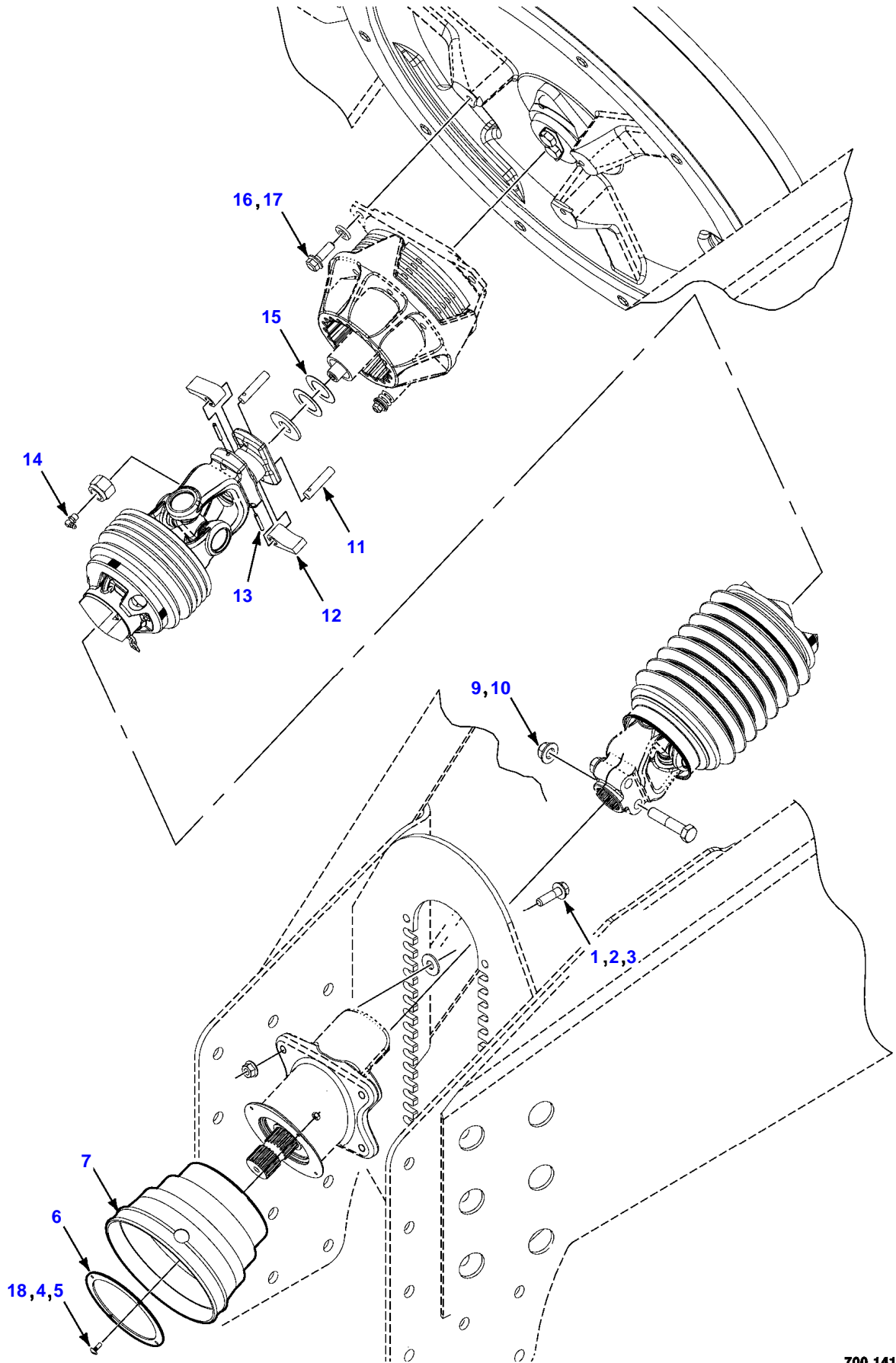
79036311

FILTER

Page01-0001

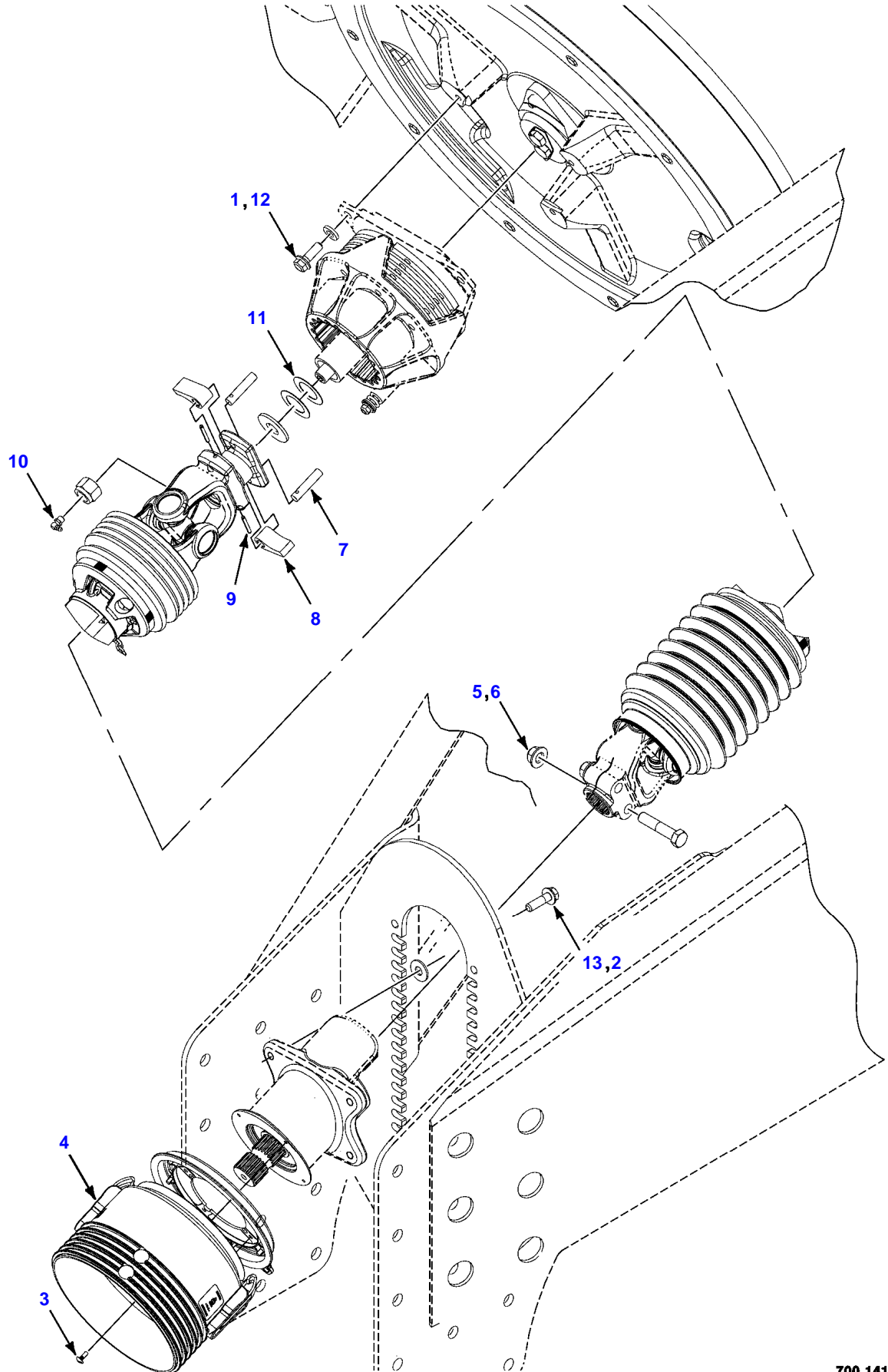
Item	Part Number	Qty	Description Comments
1	700738685	1	FILTER
	700738686	1	FILTER ELEMENT

1270N / 1270S LARGE RECTANGULAR BALER (EHB02101 - 99999)
MAIN DRIVE



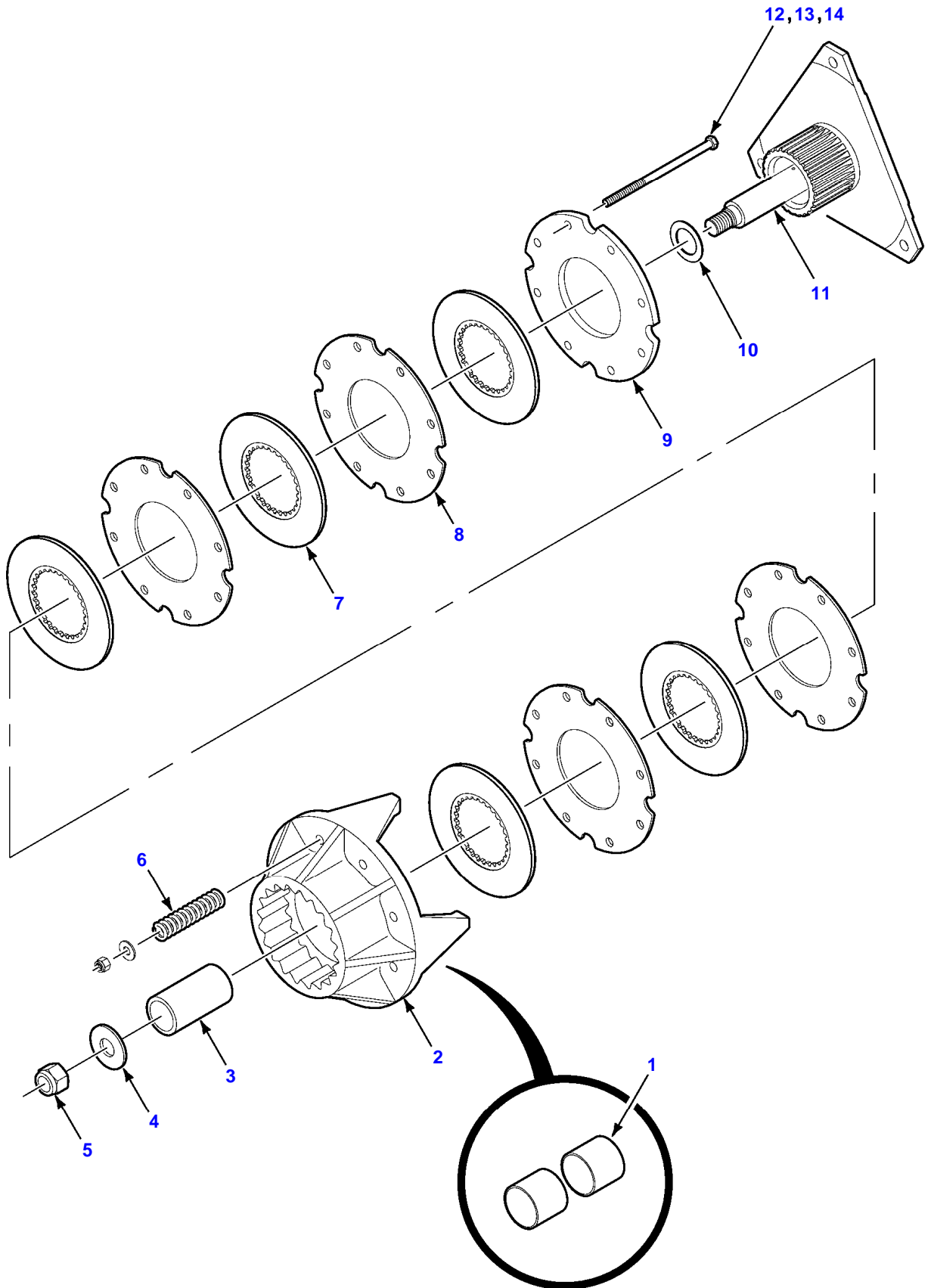
Item	Part Number	Qty	Description Comments	Technical Specification
				S/N EHB02101 - EHB02122
1	7883432	8	HEX HEAD BOLT	1/2"-13 X 1-3/4", GR8
2	700711557	8	FLAT WASHER	1/2"
3	700714586	8	HEX FLANGE NUT	1/2"-13, GR8
4	700737790	4	PAN HEAD SCREW	#12-24 X 3/4, RIBBED NECK
5	700705521	4	SPECIAL LOCKNUT	#12-24
6	700143340	1	MOUNTING FLANGE	
7	700729081	1	CONE GUARD	
9	700708270	2	HEX HEAD BOLT	5/8"-11 X 3", GR8
10	700711198	2	HEX FLANGE LOCKNUT	5/8"-11, GRG
11	700113037	2	PAWL PIN	
12	700113036	2	CLUTCH PAWL	
13	Z63396	2	SPLIT PIN	3/16" X 1-1/2"
14	Z77115	1	GREASE FITTING	1/8"-27, 90D
15	6522932	2	CLUTCH SHIM	1-13/32" ID X 2-1/4" OD
16	8701237	3	HEX FLANGE HEAD BOLT	1/2"-13 X 1-1/2", GR8
17	705541	3	FLAT WASHER	1/2"
18	7705692	4	LOCK WASHER	#12

1270N / 1270S LARGE RECTANGULAR BALER (EHB02101 - 99999)
MAIN DRIVE



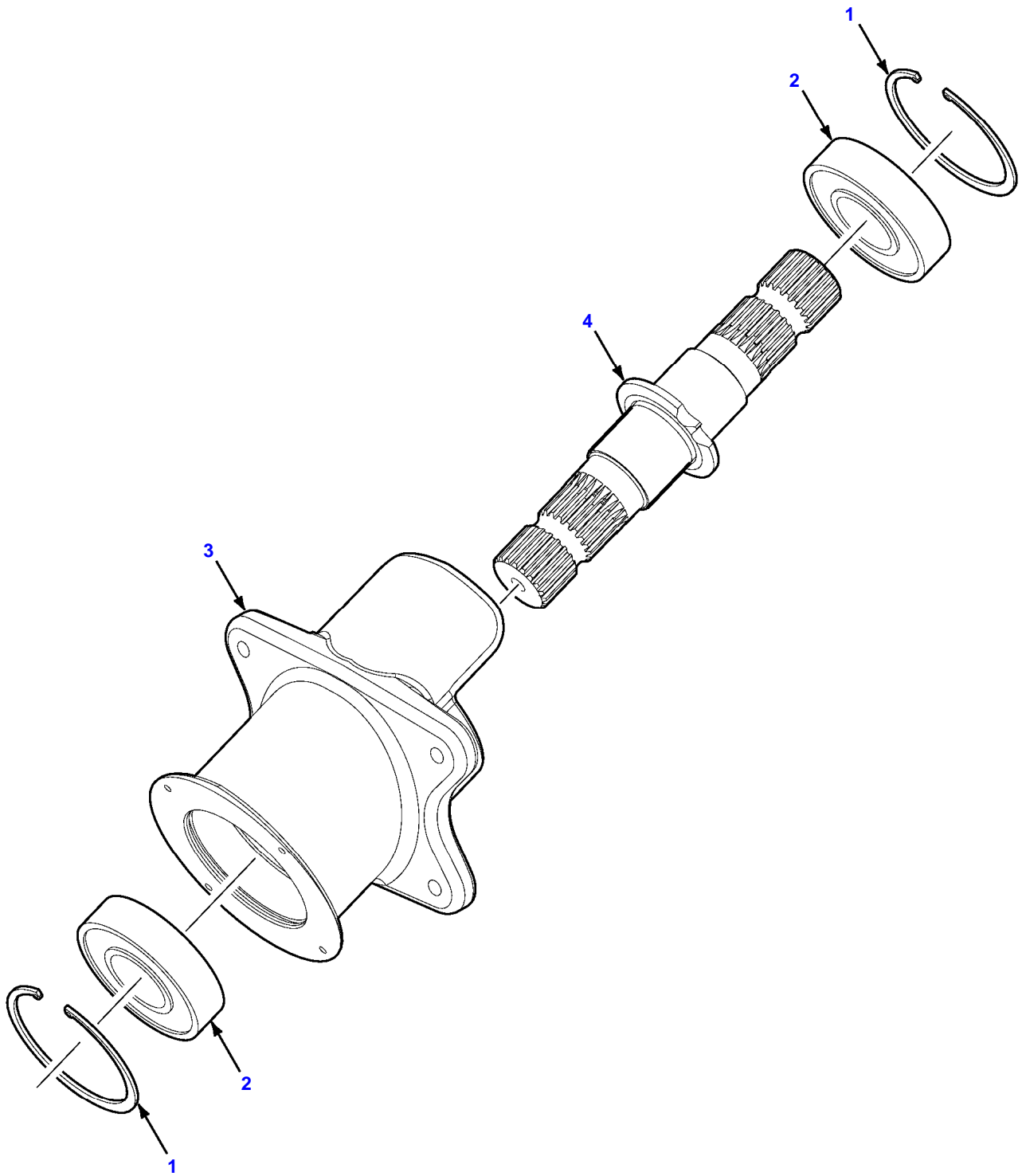
Item	Part Number	Qty	Description Comments	Technical Specification
			S/N EHB02123 AND LATER	
1	8701237	3	HEX FLANGE HEAD BOLT	1/2"-13 X 1-1/2", GR8
2	700711557	4	FLAT WASHER	1/2"
3	3012141X1	4	HEX FLANGE HEAD BOLT	M6 X 1.0 X 16MM, CL8.8
4	700744199	1	CONE SHIELD	
5	700708270	2	HEX HEAD BOLT	5/8"-11 X 3", GR8
6	700711198	2	HEX FLANGE LOCKNUT	5/8"-11, GRG
7	700113037	2	PAWL PIN	
8	700113036	2	CLUTCH PAWL	
9	Z63396	2	SPLIT PIN	3/16" X 1-1/2"
10	Z77115	1	GREASE FITTING	1/8"-27, 90D
11	6522932	2	CLUTCH SHIM	1-13/32" ID X 2-1/4" OD
12	705541	3	FLAT WASHER	1/2"
13	3009222X1	4	HEX FLANGE HEAD BOLT	M12 X 1.75 X 40MM, CL10.9, ZN

1270N / 1270S LARGE RECTANGULAR BALER (EHB02101 - 99999)
CLUTCH - FLYWHEEL



Item	Part Number	Qty	Description Comments	Technical Specification
1	7852114	2	BUSHING	1-1/2" ID X 1-3/8", BRONZE
2	700164637	1	CLUTCH HOUSING	
	7852114	2	BUSHING	1-1/2" ID X 1-3/8", BRONZE
3	6350805	1	HEADER PICKUP TUBE	2" OD X 3-3/4"
4	76521	1	FLAT WASHER	NON-PLATED, 7/8
5	700707250	1	HEX NUT	7/8"-14
6	858019	8	COMPRESSION SPRING	
7	700108820	5	FRICTION DISC	6-7/8" DIA
8	700112903	4	CLUTCH PLATE	
9	6522866	1	CLUTCH PLATE	
10	Z52274	1	MACHINERY BUSHING	1-3/8" X 14GA
11	700193077	1	CLUTCH PILOT	
12	700732562	8	HEX HEAD BOLT	3/8"-16 X 7-1/2", GR5
13	700709603	8	FLAT WASHER	3/8"
14	704734	8	HEX FLANGE LOCKNUT	3/8"-16

1270N / 1270S LARGE RECTANGULAR BALER (EHB02101 - 99999)
DRIVE SHAFT



Fendt

1270N / 1270S LARGE RECTANGULAR BALER (EHB02101 - 99999)

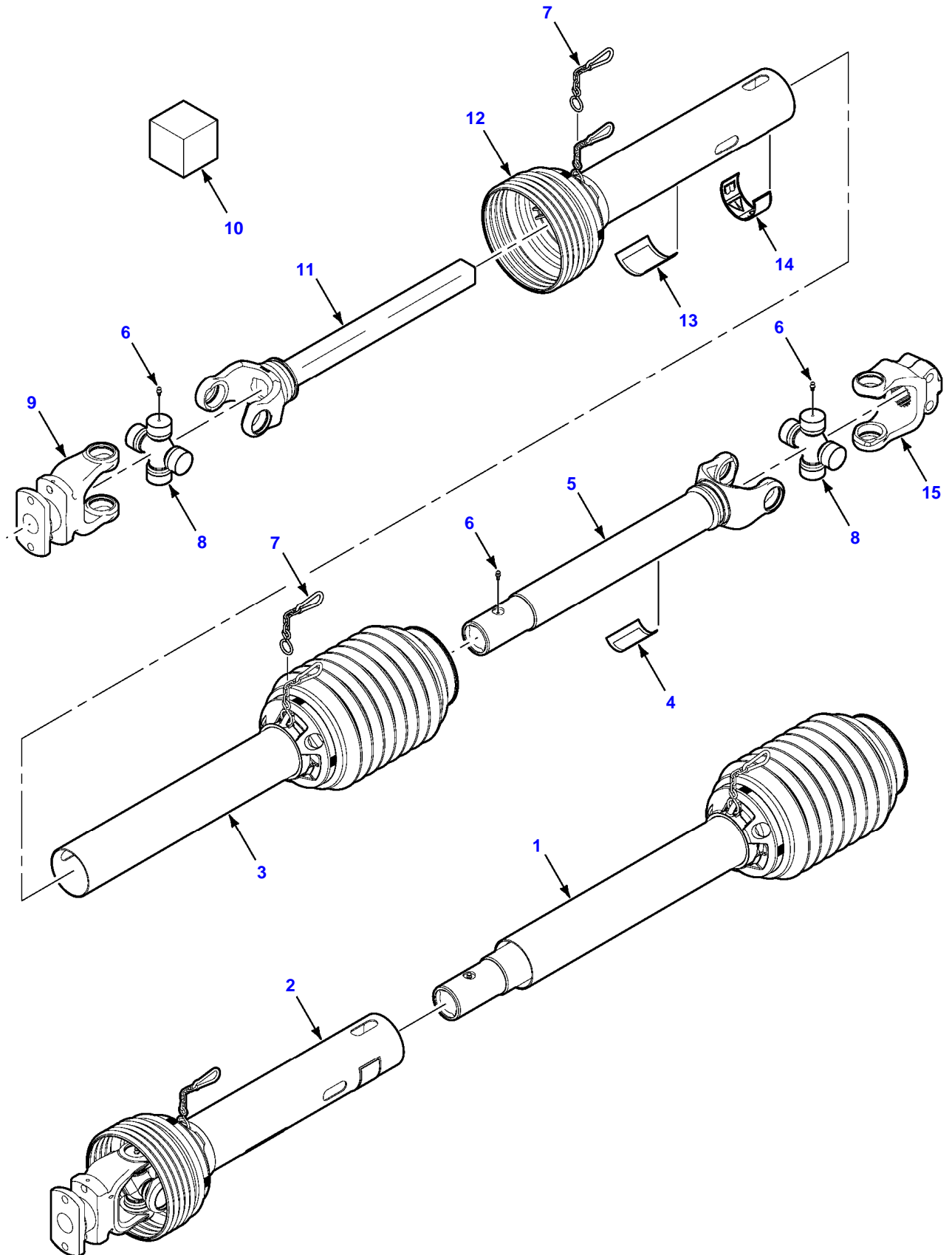
79036311

DRIVE SHAFT

Page01-0005

Item	Part Number	Qty	Description Comments	Technical Specification
1	8052326	2	RETAINING RING	101MM OD
2	700721594	2	BALL BEARING	45 X 100 X 25MM
3	700734696	1	SUPPORT	
4	700174791	1	DRIVE SHAFT	

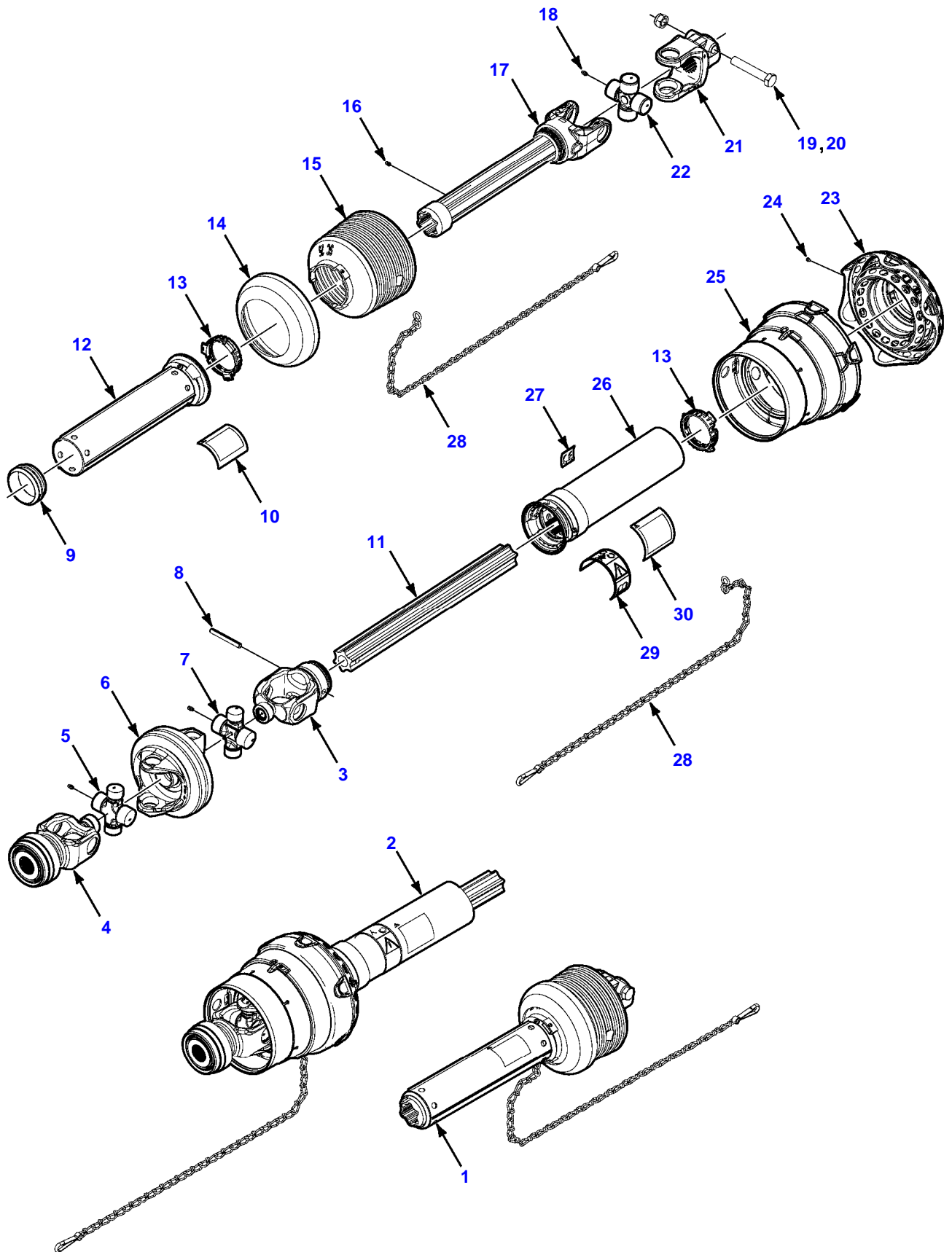
1270N / 1270S LARGE RECTANGULAR BALER (EHB02101 - 99999)
SECONDARY DRIVE SHAFT



Item	Part Number	Qty	Description Comments	Technical Specification
1	700724125	1	PTO HALF SHAFT	
2	700724123	1	PTO HALF SHAFT	
3	700724141	1	DRIVE SHAFT SAFETY GUARD	
4	700747136	1	DANGER DECAL, SHIELD MISSING	127MM X 87MM
5	700724142	1	YOKE TUBE [A]	
6	Z77016	3	GREASE FITTING	1/4"-28
7	700720152	2	CHAIN KIT	
8	700724136	2	CROSS AND BEARING KIT	39MM DIA CAP, 109MM OL
	Z77016	1	GREASE FITTING	1/4"-28
9	700706955	1	YOKE	
	7711799	1	CYLINDRICAL BEARING	
	700706956	1	BUSHING	35MM X 41MM X 32MM, BRONZE
	7052798	1	RETAINING RING	52.17MM
	Z77107	1	GREASE FITTING	1/8"-27, 65D
10	700723268	2	GUARD BUSHING KIT	NYLON
11	700724137	1	YOKE SHAFT	
12	700724140	1	DRIVE SHAFT SAFETY GUARD [A]	
13	700747135	1	DANGER DECAL, ROTATING DRIVELINE	134MM X 95MM
14	700746100	1	WARNING DECAL	
15	700721794	1	YOKE	

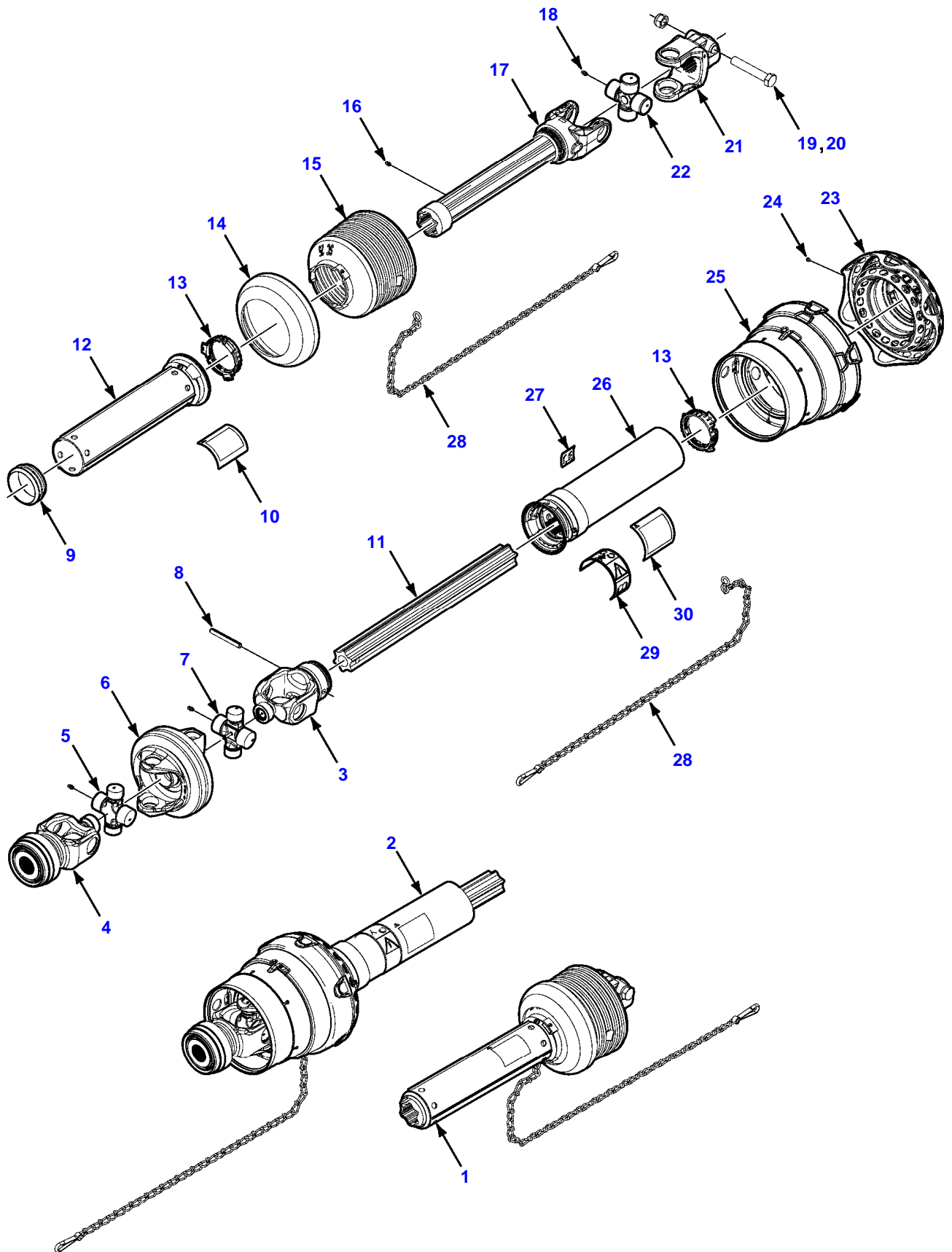
[A] THE APPROPRIATE SAFETY DECALS MUST BE ORDERED AND FITTED TO THIS PART

1270N / 1270S LARGE RECTANGULAR BALER (EHB02101 - 99999)
PRIMARY DRIVE SHAFT - CE



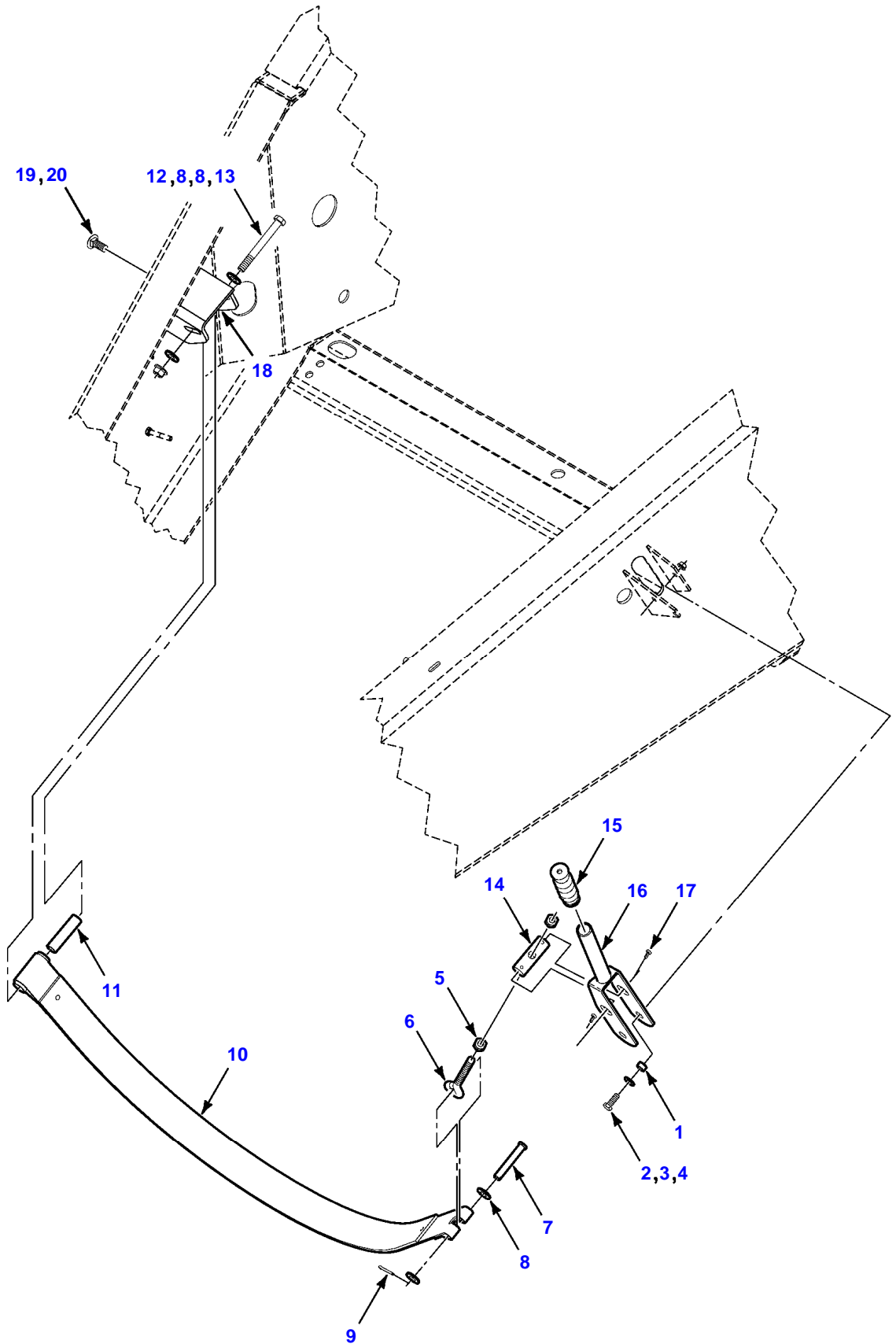
Item	Part Number	Qty	Description Comments	Technical Specification
			1-3/8 INCH X 21 SPLINE	
1	700737113	1	PTO HALF SHAFT	1-3/4", 20 SPLINE
2	700735106	1	PTO HALF SHAFT	
3	700735112	1	YOKE	
4	700735109	1	YOKE	1-3/8", 21 SPLINE
	700735126	1	REPAIR KIT	LOCK
5	700735113	1	CROSS AND BEARING KIT	32 & 36MM DIA CAP, 112MM OL
6	700735110	1	DOUBLE YOKE	
7	700735111	1	CROSS AND BEARING KIT	32 & 36MM DIA CAP, 112MM OL
8	763847	1	SPRING PIN	10 X 75 MM
9	700735123	1	BEARING BRACKET	
10	700747136	1	DANGER DECAL, SHIELD MISSING	127MM X 87MM
11	700735114	1	INNER PROFILE SHAFT	
12	700737117	1	INNER GUARD [A]	
13	8800633	2	BEARING RING	SC25
14	700735124	1	REINFORCING COLLAR	
15	700735122	1	CONE GUARD	7 RIB
16	700713262	1	GREASE FITTING	1/4"-28 X 9/16"
17	700737115	1	YOKE TUBE	IB (S5G)
18	700735125	3	GREASE FITTING	M6 X 1
19	339182X1	1	HEX CAP SCREW	M16 X 2 X 90, CL8.8
20	1442739X1	1	HEX LOCKNUT	M16 X 2, CL8
21	700737116	1	YOKE	1-3/4"-20 SPLINE
22	700735116	1	CROSS AND BEARING KIT	36MM DIA CAP, 89MM OL
23	700735121	1	GUARD CONE AND FLEX NET	
24	700714614	10	MACHINE SCREW	
25	700735120	1	DRIVE SHAFT SAFETY GUARD	
26	700735117	1	GUARD TUBE AND CAP [A]	
27	700735129	1	DECAL, CE	
28	71382485	2	SAFETY CHAIN	
29	700746100	1	WARNING DECAL	
30	700747135	1	DANGER DECAL, ROTATING DRIVELINE	134MM X 95MM
			[A] THE APPROPRIATE SAFETY DECALS MUST BE ORDERED AND FITTED TO THIS PART	

1270N / 1270S LARGE RECTANGULAR BALER (EHB02101 - 99999)
PRIMARY DRIVE SHAFT - CE



Item	Part Number	Qty	Description Comments	Technical Specification
1-3/4 INCH X 20 SPLINE				
1	700737113	1	PTO HALF SHAFT	1-3/4", 20 SPLINE
2	700735108	1	PTO HALF SHAFT	1-3/4", 20 SPLINE
3	700735112	1	YOKE	
4	700735127	1	YOKE	1-3/4", 20 SPLINE
	700735128	1	REPAIR KIT	LOCK
5	700735113	1	CROSS AND BEARING KIT	32 & 36MM DIA CAP, 112MM OL
6	700735110	1	DOUBLE YOKE	
7	700735111	1	CROSS AND BEARING KIT	32 & 36MM DIA CAP, 112MM OL
8	763847	1	SPRING PIN	10 X 75 MM
9	700735123	1	BEARING BRACKET	
10	700747136	1	DANGER DECAL, SHIELD MISSING	127MM X 87MM
11	700735114	1	INNER PROFILE SHAFT	
12	700737117	1	INNER GUARD [A]	
13	8800633	2	BEARING RING	SC25
14	700735124	1	REINFORCING COLLAR	
15	700735122	1	CONE GUARD	7 RIB
16	700713262	1	GREASE FITTING	1/4"-28 X 9/16"
17	700737115	1	YOKE TUBE	IB (S5G)
18	700735125	3	GREASE FITTING	M6 X 1
19	339182X1	1	HEX CAP SCREW	M16 X 2 X 90, CL8.8
20	1442739X1	1	HEX LOCKNUT	M16 X 2, CL8
21	700737116	1	YOKE	1-3/4"-20 SPLINE
22	700735116	1	CROSS AND BEARING KIT	36MM DIA CAP, 89MM OL
23	700735121	1	GUARD CONE AND FLEX NET	
24	700714614	10	MACHINE SCREW	
25	700735120	1	DRIVE SHAFT SAFETY GUARD	
26	700735117	1	GUARD TUBE AND CAP [A]	
27	700735129	1	DECAL, CE	
28	71382485	2	SAFETY CHAIN	
29	700746100	1	WARNING DECAL	
30	700747135	1	DANGER DECAL, ROTATING DRIVELINE	134MM X 95MM
[A] THE APPROPRIATE SAFETY DECALS MUST BE ORDERED AND FITTED TO THIS PART				

1270N / 1270S LARGE RECTANGULAR BALER (EHB02101 - 99999)
BRAKE - FLYWHEEL





Suggest:

For more complete manuals. Please go to the home page.

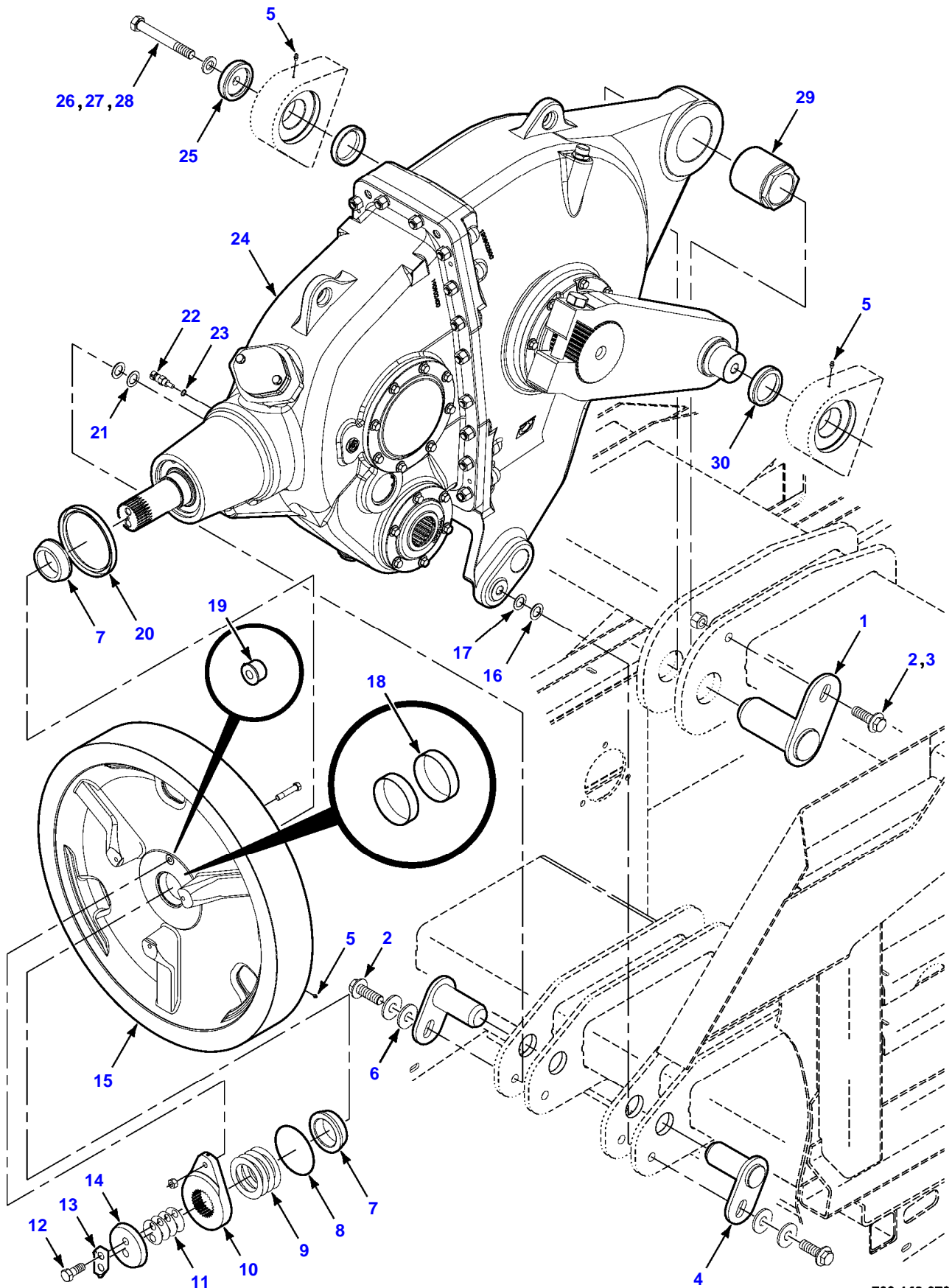
<https://www.ebooklibonline.com>

If the above button click is invalid. Please download this document first, and then click the above link to download the complete manual.

Thank you so much for reading

Item	Part Number	Qty	Description Comments	Technical Specification
1	6489231	2	SPACER	5/8" OD X 5/16"
2	703249	2	HEX HEAD BOLT	3/8"-16 X 1", GR5, FT
3	705533	2	FLAT WASHER	3/8"
4	704734	2	HEX FLANGE LOCKNUT	3/8"-16
5	7704752	2	HEX NUT	1/2"-13
6	766667	1	EYEBOLT	1/2"-13 X 10"
7	Z63883	1	CLEVIS PIN	1/2" X 3"
8	705541	4	FLAT WASHER	1/2"
9	Z62174	1	COTTER PIN	5/32" X 1"
10	700113058	1	BRAKE STRAP	
11	6524003	1	SPACER	19MM OD X 76M OL
12	703223	1	HEX HEAD BOLT	1/2"-13 X 4-1/2", GR5
13	704742	1	HEX FLANGE LOCKNUT	1/2"-13
14	700113057	1	BRAKE PIN	1" DIA X 74MM OL
15	Z27342	1	HANDLE GRIP	
16	700113054	1	HANDLE	
17	Z62257	2	COTTER PIN	3/16" X 1-1/2"
18	700191153	1	BRAKE SUPPORT	
19	Z68619	2	CARRIAGE BOLT	1/2"-13 X 1-1/4", GR5, FT
20	700714586	2	HEX FLANGE NUT	1/2"-13, GR8

1270N / 1270S LARGE RECTANGULAR BALER (EHB02101 - 99999)
MOUNTING - FLYWHEEL



<https://www.ebooklibonline.com>

Hello dear friend!

Thank you very much for reading.

Enter the link into your browser.

The full manual is available for immediate download.

<https://www.ebooklibonline.com>