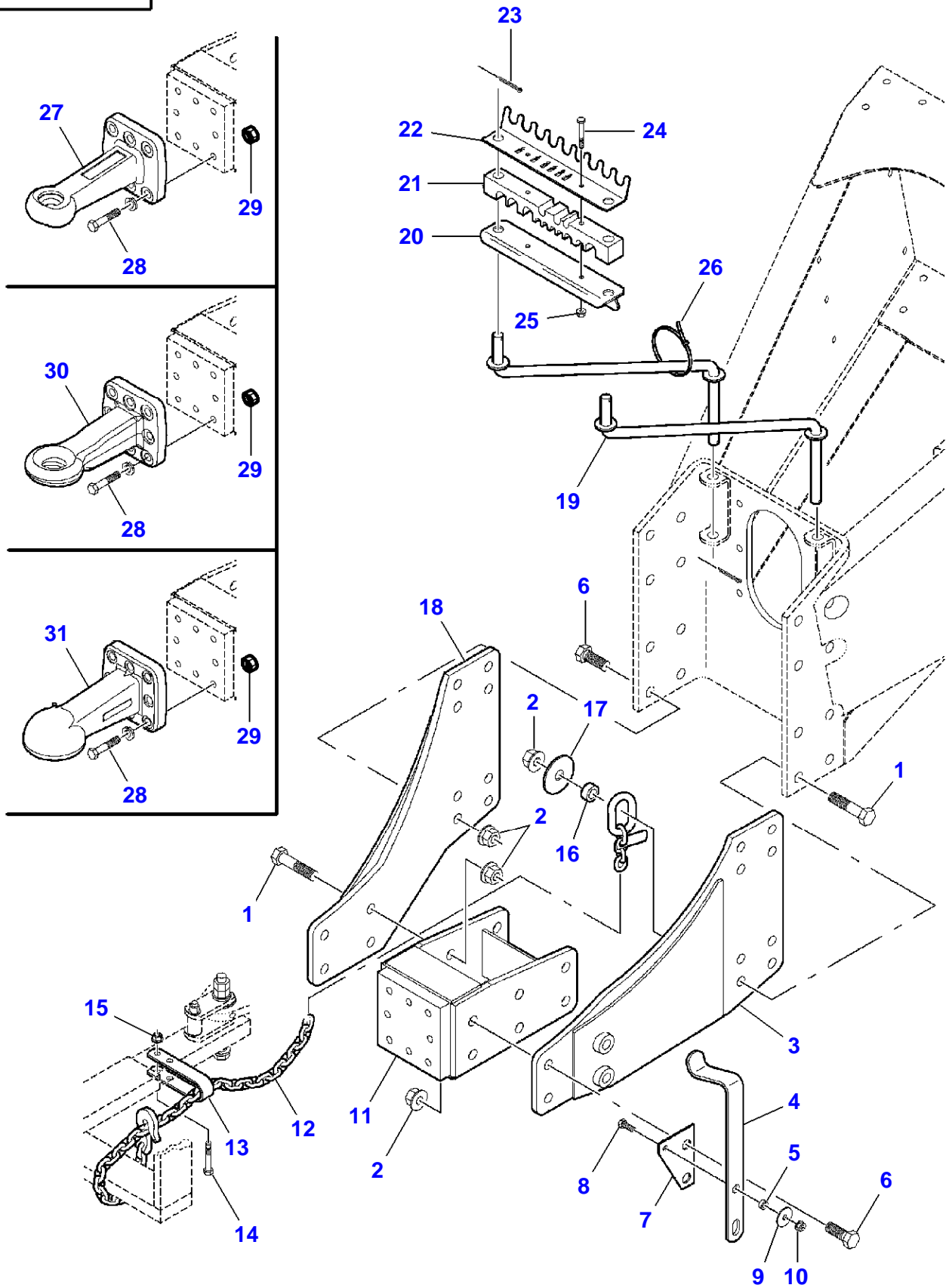


Page Title	Page Number
Linkage - Hitch Safety Chain	010-0005
Transmission	010-0010
Transmission	010-0015
Transmission	010-0020
Transmission	010-0025
Transmission - Type 2 1-3/8 X 21 Splines - Auto lock	010-0030
Transmission - Type 3 1-3/4 X 20 Splines - Auto Lock	010-0035
Transmission - Flywheel	010-0040
Transmission - Flywheel	010-0045
Gearbox	010-0050
Gearbox	010-0055
Cutter Gearbox Assembly	010-0060
Chain Drive - Left Side	010-0065
Chain Drive - Right Side	010-0070
Chain Drive	010-0075
Chain Drive - Clutch	010-0080
Cutter Drive Assembly - Left	010-0085
Clutch - With Cutter	010-0090

5-BA03-003-A



Linkage - Hitch Safety Chain

Item	Part Number	Qty	Description	Comments
1	48100PF	5	Bolt	3/4-10 X 3-1/4
2	700703923	16	Top Locknut	3/4-10
3	700139426P	1	Tongue	Left Hand
4	700139456	1	Strap	
5	70336568	1	Spacer	
6	700721715	11	Screw	3/4-10 X 2
7	700139457	1	Plate	
8	353691X1	1	Bolt Unc	3/8-16 X 1
9	700710049	1	Washer	3/8
10	700711238	1	Nut	3/8-16
11	700139422P	1	Hitch	
12	700720132	1	Chain	
13	700113646B	1	Clevis	
14	354294X1	1	Bolt Unc	5/8-11 X 3-3/4
15	700711198	1	Nut	5/8-11
16	700139417B	1	Bush	
17	6579106P	1	Cap	
18	700139427P	1	Tongue	Right Hand
19	700139447	2	Rod	
20	700139434	1	Plate	
21	700139455	1	Block	
22	700139433	1	Plate	
23	354061X1	4	Pin	1/8 X 1-1/4
24	354613X1	2	Bolt Unc	5/16-18 X 2-1/4
25	Y704726	2	Top Locknut	5/16-18
26	70937133	2	Tie	
27	700721591	1	Coupling	
	DK41143	1	Kit	40 mm
28	7703879	22	Screw	M16 X 60
29	700708348	22	Nut	M16
30	700723357	1	Kit	
	DK41144	1	Kit	50 mm
31	700721590	1	Coupling	
	DK41145	1	Kit	

<https://www.ebooklibonline.com>

Hello dear friend!

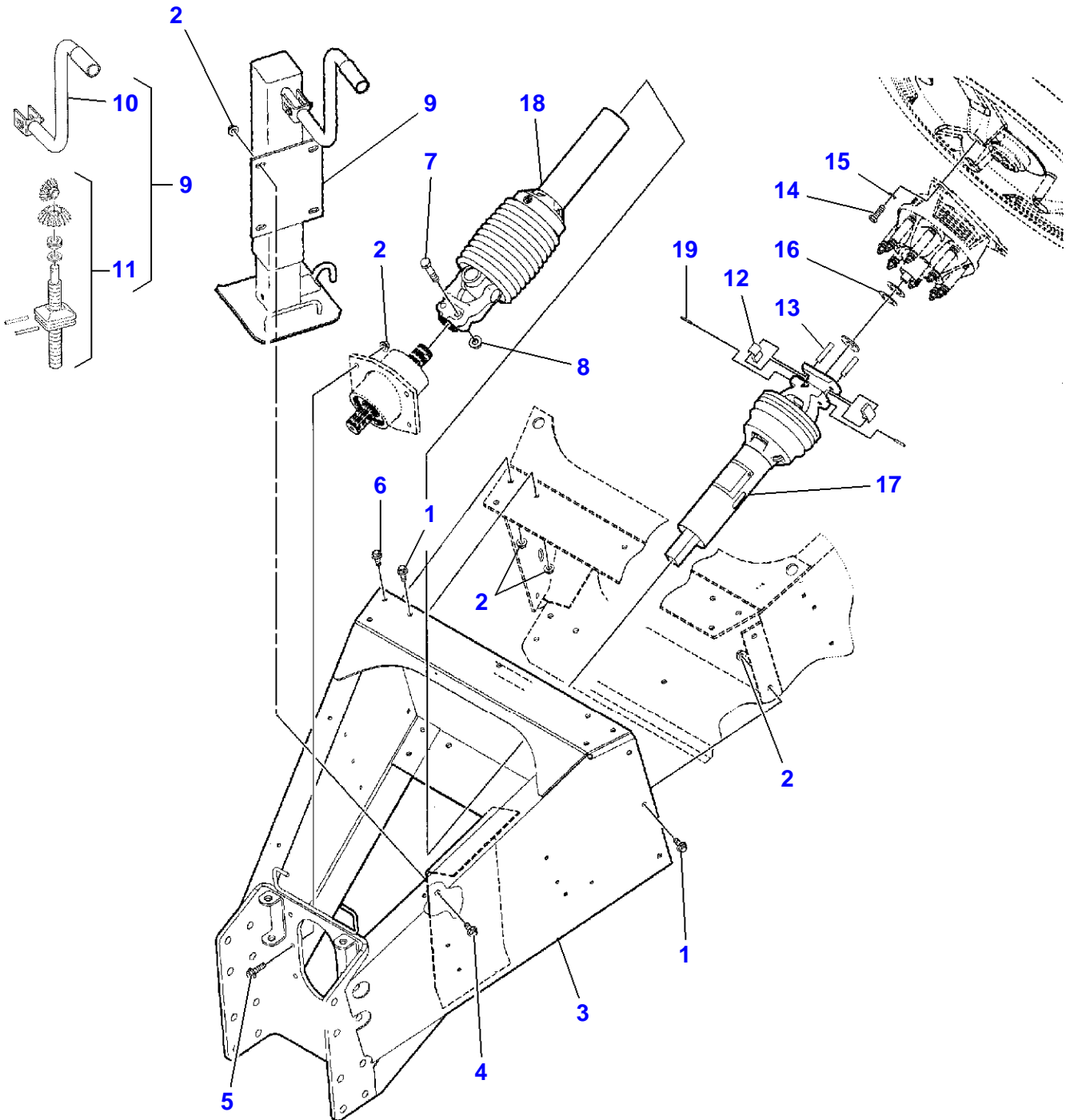
Thank you very much for reading.

Enter the link into your browser.

The full manual is available for immediate download.

<https://www.ebooklibonline.com>

5-BA01-049-A



Fendt

1270 / 1270 S MEDIUM SQUARE BALERS - --->| HT85100 - 1637499

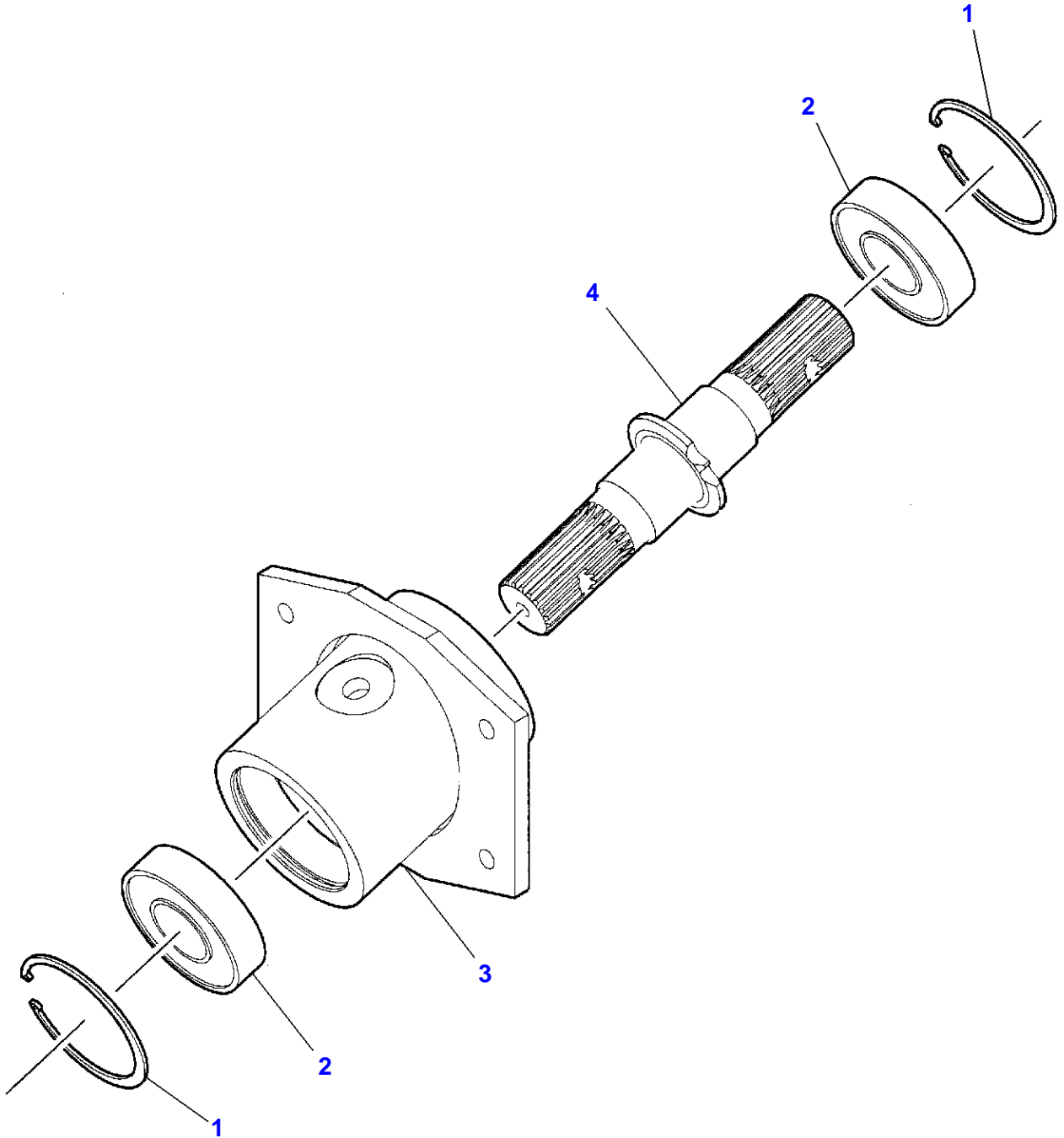
1637499

Transmission

Page010-0010

Item	Part Number	Qty	Description	Comments
1	700710984	12	Screw	1/2-13 X 1-1/4
2	Y704742	28	Top Locknut	1/2-13
3	700139411P	1	Tongue	
4	70934980	4	Screw	1/2-13 X 1-1/4
5	7883432	4	Screw	1/2-13 X 1-3/4
6	8701237	8	Screw	1/2-13 X 1-1/2
7	48072PF	2	Capscrew	5/8-11 X 3
8	700711198	2	Nut	5/8-11
9	700720231	1	Jack	
10	700720181	1	Handle	(9)
11	700720180	1	Kit, Hardware	(9)
12	700113036	2	Pawl	
13	700113037	2	Pin	
14	94723PF	3	Screw Unc	1/2-13 X 1-1/2
15	353439X1	3	Lock Washer	1/2
16	6522932	2	Shim	
17	700721786	1	Shaft	
18	700721788	1	Tube	
19	70915751	2	Pin	3/16 X 1-1/2

5-BA01-051-A



Fendt

1270 / 1270 S MEDIUM SQUARE BALERS - --->| HT85100 - 1637499

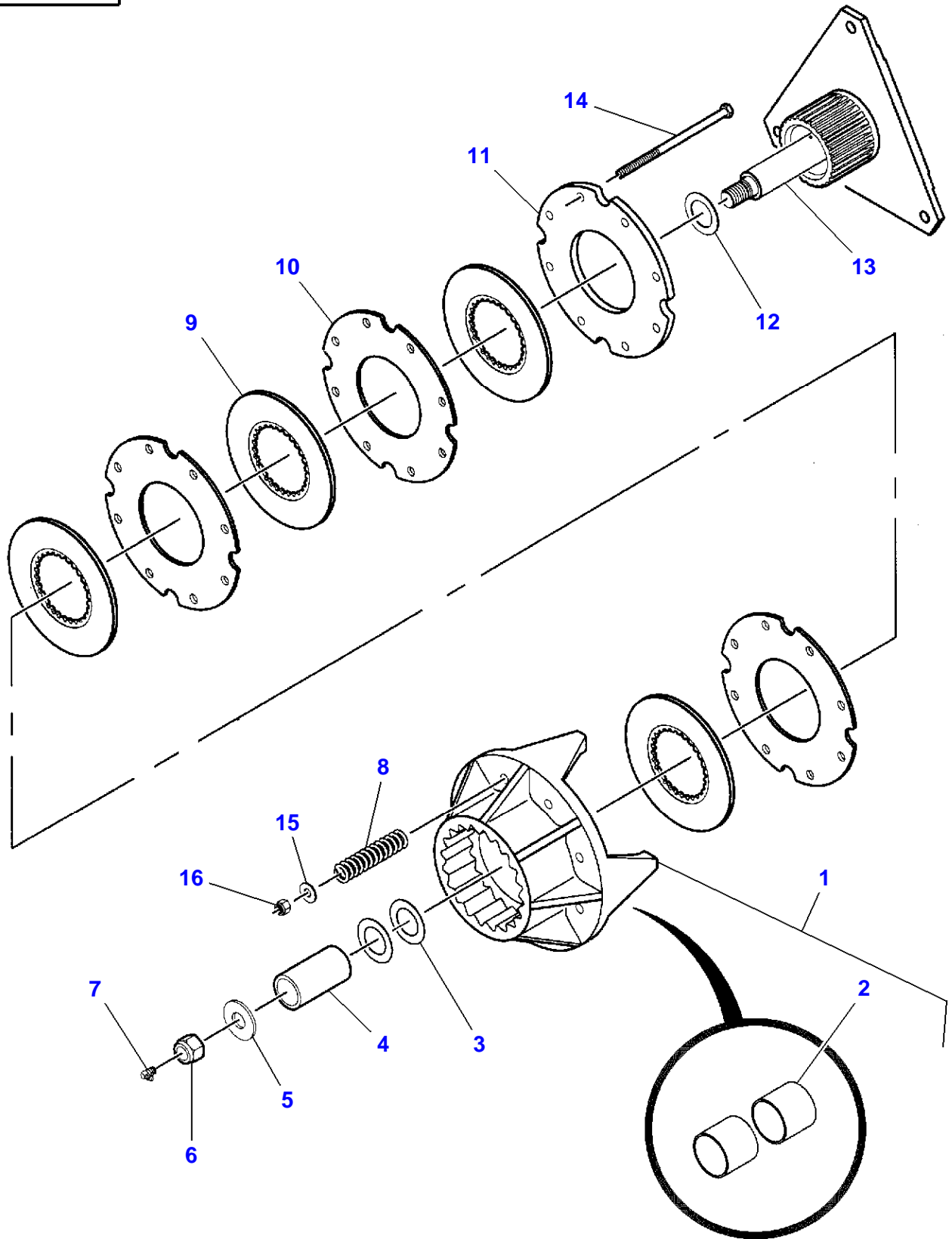
1637499

Transmission

Page010-0015

Item	Part Number	Qty	Description
1	355994X1	2	Ring
2	391069X1	2	Bear. 6309 2rs
3	700139437P	1	Support
4	700139441	1	Shaft

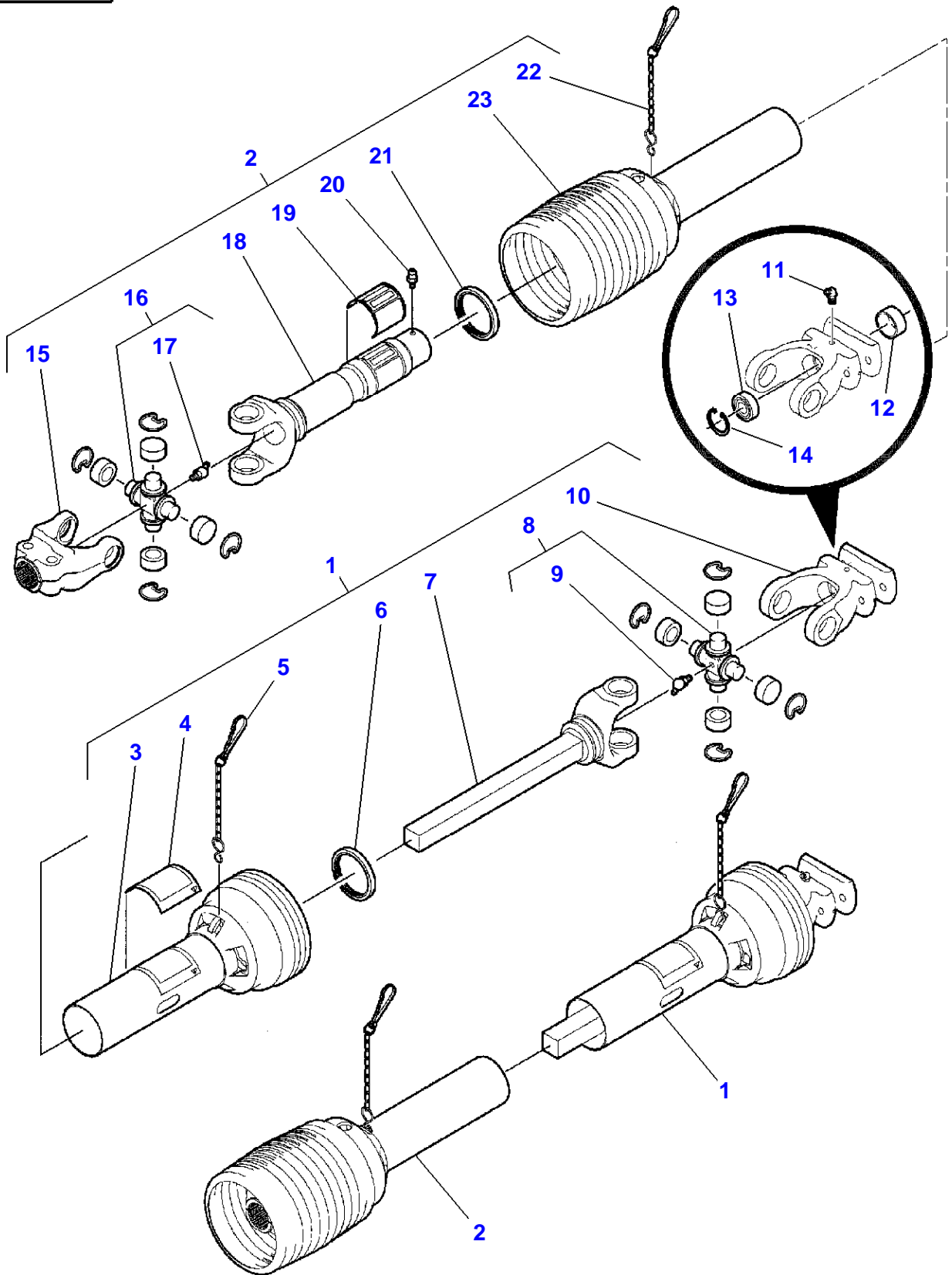
5-BA01-052-A



Transmission

Item	Part Number	Qty	Description	Comments
1	700163297P	1	Housing	
2	7852114	2	Bush	(1)
3	6522932	2	Shim	
4	6350805P	1	Tube	Right Hand
5	30295PF	1	Washer	7/8
6	70930764	1	Nut	7/8-14
7	70915276	1	Nipple	1/8-27 X 90 ZERK
8	858019	8	Spring	
9	700108820	4	Disc	
10	700112903P	3	Plate	
11	6522866P	1	Plate	
12	Y52274	1	Washer	1-3/8 X 14
13	700163293P	1	Shaft	
14	700707998	8	Bolt	3/8-16 X 7
15	355619X1	8	Washer	3/8
16	366573X1	8	Locknut	3/8-16

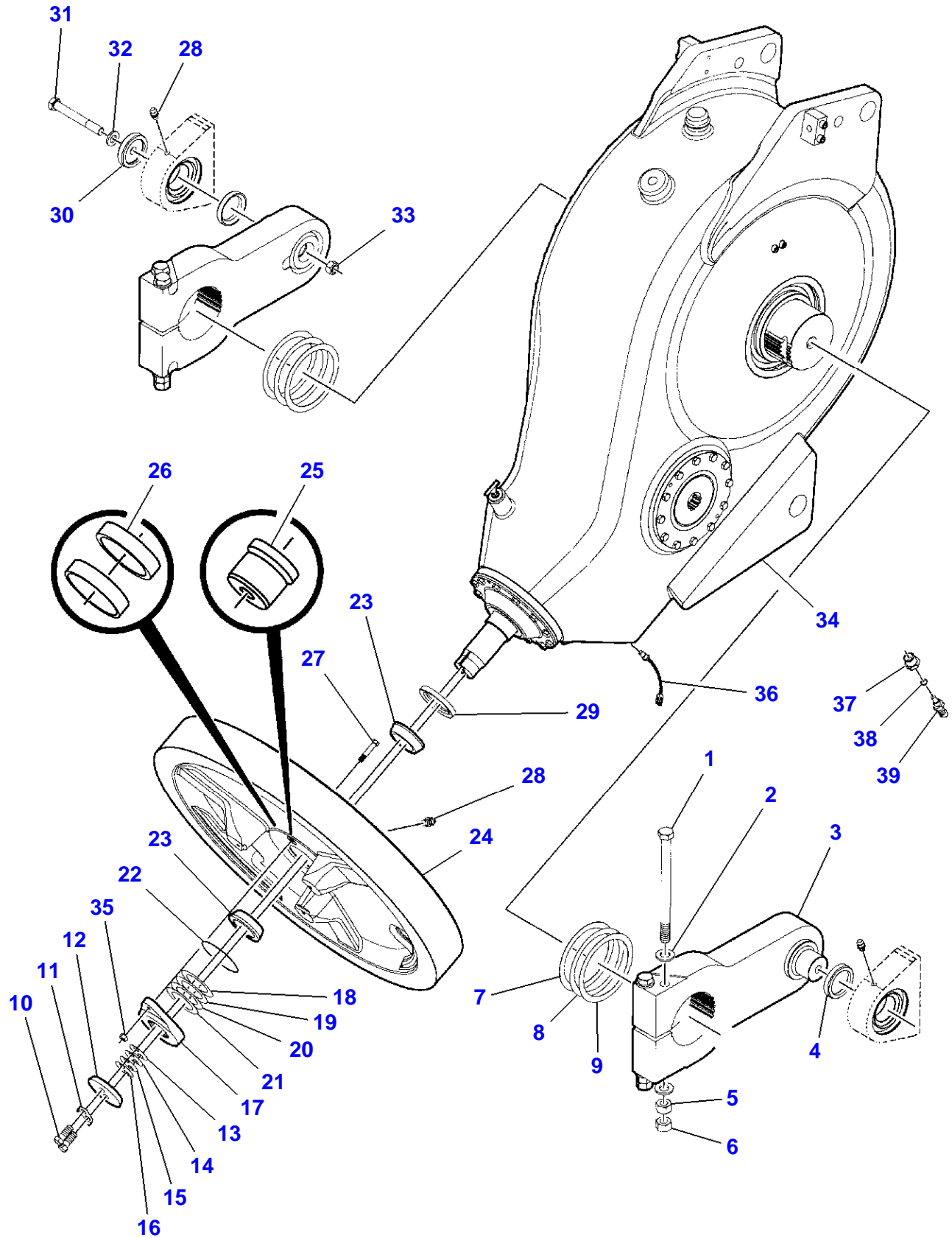
5-BA01-050-A



Transmission

Item	Part Number	Qty	Description	Comments
1	700721786	1	Shaft	
2	700721788	1	Tube	
3	700721791	1	Guard	(1)
4	700707960	1	Decal	(1)
5	700720152	1	Kit, Chain	(1)
6	700721790	1	Kit, Repair	(1)
7	700721789	1	Yoke	(1)
8	7815053	1	Kit	(1)
9	13223X	1	Nipple	(8) 1/8-27 X 65
10	700706955	1	Yoke	(1)
11	13223X	1	Nipple	(10) 1/8-27 X 65
12	700706956	1	Bearing	(10)
13	1124697	1	Bearing	(10)
14	70927699	1	Ring	(10)
15	700721794	1	Yoke	(2)
16	7815053	1	Kit	(2)
17	13223X	1	Nipple	(16) 1/8-27 X 65
18	700721793	1	Yoke	(2)
19	210371	1	Decal	(2)
20	70923219	1	Greaser	(2) 1/4-28
21	700721790	1	Kit, Repair	(2)
22	700720152	1	Kit, Chain	(2)
23	700721792	1	Guard	(2)

5-BA01-038-C



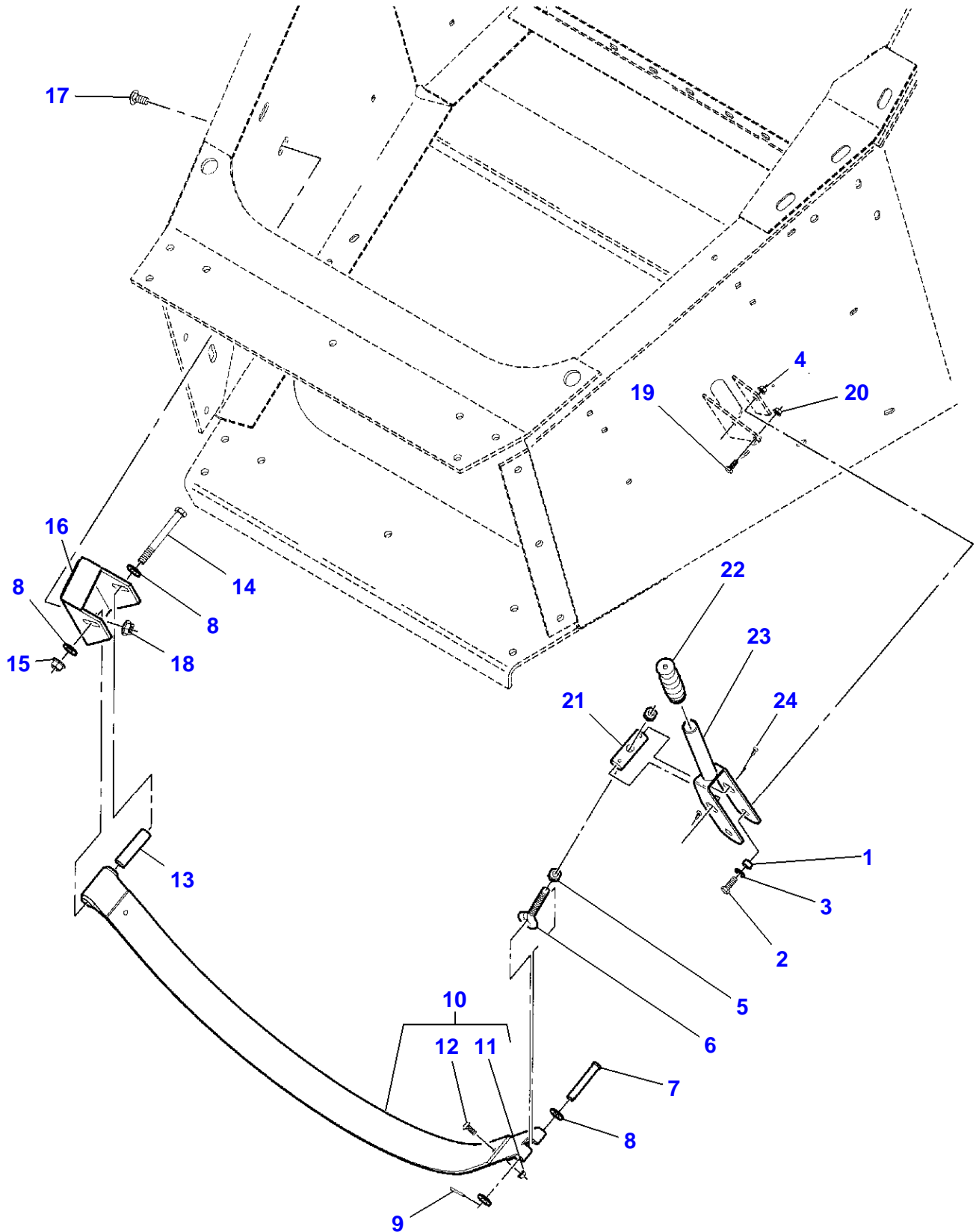
Transmission - Flywheel

Item	Part Number	Qty	Description	Comments
1	700716699	4	Capscrew	7/8-9 X 12
2	705665	8	Washer	7/8
3	700137103P	2	Arm	
4	700137106P	2	Spacer	
5	700716698	4	Nut	7/8-9
6	70935213	4	Nut	7/8-9
7	700708038	2	Shim	Thickness 0.25/.010
8	700708039	2	Shim	Thickness 0.64/.025
9	700708041	2	Shim	Thickness 1.20/.048
10	700708355	2	Bolt	M16 X 2 X 40
11	700113045P	1	Locking Plate	
12	700113044P	1	Cap	
13	700706059	1	Shim	Thickness 0.08/.003
14	700707993	1	Shim	Thickness 0.51/.020
15	700706061	1	Shim	Thickness 0.25/.010
16	700706060	1	Shim	Thickness 0.13/.005
17	700137135P	1	Hub	
18	700706056	1	Shim	Thickness 0.08/.003
19	700706058	1	Shim	Thickness 0.25/.010
20	700706057	1	Shim	Thickness 0.13/.005
21	700707991	1	Shim	Thickness 0.51/.020
22	700706050	1	O Ring	
23	700706039	2	Bearing Cone	
24	700152213P	1	Flywheel	
25	7852718	1	Sleeve	(24)
26	700706038	2	Bearing Cup	(24)
27	6521868	1	Bolt Assy	7/16-14 X 2-1/8
28	70923219	3	Greaser	1/4-28
29	700706045	1	Seal	
30	700137107P	1	Washer	
31	70922978	1	Capscrew	3/4-10 X 6
32	Y705666	1	Washer	3/4
33	700710072	1	Locknut	3/4-10
34	700721657P	1	Gearbox	
35	370873X1	1	Nut	7/16-14
36			Not Used	
37	71393718	1	Sensor	
38	7040330	1	O Ring	
39	700153111	1	Adaptor	

FOOTNOTE [A] STANDARD

FOOTNOTE [B] WITH ELECTRONIC CONTROL

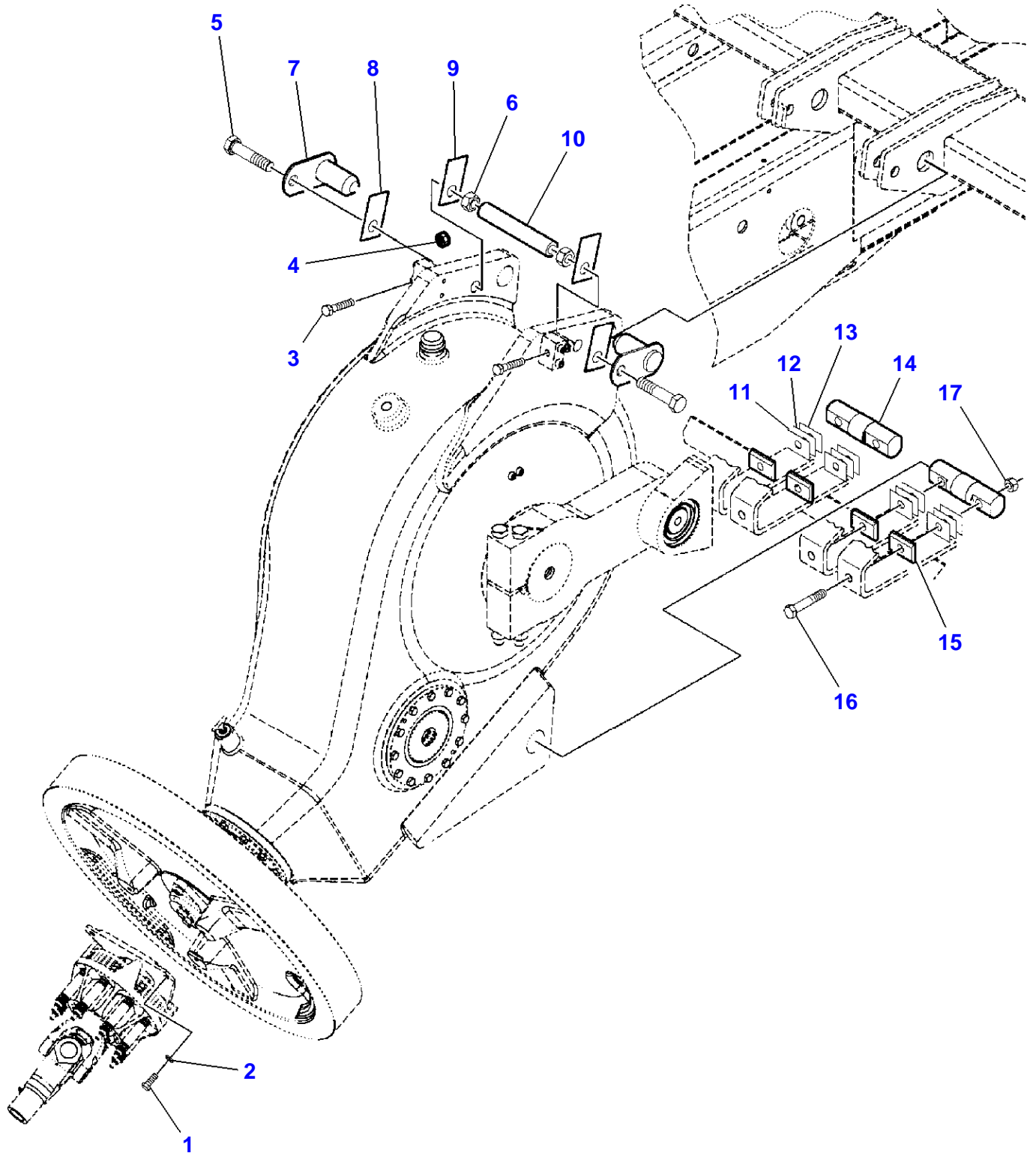
5-BA01-037-B



Transmission - Flywheel

Item	Part Number	Qty	Description	Comments
1	6489231	2	Spacer	
2	353691X1	2	Bolt Unc	3/8-16 X 1
3	Y705533	2	Washer	3/8
4	Y704734	2	Top Locknut	3/8-16
5	7704752	2	Nut	1/2-13
6	766667	1	Eye Bolt	1/2-13 X 10
7	63883	1	Clevis Pin	1/2 X 3
8	705541	12	Flat Washers	1/2
9	354066X1	1	Pin	5/32 X 1
10	700113058U	1	Band	
11	70931277	2	Locknut	(10)
12	70918249	2	Screw	(10)
13	6524003P	1	Spacer	
14	354667X1	1	Bolt Unc	1/2-13 X 4-1/2
15	Y704742	1	Top Locknut	1/2-13
16	700137607P	1	Channel	
17	70928367	2	Bolt	1/2-13 X 1
18	700714586	2	Nut	1/2-13
19	70921332	1	Capscrew	5/16-18 X 3/4
20	Y704726	1	Top Locknut	5/16-18
21	700113057P	1	Pin	
22	27342	1	Grip	
23	700113054P	1	Handle	
24	354080X1	2	Split Pin	3/16 X 1-1/2

5-BA19-015-A





Suggest:

For more complete manuals. Please go to the home page.

<https://www.ebooklibonline.com>

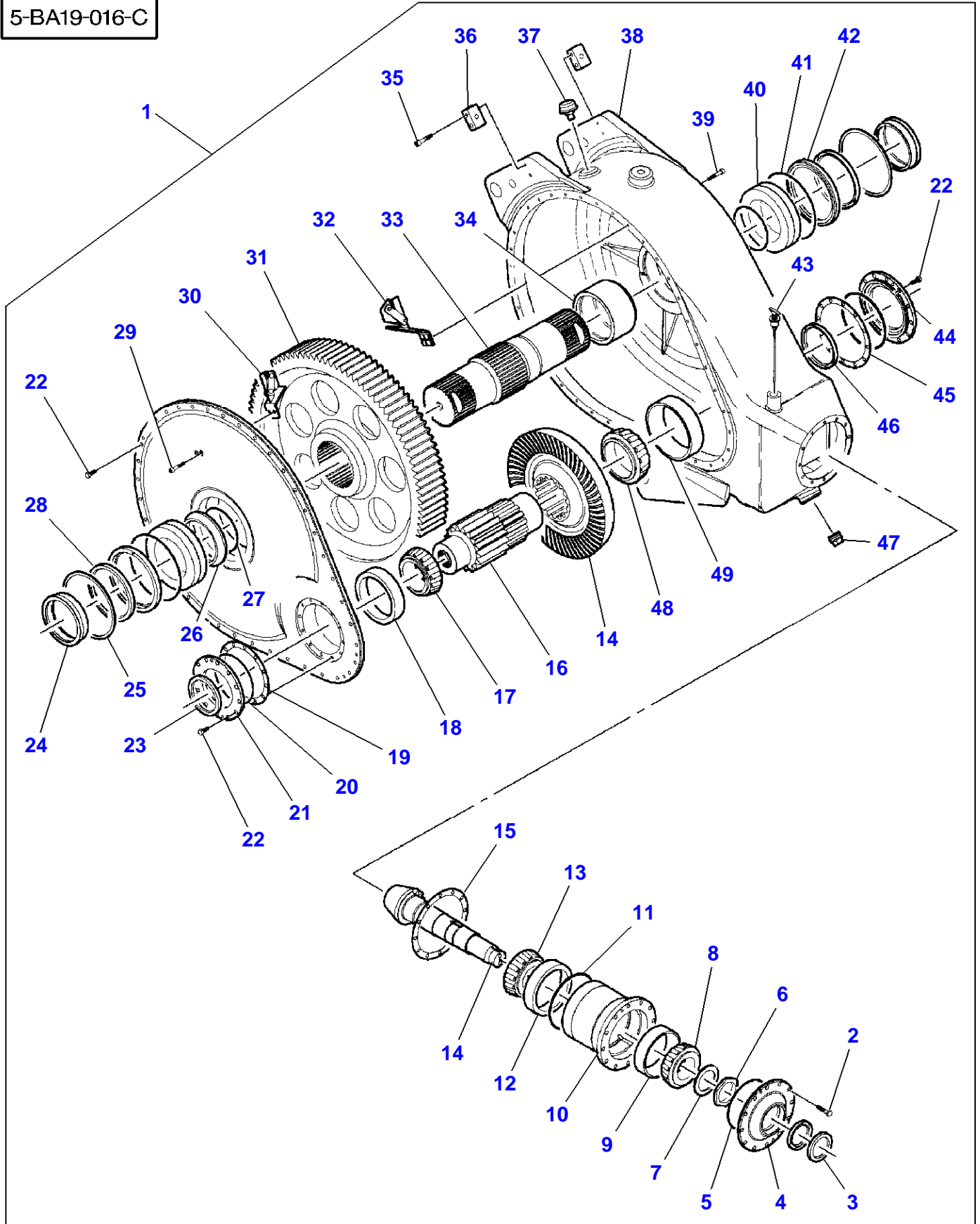
If the above button click is invalid. Please download this document first, and then click the above link to download the complete manual.

Thank you so much for reading

Gearbox

Item	Part Number	Qty	Description	Comments
1	70921176	3	Screw	1/2-13 X 1-1/4
2	353439X1	3	Lock Washer	1/2
3	7771504	2	Capscrew	5/8-11 X 3
4	70932665	2	Nut	5/8-11
5	700710263	2	Capscrew	1-8 X 4-1/2
6	700710264	2	Top Locknut	1-8
7	700113047P	2	Pin	
8	700122653	2	Shim	
9	700122654	2	Shim	
10	700137136P	1	Tube	
11	700706062	4	Shim	Thickness .076/.003"
12	700706063	4	Shim	Thickness .130/.005"
13	700706064	4	Shim	Thickness .250/.010"
14	700122650	2	Pin	
15	700113042P	4	Spacer	
16	70925387	4	Screw	3/4-10 X 4
17	700703923	4	Top Locknut	3/4-10

5-BA19-016-C



<https://www.ebooklibonline.com>

Hello dear friend!

Thank you very much for reading.

Enter the link into your browser.

The full manual is available for immediate download.

<https://www.ebooklibonline.com>