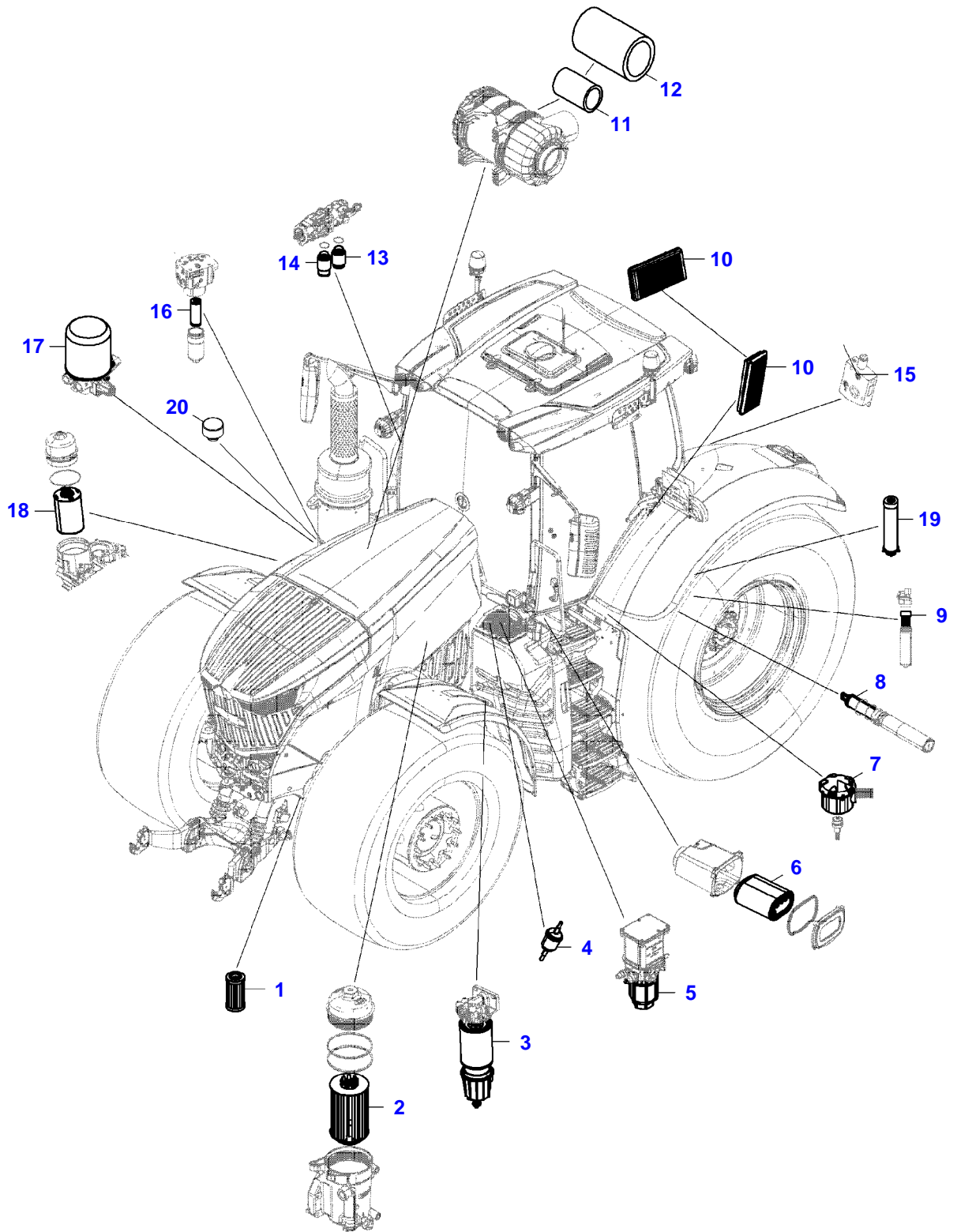


TABLE OF CONTENT

| Page Number | Page Title | Page Reference |
|--------------------|-------------------------------------|-----------------------|
| 01-000-TOC | ENGINE, FUEL AND EXHAUST SYSTEM | 01-000-TOC |
| 02-000-TOC | AXLES | 02-000-TOC |
| 03-000-TOC | STEERING SYSTEM | 03-000-TOC |
| 04-000-TOC | DRIVE TRAIN SYSTEM | 04-000-TOC |
| 05-000-TOC | COMPRESSED AIR SYSTEM | 05-000-TOC |
| 06-000-TOC | HYDRAULIC SYSTEM | 06-000-TOC |
| 07-000-TOC | ELECTRICAL SYSTEM | 07-000-TOC |
| 08-000-TOC | CAB | 08-000-TOC |
| 09-000-TOC | AIR CONDITIONING AND HEATING SYSTEM | 09-000-TOC |
| 10-000-TOC | CHASSIS | 10-000-TOC |
| 11-000-TOC | DECALS | 11-000-TOC |
| 12-000-TOC | WHEELS | 12-000-TOC |
| 13-000-TOC | IMPLEMENT LIFT SYSTEM FRONT | 13-000-TOC |
| 14-000-TOC | IMPLEMENT LIFT SYSTEM REAR | 14-000-TOC |
| 15-000-TOC | LINKAGE | 15-000-TOC |
| 16-000-TOC | PRECISION FARMING SYSTEMS | 16-000-TOC |
| 17-000-TOC | ACCESSORIES | 17-000-TOC |



14430928-M-1

| Item | Part Number | Qty | Description Comments | Technical Specification |
|------|-------------|-----|---|---------------------------|
| 1 | 72623924 | 1 | FILTER AXLE HOUSING SEE PAGE 02-0002 | FILTEREINSATZ-VORDERACHSE |
| 2 | ACP0153530 | 1 | FILTER ELEMENT FUEL FILTER SEE PAGE 01-0020 | |
| 3 | 72614253 | 1 | FILTER ELEMENT PRE FUEL FILTER SEE PAGE 01-0021 | |
| 4 | 72484191 | 1 | FILTER PREFILTER ADBLUE SEE PAGE 01-0050 | |
| 5 | ACP0153520 | 1 | DEF FILTER ADBLUE SEE PAGE 01-0050 | |
| 6 | 72620540 | 1 | FILTER CARTRIDGE FRESH AIR SEE PAGE 08-0043 | |
| 7 | ACP0225000 | 1 | FILTER ELEMENT FUEL AIR CLEANER SEE PAGE 01-0022 | |
| 8 | 72621035 | 1 | FILTER ELEMENT PUMP DRIVE SEE PAGE 04-0052 | GETRIEBEOEL |
| 9 | 72488569 | 1 | FILTER ELEMENT VALVES COMFORT SYSTEM SEE PAGE 04-0055 | |
| 10 | 72620539 | 2 | FILTER CAB AIR RECIRCULATION SEE PAGE 08-0042 | |
| 11 | 72622475 | 1 | SECONDARY AIR FILTER ELEMENT SEE PAGE 01-0042 | |
| 12 | 72622474 | 1 | PRIMARY AIR FILTER ELEMENT SEE PAGE 01-0042 | |
| 13 | 72438395 | 1 | SUCTION FILTER OIL TANK SEE PAGE 14-0016 | |
| 14 | 72451933 | 1 | SUCTION FILTER OIL TANK SEE PAGE 14-0016 | |
| 15 | 72470364 | 1 | FILTER END PLATE SEE PAGE 06-0045 | |
| 16 | 72493246 | 1 | HYDRAULIC FILTER CENTRAL CONTROL BLOCK SEE PAGE 06-0077 | STEUERDRUCK |
| 17 | 72437515 | 1 | CARTRIDGE JET AIR DRIER SEE PAGE 05-0005 | LUFTTROCKNER |
| 18 | ACP0154860 | 1 | FILTER CARTRIDGE OIL FILTER SEE PAGE 01-0016 | |
| 19 | 72620607 | 1 | RETURN FILTER OIL TANK SEE PAGE 14-0016 | |
| 20 | 72364577 | 1 | VENTILATION FILTER OIL FILLING SOCKET SEE PAGE 14-0013 FROM - UP TO MACHINE S/N 529/1001 - 529/1067 | |

<https://www.ebooklibonline.com>

Hello dear friend!

Thank you very much for reading.

Enter the link into your browser.

The full manual is available for immediate download.

<https://www.ebooklibonline.com>

Fendt

FENDT 1046NA S4 (529/00101-05000) (WAM529XXX00F05001-99999)

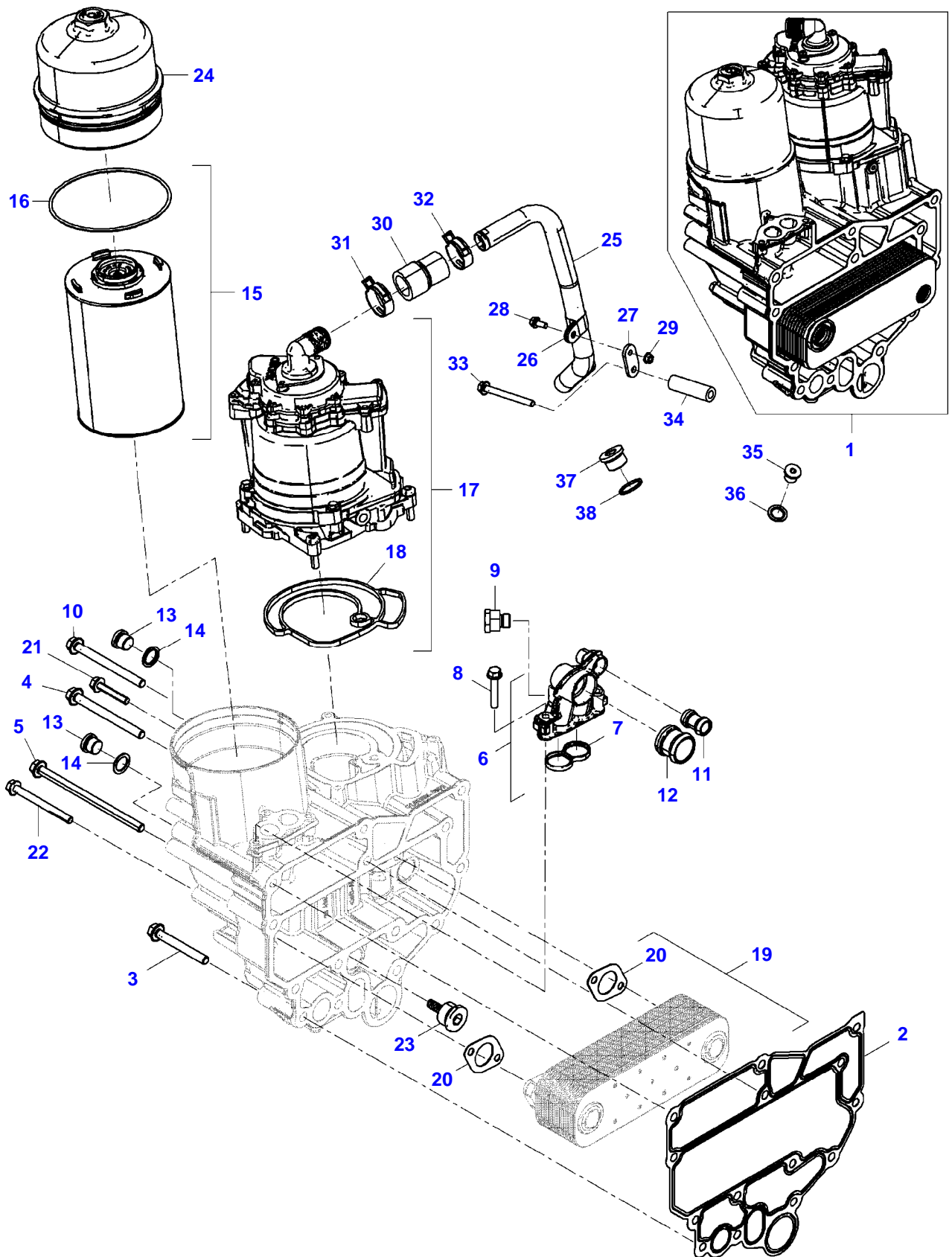
F529105

OVERVIEW - FILTER

Page01-0001

| Item | Part Number | Qty | Description Comments | Technical Specification |
|------|-------------|-----|---|-------------------------|
| | 72629564 | 1 | VENTILATION FILTER OIL FILLING SOCKET SEE PAGE 14-0014 FROM MACHINE S/N WAM529XXX00F05001 | HYDRAULIK |

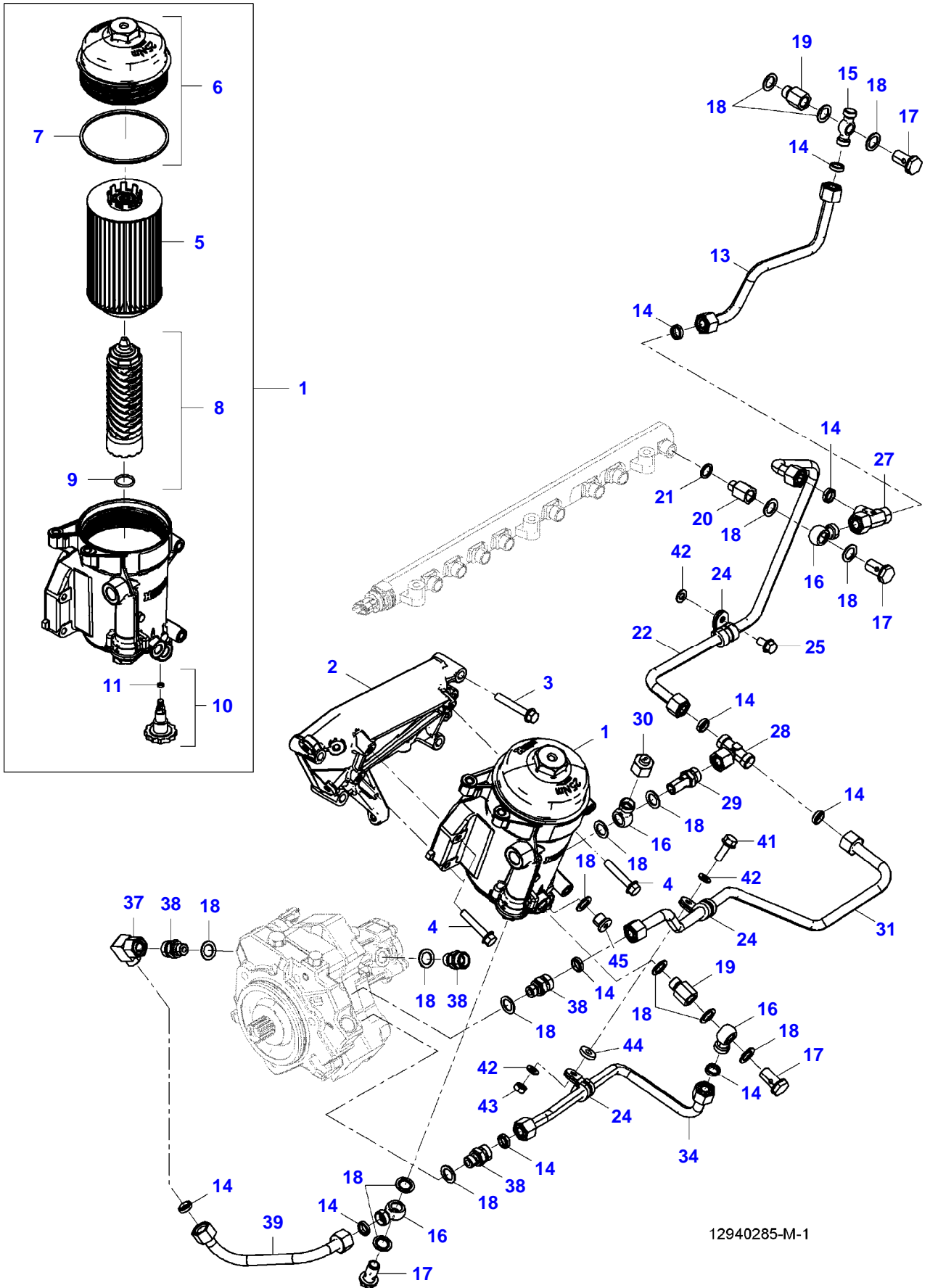
FENDT 1046NA S4 (529/00101-05000) (WAM529XXX00F05001-99999)
12937280-M-1



23235644-M-1

| Item | Part Number | Qty | Description Comments | Technical Specification |
|------|-------------|-----|--|-------------------------|
| 1 | ACP0300530 | 1 | OIL MODULE ASSEMBLY INCLUDES ITEMS 15-24 | |
| 2 | ACP0411280 | 1 | GASKET | |
| 3 | 72624244 | 8 | HEX FLANGE CAPSCREW | M10X80-10.9 |
| 4 | 72627945 | 4 | HEX FLANGE CAPSCREW | M10X160 |
| 5 | 72627915 | 2 | HEX FLANGE CAPSCREW | |
| 6 | ACP0353570 | 1 | FLANGE INCLUDES ITEMS 7 | |
| 7 | | | NOT AVAILABLE IN SINGLE PARTS | |
| 8 | 72624663 | 3 | HEX FLANGE CAPSCREW | M8X45-10.9 |
| 9 | 72657407 | 1 | SCREW NECK | M16X1,5/M18X1,5 |
| 10 | 72627945 | 1 | HEX FLANGE CAPSCREW | M10X160 |
| 11 | 72624609 | 1 | EXTENSION TUBE | |
| 12 | 72624610 | 1 | EXTENSION TUBE | |
| 13 | 72629226 | 2 | PLUG SCREW | |
| 14 | 72623466 | 2 | SEALING WASHER | PCS-18,3X26-ST/FKM1-80 |
| 15 | ACP0154860 | 1 | FILTER CARTRIDGE INCLUDES ITEMS 16 | |
| 16 | 72624577 | 1 | O-RING SEAL | 126X4 |
| 17 | ACP0300540 | 1 | OIL SEPARATOR INCLUDES ITEMS 18 | |
| 18 | 72627918 | 1 | GASKET | |
| 19 | 72627919 | 1 | OIL COOLER INCLUDES ITEMS 20 | |
| 20 | 72627920 | 2 | OIL COOLER SEAL | |
| 21 | 72624219 | 2 | HEX FLANGE CAPSCREW | M8X45-8.8 |
| 22 | 72624220 | 2 | HEX FLANGE CAPSCREW | M8X90-8.8 |
| 23 | 72624396 | 1 | PRESSURE-RELIEF VALVE | |
| 24 | 72624398 | 1 | LID | |
| 25 | 72624343 | 1 | BREATHER LINE INCLUDES ITEMS 26-29 | |
| 26 | 72624317 | 1 | BRACKET CLAMP | A1-22X20-W4 |
| 27 | 72624492 | 1 | HOLDER | |
| 28 | 72624207 | 1 | HEXAGONAL HEAD BOLT | M8X20-10.9 |
| 29 | 72624274 | 1 | HEX NUT | M8-8 |
| 30 | 72624572 | 1 | HOSE | |
| 31 | 72605607 | 1 | CLIP | |
| 32 | 72608303 | 1 | CLIP | |
| 33 | 72624245 | 1 | HEX FLANGE CAPSCREW | M10X100-10.9 |
| 34 | 72649480 | 1 | BUSHING | 12,5X24X80 |
| 35 | 72629224 | 1 | PLUG SCREW | |
| 36 | 72624303 | 1 | SEALING WASHER | 14,3X22X1,5-ST/FKM1-80 |
| 37 | 72624273 | 1 | PLUG SCREW | M24X1,5-ST-M3360-RK12-K |
| 38 | 72624296 | 1 | SEALING WASHER | A24X29-CU |

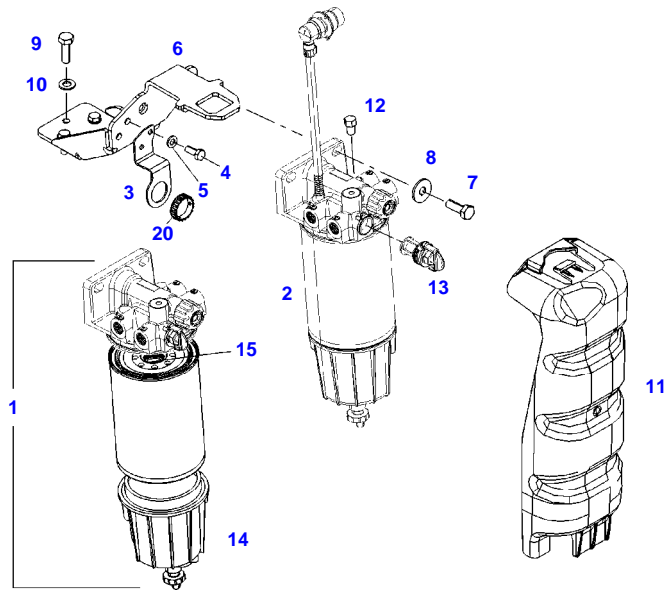
FENDT 1046NA S4 (529/00101-05000) (WAM529XXX00F05001-99999)
 12940285-M-1



12940285-M-1

FUEL FILTERS

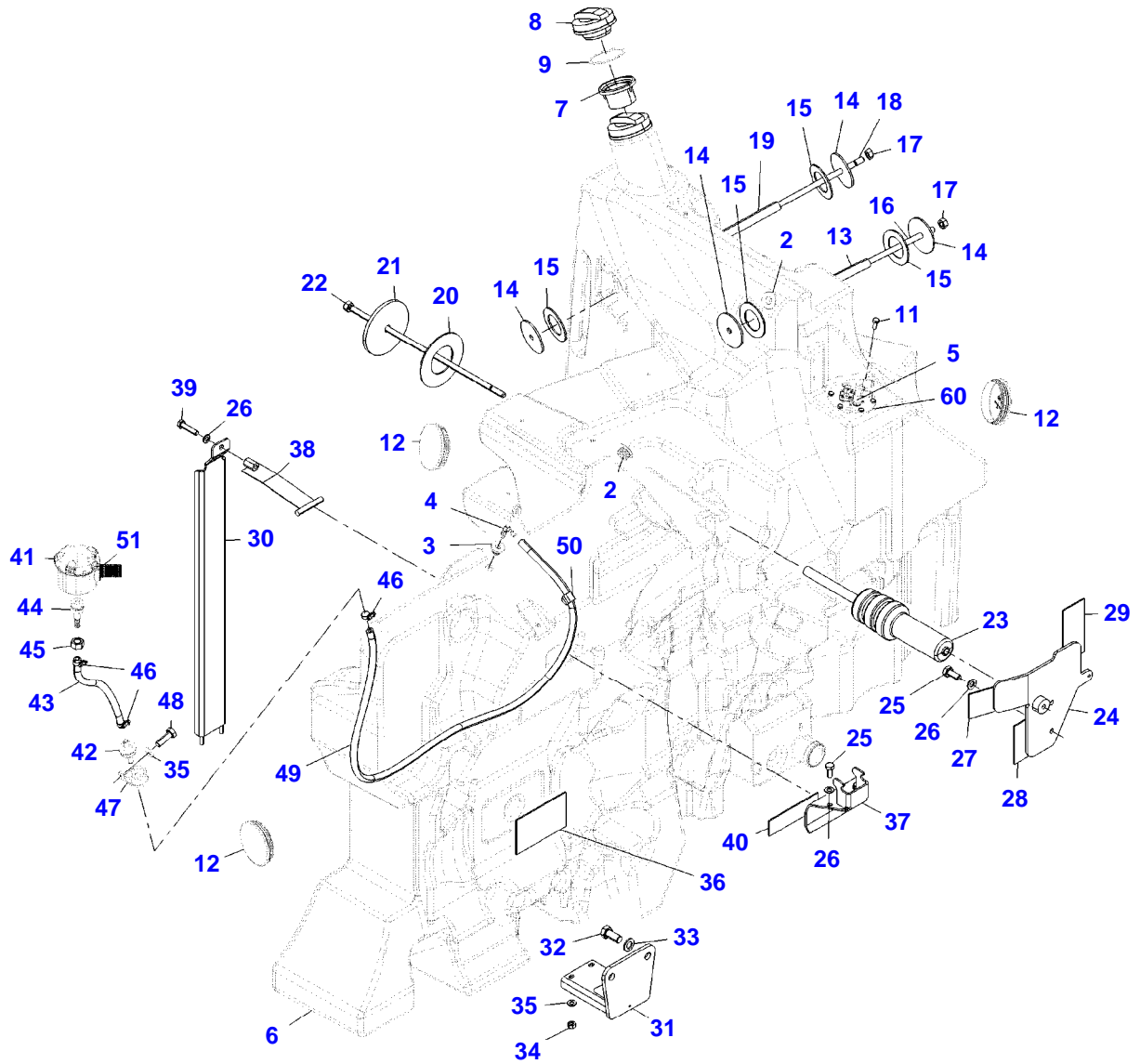
| Item | Part Number | Qty | Description Comments | Technical Specification |
|------|-------------|-----|---------------------------------------|-------------------------|
| 1 | 72624483 | 1 | FUEL FILTER INCLUDES ITEMS 5-11 | |
| 2 | 72624488 | 1 | HOLDER | |
| 3 | 72624235 | 4 | HEX FLANGE CAPSCREW | M8X55-10.9 |
| 4 | 72624663 | 3 | HEX FLANGE CAPSCREW | M8X45-10.9 |
| 5 | ACP0410280 | 1 | FILTER ELEMENT | |
| 6 | 72624485 | 1 | LID INCLUDES ITEMS 7 | |
| 7 | 72624574 | 1 | O-RING SEAL | 100X4-HNBR-60 |
| 8 | 72624484 | 1 | SUPPORT PIPE INCLUDES ITEMS 9 | |
| 9 | 72624298 | 1 | O-RING SEAL | 18X2,5B-FKM1-70-GN |
| 10 | 72624542 | 1 | DRAIN PLUG INCLUDES ITEMS 11 | |
| 11 | 72624575 | 1 | O-RING SEAL | 4,5X2-FPM |
| 13 | 72624482 | 1 | FUEL LINE INCLUDES ITEMS 14 | 12X1,5 |
| 14 | 72624576 | 10 | SEALING WASHER | E02-12L-ST-VITON |
| 15 | 72624593 | 1 | BANJO UNION | |
| 16 | 72346246 | 4 | RING FITTING | |
| 17 | 72417155 | 4 | BANJO BOLT | |
| 18 | 72624303 | 17 | SEALING WASHER | 14,3X22X1,5-ST/FKM1-80 |
| 19 | 72316290 | 2 | NOZZLE | |
| 20 | 72624600 | 1 | REDUCING STUD | M12X1,5/M14X1,5 |
| 21 | 72624302 | 1 | SEALING WASHER | 12,3X18X1,5-ST/FKM1-80 |
| 22 | 72624481 | 1 | FUEL LINE INCLUDES ITEMS 23,24 | 12X1,5 |
| 24 | 72608293 | 3 | CLIP | |
| 25 | 72624230 | 1 | HEX FLANGE CAPSCREW | M8X20-10.9 |
| 27 | 72624324 | 1 | DIVIDER UNION | L12-NBR |
| 28 | 72624596 | 1 | T-FITTING | L12 |
| 29 | 72624604 | 1 | BANJO BOLT | |
| 30 | 72624543 | 1 | LOCKING PLUG | M18X1,5 |
| 31 | 72624480 | 1 | FUEL LINE INCLUDES ITEMS 32,33 | 12X1,5 |
| 34 | 72624479 | 1 | FUEL LINE INCLUDES ITEMS 35,36 | 12X1,5 |
| 37 | 72624597 | 1 | SOCKET | L12-ST |
| 38 | 72624598 | 4 | SOCKET | L12M14X1,5-ST |
| 39 | 72624478 | 1 | FUEL LINE INCLUDES ITEMS 40 | |
| 41 | 72624231 | 1 | HEX FLANGE CAPSCREW | M8X25-10.9 |
| 42 | 72649375 | 3 | WASHER | 8X16X1,6-200HV |
| 43 | 72624274 | 1 | HEX NUT | M8-8 |
| 44 | 72624549 | 1 | WASHER | 8,4X20X4-9SMNPB28K |
| 45 | 72624271 | 1 | PLUG SCREW | M14X1,5-ST-M3360-RK10-K |



F061570

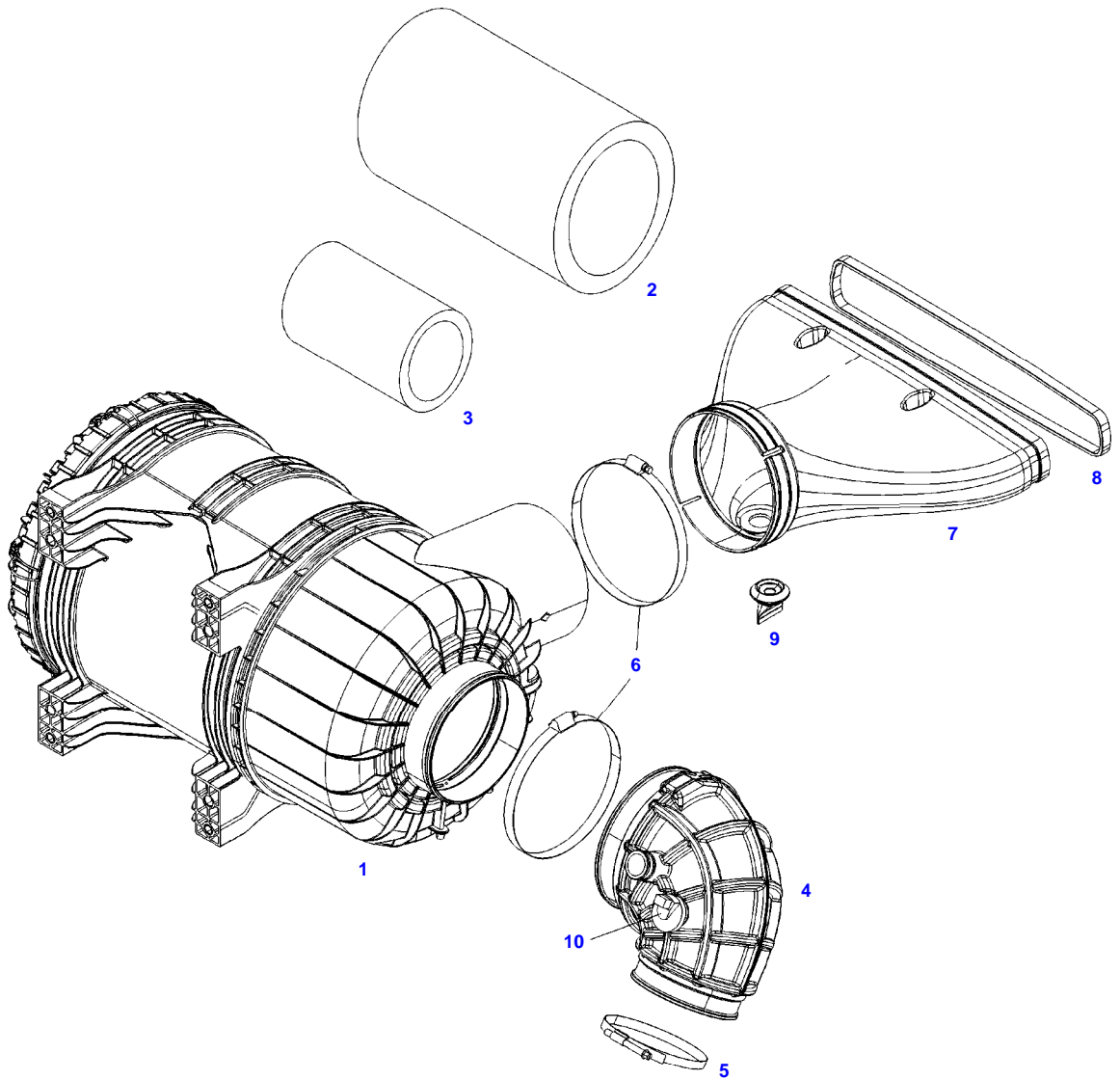


| Item | Part Number | Qty | Description Comments | Technical Specification |
|------|-------------|-----|---|-------------------------|
| 1 | 72623758 | 1 | FUEL PREFILTER INCLUDES ITEMS 12-15 | |
| 2 | 72623759 | 1 | FUEL PREFILTER HEATED INCLUDES ITEMS 12-15 | |
| 3 | 72619544 | 1 | ANGLE | |
| 4 | 72315626 | 2 | HEXAGONAL HEAD BOLT | DIN 933-M6 X 16-8.8-A3L |
| 5 | 72311787 | 2 | DISC | DIN 125-6,4-ST.A3L |
| 6 | 72623755 | 1 | HOLDER UP TO MACHINE S/N WAM529XXX00F05074 | |
| | 72655509 | 1 | HOLDER FROM MACHINE S/N WAM529XXX00F05075 | |
| 7 | 72315685 | 2 | HEXAGONAL HEAD BOLT | DIN 933 M10X30-8.8A3L |
| 8 | 72311827 | 2 | DISC | DIN9021-10,5-140HV-A3L |
| 9 | 72315653 | 3 | HEXAGONAL HEAD BOLT | DIN 933 M8 X 25-8.8A3L |
| 10 | 72311788 | 3 | DISC | DIN 125-8,4-ST.A3L |
| 11 | 72600654 | 1 | COVERING | |
| 12 | 72470047 | 1 | BLEED SCREW | |
| 13 | 72610620 | 1 | THERMOSTATIC VALVE | |
| 14 | 72440017 | 1 | CONTAINER B091 | |
| 15 | 72614253 | 1 | FILTER ELEMENT | |
| 20 | 72485325 | 1 | MOUNTING RING | |



13071451-M-1

| Item | Part Number | Qty | Description Comments | Technical Specification |
|------|-------------|-----|---|-----------------------------|
| 2 | 72619547 | 2 | GROMMET | |
| 3 | 72441345 | 1 | SPOUT | |
| 4 | 72478216 | 1 | REDUCING ELBOW HOSE CONNECTION | |
| 5 | 72623754 | 1 | FUEL TRANSMITTER | |
| 6 | 72649570 | 1 | FUEL TANK INCLUDES ITEMS 7-10 | LI |
| 7 | 72419182 | 1 | THREADED INSERT | |
| 8 | 72417260 | 1 | FUEL CAP | |
| | 72423400 | 1 | FUEL CAP LOCKABLE | |
| 9 | 72452730 | 1 | O-RING | 75X4-70 FPM 173104 FWN56402 |
| 11 | ACW0775760 | 6 | HEXAGON FLANGE BOLT | EN1665 M6X1X16-8 VDA30 |
| 12 | 72441667 | 3 | LOCKING PLUG | GL102 |
| 13 | 72619549 | 1 | SPACER TUBE | |
| 14 | 72619542 | 4 | DISC | |
| 15 | 72619543 | 4 | FELT DISC | |
| 16 | 72624173 | 1 | THREAD BOLT | |
| 17 | 72313276 | 2 | NUT | DIN 934 M12-8A3L |
| 18 | 72624172 | 1 | THREAD BOLT | |
| 19 | 72619551 | 1 | SPACER TUBE | |
| 20 | 72437083 | 1 | FELT WASHER | |
| 21 | 72437598 | 1 | DISC | |
| 22 | 72624171 | 1 | THREAD BOLT | |
| 23 | 72631198 | 1 | HOLDER | |
| 24 | 72623756 | 1 | HOLDER | |
| 25 | 72315681 | 5 | HEXAGONAL HEAD BOLT | DIN 933 M10X25-8.8A3L |
| 26 | 72311789 | 6 | DISC | DIN 125-10,5-ST.A3L |
| 27 | 72619019 | 1 | FELT STRIP | 3X65X84_FWN63024 |
| 28 | 72619015 | 1 | FELT STRIP | 3X55X100_FWN63024 |
| 29 | 72619020 | 1 | FELT STRIP | 3X65X140_FWN63024 |
| 30 | 72620338 | 1 | STAY | |
| 31 | 72620333 | 1 | TANK SUPPORT | |
| 32 | 72315732 | 2 | HEXAGONAL HEAD BOLT | DIN 933 M16X35-8.8A3L |
| 33 | 72311793 | 2 | DISC | DIN 125-17-ST.A3L |
| 34 | 72313268 | 2 | NUT | DIN 934 M8-8A3L |
| 35 | 72311788 | 3 | DISC | DIN 125-8,4-ST.A3L |
| 36 | 72619026 | 1 | FELT STRIP | 3X90X150_FWN63024 |
| 37 | 72619548 | 1 | SHEET METAL | |
| 38 | 72620337 | 1 | BAND CLAMP | |
| 39 | 72315693 | 1 | HEXAGONAL HEAD BOLT | DIN 933 M10X45-8.8A3L |
| 40 | 72619013 | 1 | FELT STRIP | 3X40X150_FWN63024 |
| 41 | 72623748 | 1 | AIR FILTER INCLUDES ITEMS 51 | |
| 42 | 4351598M1 | 1 | NON RETURN VALVE | |
| 43 | 72486217 | 1 | PRESSURE HOSE CUT TO LENGTH L=250MM | L=0,280 |
| 44 | 72623753 | 1 | UNION | |
| 45 | 72313286 | 1 | NUT | DIN 934 M16X1,5-8A3L |
| 46 | 72438345 | 3 | HOSE CLIP | |
| 47 | 72311252 | 1 | PIPE CLAMP | |
| 48 | 72315653 | 1 | HEXAGONAL HEAD BOLT | DIN 933 M8 X 25-8.8A3L |
| 49 | 72420605 | 1 | PRESSURE HOSE CUT TO LENGTH L=1650 MM | L=1750 E9X3 FWN 66041 |
| 50 | 72418527 | 1 | CLIP | WELLROHR |
| 51 | ACP0225000 | 1 | FILTER ELEMENT | |
| 60 | 72643192 | 1 | FLANGE WASHER | |



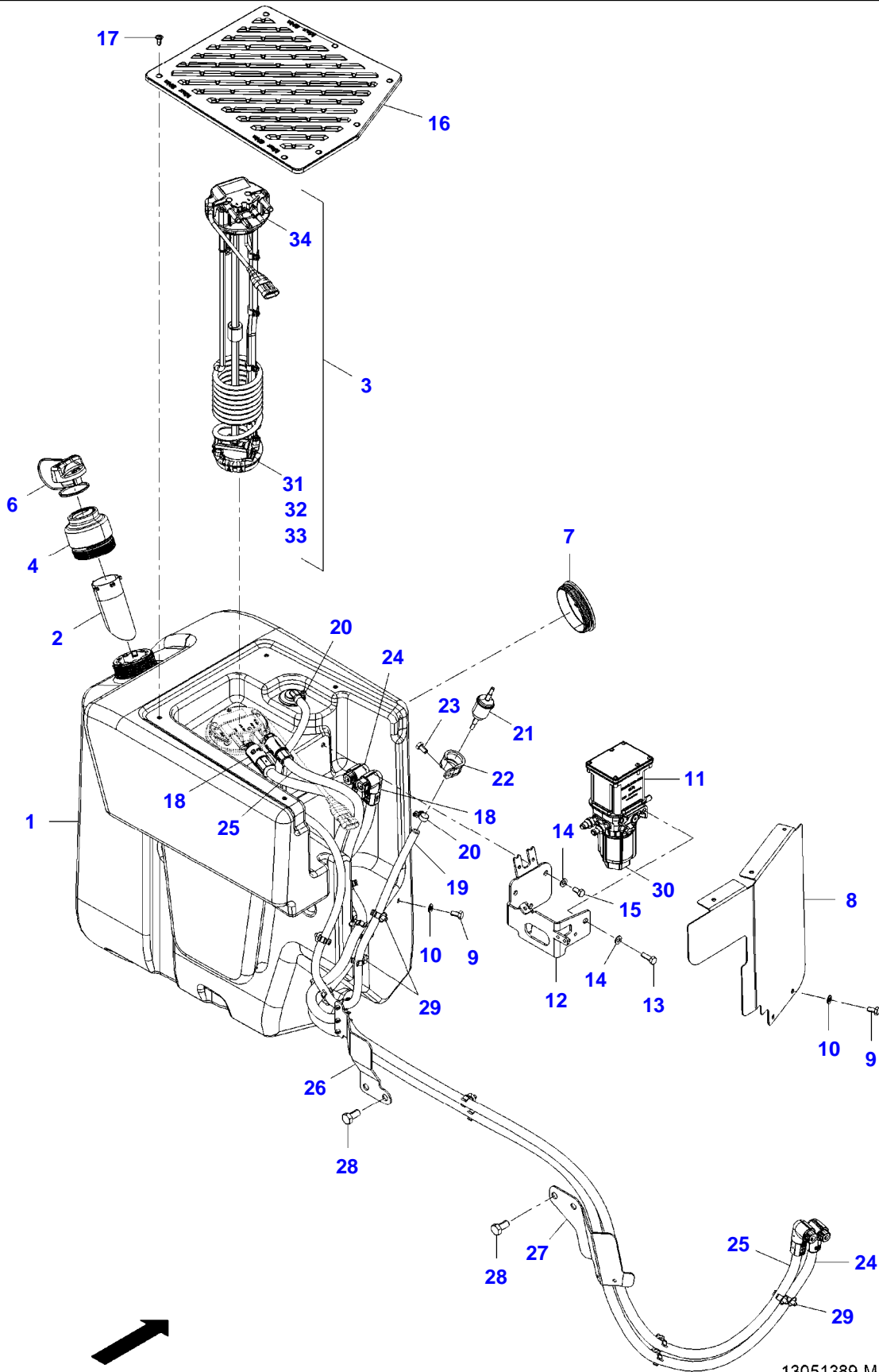
F061214



AIR FILTER

| Item | Part Number | Qty | Description Comments | Technical Specification |
|------|-------------|-----|-------------------------------------|-------------------------|
| 1 | 72620063 | 1 | AIR FILTER INCLUDES ITEMS 2,3 | |
| 2 | 72622474 | 1 | PRIMARY AIR FILTER ELEMENT | |
| 3 | 72622475 | 1 | SECONDARY AIR FILTER ELEMENT | |
| 4 | 72620064 | 1 | AIR INTAKE HOSE | |
| 5 | 72311175 | 1 | HOSE CLIP | |
| 6 | 72493427 | 2 | HOSE CLIP | 180-200 |
| 7 | 72619556 | 1 | UNTREATED AIR CHANNEL | |
| 8 | 72621056 | 1 | SEALING STRIP | 15X10_L=1,080M |
| 9 | 72619754 | 1 | SPOUT | |
| 10 | 72626286 | 1 | MAINTENANCE SWITCH B215 | |

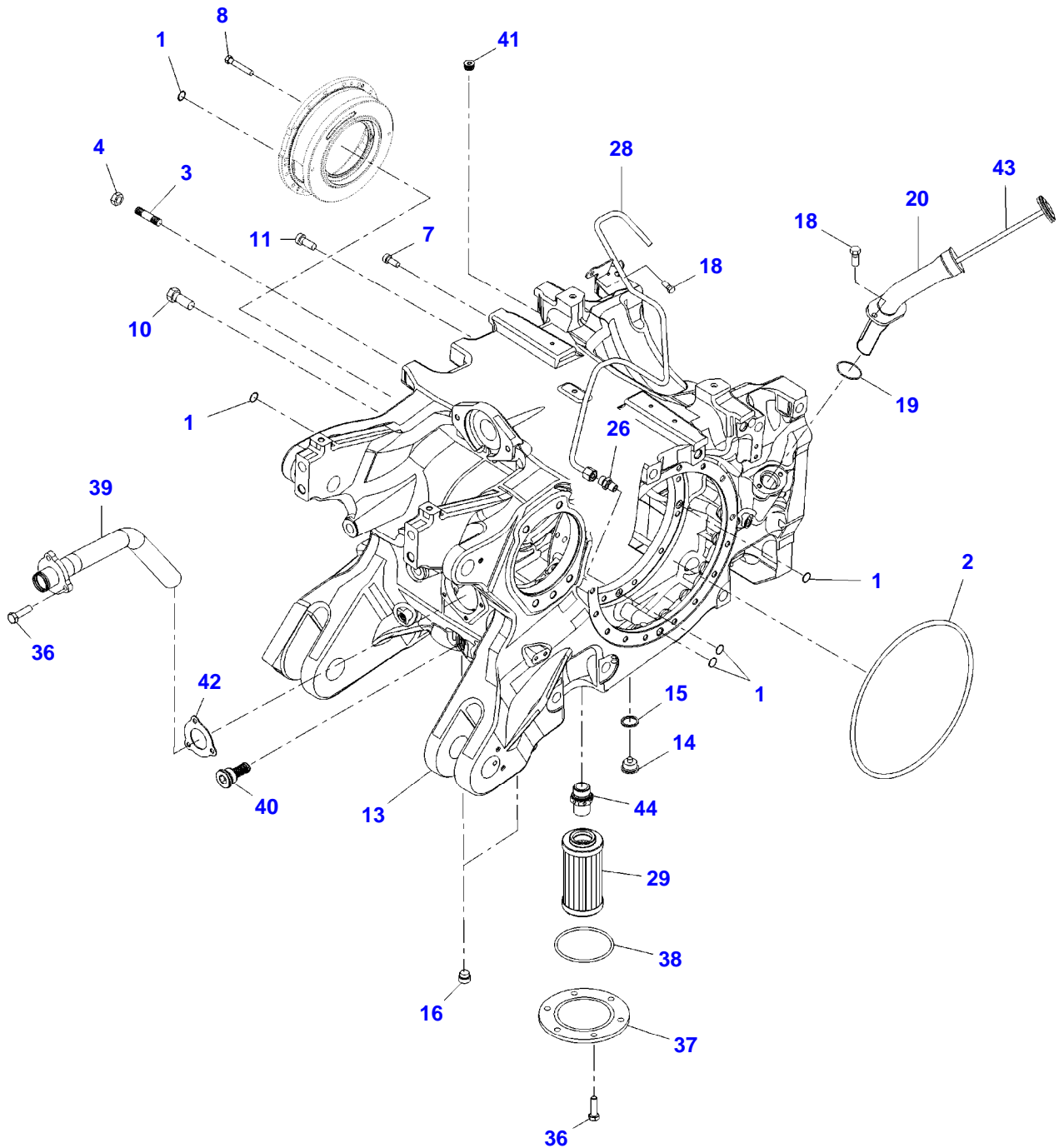
FENDT 1046NA S4 (529/00101-05000) (WAM529XXX00F05001-99999)
13051389-M-2



13051389-M-2

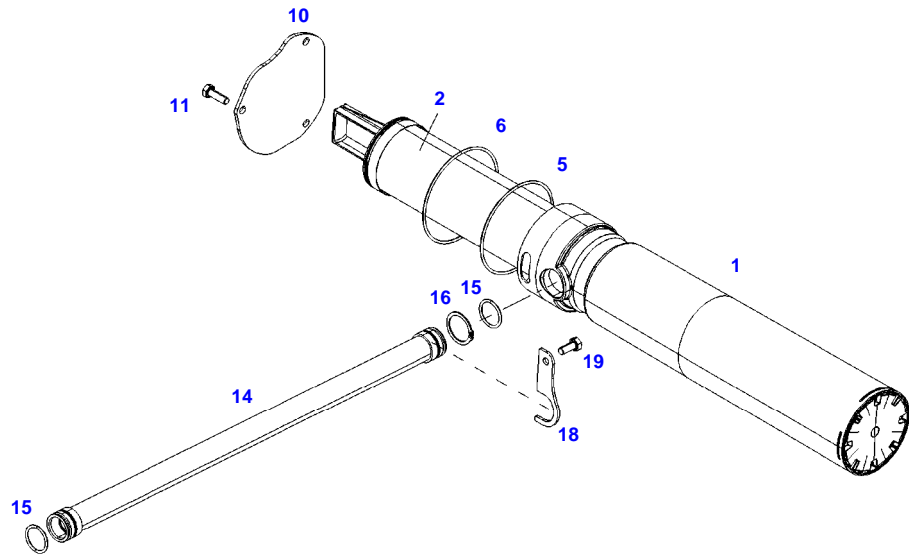
| Item | Part Number | Qty | Description Comments | Technical Specification |
|------|-------------|-----|---|-------------------------|
| | | | PIPING UP TO MACHINE S/N WAM529XXX00F05073 | |
| 1 | 72618761 | 1 | DEF TANK | ADBLUE |
| 2 | 72619577 | 1 | TUBE | |
| 3 | 72652666 | 1 | DEF SENSOR B195 INCLUDES ITEMS 31-34 | |
| 4 | 72620072 | 1 | FILLER | |
| 6 | 72489115 | 1 | FUEL CAP LOCKABLE | |
| | 72489117 | 1 | FUEL CAP | |
| 7 | 72441667 | 1 | LOCKING PLUG | GL102 |
| 8 | 72620362 | 1 | COVER PANEL | |
| 9 | 72315642 | 2 | HEXAGONAL HEAD BOLT | DIN 933 M8 X 16-8.8A3L |
| 10 | 72311788 | 2 | DISC | DIN 125-8,4-ST.A3L |
| 11 | 72620069 | 1 | SUPPLY UNIT A155 | DEF |
| 12 | 72624060 | 1 | HOLDER | |
| 13 | 72315653 | 2 | HEXAGONAL HEAD BOLT | DIN 933 M8 X 25-8.8A3L |
| 14 | 72311788 | 4 | DISC | DIN 125-8,4-ST.A3L |
| 15 | 72315642 | 2 | HEXAGONAL HEAD BOLT | DIN 933 M8 X 16-8.8A3L |
| 16 | 72620363 | 1 | COVER PANEL WITHOUT FIRE EXTINGUISHER | |
| 17 | 72441737 | 7 | OVAL HEAD SCREW | WN7381-M6X16-A2 NIRO |
| 18 | 72620386 | 1 | HOSE LINE | |
| 19 | 72486267 | 1 | PRESSURE HOSE CUT TO LENGTH L=1,285 MM | L=1,350 |
| 20 | 72438345 | 2 | HOSE CLIP | |
| 21 | 72484191 | 1 | FILTER | |
| 22 | 72311252 | 1 | PIPE CLAMP | |
| 23 | 72315642 | 1 | HEXAGONAL HEAD BOLT | DIN 933 M8 X 16-8.8A3L |
| 24 | 72624168 | 1 | HOSE LINE | |
| 25 | 72624169 | 1 | HOSE LINE | |
| 26 | 72619592 | 1 | HOLDER | |
| 27 | 72624167 | 1 | HOLDER | |
| 28 | 72315706 | 1 | HEXAGONAL HEAD BOLT | DIN 933 M12X25-8.8A3L |
| 29 | 72488959 | 22 | CLIP | SCHLAUCH POM |
| 30 | ACP0153520 | 1 | DEF FILTER | |
| 31 | ACP0338340 | 1 | DEF FILTER | |
| 32 | ACP0338341 | 1 | CLIP | |
| 33 | ACP0338342 | 2 | O-RING | |
| 34 | ACP0338330 | 1 | O-RING | 102.5 X 5.9MM |

FENDT 1046NA S4 (529/00101-05000) (WAM529XXX00F05001-99999)
13541135-M-1



13541135-M-1

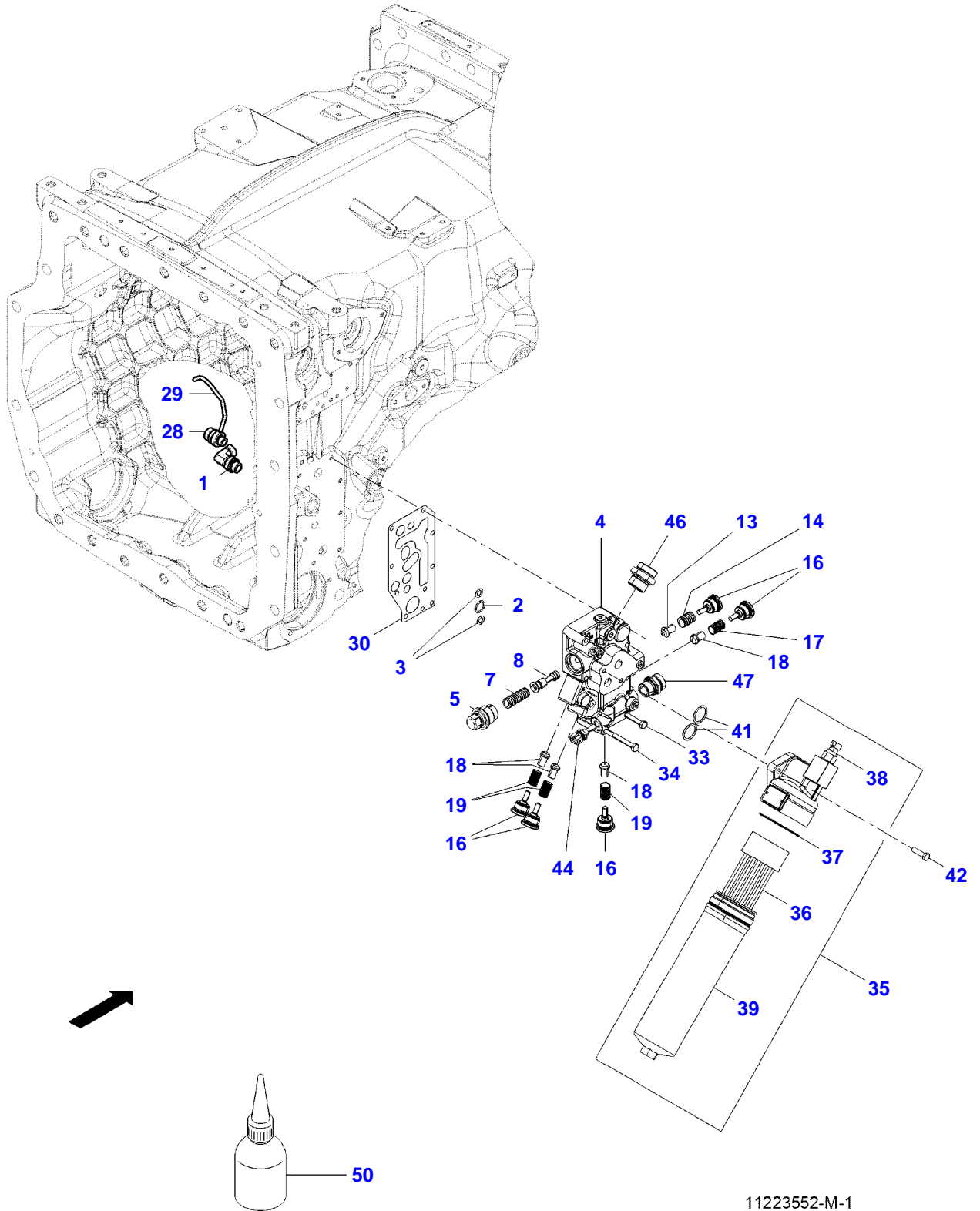
| Item | Part Number | Qty | Description Comments | Technical Specification |
|------|-------------|-----|--|----------------------------|
| | | | AXLE NR. 990/050 990/051 990/052 990/053 | |
| 1 | 72620893 | 5 | O-RING | 13,1X2,62 |
| 2 | 72620894 | 2 | O-RING | 329.79X3.53 |
| 3 | 72620895 | 2 | STUD BOLT | |
| 4 | 72620896 | 2 | NUT | |
| 7 | 72620897 | 3 | SOCKET HEAD BOLT | M8X25 |
| 8 | 72617556 | 16 | HEXAGONAL HEAD BOLT | M12X40 |
| 10 | 72620899 | 14 | HEXAGONAL HEAD BOLT | |
| 11 | 72620900 | 12 | SOCKET HEAD BOLT | |
| 13 | 72625855 | 1 | HOUSING | |
| 14 | 72428213 | 1 | SCREW | M30X1,5 |
| 15 | 72376044 | 1 | SEALING WASHER | DIN 7603 A30X38-CU |
| 16 | 72621023 | 2 | SCREW | M18X1,5 |
| 18 | 72620904 | 3 | SCREW | M8X20 |
| 19 | 72313465 | 1 | O-RING | 34X3-FPM 70 FWN56402 |
| 20 | 72625857 | 1 | OIL INFILL | |
| 26 | 72620907 | 2 | SCREW NECK | D8 M12 M14 |
| 28 | 72625856 | 1 | LUBRICATION LINE | |
| 29 | 72623924 | 1 | FILTER | FILTEREINSATZ-VORDERACHSE |
| 36 | 72315655 | 9 | HEXAGONAL HEAD BOLT | DIN 933 M8X30-8.8 |
| 37 | 72625858 | 1 | COVER | |
| 38 | 72313494 | 1 | O-RING | 75,79X3,53-NBR 70-FWN56402 |
| 39 | 72625859 | 1 | INTAKE | |
| 40 | 72623929 | 1 | CHECK VALVE | |
| 41 | 72625860 | 1 | SCREW | |
| 42 | 72625861 | 1 | SEAL | |
| 43 | 72625880 | 1 | DIPSTICK | |
| 44 | 72625908 | 1 | VALVE | |



F060817

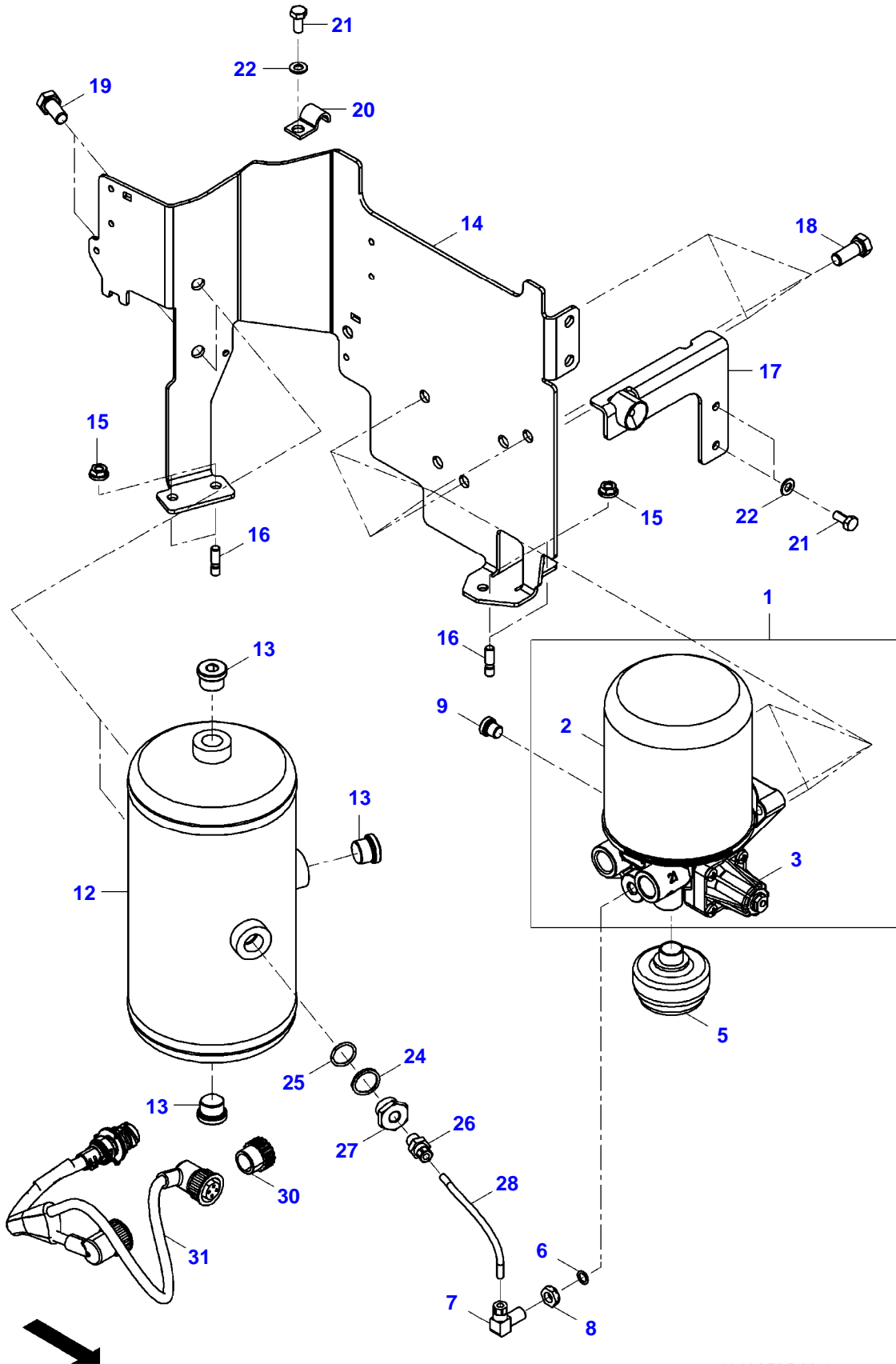


| Item | Part Number | Qty | Description Comments | Technical Specification |
|------|-------------|-----|---------------------------------------|-------------------------|
| 1 | 72620045 | 1 | SUCTION FILTER INCLUDES ITEMS 2 | |
| 2 | 72621035 | 1 | FILTER ELEMENT | GETRIEBEOEL |
| 5 | 72313503 | 1 | O-RING | 105X3-NBR 70 FWN56402 |
| 6 | 72424095 | 1 | O-RING | 108X3-NBR 70 FWN56402 |
| 10 | 72619443 | 1 | FILTER LID | |
| 11 | 72315653 | 3 | HEXAGONAL HEAD BOLT | DIN 933 M8 X 25-8.8A3L |
| 14 | 72620282 | 1 | SUCTION PIPE | |
| 15 | 72313458 | 2 | O-RING | 27X3-FPM 80 FWN56402 |
| 16 | 72311064 | 1 | LOCK WASHER | DIN 471-32X1,5 |
| 18 | 72619444 | 1 | RETAINING SHEET METAL | |
| 19 | 72315648 | 1 | HEXAGONAL HEAD BOLT | DIN 933 M8X20-8.8 |



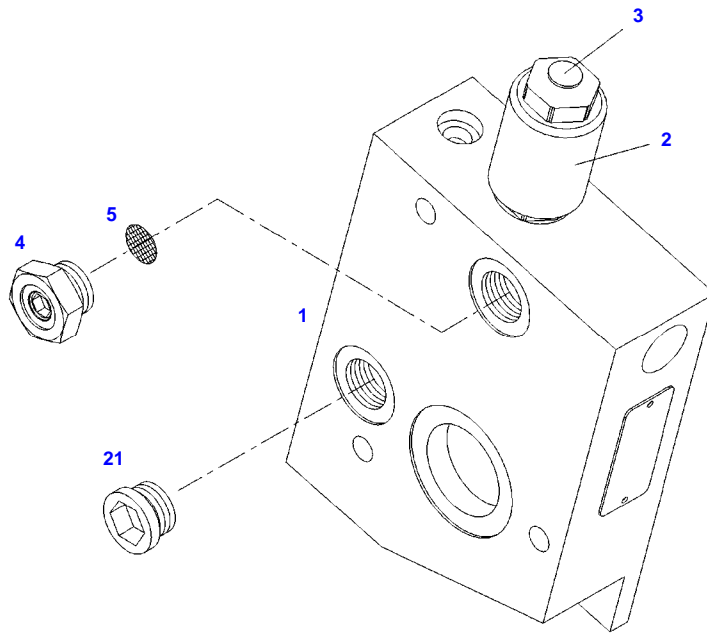
11223552-M-1

| Item | Part Number | Qty | Description Comments | Technical Specification |
|------------------------|-------------|-----|---------------------------------------|----------------------------|
| PRESSURE FILTER | | | | |
| 1 | 72439931 | 1 | ANGULAR THREADED CONNECTION | |
| 2 | 72313441 | 1 | O-RING | 18,72X2,62-NBR 70 FWN56402 |
| 3 | 72313421 | 2 | O-RING | 11X3-FPM 80 FWN56402 |
| 4 | 72623535 | 1 | VALVE BLOCK INCLUDES ITEMS 5-19 | |
| | 72453370 | 1 | SEAL KIT | |
| | 72312345 | 1 | SEAL | |
| 5 | 72623536 | 1 | SLEEVE | |
| 7 | 72316537 | 1 | COMPRESSION SPRING | |
| 8 | 72441065 | 1 | PISTON | |
| 13 | 72437531 | 1 | SEALING CONE | |
| 14 | 72437333 | 1 | COMPRESSION SPRING | |
| 16 | 72315891 | 5 | SCREW | |
| 17 | 72316522 | 1 | COMPRESSION SPRING | |
| 18 | 72311280 | 4 | SEALING CONE | |
| 19 | 72316539 | 3 | COMPRESSION SPRING | |
| 28 | 72630140 | 1 | SCREW NECK | |
| 29 | 72629287 | 1 | LUBRICATING OIL PIPE | |
| 30 | 72312345 | 1 | SEAL | |
| 33 | 72315531 | 7 | HEXAGONAL HEAD BOLT | DIN 931 M8 X 60-8.8 |
| 34 | 72315534 | 1 | HEXAGONAL HEAD BOLT | DIN 931 M8 X 70-8.8 |
| 35 | 72617845 | 1 | FILTER INCLUDES ITEMS 36-39 | |
| 36 | 72488569 | 1 | FILTER ELEMENT | |
| 37 | 72313495 | 1 | O-RING | 76X2,5-NBR 70 FWN56402 |
| 38 | | | SEE PAGE 07-0011 | |
| 39 | 72485115 | 1 | FILTER HOUSING | |
| 41 | 72313459 | 2 | O-RING | 28X3-NBR 70 FWN56402 |
| 42 | 72315655 | 2 | HEXAGONAL HEAD BOLT | DIN 933 M8X30-8.8 |
| 44 | | | SEE ELECTRICAL SYSTEM TRANSMITTER | |
| 46 | 72316329 | 1 | SCREW NECK | DIN 3901-L28B-M-ST-A3 |
| 47 | 72612237 | 1 | SCREW NECK | DIN3901-L22-M26X1,5-ED |
| 50 | 72452254 | 1 | THREADLOCKER | LOCTITE 274 10ML |



11439535-M-1

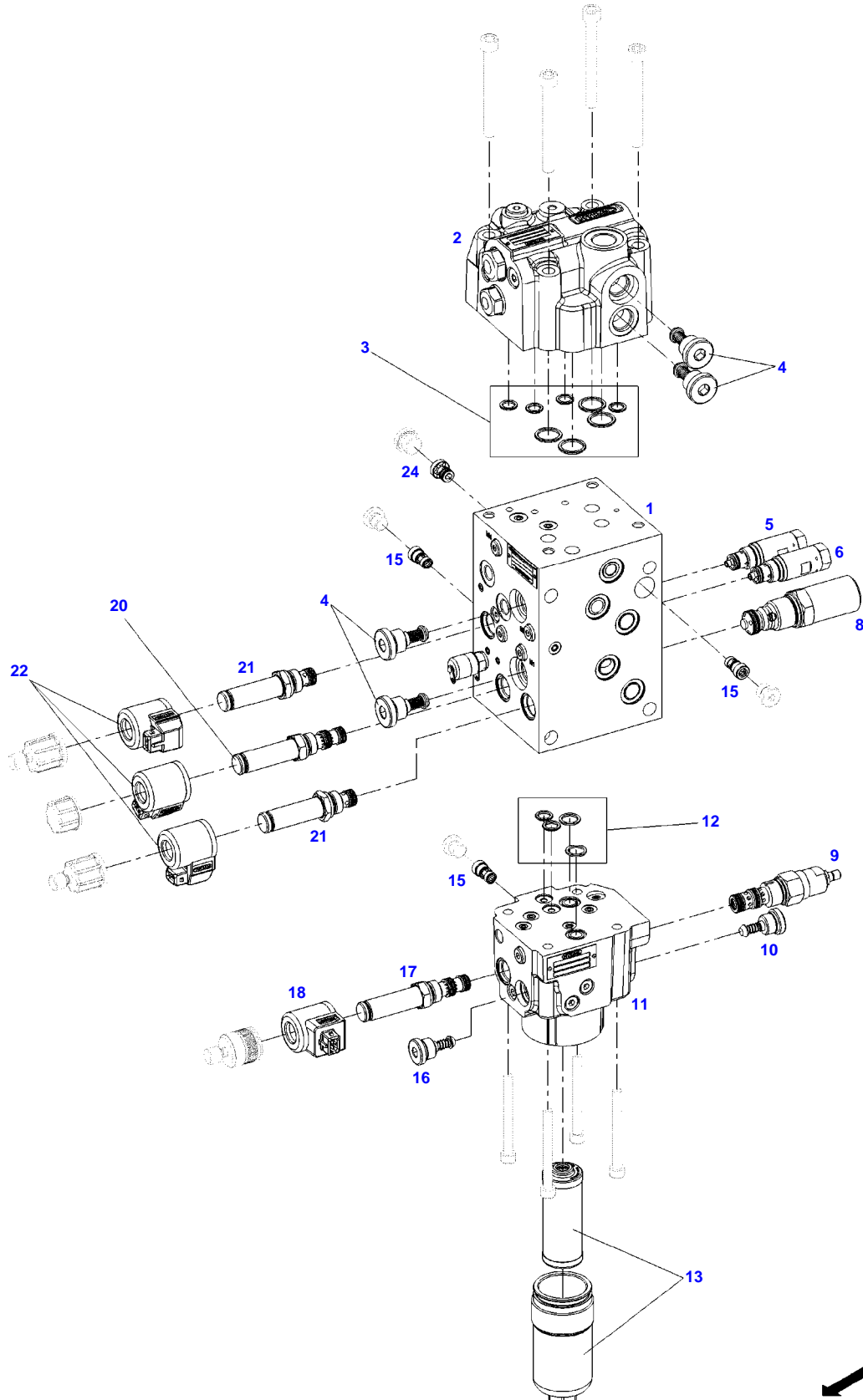
| Item | Part Number | Qty | Description Comments | Technical Specification |
|------|-------------|-----|------------------------------------|--------------------------|
| 1 | 72620231 | 1 | AIR DRIER INCLUDES ITEMS 2,3 | |
| 2 | 72437515 | 1 | CARTRIDGE JET | LUFTTROCKNER |
| 3 | 72455949 | 1 | HEATER | |
| 5 | 72455889 | 1 | NOISE DAMPER | |
| 6 | 72313416 | 1 | O-RING | 9X2-NBR 70-FWN56402 |
| 7 | 72316989 | 1 | W-E THREADED CONNECTION | STEVBD 6MM |
| 8 | 72313360 | 1 | SEALING NUT | M12X1,5 |
| 9 | 72315449 | 1 | PLUG SCREW | FWN64838-M12X1,5-ED-FPM |
| 12 | 72437464 | 1 | AIR TANK | |
| 13 | 72317613 | 3 | PLUG SCREW | VSTIM22X1,5EDFPA3C |
| 14 | 72628281 | 1 | HOLDER | |
| 15 | 72498942 | 4 | HEX NUT | DIN EN1661-M8-8 |
| 16 | 72313770 | 4 | STUD BOLT | FWN64891-M8X20-8.8 |
| 17 | 72625165 | 1 | HOLDER | |
| 18 | 72476613 | 3 | HEXAGONAL HEAD BOLT | DIN 961 M12X1,5X30-8.8 |
| 19 | 72315706 | 2 | HEXAGONAL HEAD BOLT | DIN 933 M12X25-8.8A3L |
| 20 | 72387377 | 1 | PIPE CLAMP | |
| 21 | 72315646 | 3 | HEXAGONAL HEAD BOLT | DIN 933 M8X18-8.8A3L |
| 22 | 72311788 | 3 | DISC | DIN 125-8,4-ST.A3L |
| 24 | 72311209 | 1 | THRUST RING | |
| 25 | 72313445 | 1 | O-RING | 20,3X2,4-NBR 70 FWN56402 |
| 26 | 72316988 | 1 | STRAIGHT THREADED CONNECTION | STEVBD |
| 27 | 72316997 | 1 | REDUCING SCREW CONNECTION | |
| 28 | 72451279 | 1 | PIPE 1X 150MM CUT TO LENGTH | L=2000MM DIN74324-6X1 |
| 30 | 72482655 | 1 | ELECTRICAL CONNECTOR | |
| 31 | 72611091 | 1 | KIT, CABLE | |



F060965



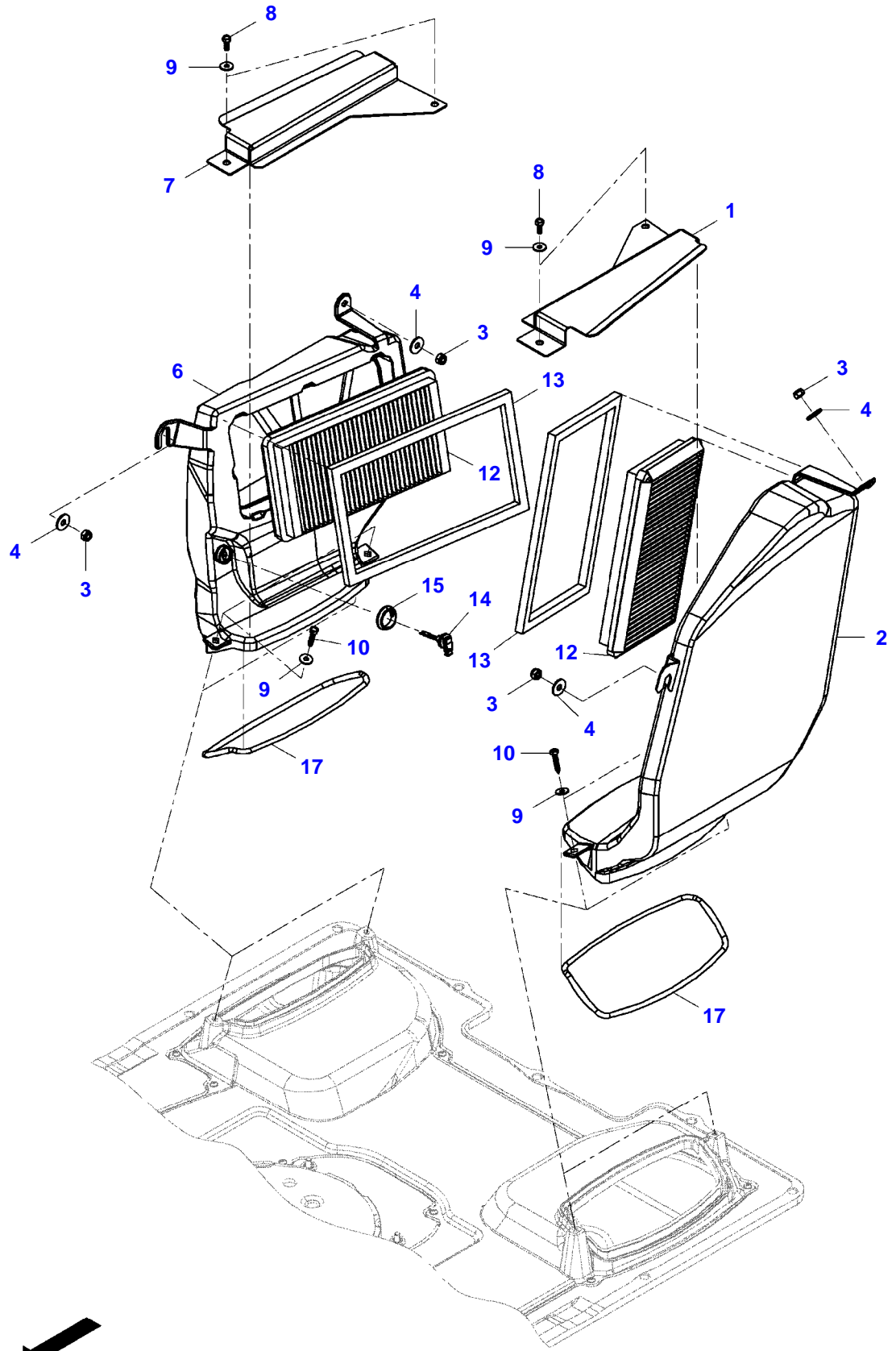
| Item | Part Number | Qty | Description Comments | Technical Specification |
|------|-------------|-----|---|-------------------------|
| | | | WITH POWER BEYOND CONNECTION | |
| 1 | 72486753 | 1 | END PLATE INCLUDES ITEMS 2-5 | |
| 2 | 72476782 | 1 | MAGNET COIL | |
| 3 | 72455766 | 1 | VALVE | |
| | 72489719 | 1 | DUST PLUG SERVICE REPAIR SOLUTION | |
| 4 | | | NOT AVAILABLE IN SINGLE PARTS | |
| 5 | 72470364 | 1 | FILTER | |
| 21 | 72315440 | 1 | PLUG SCREW NOT USED AT POWER LIFT SINGLE ACTING | DIN 908 M18 X 1,5-ST |



F061195

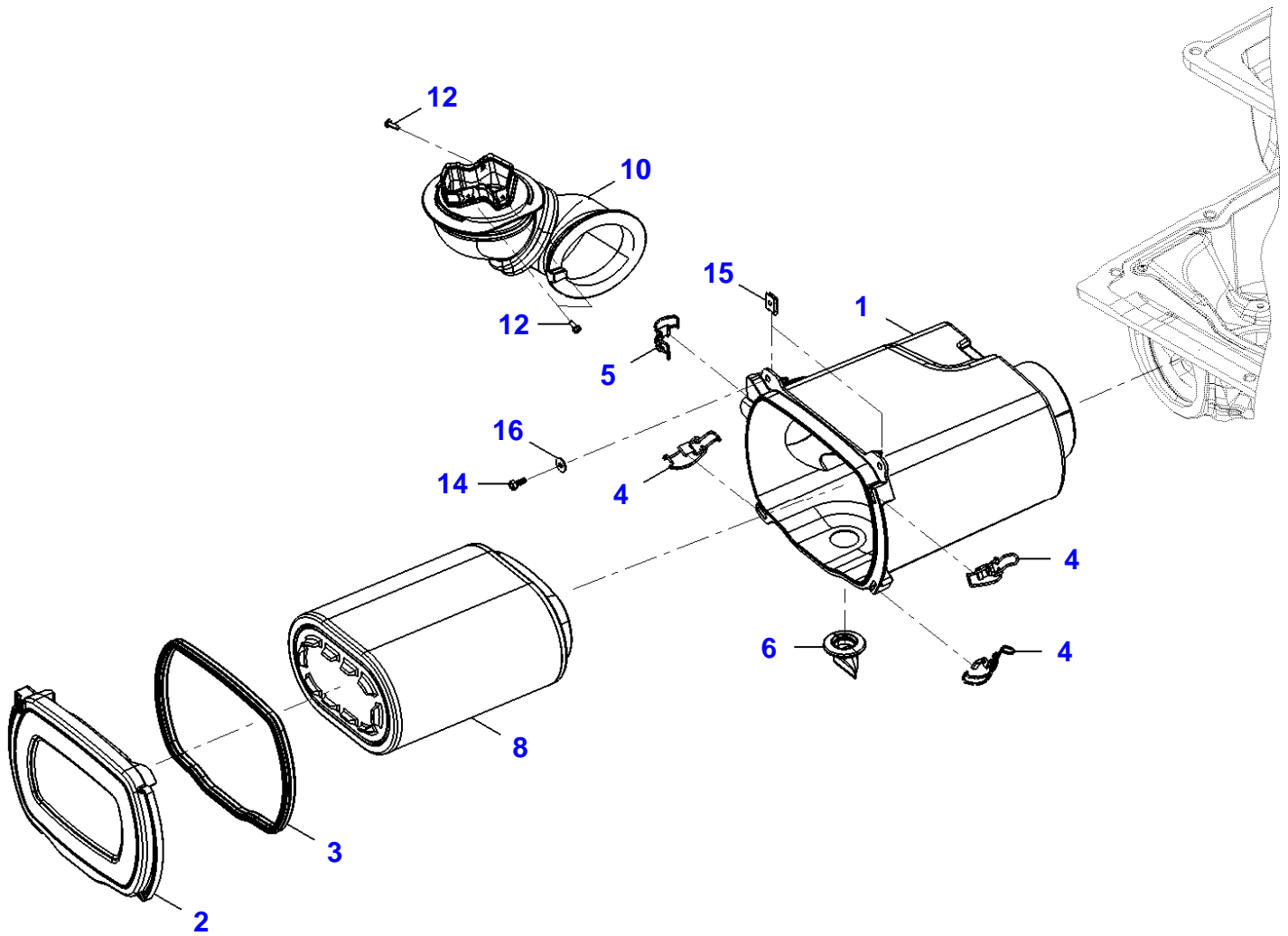


| Item | Part Number | Qty | Description Comments | Technical Specification |
|------|-------------|-----|--|-------------------------|
| | | | UP TO MACHINE S/N WAM529XXX00F05027 | |
| 1 | 72624023 | 1 | VALVE BLOCK INCLUDES ITEMS 2-24 | |
| 2 | 72626279 | 1 | PRESSURE MAINTENANCE VALVE | |
| 3 | 72626280 | 1 | SEAL KIT | |
| 4 | 72476080 | 4 | CHECK VALVE RVL1/2 | |
| 5 | 72455442 | 1 | PRESSURE RELIEF VALVE DBVL | |
| | 72317904 | 1 | SEAL KIT DBVL | |
| 6 | 72455496 | 1 | PRESSURE RELIEF VALVE DBVF | |
| | 72317904 | 1 | SEAL KIT | |
| 8 | 72317905 | 1 | PRESSURE RELIEF VALVE DBV1 | |
| | 72317906 | 1 | SEAL KIT | |
| 9 | 72486199 | 1 | PRESSURE CONTROL VALVE DRVP | |
| | 72455011 | 1 | SEAL KIT | |
| 10 | 72476081 | 1 | CHECK VALVE RVP1, NG10 | |
| 11 | 72626281 | 1 | PRE-CONTROL UNIT KIT | |
| 12 | 72626282 | 1 | SEAL KIT | |
| 13 | 72493246 | 1 | HYDRAULIC FILTER | STEUERDRUCK |
| 15 | 72317919 | 2 | CHANGE VALVE WV1/5 | |
| 16 | 72476082 | 1 | CHECK VALVE RV_DFP, NG10 | |
| 17 | 72455510 | 1 | VALVE MVP | |
| | 72438741 | 1 | SEAL KIT | |
| 18 | 72455511 | 1 | MAGNET COIL | |
| 20 | 72438731 | 1 | VALVE MVL | |
| | 72438741 | 1 | SEAL KIT | |
| 21 | 72486195 | 2 | VALVE MVFH/MVFS | |
| | 72438742 | 2 | SEAL KIT | |
| 22 | 72484293 | 3 | MAGNET COIL | |
| 24 | 72487209 | 1 | CHECK VALVE RVF1 | |

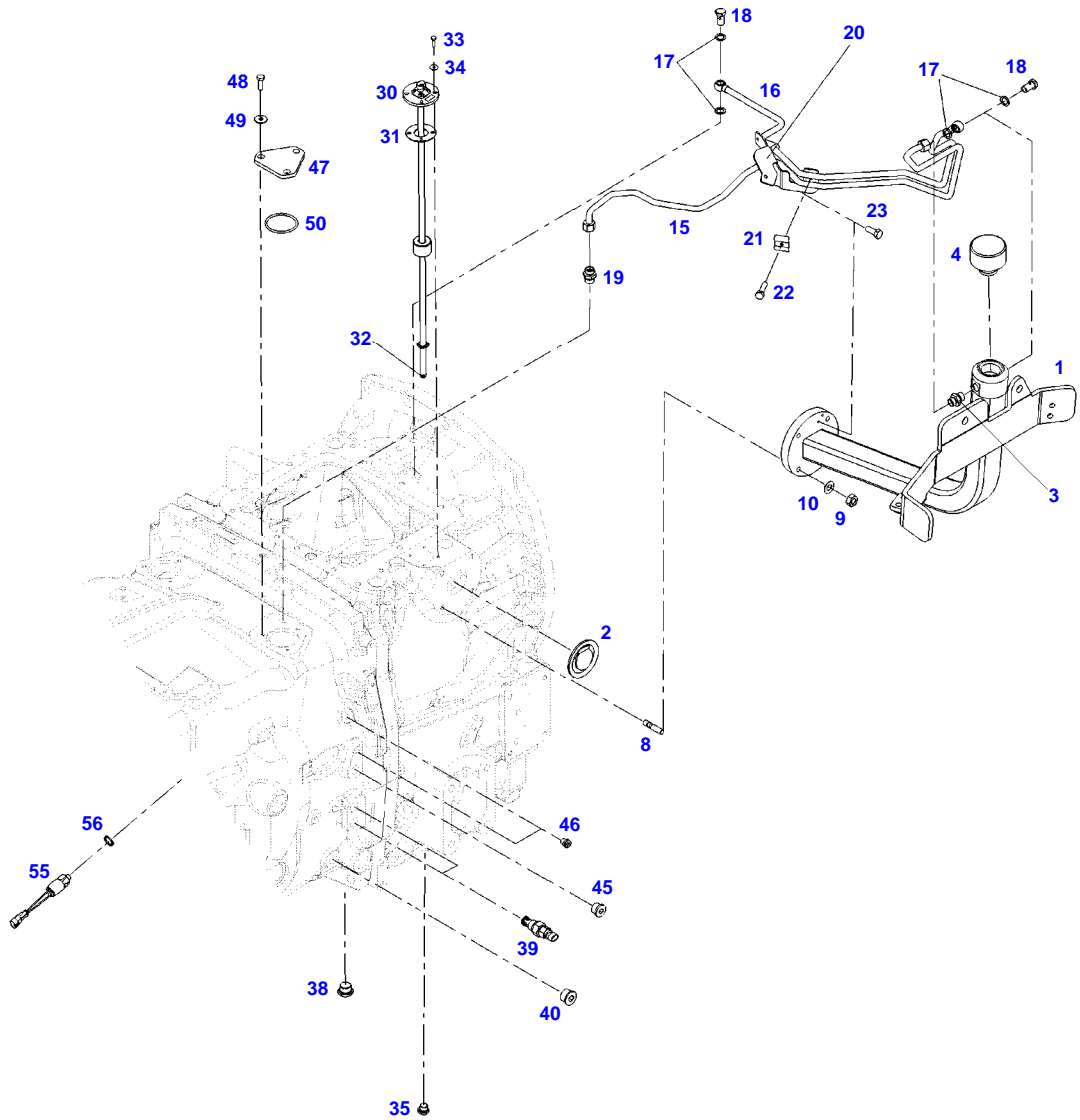


22871904-M-1

| Item | Part Number | Qty | Description Comments | Technical Specification |
|------|-------------|-----|---------------------------------|-------------------------|
| 1 | 72619770 | 1 | COVER PANEL | |
| 2 | 72619773 | 1 | AIR FUNNEL | |
| 3 | 72372950 | 4 | NUT | DIN 985 M8-8A3L |
| 4 | 72311824 | 4 | DISC | DIN9021-8,4-140HV-A3L |
| 6 | 72620538 | 1 | AIR FUNNEL | |
| 7 | 72619769 | 1 | COVER PANEL | |
| 8 | 72315815 | 4 | SCREW | DIN7976-ST6,3X16-F-A3L |
| 9 | 72311822 | 8 | DISC | DIN9021-6,4-140HV-A3L |
| 10 | 72424850 | 4 | SCREW | DIN7976-ST6,3X32-C-A3L |
| 12 | 72620539 | 2 | FILTER CAB AIR RECIRCULATION | |
| 13 | 72623408 | 2 | GASKET | |
| 14 | 72486861 | 1 | SENSOR TEMPERATURE INSIDE | |
| 15 | 72623219 | 1 | GASKET | |
| 17 | 72619759 | 2 | GASKET | |



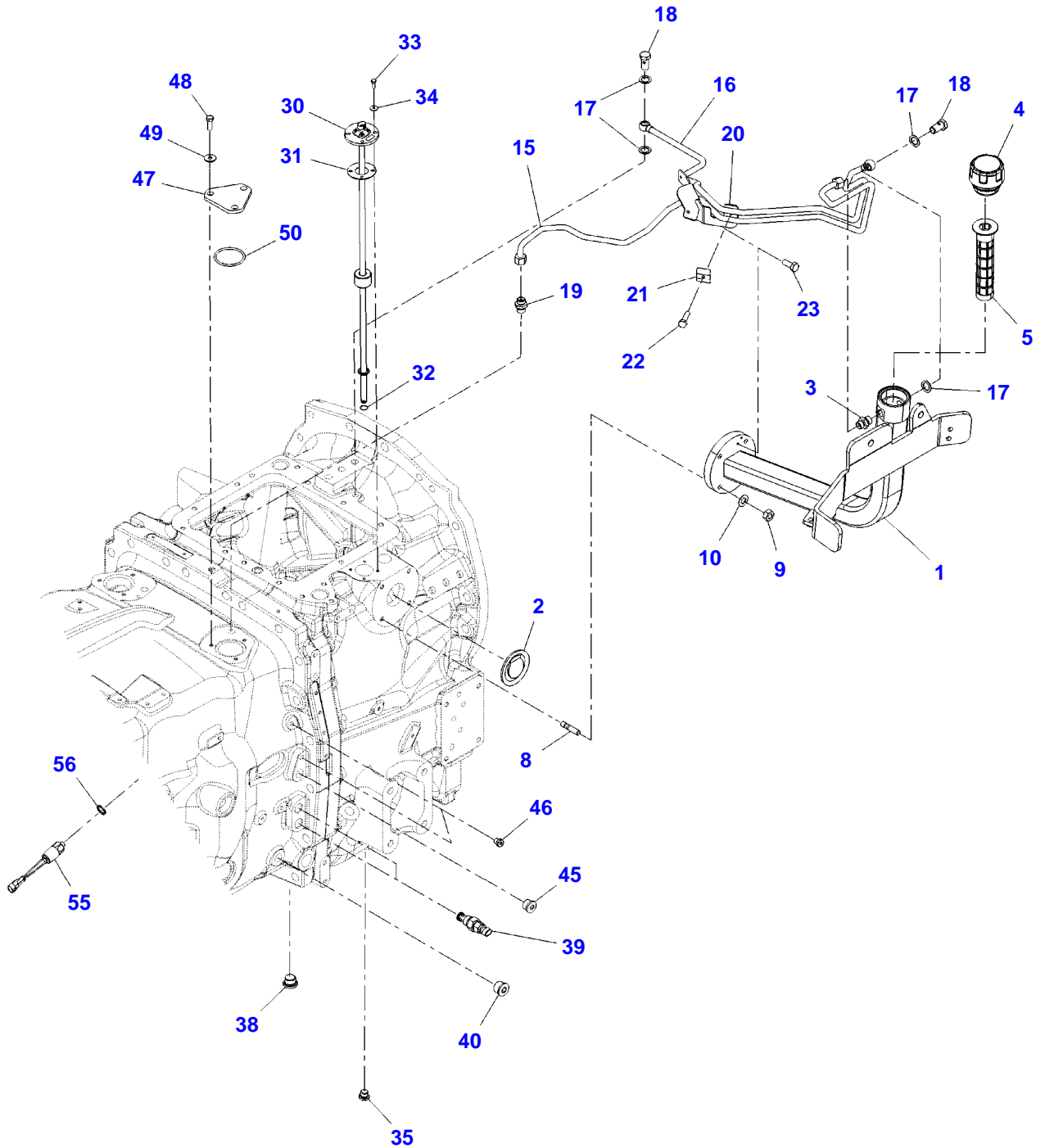
| Item | Part Number | Qty | Description Comments | Technical Specification |
|------|-------------|-----|-----------------------------|-------------------------|
| 1 | 72619775 | 1 | HOUSING | |
| 2 | 72619776 | 1 | LID | |
| 3 | 72621050 | 1 | SEALING PROFILE 1X 765MM | L=1,970M-FWN63041_8 |
| 4 | 72620163 | 3 | DRAW LATCH | |
| 5 | 72620164 | 1 | DRAW LATCH | |
| 6 | 72490381 | 1 | UNIVERSAL SPOUT | |
| 8 | 72620540 | 1 | FILTER CARTRIDGE | |
| 10 | 72620156 | 1 | RUBBER ARCH | |
| 12 | 72455397 | 3 | SCREW | F.BLECH ST4,8X16-F A3R |
| 14 | 72315815 | 2 | SCREW | DIN7976-ST6,3X16-F-A3L |
| 15 | 72313338 | 2 | SPEED NUT | 6,3 MKB1 |
| 16 | 72311822 | 2 | DISC | DIN9021-6,4-140HV-A3L |



F061390



| Item | Part Number | Qty | Description Comments | Technical Specification |
|------|-------------|-----|---|-------------------------------|
| | | | FROM - UP TO MACHINE S/N 529/1001 - 529/1067 | |
| 1 | 72629563 | 1 | FILLER | |
| | 72629564 | 1 | ORDER ADDITIONAL VENTILATION FILTER | HYDRAULIK |
| | 72629565 | 1 | SIEVE | |
| 2 | 72623729 | 1 | SEALING RUBBER | |
| 3 | 72438330 | 1 | SCREW NECK | FWN65925-L12-M18X1,5OMD-A3L 1 |
| 4 | 72364577 | 1 | VENTILATION FILTER L1.0807-31 | |
| 8 | 72313777 | 4 | STUD BOLT | DIN 939 M10X35-8.8 |
| 9 | 72313272 | 4 | NUT | DIN 934 M10-8A3L |
| 10 | 72317122 | 4 | SPRING WASHER | DIN 137 B10-MECH.VZK |
| 15 | 72624024 | 1 | VENT TUBE | |
| 16 | 72623688 | 1 | VENT TUBE | |
| 17 | 72608905 | 4 | GASKETS | 14X22X1,5 |
| 18 | 72315808 | 2 | BANJO BOLT | DIN 7643-10-3-A3L |
| 19 | 72438330 | 1 | SCREW NECK | FWN65925-L12-M18X1,5OMD-A3L 1 |
| 20 | 72623638 | 1 | HOLDER | |
| 21 | 72311266 | 1 | CLIP | |
| 22 | 72315633 | 1 | HEXAGONAL HEAD BOLT | DIN 933 M6X25-8.8A3L |
| 23 | 72315626 | 2 | HEXAGONAL HEAD BOLT | DIN 933-M6 X 16-8.8-A3L |
| 30 | 72623127 | 1 | FUEL TRANSMITTER INCLUDES ITEMS 31,32 | |
| 31 | 72476833 | 1 | FLANGE WASHER | |
| 32 | 72451977 | 1 | O-RING | D9X2,5 |
| 33 | 72315619 | 4 | HEXAGONAL HEAD BOLT | DIN 933 M5X16-8.8A3L |
| 34 | 72311819 | 4 | DISC | DIN9021-5,3-140HV-A3R |
| 35 | 72478716 | 1 | PLUG SCREW | DIN 908 M16X1,5-ED-A3L |
| 38 | 72438052 | 1 | PLUG SCREW | |
| 39 | 72618272 | 2 | FLOWMETER | |
| 40 | 72317613 | 1 | PLUG SCREW NOT USED AT REAR POWER LIFT | VSTIM22X1,5EDFPA3C |
| 45 | 72317613 | 1 | PLUG SCREW | VSTIM22X1,5EDFPA3C |
| 46 | 72315449 | 2 | PLUG SCREW NOT USED AT 2ND CIRCUIT HYDR. 1 X | FWN64838-M12X1,5-ED-FPM |
| 47 | 72629560 | 1 | PLATE NOT USED AT 2ND CIRCUIT HYDR. | |
| 48 | 72315653 | 3 | HEXAGONAL HEAD BOLT NOT USED AT 2ND CIRCUIT HYDR. | DIN 933 M8 X 25-8.8A3L |
| 49 | 72311824 | 3 | DISC NOT USED AT 2ND CIRCUIT HYDR. | DIN9021-8,4-140HV-A3L |
| 50 | 72437222 | 1 | O-RING NOT USED AT 2ND CIRCUIT HYDR. | 60X4-NBR 70 FWN56402 |
| 55 | 72453413 | 1 | PRESSURE SWITCH | |
| 56 | 72315090 | 1 | SEALING WASHER | DIN 7603 A12X15,5-CU |





Suggest:

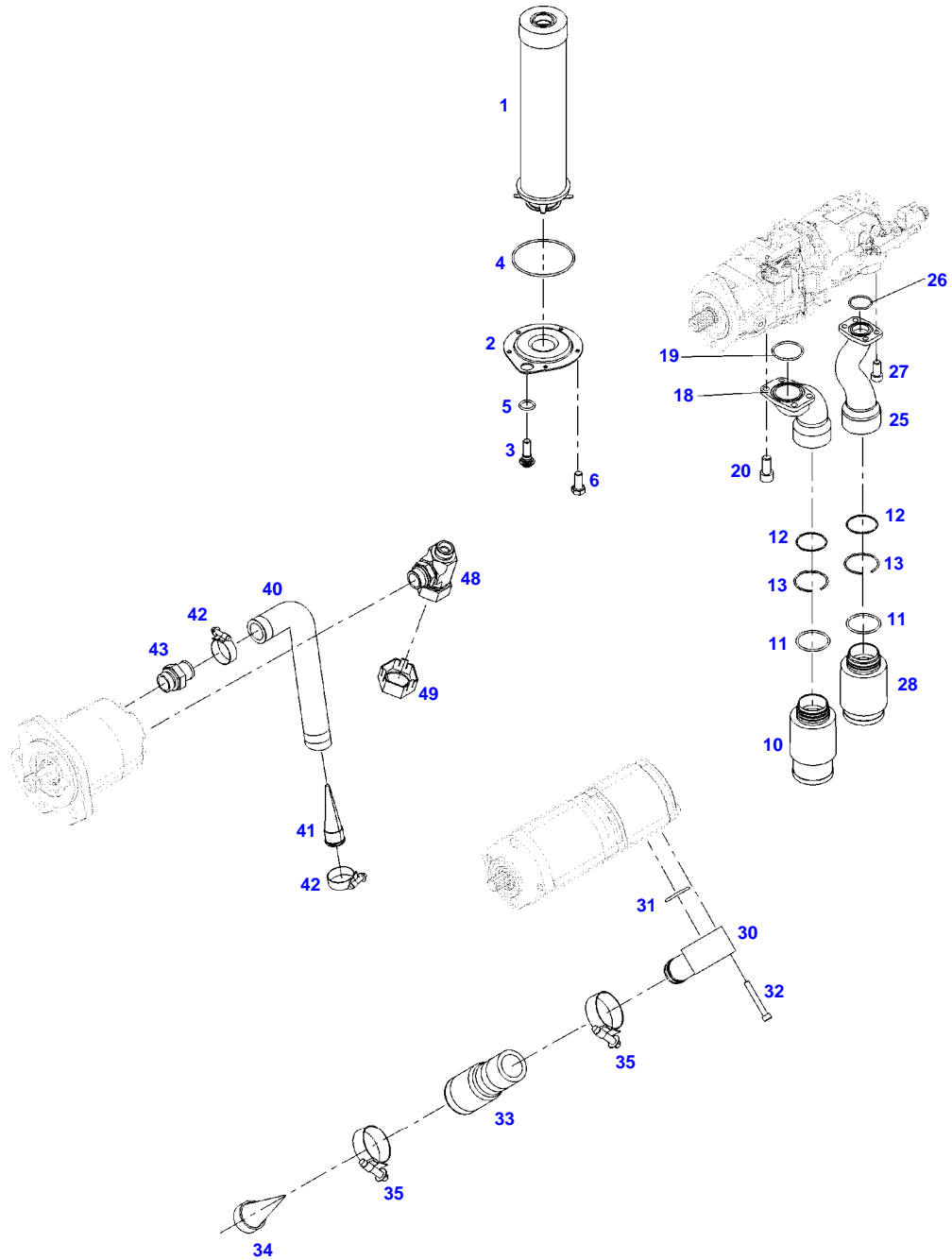
For more complete manuals. Please go to the home page.

<https://www.ebooklibonline.com>

If the above button click is invalid. Please download this document first, and then click the above link to download the complete manual.

Thank you so much for reading

| Item | Part Number | Qty | Description Comments | Technical Specification |
|------|-------------|-----|---|-------------------------------|
| | | | FROM MACHINE S/N WAM529XXX00F05001 | |
| 1 | 72629563 | 1 | FILLER | |
| 2 | 72623729 | 1 | SEALING RUBBER | |
| 3 | 72438330 | 1 | SCREW NECK | FWN65925-L12-M18X1,5OMD-A3L 1 |
| 4 | 72629564 | 1 | VENTILATION FILTER | HYDRAULIK |
| | 72657543 | 1 | O-RING | Ø 58,74X3,53 |
| 5 | 72629565 | 1 | SIEVE | |
| 8 | 72313777 | 4 | STUD BOLT | DIN 939 M10X35-8.8 |
| 9 | 72313272 | 4 | NUT | DIN 934 M10-8A3L |
| 10 | 72317122 | 4 | SPRING WASHER | DIN 137 B10-MECH.VZK |
| 15 | 72624024 | 1 | VENT TUBE | |
| 16 | 72623688 | 1 | VENT TUBE | |
| 17 | 72608905 | 4 | GASKETS | 14X22X1,5 |
| 18 | 72315808 | 2 | BANJO BOLT | DIN 7643-10-3-A3L |
| 19 | 72438330 | 1 | SCREW NECK | FWN65925-L12-M18X1,5OMD-A3L 1 |
| 20 | 72623638 | 1 | HOLDER | |
| 21 | 72311266 | 1 | CLIP | |
| 22 | 72315633 | 1 | HEXAGONAL HEAD BOLT | DIN 933 M6X25-8.8A3L |
| 23 | 72315626 | 2 | HEXAGONAL HEAD BOLT | DIN 933-M6 X 16-8.8-A3L |
| 30 | 72623127 | 1 | FUEL TRANSMITTER INCLUDES ITEMS 31,32 | |
| 31 | 72476833 | 1 | FLANGE WASHER | |
| 32 | 72451977 | 1 | O-RING | D9X2,5 |
| 33 | 72315619 | 4 | HEXAGONAL HEAD BOLT | DIN 933 M5X16-8.8A3L |
| 34 | 72311819 | 4 | DISC | DIN9021-5,3-140HV-A3R |
| 35 | 72478716 | 1 | PLUG SCREW | DIN 908 M16X1,5-ED-A3L |
| 38 | 72438052 | 1 | PLUG SCREW | |
| 39 | 72618272 | 2 | FLOWMETER | |
| 40 | 72317613 | 1 | PLUG SCREW NOT USED AT REAR POWER LIFT | VSTIM22X1,5EDFPMA3C |
| 45 | 72317613 | 1 | PLUG SCREW | VSTIM22X1,5EDFPMA3C |
| 46 | 72315449 | 2 | PLUG SCREW NOT USED AT 2ND CIRCUIT HYDR. 1 X | FWN64838-M12X1,5-ED-FPM |
| 47 | 72629560 | 1 | PLATE NOT USED AT 2ND CIRCUIT HYDR. | |
| 48 | 72315653 | 3 | HEXAGONAL HEAD BOLT NOT USED AT 2ND CIRCUIT HYDR. | DIN 933 M8 X 25-8.8A3L |
| 49 | 72311824 | 3 | DISC NOT USED AT 2ND CIRCUIT HYDR. | DIN9021-8,4-140HV-A3L |
| 50 | 72437222 | 1 | O-RING NOT USED AT 2ND CIRCUIT HYDR. | 60X4-NBR 70 FWN56402 |
| 55 | 72453413 | 1 | PRESSURE SWITCH | |
| 56 | 72315090 | 1 | SEALING WASHER | DIN 7603 A12X15,5-CU |



F061011



| Item | Part Number | Qty | Description Comments | Technical Specification |
|---------------|-------------|-----|--------------------------------------|----------------------------|
| FILTER | | | | |
| 1 | 72620607 | 1 | RETURN FILTER INCLUDES ITEMS 4 | |
| 2 | 72475637 | 1 | COVER INCLUDES ITEMS 4 | |
| 3 | 72436853 | 1 | SCREW INCLUDES ITEMS 5 | |
| 4 | 72474606 | 1 | O-RING 117X4MM | Ø 117X4 MM |
| 5 | 72493820 | 1 | O-RING | |
| 6 | 72315650 | 5 | HEXAGONAL HEAD BOLT | DIN 933 M8 X 20-8.8A3L |
| 10 | 72451933 | 1 | SUCTION FILTER | |
| 11 | 72437222 | 2 | O-RING | 60X4-NBR 70 FWN56402 |
| 12 | 72313484 | 2 | O-RING | 57X2,5-NBR 70 FWN56402 |
| 13 | 72375821 | 2 | LOCKWASHER | DIN 7993-B65 |
| 18 | 72623727 | 1 | SUCTION FLANGE | |
| 19 | 72453085 | 1 | O-RING | 56,74X3,53-NBR 90 FWN56402 |
| 20 | 72374067 | 4 | SOCKET HEAD BOLT | DIN 912-M12X25-8.8 |
| 25 | 72623728 | 1 | SUCTION FLANGE | |
| 26 | 72313473 | 1 | O-RING | 40,2X3-NBR 70 FWN56402 |
| 27 | 72315492 | 4 | SOCKET HEAD BOLT | DIN 912 M10X25-8.8 |
| 28 | 72438395 | 1 | SUCTION FILTER | |
| 30 | 72491052 | 1 | SUCTION FLANGE | |
| 31 | 72313451 | 1 | O-RING | 24X2,5-NBR 70 FWN56402 |
| 32 | 72374011 | 3 | SOCKET HEAD BOLT | DIN 912 M6X45-8.8 |
| 33 | 72623178 | 1 | SUCTION HOSE | |
| 34 | 72441403 | 1 | PREFILTER | |
| 35 | 72311162 | 2 | HOSE CLIP | |
| 40 | 72619874 | 1 | SUCTION HOSE | |
| 41 | 72356070 | 1 | PREFILTER | |
| 42 | 72311168 | 2 | HOSE CLIP | |
| 43 | 72437834 | 1 | SUCTION NOZZLE | |
| 48 | 72652995 | 1 | T-FITTING | |
| 49 | 72451824 | 1 | SUCTION FILTER | |

<https://www.ebooklibonline.com>

Hello dear friend!

Thank you very much for reading.

Enter the link into your browser.

The full manual is available for immediate download.

<https://www.ebooklibonline.com>