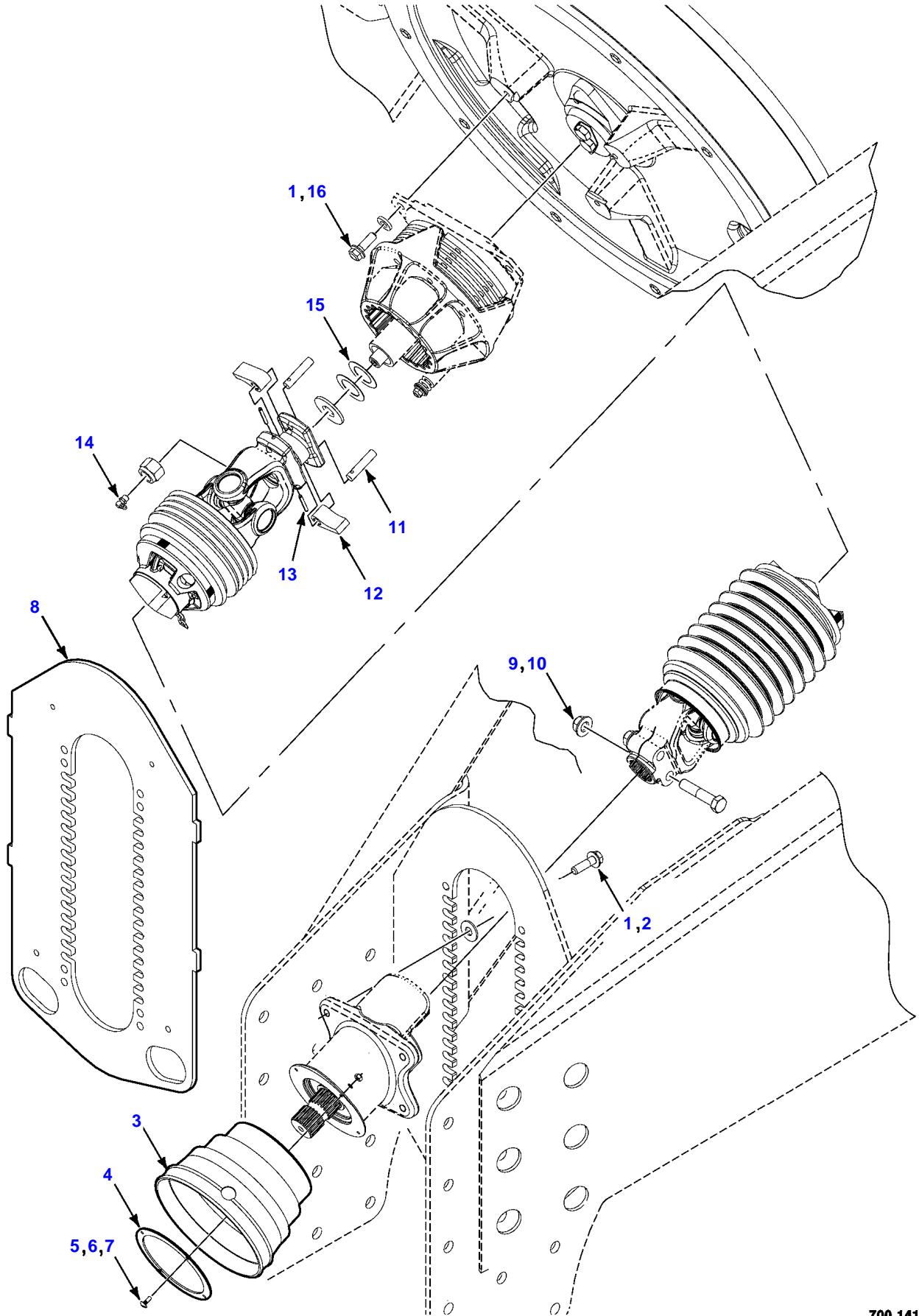


Page Number	Page Title	Page Reference
01-000-TOC	DRIVE SYSTEM	01-000-TOC
02-000-TOC	HYDRAULIC SYSTEM	02-000-TOC
03-000-TOC	ELECTRICAL SYSTEM	03-000-TOC
04-000-TOC	BALE FEEDING SYSTEM	04-000-TOC
05-000-TOC	BALE FORMING SYSTEM	05-000-TOC
06-000-TOC	BALE EJECTING SYSTEM	06-000-TOC
07-000-TOC	CHASSIS	07-000-TOC
08-000-TOC	DECALS	08-000-TOC
09-000-TOC	AXLES, SPINDLES, AND WHEELS	09-000-TOC
10-000-TOC	BRAKE SYSTEM	10-000-TOC
11-000-TOC	ACCESSORIES	11-000-TOC

DRIVE SYSTEM

Page Number	Page Title	Page Reference
01-001	MAIN DRIVE	T12F15O10C0002
01-002	CLUTCH - FLYWHEEL	T12F15O10C0003
01-003	DRIVE SHAFT	T12F15O10C0004
01-004	SECONDARY DRIVE SHAFT	T12F15O10C0005
01-005	PRIMARY DRIVE SHAFT - CE 1-3/8 INCH X 21 SPLINE S/N HT73101 - AHB03100	T12F15O10C0006
01-006	PRIMARY DRIVE SHAFT - CE 1-3/4 INCH X 20 SPLINE S/N HT73101 - AHB03100	T12F15O10C0007
01-007	PRIMARY DRIVE SHAFT - CE 1-3/8 INCH X 21 SPLINE S/N AHB03101 AND LATER	T12F15O10C0008
01-008	PRIMARY DRIVE SHAFT - CE 1-3/4 INCH X 20 SPLINE S/N AHB03101 AND LATER	T12F15O10C0009
01-009	BRAKE - FLYWHEEL	T12F15O10C0010
01-010	MOUNTING - FLYWHEEL	T12F15O10C0011
01-011	MOUNTING - GEARBOX	T12F15O10C0012
01-012	GEARBOX ASSEMBLY S/N HT73101 - BHB03148	T12F15O10C0013
01-013	GEARBOX ASSEMBLY S/N BHB03149 AND LATER	T12F15O10C0014
01-014	AUXILIARY DRIVE - LEFT HAND S/N HT73101 - HT73333	T12F15O10C0015
01-015	AUXILIARY DRIVE - LEFT HAND S/N HT73334 - BHB03100	T12F15O10C0016
01-016	AUXILIARY DRIVE - LEFT HAND S/N BHB03101 AND LATER	T12F15O10C0017
01-017	AUXILIARY DRIVE - RIGHT HAND	T12F15O10C0018
01-018	SHAFT AND SPROCKET - AUXILIARY	T12F15O10C0019
01-019	SLIP CLUTCH - AUXILIARY	T12F15O10C0020
01-020	DRIVE - CUTTER	T12F15O10C0021
01-021	GEARBOX ASSEMBLY - CUTTER	T12F15O10C0022
01-022	SLIP CLUTCH - CUTTER S/N HT73101 - HU73377	T12F15O10C0023
01-023	SLIP CLUTCH - CUTTER S/N HU73378 AND LATER	T12F15O10C0024

990N / 990S LARGE RECTANGULAR BALERS MAIN DRIVE



<https://www.ebooklibonline.com>

Hello dear friend!

Thank you very much for reading.

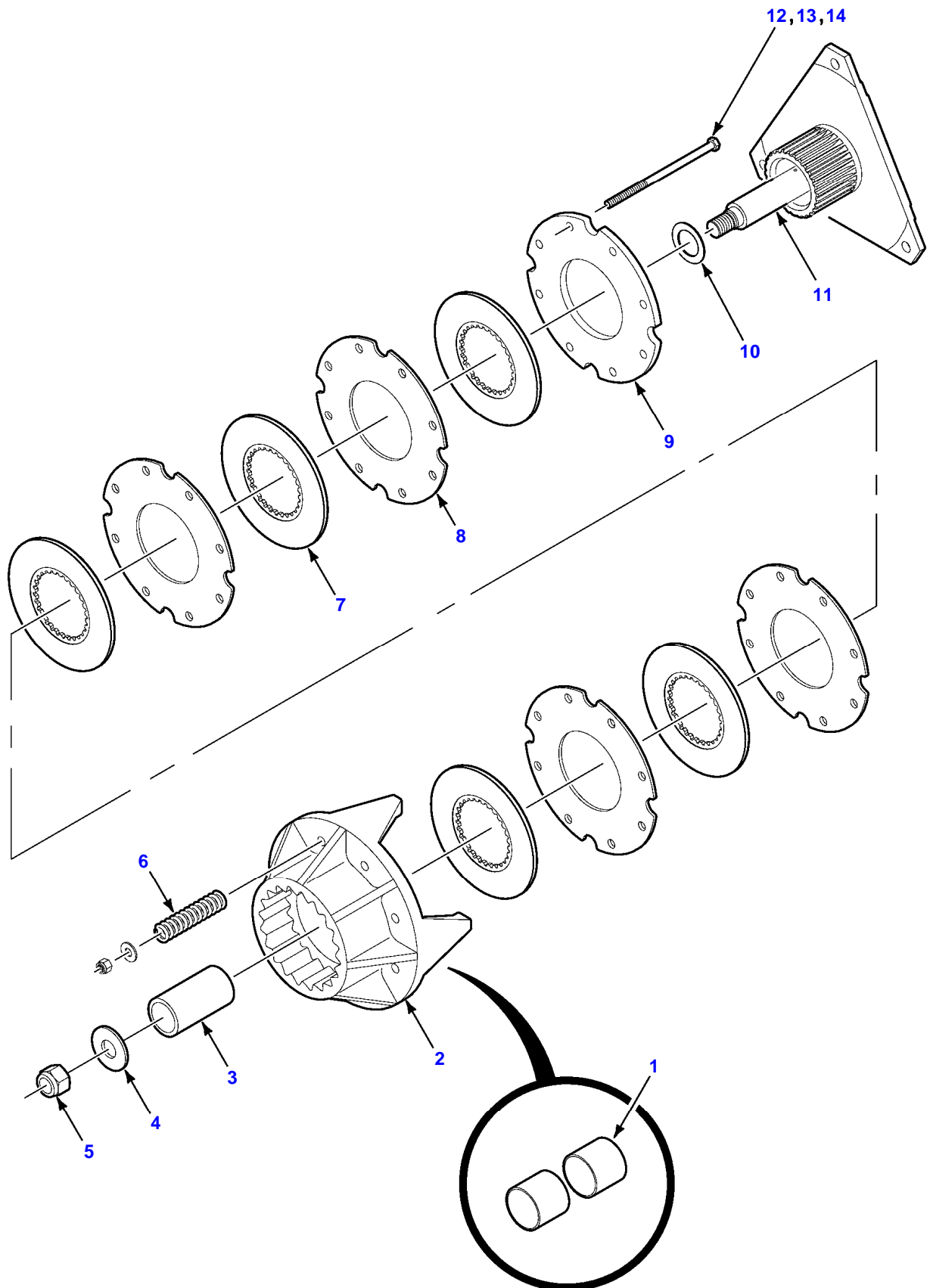
Enter the link into your browser.

The full manual is available for immediate download.

<https://www.ebooklibonline.com>

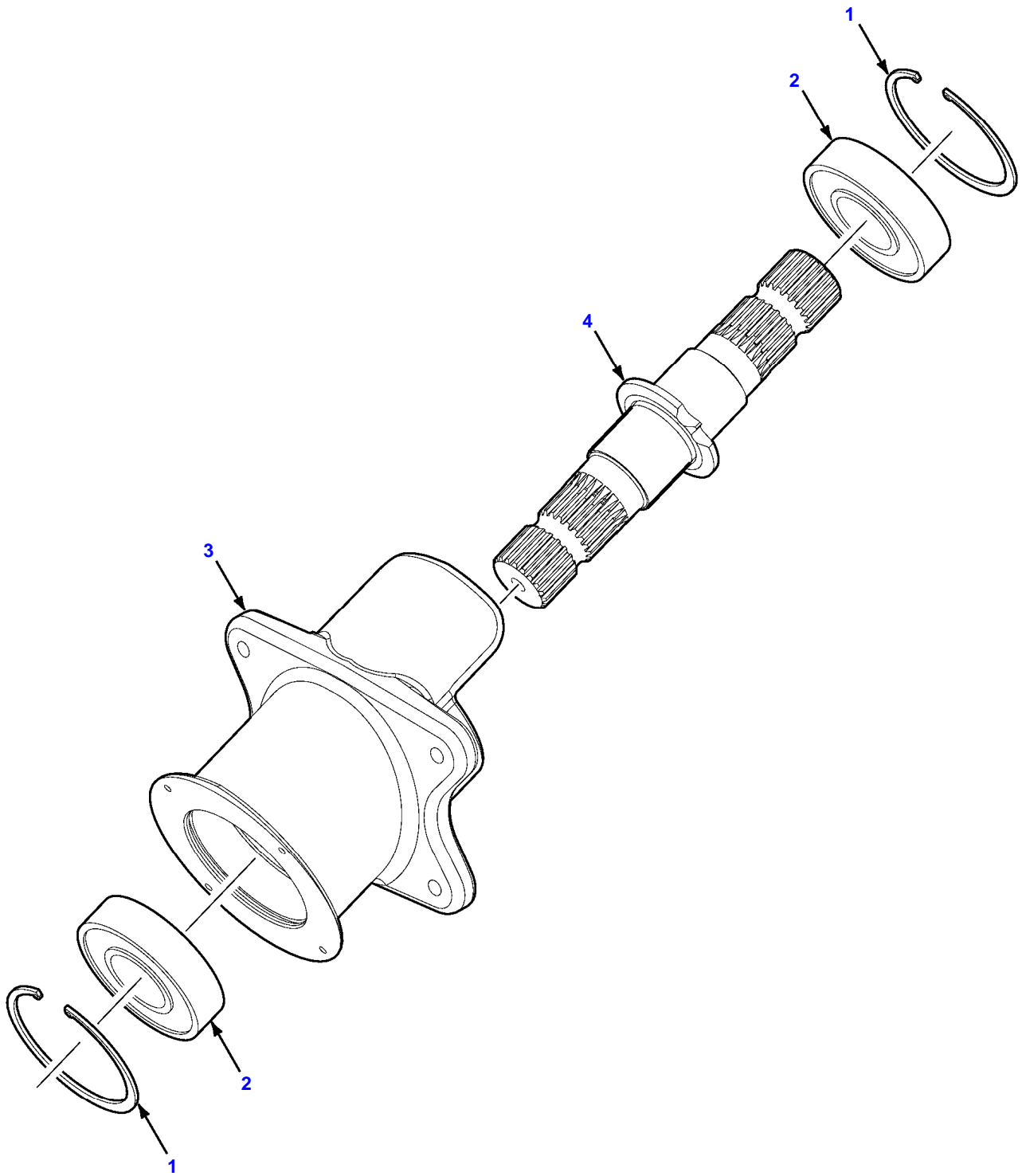
Item	Part Number	Qty	Description Comments	Technical Specification
1	8701237	7	HEXAGON FLANGE HEAD BOLT	1/2-13 X 1-1/2 GR8
2	700711557	4	FLAT WASHER	1/2
3	700729081	1	CONE GUARD	
4	700143340	1	MOUNTING FLANGE	
5	700737790	4	BOLT	RIBBED NECK #12-24X.75
6	7705692	4	FLAT WASHER	#12
7	700705521	4	SPECIAL LOCKNUT	#12-24
8	700141617	1	MOUNTING PLATE S/N HT73101 - CHB03100	
9	700708270	2	HEXAGON HEAD BOLT	5/8"-11 X 3
10	700711198	2	FLANGE LOCKNUT	5/8/-11
11	700113037	2	PAWL PIN	
12	700113036	2	CLUTCH PAWL	
13	Z63396	2	ROLL PIN	3/16" X 1-1/2
14	77115	1	GREASE FITTING	
15	6522932	2	CLUTCH SHIM	
16	705541	3	FLAT WASHER	1/2

990N / 990S LARGE RECTANGULAR BALERS
CLUTCH - FLYWHEEL



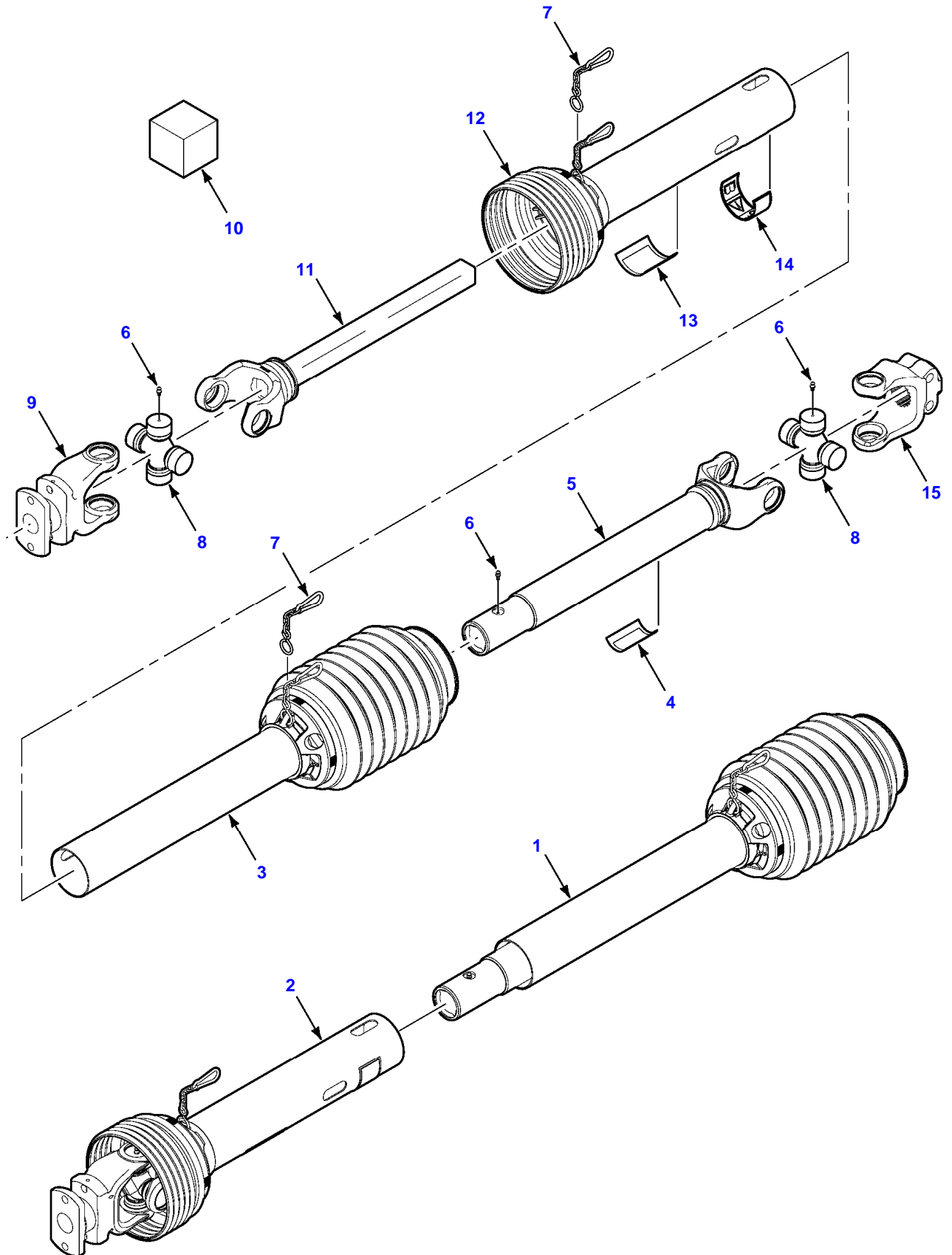
Item	Part Number	Qty	Description Comments	Technical Specification
1	7852114	2	BRONZE BUSHING	
2	700164637	1	CLUTCH HOUSING	
	7852114	2	BRONZE BUSHING	
3	6350805	1	TUBE	3-3/4 X 2" OD
4	76521	1	FLAT WASHER	NON-PLATED, 7/8
5	700707250	1	STOP NUT	7/8-14
6	858019	8	COMPRESSION SPRING	
7	700108820	5	FRICITION DISC	
8	700112903	4	CLUTCH PLATE	
9	6522866	1	CLUTCH PLATE	
10	Z52274	1	WASHER	
11	700141153	1	CLUTCH PILOT	
12	700732562	8	HEX BOLT	3/8-16 X 7-1/2
13	700709603	8	FLAT WASHER	3/8 INCH
14	704734	8	FLANGE LOCKNUT	3/8-16

990N / 990S LARGE RECTANGULAR BALERS
DRIVE SHAFT



Item	Part Number	Qty	Description Comments	Technical Specification
1	8052326	2	RETAINING RING	
2	700721594	2	CYLINDRICAL BEARING	1.7715" ID
3	700734696	1	SUPPORT	
4	700174791	1	DRIVE SHAFT	

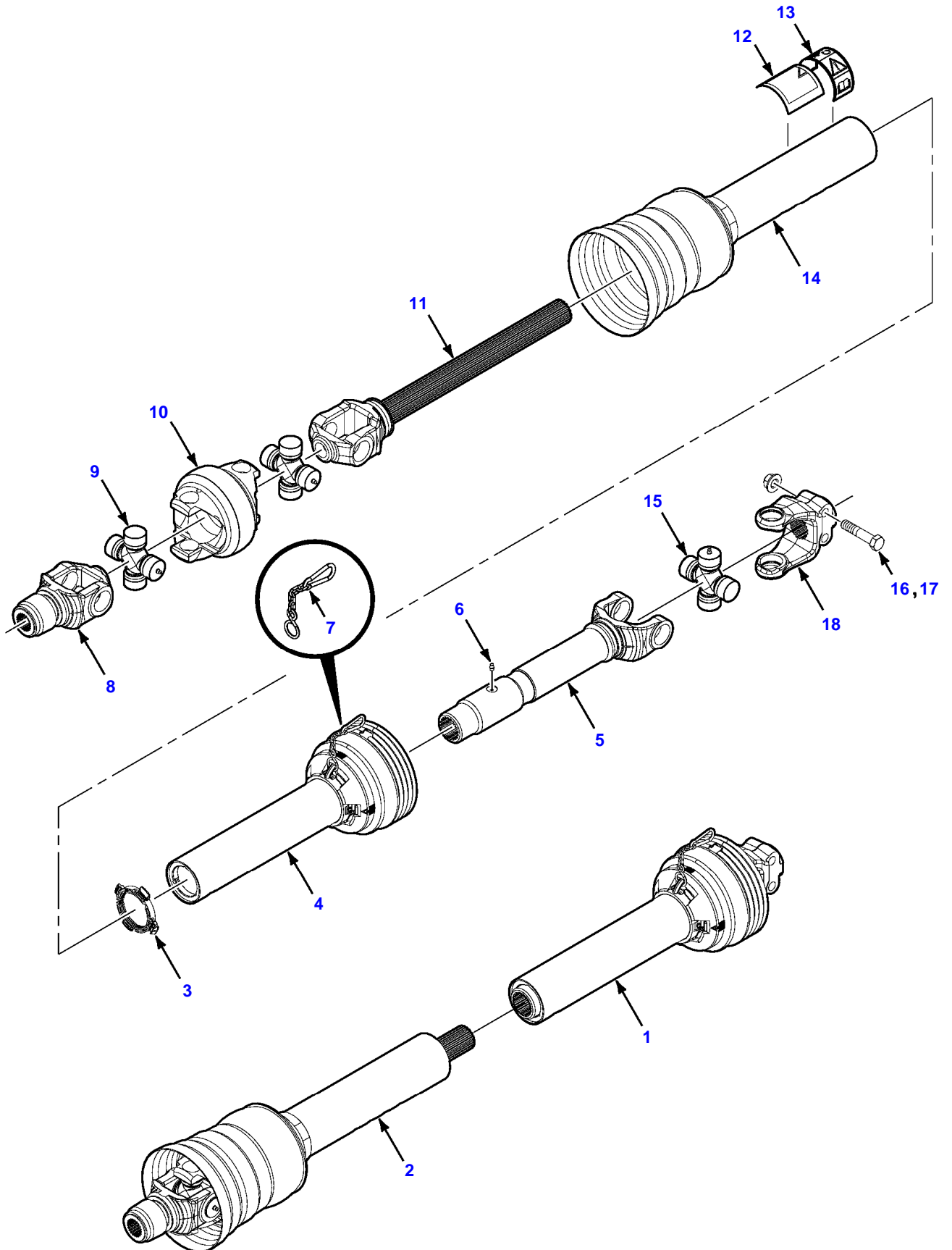
990N / 990S LARGE RECTANGULAR BALERS
SECONDARY DRIVE SHAFT



Item	Part Number	Qty	Description Comments	Technical Specification
1	700724125	1	DRIVELINE	
2	700724123	1	DRIVELINE	
3	700724141	1	INNER GUARD	
4	700708583	1	DANGER DECAL, SHIELD MISSING	DANGER
5	700724142	1	YOKE TUBE [A]	
6	77016	3	GREASE FITTING	1/4-28 IN
7	700720152	2	CHAIN KIT	
8	700724136	2	CROSS AND BEARING KIT	
	Z77016	1	GREASE FITTING	1/4-28
9	700706955	1	YOKE	
	7711799	1	CYLINDRICAL BEARING	
	700706956	1	BEARING	
	7052798	1	RETAINING RING	
	77107	1	GREASE FITTING	
10	700723268	1	NYLON BUSHING	
11	700724137	1	YOKE SHAFT	
12	700724140	1	OUTER GUARD [A]	
13	700707960	1	DECAL	
14	700728658	1	WARNING DECAL, CE	
15	700721794	1	YOKE	

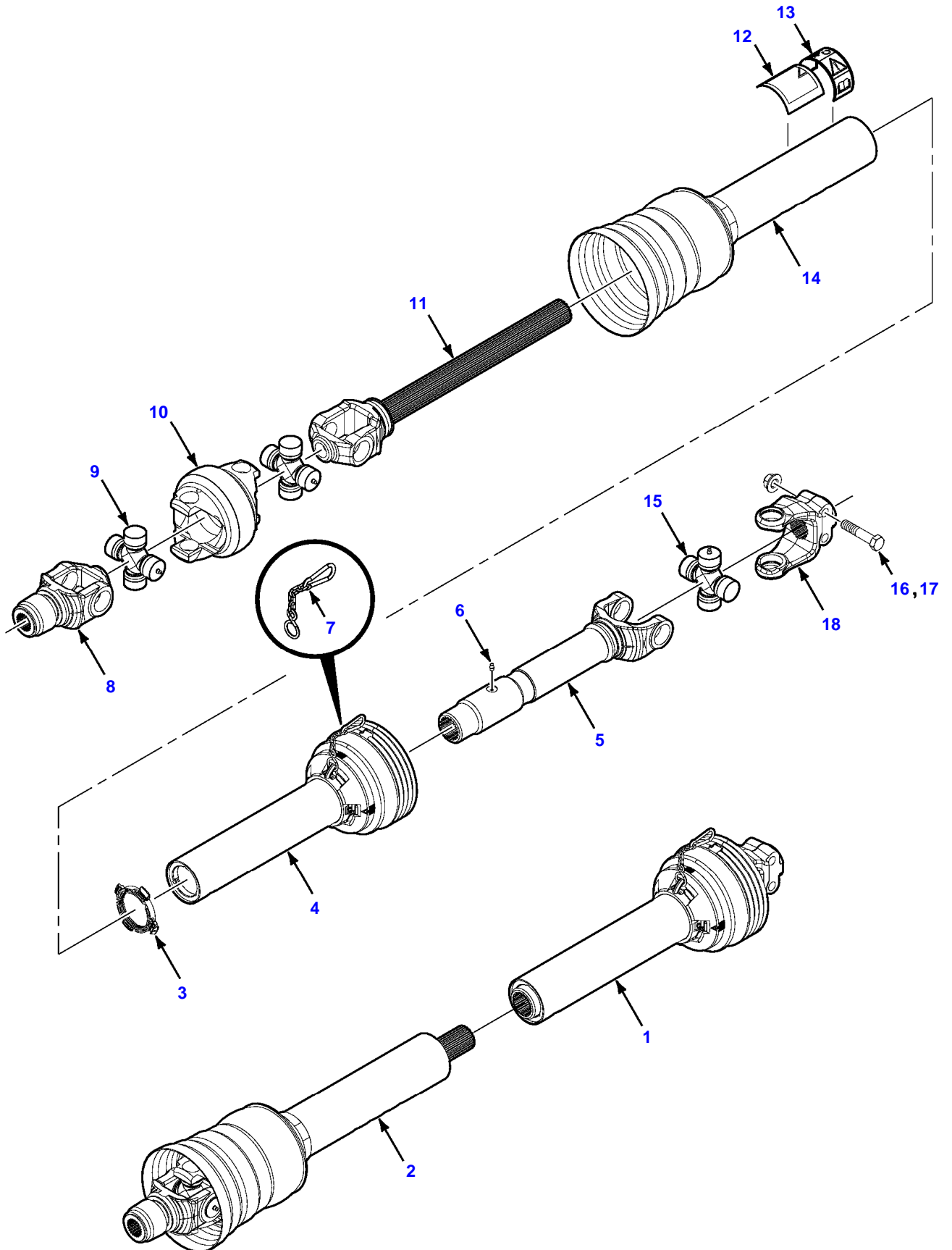
[A] THE APPROPRIATE SAFETY DECALS MUST BE ORDERED AND FITTED TO THIS PART

990N / 990S LARGE RECTANGULAR BALERS
PRIMARY DRIVE SHAFT - CE



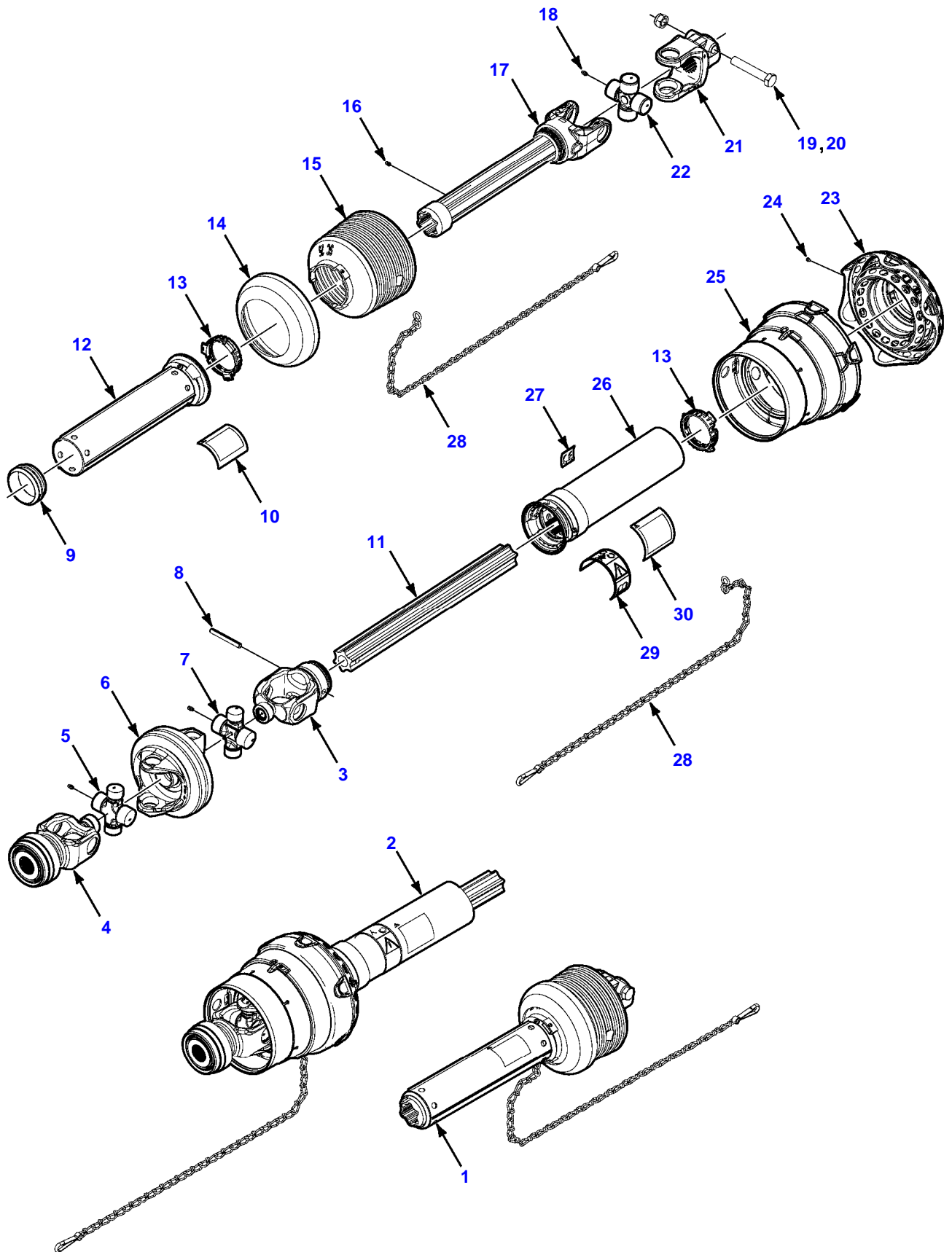
Item	Part Number	Qty	Description Comments	Technical Specification
			1-3/8 INCH X 21 SPLINE S/N HT73101 - AHB03100	
1	700728942	1	DRIVELINE	
2	700728940	1	DRIVELINE	
3	700723268	2	NYLON BUSHING	
4	700728950	1	INNER GUARD	
5	700728951	1	YOKE	
			[A]	
6	77016	1	GREASE FITTING	1/4-28 IN
7	700729055	2	CHAIN KIT	
8	700728943	1	YOKE	
	700720122	1	AUTO LOCK REPAIR KIT	
9	700728945	2	CROSS AND BEARING KIT	
	77016	1	GREASE FITTING	1/4-28 IN
10	700728946	1	HOUSING	
11	700728947	1	YOKE SHAFT	
12	700707960	1	DECAL	
13	700728658	1	WARNING DECAL, CE	
14	700728948	1	OUTER GUARD	
			[A]	
15	700724136	1	CROSS AND BEARING KIT	
	Z77016	1	GREASE FITTING	1/4-28
16	700708270	2	HEXAGON HEAD BOLT	5/8"-11 X 3
17	700711198	2	FLANGE LOCKNUT	5/8"-11
18	700721794	1	YOKE	
			[A] THE APPROPRIATE SAFETY DECALS MUST BE ORDERED AND FITTED TO THIS PART	

990N / 990S LARGE RECTANGULAR BALERS
PRIMARY DRIVE SHAFT - CE



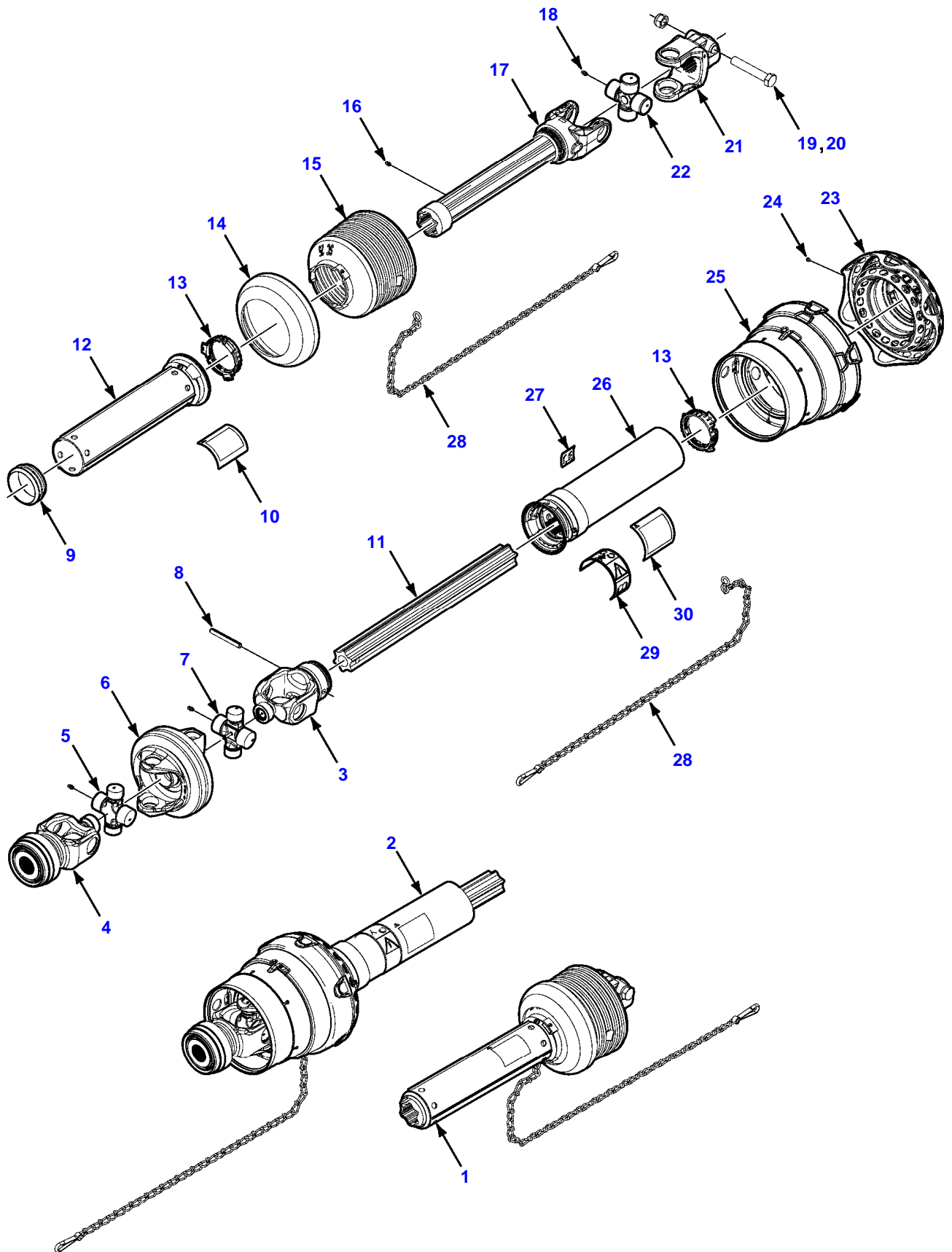
Item	Part Number	Qty	Description Comments	Technical Specification
			1-3/4 INCH X 20 SPLINE S/N HT73101 - AHB03100	
1	700728942	1	DRIVELINE	
2	700728941	1	DRIVELINE	
3	700723268	2	NYLON BUSHING	
4	700728950	1	INNER GUARD	
5	700728951	1	YOKE	
			[A]	
6	77016	1	GREASE FITTING	1/4-28 IN
7	700729055	2	CHAIN KIT	
8	700728944	1	YOKE	TYPE 3
	700711425	1	REPAIR KIT	20 SPLINE 1000RPM
9	700728945	2	CROSS AND BEARING KIT	
	77016	1	GREASE FITTING	1/4-28 IN
10	700728946	1	HOUSING	
11	700728947	1	YOKE SHAFT	
12	700707960	1	DECAL	
13	700728658	1	WARNING DECAL, CE	
14	700728948	1	OUTER GUARD	
			[A]	
15	700724136	1	CROSS AND BEARING KIT	
	Z77016	1	GREASE FITTING	1/4-28
16	700708270	2	HEXAGON HEAD BOLT	5/8"-11 X 3
17	700711198	2	FLANGE LOCKNUT	5/8"-11
18	700721794	1	YOKE	
			[A] THE APPROPRIATE SAFETY DECALS MUST BE ORDERED AND FITTED TO THIS PART	

990N / 990S LARGE RECTANGULAR BALERS
PRIMARY DRIVE SHAFT - CE



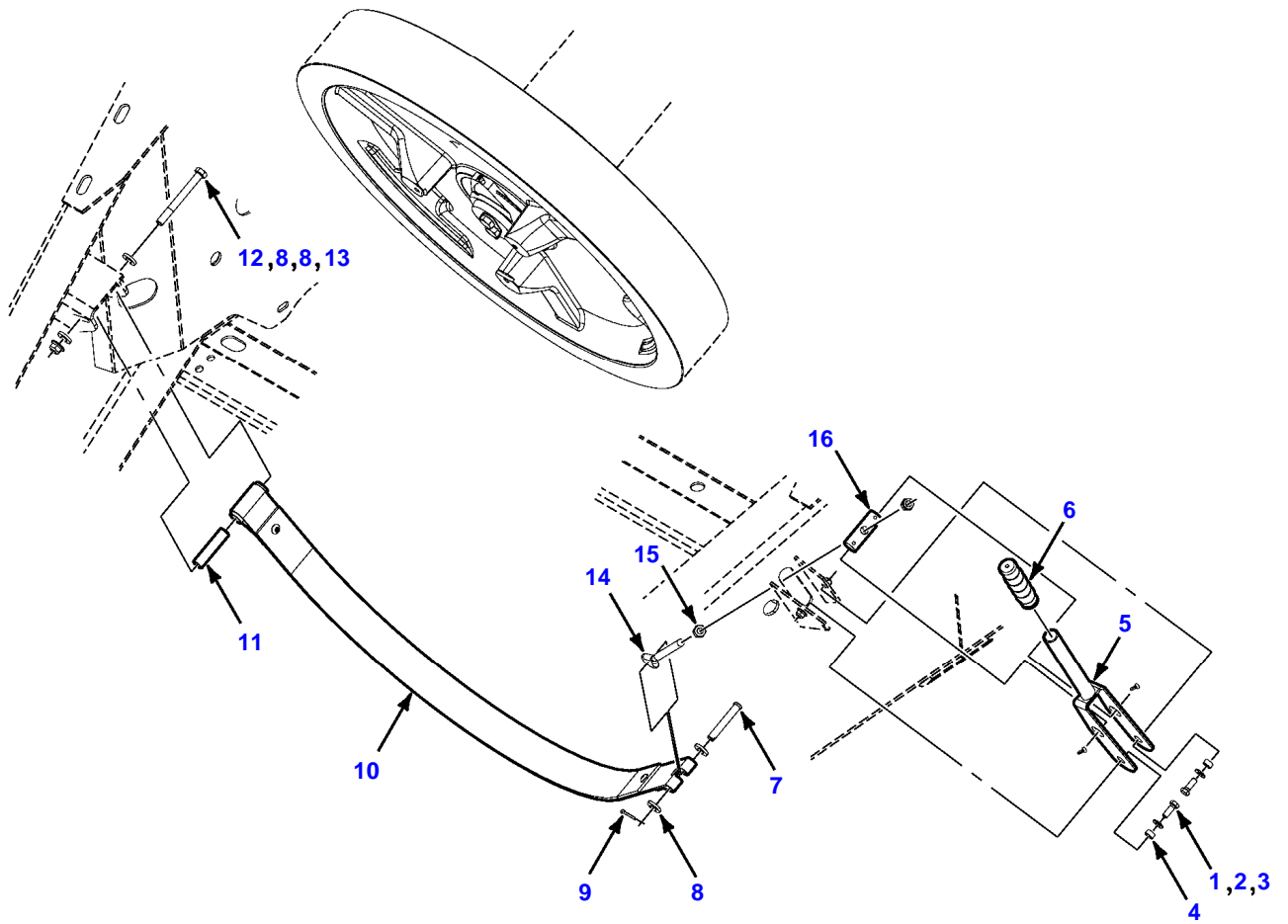
Item	Part Number	Qty	Description Comments	Technical Specification
			1-3/8 INCH X 21 SPLINE S/N AHB03101 AND LATER	
1	700737113	1	UNIVERSAL JOINT	
2	700735106	1	DRIVELINE	
3	700735112	1	YOKE	
4	700735109	1	YOKE	1-3/8 21 SPLINE
	700735126	1	REPAIR KIT	LOCK
5	700735113	1	CROSS AND BEARING KIT	CROSS AND BEARING
6	700735110	1	DOUBLE YOKE	
7	700735111	1	CROSS AND BEARING KIT	CROSS AND BEARING
8	763847	1	SPRING PIN	10 X 75 MM
9	700735123	1	BEARING BRACKET	
10	700708583	1	DANGER DECAL, SHIELD MISSING	DANGER
11	700735114	1	INNER PROFILE SHAFT	
12	700737117	1	TUBE [A]	
13	8800633	2	BEARING RING	SC25
14	700735124	1	REINFORCING COLLAR	
15	700735122	1	CONE GUARD	
16	700713262	1	GREASE FITTING	1/4-28
17	700737115	1	YOKE	IB (S5G)
18	700735125	3	GREASE FITTING	M6 X 1 IN
19	339182X1	1	HEX CAP SCREW	M16-2.0 X 90-ISO 8.8-ZN
20	1442739X1	1	LOCKNUT	M16-ISO 8-ZN
21	700737116	1	YOKE	
22	700735116	1	CROSS AND BEARING KIT	CROSS AND BEARING
23	700735121	1	GUARD CONE AND FLEX NET	
24	700714614	10	HEXAGON FLANGE HEAD BOLT	
25	700735120	1	CV GUARD/BEARING	
26	700735117	1	GUARD TUBE AND CAP [A]	
27	700735129	1	DECAL, CE MARK	
28	71382485	2	SAFETY CHAIN	
29	700728658	1	WARNING DECAL, CE	
30	700707960	1	DECAL	
			[A] THE APPROPRIATE SAFETY DECALS MUST BE ORDERED AND FITTED TO THIS PART	

990N / 990S LARGE RECTANGULAR BALERS
PRIMARY DRIVE SHAFT - CE



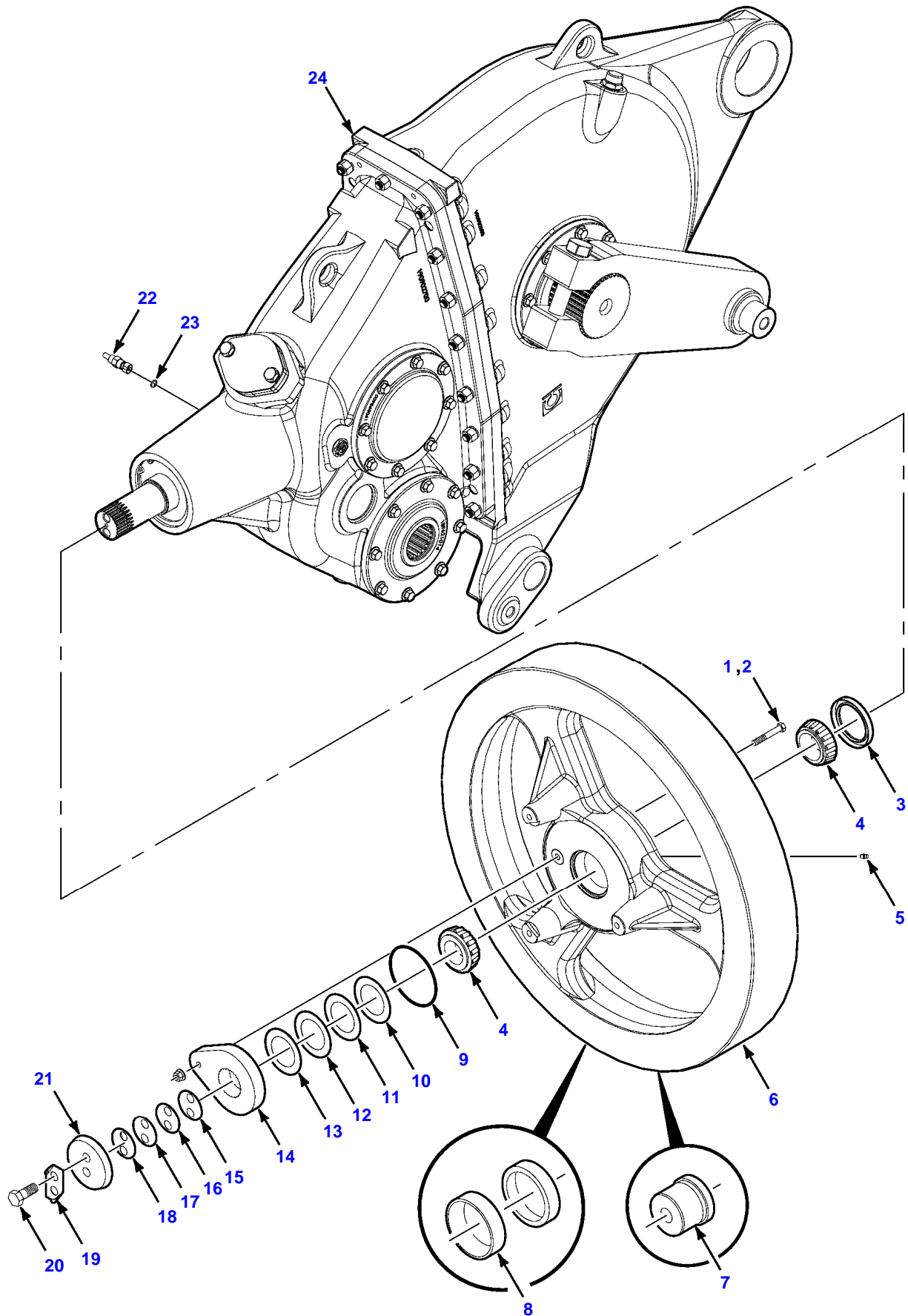
Item	Part Number	Qty	Description Comments	Technical Specification
			1-3/4 INCH X 20 SPLINE S/N AHB03101 AND LATER	
1	700737113	1	UNIVERSAL JOINT	
2	700735108	1	DRIVELINE	
3	700735112	1	YOKE	
4	700735127	1	YOKE	1-3/4 20 SPLINE
	700735128	1	REPAIR KIT	LOCK
5	700735113	1	CROSS AND BEARING KIT	CROSS AND BEARING
6	700735110	1	DOUBLE YOKE	
7	700735111	1	CROSS AND BEARING KIT	CROSS AND BEARING
8	763847	1	SPRING PIN	10 X 75 MM
9	700735123	1	BEARING BRACKET	
10	700708583	1	DANGER DECAL, SHIELD MISSING	DANGER
11	700735114	1	INNER PROFILE SHAFT	
12	700737117	1	TUBE [A]	
13	8800633	2	BEARING RING	SC25
14	700735124	1	REINFORCING COLLAR	
15	700735122	1	CONE GUARD	
16	700713262	1	GREASE FITTING	1/4-28
17	700737115	1	YOKE	IB (S5G)
18	700735125	3	GREASE FITTING	M6 X 1 IN
19	339182X1	1	HEX CAP SCREW	M16-2.0 X 90-ISO 8.8-ZN
20	1442739X1	1	LOCKNUT	M16-ISO 8-ZN
21	700737116	1	YOKE	
22	700735116	1	CROSS AND BEARING KIT	CROSS AND BEARING
23	700735121	1	GUARD CONE AND FLEX NET	
24	700714614	10	HEXAGON FLANGE HEAD BOLT	
25	700735120	1	CV GUARD/BEARING	
26	700735117	1	GUARD TUBE AND CAP [A]	
27	700735129	1	DECAL, CE MARK	
28	71382485	2	SAFETY CHAIN	
29	700728658	1	WARNING DECAL, CE	
30	700707960	1	DECAL	
			[A] THE APPROPRIATE SAFETY DECALS MUST BE ORDERED AND FITTED TO THIS PART	

990N / 990S LARGE RECTANGULAR BALERS
BRAKE - FLYWHEEL



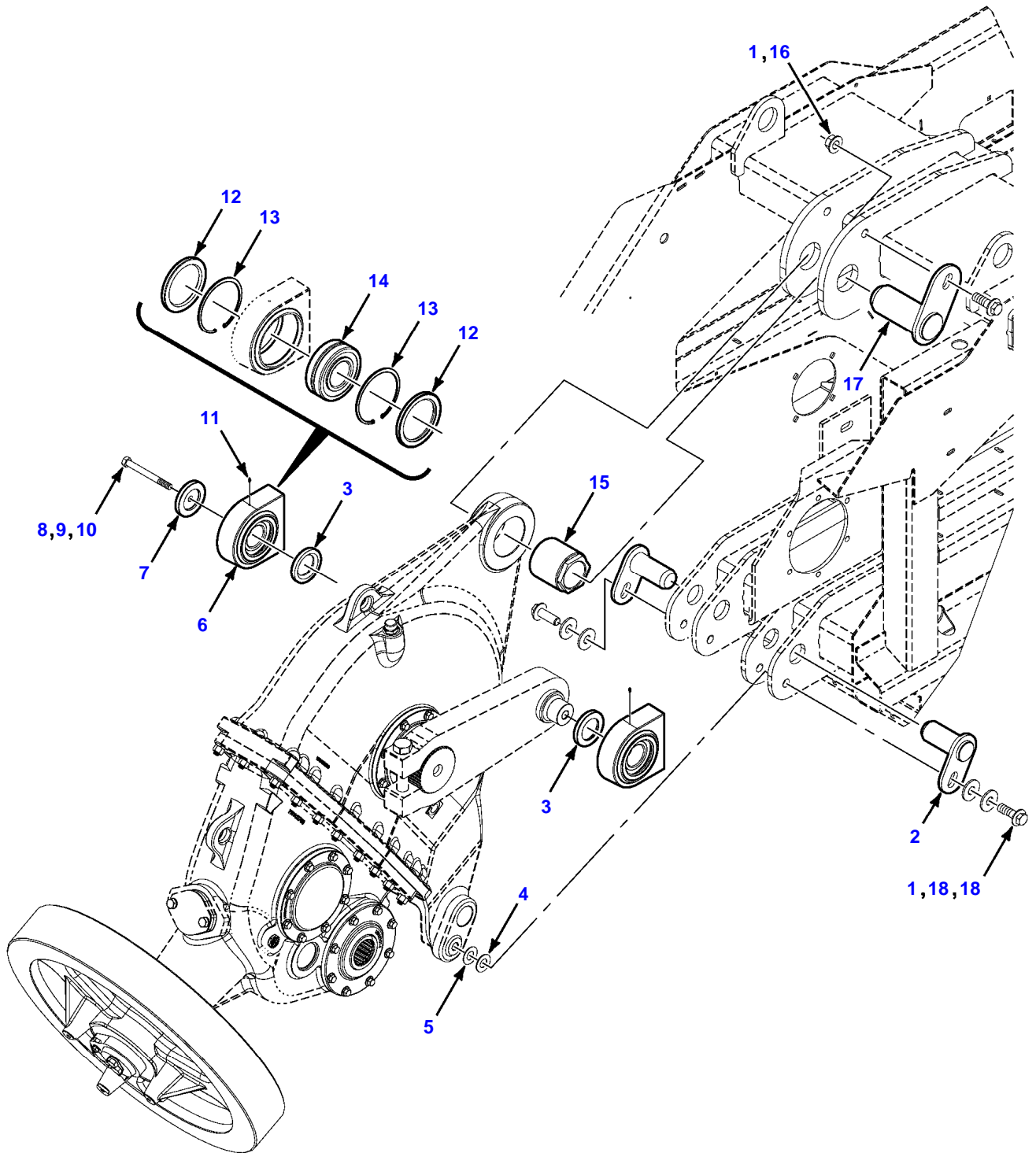
Item	Part Number	Qty	Description Comments	Technical Specification
1	703249	2	HEXAGON HEAD BOLT	3/8-16 X 1.00 GRADE 5
2	705533	2	FLAT WASHER	3/8 INCH
3	704734	2	FLANGE LOCKNUT	3/8-16
4	6489231	2	SPACER	10.34MM ID X 15.88MM OD X 8MM
5	700113054	1	HANDLE	
6	27342	1	HANDLE	
7	63883	1	CLIP	1/2 X 3
8	705541	4	FLAT WASHER	1/2
9	62174	1	PIN	5/32 X 1
10	700123832	1	BRAKE	
11	6524003	1	SPACER	
12	703223	1	HEXAGON HEAD BOLT	1/2"-13 X 4-1/2
13	704742	1	FLANGE LOCKNUT	1/2-13
14	766667	1	EYEBOLT	1/2-13 X 10"
15	7704752	2	HEX NUT	1/2-13
16	700113057	1	BRAKE PIN	

990N / 990S LARGE RECTANGULAR BALERS
MOUNTING - FLYWHEEL



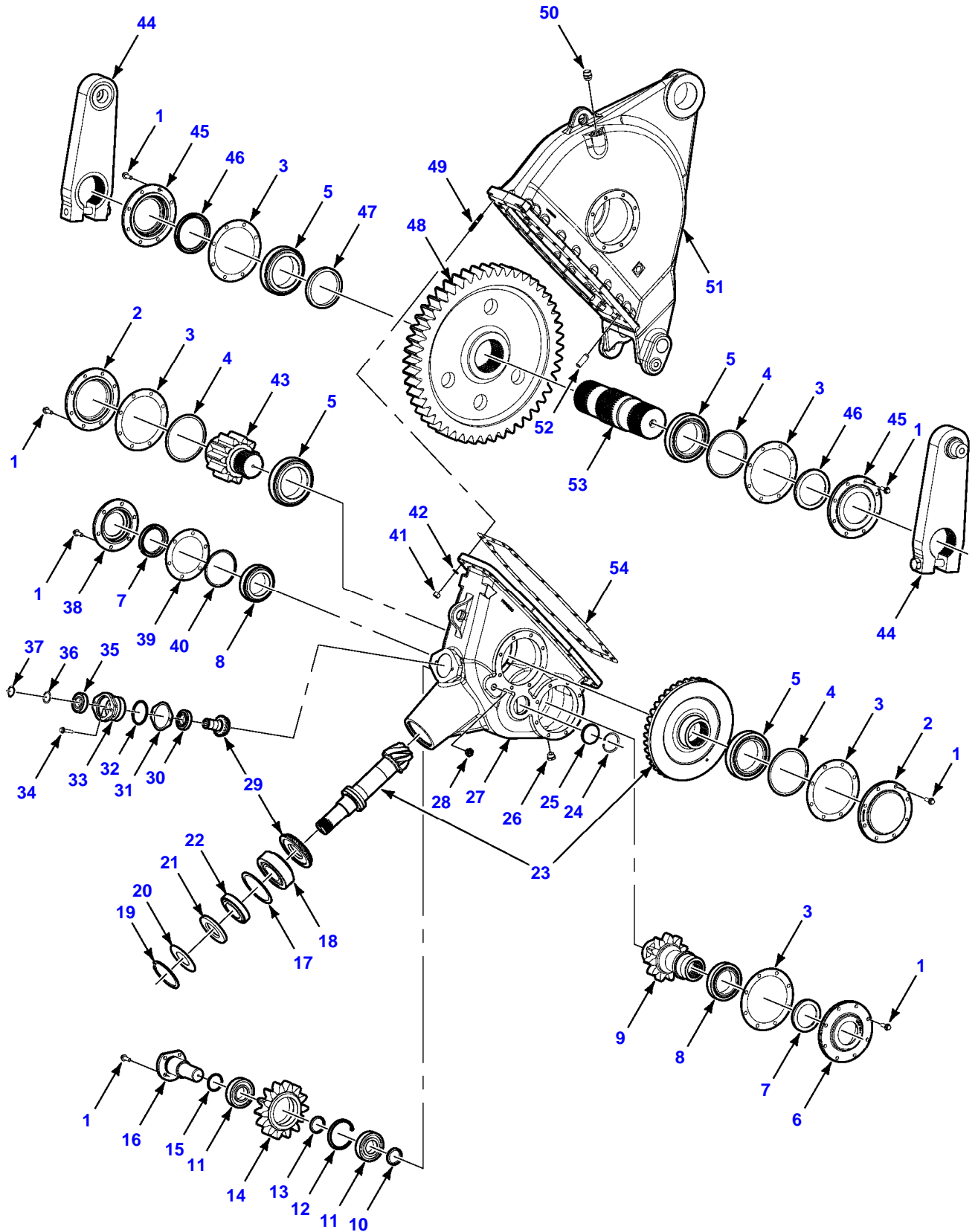
Item	Part Number	Qty	Description Comments	Technical Specification
1	7701899	1	HEXAGON HEAD BOLT	3/8-16 X 2-1/2
2	704734	1	FLANGE LOCKNUT	3/8-16
3	700710382	1	OIL SEAL	
4	714634	2	TAPERED BEARING	
5	77016	1	GREASE FITTING	1/4-28 IN
6	700123112	1	FLYWHEEL	
	714626	2	BEARING CUP	
	6855555	1	SHEAR BUSHING	
7	6855555	1	SHEAR BUSHING	
8	714626	2	BEARING CUP	
9	700706050	1	O-RING	4-1/4" ID
10	700710365	-	FLYWHEEL SHIM	0.08/0.003
11	700710366	-	FLYWHEEL SHIM	0.13/0.005
12	700710367	-	FLYWHEEL SHIM	0.25/0.010
13	700710369	-	FLYWHEEL SHIM	0.51/0.020
14	700143208	1	SHEAR HUB	
	700728938	1	PLUNGER SPRING	
15	700710394	-	FLYWHEEL HEX SHIM	0.08/0.003
16	700710395	-	FLYWHEEL HEX SHIM	0.13/0.005
17	700710396	-	FLYWHEEL HEX SHIM	0.25/0.010
18	700710397	-	FLYWHEEL HEX SHIM	0.51/0.020
19	700113045	1	LOCKING PLATE	
20	700708355	2	HEXAGON HEAD BOLT	M16 X 40 (2.0)
21	700113044	1	RETAINER CAP	
22	71393718	1	OIL TEMPERATURE SENSOR	
23	7040330	1	O-RING	0.414 ID
24	700723442	1	GEARBOX	

990N / 990S LARGE RECTANGULAR BALERS
MOUNTING - GEARBOX



Item	Part Number	Qty	Description Comments	Technical Specification
1	3009256X1	3	CARRIAGE BOLT	M20X60-ISO 10.9-ZN
2	700146842	2	GEARBOX PIN	
3	700123119	2	BEARING SPACER	
4	852608	-	WIDE RIM BUSHING	7/8 X 14, GA
5	700730827	2	WIDE RIM BUSHING	7/8 X 1-3/4 X 18 GA
6	700123120	2	BEARING	
	8744054	2	DUST SEAL	
	8052326	2	RETAINING RING	
	8051005	1	ROLLER BEARING	
7	700123122	1	FLAT WASHER	
8	703660	1	HEXAGON HEAD BOLT	3/4-10 X 5.00
9	705566	1	FLAT WASHER	3/4 INCH
10	700710072	1	LOCKNUT	3/4-10
11	77016	2	GREASE FITTING	1/4-28 IN
12	8744054	2	DUST SEAL	
13	8052326	2	RETAINING RING	
14	8051005	1	ROLLER BEARING	
15	700141086	1	ECCENTRIC GEARBOX	
16	3019128X1	1	NUT	M20-ISO 10-ZN
17	700146152	1	GEARBOX PIN	
18	700711166	4	FLAT WASHER	3/4"

990N / 990S LARGE RECTANGULAR BALERS GEARBOX ASSEMBLY





Suggest:

For more complete manuals. Please go to the home page.

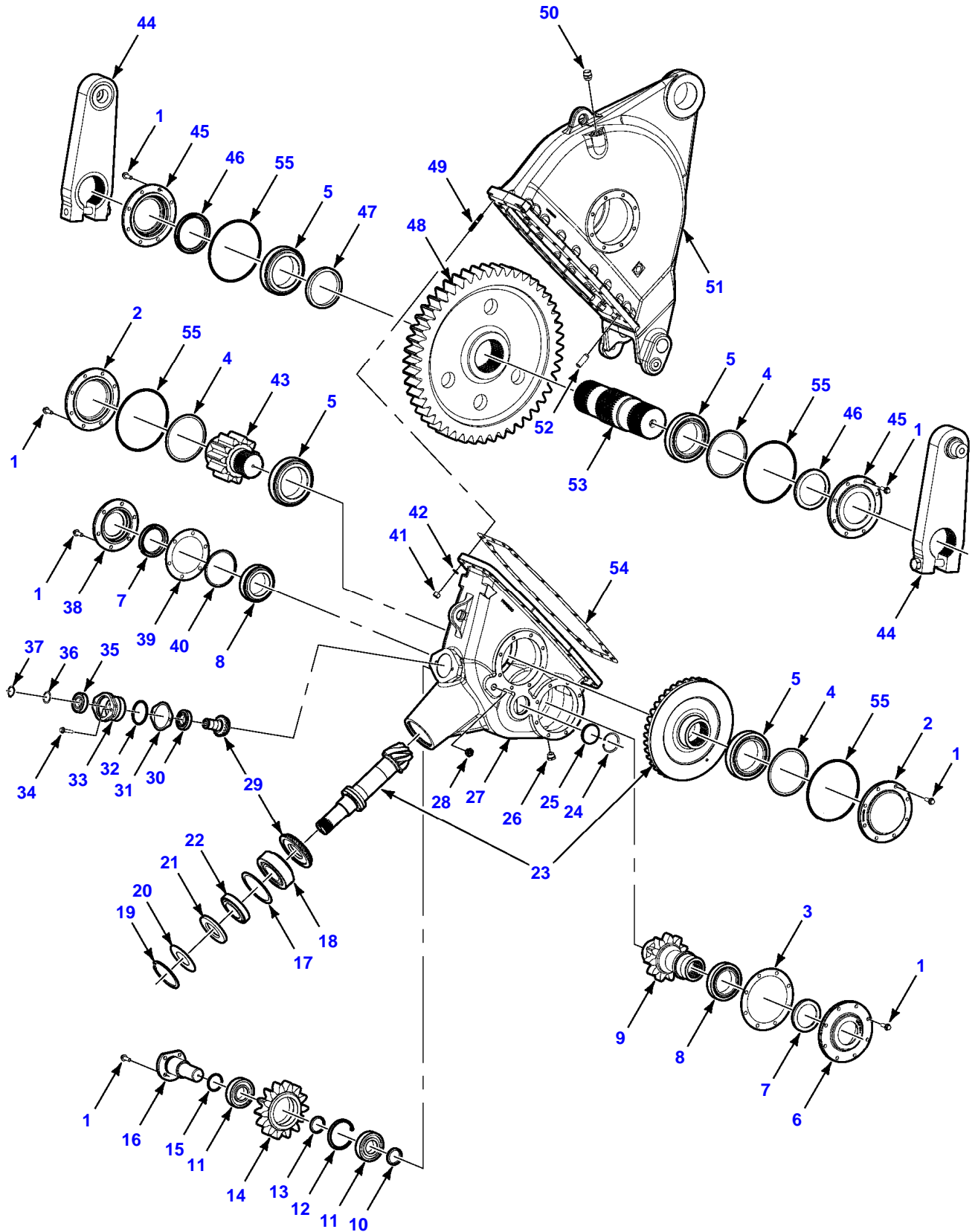
<https://www.ebooklibonline.com>

If the above button click is invalid. Please download this document first, and then click the above link to download the complete manual.

Thank you so much for reading

Item	Part Number	Qty	Description Comments	Technical Specification
S/N HT73101 - BHB03148				
	700723442	1	GEARBOX	
1	3012181X1	50	HEXAGON FLANGE HEAD BOLT	M12X35-ISO 8.8-ZN
2	700730857	2	END CAP, RIGHT HAND	
3	700730873	5	ENDCAP SEAL	
4	700730891	3	SHIM KIT, RIGHT HAND	
5	700730934	4	BEARING	
6	700730930	1	END CAP	
7	700730909	2	OIL SEAL	
8	700730900	2	BEARING	
9	700730923	1	SECONDARY OUTPUT SHAFT	
10	700730877	1	BEARING SPACER	
11	700730898	2	BEARING	
12	700730886	1	RETAINING RING	
13	700730876	1	BEARING SPACER	
14	700730867	1	IDLER SHAFT GEAR	
15	700730910	1	O-RING	2.313 ID
16	700730870	1	END CAP	
17	700730943	1	SHIM KIT	
18	700730936	1	BEARING	
19	700730932	1	RETAINING RING	
20	700730926	1	SEALING PLATE	
21	700730939	1	OIL SEAL	
22	700730935	1	BEARING	
23	700730940	1	BEVEL GEAR, PINION SHAFT MATCHED SET	
24	700730884	1	RETAINING RING	
25	700730913	1	COVER	
26	700730914	1	MAGNETIC OIL PLUG	
27	700730921	1	GEARBOX HOUSING	
28	700730915	1	OIL PLUG	
29	700730941	1	GEAR SET	
30	700730902	1	BEARING	
31	700730889	1	SEAL KIT	
32	700730912	1	O-RING	3.109 ID
33	700730863	1	HYDRAULIC PUMP SUPPORT	
34	3009210X1	2	CARRIAGE BOLT	M10X45-ISO 10.9-ZN
35	700730897	1	BEARING	
36	700730888	1	SHIM KIT	
37	700730883	1	RETAINING RING	
38	700730860	1	END CAP	
39	700730872	1	OUTPUT SHAFT END COVER GASKET	
40	700730890	1	SHIM KIT, RIGHT HAND	
41	3008628X1	18	HEX NUT	M14-ISO 12-PL
42	339704X1	18	WASHER	M14.5 X 24 X 2.5MM, STEEL-ZN
43	700730922	1	INTERMEDIATE SHAFT	
44	700730942	2	CRANK ARM KIT	
	71430784	1	HEXAGON HEAD BOLT	M27 X 170 X 2 C12.9 P
	71430785	1	FLAT WASHER	S27
45	700730928	2	END CAP	
46	700730938	2	OIL SEAL	
47	700730927	1	SPACER, RIGHT HAND	
48	700730924	1	PRIMARY OUTPUT GEAR	
49	700730931	18	GEARBOX HOUSING STUD	
50	700730916	1	OIL PLUG	
51	700730920	1	GEARBOX HOUSING	
52	700730896	4	DOWEL PIN	
53	700730925	1	PRIMARY OUTPUT SHAFT	
54	700730933	1	SEAL KIT	

990N / 990S LARGE RECTANGULAR BALERS GEARBOX ASSEMBLY



<https://www.ebooklibonline.com>

Hello dear friend!

Thank you very much for reading.

Enter the link into your browser.

The full manual is available for immediate download.

<https://www.ebooklibonline.com>