

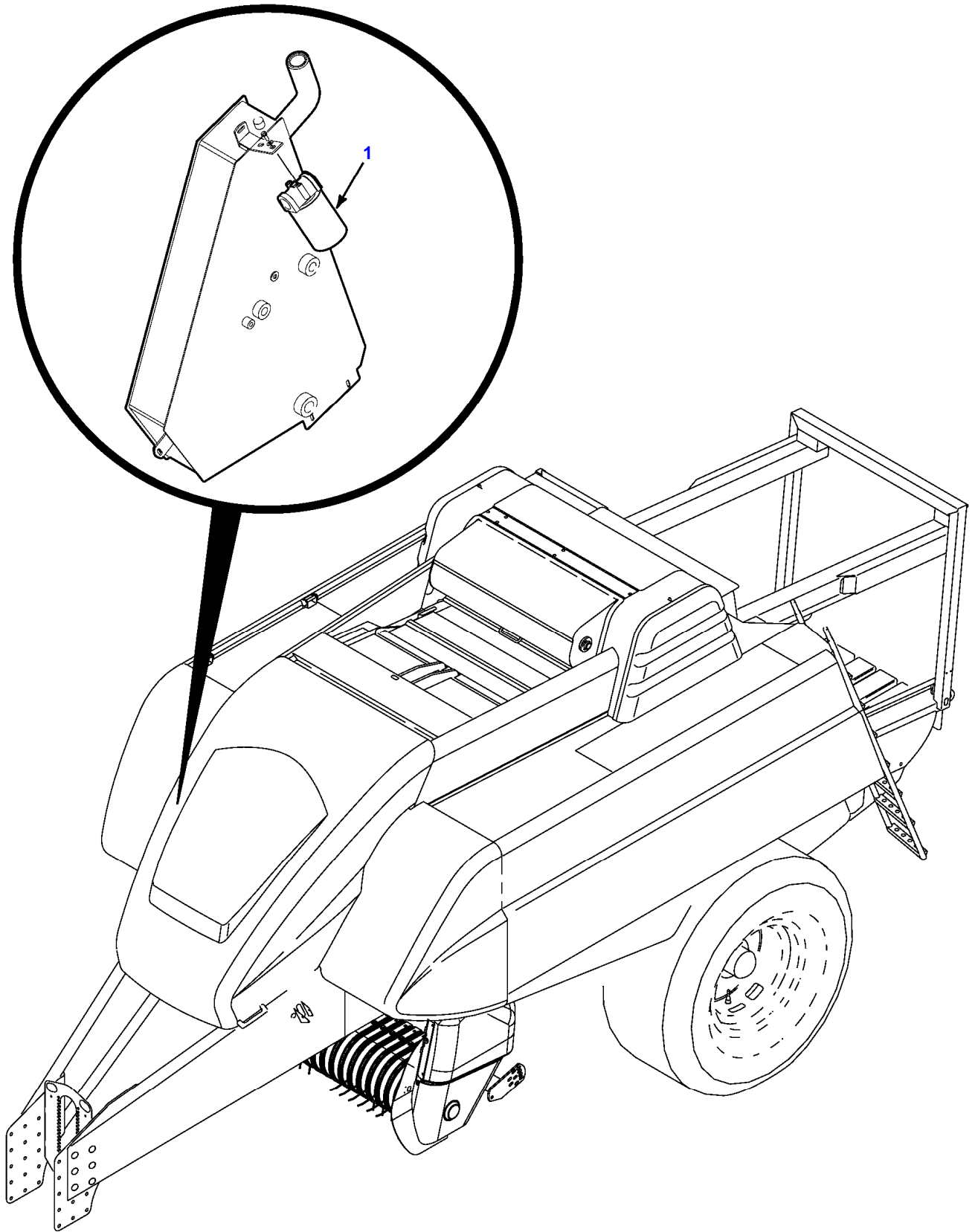
**TABLE OF CONTENT**

<b>Page Number</b>	<b>Page Title</b>	<b>Page Reference</b>
01-000-TOC	DRIVE SYSTEM	01-000-TOC
02-000-TOC	HYDRAULIC SYSTEM	02-000-TOC
03-000-TOC	ELECTRICAL SYSTEM	03-000-TOC
04-000-TOC	BALE FEEDING SYSTEM	04-000-TOC
05-000-TOC	BALE FORMING SYSTEM	05-000-TOC
06-000-TOC	BALE KNOTTING SYSTEM	06-000-TOC
07-000-TOC	BALE EJECTING SYSTEM	07-000-TOC
08-000-TOC	CHASSIS	08-000-TOC
09-000-TOC	DECALS	09-000-TOC
10-000-TOC	AXLES, SPINDLES, AND WHEELS	10-000-TOC
11-000-TOC	BRAKE SYSTEM	11-000-TOC
12-000-TOC	ACCESSORIES	12-000-TOC

## DRIVE SYSTEM

Page Number	Page Title	Page Reference
01-0001	FILTER	331642
01-0002	MAIN DRIVE	331643
01-0003	MAIN DRIVE S/N EHB03169 AND LATER	1629293
01-0004	CLUTCH - FLYWHEEL	331644
01-0005	DRIVE SHAFT	331645
01-0006	SECONDARY DRIVE SHAFT	331646
01-0007	PRIMARY DRIVE SHAFT - CE 1-3/8 INCH X 21 SPLINE	331647
01-0008	PRIMARY DRIVE SHAFT - CE 1-3/4 INCH X 20 SPLINE	331648
01-0009	BRAKE - FLYWHEEL	331649
01-0010	MOUNTING - FLYWHEEL	331650
01-0011	MOUNTING - GEARBOX	331651
01-0012	GEARBOX ASSEMBLY	331652
01-0013	AUXILIARY DRIVE - LEFT HAND	331653
01-0014	AUXILIARY DRIVE - RIGHT HAND PACKER OR CUTTER	331654
01-0015	SHAFT AND SPROCKET - AUXILIARY	331655
01-0016	SLIP CLUTCH - AUXILIARY PACKER OR CUTTER	331656
01-0017	TENSIONER PACKER CUTTER	331657
01-0018	SLIP CLUTCH - AUXILIARY PACKER CUTTER	331658
01-0019	DRIVE - CUTTER	331659
01-0020	GEARBOX ASSEMBLY - CUTTER	331660
01-0021	SLIP CLUTCH - CUTTER	331661
01-0022	CHAIN LUBE PACKER OR PACKER CUTTER	1499889
01-0023	CHAIN LUBE CUTTER ONLY	1499890

990N / 990S / 990R LARGE RECTANGULAR BALERS (EHB03101 - 9999)  
FILTER



**<https://www.ebooklibonline.com>**

Hello dear friend!

Thank you very much for reading.

Enter the link into your browser.

The full manual is available for immediate download.

**<https://www.ebooklibonline.com>**

---

Fendt

990N / 990S / 990R LARGE RECTANGULAR BALERS (EHB03101 - 9999)

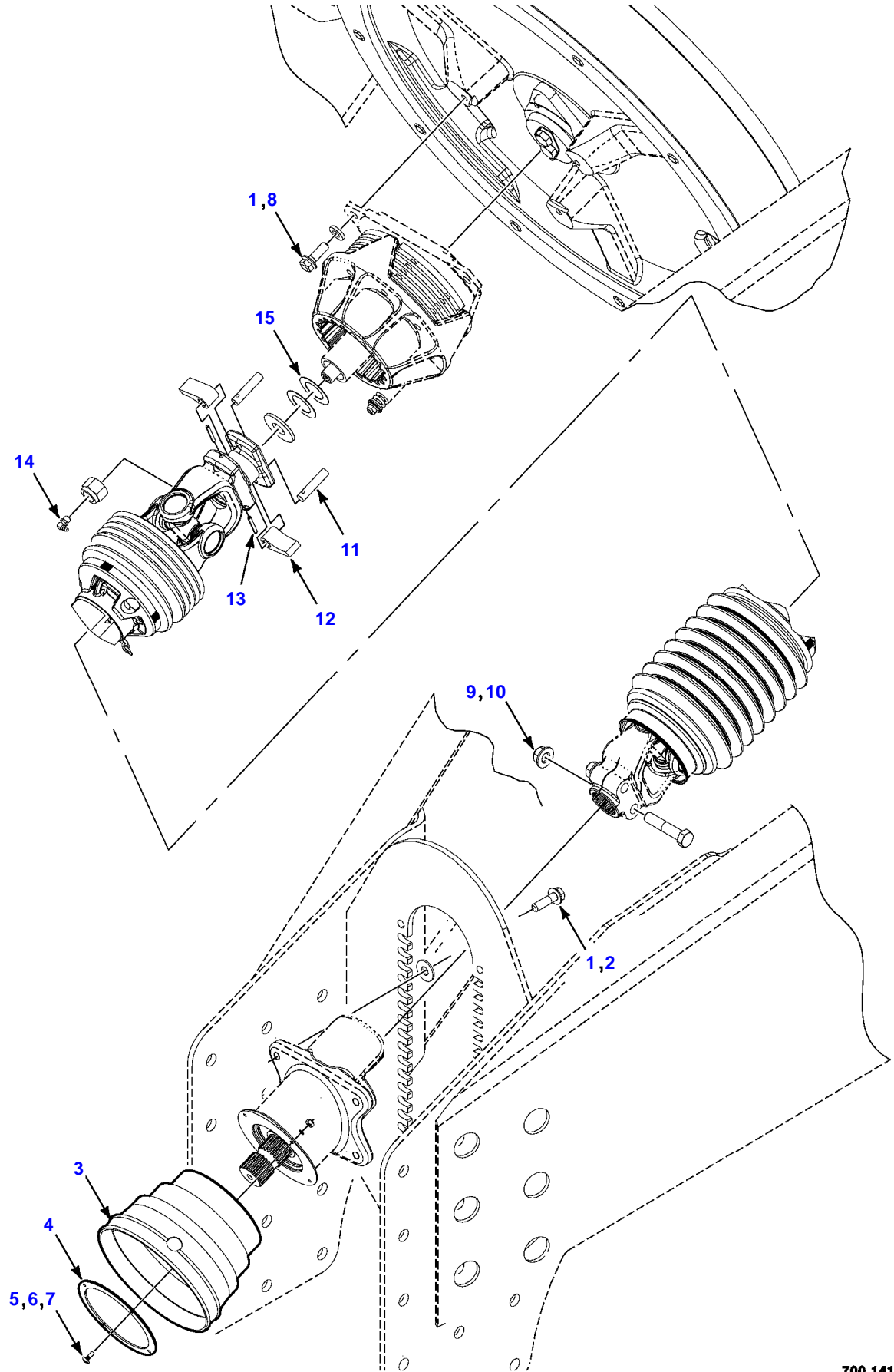
79035998

FILTER

Page01-0001

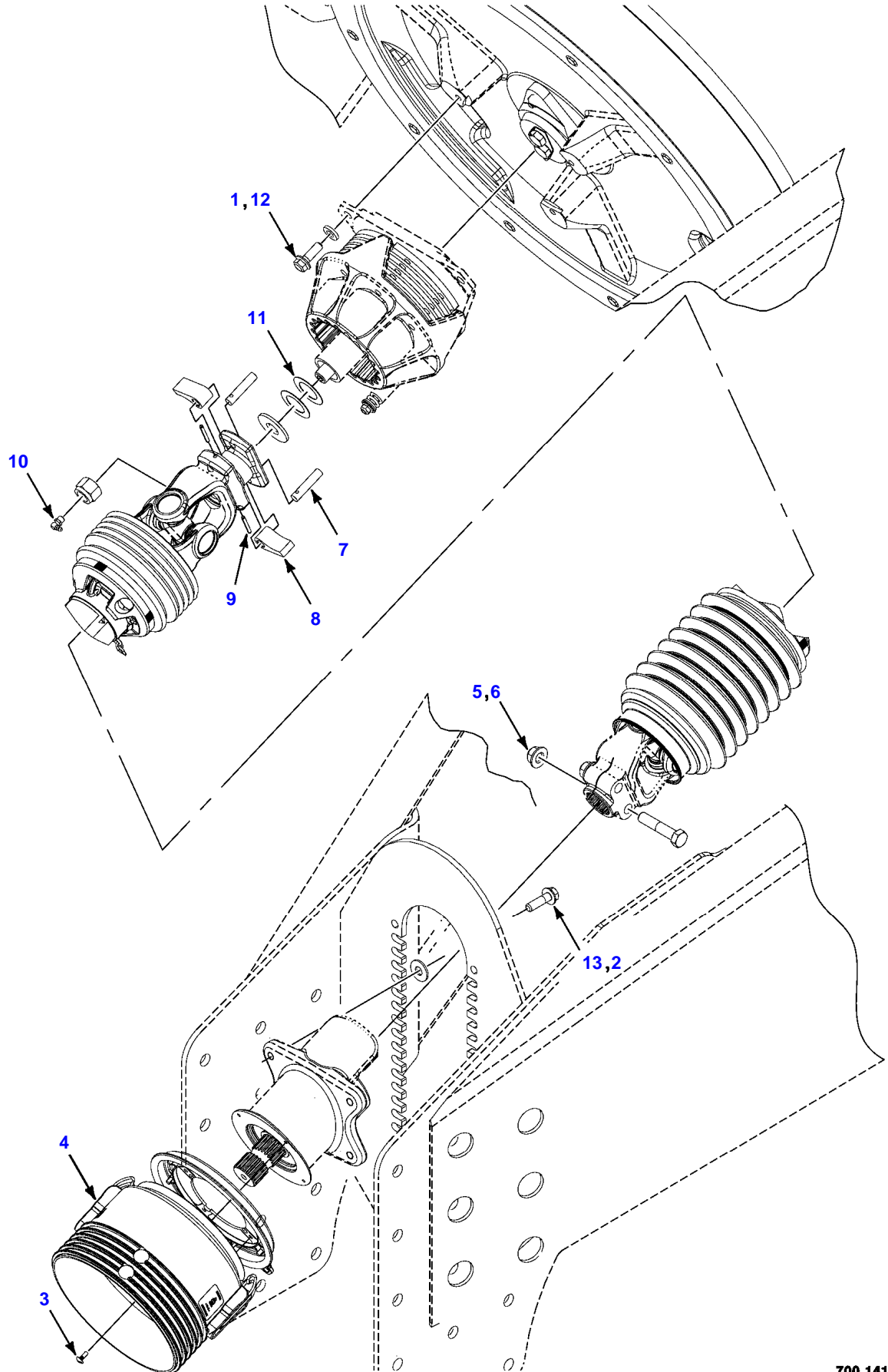
Item	Part Number	Qty	Description Comments
1	700738685	1	FILTER
	700738686	1	FILTER ELEMENT

990N / 990S / 990R LARGE RECTANGULAR BALERS (EHB03101 - 9999)  
MAIN DRIVE



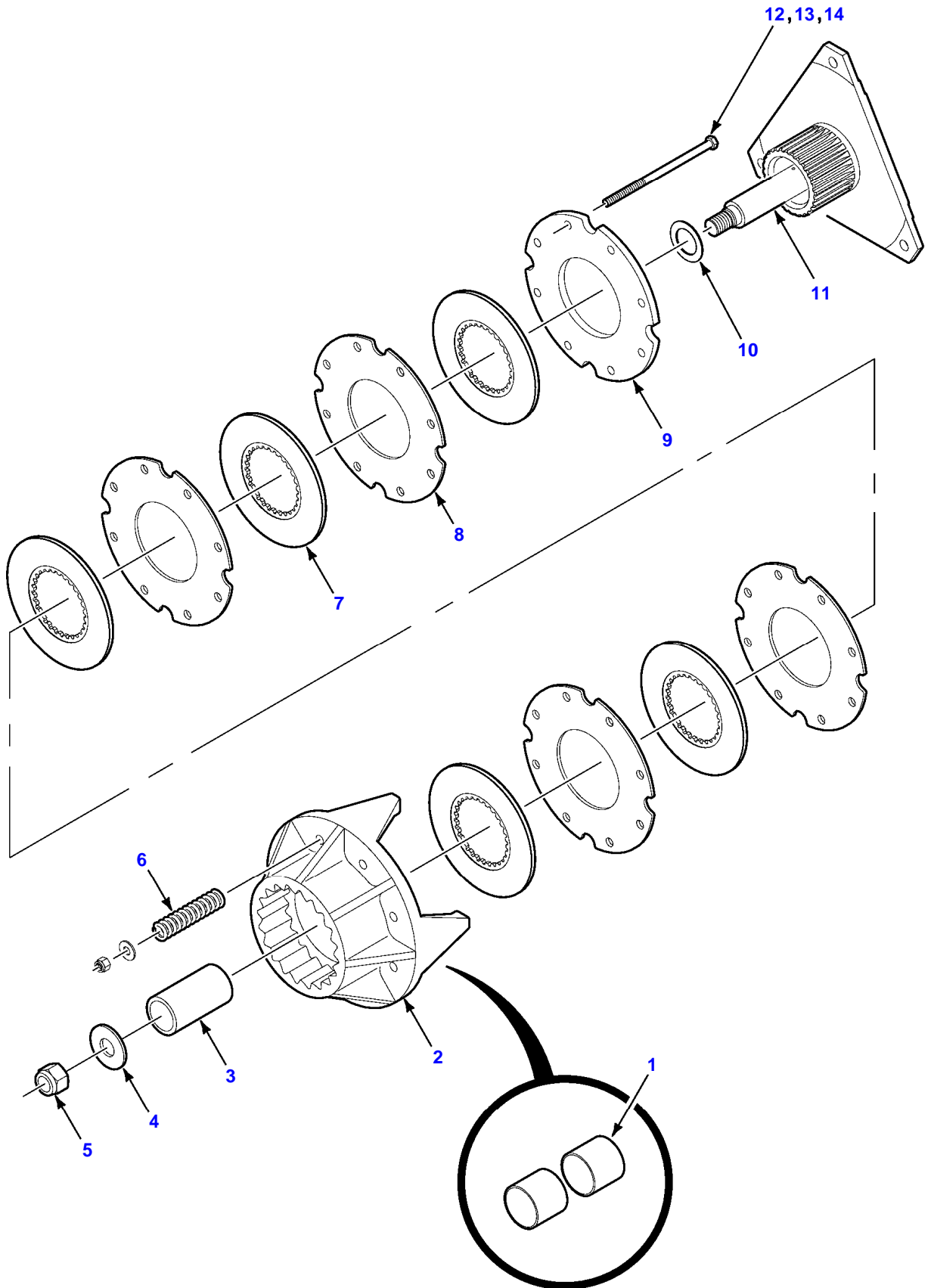
Item	Part Number	Qty	Description Comments	Technical Specification
1	8701237	7	HEX FLANGE HEAD BOLT	1/2"-13 X 1-1/2", GR8
2	700711557	4	FLAT WASHER	1/2"
3	700729081	1	CONE GUARD	
4	700143340	1	MOUNTING FLANGE	
5	700737790	4	PAN HEAD SCREW	#12-24 X 3/4, RIBBED NECK
6	7705692	4	LOCK WASHER	#12
7	700705521	4	SPECIAL LOCKNUT	#12-24
8	705541	3	FLAT WASHER	1/2"
9	700708270	2	HEX HEAD BOLT	5/8"-11 X 3", GR8
10	700711198	2	HEX FLANGE LOCKNUT	5/8"-11, GRG
11	700113037	2	PAWL PIN	
12	700113036	2	CLUTCH PAWL	
13	Z63396	2	SPLIT PIN	3/16" X 1-1/2"
14	Z77115	1	GREASE FITTING	1/8"-27, 90D
15	6522932	2	CLUTCH SHIM	1-13/32" ID X 2-1/4" OD

990N / 990S / 990R LARGE RECTANGULAR BALERS (EHB03101 - 9999)  
MAIN DRIVE



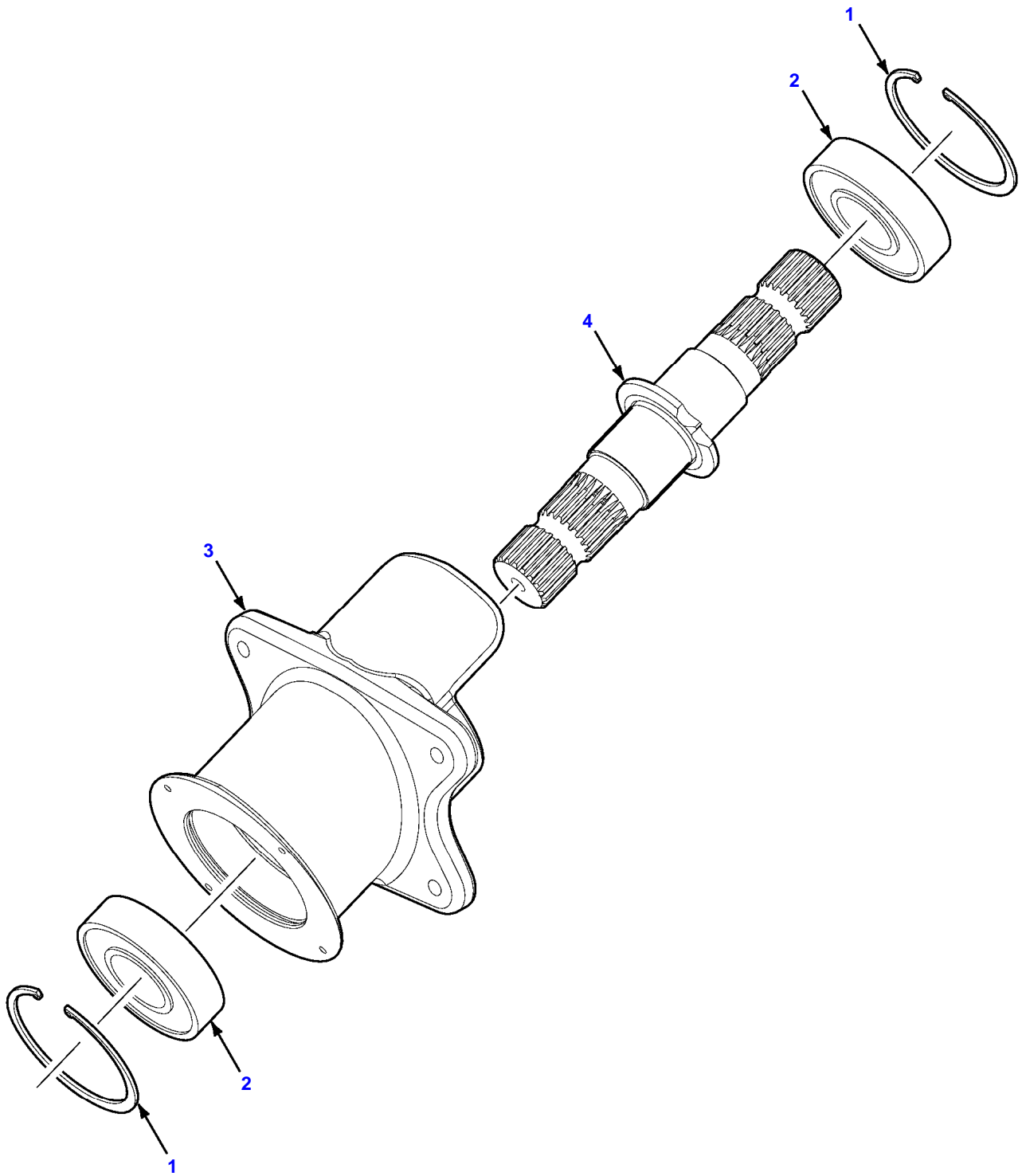
Item	Part Number	Qty	Description Comments	Technical Specification
			<b>S/N EHB03169 AND LATER</b>	
1	8701237	3	HEX FLANGE HEAD BOLT	1/2"-13 X 1-1/2", GR8
2	700711557	4	FLAT WASHER	1/2"
3	3012141X1	4	HEX FLANGE HEAD BOLT	M6 X 1.0 X 16MM, CL8.8
4	700744199	1	CONE SHIELD	
5	700708270	2	HEX HEAD BOLT	5/8"-11 X 3", GR8
6	700711198	2	HEX FLANGE LOCKNUT	5/8"-11, GRG
7	700113037	2	PAWL PIN	
8	700113036	2	CLUTCH PAWL	
9	Z63396	2	SPLIT PIN	3/16" X 1-1/2"
10	Z77115	1	GREASE FITTING	1/8"-27, 90D
11	6522932	2	CLUTCH SHIM	1-13/32" ID X 2-1/4" OD
12	705541	3	FLAT WASHER	1/2"
13	3009222X1	4	HEX FLANGE HEAD BOLT	M12 X 1.75 X 40MM, CL10.9, ZN

990N / 990S / 990R LARGE RECTANGULAR BALERS (EHB03101 - 9999)  
CLUTCH - FLYWHEEL



Item	Part Number	Qty	Description Comments	Technical Specification
1	7852114	2	BUSHING	1-1/2" ID X 1-3/8", BRONZE
2	700164637	1	CLUTCH HOUSING	
	7852114	2	BUSHING	1-1/2" ID X 1-3/8", BRONZE
3	6350805	1	HEADER PICKUP TUBE	2" OD X 3-3/4"
4	76521	1	FLAT WASHER	NON-PLATED, 7/8
5	700707250	1	HEX NUT	7/8"-14
6	858019	8	COMPRESSION SPRING	
7	700108820	5	FRICTION DISC	6-7/8" DIA
8	700112903	4	CLUTCH PLATE	
9	6522866	1	CLUTCH PLATE	
10	Z52274	1	MACHINERY BUSHING	1-3/8" X 14GA
11	700193077	1	CLUTCH PILOT	
12	700732562	8	HEX HEAD BOLT	3/8"-16 X 7-1/2", GR5
13	700709603	8	FLAT WASHER	3/8"
14	704734	8	HEX FLANGE LOCKNUT	3/8"-16

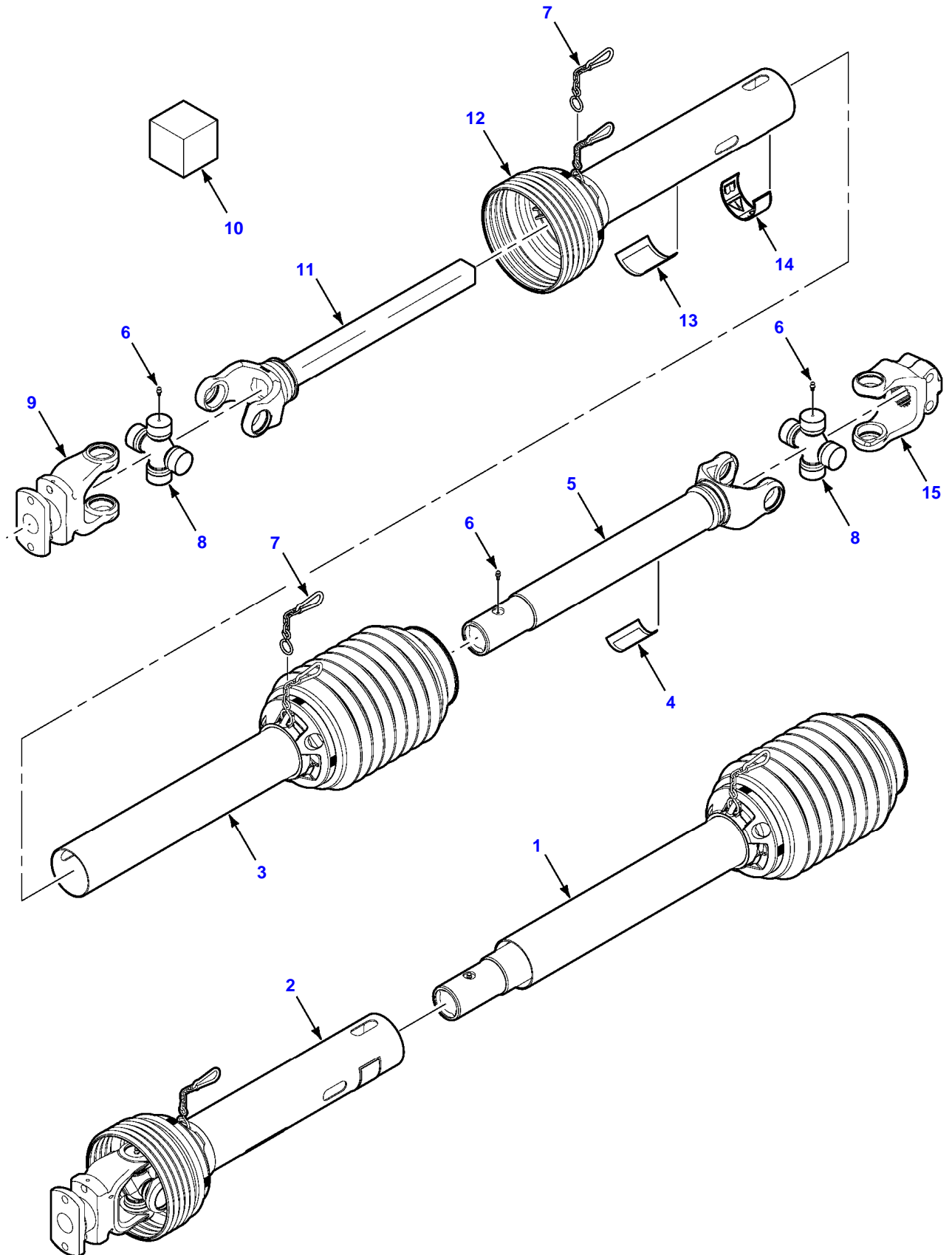
990N / 990S / 990R LARGE RECTANGULAR BALERS (EHB03101 - 9999)  
DRIVE SHAFT



---

Item	Part Number	Qty	Description Comments	Technical Specification
1	8052326	2	RETAINING RING	101MM OD
2	700721594	2	BALL BEARING	45 X 100 X 25MM
3	700734696	1	SUPPORT	
4	700174791	1	DRIVE SHAFT	

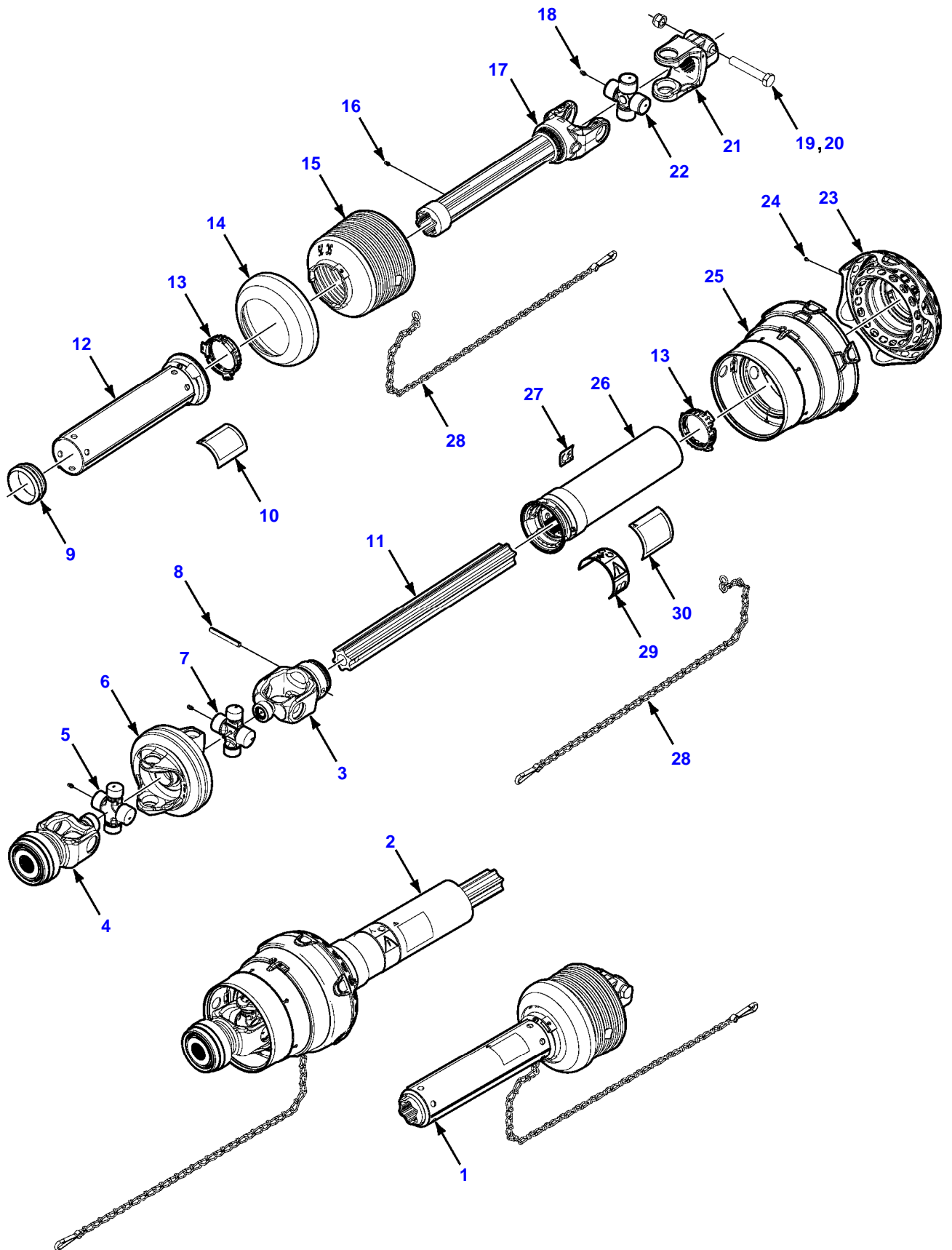
990N / 990S / 990R LARGE RECTANGULAR BALERS (EHB03101 - 9999)  
SECONDARY DRIVE SHAFT



Item	Part Number	Qty	Description Comments	Technical Specification
1	700724125	1	PTO HALF SHAFT	
2	700724123	1	PTO HALF SHAFT	
3	700724141	1	DRIVE SHAFT SAFETY GUARD	
4	700747136	1	DANGER DECAL, SHIELD MISSING	127MM X 87MM
5	700724142	1	YOKE TUBE [A]	
6	Z77016	3	GREASE FITTING	1/4"-28
7	700720152	2	CHAIN KIT	
8	700724136	2	CROSS AND BEARING KIT	39MM DIA CAP, 109MM OL
	Z77016	1	GREASE FITTING	1/4"-28
9	700706955	1	YOKE	
	7711799	1	CYLINDRICAL BEARING	
	700706956	1	BUSHING	35MM X 41MM X 32MM, BRONZE
	7052798	1	RETAINING RING	52.17MM
	Z77107	1	GREASE FITTING	1/8"-27, 65D
10	700723268	2	GUARD BUSHING KIT	NYLON
11	700724137	1	YOKE SHAFT	
12	700724140	1	DRIVE SHAFT SAFETY GUARD [A]	
13	700747135	1	DANGER DECAL, ROTATING DRIVELINE	134MM X 95MM
14	700746100	1	WARNING DECAL	
15	700721794	1	YOKE	

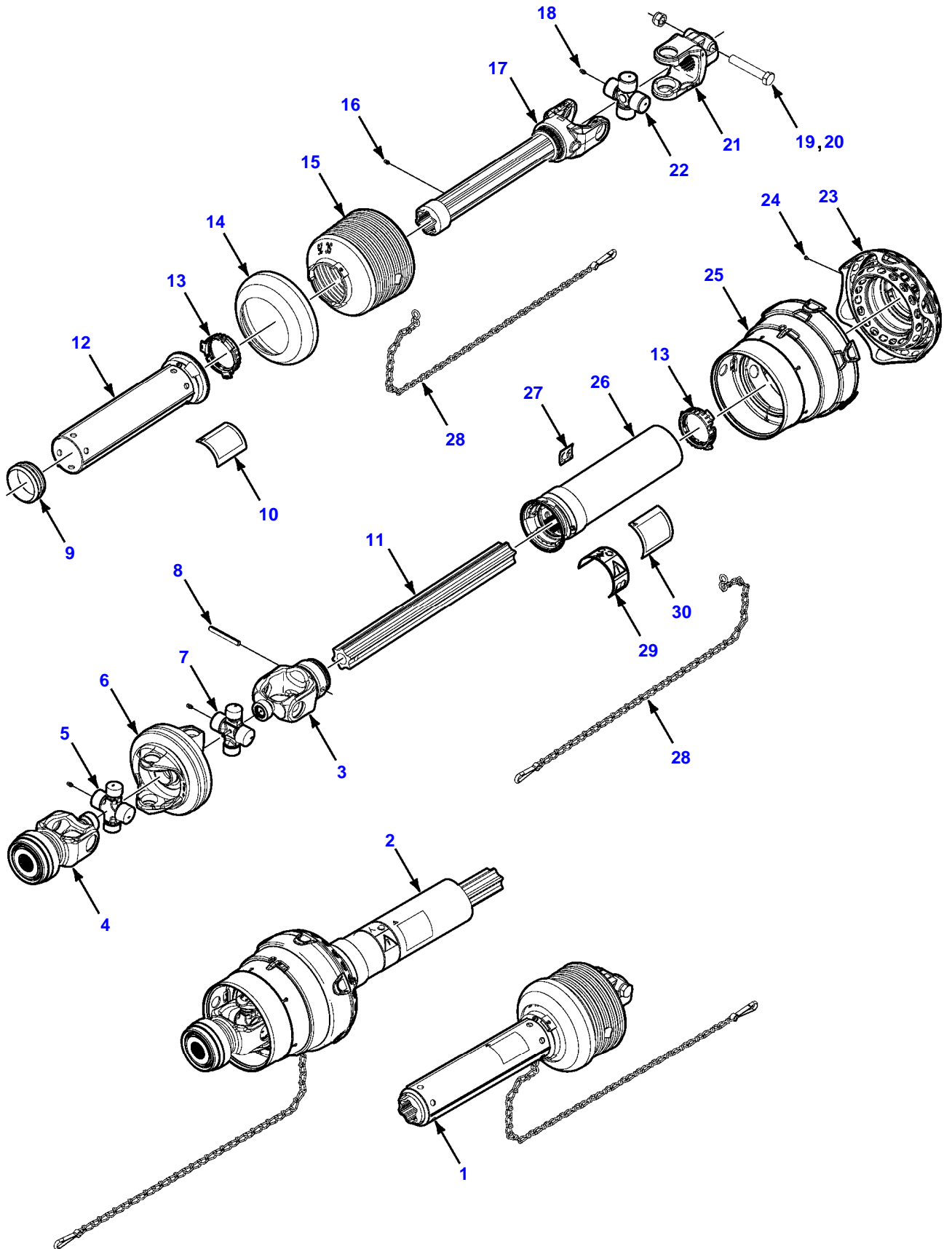
**[A] THE APPROPRIATE SAFETY DECALS MUST BE ORDERED AND FITTED TO THIS PART**

990N / 990S / 990R LARGE RECTANGULAR BALERS (EHB03101 - 9999)  
PRIMARY DRIVE SHAFT - CE



Item	Part Number	Qty	Description Comments	Technical Specification
<b>1-3/8 INCH X 21 SPLINE</b>				
1	700737113	1	PTO HALF SHAFT	1-3/4", 20 SPLINE
2	700735106	1	PTO HALF SHAFT	
3	700735112	1	YOKE	
4	700735109	1	YOKE	1-3/8", 21 SPLINE
	700735126	1	REPAIR KIT	LOCK
5	700735113	1	CROSS AND BEARING KIT	32 & 36MM DIA CAP, 112MM OL
6	700735110	1	DOUBLE YOKE	
7	700735111	1	CROSS AND BEARING KIT	32 & 36MM DIA CAP, 112MM OL
8	763847	1	SPRING PIN	10 X 75 MM
9	700735123	1	BEARING BRACKET	
10	700747136	1	DANGER DECAL, SHIELD MISSING	127MM X 87MM
11	700735114	1	INNER PROFILE SHAFT	
12	700737117	1	INNER GUARD [A]	
13	8800633	2	BEARING RING	SC25
14	700735124	1	REINFORCING COLLAR	
15	700735122	1	CONE GUARD	7 RIB
16	700713262	1	GREASE FITTING	1/4"-28 X 9/16"
17	700737115	1	YOKE TUBE	IB (S5G)
18	700735125	3	GREASE FITTING	M6 X 1
19	339182X1	1	HEX CAP SCREW	M16 X 2 X 90, CL8.8
20	1442739X1	1	HEX LOCKNUT	M16 X 2, CL8
21	700737116	1	YOKE	1-3/4"-20 SPLINE
22	700735116	1	CROSS AND BEARING KIT	36MM DIA CAP, 89MM OL
23	700735121	1	GUARD CONE AND FLEX NET	
24	700714614	10	MACHINE SCREW	
25	700735120	1	DRIVE SHAFT SAFETY GUARD	
26	700735117	1	GUARD TUBE AND CAP [A]	
27	700735129	1	DECAL, CE	
28	71382485	2	SAFETY CHAIN	
29	700746100	1	WARNING DECAL	
30	700747135	1	DANGER DECAL, ROTATING DRIVELINE	134MM X 95MM
<b>[A] THE APPROPRIATE SAFETY DECALS MUST BE ORDERED AND FITTED TO THIS PART</b>				

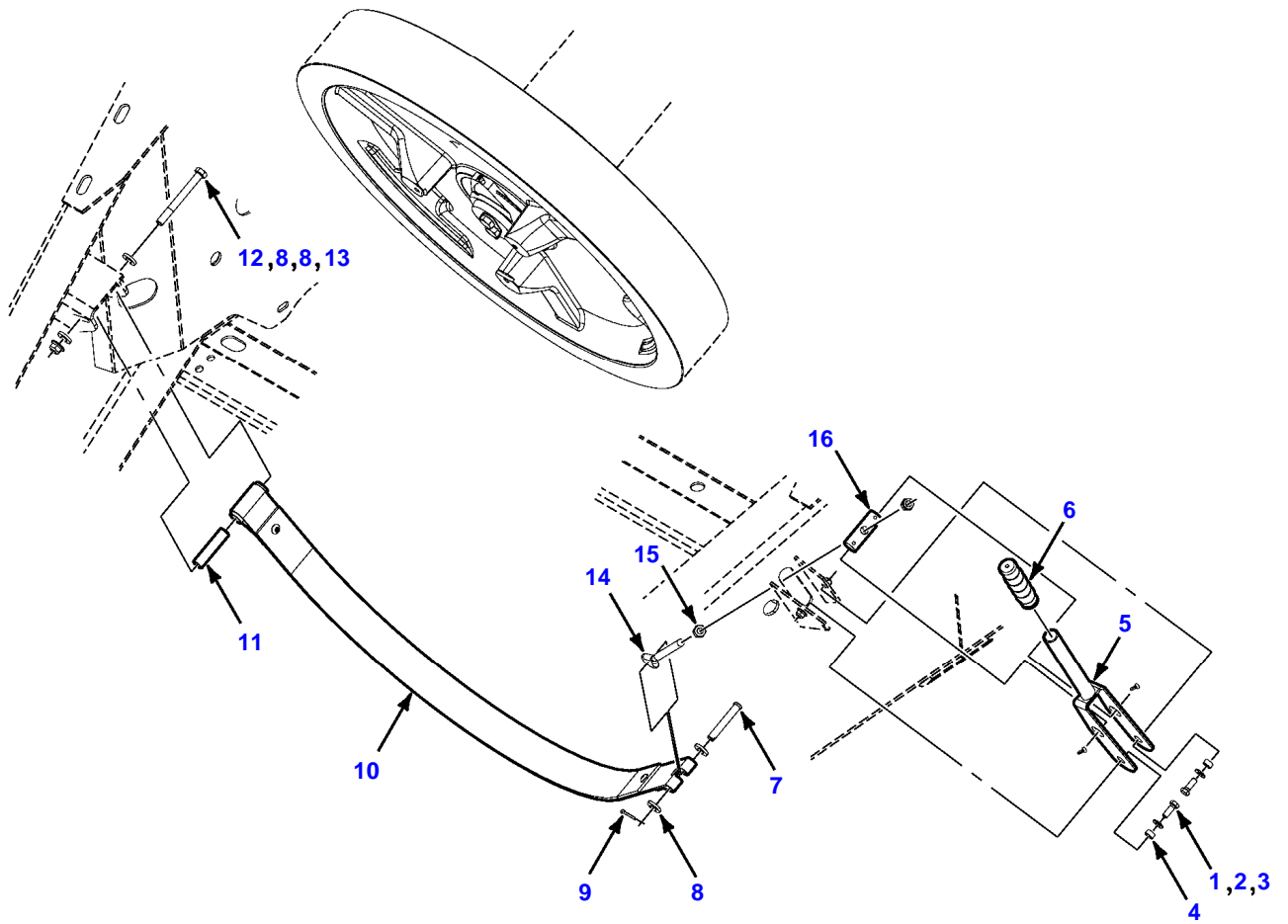
990N / 990S / 990R LARGE RECTANGULAR BALERS (EHB03101 - 9999)  
PRIMARY DRIVE SHAFT - CE



Item	Part Number	Qty	Description Comments	Technical Specification
<b>1-3/4 INCH X 20 SPLINE</b>				
1	700737113	1	PTO HALF SHAFT	1-3/4", 20 SPLINE
2	700735108	1	PTO HALF SHAFT	1-3/4", 20 SPLINE
3	700735112	1	YOKE	
4	700735127	1	YOKE	1-3/4", 20 SPLINE
	700735128	1	REPAIR KIT	LOCK
5	700735113	1	CROSS AND BEARING KIT	32 & 36MM DIA CAP, 112MM OL
6	700735110	1	DOUBLE YOKE	
7	700735111	1	CROSS AND BEARING KIT	32 & 36MM DIA CAP, 112MM OL
8	763847	1	SPRING PIN	10 X 75 MM
9	700735123	1	BEARING BRACKET	
10	700747136	1	DANGER DECAL, SHIELD MISSING	127MM X 87MM
11	700735114	1	INNER PROFILE SHAFT	
12	700737117	1	INNER GUARD [A]	
13	8800633	2	BEARING RING	SC25
14	700735124	1	REINFORCING COLLAR	
15	700735122	1	CONE GUARD	7 RIB
16	700713262	1	GREASE FITTING	1/4"-28 X 9/16"
17	700737115	1	YOKE TUBE	IB (S5G)
18	700735125	3	GREASE FITTING	M6 X 1
19	339182X1	1	HEX CAP SCREW	M16 X 2 X 90, CL8.8
20	1442739X1	1	HEX LOCKNUT	M16 X 2, CL8
21	700737116	1	YOKE	1-3/4"-20 SPLINE
22	700735116	1	CROSS AND BEARING KIT	36MM DIA CAP, 89MM OL
23	700735121	1	GUARD CONE AND FLEX NET	
24	700714614	10	MACHINE SCREW	
25	700735120	1	DRIVE SHAFT SAFETY GUARD	
26	700735117	1	GUARD TUBE AND CAP [A]	
27	700735129	1	DECAL, CE	
28	71382485	2	SAFETY CHAIN	
29	700746100	1	WARNING DECAL	
30	700747135	1	DANGER DECAL, ROTATING DRIVELINE	134MM X 95MM

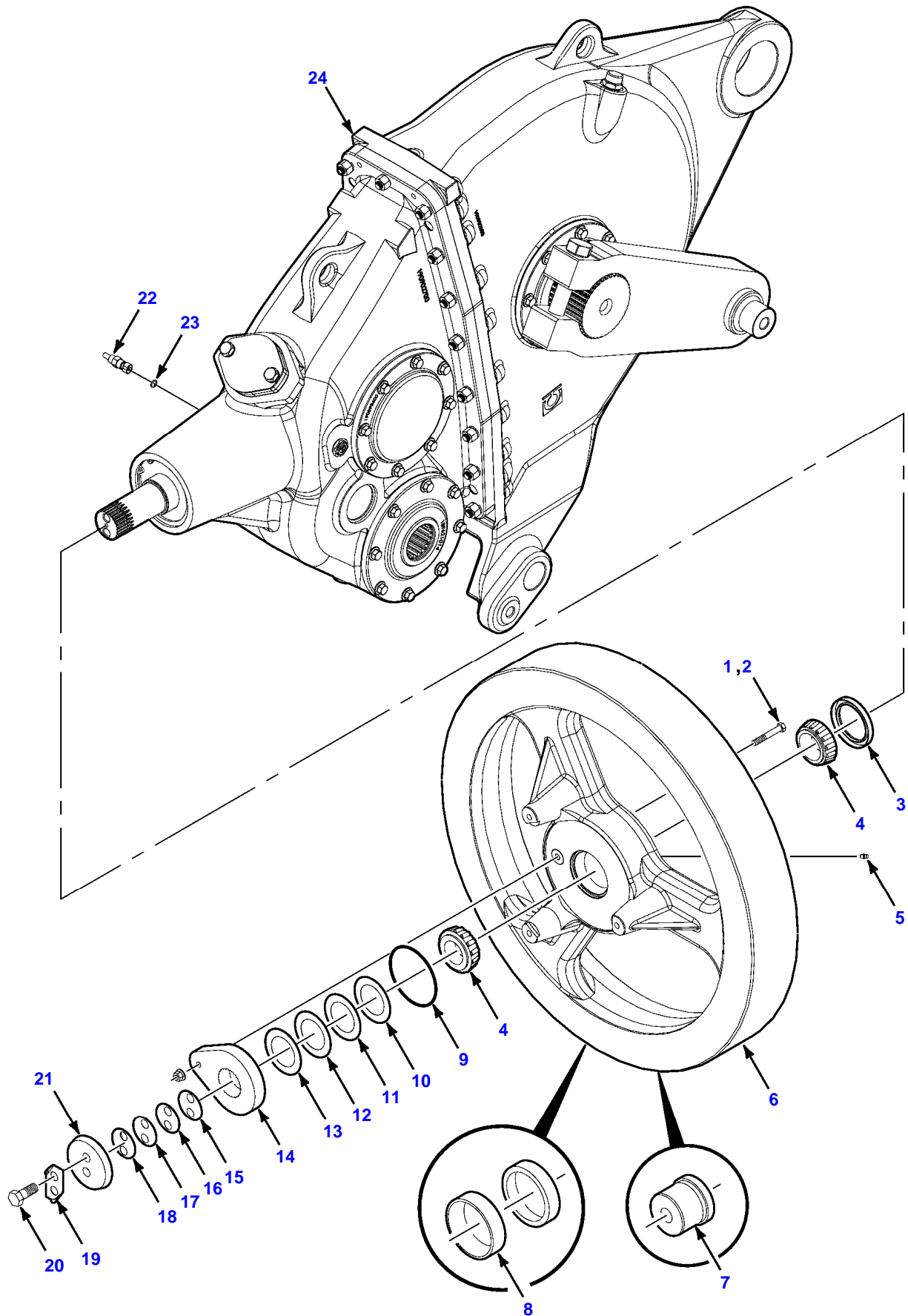
**[A] THE APPROPRIATE SAFETY DECALS MUST BE ORDERED AND FITTED TO THIS PART**

990N / 990S / 990R LARGE RECTANGULAR BALERS (EHB03101 - 9999)  
BRAKE - FLYWHEEL



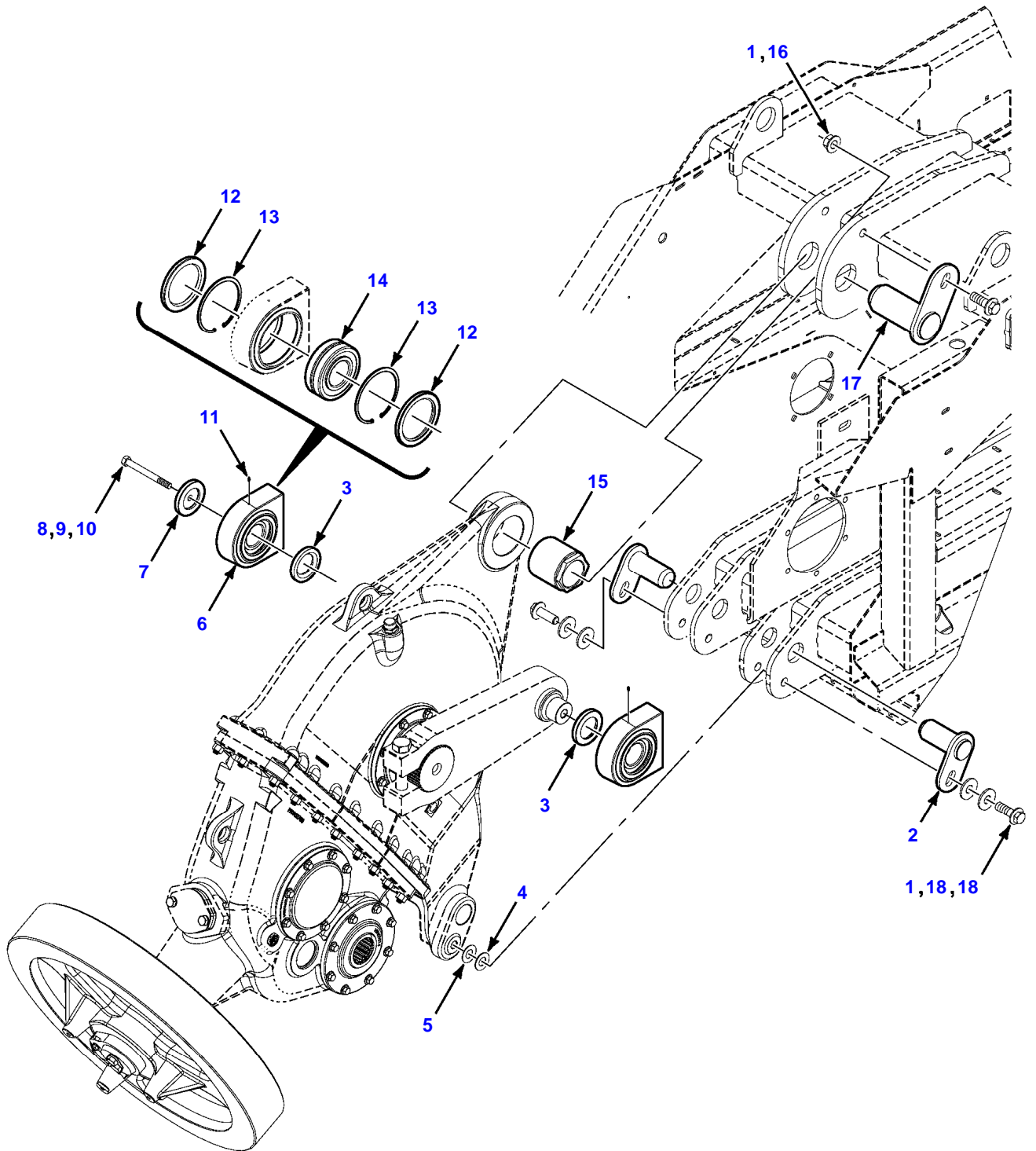
Item	Part Number	Qty	Description Comments	Technical Specification
1	703249	2	HEX HEAD BOLT	3/8"-16 X 1", GR5, FT
2	705533	2	FLAT WASHER	3/8"
3	704734	2	HEX FLANGE LOCKNUT	3/8"-16
4	6489231	2	SPACER	5/8" OD X 5/16"
5	700113054	1	HANDLE	
6	Z27342	1	HANDLE GRIP	
7	Z63883	1	CLEVIS PIN	1/2" X 3"
8	705541	4	FLAT WASHER	1/2"
9	Z62174	1	COTTER PIN	5/32" X 1"
10	700123832	1	BRAKE	
11	6524003	1	SPACER	19MM OD X 76M OL
12	703223	1	HEX HEAD BOLT	1/2"-13 X 4-1/2", GR5
13	704742	1	HEX FLANGE LOCKNUT	1/2"-13
14	766667	1	EYEBOLT	1/2"-13 X 10"
15	7704752	2	HEX NUT	1/2"-13
16	700113057	1	BRAKE PIN	1" DIA X 74MM OL

990N / 990S / 990R LARGE RECTANGULAR BALERS (EHB03101 - 9999)  
MOUNTING - FLYWHEEL



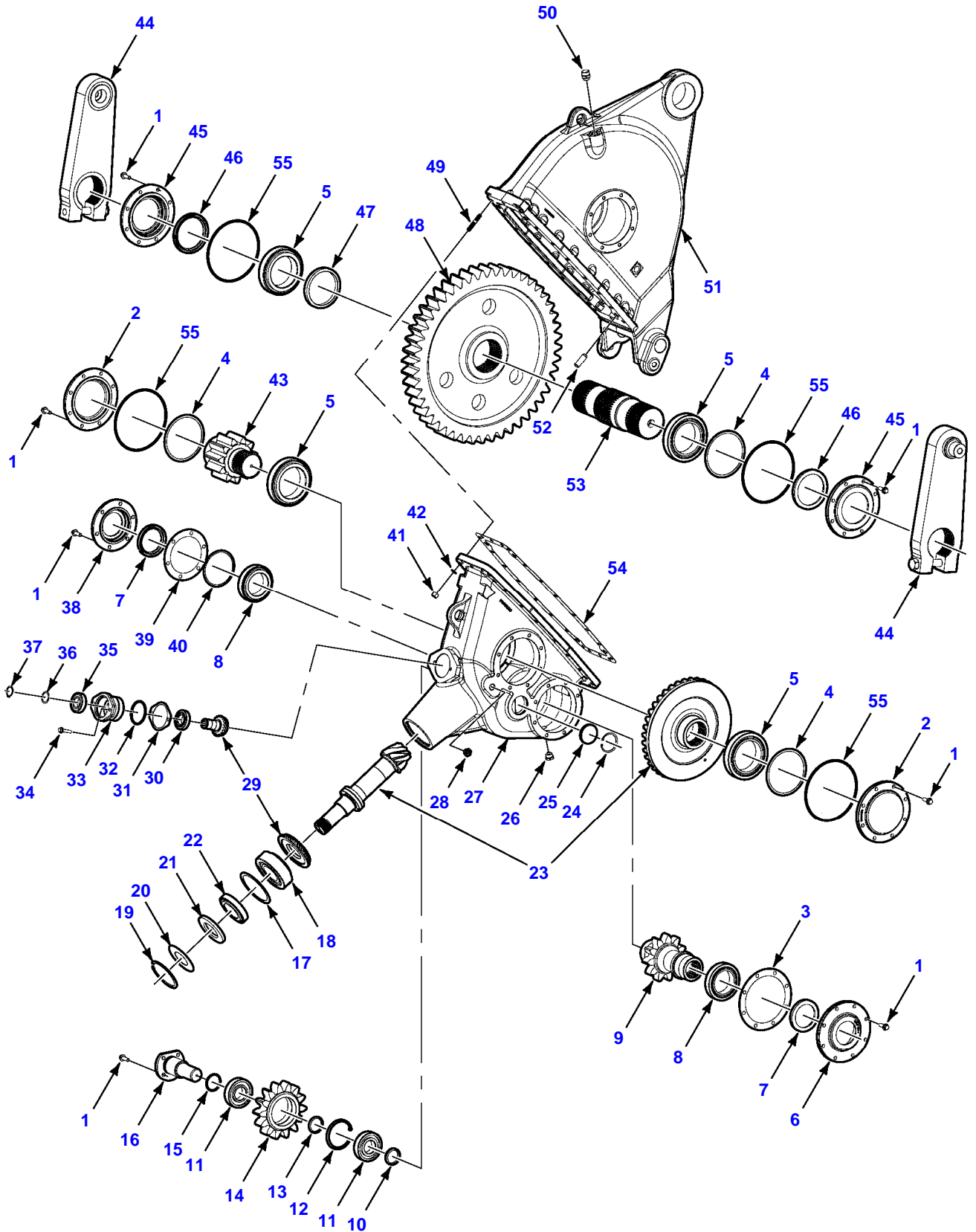
Item	Part Number	Qty	Description Comments	Technical Specification
1	7701899	1	HEX HEAD BOLT	3/8"-16 X 2-1/2", GR5
2	704734	1	HEX FLANGE LOCKNUT	3/8"-16
3	700710382	1	OIL SEAL	
4	714634	2	BEARING CONE	55MM ID X 23MM
5	Z77016	1	GREASE FITTING	1/4"-28
6	700123112	1	FLYWHEEL	
	714626	2	BEARING CUP	90MM OD
	6855555	1	SHEAR BUSHING	
7	6855555	1	SHEAR BUSHING	
8	714626	2	BEARING CUP	90MM OD
9	700706050	1	O-RING	4-1/4" ID
10	700710365	-	FLYWHEEL SHIM	0.08MM
11	700710366	-	FLYWHEEL SHIM	0.13MM
12	700710367	-	FLYWHEEL SHIM	0.25MM
13	700710369	-	FLYWHEEL SHIM	0.51MM
14	700143208	1	SHEAR HUB	
	700728938	1	PLUNGER SPRING	
15	700710394	-	FLYWHEEL HEX SHIM	0.08MM
16	700710395	-	FLYWHEEL HEX SHIM	0.13MM
17	700710396	-	FLYWHEEL HEX SHIM	0.25MM
18	700710397	-	FLYWHEEL HEX SHIM	0.51MM
19	700113045	1	LOCK TAB	
20	700708355	2	HEX HEAD BOLT	M16-2.0 X 40MM, CL10.9
21	700113044	1	RETAINER CAP	
22	71393718	1	TEMPERATURE SENSOR	1/2"-20, 2 PIN
23	7040330	1	O-RING	0.414" X .072"
24	700723442	1	GEARBOX	
			SEE PAGE 01-012	

990N / 990S / 990R LARGE RECTANGULAR BALERS (EHB03101 - 9999)  
MOUNTING - GEARBOX



Item	Part Number	Qty	Description Comments	Technical Specification
1	3009256X1	3	HEX HEAD BOLT	M20 X 60MM, CL10.9, FT
2	700146842	2	GEARBOX PIN	
3	700123119	2	BEARING SPACER	
4	852608	-	MACHINERY BUSHING	7/8" X 1-3/4" X 14GA
5	700730827	2	MACHINERY BUSHING	7/8" X 1-3/4" X 18GA
6	700123120	2	CRANK ARM BEARING	
	8744054	2	DUST SEAL	
	8052326	2	RETAINING RING	101MM OD
	8051005	1	SPHERICAL BEARING	55MM X 100MM
7	700123122	1	FLAT WASHER	
8	703660	1	HEX HEAD BOLT	3/4"-10 X 5", GR5
9	705566	1	FLAT WASHER	3/4"
10	700710072	1	HEX LOCKNUT	3/4"-10, GRC
11	Z77016	2	GREASE FITTING	1/4"-28
12	8744054	2	DUST SEAL	
13	8052326	2	RETAINING RING	101MM OD
14	8051005	1	SPHERICAL BEARING	55MM X 100MM
15	700141086	1	ECCENTRIC BUSHING	
16	3019128X1	1	HEX FLANGE NUT	M20 X 2.5 X 20MM, CL10
17	700146152	1	GEARBOX PIN	
18	700711166	4	FLAT WASHER	3/4"

990N / 990S / 990R LARGE RECTANGULAR BALERS (EHB03101 - 9999)  
GEARBOX ASSEMBLY





**Suggest:**

**For more complete manuals. Please go to the home page.**

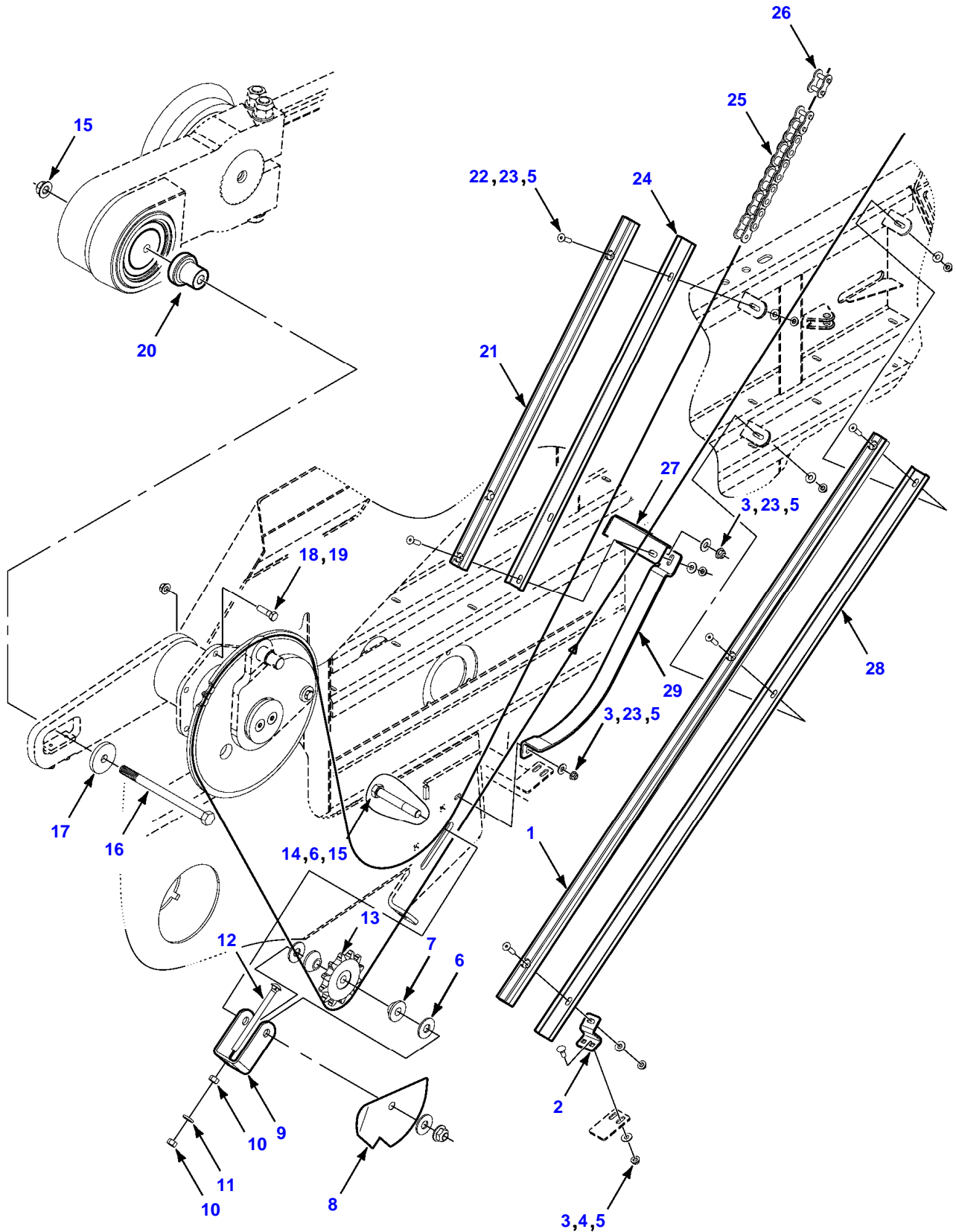
**<https://www.ebooklibonline.com>**

**If the above button click is invalid. Please download this document first, and then click the above link to download the complete manual.**

**Thank you so much for reading**

Item	Part Number	Qty	Description Comments	Technical Specification
	700723442	1	GEARBOX	
1	3009221X1	50	HEX FLANGE HEAD BOLT	M12 X 1.75 X 35MM, CL10.9, ZN
2	700734708	2	END CAP	
3	700730873	1	ENDCAP SEAL	
4	700730891	3	SHIM KIT	
5	700730934	4	BEARING SET	
6	700730930	1	END CAP	
7	700730909	2	OIL SEAL	90 X 120 X 13MM
8	700730900	2	BEARING SET	90MM ID X 140MM OD
9	700730923	1	SECONDARY OUTPUT SHAFT	
10	700730877	1	BEARING SPACER	50 X 62 X 8MM
11	700730898	2	CYLINDRICAL BEARING	50 X 110 X 27MM
12	700730886	1	RETAINING RING	114MM OD
13	700730876	1	BEARING SPACER	50 X 62 X 4MM
14	700730867	1	IDLER SHAFT GEAR	
15	700730910	1	O-RING	2.313" ID X .139"
16	700730870	1	END CAP	
17	700730943	1	SHIM KIT	
18	700730936	1	BEARING SET	
19	700730932	1	RETAINING RING	129MM
20	700730926	1	SEALING PLATE	
21	700730939	1	OIL SEAL	
22	700730935	1	BEARING SET	
23	700730940	1	BEVEL GEAR, PINION SHAFT MATCHED SET	
24	700730884	1	RETAINING RING	75MM
25	700730913	1	CAP	
26	700730914	1	MAGNETIC OIL PLUG	M24-2
27	700730921	1	GEARBOX HOUSING	
28	700730915	1	OIL PLUG	
29	700730941	1	GEAR SET	
30	700730902	1	BEARING SET	35MM ID X 72MM OD
31	700730889	1	SEAL KIT	
32	700730912	1	O-RING	3.109" ID X .139"
33	700730863	1	HYDRAULIC PUMP SUPPORT	
34	3009210X1	2	HEX FLANGE HEAD BOLT	M10 X 1.5 X 45MM, CL10.9, ZN
35	700730897	1	SPHERICAL BEARING	30 X 72 X 17MM
36	700730888	1	SHIM KIT	
37	700730883	1	RETAINING RING	33MM ID
38	700730860	1	END CAP	
39	700730872	1	OUTPUT SHAFT END COVER GASKET	
40	700730890	1	SHIM KIT	
41	3008628X1	18	HEX NUT	M14, CL12
42	339704X1	18	WASHER	
43	700730922	1	INTERMEDIATE SHAFT	
44	700730942	2	CRANK ARM ASSEMBLY	
	71430784	1	HEX HEAD BOLT	M27 X 170MM X 2, CL12.9
	71430785	1	FLAT WASHER	S27
45	700734706	2	CAP	
46	700730938	2	OIL SEAL	
47	700730927	1	SPACER, RIGHT HAND	
48	700730924	1	PRIMARY OUTPUT GEAR	
49	700730931	18	GEARBOX HOUSING STUD	
50	700730916	1	VENT PLUG	M24-2
51	700730920	1	GEARBOX HOUSING	
52	700730896	4	SPLIT PIN	20MM X 60MM
53	700730925	1	PRIMARY OUTPUT SHAFT	
54	700730933	1	SEAL KIT	
55	3007086X1	4	O-RING	197MM ID X 3MM

990N / 990S / 990R LARGE RECTANGULAR BALERS (EHB03101 - 9999)  
AUXILIARY DRIVE - LEFT HAND



**<https://www.ebooklibonline.com>**

Hello dear friend!

Thank you very much for reading.

Enter the link into your browser.

The full manual is available for immediate download.

**<https://www.ebooklibonline.com>**