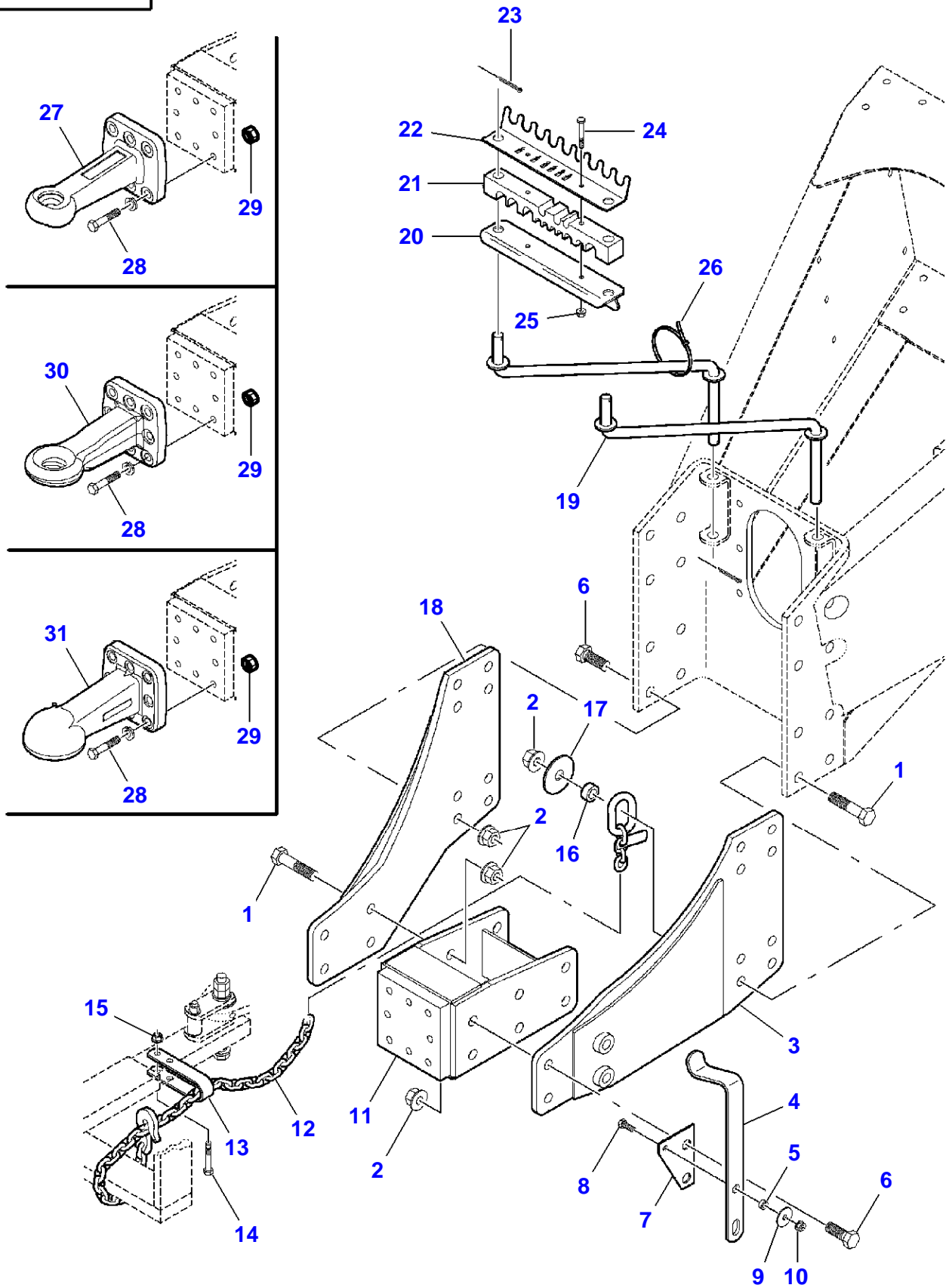


Page Title	Page Number
Linkage - Hitch Safety Chain	010-0005
Transmission	010-0010
Transmission	010-0015
Transmission - Type 2 1-3/8 X 21 Splines - Auto lock	010-0020
Transmission - Type 3 1-3/4 X 20 Splines - Auto Lock	010-0025
Transmission	010-0030
Transmission	010-0035
Transmission - Flywheel	010-0040
Transmission - Flywheel	010-0045
Gearbox	010-0050
Gearbox	010-0055
Gearbox	010-0060
Gearbox	010-0065
Chain Drive - Left Side	010-0070
Chain Drive - Right Side	010-0075
Chain Drive	010-0080
Chain Drive - Clutch	010-0085
Needle	010-0090
Cutter Drive Assembly - Left	010-0095
Clutch - With Cutter	010-0100
Cutter Gearbox Assembly	010-0105

5-BA03-003-A



Linkage - Hitch Safety Chain

Item	Part Number	Qty	Description	Comments
1	W907183-4	5	Bolt	3/4"-10 X 3-1/4
2	700703923	16	Locknut	3/4"-10
3	700139426P	1	Tongue	Left Hand
4	700139456	1	Strap	
5	70336568	1	Spacer	
6	700721715	11	Screw	3/4"-10 X 2
7	700139457	1	Plate	
8	353691X1	1	Bolt Unc	3/8"-16 X 1
9	700710049	1	Washer	3/8"
10	700711238	1	Locknut	3/8"-16
11	700139422P	1	Hitch	
12	700720132	1	Chain	
13	700113646B	1	Clevis	
14	354294X1	1	Bolt Unc	5/8"-11 X 3-3/4
15	700711198	1	Locknut	5/8"-11
16	700139417B	1	Bush	
17	6579106P	1	Cap	
18	700139427P	1	Tongue	Right Hand
19	700139447	2	Rod	
20	700139434	1	Plate	
21	700139455	1	Block	
22	700139433	1	Plate	
23	354061X1	4	Pin	1/8" X 1-1/4
24	354613X1	2	Bolt Unc	5/16"-18 X 2-1/4
25	Y704726	2	Locknut	5/16"-18
26	70937133	2	Tie	
27	700721591	1	Coupling	
	DK41143	1	Kit	40 mm
28	7703879	22	Capscrew	M16 X 60
29	700708348	22	Locknut	M16
30	700723357	1	Kit	
	DK41144	1	Kit	50 mm
31	700721590	1	Coupling	
	DK41145	1	Kit	

<https://www.ebooklibonline.com>

Hello dear friend!

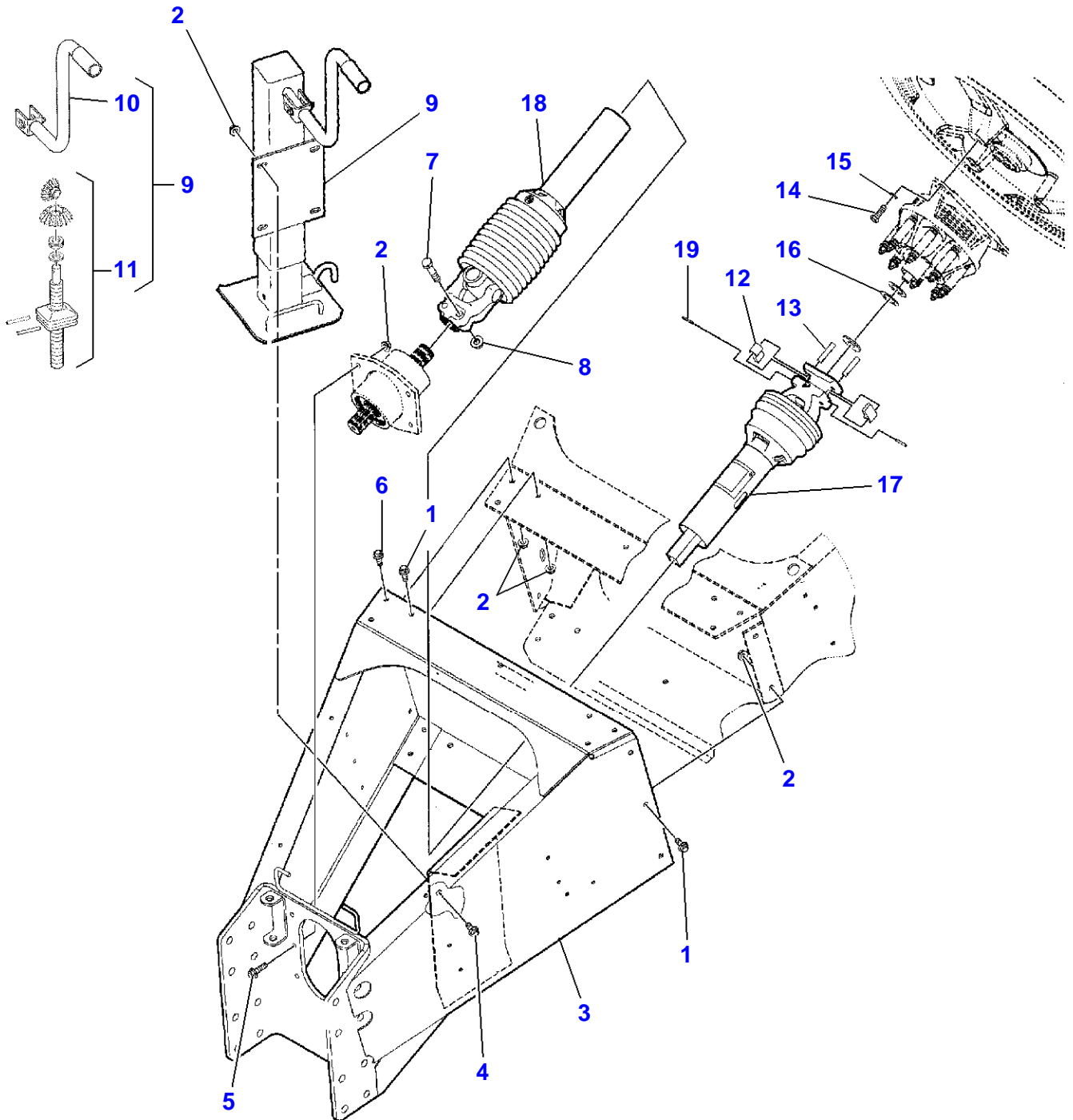
Thank you very much for reading.

Enter the link into your browser.

The full manual is available for immediate download.

<https://www.ebooklibonline.com>

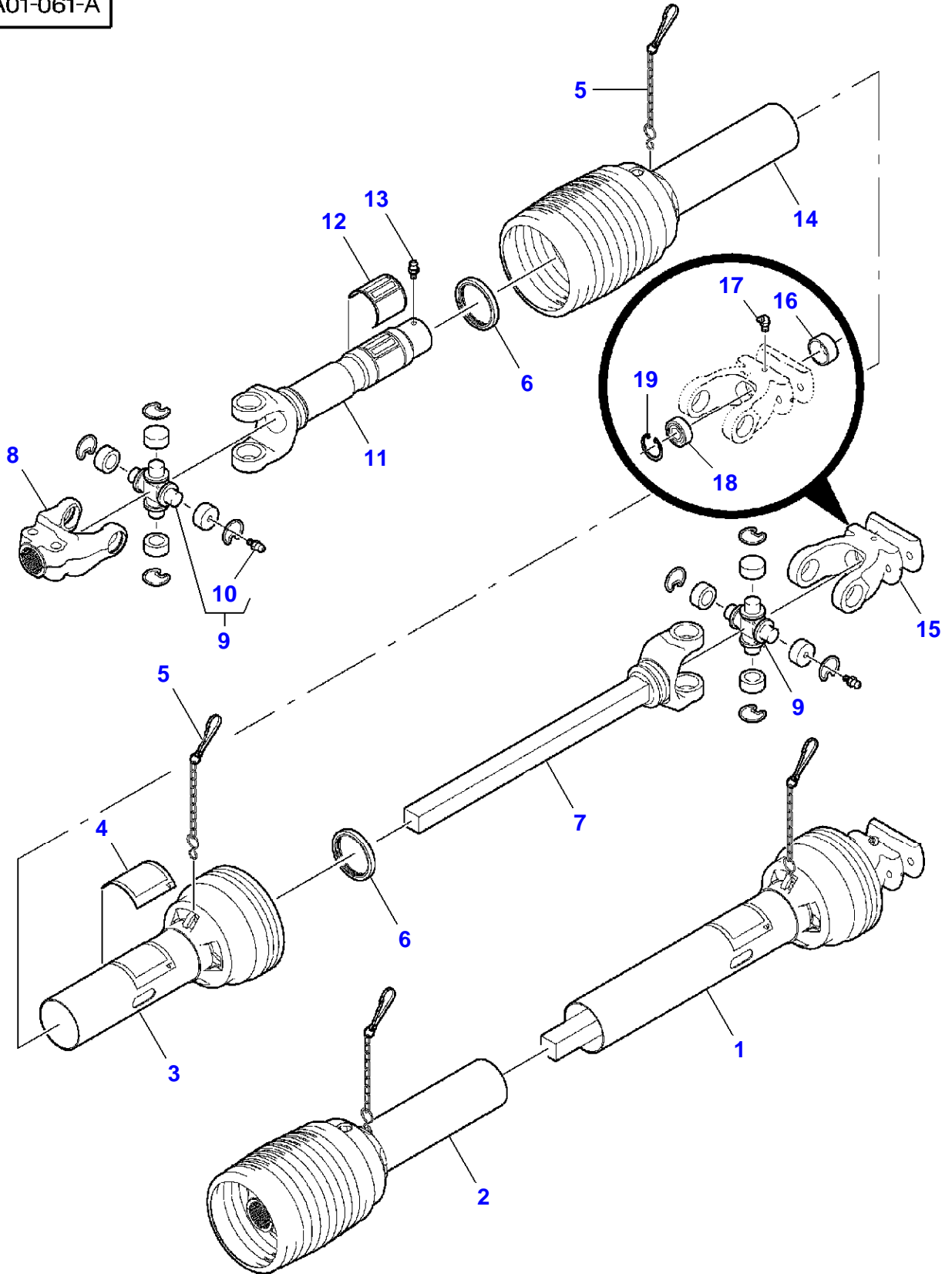
5-BA01-049-A



Transmission

Item	Part Number	Qty	Description	Comments
1	700710984	12	Screw	1/2"-13 X 1-1/4
2	Y704742	28	Locknut	1/2"-13
3	700139411P	1	Tongue	
4	70934980	4	Screw	1/2"-13 X 1-1/4
5	7883432	4	Screw	1/2"-13 X 1-3/4
6	8701237	8	Screw	1/2"-13 X 1-1/2
7	70921576	2	Capscrew	5/8"-11 X 3
8	700711198	2	Locknut	5/8"-11
9	700720231	1	Jack	
10	700720181	1	Handle	(9)
11	700720180	1	Kit, Hardware	(9)
12	700113036	2	Pawl	
13	700113037	2	Pin	
14	70923154	3	Capscrew	1/2"-13 X 1-1/2
15	353439X1	3	Lock Washer	1/2"
16	6522932	2	Shim	
17	700723386	1	Pto Shaft	
18	700723396	1	Pto Guard	
19	70915751	2	Pin	3/16" X 1-1/2

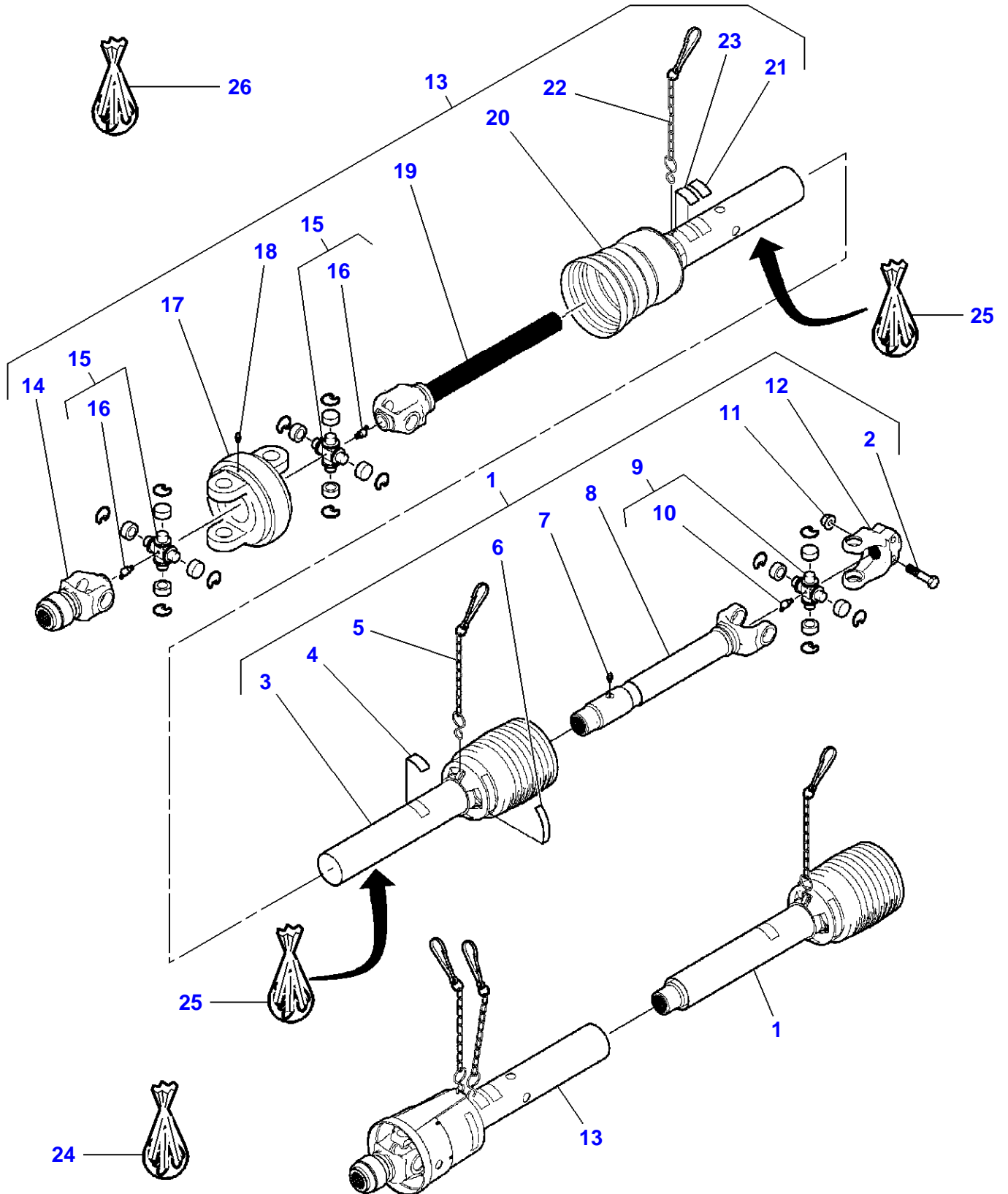
5-BA01-061-A



Transmission

Item	Part Number	Qty	Description	Comments
1	700723386	1	Pto Shaft	
2	700723396	1	Pto Guard	
3	700723385	1	Guard	
4	700707960	1	Decal	
5	700720152	2	Kit, Chain	
6	700721790	2	Kit, Repair	
7	700723384	1	Pto Shaft	
8	700721794	1	Yoke	
9	700723394	2	Kit	
10	70914687	1	Greaser	(9) 1/4"-28
11	700721793	1	Yoke	
12	210371	1	Decal	
13	70923219	1	Greaser	1/4"-28
14	700721792	1	Guard	
15	700706955	1	Yoke	
16	700706956	1	Bearing	(15)
17	13223X	1	Nipple	(15) 1/8"-27 X 65?
18	1124697	1	Bearing	(15)
19	70927699	1	Snapping	(15)

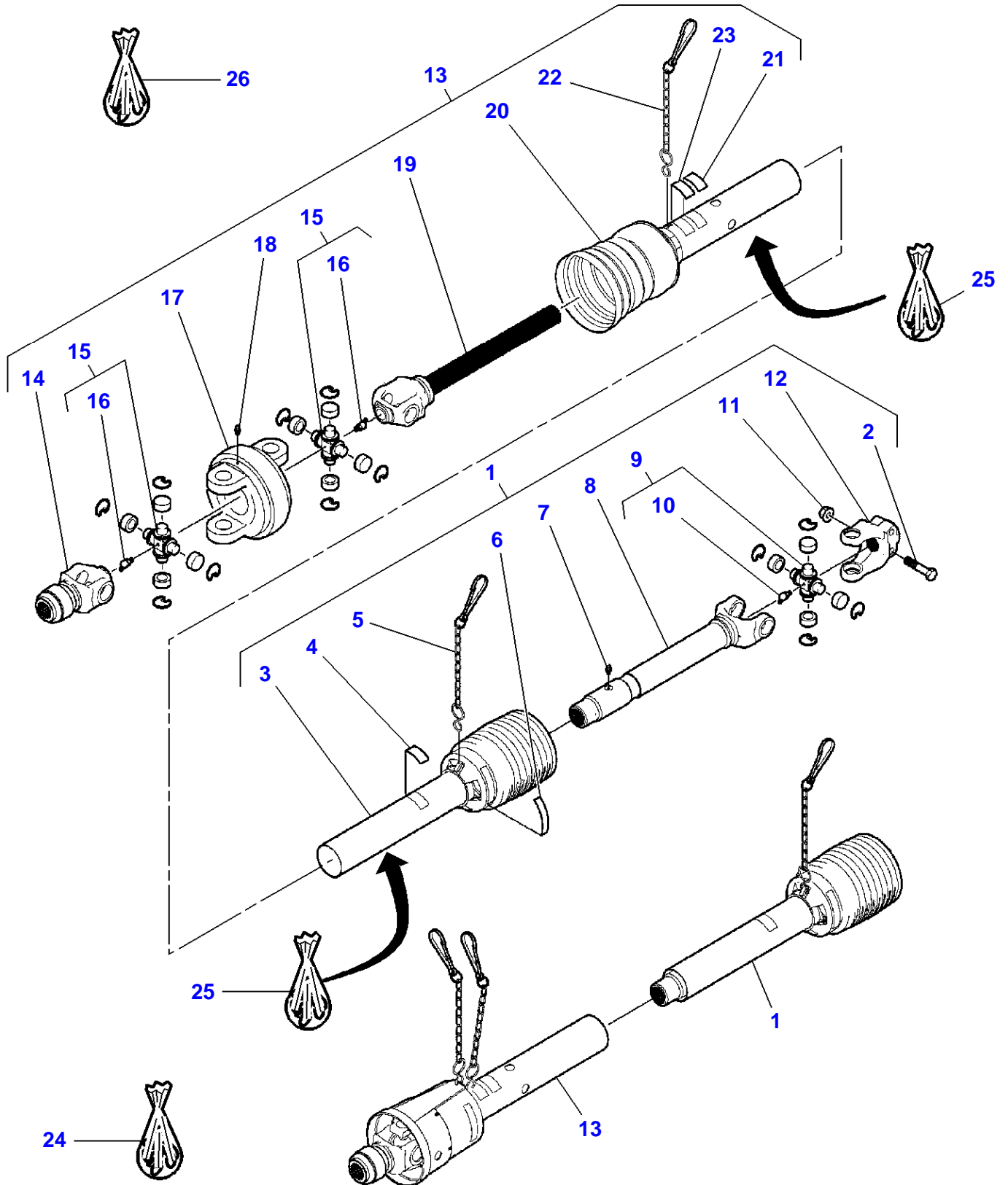
5-BA01-059-B



Item	Part Number	Qty	Description	Comments
	DK41103	1	Kit, Attachment	
1	700723264	1	Shaft	
2	70921576	1	Capscrew	(1) 5/8"-11 X 3
3	700723226	1	Guard	(1)
4	210371	1	Decal	(1)
5	700720152	1	Kit, Chain	(1)
6	700715035	1	Decal	(1)
7	70923219	1	Greaser	(1) 1/4"-28
8	700721778	1	Yoke	(1)
9	7815053	1	Kit, Repair	(1)
10	13223X	1	Nipple	(9) 1/8"-27 X 65
11	700711198	1	Locknut	(1) 5/8"-11
12	700721794	1	Yoke	(1)
13	700723265	1	Shaft	
14	700721797	1	Yoke	(13)
15	700712574	2	Kit	(13)
16	13223X	1	Nipple	(15) 1/8"-27 X 65
17	700723271	1	Housing	(13)
18	70923219	1	Greaser	(13) 1/4"-28
19	700721799	1	Shaft	(13)
20	700723267	1	Guard	(13)
21	700721801	1	Guard	(13)
22	700720152	2	Kit, Chain	(13)
23	700707960	1	Decal	(13)
24	700723269	1	Kit, Guard	
25	700723268	2	Kit, Repair	NYLON
26	700720122	1	Kit, Repair	AUTO-LOCK

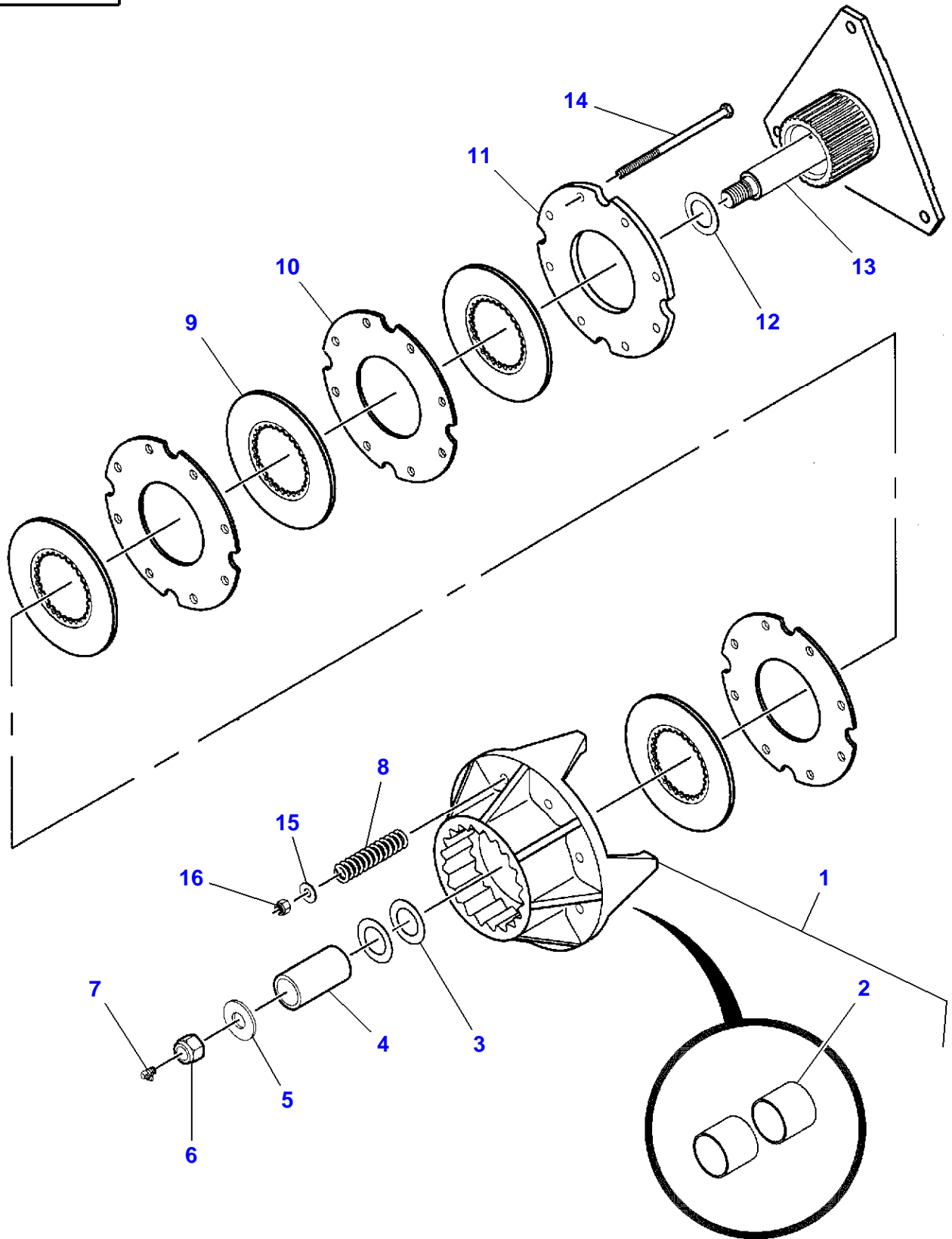
FOOTNOTE [A] NOT ILLUSTRATED

5-BA01-060-B



Item	Part Number	Qty	Description	Comments
	DK41104	1	Kit, Attachment	
1	700723264	1	Shaft	
2	70921576	1	Capscrew	(1) 5/8"-11 X 3
3	700723226	1	Guard	(1)
4	210371	1	Decal	(1)
5	700720152	1	Kit, Chain	(1)
6	700715035	1	Decal	(1)
7	70923219	1	Greaser	(1) 1/4"-28
8	700721778	1	Yoke	(1)
9	7815053	1	Kit, Repair	(1)
10	13223X	1	Nipple	(9) 1/8"-27 X 65
11	700711198	1	Locknut	(1) 5/8"-11
12	700721794	1	Yoke	(1)
13	700721780	1	Shaft	
14	700720203	1	Yoke	(13)
15	700712574	2	Kit	(13)
16	13223X	1	Nipple	(15) 1/8"-27 X 65
17	700723271	1	Housing	(13)
18	70923219	1	Greaser	(13) 1/4"-28
19	700721799	1	Shaft	(13)
20	700723267	1	Guard	(13)
21	700721801	1	Guard	(13)
22	700720152	2	Kit, Chain	(13)
23	700707960	1	Decal	(13)
24	700723269	1	Kit, Guard	
25	700723268	1	Kit, Repair	NYLON
26	700711425	1	Kit	AUTO-LOCK

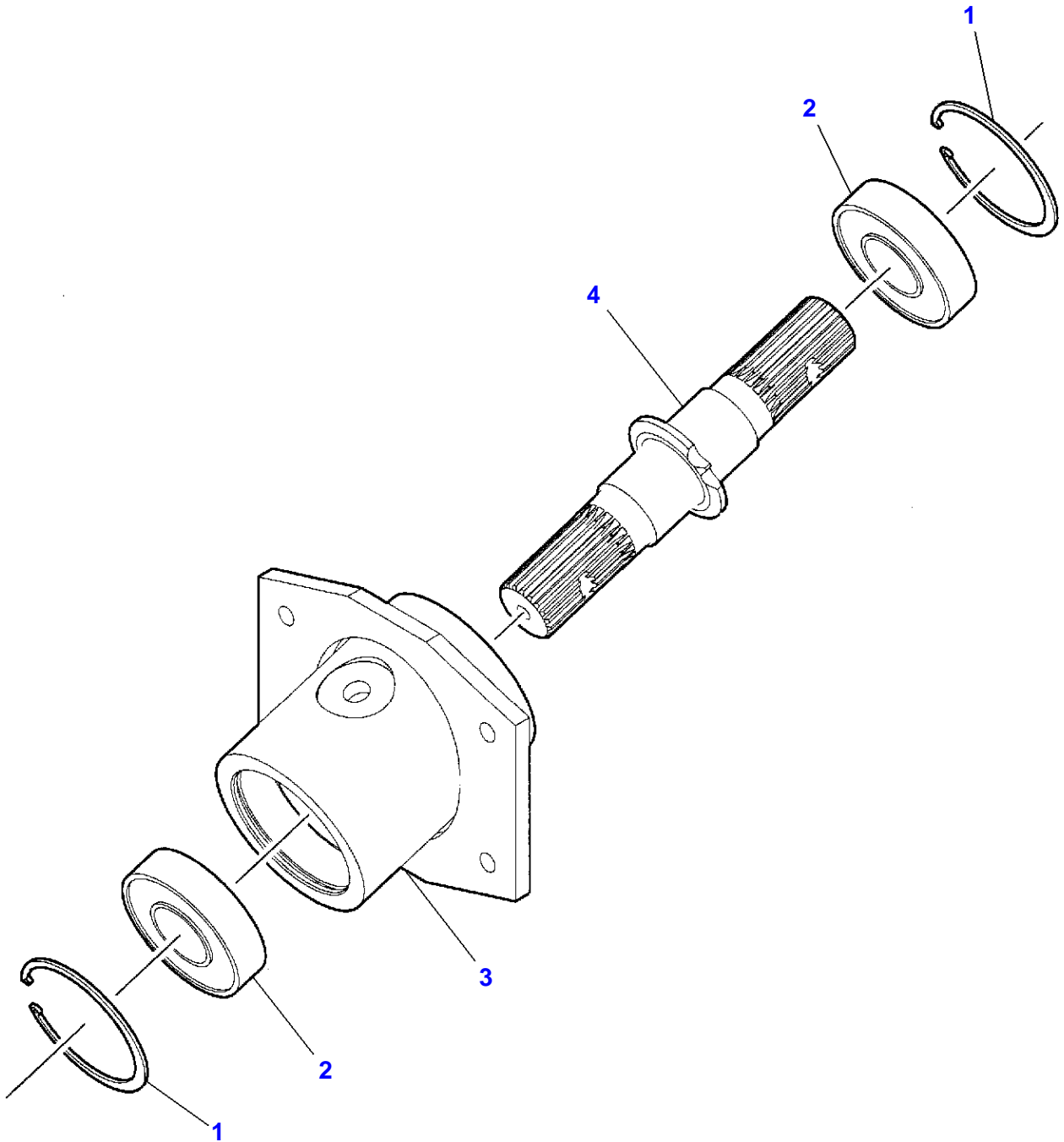
5-BA01-052-A



Transmission

Item	Part Number	Qty	Description	Comments
1	700163297P	1	Housing	
2	7852114	2	Bush	(1)
3	6522932	2	Shim	
4	6350805P	1	Tube	Right Hand
5			Not Used	
6	70930764	1	Nut	7/8"-14
7	70915276	1	Nipple	1/8"-27 X 90
8	858019	8	Comp.Spring	
9	700108820	4	Disc	
10	700112903P	3	Plate	
11	6522866P	1	Plate	
12	Y52274	1	Bush	1"-3/8 X 14
13	700163293P	1	Shaft	
14	700707998	8	Capscrew	3/8"-16 X 7
15	355619X1	8	Washer	3/8"
16	366573X1	8	Locknut	3/8"-16

5-BA01-051-A



Fendt

990 SQUARE BALER - --->| HT 73100 - 3906011

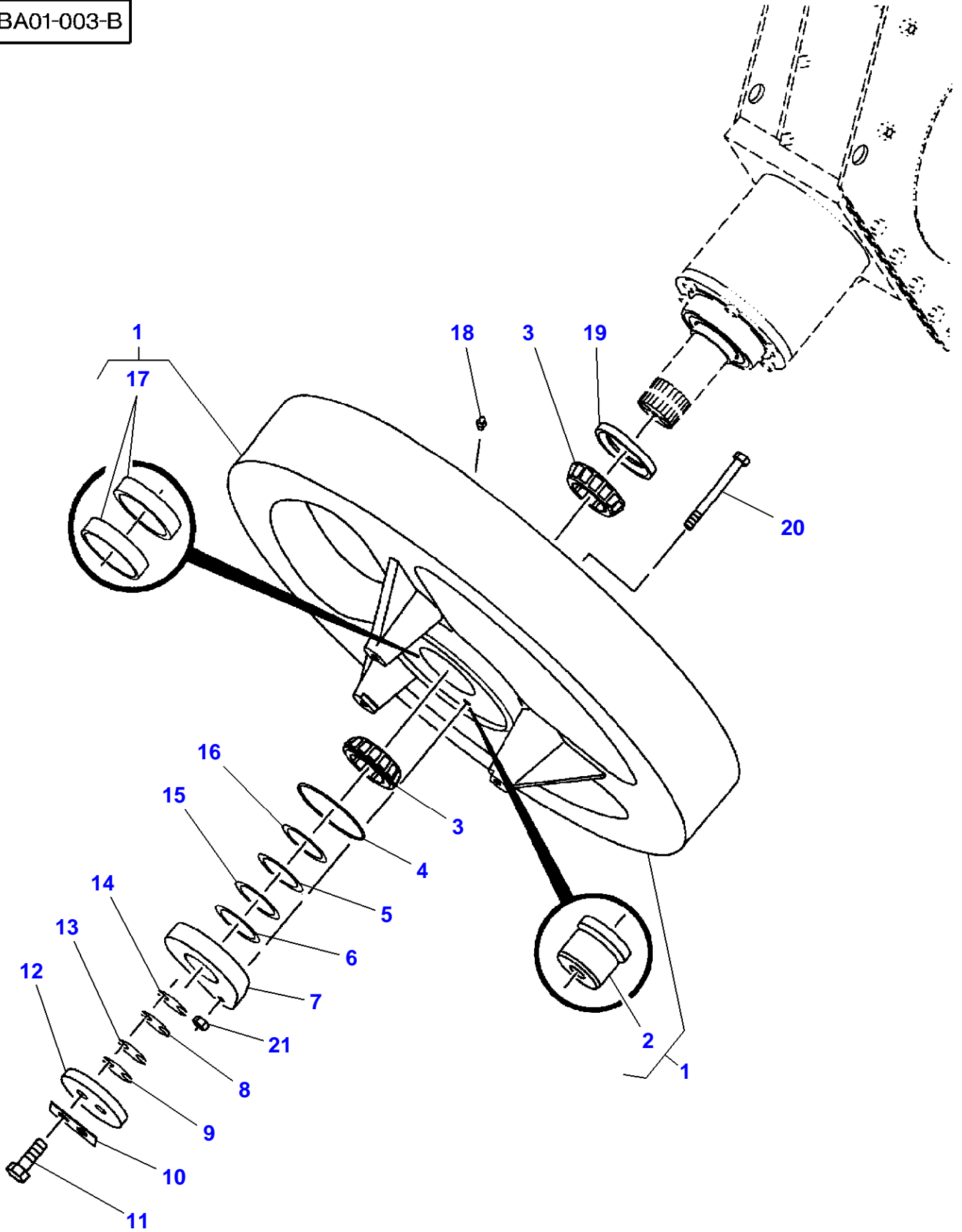
3906011

Transmission

Page010-0035

Item	Part Number	Qty	Description
1	355994X1	2	Ring
2	391069X1	2	Bear. 6309 2rs
3	700139437P	1	Support
4	700139441	1	Shaft

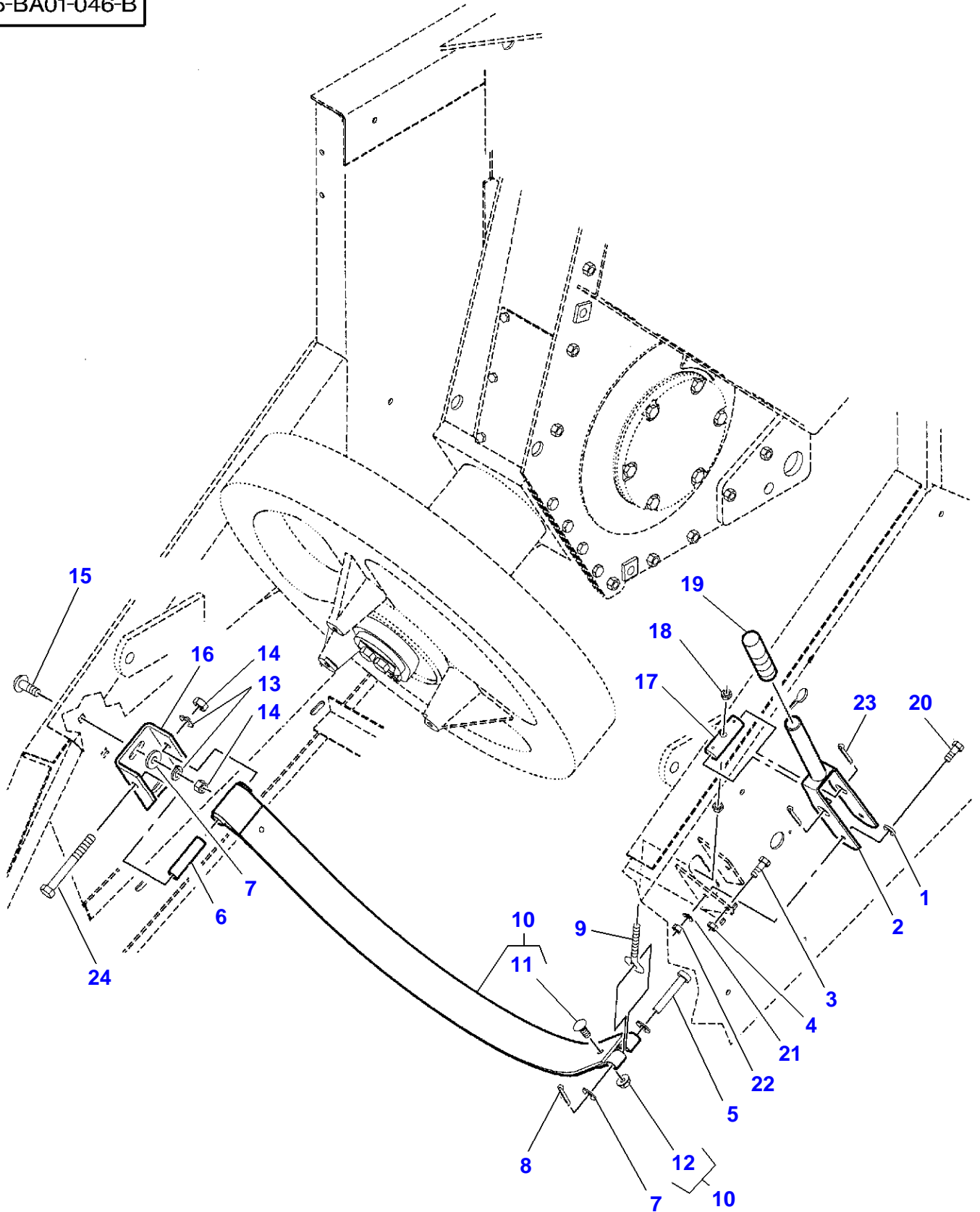
5-BA01-003-B



Transmission - Flywheel

Item	Part Number	Qty	Description	Comments
1	700123112	1	Flywheel	
2	6855555P	1	Sleeve	(1)
3	834828M1	2	Cone	
4	700706050	1	O Ring	
5	700710365	1	Shim	Thickness 0.08/.003
6	700710366	1	Shim	Thickness 0.13/.005
7	700123118P	1	Hub	
8	700710394	1	Shim	Thickness 0.08/.003
9	700710395	1	Shim	Thickness 0.13/.005
10	700113045P	1	Locking Plate	
11	700708355	2	Capscrew	M16 X 40
12	700113044P	1	Cap	
13	700710396	1	Shim	Thickness 0.25/.010
14	700710397	2	Shim	Thickness 0.51/.020
15	700710367	1	Shim	Thickness 0.25/.010
16	700710369	2	Shim	Thickness 0.51/.020
17	834829M1	2	Cup	(1)
18	70923219	1	Greaser	1/4"-28
19	700710382	1	Seal	
20	70921972	1	Capscrew	3/8"-16 X 2-1/2
21	Y704734	1	Locknut	3/8"-16

5-BA01-046-B





Suggest:

For more complete manuals. Please go to the home page.

<https://www.ebooklibonline.com>

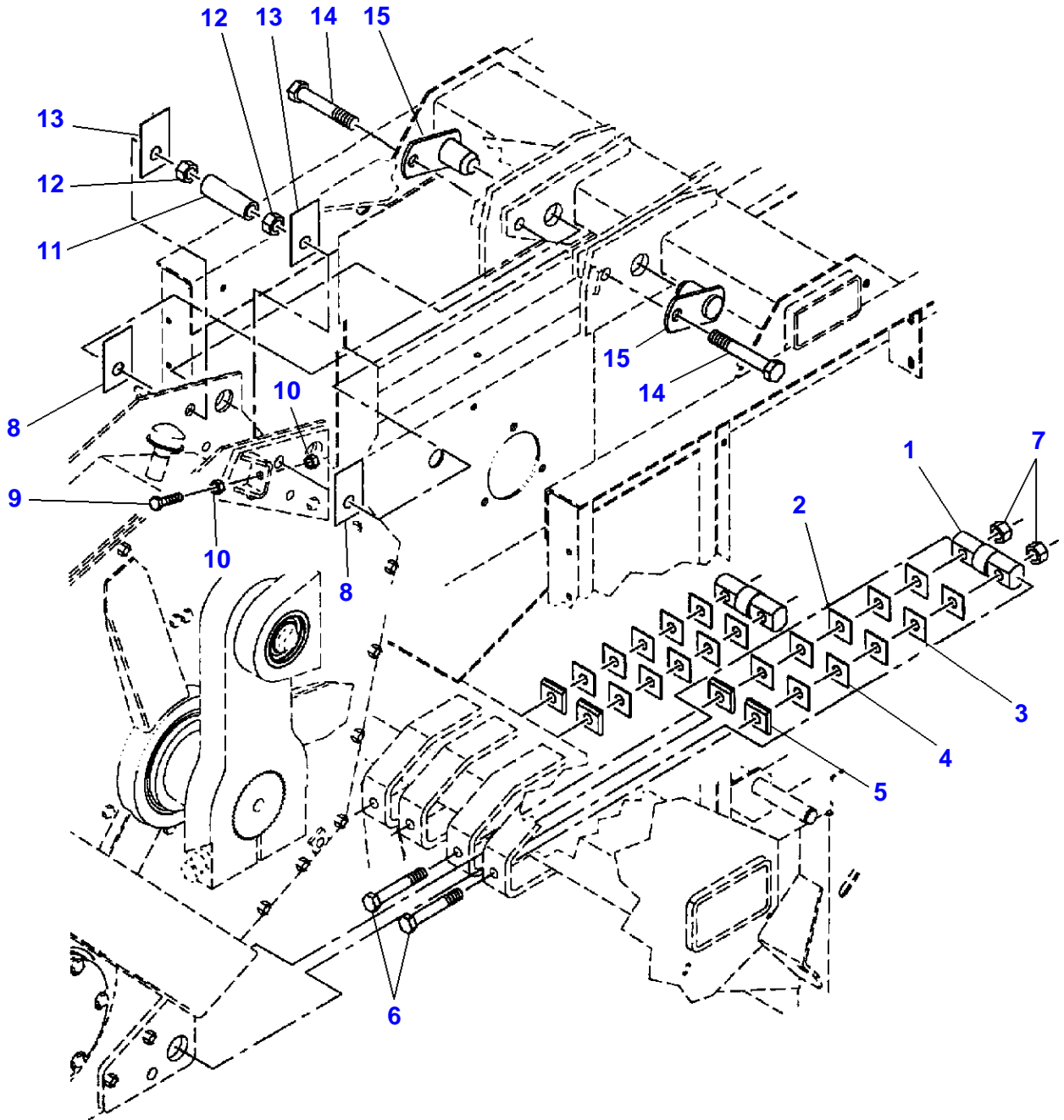
If the above button click is invalid. Please download this document first, and then click the above link to download the complete manual.

Thank you so much for reading

Transmission - Flywheel

Item	Part Number	Qty	Description	Comments
1	6489231	2	Spacer	
2	700113054P	1	Handle	
3	70920787	1	Capscrew	5/16"-18 X 1/2
4	70931277	3	Nut	5/16"-18
5	63883	1	Clevis Pin	1/2" X 3
6	6524003P	1	Spacer	
7	705541	4	Washer	1/2"
8	70918455	1	Pin	5/32" X 1
9	766667	1	Eye Bolt	1/2"-13 X 10
10	700123832B	1	Brake	
11	700701069	2	Screw	(10) 5/16" X 3/4
12	70931277	2	Nut	(10) 5/16"-18
13			Not Used	
14	700714586	3	Nut	1/2"-13
15	68619	2	Bolt	1/2"-13 X 1-1/4
16	700123838P	1	Channel	Right Hand
17	700113057P	1	Pin	
18	7704752	2	Nut	1/2"-13
19	27342	1	Grip	
20	7883382	2	Screw	3/8"-16 X 1
21			Not Used	
22	Y704734	2	Locknut	3/8"-16
23	932036	2	Pin	3/16" X 1-1/2
24	70923161	1	Capscrew	1/2"-13 X 4-1/2

5-BA19-001-A



<https://www.ebooklibonline.com>

Hello dear friend!

Thank you very much for reading.

Enter the link into your browser.

The full manual is available for immediate download.

<https://www.ebooklibonline.com>