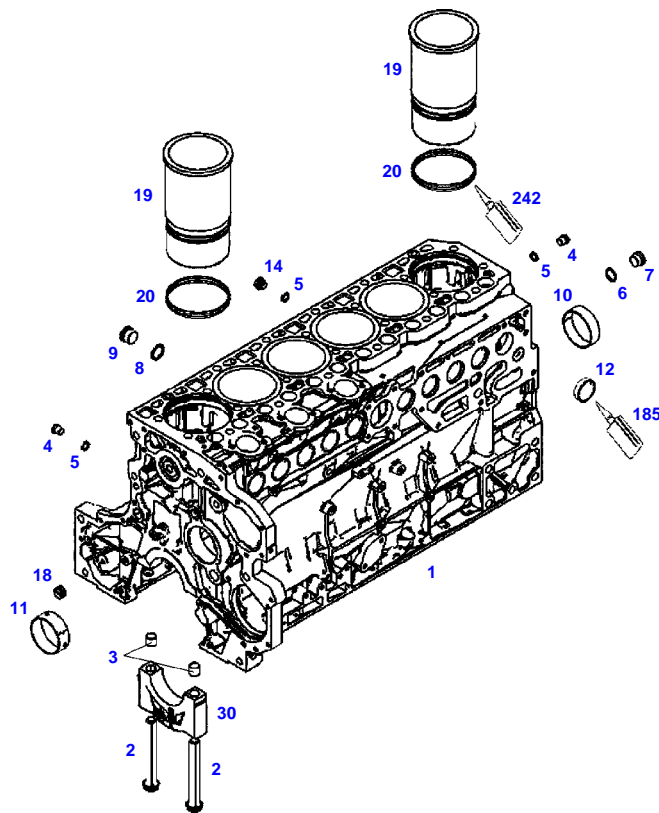


TABLE OF CONTENT

Page Number	Page Title	Page Reference
01-000-TOC	ENGINE, FUEL AND EXHAUST SYSTEM	01-000-TOC
02-000-TOC	AXLES	02-000-TOC
03-000-TOC	STEERING SYSTEM	03-000-TOC
04-000-TOC	DRIVE TRAIN SYSTEM	04-000-TOC
05-000-TOC	COMPRESSED AIR SYSTEM	05-000-TOC
06-000-TOC	HYDRAULIC SYSTEM	06-000-TOC
07-000-TOC	ELECTRICAL SYSTEM	07-000-TOC
08-000-TOC	CAB	08-000-TOC
09-000-TOC	AIR CONDITIONING AND HEATING SYSTEM	09-000-TOC
10-000-TOC	CHASSIS	10-000-TOC
11-000-TOC	WHEELS	11-000-TOC
12-000-TOC	IMPLEMENT LIFT SYSTEM FRONT	12-000-TOC
13-000-TOC	IMPLEMENT LIFT SYSTEM REAR	13-000-TOC
14-000-TOC	LINKAGE	14-000-TOC
15-000-TOC	PRECISION FARMING SYSTEMS	15-000-TOC
16-000-TOC	ACCESSORIES	16-000-TOC



050908

Item	Part Number	Qty	Description Comments	Technical Specification
			UP TO ENGINE S/N 12034362	
	E953200011100	1	ENGINE	TTCD7.8L6
1	F954200210010	1	CRANKCASE ><2-30	
2	F934201210020	14	SCREW	
3	F934201210030	14	ADAPTER BUSH	
4	X483800800000	2	PLUG SCREW	DIN 908 M14X1,5-ST
5	F731200060160	3	SEALING WASHER	DIN7603-14X18-CU-VERZ
6	F731200210190	1	SEALING WASHER	
7	X483802400000	1	PLUG	DIN 908 M22X1,5-ST
8	F946201210010	1	SEALING WASHER	26X31
9	X483803200000	1	PLUG SCREW	DIN 908 - M26 X 1,5 - ST
10	F934201210050	6	BEARING BUSHING	
11	F954200210020	1	FEMALE BEARING	
12	F119200210070	10	CORE HOLE PLUG	
14	X494203800000	1	PLUG	DIN 7604 AM14X1,5-A3L
18	F001200210030	1	LOCKING PLUG	
19	F954200210030	6	CYLINDER LINER	
20	F004200210110	2	SEAL	
30			NOT AVAILABLE IN SINGLE PARTS	
185	F119200210850	1	SAFE.LOCK AGENT	
242	F119200040090	1	INSTALLATION AIDS	

<https://www.ebooklibonline.com>

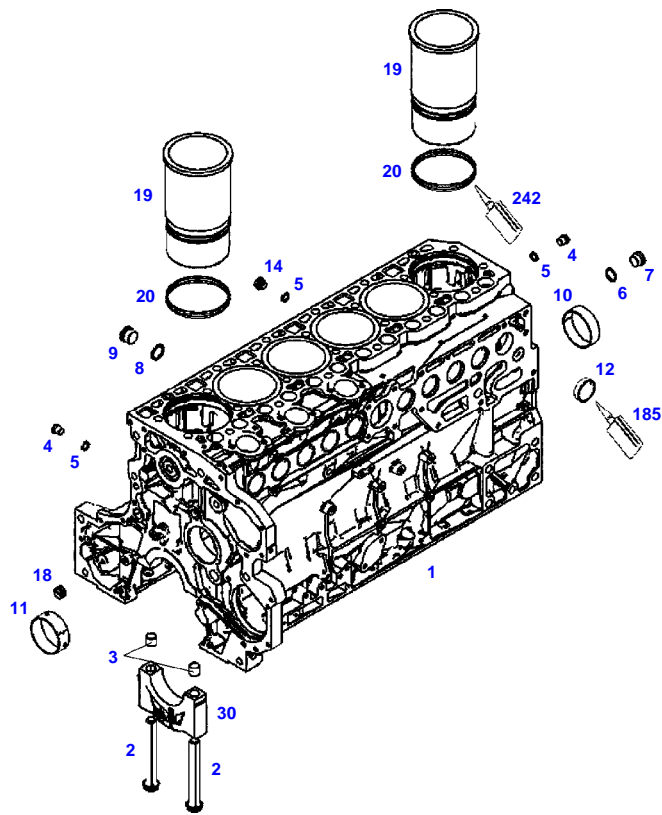
Hello dear friend!

Thank you very much for reading.

Enter the link into your browser.

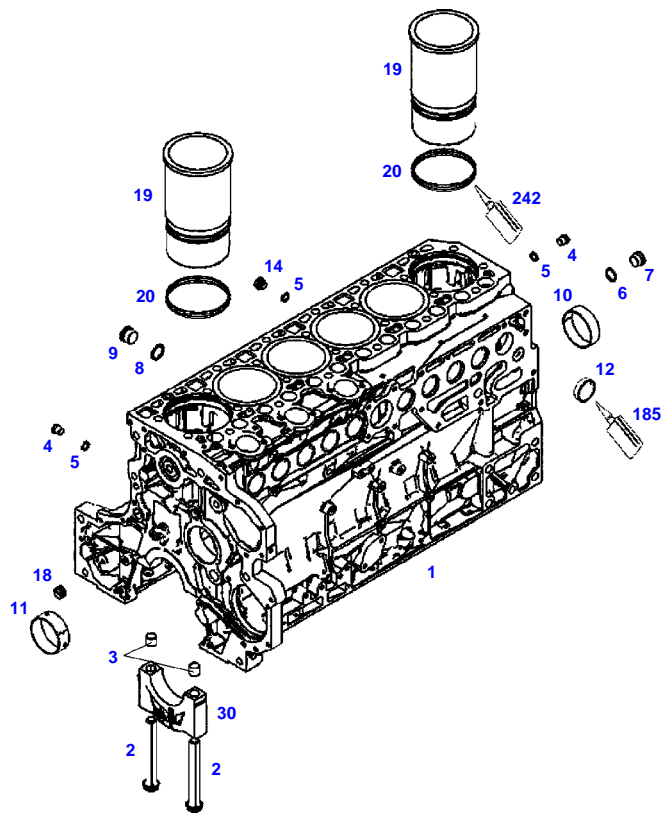
The full manual is available for immediate download.

<https://www.ebooklibonline.com>



050908

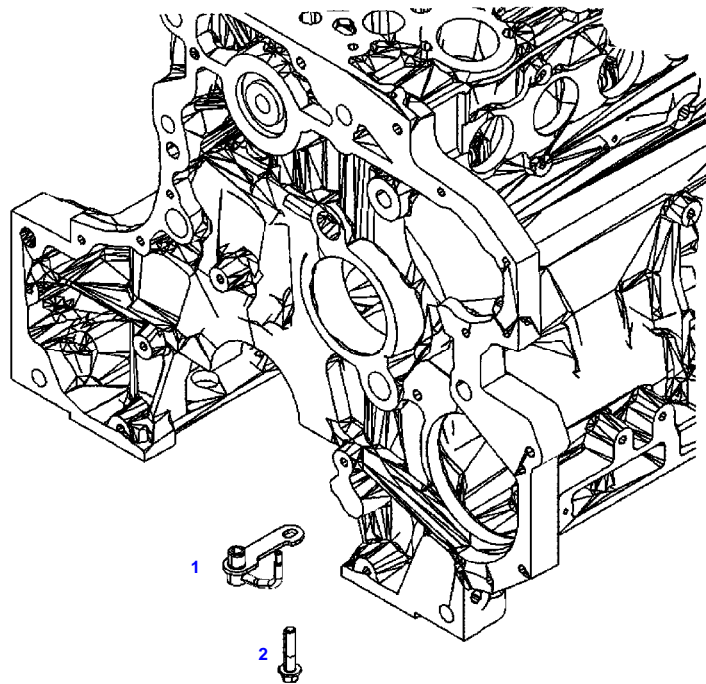
Item	Part Number	Qty	Description Comments	Technical Specification
			FROM - UP TO ENGINE S/N 12034363 - 12315126	
	E953200011011	1	ENGINE	TTCD7.8L6
1	F954200210360	1	CRANKCASE ><2-30	
2	F934201210020	14	SCREW	
3	F934201210030	14	ADAPTER BUSH	
4	F954200210390	2	PLUG SCREW	
5	F731200060160	3	SEALING WASHER	DIN7603-14X18-CU-VERZ
6	F731200210190	1	SEALING WASHER	
7	F954200210400	1	PLUG SCREW	DIN908-M22X1,5
8	F946201210010	1	SEALING WASHER	26X31
9	F438200510020	1	PLUG SCREW	
10	F934201210050	6	BEARING BUSHING	
11	F954200210020	1	FEMALE BEARING	
12	F119200210070	10	CORE HOLE PLUG	
14	F954200210410	1	PLUG SCREW	
18	F001200210030	1	LOCKING PLUG	
19	F954200210350	6	CYLINDER LINER	
20	F004200210110	12	SEAL	
30				
			NOT AVAILABLE IN SINGLE PARTS	
185	F716201210220	1	SAFE.LOCK AGENT	
242	F119200040090	1	INSTALLATION AIDS	



050908

CRANKCASE

Item	Part Number	Qty	Description Comments	Technical Specification
			FROM ENGINE S/N 12315127	
	E953200011020	1	ENGINE	TTCD7.8L6
1	F954200210360	1	CRANKCASE ><2-30	
2	F934201210020	14	SCREW	
3	F934201210030	14	ADAPTER BUSH	
4	F954200210390	2	PLUG SCREW	
5	F731200060160	3	SEALING WASHER	DIN7603-14X18-CU-VERZ
6	F731200210190	1	SEALING WASHER	
7	F954200210400	1	PLUG SCREW	DIN908-M22X1,5
8	F946201210010	1	SEALING WASHER	26X31
9	F438200510020	1	PLUG SCREW	
10	F934201210050	6	BEARING BUSHING	
11	F954200210020	1	FEMALE BEARING	
12	F119200210070	10	CORE HOLE PLUG	
14	F954200210410	1	PLUG SCREW	
18	F001200210030	1	LOCKING PLUG	
19	F954200210350	6	CYLINDER LINER	
20	F004200210110	12	SEAL	
30			NOT AVAILABLE IN SINGLE PARTS	
185	F716201210220	1	SAFE.LOCK AGENT	
242	F119200040090	1	INSTALLATION AIDS	



050909

Fendt

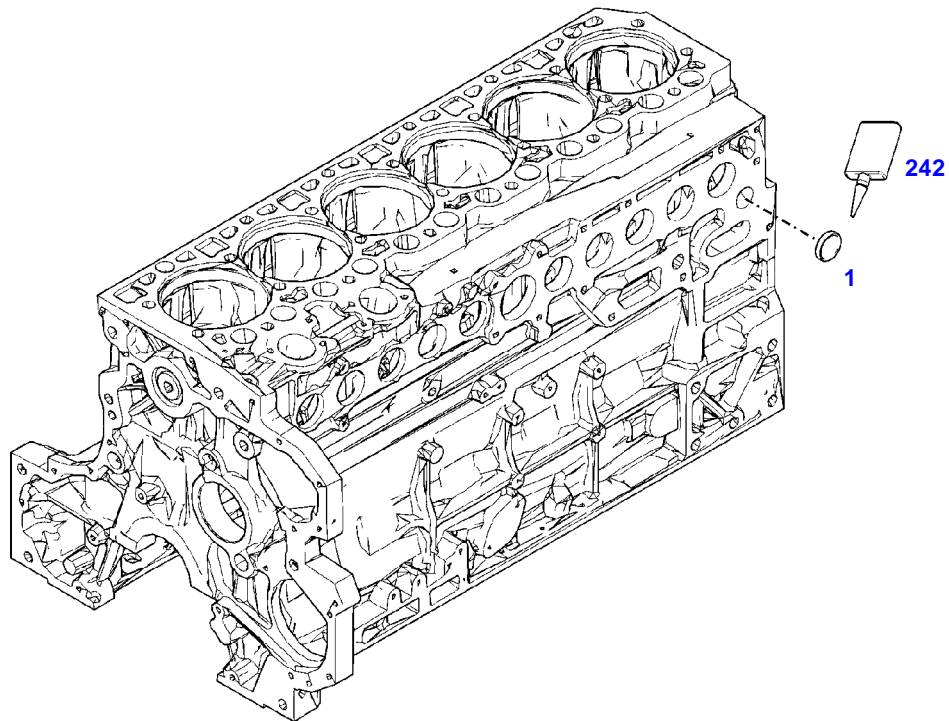
FENDT 936 S4 (NON SCR) (953/01001-05000) (WAM953XXX00F05001-99999)

F953003

CRANKCASE

Page01-0004

Item	Part Number	Qty	Description Comments	Technical Specification
			PISTON COOL.NOZZLE	
1	F954200210040	6	PISTON COOLING JET	
2	F416200210030	6	HEXAGONAL HEAD BOLT	M8X35



041319

Fendt

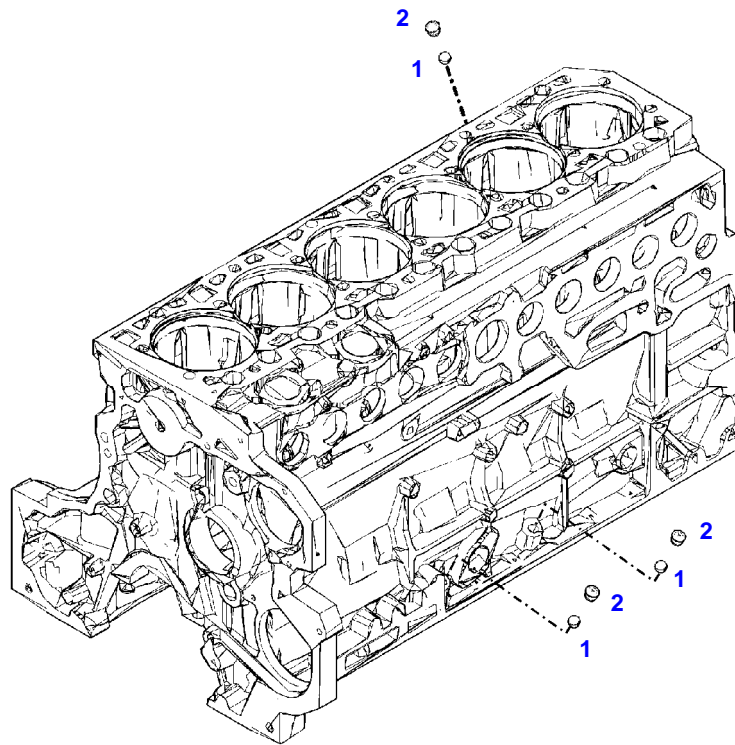
FENDT 936 S4 (NON SCR) (953/01001-05000) (WAM953XXX00F05001-99999)

F953003

CRANKCASE

Page01-0005

Item	Part Number	Qty	Description Comments	Technical Specification
			LOCKING PLUG	
1	F946201210050	1	CORE HOLE PLUG	
242	X903050084000	1	THREADLOCKER	LOCTITE 243 10ML



041284

Fendt

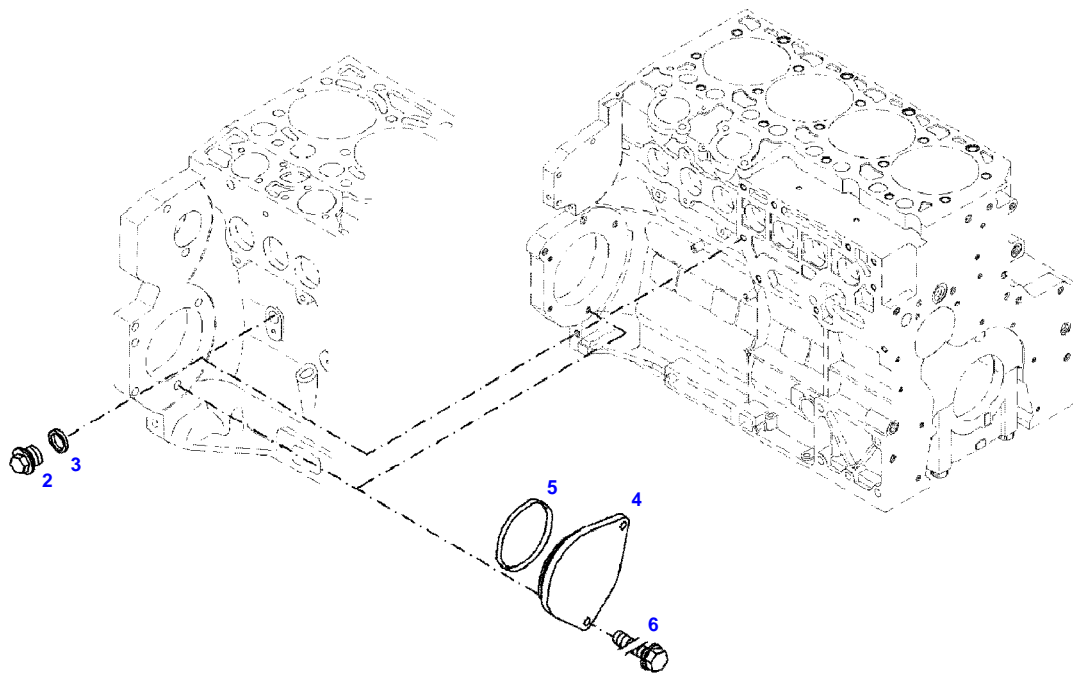
FENDT 936 S4 (NON SCR) (953/01001-05000) (WAM953XXX00F05001-99999)

F953003

CRANKCASE

Page01-0006

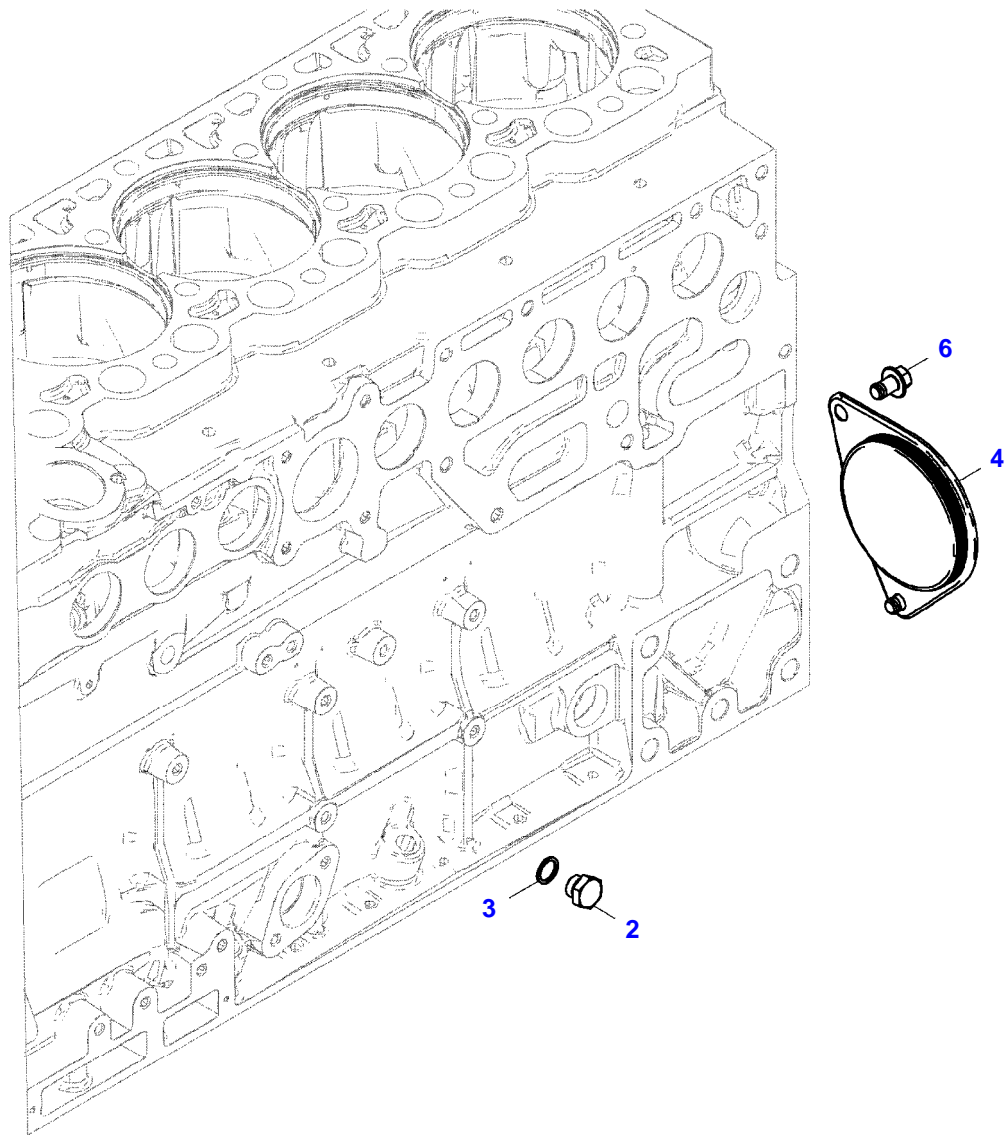
Item	Part Number	Qty	Description Comments
			LOCKING PLUG
1	F934201210750	3	BALL
2	F934201210810	3	LOCKING PLUG



051577



Item	Part Number	Qty	Description Comments	Technical Specification
BLANKING PARTS				
2	X494203800000	1	PLUG NOT NEEDED WITH AIR BRAKE	DIN 7604 AM14X1,5-A3L
3	F731200060160	1	SEALING WASHER NOT NEEDED WITH AIR BRAKE	DIN7603-14X18-CU-VERZ
4	F412201210020	1	COVER NOT NEEDED WITH AIR BRAKE	
5	F716201210090	1	SEAL 96X4MM NOT NEEDED WITH AIR BRAKE	
6	F339900040220	2	HEXAGONAL HEAD BOLT NOT NEEDED WITH AIR BRAKE UP TO 2017-08	M10X20
	F438200210220	2	HEXAGONAL HEAD BOLT NOT NEEDED WITH AIR BRAKE FROM 2017-09	M10X16



25548786-M-1

Fendt

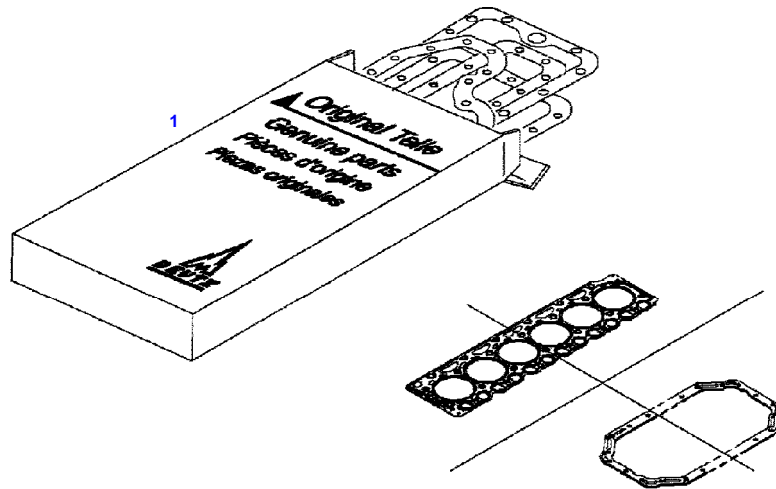
FENDT 936 S4 (NON SCR) (953/01001-05000) (WAM953XXX00F05001-99999)

F953003

CRANKCASE

Page01-0008

Item	Part Number	Qty	Description Comments	Technical Specification
			BLANKING PARTS FROM ENGINE S/N 12162508	
2	F954200210410	1	PLUG SCREW NOT NEEDED WITH AIR BRAKE	
3	F731200060160	1	SEALING WASHER NOT NEEDED WITH AIR BRAKE	DIN7603-14X18-CU-VERZ
4	F438200210380	1	COVER NOT NEEDED WITH AIR BRAKE	
6	F438200210220	2	HEXAGONAL HEAD BOLT	M10X16



050910

Fendt

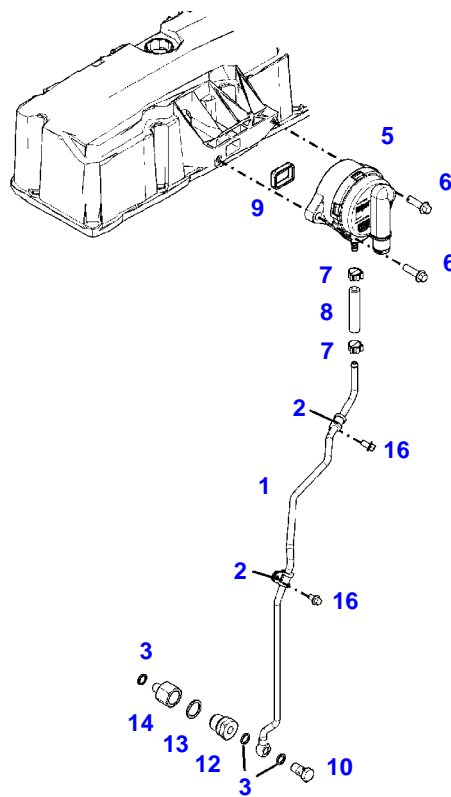
FENDT 936 S4 (NON SCR) (953/01001-05000) (WAM953XXX00F05001-99999)

F953003

SET OF GASKETS - MOTOR

Page01-0009

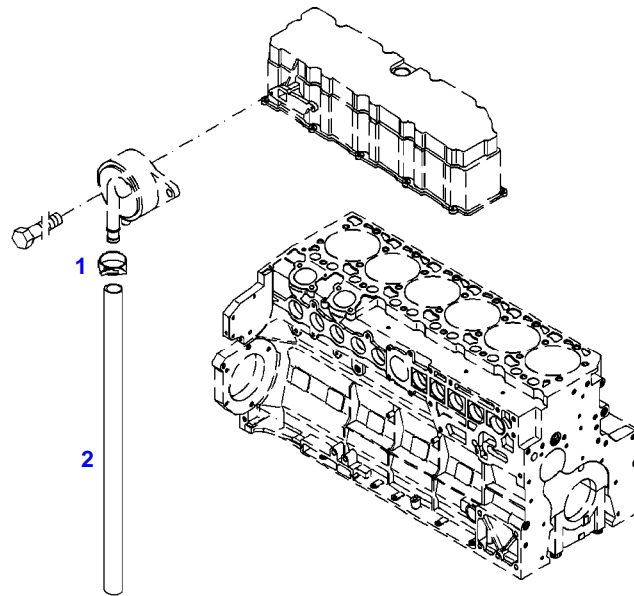
Item	Part Number	Qty	Description Comments
1	F954200210050	1	SEAL KIT WITHOUT CYLINDER HEAD GASKET WITHOUT SEAL OIL SUMP



041330

CRANKCASE BREATHER

Item	Part Number	Qty	Description Comments	Technical Specification
1	F946201210210	1	RETURN LINE ><2,3,10	
2	F934201210680	2	PIPE CLAMP	
3	X540003278000	3	SEALING WASHER	DIN 7603 A12X15,5-CU
5	F339202210280	1	BREATHER ><9	
6	F119200090080	2	HEXAGONAL HEAD BOLT M8X30	M8X30
7	F945201210020	2	HOSE CLIP	
8	F934201210110	1	RUBBER HOSE	
9	725200010251	1	SEAL	
10	F100001119241	1	BANJO BOLT	
12	F946201210140	1	LOCK VALVE ><13,14	
13	X540006678000	1	SEALING WASHER	DIN 7603 A22X27-CU
14	F934201210140	1	ADAPTER	
16	F119200090150	2	HEXAGONAL HEAD BOLT M6X12	M6X12



035675

Fendt

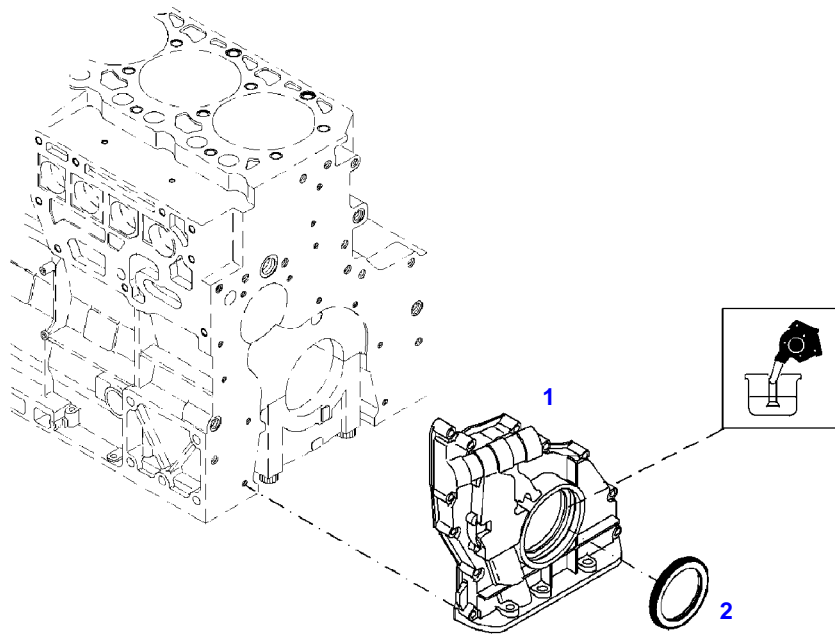
FENDT 936 S4 (NON SCR) (953/01001-05000) (WAM953XXX00F05001-99999)

F953003

CRANKCASE BREATHER

Page01-0011

Item	Part Number	Qty	Description Comments	Technical Specification
			BREATHER TUBE	
1	X458651300000	1	HOSE CLIP	
2	X591110000900	1	HOSE	L=900 DIN73411-22X3,5 R



041280

Fendt

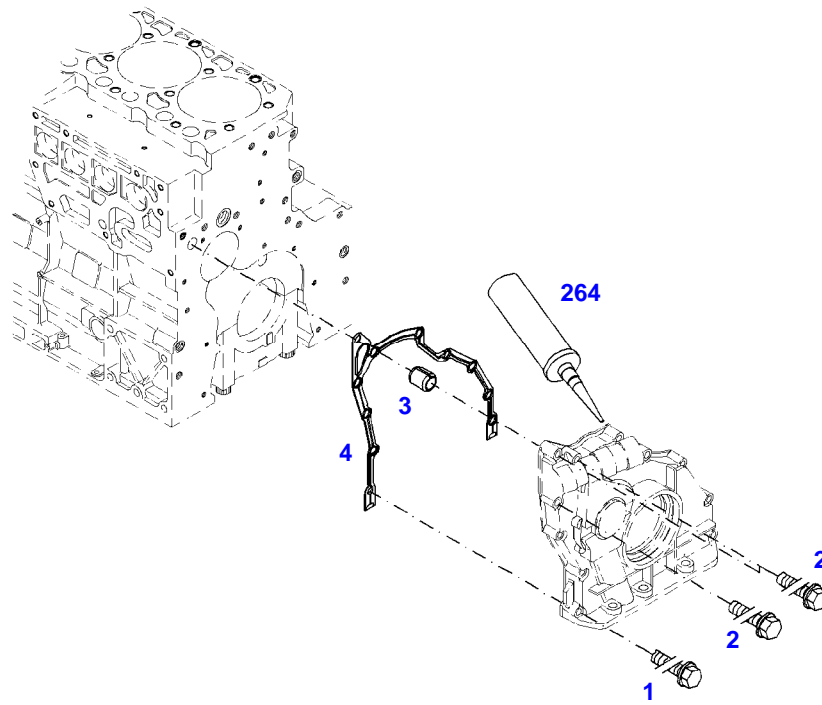
FENDT 936 S4 (NON SCR) (953/01001-05000) (WAM953XXX00F05001-99999)

F953003

FRONT COVER

Page01-0012

Item	Part Number	Qty	Description Comments
			INTEGRATED OIL PUMP
1	F946201210060	1	CRANKCASE END COVER ><2
2	F946201210070	1	SHAFT SEAL



040931



Suggest:

For more complete manuals. Please go to the home page.

<https://www.ebooklibonline.com>

If the above button click is invalid. Please download this document first, and then click the above link to download the complete manual.

Thank you so much for reading

Fendt

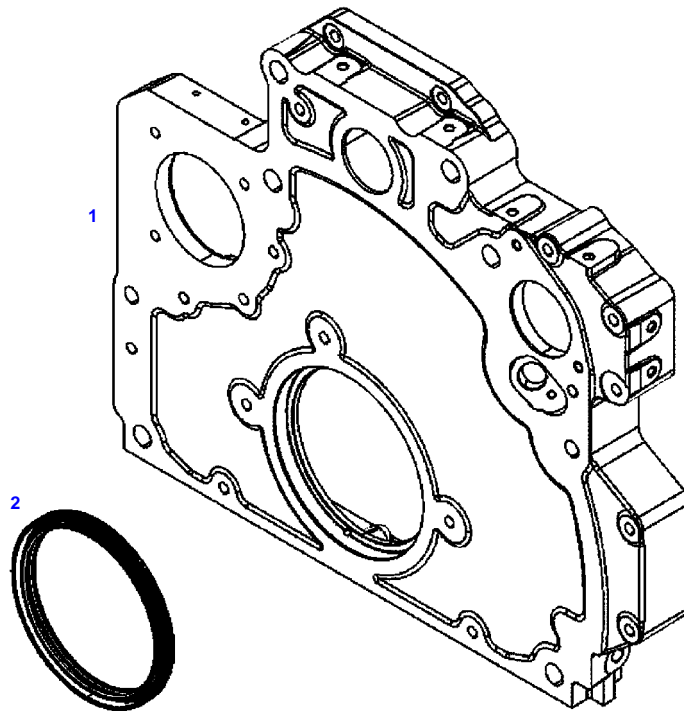
FENDT 936 S4 (NON SCR) (953/01001-05000) (WAM953XXX00F05001-99999)

F953003

FRONT COVER

Page01-0013

Item	Part Number	Qty	Description Comments	Technical Specification
FASTENINGS				
1	F416200210030	8	HEXAGONAL HEAD BOLT	M8X35
2	F934201210160	3	HEXAGONAL HEAD BOLT M8X70	
3	F119200210340	1	TENSIONER BUSH	
4	F934201210170	1	SEAL	
264	F934201210570	1	SEALING COMPOUND	



050911

<https://www.ebooklibonline.com>

Hello dear friend!

Thank you very much for reading.

Enter the link into your browser.

The full manual is available for immediate download.

<https://www.ebooklibonline.com>