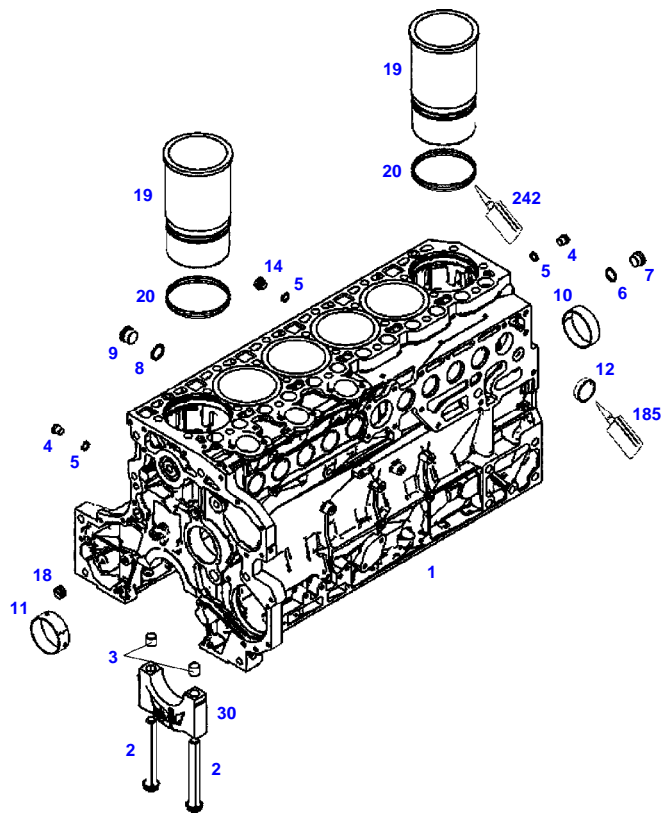


**TABLE OF CONTENT**

<b>Page Number</b>	<b>Page Title</b>	<b>Page Reference</b>
01-000-TOC	ENGINE, FUEL AND EXHAUST SYSTEM	01-000-TOC
02-000-TOC	AXLES	02-000-TOC
03-000-TOC	STEERING SYSTEM	03-000-TOC
04-000-TOC	DRIVE TRAIN SYSTEM	04-000-TOC
05-000-TOC	COMPRESSED AIR SYSTEM	05-000-TOC
06-000-TOC	HYDRAULIC SYSTEM	06-000-TOC
07-000-TOC	ELECTRICAL SYSTEM	07-000-TOC
08-000-TOC	CAB	08-000-TOC
09-000-TOC	AIR CONDITIONING AND HEATING SYSTEM	09-000-TOC
10-000-TOC	CHASSIS	10-000-TOC
11-000-TOC	WHEELS	11-000-TOC
12-000-TOC	IMPLEMENT LIFT SYSTEM FRONT	12-000-TOC
13-000-TOC	IMPLEMENT LIFT SYSTEM REAR	13-000-TOC
14-000-TOC	LINKAGE	14-000-TOC
15-000-TOC	PRECISION FARMING SYSTEMS	15-000-TOC
16-000-TOC	ACCESSORIES	16-000-TOC



050908

Item	Part Number	Qty	Description Comments	Technical Specification
			UP TO ENGINE S/N 12034362	
	E952200011100	1	ENGINE	TTCD7.8L6
1	F954200210010	1	CRANKCASE ><2-30	
2	F934201210020	14	SCREW	
3	F934201210030	14	ADAPTER BUSH	
4	X483800800000	2	PLUG SCREW	DIN 908 M14X1,5-ST
5	F731200060160	3	SEALING WASHER	DIN7603-14X18-CU-VERZ
6	F731200210190	1	SEALING WASHER	
7	X483802400000	1	PLUG	DIN 908 M22X1,5-ST
8	F946201210010	1	SEALING WASHER	26X31
9	X483803200000	1	PLUG SCREW	DIN 908 - M26 X 1,5 - ST
10	F934201210050	6	BEARING BUSHING	
11	F954200210020	1	FEMALE BEARING	
12	F119200210070	10	CORE HOLE PLUG	
14	X494203800000	1	PLUG	DIN 7604 AM14X1,5-A3L
18	F001200210030	1	LOCKING PLUG	
19	F954200210030	6	CYLINDER LINER	
20	F004200210110	2	SEAL	
30			NOT AVAILABLE IN SINGLE PARTS	
185	F119200210850	1	SAFE.LOCK AGENT	
242	F119200040090	1	INSTALLATION AIDS	

**<https://www.ebooklibonline.com>**

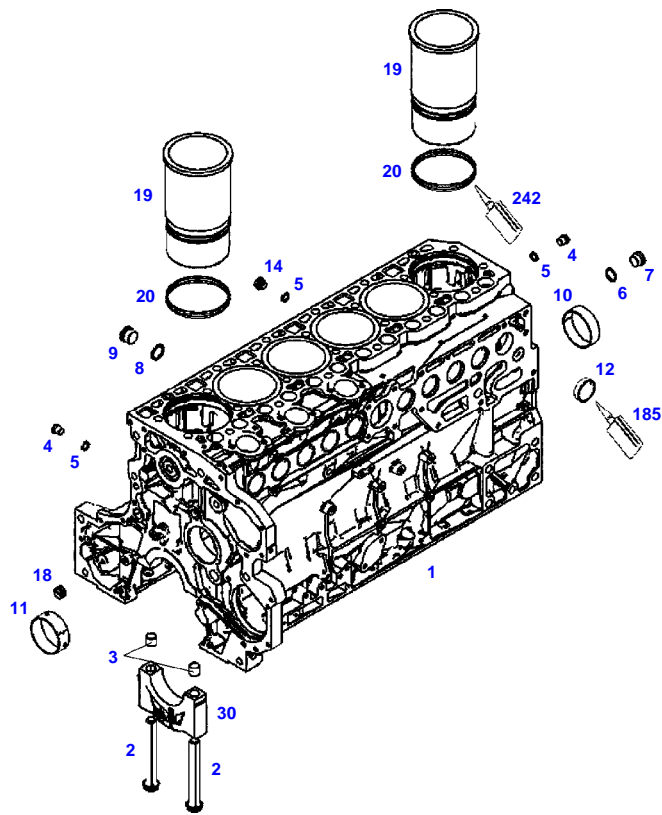
Hello dear friend!

Thank you very much for reading.

Enter the link into your browser.

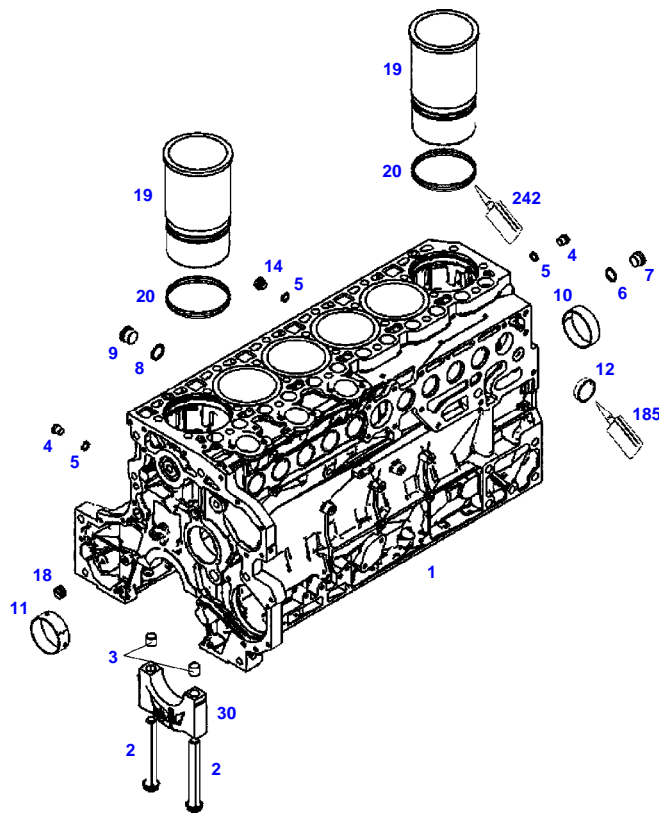
The full manual is available for immediate download.

**<https://www.ebooklibonline.com>**



050908

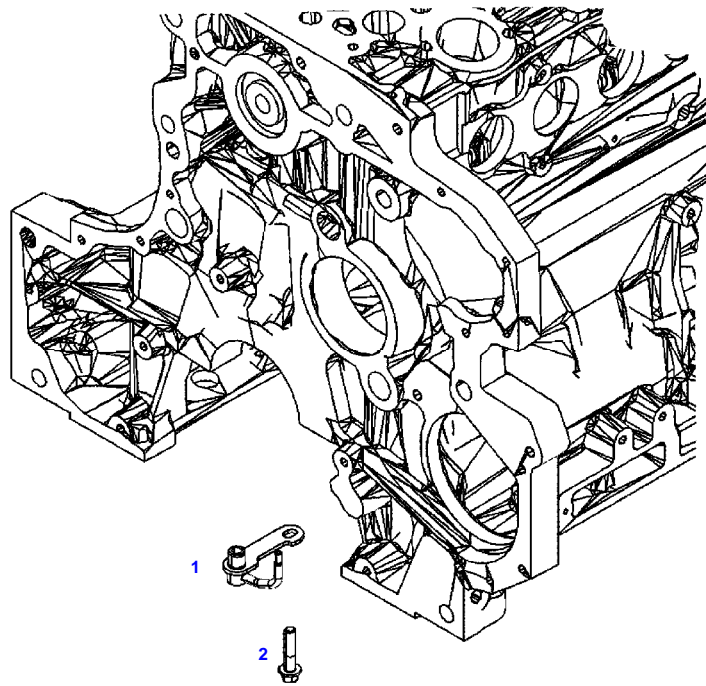
Item	Part Number	Qty	Description Comments	Technical Specification
			FROM - UP TO ENGINE S/N 12034363 - 12315126	
	E952200011011	1	ENGINE	TTCD7.8L6
1	F954200210360	1	CRANKCASE ><2-30	
2	F934201210020	14	SCREW	
3	F934201210030	14	ADAPTER BUSH	
4	F954200210390	2	PLUG SCREW	
5	F731200060160	3	SEALING WASHER	DIN7603-14X18-CU-VERZ
6	F731200210190	1	SEALING WASHER	
7	F954200210400	1	PLUG SCREW	DIN908-M22X1,5
8	F946201210010	1	SEALING WASHER	26X31
9	F438200510020	1	PLUG SCREW	
10	F934201210050	6	BEARING BUSHING	
11	F954200210020	1	FEMALE BEARING	
12	F119200210070	10	CORE HOLE PLUG	
14	F954200210410	1	PLUG SCREW	
18	F001200210030	1	LOCKING PLUG	
19	F954200210350	6	CYLINDER LINER	
20	F004200210110	12	SEAL	
30			NOT AVAILABLE IN SINGLE PARTS	
185	F716201210220	1	SAFE.LOCK AGENT	
242	F119200040090	1	INSTALLATION AIDS	



050908

## CRANKCASE

Item	Part Number	Qty	Description Comments	Technical Specification
			FROM ENGINE S/N 12315127	
	E952200011020	1	ENGINE	TTCD7.8L6
1	F954200210360	1	CRANKCASE ><2-30	
2	F934201210020	14	SCREW	
3	F934201210030	14	ADAPTER BUSH	
4	F954200210390	2	PLUG SCREW	
5	F731200060160	3	SEALING WASHER	DIN7603-14X18-CU-VERZ
6	F731200210190	1	SEALING WASHER	
7	F954200210400	1	PLUG SCREW	DIN908-M22X1,5
8	F946201210010	1	SEALING WASHER	26X31
9	F438200510020	1	PLUG SCREW	
10	F934201210050	6	BEARING BUSHING	
11	F954200210020	1	FEMALE BEARING	
12	F119200210070	10	CORE HOLE PLUG	
14	F954200210410	1	PLUG SCREW	
18	F001200210030	1	LOCKING PLUG	
19	F954200210350	6	CYLINDER LINER	
20	F004200210110	12	SEAL	
30			NOT AVAILABLE IN SINGLE PARTS	
185	F716201210220	1	SAFE.LOCK AGENT	
242	F119200040090	1	INSTALLATION AIDS	



050909

Fendt

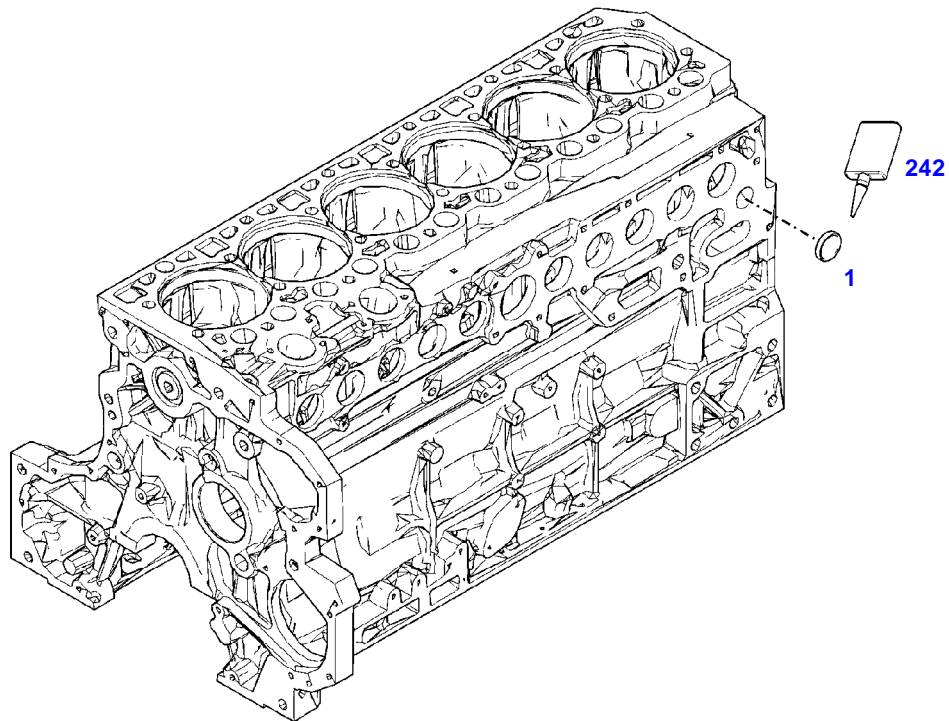
FENDT 933 S4 (NON SCR) (952/01001-05000) (WAM952XXX00F05001-99999)

F952003

CRANKCASE

Page01-0004

Item	Part Number	Qty	Description Comments	Technical Specification
			PISTON COOL.NOZZLE	
1	F954200210040	6	PISTON COOLING JET	
2	F416200210030	6	HEXAGONAL HEAD BOLT	M8X35



041319

Fendt

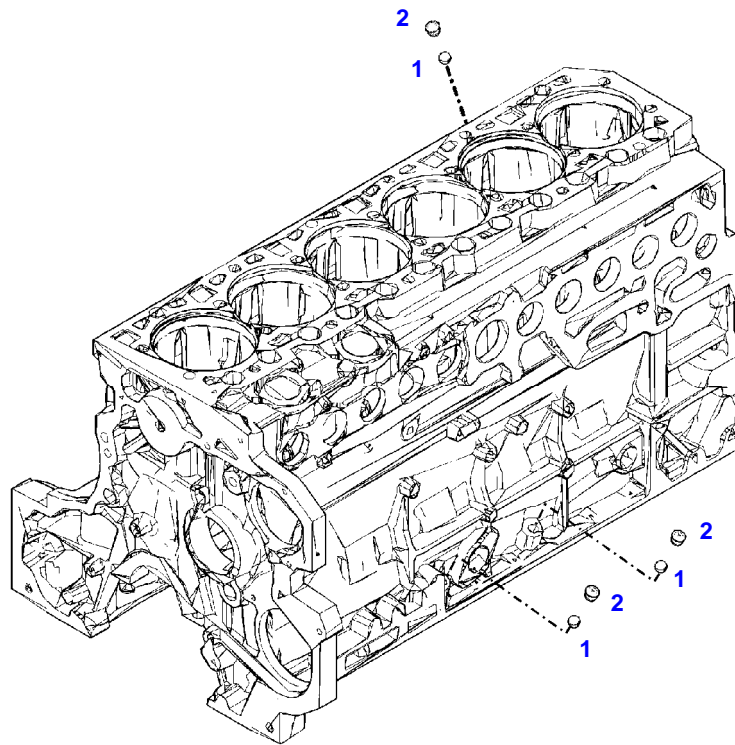
FENDT 933 S4 (NON SCR) (952/01001-05000) (WAM952XXX00F05001-99999)

F952003

CRANKCASE

Page01-0005

Item	Part Number	Qty	Description Comments	Technical Specification
			<b>LOCKING PLUG</b>	
1	F946201210050	1	CORE HOLE PLUG	
242	X903050084000	1	THREADLOCKER	LOCTITE 243 10ML



041284

---

Fendt

FENDT 933 S4 (NON SCR) (952/01001-05000) (WAM952XXX00F05001-99999)

F952003

CRANKCASE

Page01-0006

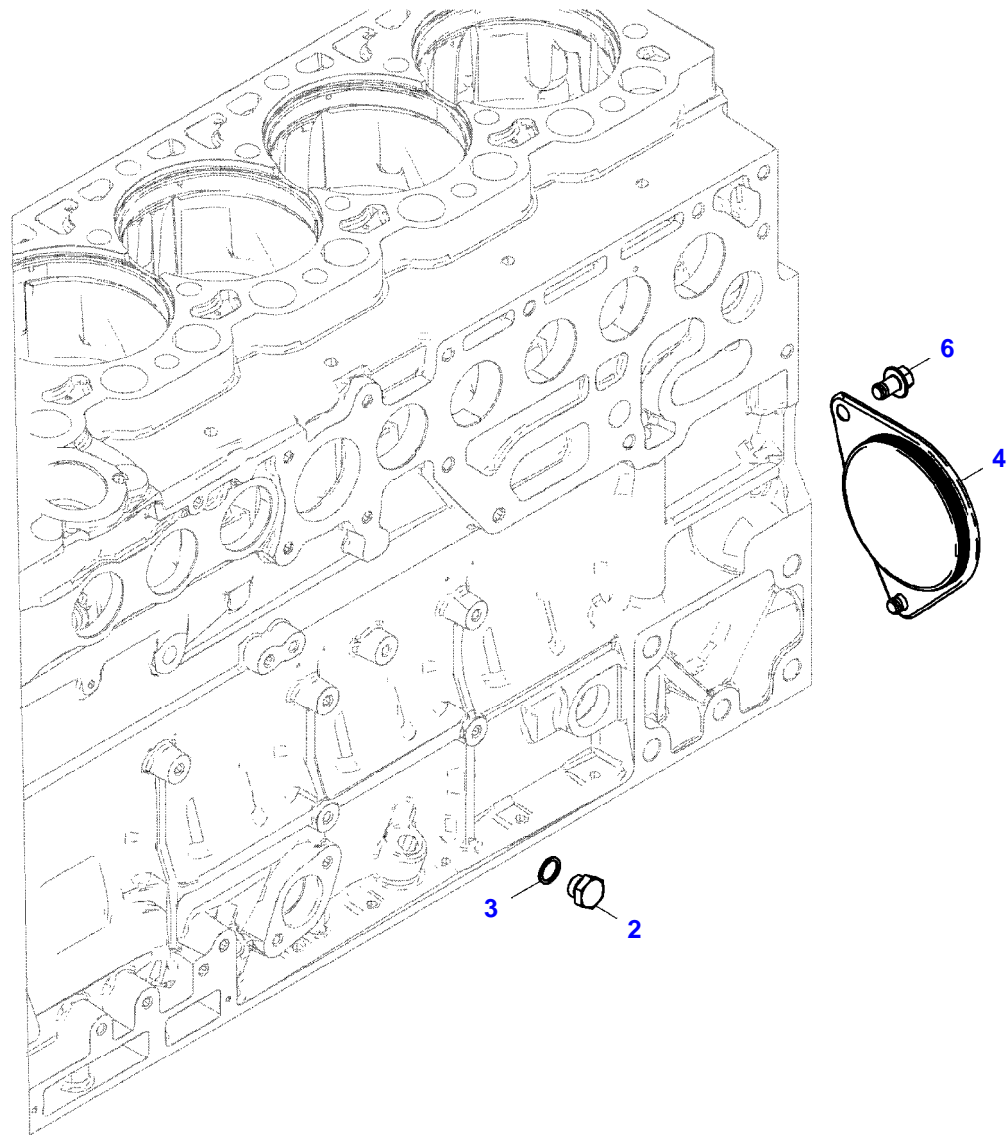
Item	Part Number	Qty	Description Comments
			LOCKING PLUG
1	F934201210750	3	BALL
2	F934201210810	3	LOCKING PLUG



051577

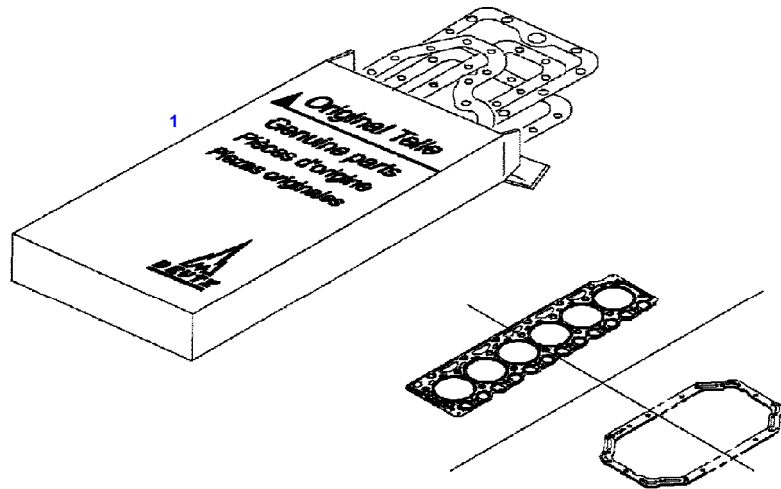


Item	Part Number	Qty	Description Comments	Technical Specification
<b>BLANKING PARTS</b>				
2	X494203800000	1	PLUG NOT NEEDED WITH AIR BRAKE	DIN 7604 AM14X1,5-A3L
3	F731200060160	1	SEALING WASHER NOT NEEDED WITH AIR BRAKE	DIN7603-14X18-CU-VERZ
4	F412201210020	1	COVER NOT NEEDED WITH AIR BRAKE	
5	F716201210090	1	SEAL 96X4MM NOT NEEDED WITH AIR BRAKE	
6	F339900040220	2	HEXAGONAL HEAD BOLT NOT NEEDED WITH AIR BRAKE UP TO 2017-08	M10X20
	F438200210220	2	HEXAGONAL HEAD BOLT NOT NEEDED WITH AIR BRAKE FROM 2017-09	M10X16



25548786-M-1

Item	Part Number	Qty	Description Comments	Technical Specification
			<b>BLANKING PARTS FROM ENGINE S/N 12162508</b>	
2	F954200210410	1	PLUG SCREW NOT NEEDED WITH AIR BRAKE	
3	F731200060160	1	SEALING WASHER NOT NEEDED WITH AIR BRAKE	DIN7603-14X18-CU-VERZ
4	F438200210380	1	COVER NOT NEEDED WITH AIR BRAKE	
6	F438200210220	2	HEXAGONAL HEAD BOLT	M10X16



050910

---

Fendt

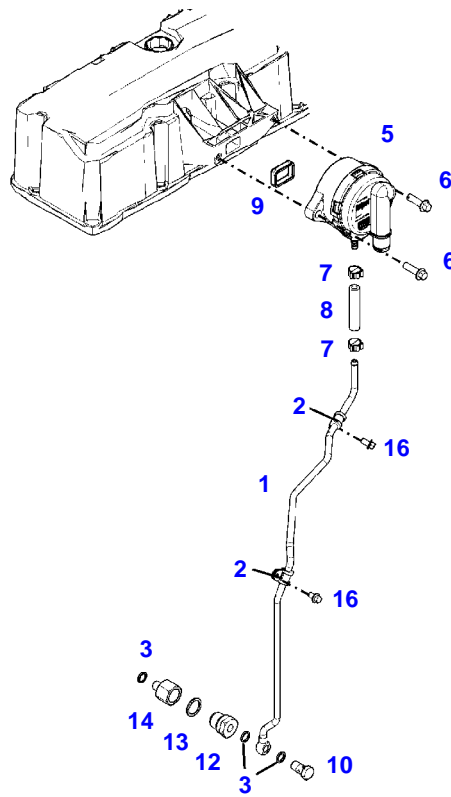
FENDT 933 S4 (NON SCR) (952/01001-05000) (WAM952XXX00F05001-99999)

F952003

SET OF GASKETS - MOTOR

Page01-0009

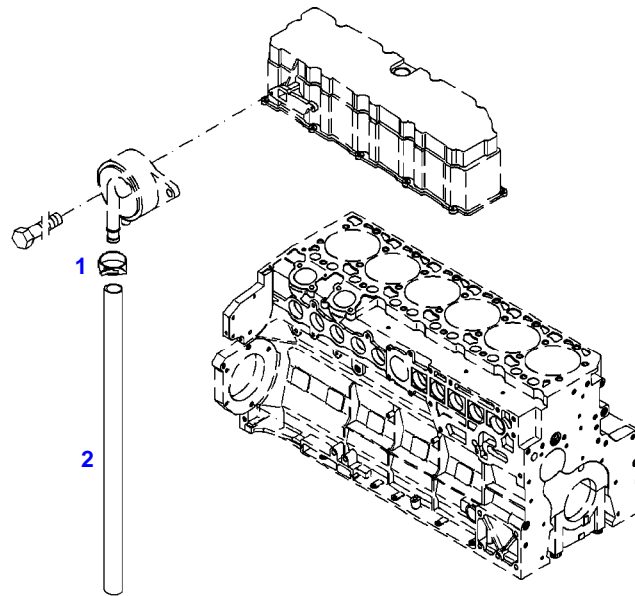
Item	Part Number	Qty	Description Comments
1	F954200210050	1	SEAL KIT WITHOUT CYLINDER HEAD GASKET WITHOUT SEAL OIL SUMP



041330

## CRANKCASE BREATHER

Item	Part Number	Qty	Description Comments	Technical Specification
1	F946201210210	1	RETURN LINE ><2,3,10	
2	F934201210680	2	PIPE CLAMP	
3	X540003278000	3	SEALING WASHER	DIN 7603 A12X15,5-CU
5	F339202210280	1	BREATHER ><9	
6	F119200090080	2	HEXAGONAL HEAD BOLT M8X30	M8X30
7	F945201210020	2	HOSE CLIP	
8	F934201210110	1	RUBBER HOSE	
9	725200010251	1	SEAL	
10	F100001119241	1	BANJO BOLT	
12	F946201210140	1	LOCK VALVE ><13,14	
13	X540006678000	1	SEALING WASHER	DIN 7603 A22X27-CU
14	F934201210140	1	ADAPTER	
16	F119200090150	2	HEXAGONAL HEAD BOLT M6X12	M6X12



035675

Fendt

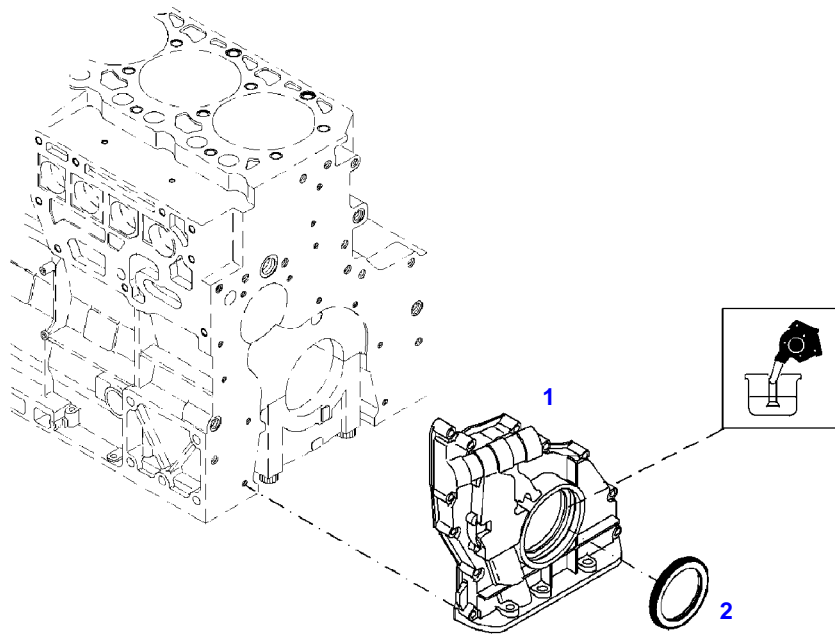
FENDT 933 S4 (NON SCR) (952/01001-05000) (WAM952XXX00F05001-99999)

F952003

CRANKCASE BREATHER

Page01-0011

Item	Part Number	Qty	Description Comments	Technical Specification
			<b>BREATHER TUBE</b>	
1	X458651300000	1	HOSE CLIP	
2	X591110000900	1	HOSE	L=900 DIN73411-22X3,5 R



041280

---

Fendt

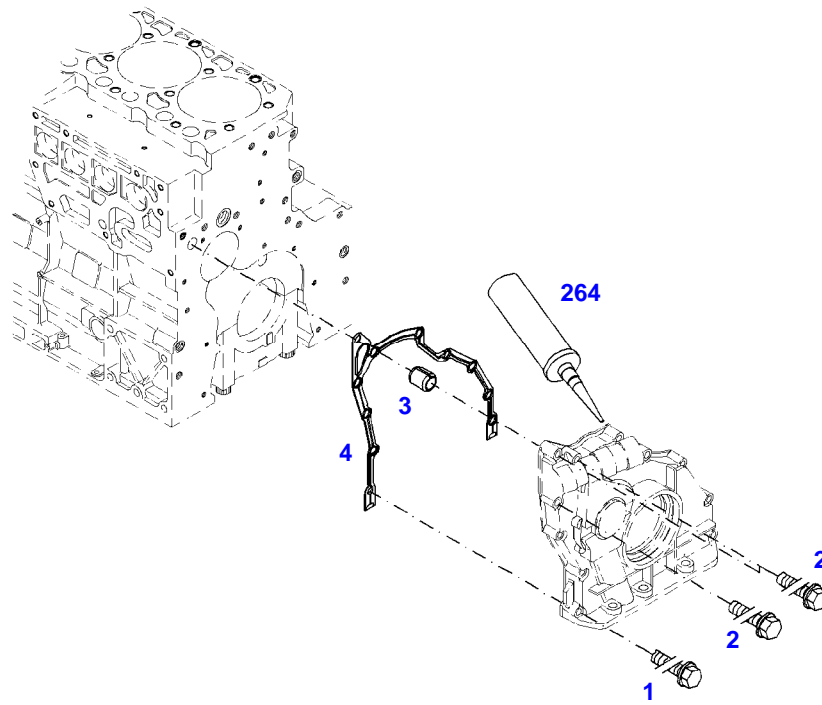
FENDT 933 S4 (NON SCR) (952/01001-05000) (WAM952XXX00F05001-99999)

F952003

FRONT COVER

Page01-0012

Item	Part Number	Qty	Description Comments
			<b>INTEGRATED OIL PUMP</b>
1	F946201210060	1	CRANKCASE END COVER ><2
2	F946201210070	1	SHAFT SEAL



040931



**Suggest:**

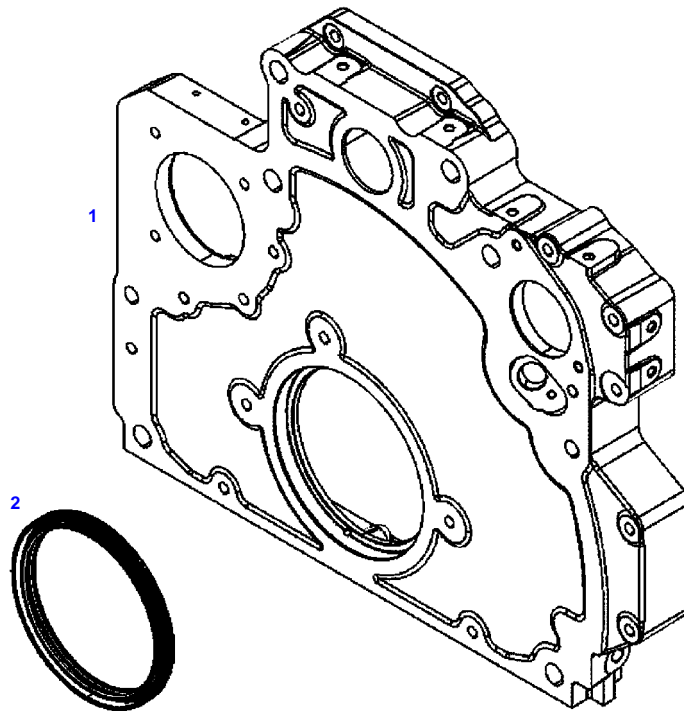
**For more complete manuals. Please go to the home page.**

**<https://www.ebooklibonline.com>**

**If the above button click is invalid. Please download this document first, and then click the above link to download the complete manual.**

**Thank you so much for reading**

<b>Item</b>	<b>Part Number</b>	<b>Qty</b>	<b>Description Comments</b>	<b>Technical Specification</b>
<b>FASTENINGS</b>				
1	F416200210030	8	HEXAGONAL HEAD BOLT	M8X35
2	F934201210160	3	HEXAGONAL HEAD BOLT M8X70	
3	F119200210340	1	TENSIONER BUSH	
4	F934201210170	1	SEAL	
264	F934201210570	1	SEALING COMPOUND	



050911

**<https://www.ebooklibonline.com>**

Hello dear friend!

Thank you very much for reading.

Enter the link into your browser.

The full manual is available for immediate download.

**<https://www.ebooklibonline.com>**