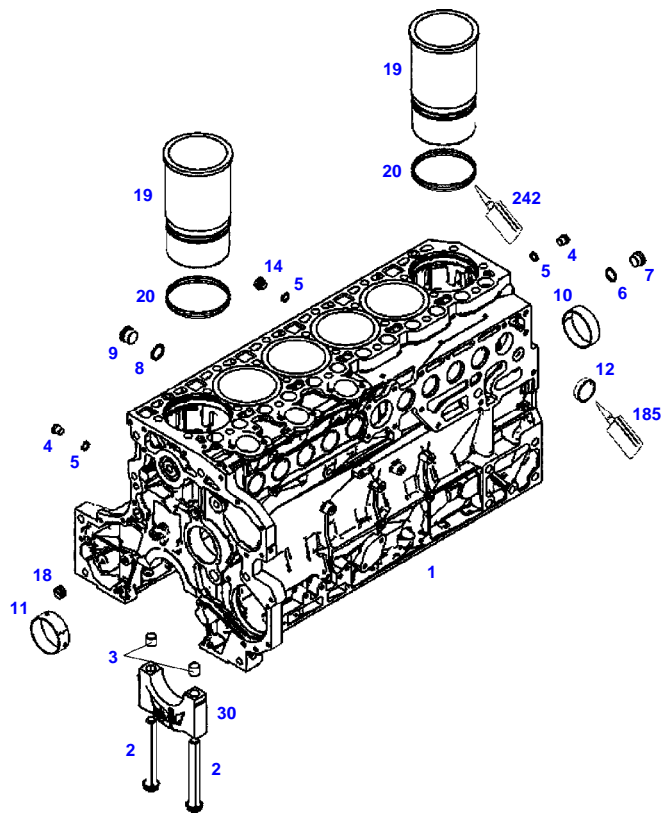


**TABLE OF CONTENT**

| <b>Page Number</b> | <b>Page Title</b>                   | <b>Page Reference</b> |
|--------------------|-------------------------------------|-----------------------|
| 01-000-TOC         | ENGINE, FUEL AND EXHAUST SYSTEM     | 01-000-TOC            |
| 02-000-TOC         | AXLES                               | 02-000-TOC            |
| 03-000-TOC         | STEERING SYSTEM                     | 03-000-TOC            |
| 04-000-TOC         | DRIVE TRAIN SYSTEM                  | 04-000-TOC            |
| 05-000-TOC         | COMPRESSED AIR SYSTEM               | 05-000-TOC            |
| 06-000-TOC         | HYDRAULIC SYSTEM                    | 06-000-TOC            |
| 07-000-TOC         | ELECTRICAL SYSTEM                   | 07-000-TOC            |
| 08-000-TOC         | CAB                                 | 08-000-TOC            |
| 09-000-TOC         | AIR CONDITIONING AND HEATING SYSTEM | 09-000-TOC            |
| 10-000-TOC         | CHASSIS                             | 10-000-TOC            |
| 11-000-TOC         | WHEELS                              | 11-000-TOC            |
| 12-000-TOC         | IMPLEMENT LIFT SYSTEM FRONT         | 12-000-TOC            |
| 13-000-TOC         | IMPLEMENT LIFT SYSTEM REAR          | 13-000-TOC            |
| 14-000-TOC         | LINKAGE                             | 14-000-TOC            |
| 15-000-TOC         | PRECISION FARMING SYSTEMS           | 15-000-TOC            |
| 16-000-TOC         | ACCESSORIES                         | 16-000-TOC            |



050908

## CRANKCASE

| Item | Part Number   | Qty | Description<br>Comments       | Technical Specification |
|------|---------------|-----|-------------------------------|-------------------------|
|      |               |     | FROM ENGINE S/N<br>12315127   |                         |
|      | E951200011020 | 1   | ENGINE                        | TTCD7.8L6               |
| 1    | F954200210360 | 1   | CRANKCASE<br>><2-30           |                         |
| 2    | F934201210020 | 14  | SCREW                         |                         |
| 3    | F934201210030 | 14  | ADAPTER BUSH                  |                         |
| 4    | F954200210390 | 2   | PLUG SCREW                    |                         |
| 5    | F731200060160 | 3   | SEALING WASHER                | DIN7603-14X18-CU-VERZ   |
| 6    | F731200210190 | 1   | SEALING WASHER                |                         |
| 7    | F954200210400 | 1   | PLUG SCREW                    | DIN908-M22X1,5          |
| 8    | F946201210010 | 1   | SEALING WASHER                | 26X31                   |
| 9    | F438200510020 | 1   | PLUG SCREW                    |                         |
| 10   | F934201210050 | 6   | BEARING BUSHING               |                         |
| 11   | F954200210020 | 1   | FEMALE BEARING                |                         |
| 12   | F119200210070 | 10  | CORE HOLE PLUG                |                         |
| 14   | F954200210410 | 1   | PLUG SCREW                    |                         |
| 18   | F001200210030 | 1   | LOCKING PLUG                  |                         |
| 19   | F954200210350 | 6   | CYLINDER LINER                |                         |
| 20   | F004200210110 | 12  | SEAL                          |                         |
| 30   |               |     | NOT AVAILABLE IN SINGLE PARTS |                         |
| 185  | F716201210220 | 1   | SAFE.LOCK AGENT               |                         |
| 242  | F119200040090 | 1   | INSTALLATION AIDS             |                         |

**<https://www.ebooklibonline.com>**

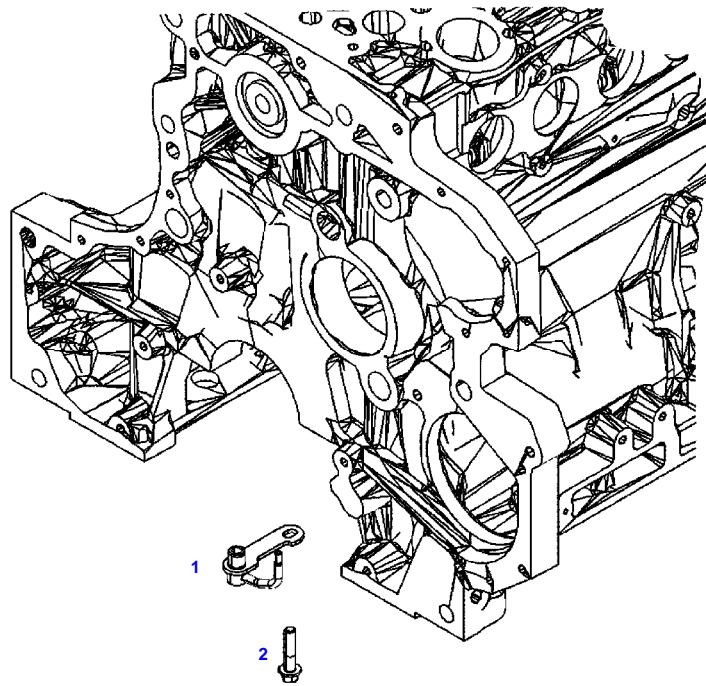
Hello dear friend!

Thank you very much for reading.

Enter the link into your browser.

The full manual is available for immediate download.

**<https://www.ebooklibonline.com>**



050909

---

Fendt

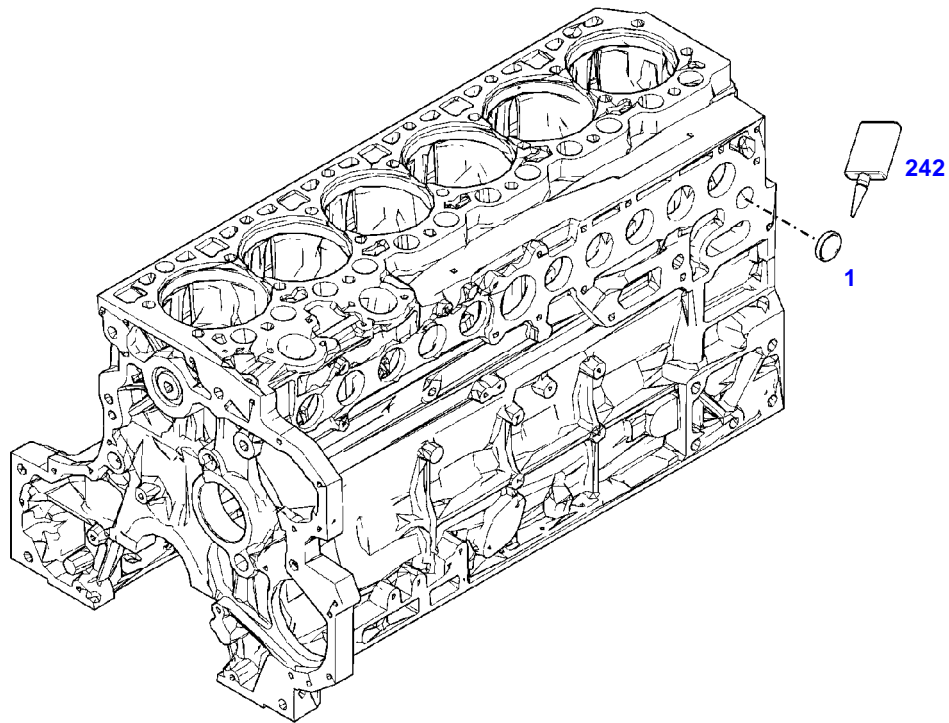
FENDT 930 S4 (NON SCR) (951/01001-05000) (WAM951XXX00F05001-99999)

F951003

CRANKCASE

Page01-0004

| Item | Part Number   | Qty | Description<br>Comments   | Technical Specification |
|------|---------------|-----|---------------------------|-------------------------|
|      |               |     | <b>PISTON COOL.NOZZLE</b> |                         |
| 1    | F954200210040 | 6   | PISTON COOLING JET        |                         |
| 2    | F416200210030 | 6   | HEXAGONAL HEAD BOLT       | M8X35                   |



041319

Fendt

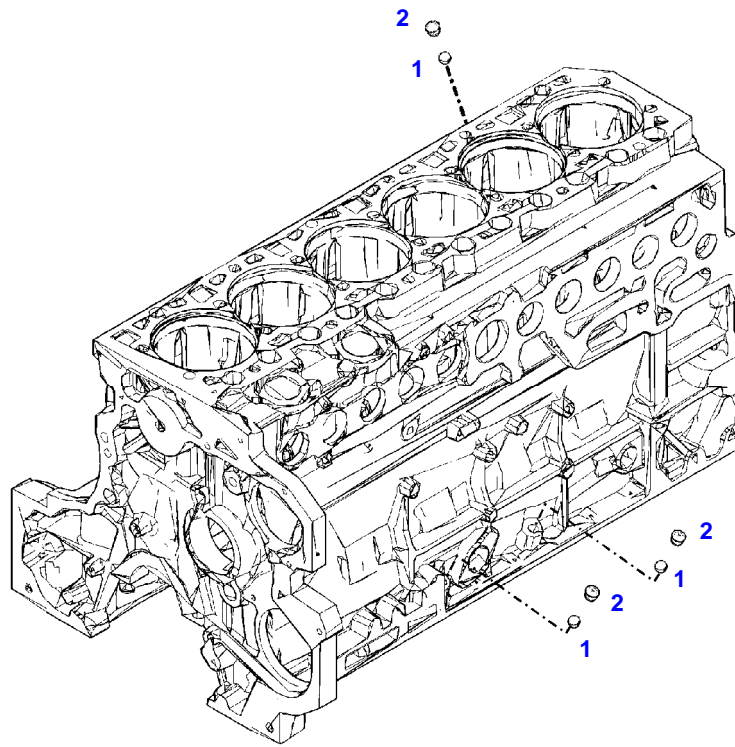
FENDT 930 S4 (NON SCR) (951/01001-05000) (WAM951XXX00F05001-99999)

F951003

CRANKCASE

Page01-0005

| Item | Part Number   | Qty | Description<br>Comments | Technical Specification |
|------|---------------|-----|-------------------------|-------------------------|
|      |               |     | <b>LOCKING PLUG</b>     |                         |
| 1    | F946201210050 | 1   | CORE HOLE PLUG          |                         |
| 242  | X903050084000 | 1   | THREADLOCKER            | LOCTITE 243 10ML        |



041284

---

Fendt

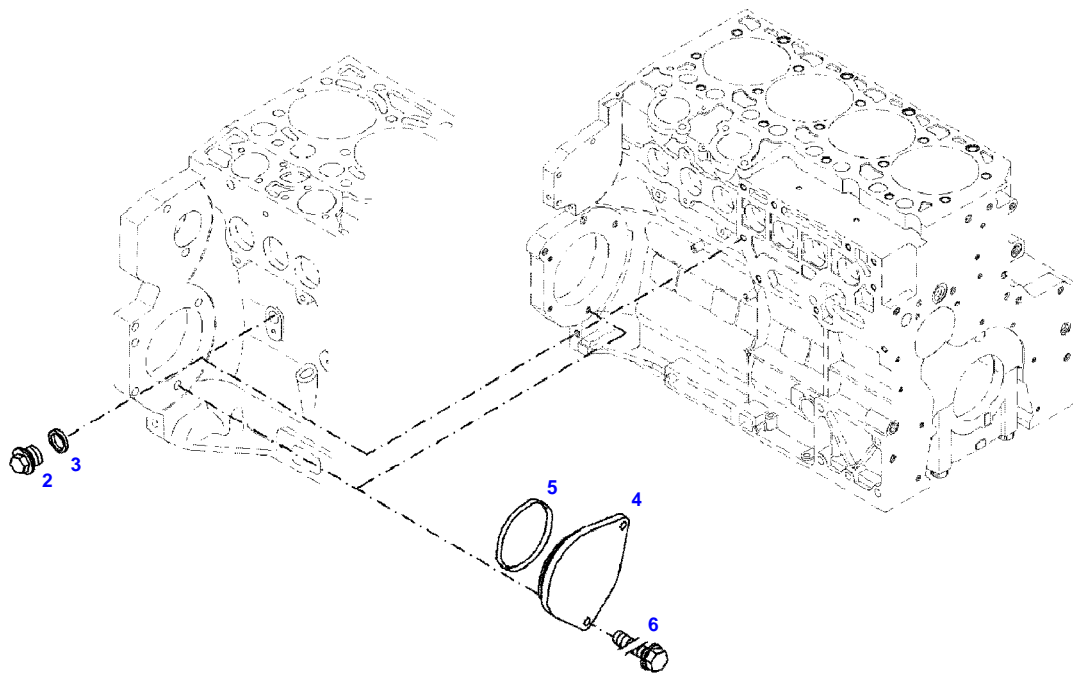
FENDT 930 S4 (NON SCR) (951/01001-05000) (WAM951XXX00F05001-99999)

F951003

CRANKCASE

Page01-0006

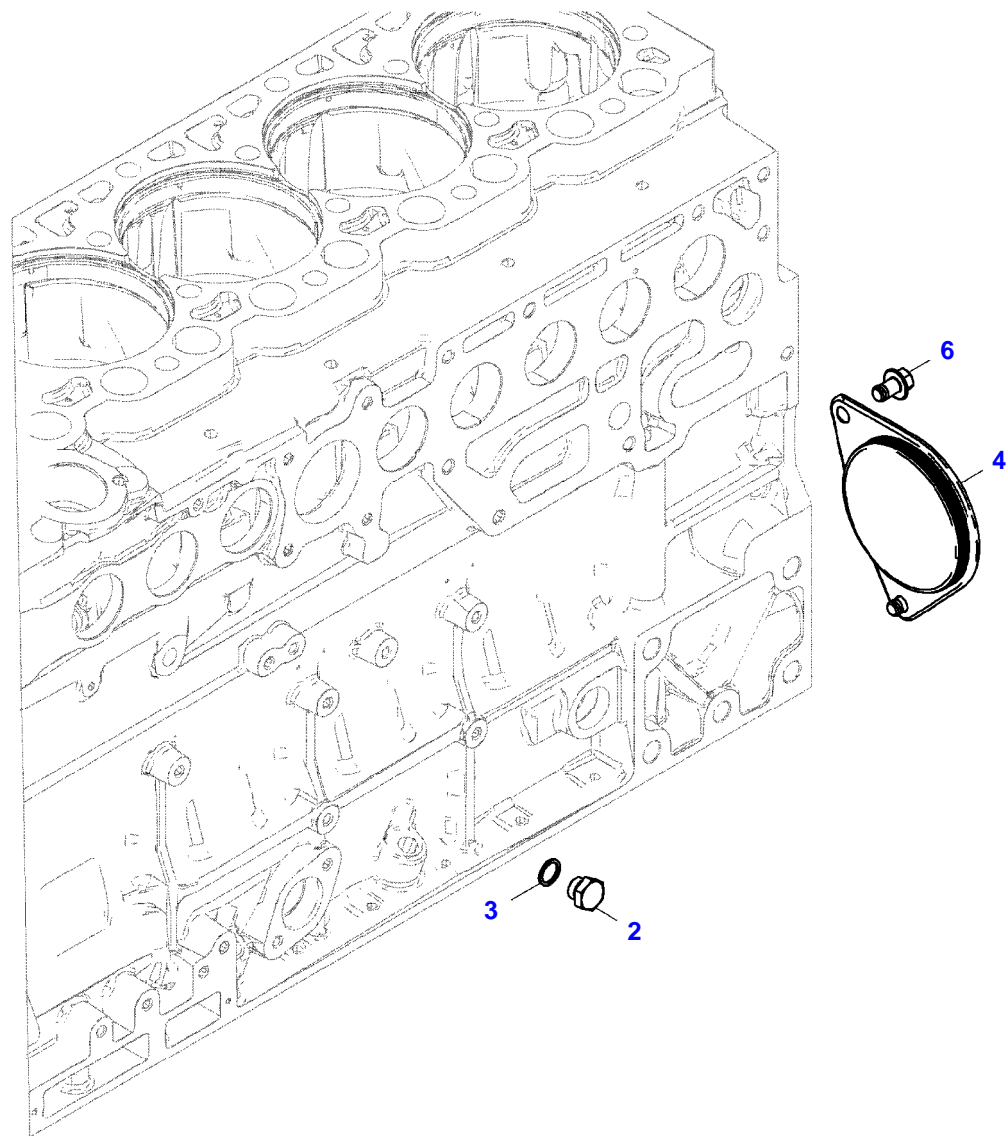
| Item | Part Number   | Qty | Description<br>Comments |
|------|---------------|-----|-------------------------|
|      |               |     | LOCKING PLUG            |
| 1    | F934201210750 | 3   | BALL                    |
| 2    | F934201210810 | 3   | LOCKING PLUG            |



051577

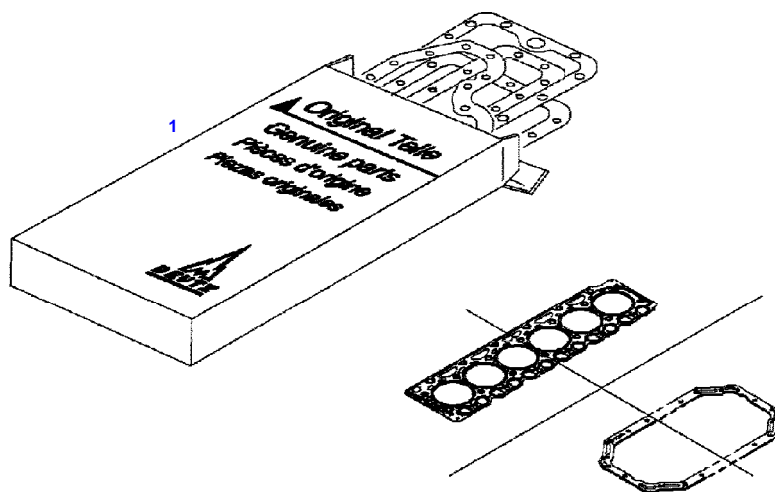


| Item                  | Part Number   | Qty | Description<br>Comments   | Technical Specification |
|-----------------------|---------------|-----|---|-------------------------|
| <b>BLANKING PARTS</b> |               |     |   |                         |
| 2                     | X494203800000 | 1   | PLUG<br>NOT NEEDED WITH AIR BRAKE                                 | DIN 7604 AM14X1,5-A3L   |
| 3                     | F731200060160 | 1   | SEALING WASHER<br>NOT NEEDED WITH AIR BRAKE                       | DIN7603-14X18-CU-VERZ   |
| 4                     | F412201210020 | 1   | COVER<br>NOT NEEDED WITH AIR BRAKE                                |                         |
| 5                     | F716201210090 | 1   | SEAL<br>96X4MM<br>NOT NEEDED WITH AIR BRAKE                       |                         |
| 6                     | F339900040220 | 2   | HEXAGONAL HEAD BOLT<br>NOT NEEDED WITH AIR BRAKE<br>UP TO 2017-08 | M10X20                  |
|                       | F438200210220 | 2   | HEXAGONAL HEAD BOLT<br>NOT NEEDED WITH AIR BRAKE<br>FROM 2017-09  | M10X16                  |



25548786-M-1

| Item | Part Number   | Qty | Description<br>Comments                                | Technical Specification |
|------|---------------|-----|--|-------------------------|
|      |               |     | <b>BLANKING PARTS<br/>FROM ENGINE S/N<br/>12162508</b> |                         |
| 2    | F954200210410 | 1   | PLUG SCREW<br>NOT NEEDED WITH AIR BRAKE                |                         |
| 3    | F731200060160 | 1   | SEALING WASHER<br>NOT NEEDED WITH AIR BRAKE            | DIN7603-14X18-CU-VERZ   |
| 4    | F438200210380 | 1   | COVER<br>NOT NEEDED WITH AIR BRAKE                     |                         |
| 6    | F438200210220 | 2   | HEXAGONAL HEAD BOLT                                    | M10X16                  |



050910

---

Fendt

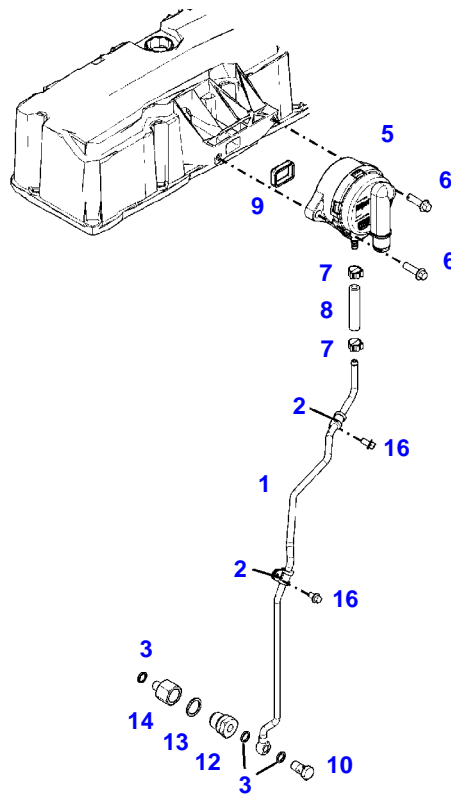
FENDT 930 S4 (NON SCR) (951/01001-05000) (WAM951XXX00F05001-99999)

F951003

SET OF GASKETS - MOTOR

Page01-0009

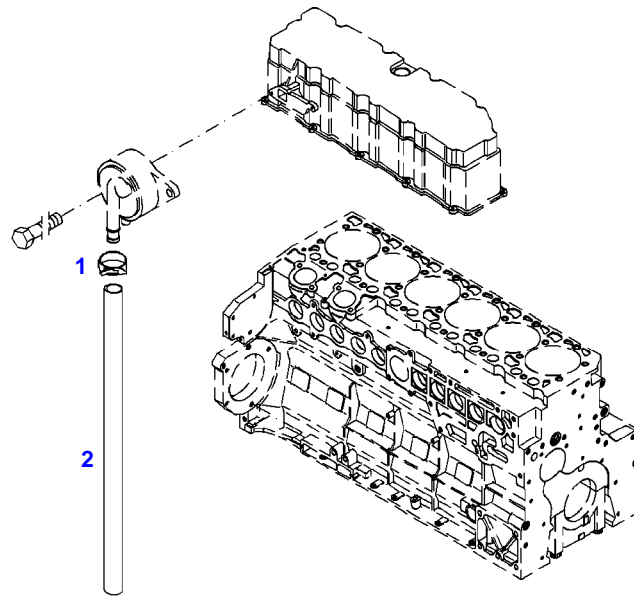
| Item | Part Number   | Qty | Description<br>Comments   |
|------|---------------|-----|---|
| 1    | F954200210050 | 1   | SEAL KIT<br>WITHOUT CYLINDER HEAD GASKET<br>WITHOUT<br>SEAL<br>OIL SUMP |



041330

## CRANKCASE BREATHER

| Item | Part Number   | Qty | Description<br>Comments      | Technical Specification |
|------|---------------|-----|------------------------------|-------------------------|
| 1    | F946201210210 | 1   | RETURN LINE<br>><2,3,10      |                         |
| 2    | F934201210680 | 2   | PIPE CLAMP                   |                         |
| 3    | X540003278000 | 3   | SEALING WASHER               | DIN 7603 A12X15,5-CU    |
| 5    | F339202210280 | 1   | BREATHER<br>><9              |                         |
| 6    | F119200090080 | 2   | HEXAGONAL HEAD BOLT<br>M8X30 | M8X30                   |
| 7    | F945201210020 | 2   | HOSE CLIP                    |                         |
| 8    | F934201210110 | 1   | RUBBER HOSE                  |                         |
| 9    | 725200010251  | 1   | SEAL                         |                         |
| 10   | F100001119241 | 1   | BANJO BOLT                   |                         |
| 12   | F946201210140 | 1   | LOCK VALVE<br>><13,14        |                         |
| 13   | X540006678000 | 1   | SEALING WASHER               | DIN 7603 A22X27-CU      |
| 14   | F934201210140 | 1   | ADAPTER                      |                         |
| 16   | F119200090150 | 2   | HEXAGONAL HEAD BOLT<br>M6X12 | M6X12                   |



035675

Fendt

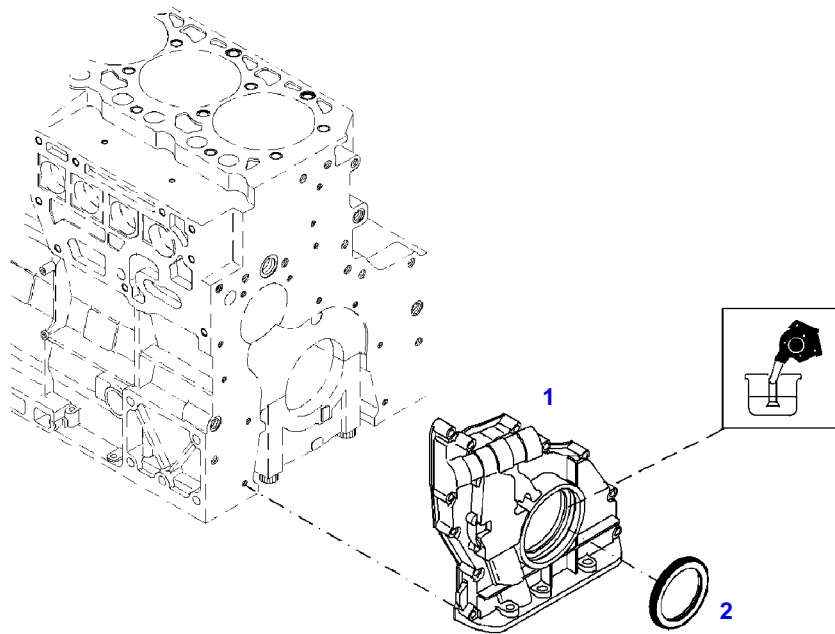
FENDT 930 S4 (NON SCR) (951/01001-05000) (WAM951XXX00F05001-99999)

F951003

CRANKCASE BREATHER

Page01-0011

| Item | Part Number   | Qty | Description<br>Comments | Technical Specification |
|------|---------------|-----|-------------------------|-------------------------|
|      |               |     | <b>BREATHER TUBE</b>    |                         |
| 1    | X458651300000 | 1   | HOSE CLIP               |                         |
| 2    | X591110000900 | 1   | HOSE                    | L=900 DIN73411-22X3,5 R |



041280

---

Fendt

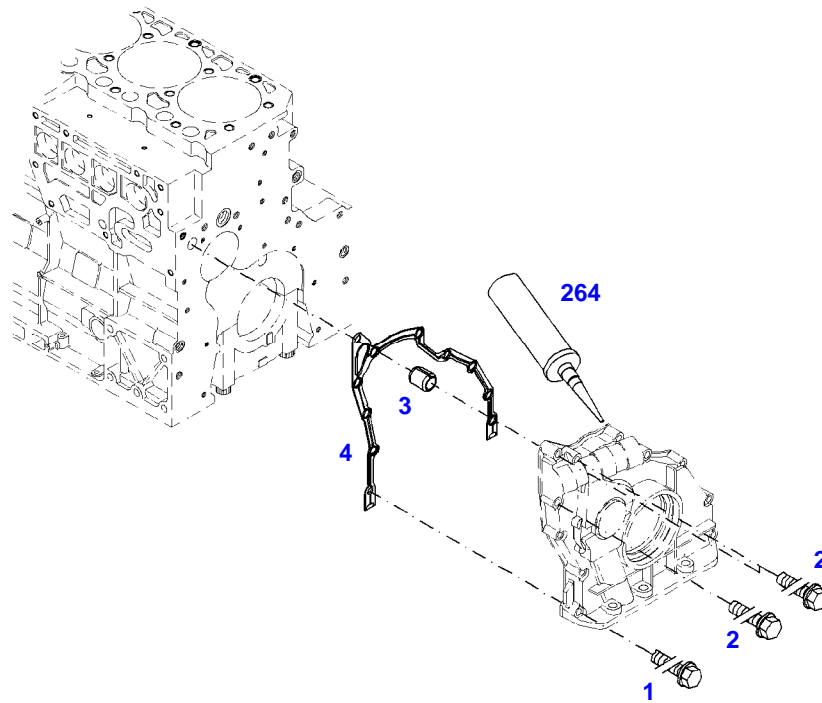
FENDT 930 S4 (NON SCR) (951/01001-05000) (WAM951XXX00F05001-99999)

F951003

FRONT COVER

Page01-0012

| Item | Part Number   | Qty | Description<br>Comments    |
|------|---------------|-----|----------------------------|
|      |               |     | <b>INTEGRATED OIL PUMP</b> |
| 1    | F946201210060 | 1   | CRANKCASE END COVER<br>><2 |
| 2    | F946201210070 | 1   | SHAFT SEAL                 |



040931

Fendt

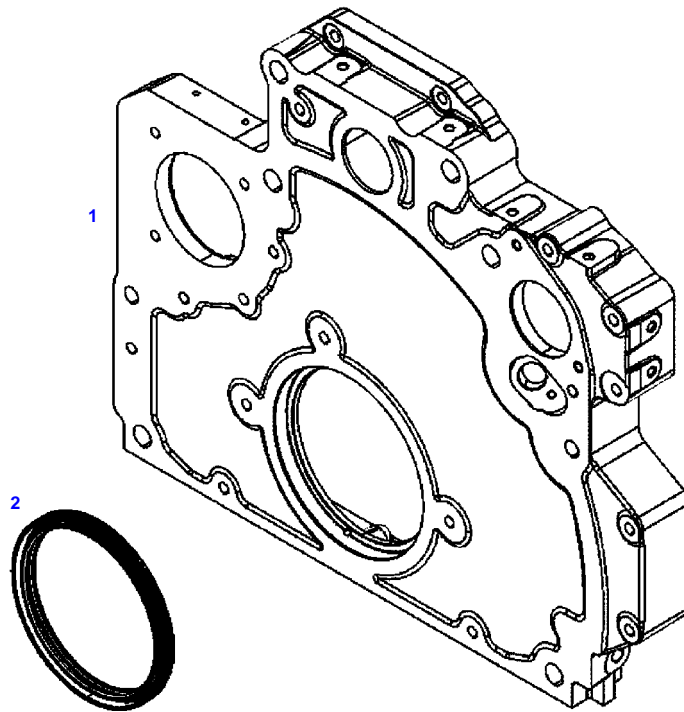
FENDT 930 S4 (NON SCR) (951/01001-05000) (WAM951XXX00F05001-99999)

F951003

FRONT COVER

Page01-0013

| Item              | Part Number   | Qty | Description<br>Comments      | Technical Specification |
|-------------------|---------------|-----|------------------------------|-------------------------|
| <b>FASTENINGS</b> |               |     |                              |                         |
| 1                 | F416200210030 | 8   | HEXAGONAL HEAD BOLT          | M8X35                   |
| 2                 | F934201210160 | 3   | HEXAGONAL HEAD BOLT<br>M8X70 |                         |
| 3                 | F119200210340 | 1   | TENSIONER BUSH               |                         |
| 4                 | F934201210170 | 1   | SEAL                         |                         |
| 264               | F934201210570 | 1   | SEALING COMPOUND             |                         |



050911

---

Fendt

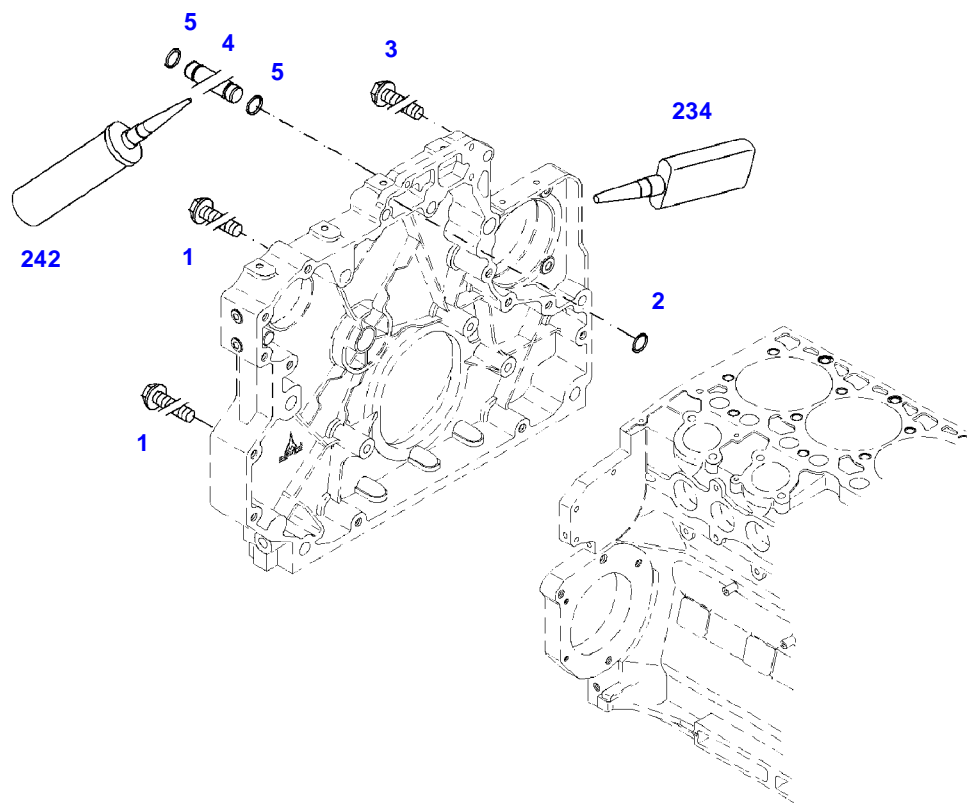
FENDT 930 S4 (NON SCR) (951/01001-05000) (WAM951XXX00F05001-99999)

F951003

GEARCASE

Page01-0014

| Item | Part Number   | Qty | Description<br>Comments |
|------|---------------|-----|-------------------------|
| 1    | F934201210840 | 1   | WHEEL BOX               |
| 2    | F946201210230 | 1   | SHAFT SEAL              |



041039

Fendt

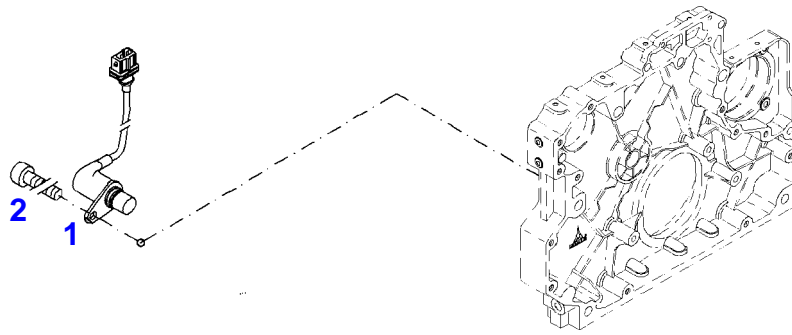
FENDT 930 S4 (NON SCR) (951/01001-05000) (WAM951XXX00F05001-99999)

F951003

GEARCASE

Page01-0015

| Item              | Part Number   | Qty | Description<br>Comments      | Technical Specification |
|-------------------|---------------|-----|------------------------------|-------------------------|
| <b>FASTENINGS</b> |               |     |                              |                         |
| 1                 | F119200210750 | 8   | HEXAGONAL HEAD BOLT<br>M8X65 |                         |
| 2                 | F002200710040 | 1   | SEAL<br>7X3MM                |                         |
| 3                 | F119200090080 | 2   | HEXAGONAL HEAD BOLT<br>M8X30 | M8X30                   |
| 4                 | F934201210190 | 1   | BOLT<br>><5                  |                         |
| 5                 | F934201210200 | 2   | SEAL<br>42X4MM               |                         |
| 234               | F119200210900 | 1   | SEALING COMPOUND             |                         |
| 242               | F119200040090 | 1   | INSTALLATION AIDS            |                         |



040932

Fendt

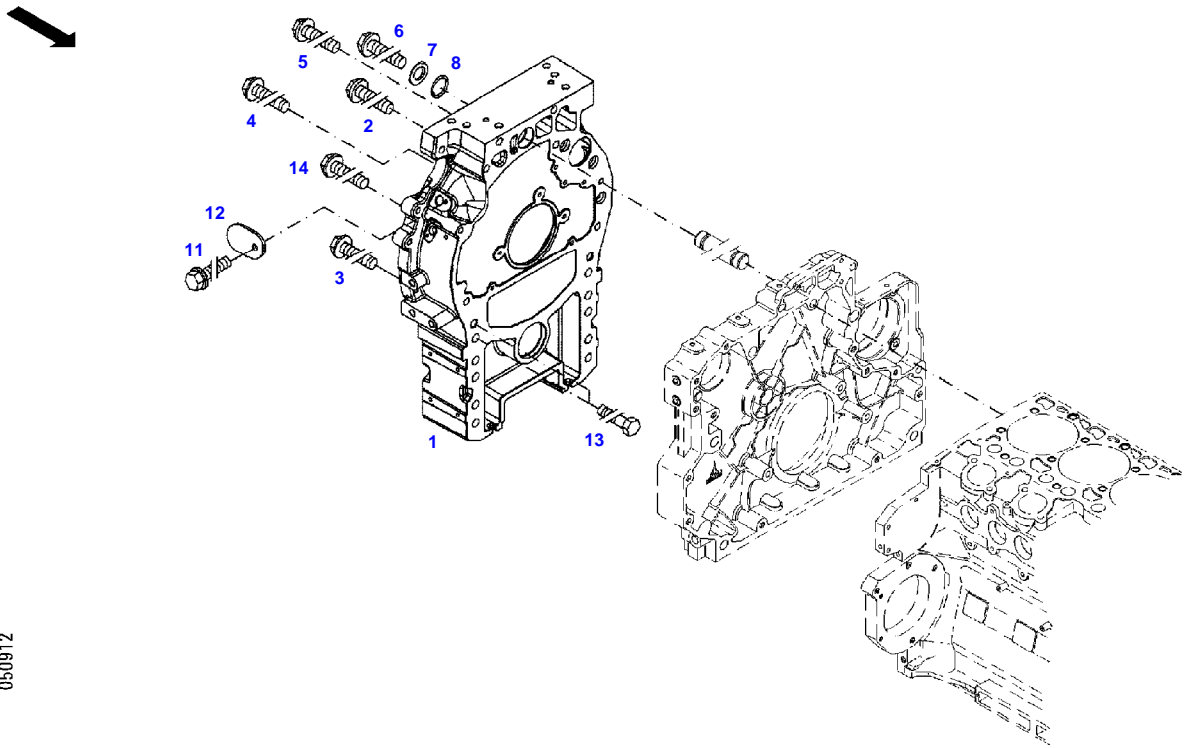
FENDT 930 S4 (NON SCR) (951/01001-05000) (WAM951XXX00F05001-99999)

F951003

IMPULSETRANSMITTER

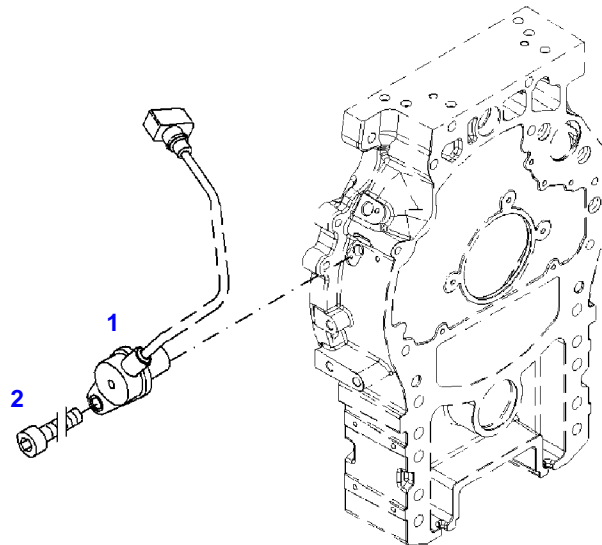
Page01-0016

| Item | Part Number   | Qty | Description<br>Comments          | Technical Specification |
|------|---------------|-----|----------------------------------|-------------------------|
|      |               |     | <b>CAM SHAFT</b>                 |                         |
| 1    | F934201210210 | 1   | ENGINE SPEED SENSOR<br>CAM SHAFT |                         |
| 2    | X485004405000 | 1   | SOCKET HEAD BOLT                 | DIN 912 M6X16-8.8       |



050912

| Item | Part Number   | Qty | Description<br>Comments            | Technical Specification |
|------|---------------|-----|------------------------------------|-------------------------|
| 1    | F934201210620 | 1   | CONNECTING HOUSING                 |                         |
| 2    | F934201210220 | 1   | HEXAGONAL HEAD BOLT<br>M16X200     |                         |
| 3    | F934201210230 | 3   | HEXAGONAL HEAD BOLT<br>M16X120     |                         |
| 4    | F934201210240 | 8   | HEXAGONAL HEAD BOLT<br>M8X70       |                         |
| 5    | F934201210250 | 1   | HEXAGONAL HEAD BOLT<br>M12X130     |                         |
| 6    | F934201210250 | 1   | HEXAGONAL HEAD BOLT<br>M16X1,5X180 |                         |
| 7    | F934201210310 | 1   | DISC                               |                         |
| 8    | F934201210270 | 1   | SEAL<br>16X4MM                     |                         |
| 11   | F004200210700 | 1   | HEXAGONAL HEAD BOLT<br>M8X16       |                         |
| 12   | F954200210060 | 1   | LID                                |                         |
| 13   | X486555301000 | 2   | HEXAGONAL HEAD BOLT                | DIN 931 M20X70-10.9     |
| 14   | F934201210290 | 1   | HEXAGONAL HEAD BOLT<br>M12X190     |                         |



040934

Fendt

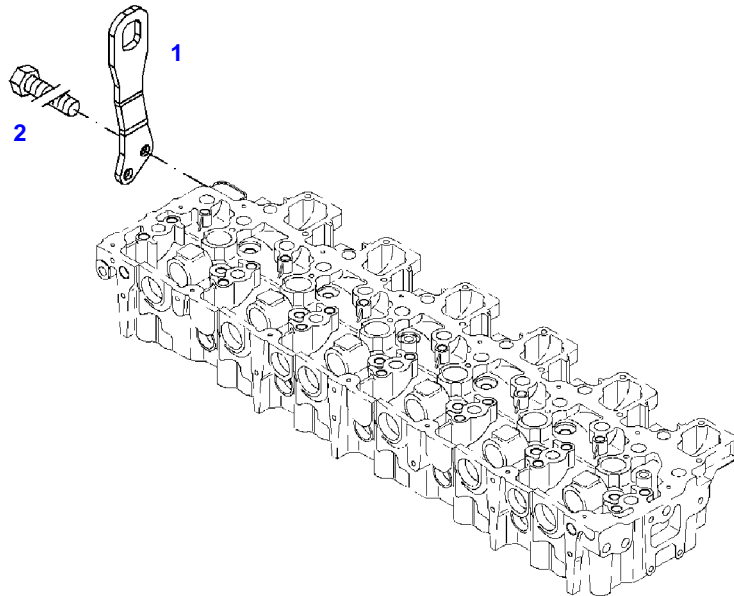
FENDT 930 S4 (NON SCR) (951/01001-05000) (WAM951XXX00F05001-99999)

F951003

IMPULSETRANSMITTER

Page01-0018

| Item | Part Number   | Qty | Description<br>Comments | Technical Specification |
|------|---------------|-----|-------------------------|-------------------------|
|      |               |     | FLYWHEEL                |                         |
| 1    | F339202210180 | 1   | TRANSMITTER<br>FLYWHEEL |                         |
| 2    | X485004405000 | 1   | SOCKET HEAD BOLT        | DIN 912 M6X16-8.8       |



041281

---

Fendt

FENDT 930 S4 (NON SCR) (951/01001-05000) (WAM951XXX00F05001-99999)

F951003

ENGINE MOUNTING

Page01-0019

| Item | Part Number   | Qty | Description<br>Comments       |
|------|---------------|-----|-------------------------------|
| 1    | F946201210090 | 1   | SUSPENSION PLATE              |
| 2    | F946201210080 | 2   | HEXAGONAL HEAD BOLT<br>M12X25 |



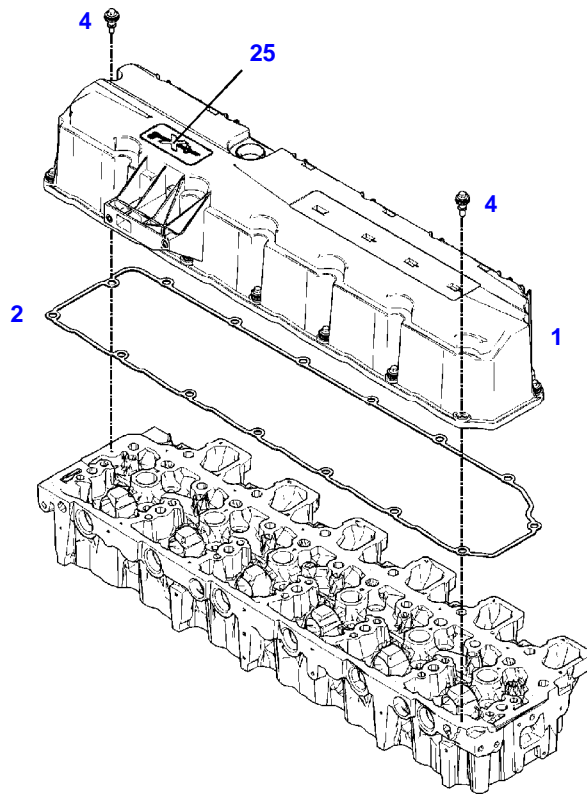
**Suggest:**

**For more complete manuals. Please go to the home page.**

**<https://www.ebooklibonline.com>**

**If the above button click is invalid. Please download this document first, and then click the above link to download the complete manual.**

**Thank you so much for reading**



041388

Fendt

FENDT 930 S4 (NON SCR) (951/01001-05000) (WAM951XXX00F05001-99999)

F951003

VALVE COVER

Page01-0020

| Item | Part Number   | Qty | Description<br>Comments |
|------|---------------|-----|-------------------------|
| 1    | F934201210790 | 1   | VALVE COVER<br>><2,4    |
| 2    | F934201210010 | 1   | SEAL                    |
| 4    | F934201210370 | 15  | SCREW                   |
| 25   |               | 1   | NO SPARE PART           |

**<https://www.ebooklibonline.com>**

Hello dear friend!

Thank you very much for reading.

Enter the link into your browser.

The full manual is available for immediate download.

**<https://www.ebooklibonline.com>**