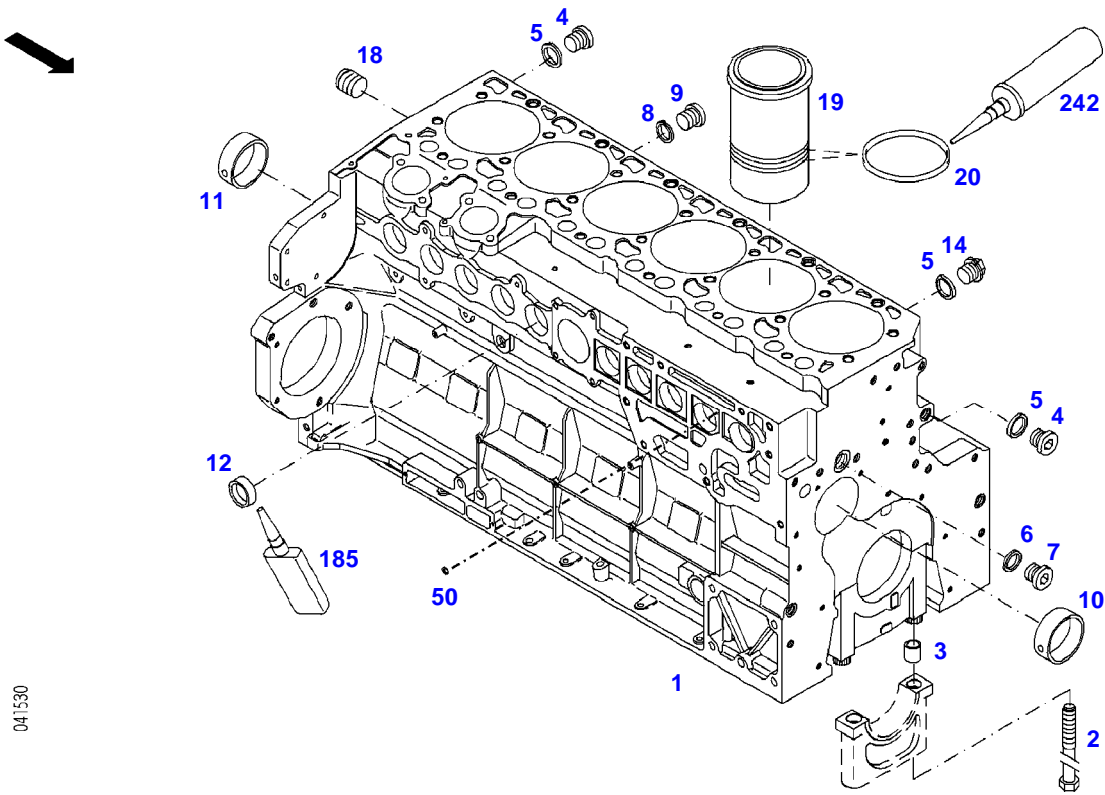


**TABLE OF CONTENT**

<b>Page Number</b>	<b>Page Title</b>	<b>Page Reference</b>
01-000-TOC	ENGINE, FUEL AND EXHAUST SYSTEM	01-000-TOC
02-000-TOC	AXLES	02-000-TOC
03-000-TOC	STEERING SYSTEM	03-000-TOC
04-000-TOC	DRIVE TRAIN SYSTEM	04-000-TOC
05-000-TOC	COMPRESSED AIR SYSTEM	05-000-TOC
06-000-TOC	HYDRAULIC SYSTEM	06-000-TOC
07-000-TOC	ELECTRICAL SYSTEM	07-000-TOC
08-000-TOC	CAB	08-000-TOC
09-000-TOC	AIR CONDITIONING AND HEATING SYSTEM	09-000-TOC
10-000-TOC	CHASSIS	10-000-TOC
11-000-TOC	WHEELS	11-000-TOC
12-000-TOC	IMPLEMENT LIFT SYSTEM FRONT	12-000-TOC
13-000-TOC	IMPLEMENT LIFT SYSTEM REAR	13-000-TOC
14-000-TOC	ACCESSORIES	14-000-TOC

FENDT 927NA (925/00101-99999)  
F41530



041530

Item	Part Number	Qty	Description Comments	Technical Specification
	72454879	1	ENGINE PLEASE ORDER WITH ENGINE NO. ONLY ! <-- 925/0101 --> 925/0200 <-- 925/1001 --> 925/3997	TCD2013L064V
	72456104	1	REMANUFACTURED ENGINE ENGINE EXCHANGE PLEASE ORDER WITH ENGINE NO. ONLY ! <-- 925/0101 --> 925/0200 <-- 925/1001 ENG.NO. --> 10862201	
	72604347	1	REMANUFACTURED SHORT BLOCK ENGINE <-- 925/0101 --> 925/0200 <-- 925/1001 ENG.NO. --> 10862201	
	72609455	1	REMANUFACTURED LONG BLOCK ENGINE  INCLUDING CYLINDER HEAD <-- 925/0101 --> 925/0200 <-- 925/1001 ENG.NO. --> 10862201	INCLUDING CYLINDER HEAD
	72494607	1	REMANUFACTURED ENGINE ENGINE EXCHANGE PLEASE ORDER WITH ENGINE NO. ONLY ! ENG.NO. <-- 10862202 --> 925/3997	
	72604351	1	REMANUFACTURED SHORT BLOCK ENGINE ENG.NO. <-- 10862202 --> 925/3997	
	72609457	1	REMANUFACTURED LONG BLOCK ENGINE  INCLUDING CYLINDER HEAD ENG.NO. <-- 10862202 --> 925/3997	INCLUDING CYLINDER HEAD
	72487635	1	ENGINE PLEASE ORDER WITH ENGINE NO. ONLY ! <-- 925/3998	TCD2013L064V
	72604351	1	REMANUFACTURED SHORT BLOCK ENGINE <-- 925/3998	
	72609457	1	REMANUFACTURED LONG BLOCK ENGINE  <-- 925/3998	INCLUDING CYLINDER HEAD
1	72474386	1	CRANKCASE ><2-12,14,18-20	
2	72451992	14	SCREW	
3	72451993	14	ADAPTER BUSH	
4	72315438	2	PLUG SCREW	DIN 908 M14X1,5-ST
5	72315094	3	SEALING WASHER	DIN 7603 A14X18-CU
6	72315101	1	SEALING WASHER	DIN 7603 A22X27-CU
7	72315442	1	PLUG	DIN 908 M22X1,5-ST
8	72315104	1	SEALING WASHER	DIN 7603 A26X31-CU
9	72373957	1	SCREW	DIN 908-M26X1,5-ST-A3L
10	72451995	6	BEARING BUSHING	
11	72451996	1	BEARING BUSHING	
12	72325325	10	CORE HOLE PLUG	
14	72315799	1	PLUG	DIN 7604 AM14X1,5-A3L

**<https://www.ebooklibonline.com>**

Hello dear friend!

Thank you very much for reading.

Enter the link into your browser.

The full manual is available for immediate download.

**<https://www.ebooklibonline.com>**

Fendt

FENDT 927NA (925/00101-99999)

F925105

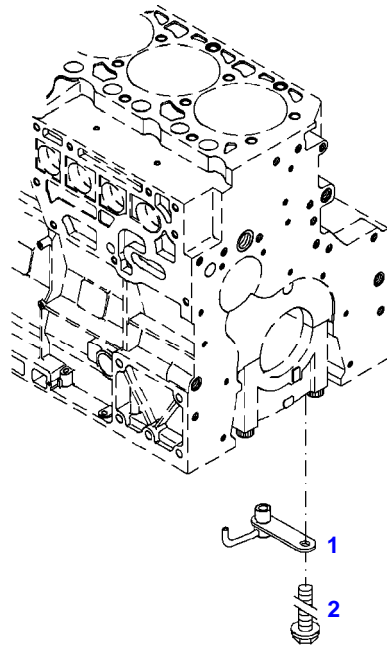
CRANKCASE

Page01-0001

Item	Part Number	Qty	Description Comments	Technical Specification
18	72416465	1	PLUG M22X1,5	
19	72451997	6	CYLINDER LINER ><20	
20	72415821	12	SEAL 112X3MM	
50	72614774	X	SEALING PLUG	4X4,5MM
185	72325403	1	SAFE.LOCK AGENT	
242	72325276	1	INSTALLATION AIDS	

FENDT 927NA (925/00101-99999)  
35631

---



035631

---

Fendt

FENDT 927NA (925/00101-99999)

F925105

CRANKCASE

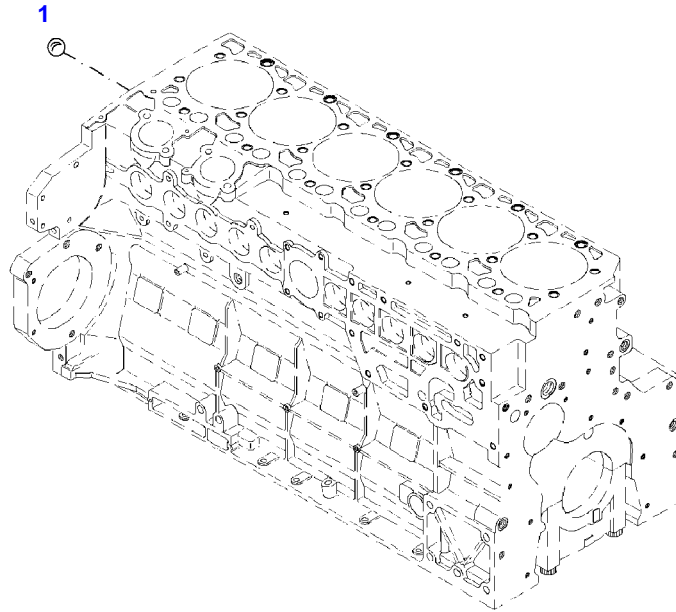
Page01-0002

---

Item	Part Number	Qty	Description Comments	Technical Specification
			<b>PISTON COOL.NOZZLE</b>	
1	72451998	6	PISTON COOLING JET	
2	72605244	6	HEXAGONAL HEAD BOLT M8X35	M8X35

FENDT 927NA (925/00101-99999)  
41038

---



041038

---

Fendt

FENDT 927NA (925/00101-99999)

F925105

CRANKCASE

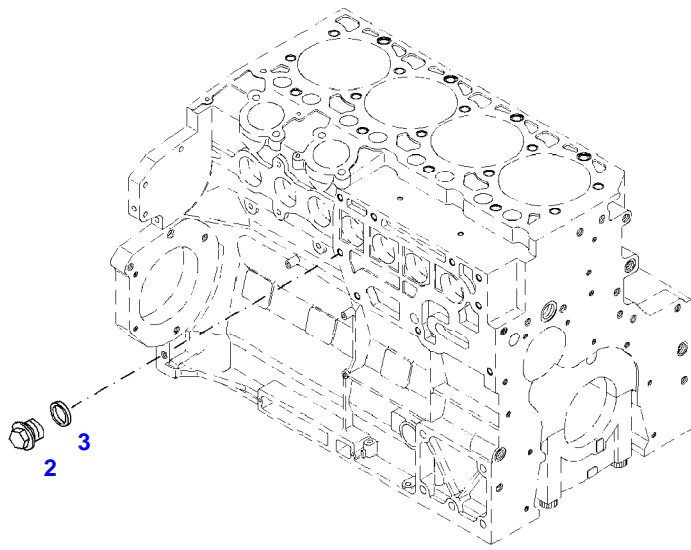
Page01-0003

---

Item	Part Number	Qty	Description Comments
			BLANKING PARTS ENGINE NUMBER <-- 10394585 --> 10433467
1	72439920	X	BALL

FENDT 927NA (925/00101-99999)  
35632

---



035632

---

Fendt

FENDT 927NA (925/00101-99999)

F925105

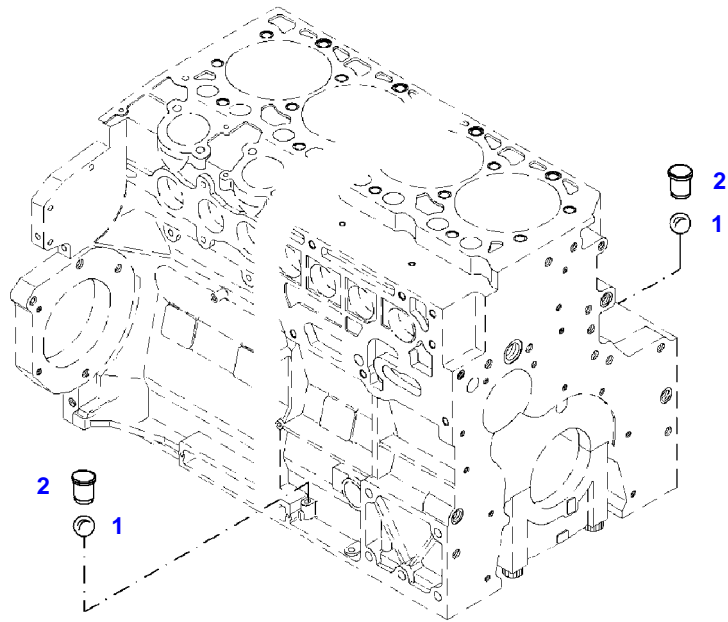
CRANKCASE

Page01-0004

---

Item	Part Number	Qty	Description Comments	Technical Specification
<b>BLANKING PARTS</b>				
2	72315799	1	PLUG	DIN 7604 AM14X1,5-A3L
3	72315094	1	SEALING WASHER	DIN 7603 A14X18-CU

FENDT 927NA (925/00101-99999)  
41229



041229

---

Fendt

FENDT 927NA (925/00101-99999)

F925105

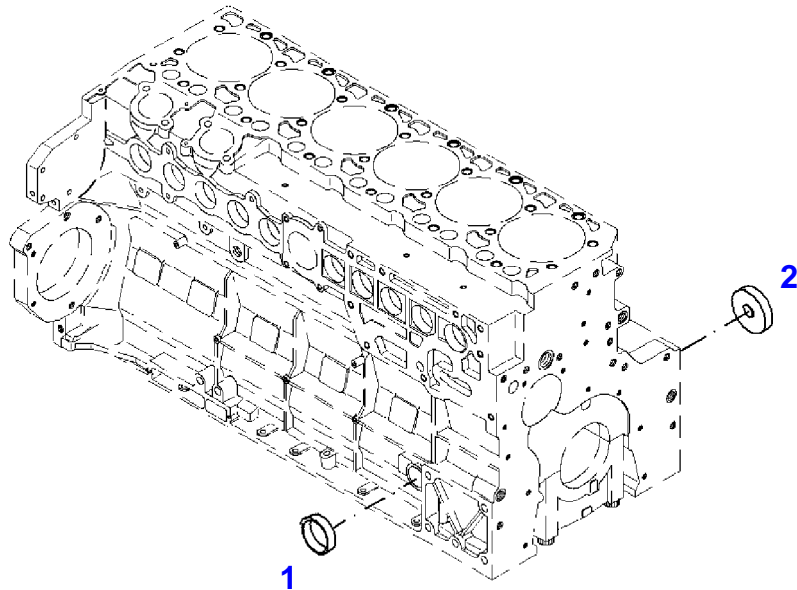
CRANKCASE

Page01-0005

---

Item	Part Number	Qty	Description Comments
			LOCKING PLUG
1	72484231	2	BALL
2	72611452	2	LOCKING PLUG

FENDT 927NA (925/00101-99999)  
40930



040930

---

Fendt

FENDT 927NA (925/00101-99999)

F925105

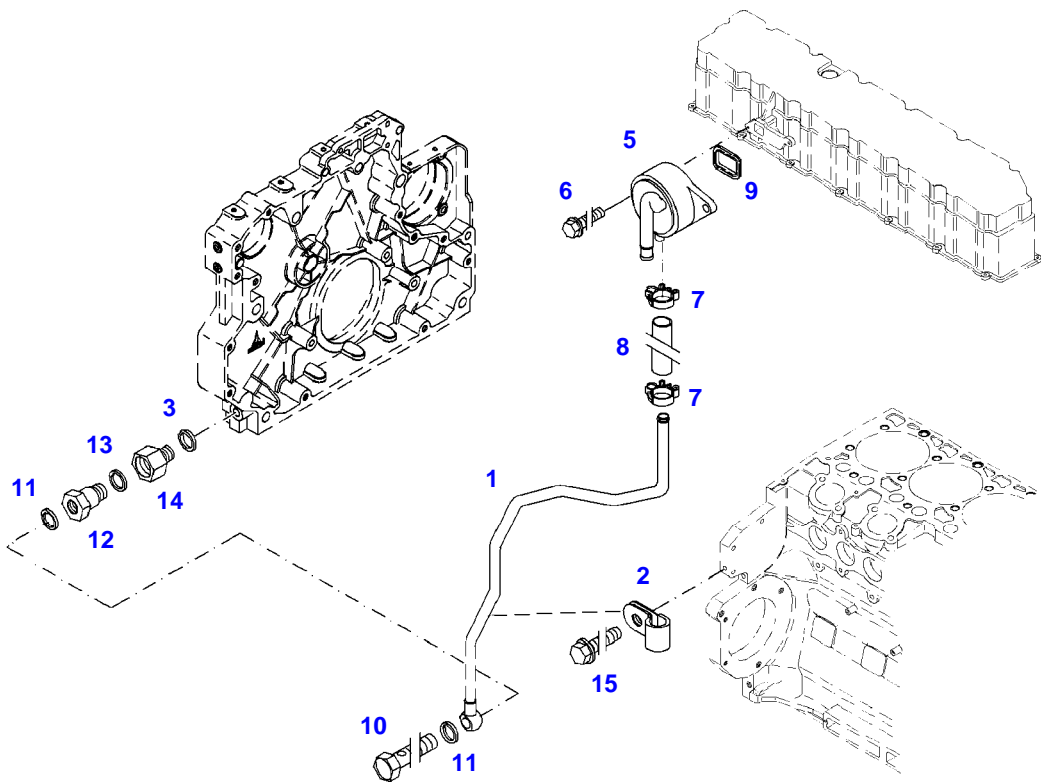
CRANKCASE

Page01-0006

---

Item	Part Number	Qty	Description Comments
			<b>BLANKING PARTS</b>
1	72327066	1	COVER
2	72437548	1	COVER

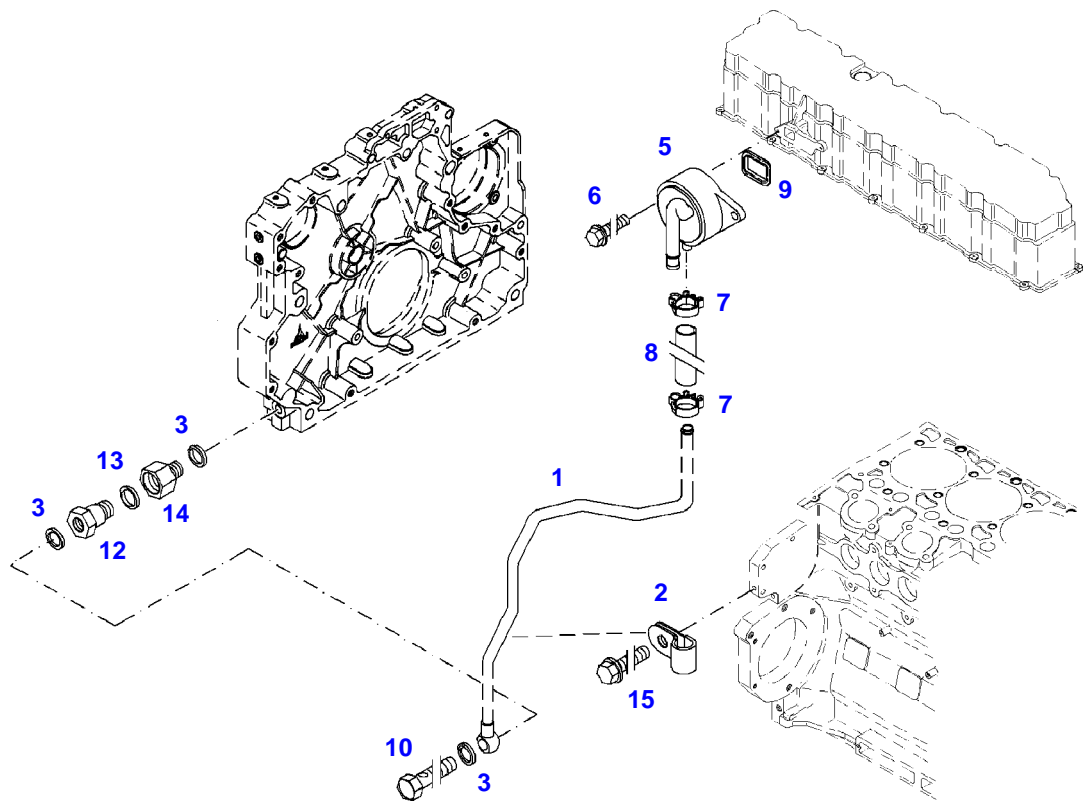
FENDT 927NA (925/00101-99999)  
40970



040970

Item	Part Number	Qty	Description Comments	Technical Specification
			<b>ENGINE NUMBER</b> --> 10343499	
1	72438755	1	RETURN LINE ><10,11 <>	
	72485771	1	LOCK VALVE	
2	72452000	1	PIPE CLAMP	
3	72315090	1	SEALING WASHER	DIN 7603 A12X15,5-CU
5	72437250	1	BREATHER ><9	
6	72325293	2	HEXAGONAL HEAD BOLT M8X30	M8X30
7	72325537	2	HOSE CLIP	
8	72452001	1	RUBBER HOSE	
9	72455795	1	SEAL	
10	72323517	1	BANJO BOLT	
11	72315092	2	SEALING WASHER	DIN 7603 A12X16-CU
12	72452002	1	CHECK VALVE <-- F946.201.210.140 1X <>	
	72438755	1	RETURN LINE	
13	72452003	1	SEALING WASHER	
14	72452004	1	ADAPTER	
15	72415878	1	HEXAGONAL HEAD BOLT M8X16	

FENDT 927NA (925/00101-99999)  
40971

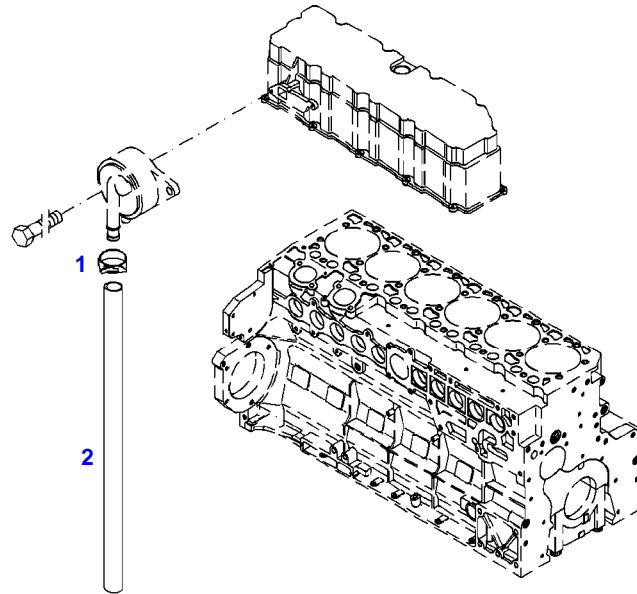


040971

Item	Part Number	Qty	Description Comments	Technical Specification
			<b>ENGINE NUMBER</b> <-- 10343500	
1	72438755	1	RETURN LINE ><2,3,10	
2	72454982	1	PIPE CLAMP	
3	72315090	3	SEALING WASHER	DIN 7603 A12X15,5-CU
5	72437250	1	BREATHER ><9	
6	72325293	2	HEXAGONAL HEAD BOLT M8X30	M8X30
7	72607524	2	HOSE CLIP	
8	72452001	1	RUBBER HOSE	
9	72455795	1	SEAL	
10	72323517	1	BANJO BOLT	
12	72485771	1	LOCK VALVE ><13,14	
13	72315101	1	SEALING WASHER	DIN 7603 A22X27-CU
14	72452004	1	ADAPTER	
15	72415878	1	HEXAGONAL HEAD BOLT M6X16	

FENDT 927NA (925/00101-99999)  
35675

---



035675

---

Fendt

FENDT 927NA (925/00101-99999)

F925105

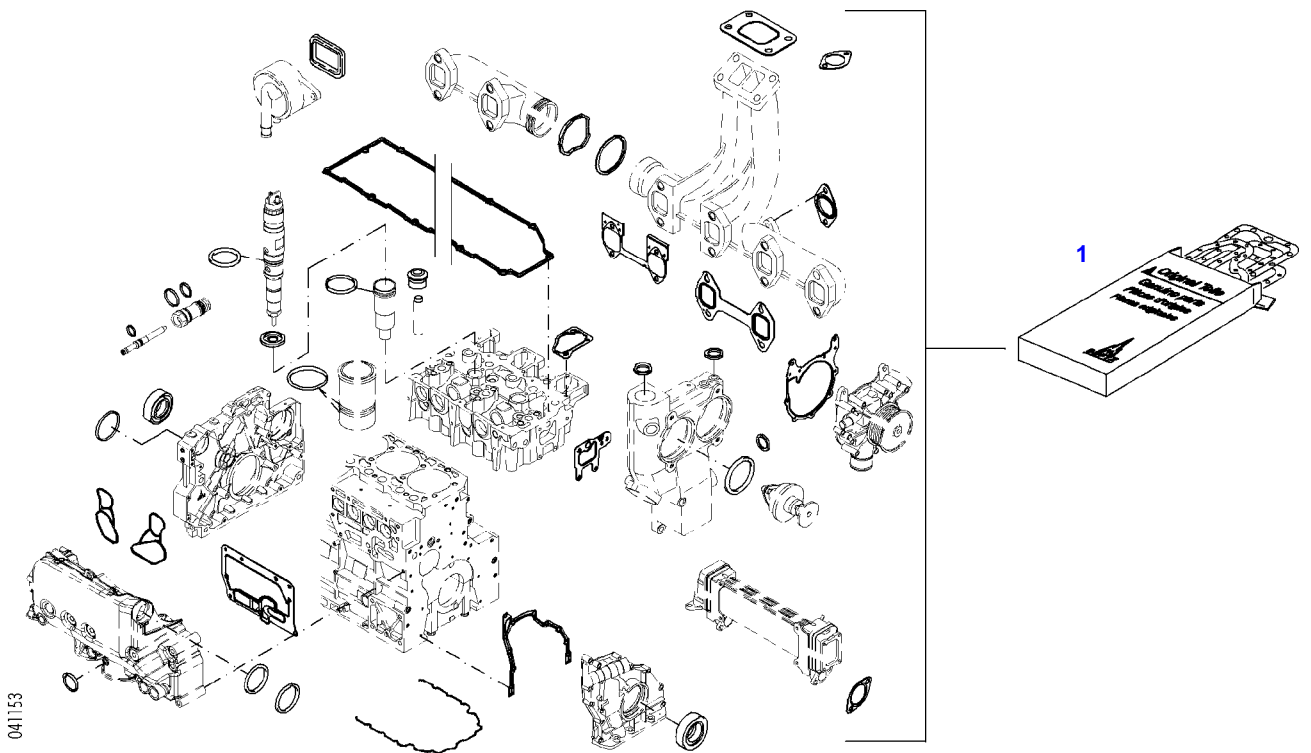
CRANKCASE BREATHER

Page01-0009

---

Item	Part Number	Qty	Description Comments	Technical Specification
			<b>BREATHER TUBE</b>	
1	72311167	1	HOSE CLIP	
2	72450415	1	HOSE	L=900 DIN73411-22X3,5 R

FENDT 927NA (925/00101-99999)  
41153



---

Fendt

FENDT 927NA (925/00101-99999)

F925105

SET OF GASKETS

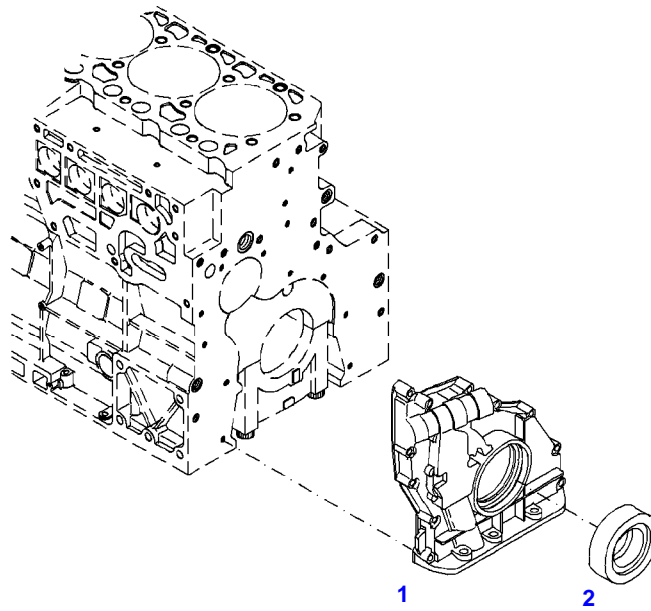
Page01-0010

---

Item	Part Number	Qty	Description Comments
			<b>ENGINE</b>
1	72452385	1	SEAL KIT WITHOUT CYLINDER HEAD GASKET

FENDT 927NA (925/00101-99999)  
35634

---



035634

---

Fendt

FENDT 927NA (925/00101-99999)

F925105

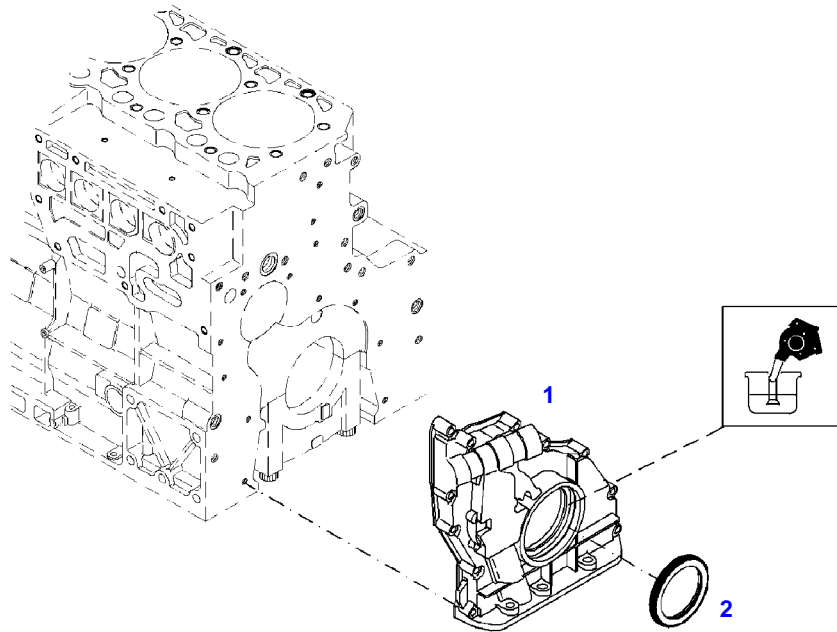
FRONT COVER

Page01-0011

---

Item	Part Number	Qty	Description Comments
			INTEGRATED OIL PUMP ENGINE NUMBER --> 10989249
1	72485249	1	CRANKCASE END COVER INTEGRATED OIL PUMP ><2
2	72485251	1	SHAFT SEAL

FENDT 927NA (925/00101-99999)  
41280



041280



**Suggest:**

**For more complete manuals. Please go to the home page.**

**<https://www.ebooklibonline.com>**

**If the above button click is invalid. Please download this document first, and then click the above link to download the complete manual.**

**Thank you so much for reading**

---

Fendt

FENDT 927NA (925/00101-99999)

F925105

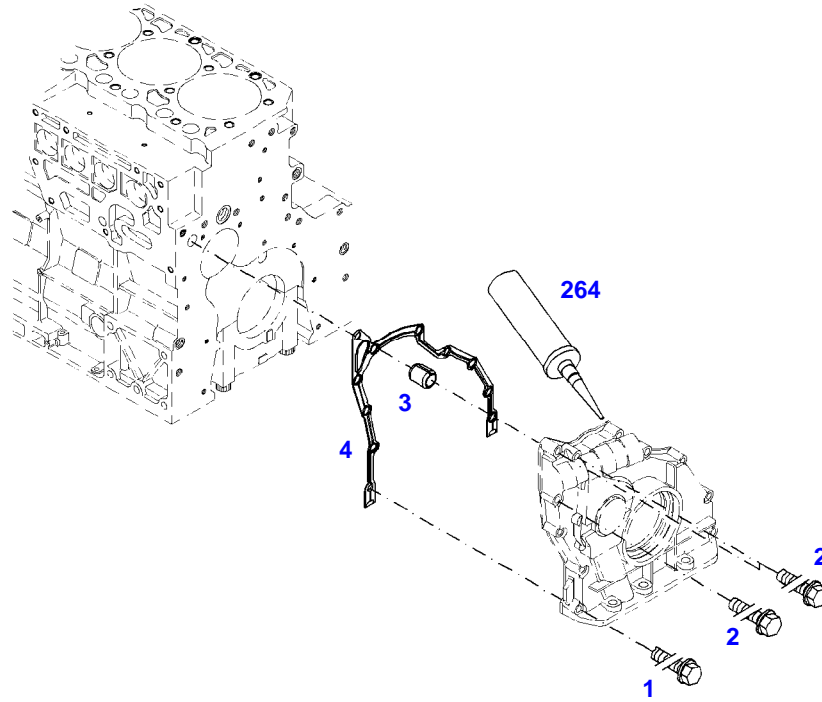
FRONT COVER

Page01-0012

---

Item	Part Number	Qty	Description Comments
			INTEGRATED OIL PUMP ENGINE NUMBER <-- 10989250
1	72485249	1	CRANKCASE END COVER ><2
2	72485251	1	SHAFT SEAL

FENDT 927NA (925/00101-99999)  
40931



040931

**<https://www.ebooklibonline.com>**

Hello dear friend!

Thank you very much for reading.

Enter the link into your browser.

The full manual is available for immediate download.

**<https://www.ebooklibonline.com>**